

LSSE3029BD

Black Stainless Steel Electric Slide-In Range
with Warming Drawer



ProBake Convection®

EasyClean®

Premium Black Stainless Steel Finish

Fingerprint and Smudge Resistant Exterior

6.3 cu. ft. Large Capacity

0.8 cu. ft. Warming Drawer

3200W Power Burner

Front-Tilt Control Display

Glass Touch Controls

2 Year Limited Warranty



TYPE	
Type	Electric Slide-In Range
CAPACITY	
Oven Capacity (cu. ft.)	6.3
Warming Drawer Capacity (cu. ft.)	0.8
OVEN FEATURES	
Broil Element (Watt)	Inner: 1,600W Outer: 2,400W
Convection (Watt)	2,500W
Convection Fan	Dual Speed (High/Low)
Convection System/Mode/Cooking System	ProBake Convection®
Oven Cooking Modes	Bake, Broil, Speed Broil, Convection Bake, Convection Roast, Speed Roast, Warm, Proof
Oven Control Features	Glass Touch
EasyClean®	•
Self Clean	• (3 hr. / 4 hr. / 5hr.)
Delay Clean	•
Delay Start	•
GoCook Smart Oven Light	•
No. of Racks	2 Heavy, 1 Gliding
No. of Rack Positions	7
Door Lock	•
Automatic Safety Shut-Off	After 12 hours
COOKTOP FEATURES	
Type	Radiant
No of Radiant Elements	5 (1 dual, 1 triple)
Element Size/Wattage	
Left Rear	6" - 1,200W
Right Rear	6" - 1,200W
Left Front (Dual Element)	9" 6" - 3,200W / 1,400W
Right Front (Triple Element)	12" 9" 6" - 3,000W / 2,200W / 1,100W
Center (Warming Zone)	7" - 100W
Cooktop Finish	Black Ceramic Glass
Hot Surface LED Indicator	Yes
DRAWER	
Capacity	0.8 cu. ft.
Type	Warming
Levels	3
Time Control	•
CONTROL	
Cooktop Control Type	Front Tilt-Control Knobs
Oven Control Type	Glass Touch
Display	VFD (White/Red)
Language	English
Clock	12 hr or 24 hr (option)
Kitchen Timer	•
Timed Cook	•

Temperature Unit of Measure	*F or *C
Cooking Complete Reminder Volume	1. High 2. Low 3. Mute
APPEARANCE	
Available Colors	Black Stainless Steel
Handle/Knobs	Black STS Finish (Aluminum)
Fingerprint & Smudge Resistant	Yes
Oven Door Feature	WideView™ Window
DIMENSIONS/CLEARANCES/WEIGHT	
Shipping Weight (lbs)	216.1
Product Weight (lbs)	165.6
Cabinet Width (in)	30"
Overall Depth (in) - including handle	28 15/16"
Overall Height (in)	37 1/10"
Overall Width (in)	29 15/16"
Oven Interior Dimensions (in) (W x H x D)	24 13/16" x 21 5/16" x 19 3/4"
Height to Cooking Surface (in)	36"
Carton Dimensions (in) (W x H x D)	32 1/2" x 45 1/2" x 30 1/2"
POWER/RATINGS	
Amp Rating at 208V	50.5A
Amp Rating at 240V	56.3A
KW Rating at 208V	10.5kW
KW Rating at 240V	13.5kW
ACCESSORIES	
Standard Rack	2
Gliding Rack	1
Cleaning Pad	No
Spray Bottle	Yes
Scouring Pad	Yes
Scraper	No
Cooktop Cream / Cleaner	1
Cooktop Sponge	Yes
WARRANTY	
Limited Warranty	2 Year Parts & Labor
UPC CODES	
LSSE3029BD (Black Stainless Steel)	048232 337006

LSSE3026ST

Electric Slide-In Range with Warming Drawer



QUICK INSTALL & CLEARANCES

For full installation directions/clearances please refer to the corresponding User Manual and Installation Guide.

DIMENSIONS / CLEARANCES	
Cabinet Width (in)	30"
Overall Depth (in) - including handle	28 15/16"
Overall Height (in)	37 1/10"
Overall Width (in)	29 15/16"
Oven Interior Dimensions (in) (W x H x D)	24 13/16" x 21 5/16" x 19 3/4"
Height to Cooking Surface (in)	36"
Carton Dimensions (in) (W x H x D)	32 1/2" x 45 1/2" x 30 1/2"
POWER/RATINGS	
Amp Rating at 208V	50.5A
Amp Rating at 240V	56.3A
KW Rating at 208V	10.5kW
KW Rating at 240V	13.5kW

ELECTRICAL REQUIREMENTS

- **This appliance must be installed and grounded on a branch circuit by a qualified technician in accordance with the National Electrical code ANSI/NFPA NO. 70 - latest edition.**
- All wiring should conform to Local and NEC codes. This range requires a single-phase, 3 wire, A.C 120/208 V or 120/240 V 60 Hz electrical system. Use only a 3-conductor or a 4-conductor UL - listed range cord with closed-loop terminals, open-end spade lugs with upturned ends or similar termination. Do not install the power cord without a strain relief.
- A range cord rated at 40 amps with 120/240 minimum volt range is required. If a 50 amp range cord is used, it should be marked for use with 13/8" diameter connection openings. This appliance may be connected by means of a conduit or power cord. If a conduit is being used, check the Owners Manual for 3 wire conduit connections or 4 wire conduit connections.

Specified power-supply-cord kit rating

Range rating, watts		Specified rating of power supply-cord kit, amperes	Diameter (inches) of Range connection Opening	
120/240 volts 3-wire	120/208 volts 3-wire		Power cord	Conduit
8,750 - 16,500	7,801 - 12,500	40 or 50A	1 3/8"	1 1/8"
16,501 - 22,500	12,501 - 18,500		1 3/4"	1 3/8"



4 Wire receptacle (14-50R)

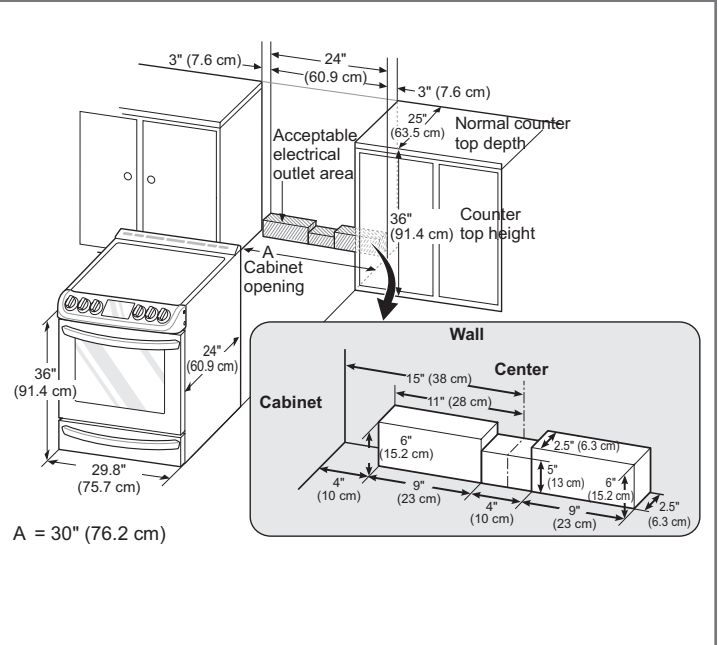


3 Wire receptacle (10-50R)

WARNING

- Allow 2 to 3 ft (61.0 cm to 91.4 cm) of slack in the line so that the range can be moved if servicing is ever necessary.
- The power supply cord and plug should not be modified. If it will not fit the outlet, have a proper outlet installed by a qualified electrician.
- Using an extension cord to connect the power is prohibited. Connect the power cord and plug directly.
- Electrical ground is required on this appliance.
- Make sure that the power cord is not pinched by the range or heavy objects. Failure to do so can result in serious burns or electrical shock.

DIMENSIONS AND CLEARANCES



MINIMUM DIMENSIONS

- * 30" (76.2 cm) minimum clearance between the top of the cooking surface and the bottom of an unprotected wood or metal cabinet; or 24" (60.9 cm) minimum when bottom of wood or metal cabinet is protected by not less than 1/4" (6.4 cm) flame retardant millboard covered with not less than no. 28 MSG sheet steel, 0.015" (0.381 mm) stainless steel, 0.024" (0.610 mm) aluminum or 0.020" (0.508mm) copper.
- ** 15" (38.1 cm) minimum between countertop and adjacent cabinet bottom.

