

LSSG3019BD

Black Stainless Steel Gas Slide-In Range
with Warming Drawer



ProBake Convection®

EasyClean®

Premium Black Stainless Steel Finish

Fingerprint and Smudge Resistant Exterior

6.3 cu. ft. Large Capacity

0.8 cu. ft. Warming Drawer

1 Brass Burner

18.5K BTU Power Burner

Front-Tilt Control Display

Glass Touch Controls

2 Year Limited Warranty



TYPE	
Type	Gas Slide-In Range
CAPACITY	
Oven Capacity (cu. ft.)	6.3
Warming Drawer Capacity (cu. ft.)	0.8
OVEN FEATURES	
Broil Element (BTU/h) (LNG/LPG)	15,200 / 12,500
Convection (BTU/h) (LNG/LPG)	19,000 / 17,000
Convection Fan	Dual Speed (High/Low)
Convection Conversion	•
Convection System/Mode/Cooking System	ProBake Convection®
Oven Cooking Modes	Bake, Broil, Convection Bake (Single/Multi-Rack), Convection Roast, Pizza, Delay Bake, Delay Clean, Proof, Warm
Oven Control Features	Glass Touch
EasyClean®	•
Self Clean	• (3 hr. / 4 hr. / 5hr.)
Delay Clean	•
Delay Start	•
GoCook Smart Oven Light	•
No. of Racks	2 Heavy, 1 Gliding
No. of Rack Positions	7
Door Lock	•
Automatic Safety Shut-Off	After 12 hours
COOKTOP FEATURES	
Type	Sealed Gas Burner
No of Burners	5 Total (1 Brass)
Fuel Type	Liquefied Natural Gas (LNG) / Liquid Propane Gas (LPG)
BTU/h (LNG/LPG)	
Left Rear	9,100 BTU / 9,100 BTU
Right Rear	5,000 BTU / 5,000 BTU
Left Front	12,000 BTU / 10,000 BTU
Right Front	18,500 BTU / 12,500 BTU
Center	10,000 BTU / 10,000 BTU (Single Oval)
Simmer BTU/h (LNG/LPG)	
Left Rear	1,100 BTU
Right Rear	650 BTU
Left Front	1,200 BTU
Right Front	1,330 BTU
Center	2,300 BTU
Grates	Continuous, Dishwasher Safe
No. of Grates	3
Knobs	Push & Turn
Hot Surface LED Indicator	No
DRAWER	
Capacity	0.8 cu. ft.

Type	Warming
Levels	3
Time Control	•
CONTROL	
Available Colors	Black Stainless Steel
Handle/Knobs	Black STS Finish (Aluminum)
Display	VFD (White/Red)
Language	English
Clock	12 hr or 24 hr (option)
Kitchen Timer	•
Timed Cook	•
Temperature Unit of Measure	°F or °C
Cooking Complete Reminder Volume	1. High 2. Low 3. Mute
APPEARANCE	
Available Colors	Stainless-Steel
Handle/Knobs	STS Finish (Aluminum)
Fingerprint & Smudge Resistant	Yes
Oven Door Feature	WideView™ Window
DIMENSIONS/CLEARANCES/WEIGHT	
Shipping Weight (lbs)	238.1
Product Weight (lbs)	170.6
Cabinet Width (in)	30"
Overall Depth (in) - including door	26 9/16"
Overall Depth (in) - including handle	28 15/16"
Overall Height (in)	37 1/10"
Overall Width (in)	29 7/8"
Oven Interior Dimensions (in) (W x H x D)	24 13/16" x 22" x 20"
Height to Cooking Surface (in)	36"
Warming Drawer Dimensions (W x H x D)	22 1/4" x 4 1/2" x 16 1/2"
Carton Dimensions (in) (W x H x D)	32 1/2" x 45 1/2" x 30 1/2"
POWER/RATINGS	
Amp Rating at 120V	8.66A
KW Rating at 120V	1,039 kW
ACCESSORIES	
Heavy Duty Rack	2
Drawer Rack	1
Gliding Rack	1
Spray Bottle	•
Scouring Pad	•
Scraper	•
Cooktop Sponge	•
WARRANTY	
Limited Warranty	2 Year Parts & Labor
UPC CODES	
LSSG3019BD (Black Stainless Steel)	048232 336993

LSSG3019BD

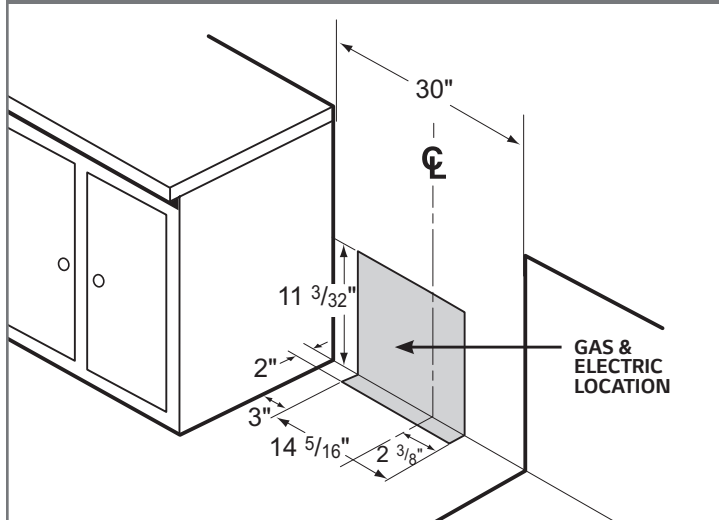
Black Stainless Steel Gas Slide-In Range
with Warming Drawer

QUICK INSTALL & CLEARANCES

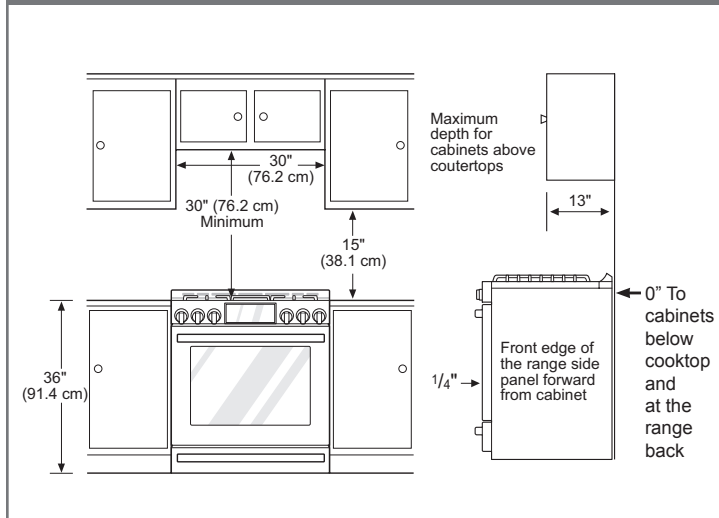
For full installation directions/clearances please refer to the corresponding User Manual and Installation Guide.

DIMENSIONS / CLEARANCES	
Cabinet Width (in)	30"
Overall Depth (in) - including handle	28 15/16"
Overall Height (in)	37 1/10"
Overall Width (in)	29 15/16"
Oven Interior Dimensions (in) (W x H x D)	24 13/16" x 21 5/16" x 19 3/4"
Height to Cooking Surface (in)	36"
Carton Dimensions (in) (W x H x D)	32 1/2" x 45 1/2" x 30 1/2"
POWER/RATINGS	
Amp Rating at 208V	50.5A
Amp Rating at 240V	56.3A
KW Rating at 208V	10.5kW
KW Rating at 240V	13.5kW

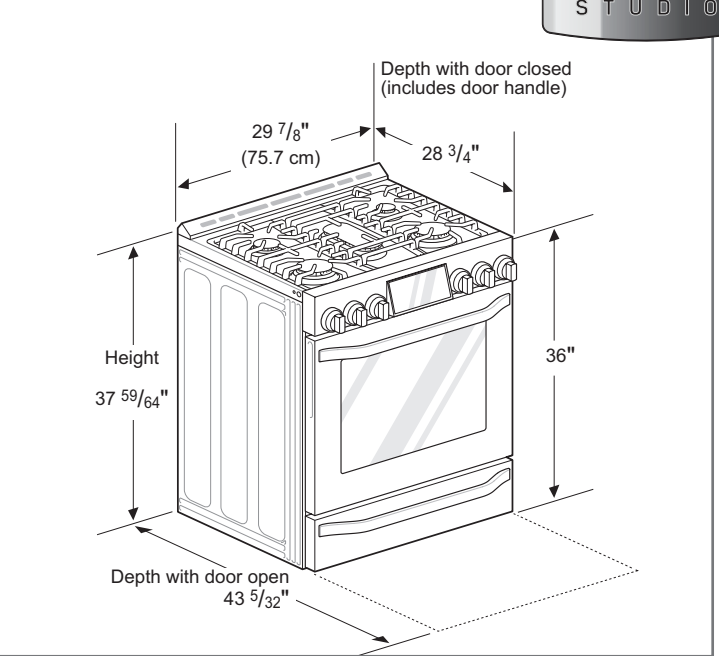
GAS PIPE AND ELECTRICAL OUTLET LOCATIONS



CLEARANCES

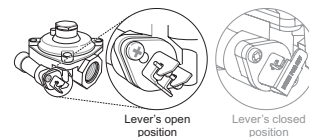


DIMENSIONS



CONNECTING THE RANGE TO GAS

- Shut off the range gas supply valve before removing the old range and leave it off until the new hook-up has been completed..
- Install a male 1/2" or 3/4" are union adapter to the NPT internal thread of the manual shut-off valve, taking care to back-up the shut-off valve to keep it from turning.
- Install a male 1/2" are union adapter to the 1/2" NPT internal thread at the inlet of the pressure regulator. Use a backup wrench on the pressure regulator fitting o prevent damage.
- Check that the gas pressure regulator valve is in the open position.



- Connect a fl xible metal appliance connector to the adapter on the range. Position the range to permit connection at the shut-off valve.
- When all connections have been made, be sure all range controls are in the OFF position and the pressure regulator valve is open before turning on the main gas supply valve. Gas leaks may occur in the system and create a hazard. Gas leaks may not be detected by smell alone. Check all gas connection joints and fittings for leaks with a non-corrosive leak detection fluid, then wipe ff.
- Gas suppliers recommend you purchase and install a UL approved gas detector. Install and use in accordance with the installation instructions.

ELECTRICAL REQUIREMENTS

- 120 Volt, 60 Hz, properly grounded dedicated circuit protected by a 15 or 20 Amp circuit breaker, or slow blow fuse.
- If an external electrical source is utilized, the appliance, when installed, must be electrically grounded in accordance with local codes or, in the absence of local codes, with the National Electrical Code, ANSI/NFPA 70.
- IMPORTANT: FOR PERSONAL SAFETY, THIS APPLIANCE MUST BE PROPERLY GROUNDED.

