
30" (76.2 CM) AND 36" (91.4 CM) RANGE HOOD

Installation Instructions and Use & Care Guide

For questions about features, operation/performance, parts, accessories or service, call: **1-800-253-1301**
or visit our website at **www.whirlpool.com**

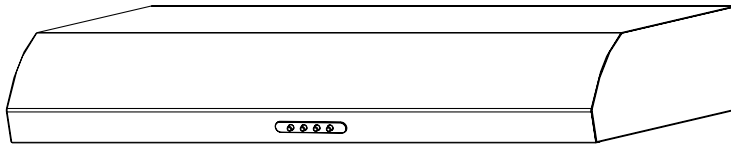
In Canada, call **1-800-807-6777** or visit our website at **www.whirlpool.ca**

HOTTE D'ASPIRATION DE 30" (76,2 CM) ET 36" (91,4 CM)

Instructions d'installation et Guide d'utilisation et d'entretien

Au Canada, pour assistance, installation ou service, composer
le **1-800-807-6777** ou visiter notre site Web à
www.whirlpool.ca

Table of Contents/Table des matières..... 2



**Models/Modèles:
UXT5230AY/UXT5236AY**

**IMPORTANT: READ AND SAVE THESE INSTRUCTIONS.
FOR RESIDENTIAL USE ONLY.**

**IMPORTANT : LIRE ET CONSERVER CES INSTRUCTIONS.
POUR UTILISATION RÉSIDENIELLE UNIQUEMENT.**

TABLE OF CONTENTS

RANGE HOOD SAFETY	2
INSTALLATION REQUIREMENTS	4
Tools and Parts	4
Location Requirements	4
Venting Requirements	5
Electrical Requirements	6
INSTALLATION INSTRUCTIONS	7
Prepare Location	7
Install Range Hood	9
Make Electrical Connection	11
Complete Installation	11
RANGE HOOD USE	12
Range Hood Controls	12
RANGE HOOD CARE	12
Cleaning	12
WIRING DIAGRAM	14
ASSISTANCE OR SERVICE	15
In the U.S.A.	15
In Canada	15
Accessories	15
WARRANTY	16

TABLE DES MATIÈRES

SÉCURITÉ DE LA HOTTE DE CUISINIÈRE	17
EXIGENCES D'INSTALLATION	19
Outils et pièces	19
Exigences d'emplacement	19
Exigences concernant l'évacuation	20
Spécifications électriques	22
INSTRUCTIONS D'INSTALLATION	22
Préparation de l'emplacement	22
Installation de la hotte	24
Raccordement électrique	27
Achever l'installation	27
UTILISATION DE LA HOTTE	28
Commandes de la hotte de cuisinière	28
ENTRETIEN DE LA HOTTE	28
Nettoyage	28
SCHÉMA DE CÂBLAGE	30
ASSISTANCE OU SERVICE	31
Au Canada	31
Accessoires	31
GARANTIE	31

RANGE HOOD SAFETY

Your safety and the safety of others are very important.

We have provided many important safety messages in this manual and on your appliance. Always read and obey all safety messages.



This is the safety alert symbol.

This symbol alerts you to potential hazards that can kill or hurt you and others.

All safety messages will follow the safety alert symbol and either the word "DANGER" or "WARNING."

These words mean:

⚠ DANGER

You can be killed or seriously injured if you don't immediately follow instructions.

⚠ WARNING

You can be killed or seriously injured if you don't follow instructions.

All safety messages will tell you what the potential hazard is, tell you how to reduce the chance of injury, and tell you what can happen if the instructions are not followed.

IMPORTANT SAFETY INSTRUCTIONS

WARNING: TO REDUCE THE RISK OF FIRE, ELECTRIC SHOCK, OR INJURY TO PERSONS, OBSERVE THE FOLLOWING:

- Use this unit only in the manner intended by the manufacturer. If you have questions, contact the manufacturer.
- Before servicing or cleaning the unit, switch power off at service panel and lock the service disconnecting means to prevent power from being switched on accidentally. When the service disconnecting means cannot be locked, securely fasten a prominent warning device, such as a tag, to the service panel.
- Installation work and electrical wiring must be done by qualified person(s) in accordance with all applicable codes and standards, including fire-rated construction.
- Do not operate any fan with a damaged cord or plug. Discard fan or return to an authorized service facility for examination and/or repair.
- Sufficient air is needed for proper combustion and exhausting of gases through the flue (chimney) of fuel burning equipment to prevent backdrafting. Follow the heating equipment manufacturer's guideline and safety standards such as those published by the National Fire Protection Association (NFPA), the American Society for Heating, Refrigeration and Air Conditioning Engineers (ASHRAE), and the local code authorities.
- When cutting or drilling into wall or ceiling; do not damage electrical wiring and other utilities.
- Ducted fans must always be vented outdoors.

CAUTION: For general ventilating use only. Do not use to exhaust hazardous or explosive materials and vapors.

CAUTION: To reduce risk of fire and to properly exhaust air, be sure to duct air outside - do not vent exhaust air into spaces within walls or ceilings, attics or into crawl spaces, or garages.

WARNING: TO REDUCE THE RISK OF FIRE, USE ONLY METAL DUCTWORK.

WARNING: TO REDUCE THE RISK OF A RANGE TOP GREASE FIRE:

- Never leave surface units unattended at high settings. Boilovers cause smoking and greasy spillovers that may ignite. Heat oils slowly on low or medium settings.
- Always turn hood ON when cooking at high heat or when flambeing food (i.e. Crepes Suzette, Cherries Jubilee, Peppercorn Beef Flambé).
- Clean ventilating fans frequently. Grease should not be allowed to accumulate on fan or filter.
- Use proper pan size. Always use cookware appropriate for the size of the surface element.

WARNING: TO REDUCE THE RISK OF INJURY TO PERSONS IN THE EVENT OF A RANGE TOP GREASE FIRE, OBSERVE THE FOLLOWING:^a

- SMOTHER FLAMES with a close fitting lid, cookie sheet, or metal tray, then turn off the burner. BE CAREFUL TO PREVENT BURNS. If the flames do not go out immediately, EVACUATE AND CALL THE FIRE DEPARTMENT.
- NEVER PICK UP A FLAMING PAN - you may be burned.
- DO NOT USE WATER, including wet dishcloths or towels - a violent steam explosion will result.
- Use an extinguisher ONLY if:
 - You know you have a class ABC extinguisher, and you already know how to operate it.
 - The fire is small and contained in the area where it started.
 - The fire department is being called.
 - You can fight the fire with your back to an exit.

^aBased on "Kitchen Fire Safety Tips" published by NFPA.

- **WARNING:** To reduce the risk of fire or electrical shock, do not use this fan with any solid-state speed control device.

READ AND SAVE THESE INSTRUCTIONS

INSTALLATION REQUIREMENTS

Tools and Parts

Gather the required tools and parts before starting installation. Read and follow the instructions provided with any tools listed here.

Tools needed

- Drill
- 1¼" (3.0 cm) drill bit
- ⅛" (3.0 mm) drill bit for pilot holes
- Pencil
- Wire stripper or utility knife
- Tape measure or ruler
- Caulking gun and weatherproof caulking compound
- Flat-blade screwdriver
- Phillips screwdriver
- Saber or keyhole saw
- Metal snips
- Compass or 8" (20.3 cm) circle template

Parts supplied

Remove parts from package. Check that all parts are included.

- 2 - 3.5 x 5 mm screws
- 3¼" x 10" (8.3 x 25.4 cm) rectangular damper
- T-10 Torx[†] adapter
- 4 - 4.5 x 13 mm mounting screws

Parts needed

- Wall or roof cap with damper to match vent system
- 3 - UL listed wire connectors
- Vent clamps/duct tape as required

For 7" (17.8 cm) round vented installations:

- 7" (17.8 cm) round metal vent system
- 7" (17.8 cm) round damper. For information on ordering, see the "Accessories" section.
- 7" (17.8 cm) round vent mounting plate. For information on ordering, see the "Accessories" section.

For 3¼" x 10" (8.3 x 25.4 cm) rectangular vented installations:

- 3¼" x 10" (8.3 x 25.4 cm) rectangular metal vent system

For non-vented (recirculation) installations:

- Charcoal filter kit. For information on ordering, see the "Accessories" section.

For cabinets with recessed bottoms:

- Two 2" (5.1 cm) wide filler strips. Length and thickness determined by recess dimensions.
- Four flat head wood screws or machine screws with washers and nuts (to attach filler strips).

Location Requirements

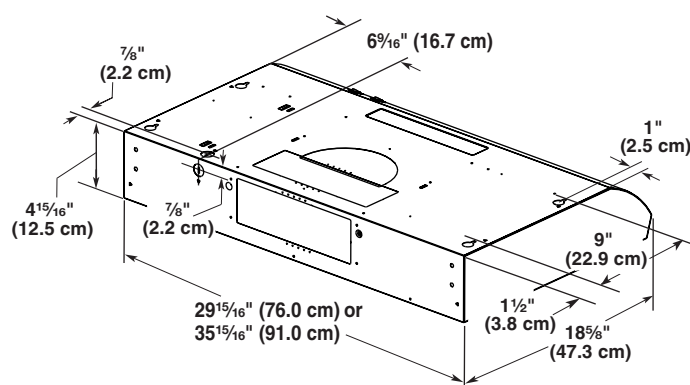
IMPORTANT: Observe all governing codes and ordinances.

- It is the installer's responsibility to comply with installation clearances specified on the model/serial rating plate. The model/serial rating plate is located inside the range hood on the left wall.
- Range hood location should be away from strong draft areas, such as windows, doors and strong heating vents.
- Cabinet opening dimensions that are shown must be used. Given dimensions provide minimum clearance. Consult the cooktop/range manufacturer installation instructions before making any cutouts.
- Grounded electrical outlet is required. See "Electrical Requirements" section.
- All openings in ceiling and wall where range hood will be installed must be sealed.
- These range hoods are factory set for vented installations. Models that are capable of being installed as non-vented (recirculating) require charcoal filters. See the "Accessories" section to order charcoal filter kit.

For Mobile Home Installations

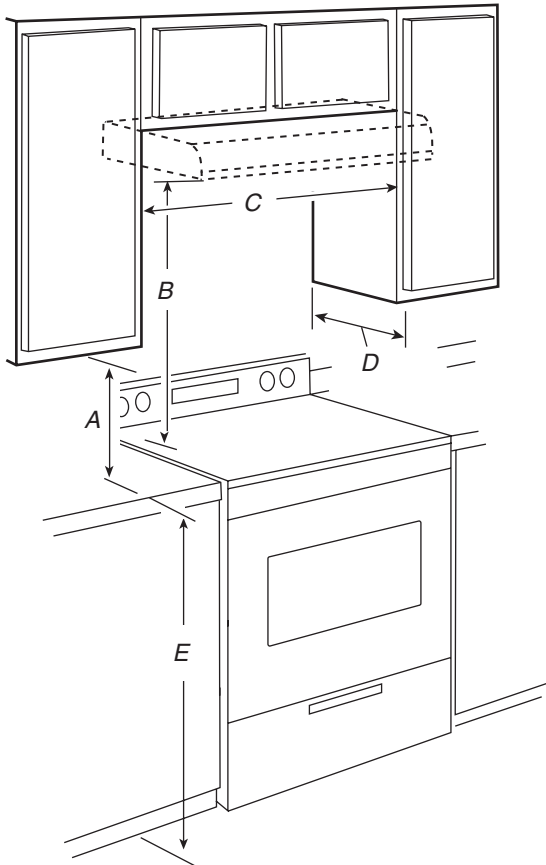
The installation of this range hood must conform to the Manufactured Home Construction Safety Standards, Title 24 CFR, Part 328 (formerly the Federal Standard for Mobile Home Construction and Safety, title 24, HUD, Part 280) or when such standard is not applicable, the standard for Manufactured Home Installation 1982 (Manufactured Home Sites, Communities and Setups) ANSI A225.1/NFPA 501A, or latest edition, or with local codes.

Product Dimensions



[†]®TORX is a registered trademark of Saturn Fasteners, Inc.

Installation Clearances



- A. 18" (45.7 cm) min. clearance - upper cabinet to countertop
- B. 24" (61.0 cm) to 30" (76.2 cm) suggested max. - bottom of range hood to cooking surface
- C. 30" (76.2 cm) min. cabinet opening width for 30" (76.2 cm) models and 36" (91.4 cm) min. cabinet width for 36" (91.4 cm) models.
- D. 13" (33.0 cm) cabinet depth
- E. 36" (91.4 cm) base cabinet height

Venting Requirements

- Vent system must terminate to the outdoors, except for non-vented (recirculating) installations.
- Do not terminate the vent system in an attic or other enclosed area.
- Do not use a 4" (10.2 cm) laundry-type wall cap.
- Use a 7" (17.8 cm) round metal vent or a 3¼" x 10" (8.3 x 25.4 cm) rectangular metal vent, depending on your installation requirement. Rigid metal vent is recommended. Plastic or metal foil vent is not recommended.
- The length of vent system and number of elbows should be kept to a minimum to provide efficient performance.

For the most efficient and quiet operation:

- Use no more than three 90° elbows.
- Make sure there is a minimum of 24" (61 cm) of straight vent between the elbows if more than 1 elbow is used.
- Do not install 2 elbows together.
- Use clamps or duct tape to seal all joints in the vent system.
- The vent system must have a damper. If roof or wall cap has a damper, do not use damper supplied with the range hood.
- Use caulking to seal exterior wall or roof opening around the cap.

Cold Weather Installations

An additional back draft damper should be installed to minimize backward cold air flow and a thermal break should be installed to minimize conduction of outside temperatures as part of the vent system. The damper should be on the cold air side of the thermal break.

The break should be as close as possible to where the vent system enters the heated portion of the house.

Makeup Air

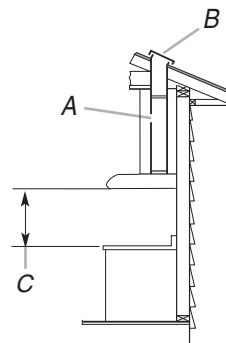
Local building codes may require the use of makeup air systems when using ventilation systems greater than specified CFM of air movement. The specified CFM varies from locale to locale. Consult your HVAC professional for specific requirements in your area.

Venting Methods

Vent system can terminate either through the roof or wall. Use 3¼" x 10" (8.3 x 25.4 cm) rectangular with a maximum vent length of 35 ft (10.7 m) or 7" (17.8 cm) or larger round vent with a maximum length of 50 ft (15.2 m) for vent system.

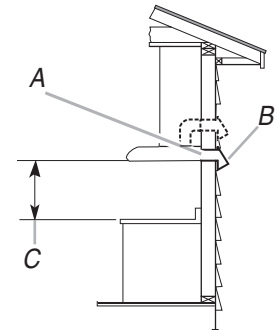
NOTE: Flexible vent is not recommended. Flexible vent creates both back pressure and air turbulence that greatly reduce performance.

Roof Venting



- A. 7" (17.8 cm) round vent through roof (purchased separately). 3¼" x 10" (8.3 x 25.4 cm) rectangular vent through the roof (purchased separately).
- B. Roof cap with damper (purchased separately)
- C. 24" (61.0 cm) min. to 30" (76.2 cm) max. above the cooking surface

Wall Venting





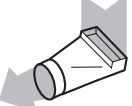


- A. 7" (17.8 cm) round vent out the top and through the wall (purchased separately). 3¼" x 10" (8.3 x 25.4 cm) rectangular vent through the wall or out the top (purchased separately).
- B. Wall cap with damper (purchased separately)
- C. 24" (61.0 cm) min. to 30" (76.2 cm) max. above the cooking surface

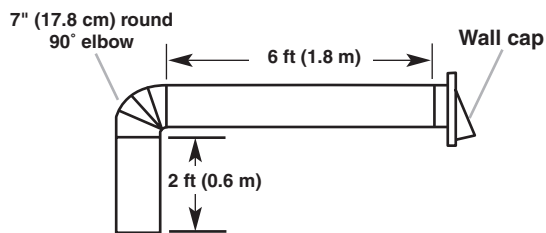
Calculating Vent System Length

To calculate the length of the system you need, add the equivalent feet (meters) for each vent piece used in the system.

7" (17.8 cm) Round Vent System

Vent Piece	Round	
45° elbow	2.5 ft (0.8 m)	
90° elbow	5.0 ft (1.5 m)	
7" (17.8 cm) wall cap	0.0 ft (0.0 m)	
3/4" x 10" (8.3 cm x 25.4 cm) to 7" (17.8 cm)	4.5 ft (1.4 m)	
3/4" x 10" (8.3 cm x 25.4 cm) to 7" (17.8 cm) 90° elbow	5.0 ft (1.5 m)	


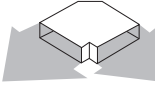

Example vent system



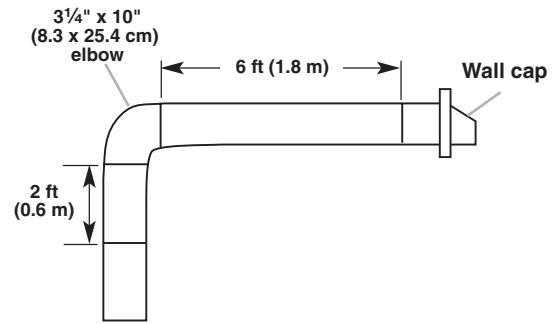
Maximum Recommended Length = 50 ft (15.2 m)

1 - 90° elbow	= 5.0 ft (1.5 m)
1 - wall cap	= 0.0 ft (0.0 m)
8 ft (2.4 m) straight	= 8.0 ft (2.4 m)
Length of 7" (17.8 cm) system	= 13.0 ft (3.9 m)

3/4" x 10" (8.3 cm x 25.4 cm) Vent System

Vent Piece		
3/4" x 10" (8.3 cm x 25.4 cm) 90° elbow	5.0 ft (1.5 m)	
3/4" x 10" (8.3 cm x 25.4 cm) flat elbow	12.0 ft (3.7 m)	
3/4" x 10" (8.3 cm x 25.4 cm) wall cap	0.0 ft (0.0 m)	

Example vent system



Maximum Recommended Length = 35 ft (10.7 m)

1 - 90° elbow	= 5.0 ft (1.5 m)
8 ft (2.4 m) straight	= 8.0 ft (2.4 m)
1 - wall cap	= 0.0 ft (0.0 m)
Length of 3/4" x 10" (8.3 cm x 25.4 cm) system	= 13.0 ft (3.9 m)

Electrical Requirements

Observe all governing codes and ordinances.

Ensure that the electrical installation is adequate and in conformance with National Electrical Code, ANSI/NFPA 70 (latest edition), or CSA Standards C22.1-94, Canadian Electrical Code, Part 1 and C22.2 No. 0-M91 (latest edition) and all local codes and ordinances.

If codes permit and a separate ground wire is used, it is recommended that a qualified electrician determine that the ground path is adequate.

A copy of the above code standards can be obtained from:

National Fire Protection Association
One Batterymarch Park
Quincy, MA 02269
CSA International
8501 East Pleasant Valley Road
Cleveland, OH 44131-5575

- A 120 volt, 60 Hz., AC only, 15-amp, fused electrical circuit is required.
- If the house has aluminum wiring, follow the procedure below:
 1. Connect a section of solid copper wire to the pigtail leads.
 2. Connect the aluminum wiring to the added section of copper wire using special connectors and/or tools designed and UL listed for joining copper to aluminum.
- Follow the electrical connector manufacturer's recommended procedure. Aluminum/copper connection must conform with local codes and industry accepted wiring practices.
- Wire sizes and connections must conform with the rating of the appliance as specified on the model/serial rating plate. The model/serial plate is located behind the filter on the rear wall of the range hood.
- Wire sizes must conform to the requirements of the National Electrical Code, ANSI/NFPA 70 (latest edition), or CSA Standards C22.1-94, Canadian Electrical Code, Part 1 and C22.2 No. 0-M91 (latest edition) and all local codes and ordinances.

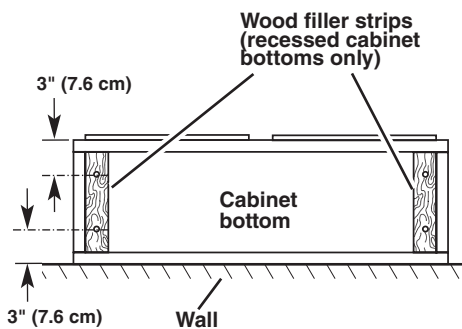
INSTALLATION INSTRUCTIONS

Prepare Location

NOTE: It is recommended that the vent system be installed before hood is installed.

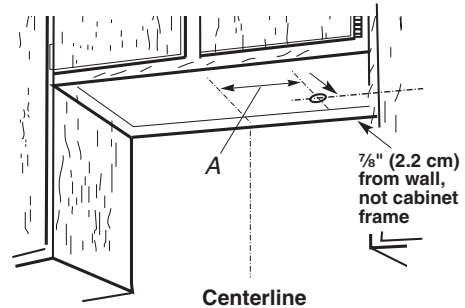
Before making cutouts, make sure there is proper clearance within the ceiling or wall for exhaust vent.

1. Disconnect power.
2. Depending on your model, determine which venting method to use: roof, wall or non-vented (recirculating).
3. Select a flat surface for assembling the range hood. Place covering over that surface.
4. Lift the range hood and set it upside down onto covered surface.
5. If cabinet has recessed bottom, add wood filler strips on each side. Install screws to attach filler strips in locations shown.



To wire through top:

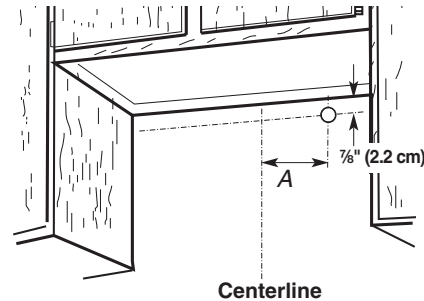
1. Mark a line distance "A" from the right of the centerline on the underside of the cabinet. Mark the point on this line that is $\frac{7}{8}$ " (2.2 cm) from back wall. Drill a $1\frac{1}{4}$ " (3.2 cm) diameter hole through the cabinet at this point.



A. $8\frac{3}{8}$ " (21.3 cm) for 30" (76.2 cm) models
 $11\frac{3}{8}$ " (28.9 cm) for 36" (91.4 cm) models

To wire through wall:

1. Mark a line distance "A" from the right of the centerline on the underside of the wall. Mark the point on this line that is $\frac{7}{8}$ " (2.2 cm) from the underside of the cabinet. Drill a $1\frac{1}{4}$ " (3.2 cm) diameter hole through the rear wall at this point.

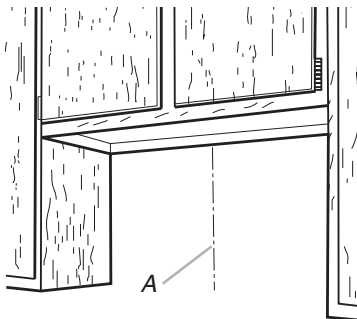


A. $8\frac{3}{8}$ " (21.3 cm) for 30" (76.2 cm) models
 $11\frac{3}{8}$ " (28.9 cm) for 36" (91.4 cm) models

Determine Wiring Hole Location

Cut only one $1\frac{1}{4}$ " (3.2 cm) diameter wiring access hole. See Step 2 for wiring hole location instructions.

1. Determine and clearly mark a vertical centerline on the wall and cabinet in the area the vent opening will be made.



A. Centerline

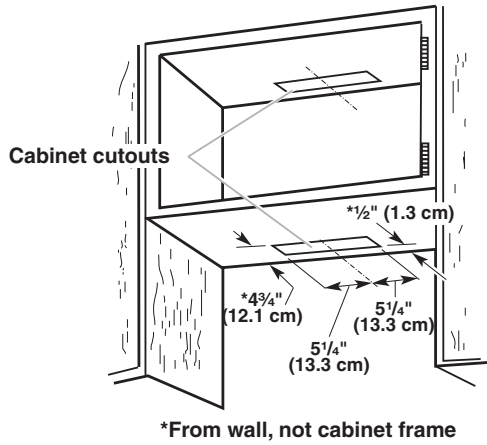
Style 1 - Cut Openings for $3\frac{1}{4}$ " x 10" (8.3 cm x 25.4 cm) Rectangular Vent System

Roof Venting

To make a $4\frac{1}{4}$ " x $10\frac{1}{2}$ " (10.8 cm x 26.7 cm) rectangular cutout on the underside of cabinet top and bottom:

1. Mark lines $\frac{1}{2}$ " (1.3 cm) and $4\frac{3}{4}$ " (12.1 cm) from the back wall on the centerline of the underside of cabinet.
2. Mark lines $5\frac{1}{4}$ " (13.3 cm) to the right and left of the centerline on the underside of cabinet.
3. Use saber or keyhole saw to cut a rectangular opening for vent.

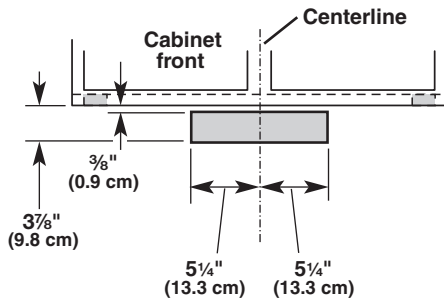
- Repeat steps 1-3 for the underside of the top of the cabinet.



Wall Venting

To make a $3\frac{1}{2}$ " x $10\frac{1}{2}$ " (8.9 cm x 26.7 cm) rectangle in the wall:

- Make 2 lines by measuring $\frac{3}{8}$ " (0.9 cm) and $3\frac{7}{8}$ " (9.8 cm) down from underside of cabinet and mark on the centerline on the back wall.
- Mark lines $5\frac{1}{4}$ " (13.3 cm) to the right and left of the centerline on the wall.
- Use saber or keyhole saw to cut a rectangular opening in the wall for the vent.

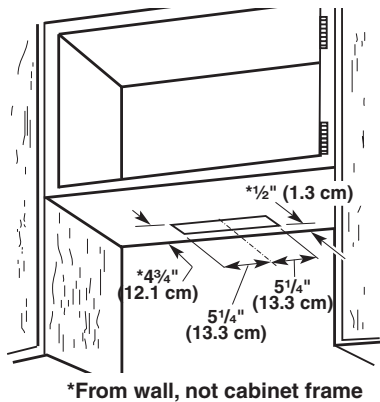


Style 2 - Cut Openings for $3\frac{1}{4}$ " x 10" (8.3 x 25.4 cm) Rectangular Vent to Round Vent Transition

Roof Venting

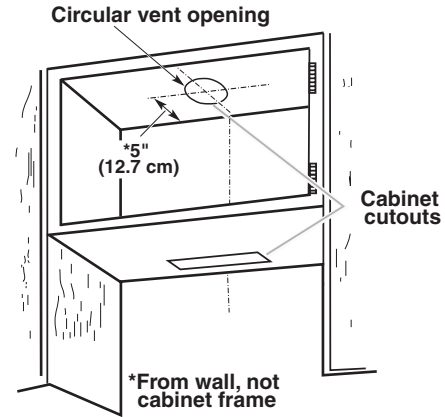
To make a $4\frac{1}{4}$ " x $10\frac{1}{2}$ " (10.8 cm x 26.7 cm) rectangular cutout on the underside of cabinet bottom:

- Mark lines $\frac{1}{2}$ " (1.3 cm) and $4\frac{3}{4}$ " (12.1 cm) from the back wall on the centerline of the underside of cabinet.
- Mark lines $5\frac{1}{4}$ " (13.3 cm) to the right and left of the centerline on the underside of cabinet.
- Use saber or keyhole saw to cut a rectangular opening for vent.



To make a circular vent opening on the underside of the cabinet top:

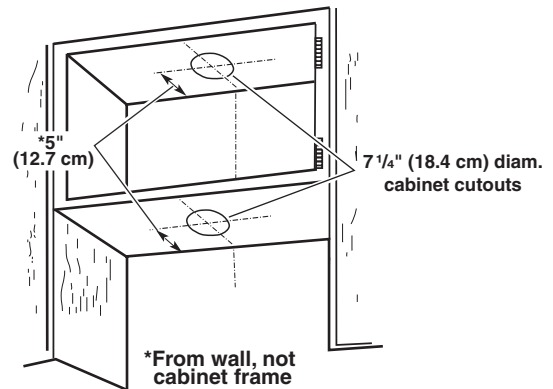
- Mark a centerline on the underside of the top of cabinet.
- Mark a line 5" (12.7 cm) from the back wall on the underside of the top of cabinet.
- Use a compass or a circle template to draw a circle with a diameter that is $\frac{1}{4}$ " (0.64 cm) larger than the vent.
- Use saber or keyhole saw to cut the circular vent opening.



Style 3 - Cut Openings for 7" (17.8 cm) Round Vent

To make a circular vent openings on the underside of the cabinet top and bottom:

- Mark a centerline on the underside of the top of cabinet.
- Mark a line 5" (12.7 cm) from the back wall on the underside of the top and bottom of cabinet.
- Use a compass or a circle template to draw a circle with a diameter that is $\frac{1}{4}$ " (0.64 cm) larger than the vent.
- Use saber or keyhole saw to cut the circular vent opening.

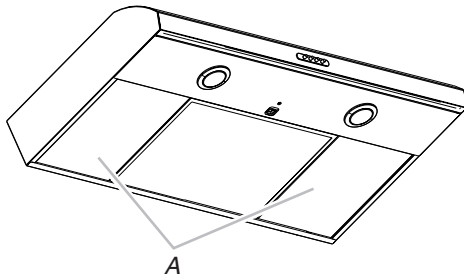


Install Vent System

- Install vent through the vent opening in upper cabinet or wall. Complete venting system according to the selected venting method. See "Venting Requirements" section.
- Use caulking to seal exterior wall or roof opening around the cap.

Install Range Hood

1. Remove metal grease filter. See the "Range Hood Care" section.
2. Remove the 2 bottom panels.

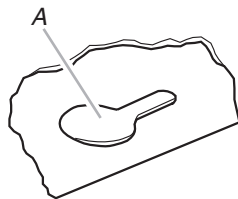


A. Bottom panels

- a. Push the panel toward the back of the range hood until the front tabs of the panel clear the front mounting flange.
- b. Pull down on the front of the panel and pull the panel away from the rear channel. Set panels aside.

NOTE: Your model will have a 3¼" x 10" (8.3 x 25.4 cm) rectangular vent damper on the inside your range hood.

3. Remove the 3¼" x 10" (8.3 x 25.4 cm) rectangular vent damper taped on the inside your range hood.
4. Lift the range hood up under cabinet and determine final location by centering beneath cabinet. Mark on the underside of cabinet the location of the 4 keyhole mounting slots on the range hood. Set range hood aside on a covered surface.



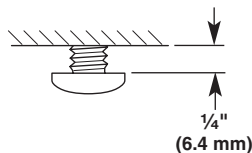
A. Keyhole slot

5. Use ⅛" (3 mm) drill bit and drill 4 pilot holes as shown.

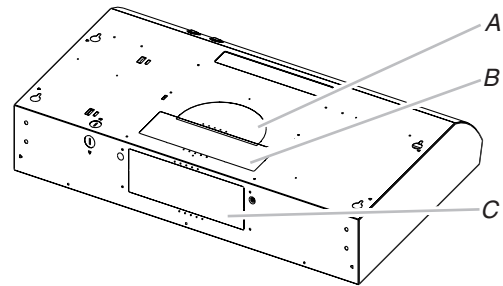


A. Drill pilot hole

6. Install the 4 - 4.5 mm x 13 mm mounting screws in pilot holes. Leave about ¼" (6.4 mm) space between screw heads and cabinet to slide range hood into place.



7. Remove vent knockouts depending on your installation requirements.



A. Round vent knockout
B. Top rectangular vent knockout
C. Rear rectangular vent knockout

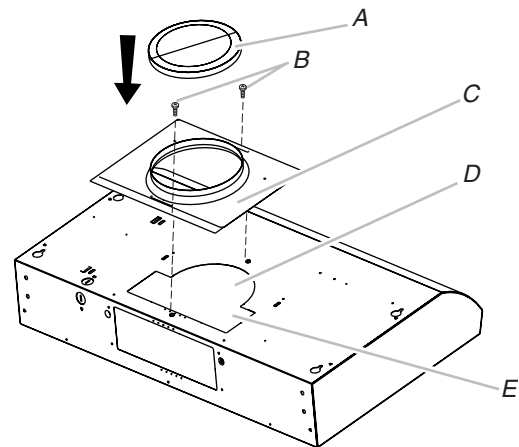
Round vent system installations - Remove top rectangular and round vent knockouts.

Rectangular vent system installations - For roof installations, remove the top rectangular vent knockout. For wall installations, remove the rear rectangular vent knockout.

Non-vent (recirculating) installations - Do not remove any knockouts.

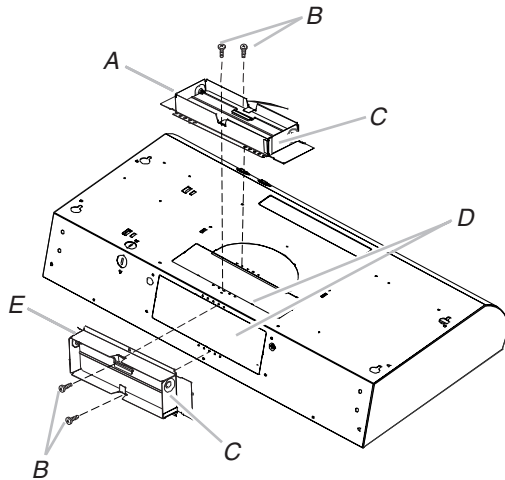
8. Install 7" (17.8 cm) round vent mounting plate or 3¼" x 10" (8.3 x 25.4 cm) rectangular vent damper, depending on your vent system installation. Attach to range hood with the 3.5 x 5 mm screws provided and remove tape from damper flap.

NOTE: The 7" (17.8 cm) round vent mounting plate is not supplied. An optional 7" (17.8 cm) round damper is also available as an accessory. For information on ordering, see the "Accessories" section.



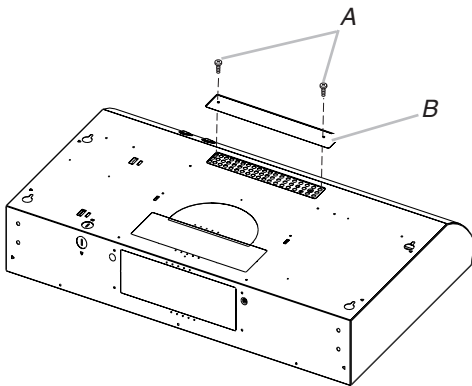
A. 7" (17.8 cm) Round damper (see "Accessories" section)
B. 3.5 x 5 mm screws
C. 7" (17.8 cm) round vent mounting plate (see "Accessories" section)
D. Round vent knockout
E. Rectangular vent knockout

NOTE: The 7" (17.8 cm) round vent mounting plate and 3¼" x 10" (8.3 x 25.4 cm) rectangular vent damper can be installed up to 1" (2.5 cm) on either side of the hood center to accommodate off-center ductwork.



A. Vertical vent connector with damper
 B. 3.5 x 5 mm screws
 C. Hinge pin
 D. Vent knockouts
 E. Horizontal vent connector with damper

- If a vent damper is installed with a wall cap with damper, check that they do not interfere with each other. Remove the vent connector damper flap if they interfere.
- **Non-vented (recirculating) installations** - No vent attachments. Removal of the recirculation cover plate is required. Remove the two screws from the recirculation cover plate and remove.



A. Recirculation cover plate
 B. Screws

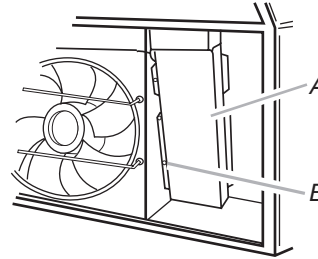
Power Supply Cable Installation

1. For direct wire installations, run the home power supply cable according to the National Electric Code or CSA standards and local codes and ordinances. There must be enough wiring from the fused disconnect (or circuit breaker) box to make the connection in the hood electrical terminal box.

For optional power supply cord kit installations, follow the instructions in the "Make Electrical Connection" section. See the "Accessories" section for information on ordering.

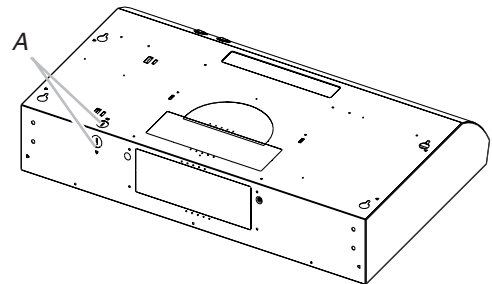
NOTE: Do not reconnect power until the installation is complete.

2. Remove the screw from the terminal box cover. Remove terminal box cover and set aside.



A. Terminal box cover
 B. Screw

3. Remove the power supply knockout from the top or rear of the vent hood (depending on the incoming location of your home power supply cable) and install a UL listed or CSA approved ½" strain relief.



A. Power supply knockout

4. Using 2 or more people, lift the hood into final position. Feed enough electrical wire through the ½" UL listed or CSA approved strain relief to make connections in the terminal box. Tighten the strain relief screws.
5. Position the range hood so that the large end of the keyhole slots are over the mounting screws. Then push the hood toward the wall so that the screws are in the neck of the slots. Tighten the mounting screws, making sure the screws are in the narrow neck of slots.
6. Connect ventwork to hood. Seal joints with vent clamps or duct tape to make secure and airtight.
7. Check that back draft dampers work properly.

Make Electrical Connection

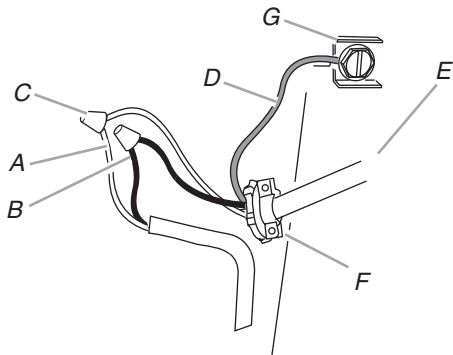
⚠️ WARNING



Electrical Shock Hazard

Disconnect power before servicing.
Replace all parts and panels before operating.
Failure to do so can result in death or electrical shock.

1. Disconnect power.



- A. White wires
B. Black wires
C. UL listed wire connector
D. Green (or bare) ground wire
E. Home power supply cable or power cord accessory kit
F. UL listed or CSA approved 1/2" strain relief
G. Green ground screw

2. Use UL listed wire connectors and connect white wires (A) together.

3. Use UL listed wire connectors and connect black wires (B) together.

⚠️ WARNING



Fire Hazard

Electrically ground the blower.
Use copper wire.
Connect ground wire to green ground screw in terminal box.
Failure to do so can result in death, fire, or electrical shock.

4. Connect green (or bare) ground wire from power supply to green ground screw in terminal box and securely tighten.
5. Install terminal box cover.
6. Reconnect power.

Complete Installation

1. Replace the 2 bottom panels.
 - a. Place the back of the panel into the rear channel and push the panel toward the back of the range hood until the tabs on the front of the panel clear the front mounting flange.
 - b. Push the front of the panel up into the front mounting flange until the panel tabs align with the slots in the front mounting flange. Release the panel so the tabs lock the panel in place.
2. Replace grease filter. See the "Range Hood Care" section.
3. Check the operation of the range hood fan and light. See "Range Hood Use" section.

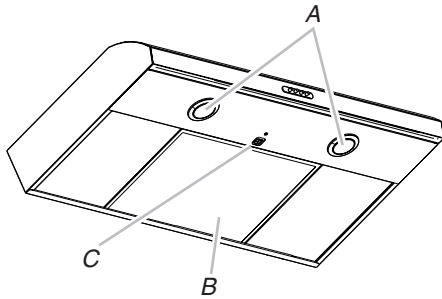
If range hood does not operate, check to see whether a circuit breaker has tripped or a household fuse has blown. Disconnect power and check wiring connections.

NOTE: To get the most efficient use from your new range hood, read the "Range Hood Use" section.

RANGE HOOD USE

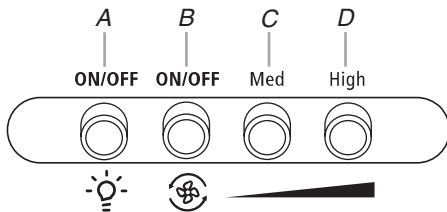
The range hood is designed to remove smoke, cooking vapors and odors from the cooktop area. For best results, start the hood before cooking and allow it to operate several minutes after the cooking is complete to clear all smoke and odors from the kitchen.

The hood controls are located on the front panel of the range hood.



A. Halogen lights
B. Grease filter
C. Filter retainer

Range Hood Controls



A. On/Off light button
B. Blower off and speed minimum button
C. Blower speed medium button
D. Blower speed maximum button

Operating the light

The On/Off light button controls both lights. Press once for On and again for Off.

Operating the blower

The BLOWER SPEED buttons turn the blower on and control the blower speed and sound level for quiet operation. The speed can be changed anytime during fan operation by pressing the desired blower speed button.

Press the BLOWER OFF button a second time to turn the blower off.

RANGE HOOD CARE

Cleaning

IMPORTANT: Clean the hood and grease filters frequently according to the following instructions. Replace grease filter before operating hood.

Exterior Surfaces:

IMPORTANT: Do not use soap-filled scouring pads, abrasive cleaners, Cooktop Polishing Creme, steel wool, gritty washcloths or paper towels.

To avoid damage to the stainless steel, do not use cleaners that contain chlorine.

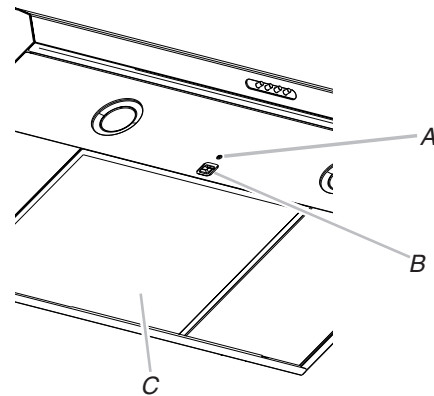
Cleaning Method:

- Rub in direction of grain to avoid scratching or damaging the surface.
- For stainless steel models, Stainless Steel Cleaner and Polish Part Number 31462A (not included): See "Assistance or Service" section to order.
- Liquid detergent or all-purpose cleaner: Rinse with clean water and dry with soft, lint-free cloth.
- Glass cleaner to remove fingerprints.

Metal or Charcoal Filter

To Clean the Filter:

1. Remove screw from the filter retainer.
2. To remove, pull the filter retainer toward the front of the range hood and pull down on the front edge of the filter.



A. Screw
B. Grease filter retainer
C. Grease filter

3. **For vented installations:** Wash metal filters as needed in a dishwasher or hot detergent solution.

For non-vented (recirculating) installations: The charcoal filter is not washable. It should last up to 6 months with normal use. Replace the metal filters with charcoal filters. For information on ordering, see the "Accessories" section. Dispose of old charcoal filter.

To Replace the Filter:

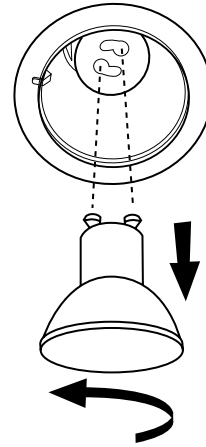
1. To reinstall the filter, the single slot opening on the long edge of the filter is to be toward the front of the range hood. Place the back edge of the filter into the channel at the rear of the range hood.
2. Pull the filter retainer toward the front of the range hood and push the front of the filter up into place.
3. Release the filter retainer. It will spring back into place to secure the filter.
4. Replace the screw into the filter retainer.

Replacing the Halogen Lamp

Turn off the range hood and allow the halogen lamp to cool. To avoid damage or decreasing the life of the new lamp, do not touch lamp with bare fingers. Replace lamp, using tissue or wearing cotton gloves to handle lamp.

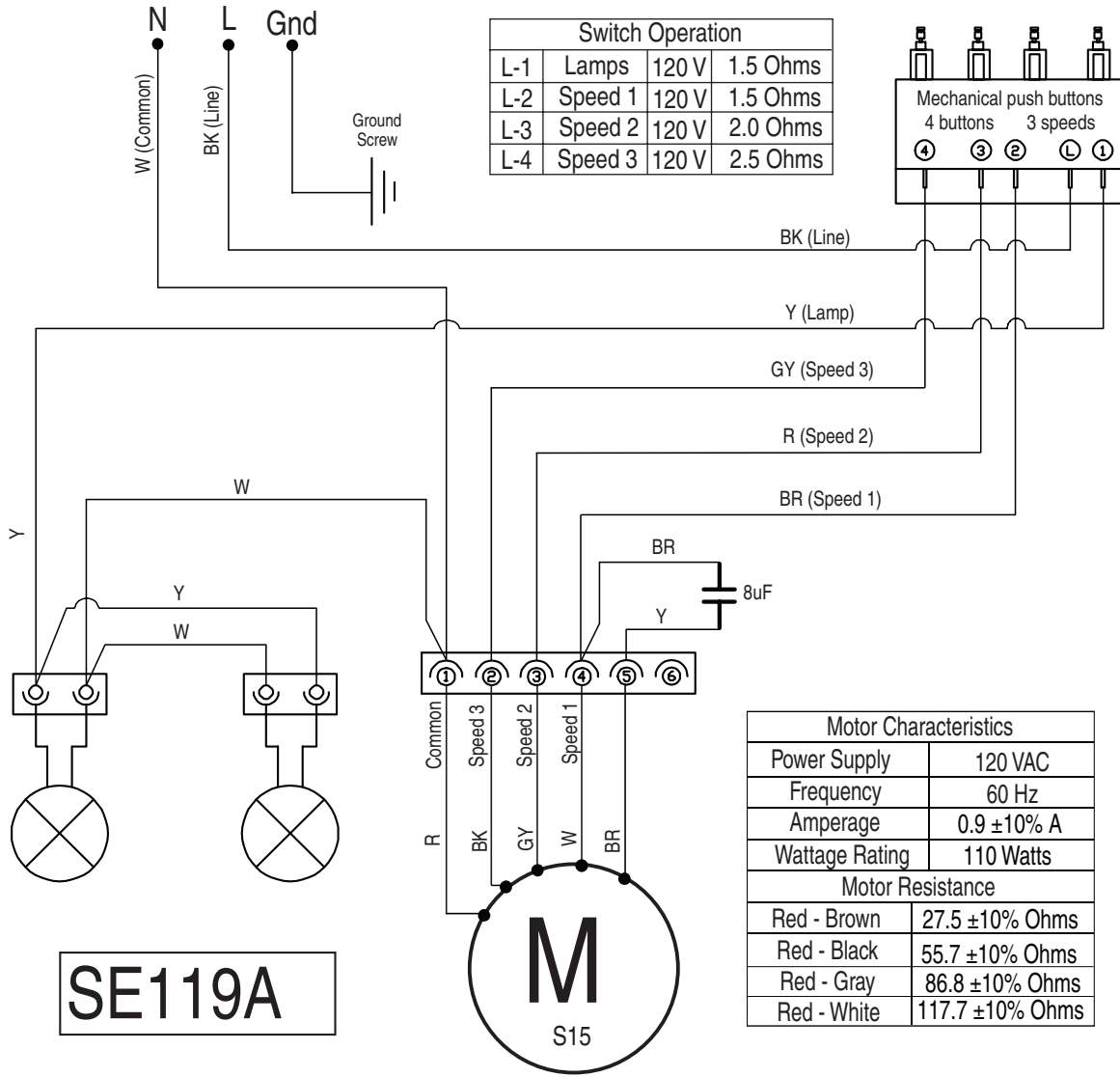
If new lamps do not operate, make sure the lamps are inserted correctly before calling service.

1. Disconnect power.
2. Push up on the lens and turn it counterclockwise.



3. Remove the lamp and replace it with a 120-volt, 50-watt maximum halogen lamp with a GU10 base. Turn it clockwise to lock it into place.
4. Repeat steps 2-3 for the other lamps if needed.
5. Reconnect power.

WIRING DIAGRAM



ASSISTANCE OR SERVICE

When calling for assistance or service, please know the purchase date and the complete model and serial number of your appliance. This information will help us to better respond to your request.

If you need replacement parts

If you need to order replacement parts, we recommend that you use only factory specified parts. Factory specified parts will fit right and work right because they are made with the same precision used to build every new appliance. To locate factory specified replacement parts in your area, call us or your nearest designated service center.

In the U.S.A.

Call the Whirlpool Customer eXperience Center toll free: **1-800-253-1301**.

Our consultants provide assistance with:

- Features and specifications on our full line of appliances.
- Installation information.
- Use and maintenance procedures.
- Accessory and repair parts sales.
- Specialized customer assistance (Spanish speaking, hearing impaired, limited vision, etc.).
- Referrals to local dealers, repair parts distributors and service companies. Whirlpool designated service technicians are trained to fulfill the product warranty and provide after-warranty service, anywhere in the United States.

To locate the Whirlpool designated service company in your area, you can also look in your telephone directory Yellow Pages.

For further assistance

If you need further assistance, you can write to Whirlpool Corporation with any questions or concerns at:

Whirlpool Brand Home Appliances
Customer eXperience Center
553 Benson Road
Benton Harbor, MI 49022-2692

Please include a daytime phone number in your correspondence.

In Canada

Call the Whirlpool Canada LP Customer eXperience Centre toll free: **1-800-807-6777**.

Our consultants provide assistance with:

- Features and specifications on our full line of appliances.
- Use and maintenance procedures.
- Accessory and repair parts sales.
- Referrals to local dealers, repair parts distributors, and service companies. Whirlpool Canada LP designated service technicians are trained to fulfill the product warranty and provide after-warranty service, anywhere in Canada.

For further assistance

If you need further assistance, you can write to Whirlpool Canada LP with any questions or concerns at:

Customer eXperience Centre
Whirlpool Canada LP
200 - 6750 Century Ave.
Mississauga, Ontario L5N 0B7

Please include a daytime phone number in your correspondence.

Accessories

Stainless Steel Cleaner and Polish

Order Part Number 31462A

Charcoal Filter Kit

Order Part Number W10386873

Power Cord Kit

Order Part Number W10355452

7" (17.8 cm) Round Damper

Order Part Number W10355451

7" (17.8 cm) Round Vent Mounting Plate

Order Part Number W10388168

WHIRLPOOL CORPORATION MAJOR APPLIANCE WARRANTY

LIMITED WARRANTY

For one year from the date of purchase, when this major appliance is operated and maintained according to instructions attached to or furnished with the product, Whirlpool Corporation or Whirlpool Canada LP (hereafter "Whirlpool") will pay for Factory Specified Parts and repair labor to correct defects in materials or workmanship. Service must be provided by a Whirlpool designated service company. This limited warranty is valid only in the United States or Canada and applies only when the major appliance is used in the country in which it was purchased. Outside the 50 United States and Canada, this limited warranty does not apply. Proof of original purchase date is required to obtain service under this limited warranty.

ITEMS EXCLUDED FROM WARRANTY

This limited warranty does not cover:

1. Service calls to correct the installation of your major appliance, to instruct you on how to use your major appliance, to replace or repair house fuses, or to correct house wiring or plumbing.
2. Service calls to repair or replace appliance light bulbs, air filters or water filters. Consumable parts are excluded from warranty coverage.
3. Repairs when your major appliance is used for other than normal, single-family household use or when it is used in a manner that is contrary to published user or operator instructions and/or installation instructions.
4. Damage resulting from accident, alteration, misuse, abuse, fire, flood, acts of God, improper installation, installation not in accordance with electrical or plumbing codes, or use of consumables or cleaning products not approved by Whirlpool.
5. Cosmetic damage, including scratches, dents, chips or other damage to the finish of your major appliance, unless such damage results from defects in materials or workmanship and is reported to Whirlpool within 30 days from the date of purchase.
6. Any food loss due to refrigerator or freezer product failures.
7. Costs associated with the removal from your home of your major appliance for repairs. This major appliance is designed to be repaired in the home and only in-home service is covered by this warranty.
8. Repairs to parts or systems resulting from unauthorized modifications made to the appliance.
9. Expenses for travel and transportation for product service if your major appliance is located in a remote area where service by an authorized Whirlpool servicer is not available.
10. The removal and reinstallation of your major appliance if it is installed in an inaccessible location or is not installed in accordance with published installation instructions.
11. Major appliances with original model/serial numbers that have been removed, altered or cannot be easily determined. This warranty is void if the factory applied serial number has been altered or removed from your major appliance.

The cost of repair or replacement under these excluded circumstances shall be borne by the customer.

DISCLAIMER OF IMPLIED WARRANTIES; LIMITATION OF REMEDIES

CUSTOMER'S SOLE AND EXCLUSIVE REMEDY UNDER THIS LIMITED WARRANTY SHALL BE PRODUCT REPAIR AS PROVIDED HEREIN. IMPLIED WARRANTIES, INCLUDING WARRANTIES OF MERCHANTABILITY OR FITNESS FOR A PARTICULAR PURPOSE, ARE LIMITED TO ONE YEAR OR THE SHORTEST PERIOD ALLOWED BY LAW. WHIRLPOOL SHALL NOT BE LIABLE FOR INCIDENTAL OR CONSEQUENTIAL DAMAGES. SOME STATES AND PROVINCES DO NOT ALLOW THE EXCLUSION OR LIMITATION OF INCIDENTAL OR CONSEQUENTIAL DAMAGES, OR LIMITATIONS ON THE DURATION OF IMPLIED WARRANTIES OF MERCHANTABILITY OR FITNESS, SO THESE EXCLUSIONS OR LIMITATIONS MAY NOT APPLY TO YOU. THIS WARRANTY GIVES YOU SPECIFIC LEGAL RIGHTS, AND YOU MAY ALSO HAVE OTHER RIGHTS WHICH VARY FROM STATE TO STATE OR PROVINCE TO PROVINCE.

If outside the 50 United States and Canada, contact your authorized Whirlpool dealer to determine if another warranty applies.

If you need service, first see the "Troubleshooting" section of the Use & Care Guide. After checking "Troubleshooting," you may find additional help by checking the "Assistance or Service" section or by calling Whirlpool. In the U.S.A., call **1-800-253-1301**. In Canada, call **1-800-807-6777**.

9/07

Keep this book and your sales slip together for future reference. You must provide proof of purchase or installation date for in-warranty service.

Write down the following information about your major appliance to better help you obtain assistance or service if you ever need it. You will need to know your complete model number and serial number. You can find this information on the model and serial number label located on the product.

Dealer name _____

Address _____

Phone number _____

Model number _____

Serial number _____

Purchase date _____

SÉCURITÉ DE LA HOTTE DE CUISINIÈRE

Votre sécurité et celle des autres est très importante.

Nous donnons de nombreux messages de sécurité importants dans ce manuel et sur votre appareil ménager. Assurez-vous de toujours lire tous les messages de sécurité et de vous y conformer.



Voici le symbole d'alerte de sécurité.

Ce symbole d'alerte de sécurité vous signale les dangers potentiels de décès et de blessures graves à vous et à d'autres.

Tous les messages de sécurité suivront le symbole d'alerte de sécurité et le mot "DANGER" ou "AVERTISSEMENT". Ces mots signifient :

⚠ DANGER

Risque possible de décès ou de blessure grave si vous ne suivez pas immédiatement les instructions.

⚠ AVERTISSEMENT

Risque possible de décès ou de blessure grave si vous ne suivez pas les instructions.

Tous les messages de sécurité vous diront quel est le danger potentiel et vous disent comment réduire le risque de blessure et ce qui peut se produire en cas de non-respect des instructions.

IMPORTANTES INSTRUCTIONS DE SÉCURITÉ

AVERTISSEMENT : POUR RÉDUIRE LE RISQUE D'INCENDIE, CHOC ÉLECTRIQUE OU DOMMAGES CORPORELS, RESPECTER LES INSTRUCTIONS SUIVANTES :

- Utiliser cet appareil uniquement dans les applications envisagées par le fabricant. Pour toute question, contacter le fabricant.
- Avant d'entreprendre un travail d'entretien ou de nettoyage, interrompre l'alimentation de la hotte au niveau du tableau de disjoncteurs, et verrouiller le tableau de disjoncteurs pour empêcher tout rétablissement accidentel de l'alimentation du circuit. Lorsqu'il n'est pas possible de verrouiller le tableau de disjoncteurs, placer sur le tableau de disjoncteurs une étiquette d'avertissement proéminente interdisant le rétablissement de l'alimentation.
- Tout travail d'installation ou câblage électrique doit être réalisé par une personne qualifiée, dans le respect des prescriptions de tous les codes et normes applicables, y compris les codes du bâtiment et de protection contre les incendies.
- Ne pas faire fonctionner un ventilateur dont le cordon ou la fiche est endommagé(e). Jeter le ventilateur ou le retourner à un centre de service agréé pour examen et/ou réparation.
- Une source d'air de débit suffisant est nécessaire pour le fonctionnement correct de tout appareil à gaz (combustion et évacuation des gaz à combustion par la cheminée), pour qu'il n'y ait pas de reflux des gaz de combustion. Respecter les directives du fabricant de l'équipement de chauffage et les prescriptions des normes de sécurité - comme celles publiées par la National Fire Protection Association (NFPA) et l'American Society for Heating, Refrigeration and Air Conditioning Engineers (ASHRAE), et les prescriptions des autorités réglementaires locales.
- Lors d'opérations de découpage et de perçage dans un mur ou un plafond, veiller à ne pas endommager les câblages électriques ou canalisations qui peuvent s'y trouver.
- Les ventilateurs d'évacuation doivent toujours décharger l'air à l'extérieur.

MISE EN GARDE : Cet appareil est conçu uniquement pour la ventilation générale. Ne pas l'utiliser pour l'extraction de matières ou vapeurs dangereuses ou explosives.

MISE EN GARDE : Pour minimiser le risque d'incendie et évacuer adéquatement les gaz, veiller à acheminer l'air aspiré par un conduit jusqu'à l'extérieur - ne pas décharger l'air aspiré dans un espace vide du bâtiment comme une cavité murale, un plafond, un grenier, un vide sanitaire ou un garage.

AVERTISSEMENT : POUR RÉDUIRE LE RISQUE D'INCENDIE, UTILISER UNIQUEMENT DES CONDUITS MÉTALLIQUES.

AVERTISSEMENT : POUR MINIMISER LE RISQUE D'UN FEU DE GRAISSE SUR LA CUISINIÈRE :

- Ne jamais laisser un élément de surface fonctionner à puissance de chauffage maximale sans surveillance. Un renversement/débordement de matière grasseuse pourrait provoquer une inflammation et la génération de fumée. Utiliser une puissance de chauffage moyenne ou basse pour le chauffage d'huile.
- Veiller à toujours faire fonctionner le ventilateur de la hotte lors de la cuisson avec une puissance de chauffage élevée ou lors de la cuisson d'un mets à flamber (à savoir crêpes Suzette, cerise jubilé, steak au poivre flambé).
- Nettoyer fréquemment les ventilateurs d'extraction. Veiller à ne pas laisser la graisse s'accumuler sur les surfaces du ventilateur ou des filtres.
- Utiliser toujours un ustensile de taille appropriée. Utiliser toujours un ustensile adapté à la taille de l'élément chauffant.

AVERTISSEMENT : POUR RÉDUIRE LE RISQUE DE DOMMAGES CORPORELS APRÈS LE DÉCLENCHEMENT D'UN FEU DE GRAISSE SUR LA CUISINIÈRE, APPLIQUER LES RECOMMANDATIONS SUIVANTES :^a

- Placer sur le récipient un couvercle bien ajusté, une tôle à biscuits ou un plateau métallique **POUR ÉTOUFFER LES FLAMMES**, puis éteindre le brûleur. **VEILLER À ÉVITER LES BRÛLURES**. Si les flammes ne s'éteignent pas immédiatement, **ÉVACUER LA PIÈCE ET APPELER LES POMPIERS**.
- **NE JAMAIS PRENDRE EN MAIN UN RÉCIPENT ENFLAMMÉ** - vous risquez de vous brûler.
- **NE PAS UTILISER D'EAU**, ni un torchon humide - ceci pourrait provoquer une explosion de vapeur brûlante.
- Utiliser un extincteur **SEULEMENT** si :
 - Il s'agit d'un extincteur de classe ABC, dont on connaît le fonctionnement.
 - Il s'agit d'un petit feu encore limité à l'endroit où il s'est déclaré.
 - Les pompiers ont été contactés.
 - Il est possible de garder le dos orienté vers une sortie pendant l'opération de lutte contre le feu.

^aRecommandations tirées des conseils de sécurité en cas d'incendie de cuisine publiés par la NFPA.

- **AVERTISSEMENT :** Pour réduire le risque d'incendie ou de choc électrique, ne pas utiliser ce ventilateur avec un quelconque dispositif de réglage de la vitesse à semi-conducteurs.

LIRE ET CONSERVER CES INSTRUCTIONS

EXIGENCES D'INSTALLATION

Outils et pièces

Rassembler les outils et pièces nécessaires avant d'entreprendre l'installation. Lire et observer les instructions fournies avec chacun des outils de la liste ci-dessous.

Outils nécessaires

- Perceuse
- Foret de 1 1/4" (3 cm)
- Foret de 1/8" (3 mm) pour avant-trous
- Crayon
- Pince à dénuder ou couteau utilitaire
- Mètre-ruban ou règle
- Pistolet à calfeutrage et composé de calfeutrage résistant aux intempéries
- Tournevis à lame plate
- Tournevis Phillips
- Scie sauteuse ou scie à guichet
- Cisaille de ferblantier
- Compas ou gabarit de diamètre 8" (20,3 cm)

Pièces fournies

Retirer les pièces de l'emballage. Vérifier que toutes les pièces sont présentes.

- 2 vis de 3,5 x 5 mm
- Module clapet rectangulaire de 3 1/4" x 10" (8,3 x 25,4 cm)
- Raccord d'adaptation T-10 Torx®†
- 4 vis de montage de 4,5 x 13 mm

Pièces nécessaires

- Bouche de décharge murale ou à travers le toit avec clapet correspondant au système d'évacuation
- 3 connecteurs de fils homologués UL
- Brides de conduit/ruban adhésif pour tuyauteries (selon le besoin)

Installations avec décharge à l'extérieur et conduits ronds de 7" (17,8 cm) :

- Système de conduit d'évacuation métallique rond de 7" (17,8 cm)
- Clapet anti-reflux rond de 7" (17,8 cm). Pour commander des pièces, voir la section "Accessoires".
- Plaque de montage de conduit rond de 7" (17,8 cm). Pour commander des pièces, voir la section "Accessoires".

Installations avec décharge à l'extérieur et conduits rectangulaires de 3 1/4" x 10" (8,3 x 25,4 cm) :

- Système d'évacuation rectangulaire métallique de 3 1/4" x 10" (8,3 x 25,4 cm)

Installations sans décharge à l'extérieur (recyclage) :

- Ensemble de filtre à charbon. Pour commander des pièces, voir la section "Accessoires".

Pour placards avec cavité au fond :

- Deux tringles d'appui de largeur 2" (5,1 cm). Longueur et épaisseur selon les dimensions de l'encastrement.
- Quatre vis à bois à tête plate ou vis à métaux avec rondelles et écrous, pour la fixation des tringles d'appui.

Exigences d'emplacement

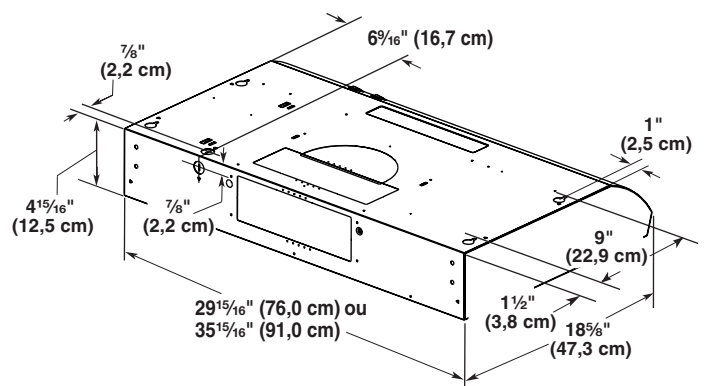
IMPORTANT : Observer les dispositions de tous les codes et règlements en vigueur.

- C'est à l'installateur qu'incombe la responsabilité de respecter les distances de séparation exigées, spécifiées sur la plaque signalétique de l'appareil. La plaque signalétique est située à l'intérieur de la hotte, sur la paroi de gauche.
- Installer la hotte de cuisinière à distance de toute zone exposée à des courants d'air, comme fenêtres, portes et bouches de chauffage à fort débit.
- Respecter les dimensions indiquées pour les ouvertures à découper dans les placards. Ces dimensions tiennent compte des valeurs minimales des dégagements de séparation. Avant d'effectuer des découpages, consulter les instructions d'installation fournies par le fabricant de la table de cuisson/cuisinière.
- On doit disposer d'une prise de courant électrique reliée à la terre. Voir la section "Spécifications électriques".
- Assurer l'étanchéité au niveau de chaque ouverture découpée dans le plafond ou le mur pour l'installation de la hotte de cuisinière.
- Ces hottes de cuisinière ont été configurées à l'usine pour une installation avec décharge à l'extérieur. Les modèles pouvant être installés dans une configuration sans décharge à l'extérieur (recyclage) nécessitent des filtres à charbon. Voir la section "Accessoires" pour commander un ensemble de filtre à charbon.

Installation dans une résidence mobile

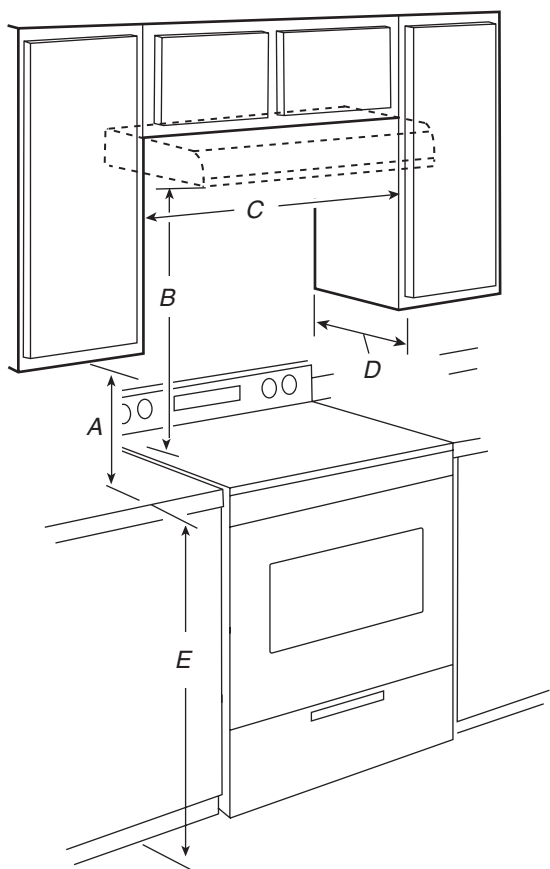
L'installation de cette hotte doit satisfaire aux exigences de la norme Manufactured Home Construction Safety Standards, Titre 24 CFR, partie 328 (anciennement Federal Standard for Mobile Home Construction and Safety, titre 24, HUD, partie 280); lorsque cette norme n'est pas applicable, l'installation doit satisfaire aux critères de la plus récente édition de la norme Manufactured Home Installation 1982 (Manufactured Home Sites, Communities and Setups) ANSI A225.1/NFPA 501A, ou des codes locaux.

Dimensions du produit



†®TORX est une marque déposée de Saturn Fasteners, Inc.

Distances de dégagement à respecter



A. Dégagement min. de 18" (45,7 cm) entre le placard supérieur et le plan de travail

B. 24" (61,0 cm) à 30" (76,2 cm) : distance maximale suggérée du bas de la hotte à la surface de cuisson

C. 30" (76,2 cm) de largeur de cabinet min. pour les modèles de 30" (76,2 cm) et 36" (91,4 cm) de largeur min. de placard pour les modèles de 36" (91,4 cm).

D. Profondeur de placard 13" (33 cm)

E. Hauteur de placard du bas 36" (91,4 cm)

Exigences concernant l'évacuation

- Le système d'évacuation doit décharger l'air à l'extérieur, excepté pour les installations sans décharge à l'extérieur (recyclage).
- Ne pas terminer le circuit d'évacuation dans un grenier ou dans un autre espace clos.
- Ne pas utiliser une bouche de décharge murale de 4" (10,2 cm) normalement utilisée pour un équipement de buanderie.
- Utiliser un conduit métallique rond de 7" (17,8 cm) ou un conduit métallique rectangulaire de 3¼" x 10" (8,3 x 25,4 cm), selon le modèle. Un conduit en métal rigide est recommandé. Ne pas utiliser de conduit de plastique ou en aluminium.
- La longueur du système d'évacuation et le nombre de coudes doit être réduit au minimum pour des performances optimales.

Pour un fonctionnement efficace et silencieux :

- Ne pas utiliser plus de trois coudes à 90°.
- Veiller à ce qu'il y ait une section droite de conduit d'un minimum de 24" (61 cm) entre les raccords coudés, si on doit en utiliser plus d'un.
- Ne pas installer 2 coudes successifs.
- Au niveau de chaque jointure du circuit d'évacuation, assurer l'étanchéité avec les brides de serrage.
- Le circuit d'évacuation doit comporter un clapet anti-reflux. Si la bouche de décharge murale ou par le toit comporte un clapet, ne pas utiliser le clapet fourni avec la hotte de cuisinière.
- À l'aide d'un produit de calfeutrage, assurer l'étanchéité autour de la bouche de décharge à l'extérieur (à travers le mur ou le toit).

Installations dans les régions au climat froid

On doit installer un clapet anti-retour supplémentaire à l'arrière pour minimiser le reflux d'air froid et incorporer un élément d'isolation thermique pour minimiser la conduction de chaleur par l'intermédiaire du conduit d'évacuation, de l'intérieur de la maison à l'extérieur. Le clapet anti-retour doit être placé du côté air froid de la résistance thermique.

L'élément d'isolation thermique doit être aussi proche que possible de l'endroit où le circuit d'évacuation s'introduit dans la partie chauffée de la maison.

Air d'appoint

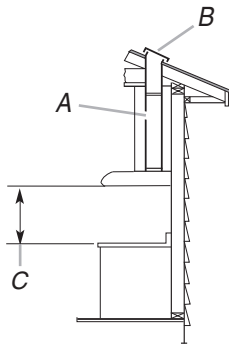
Les codes du bâtiment local peuvent exiger l'emploi d'un système d'appoint d'air lors de l'emploi d'un ventilateur d'extraction dont la capacité d'aspiration est supérieure à un débit (pieds cubes par minute) spécifié. Le débit spécifié en pieds cubes par minute varie d'une juridiction à l'autre. Consulter un professionnel des installations de chauffage ventilation/climatisation au sujet des exigences spécifiques applicables dans la juridiction locale.

Méthodes d'évacuation

La sortie à l'extérieur du circuit d'évacuation peut se faire à travers le toit ou à travers un mur. Utiliser des conduits rectangulaires de 3¼" x 10" (8,3 x 25,4 cm) avec une longueur maximale de 35 pi (10,7 m) ou des conduits ronds de 7" (17,8 cm) de diamètre ou plus avec une longueur maximale de 50 pi (15,2 m) pour le système d'évacuation.

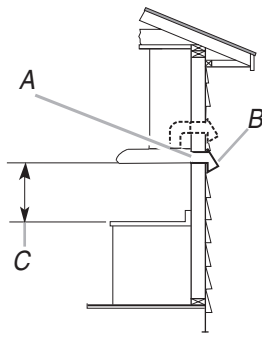
REMARQUE : On déconseille l'emploi d'un conduit flexible. Un conduit flexible peut causer une rétro-pression et des turbulences de l'air, ce qui réduirait considérablement la performance.

Décharge à travers le toit



- A. Conduit rond de dia. 7" (17,8 cm) pour décharge à travers le toit (acquisition séparée). Conduit rectangulaire de 3 1/4" x 10" (8,3 x 25,4 cm) pour décharge à travers le toit (achat séparé).
- B. Bouche de décharge sur toit avec clapet (achat séparé)
- C. Entre 24" (61 cm) min. et 30" (76,2 cm) max. au-dessus de la surface de cuisson

Évacuation par le mur



- A. Conduit rond de dia. 7" (17,8 cm) avec sortie par le dessus et décharge à travers le mur (acquisition séparée). Conduit rectangulaire de 3 1/4" x 10" (8,3 x 25,4 cm) pour décharge à travers le mur ou le sommet (achat séparé).
- B. Bouche de décharge murale avec clapet (achat séparé)
- C. Entre 24" (61 cm) min. et 30" (76,2 cm) max. au-dessus de la surface de cuisson

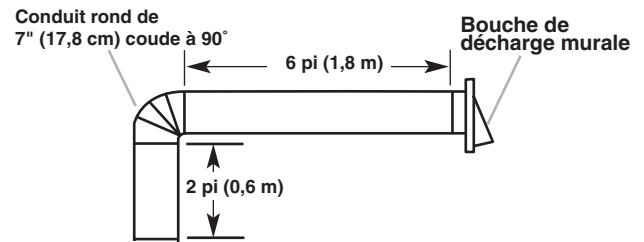
Calcul de la longueur du circuit d'évacuation

Pour calculer la longueur effective du circuit d'évacuation nécessaire, additionner les longueurs équivalentes (en pieds ou mètres) de tous les composants utilisés dans le système.

Système d'évacuation avec conduits ronds de 7" (17,8 cm)

Composant	Rond	
Coude à 45°	2,5 pi (0,8 m)	
Coude à 90°	5,0 pi (1,5 m)	
Bouche de décharge murale de 7" (17,8 cm)	0 pi (0,0 m)	
3 1/4" x 10" (8,3 cm x 25,4 cm) à 7" (17,8 cm)	4,5 pi (1,4 m)	
Raccord coudé à 90° de 3 1/4" x 10" (8,3 cm x 25,4 cm) à 7" (17,8 cm)	5,0 pi (1,5 m)	

Exemple de circuit d'évacuation



Longueur maximale recommandée = 50 pi (15,2 m)

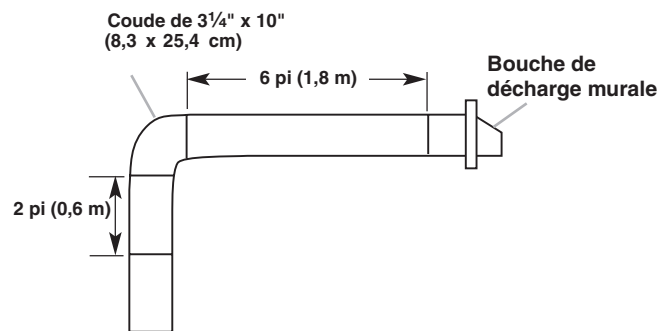
1 - coude à 90°	= 5,0 pi (1,5 m)
1 bouche de décharge murale	= 0 pi (0 m)
Section droite de 8 pi (2,4 m)	= 8 pi (2,4 m)
Longueur du système de dia. 7" (17,8 cm)	= 13 pi (3,9 m)

Système de décharge de 3 1/4" x 10" (8,3 cm x 25,4 cm)

Composant

Coude à 90° de 3 1/4" x 10" (8,3 cm x 25,4 cm)	5,0 pi (1,5 m)	
Coude plat de 3 1/4" x 10" (8,3 cm x 25,4 cm)	12 pi (3,7 m)	
Bouche de décharge murale 3 1/4" x 10" (8,3 cm x 25,4 cm)	0 pi (0,0 m)	

Exemple de circuit d'évacuation



Longueur maximale recommandée = 35 pi (10,7 m)

1 - coude à 90°	= 5,0 pi (1,5 m)
Section droite de 8 pi (2,4 m)	= 8 pi (2,4 m)
1 bouche de décharge murale	= 0 pi (0 m)
Longueur du système de 3 1/4" x 10" (8,3 cm x 25,4 cm)	= 13 pi (3,9 m)

Spécifications électriques

Observer les dispositions de tous les codes et règlements en vigueur.

Vérifier que l'installation électrique a été correctement effectuée et qu'elle est conforme aux spécifications de la plus récente édition des normes National Electrical Code, ANSI/NFPA 70, ou de la norme CSA C22.1-94, Code canadien de l'électricité, partie 1 et C22.2 N° 0-M91 (dernière édition) et de tous les codes et règlements en vigueur locaux.

Si les codes le permettent et si on utilise un conducteur distinct de liaison à la terre, il est recommandé qu'un électricien qualifié vérifie la qualité de la liaison à la terre.

Pour obtenir un exemplaire de la norme des codes ci-dessus, contacter :

National Fire Protection Association
One Batterymarch Park
Quincy, MA 02269

CSA International
8501 East Pleasant Valley Road
Cleveland, OH 44131-5575

- L'appareil doit être alimenté par un circuit de 120 V, CA seulement, 60 Hz, 15 A, protégé par fusible.

- Si le domicile est équipé d'un câblage en aluminium, suivre les instructions suivantes :

1. Connecter une section de câble en cuivre massif aux conducteurs en queue de cochon.
2. Connecter le câblage en aluminium à la section ajoutée de câblage en cuivre en utilisant des connecteurs et/ou des outils spécialement conçus et homologués UL pour fixer le cuivre à l'aluminium.

Appliquer la procédure recommandée par le fabricant des connecteurs. La connexion aluminium/cuivre doit être conforme aux codes locaux et aux pratiques de câblage acceptées par l'industrie.

- Le calibre des conducteurs et les connexions doivent être compatibles avec la demande de courant de l'appareil spécifiée sur la plaque signalétique. La plaque signalétique de l'appareil est située derrière le filtre, sur la paroi arrière de la hotte.
- Le calibre des conducteurs doit satisfaire aux exigences de la plus récente édition de la norme National Electrical Code, ANSI/NFPA 70, ou de la norme CSA C22.1-94, Code canadien de l'électricité, partie 1 et C22.2 n° 0-M91 (dernière édition) et de tous les codes et règlements en vigueur.

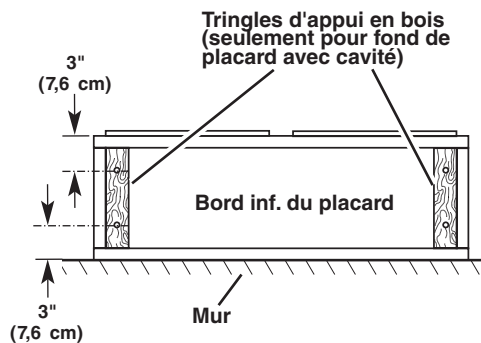
INSTRUCTIONS D'INSTALLATION

Préparation de l'emplacement

REMARQUE : Il est recommandé d'installer le système d'évacuation avant de procéder à l'installation de la hotte.

Avant d'exécuter les découpages, vérifier la disponibilité d'un dégagement suffisant dans le plafond ou le mur pour le conduit d'évacuation.

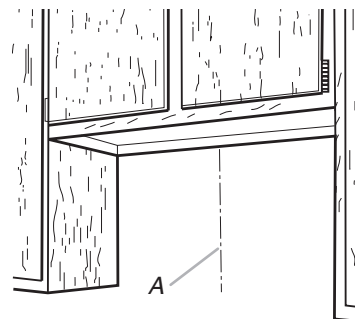
1. Déconnecter la source de courant électrique.
2. Selon le modèle, déterminer la méthode d'évacuation à utiliser : décharge à travers le mur ou le toit, ou recyclage.
3. Sélectionner une surface plane pour l'assemblage de la hotte. Placer le matériau de protection sur cette surface.
4. Soulever la hotte et la placer à l'envers sur une surface couverte.
5. Si le fond du placard forme une cavité, ajouter des tringles d'appui en bois de chaque côté. Installer des vis pour fixer les tringles d'appui aux emplacements indiqués.



Déterminer l'emplacement du trou de passage du câble

Percer seulement un trou de passage de 1/4" (3,2 cm) de diamètre pour le câblage. Voir l'étape 2 pour des instructions sur l'emplacement du trou de passage du câblage.

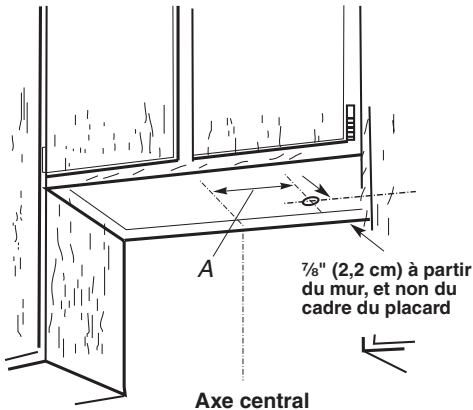
1. Déterminer et tracer clairement l'axe central vertical sur le mur et le placard dans la zone où le passage du conduit d'évacuation sera réalisé.



A. Axe central

Câblage à travers le sommet du placard :

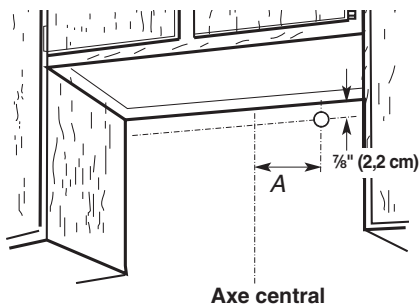
1. Tracer une ligne de distance "A" à partir de la droite de l'axe central, sur la face inférieure du placard. Sur cette ligne, marquer le point situé à $\frac{7}{8}$ " (2,2 cm) du mur arrière. Percer en ce point un trou de $1\frac{1}{4}$ " (3,2 cm) de diamètre à travers le placard.



A. $8\frac{3}{8}$ " (21,3 cm) pour les modèles de 30" (76,2 cm)
 $11\frac{3}{8}$ " (28,9 cm) pour les modèles de 36" (91,4 cm)

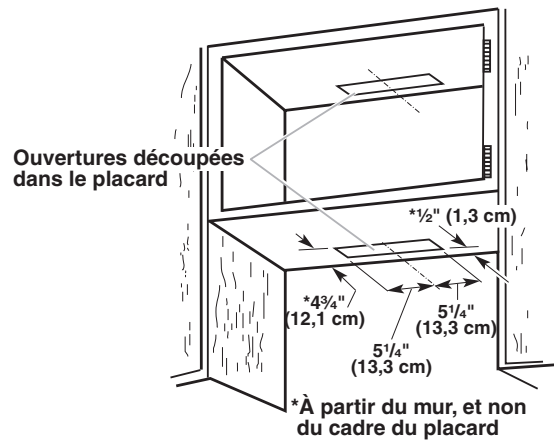
Passage du câble à travers le mur :

1. Tracer une ligne de distance "A" à partir de la droite de l'axe central, sur la face inférieure du mur. Marquer un point sur cette ligne qui se trouve à $\frac{7}{8}$ " (2,2 cm) de la face inférieure du placard. Percer en ce point un trou de $1\frac{1}{4}$ " (3,2 cm) de diamètre à travers la paroi arrière.



A. $8\frac{3}{8}$ " (21,3 cm) pour les modèles de 30" (76,2 cm)
 $11\frac{3}{8}$ " (28,9 cm) pour les modèles de 36" (91,4 cm)

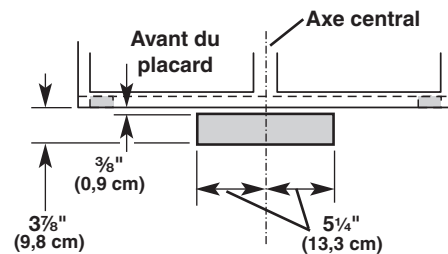
4. Répéter les étapes 1 à 3 pour la face inférieure du sommet du placard.



Évacuation par le mur

Découpage d'une ouverture rectangulaire de $3\frac{1}{2}$ " x $10\frac{1}{2}$ " (8,9 cm x 26,7 cm) dans le mur :

1. Mesurer 2 lignes de $\frac{3}{8}$ " (0,9 cm) et $3\frac{7}{8}$ " (9,8 cm) en descendant à partir de la face inférieure du placard et marquer leur emplacement sur l'axe central du mur arrière.
2. Tracer des lignes à $5\frac{1}{4}$ " (13,3 cm) de part et d'autre de l'axe central sur le mur.
3. Utiliser une scie sauteuse ou une scie à guichet pour découper l'ouverture rectangulaire du système d'évacuation dans le mur.



Style 2 – Découpages d'ouverture pour un conduit rectangulaire de $3\frac{1}{4}$ " x 10" (8,3 x 25,4 cm) sur raccord de transition rond

Décharge à travers le toit

Découpage d'une ouverture rectangulaire de $4\frac{1}{4}$ " x $10\frac{1}{2}$ " (10,8 cm x 26,7 cm) sur la face inférieure du bas du placard :

1. Tracer des lignes à $\frac{1}{2}$ " (1,3 cm) et $4\frac{3}{4}$ " (12,1 cm) du mur arrière, sur l'axe central de la face inférieure du placard.
2. Tracer des lignes à $5\frac{1}{4}$ " (13,3 cm) de part et d'autre de l'axe central sur la face inférieure du placard.

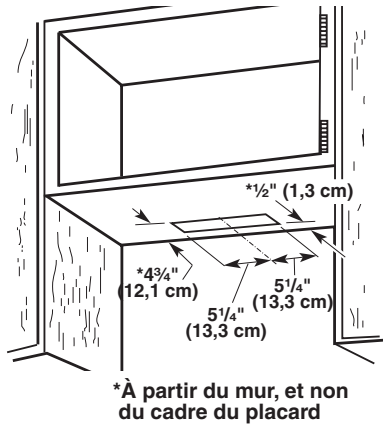
Style 1 - Découpages d'ouverture pour un système d'évacuation rectangulaire de $3\frac{1}{4}$ " x 10" (8,3 cm x 25,4 cm)

Décharge à travers le toit

Découpage d'une ouverture rectangulaire de $4\frac{1}{4}$ " x $10\frac{1}{2}$ " (10,8 cm x 26,7 cm) sur la face inférieure du sommet et du bas du placard :

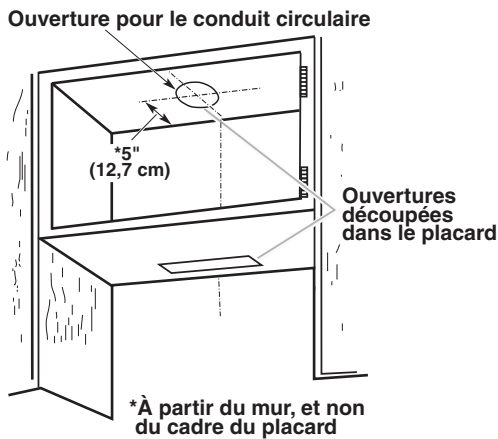
1. Tracer des lignes à $\frac{1}{2}$ " (1,3 cm) et $4\frac{3}{4}$ " (12,1 cm) du mur arrière, sur l'axe central de la face inférieure du placard.
2. Tracer des lignes à $5\frac{1}{4}$ " (13,3 cm) de part et d'autre de l'axe central sur la face inférieure du placard.
3. Utiliser une scie sauteuse ou une scie à guichet pour découper l'ouverture rectangulaire pour le passage du conduit d'évacuation.

- Utiliser une scie sauteuse ou une scie à guichet pour découper l'ouverture rectangulaire pour le passage du conduit d'évacuation.

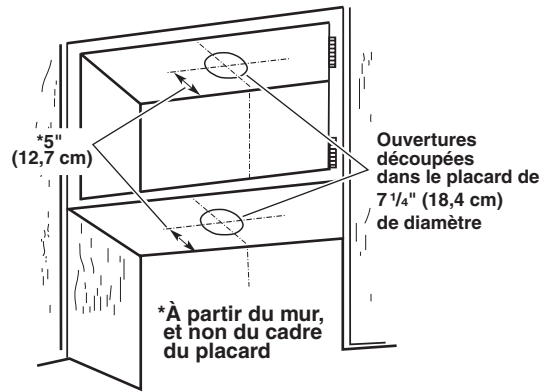


Découpage d'une ouverture circulaire sur la face inférieure du sommet du placard :

- Tracer un axe central sur la face inférieure du sommet du placard.
- Tracer une ligne de 5" (12,7 cm) en partant du mur arrière sur la face inférieure du sommet du placard.
- Utiliser un compas ou un gabarit circulaire pour tracer un cercle avec un diamètre de 7 1/4" (0,64 cm) supérieur à celui du conduit d'évacuation.
- Utiliser une scie sauteuse ou une scie à guichet pour découper l'ouverture circulaire pour le passage du conduit d'évacuation.



- Utiliser une scie sauteuse ou une scie à guichet pour découper l'ouverture circulaire pour le passage du conduit d'évacuation.

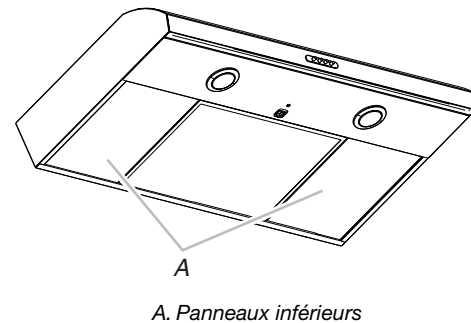


Installation du conduit d'évacuation

- Installer le conduit d'évacuation à travers l'ouverture découpée dans le placard mural ou le mur. Achever l'installation du système d'évacuation conformément à la méthode d'évacuation sélectionnée. Voir la section "Exigences concernant l'évacuation".
- À l'aide d'un produit de calfeutrage, assurer l'étanchéité autour de la bouche de décharge à l'extérieur (à travers le mur ou le toit).

Installation de la hotte

- Enlever le filtre à graisse métallique. Voir la section "Entretien de la hotte".
- Ôter les 2 panneaux inférieurs.



- Pousser le panneau vers l'arrière de la hotte jusqu'à ce que les languettes avant du panneau soient dégagées du rebord de montage avant.
- Tirer l'avant du panneau vers le bas et le retirer de la rainure arrière. Mettre les panneaux de côté.

REMARQUE : L'intérieur de la hotte peut comporter un clapet anti-reflux rectangulaire de 3 1/4" x 10" (8,3 x 25,4 cm).

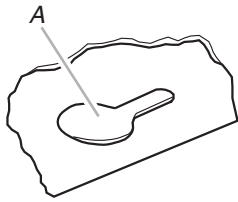
- Retirer le clapet anti-reflux rectangulaire de 3 1/4" x 10" (8,3 x 25,4 cm) fixé par ruban adhésif à l'intérieur de la hotte.

Style 3 – Découpage d'ouvertures pour un conduit d'évacuation rond de 7" (17,8 cm)

Pour le découpage d'ouvertures pour conduit rond sur la face inférieure du fond ou du sommet du placard :

- Tracer un axe central sur la face inférieure du sommet du placard.
- Tracer une ligne de 5" (12,7 cm) en partant du mur arrière sur la face inférieure du sommet ou du fond du placard.
- Utiliser un compas ou un gabarit circulaire pour tracer un cercle avec un diamètre de 7 1/4" (0,64 cm) supérieur à celui du conduit d'évacuation.

4. Soulever la hotte sous le placard et déterminer sa position d'installation finale en la centrant sous le placard. Sur la face inférieure du placard, marquer l'emplacement des 4 trous de montage sur la hotte. Placer la hotte à part sur une surface couverte.



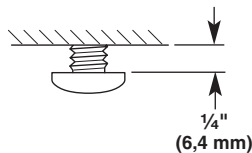
A. Découpe en trou de serrure

5. À l'aide d'un foret de 1/8" (3 mm), percer 4 avant-trous tel qu'illustré.



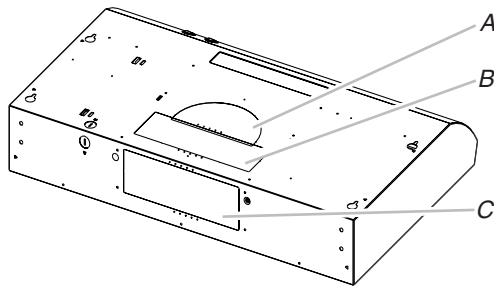
A. Perçage d'un avant-trou

6. Installer les 4 vis de montage 4,5 x 13 mm dans les avant-trous. Laisser un espace d'environ 1/4" (6,4 cm) entre les têtes des vis et le placard pour faire glisser la hotte et la mettre en place.



1/4"
(6,4 mm)

7. Selon la configuration de l'installation, ôter les opercules amovibles du conduit d'évacuation.



- A. Opercule amovible en demi-cercle du conduit d'évacuation
B. Opercule amovible rectangulaire supérieur du conduit d'évacuation
C. Opercule amovible rectangulaire arrière du conduit d'évacuation

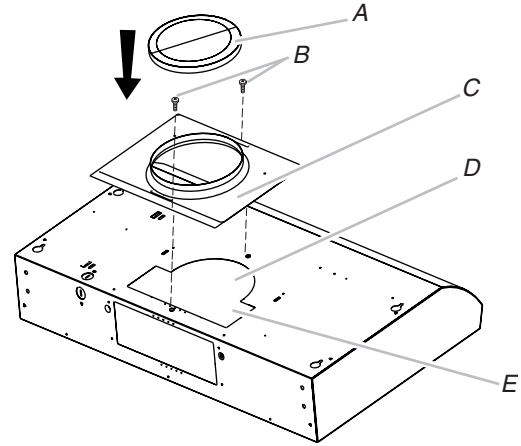
Installations pour système d'évacuation rond - Retirer l'opercule amovible rectangulaire supérieur et l'opercule en demi-cercle.

Installations pour système d'évacuation rectangulaire - Pour les installations avec passage par le toit, retirer l'opercule amovible rectangulaire supérieur du conduit d'évacuation. Pour les installations murales, retirer l'opercule amovible rectangulaire arrière.

Installation sans décharge à l'extérieur (recyclage) - Ne pas retirer les opercules.

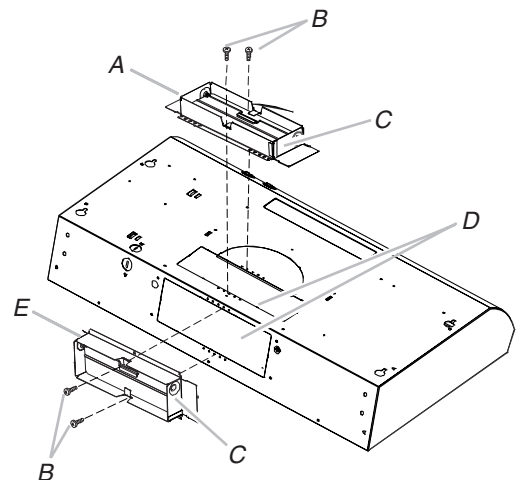
8. Installer une plaque de montage de conduit de ventilation de 7" (17,8 cm) ou un clapet anti-reflux rectangulaire de 3 1/4" x 10" (8,3 x 25,4 cm), selon la configuration de votre installation. La fixer à la hotte à l'aide des vis de 3,5 x 5 mm fournies et retirer le ruban adhésif de l'obturateur à registre.

REMARQUE : La plaque de montage de clapet anti-reflux rond de 7" (17,8 cm) n'est pas fournie. Un clapet anti-reflux facultatif de 7" (17,8 cm) de diamètre est également disponible comme accessoire. Pour commander des pièces, voir la section "Accessoires".



- A. Clapet anti-reflux rond de 7" (17,8 cm) (voir la section "Accessoires")
B. Vis de 3,5 x 5 mm
C. Plaque de montage de conduit rond de 7" (17,8 cm) (voir la section "Accessoires")
D. Opercule amovible en demi-cercle du conduit d'évacuation
E. Opercule amovible rectangulaire du conduit d'évacuation

REMARQUE : On peut installer la plaque de montage pour conduit rond de 7" (17,8 cm) et le clapet anti-reflux rectangulaire de 3 1/4" x 10" (8,3 x 25,4 cm) jusqu'à 1" (2,5 cm) de chaque côté du centre de la hotte pour pouvoir installer les conduits décentrés.

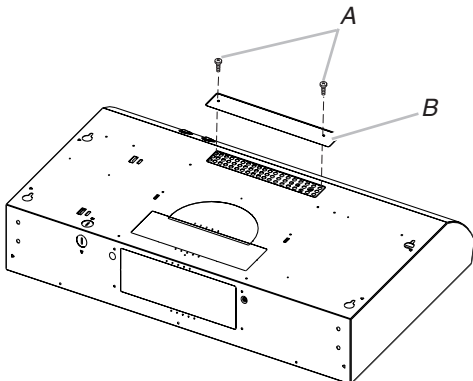


- A. Raccord de conduit vertical avec clapet
B. Vis de 3,5 x 5 mm
C. Axe de charnière
D. Opercules arrachables du conduit d'évacuation
E. Raccord de conduit horizontal avec clapet

- Si un clapet anti-retour est monté avec une bouche de décharge elle-même équipée d'un clapet anti-retour, vérifier qu'ils ne se gênent pas mutuellement. En cas d'interférence, retirer l'obturateur à registre du connecteur de conduit.

Installation sans décharge à l'extérieur (recyclage) -

Aucun dispositif de fixation de conduit. Le retrait de la plaque de protection pour mode recyclage est nécessaire. Ôter les deux vis de la plaque de protection pour mode recyclage et retirer la plaque.



A. Plaque de protection pour mode recyclage
B. Vis

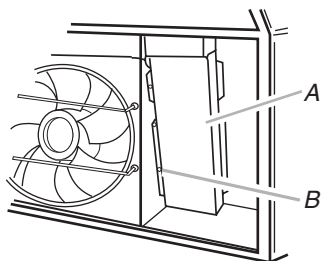
Installation du cordon d'alimentation

1. Pour les installations à raccordement direct, acheminer le câble d'alimentation du domicile selon les prescriptions du Code national de l'électricité ou des normes CSA et des codes et règlements locaux. La longueur du câblage depuis le tableau de distribution (avec fusibles ou disjoncteurs) doit être suffisante pour réaliser facilement le raccordement dans le boîtier de connexion de la hotte.

Pour les installations avec ensemble de cordon d'alimentation facultatif, suivre les instructions de la section "Raccordement électrique". Voir la section "Accessoires" pour connaître le processus de commande.

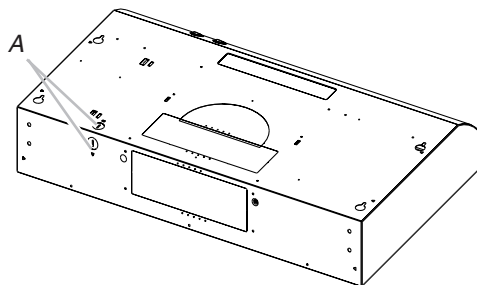
REMARQUE : Ne pas mettre le système sous tension avant d'avoir complètement terminé l'installation.

2. Ôter la vis du couvercle du boîtier de connexion. Retirer le couvercle du boîtier de connexion et le mettre de côté.



A. Couvercle du boîtier de connexion
B. Vis

3. Ôter l'opercule pour le passage de l'alimentation électrique du sommet ou de l'arrière de la hotte de ventilation (selon l'emplacement du point d'entrée du câble d'alimentation du domicile) et installer un serre-câble de 1/2" homologué UL ou CSA.



A. Opercule pour le passage de l'alimentation électrique

4. À l'aide d'au moins deux personnes, soulever la hotte et la placer à son emplacement final. Insérer suffisamment de câble électrique à travers le serre-câble de 1/2" (homologation UL ou CSA) pour établir les connexions avec la boîte de connexion. Serrer les vis du serre-câble.
5. Positionner les trous allongés de la hotte par-dessus la tête des vis de montage. Puis pousser la hotte vers le mur pour engager la partie étroite des trous sur les vis de fixation. Serrer les vis de montage en s'assurant que les vis sont dans la partie étroite des trous de fixation des vis.
6. Raccorder le circuit d'évacuation à la hotte. Assurer l'étanchéité et la solidité de l'installation des jointures avec des brides pour conduits ou du ruban adhésif à tuyauteries.
7. Vérifier que les clapets anti-retour fonctionnent correctement.

Raccordement électrique

⚠ AVERTISSEMENT



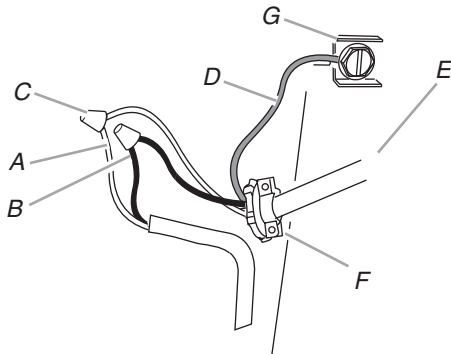
Risque de choc électrique

Déconnecter la source de courant électrique avant l'entretien.

Replacer pièces et panneaux avant de faire la remise en marche.

Le non-respect de ces instructions peut causer un décès ou un choc électrique.

1. Déconnecter la source de courant électrique.



A. Conducteurs blancs
B. Conducteurs noirs
C. Connecteur de fils
(homologation UL)
D. Fil de terre vert (ou nu)

E. Ensemble d'accessoires -
câble d'alimentation du
domicile ou cordon
d'alimentation
F. Serre-câble homologué UL
ou CSA de 1/2"
G. Vis verte de liaison à la terre

2. Connecter ensemble les conducteurs blancs (A) à l'aide de connecteurs de fils (homologation UL).
3. Connecter ensemble les conducteurs noirs (B) à l'aide des connecteurs de fils (homologation UL).

⚠ AVERTISSEMENT



Risque d'incendie

Relier le ventilateur à la terre.

Utiliser du fil en cuivre.

Brancher le fil relié à la terre à la vis verte reliée à la terre dans la boîte de la borne.

Le non-respect de ces instructions peut causer un décès, un incendie ou un choc électrique.

4. Connecter le conducteur de liaison à la terre vert (ou nu) du câble d'alimentation du domicile à la vis verte de liaison à la terre dans la boîte de connexion et bien serrer.
5. Installer le couvercle du boîtier de connexion.
6. Reconnecter la source de courant électrique.

Achever l'installation

1. Réinstaller les 2 panneaux inférieurs.
 - a. Placer l'arrière du panneau dans la rainure arrière et pousser le panneau vers l'arrière de la hotte jusqu'à ce que les languettes avant du panneau soient dégagées du rebord de montage avant.
 - b. Pousser l'avant du panneau vers le haut, dans le rebord de montage avant jusqu'à ce que les onglets du panneau soient alignés avec les encoches du rebord de montage avant. Relâcher le panneau de façon à ce que les onglets permettent l'emboîtement du panneau.
2. Réinstaller le filtre à graisse. Voir la section "Entretien de la hotte".
3. Contrôler le fonctionnement du ventilateur de la hotte et de la lampe. Voir la section "Utilisation de la hotte".

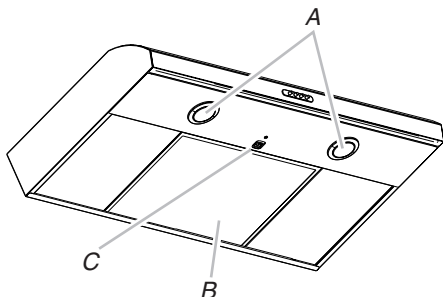
Si la hotte ne fonctionne pas, déterminer si un disjoncteur s'est ouvert ou si un fusible du domicile est grillé.
Déconnecter la source de courant électrique et inspecter les connections du câblage.

REMARQUE : Pour pouvoir tirer le plus grand parti de la nouvelle hotte de cuisinière, lire la section "Utilisation de la hotte".

UTILISATION DE LA HOTTE

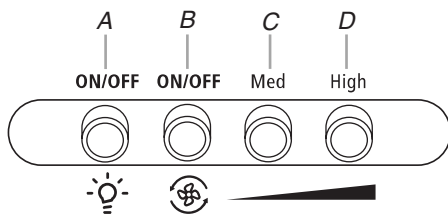
La hotte de cuisinière est conçue pour extraire fumée, vapeurs de cuisson et odeurs de la zone de la table de cuisson. Pour obtenir les meilleurs résultats, mettre le ventilateur de la hotte en marche avant d'entreprendre une cuisson, et laisser le ventilateur fonctionner pendant plusieurs minutes après l'achèvement d'une cuisson pour pouvoir évacuer de la cuisine toute trace d'odeur de cuisson, vapeur ou fumée.

Les commandes de la hotte sont situées sur la face avant de la hotte.



A. Lampes à halogène
B. Filtre à graisse
C. Patte de retenue du filtre à graisse

Commandes de la hotte de cuisinière



A. Bouton d'éclairage Marche/arrêt
B. Bouton d'arrêt ventilateur et de vitesse minimale
C. Bouton de vitesse modérée de ventilateur
D. Bouton de vitesse maximale de ventilateur

Pour faire fonctionner la lampe

Le bouton d'éclairage Marche/arrêt contrôle les deux lampes. Appuyer une fois sur le bouton pour allumer la lampe, puis une nouvelle fois pour l'éteindre.

Utilisation du ventilateur

Les boutons BLOWER SPEED (vitesse du ventilateur) activent le ventilateur et contrôlent la vitesse du ventilateur et le niveau sonore pour un fonctionnement silencieux. On peut modifier la vitesse à tout moment pendant le fonctionnement du ventilateur en appuyant sur le bouton correspondant à la vitesse souhaitée.

Appuyer une deuxième fois sur le bouton BLOWER OFF (arrêt ventilateur) pour arrêter le ventilateur.

ENTRETIEN DE LA HOTTE

Nettoyage

IMPORTANT : Nettoyer fréquemment la hotte et les filtres à graisse en suivant les instructions suivantes. Réinstaller le filtre à graisse avant de faire fonctionner la hotte.

Surfaces externes :

IMPORTANT : Ne pas utiliser de tampons de récurage savonneux, de nettoyeurs abrasifs, de crème à polir pour table de cuisson, de laine d'acier, de chiffons de lavage rugueux ou d'essuie-tout.

Pour éviter d'endommager les surfaces en acier inoxydable, ne pas utiliser de nettoyeurs contenant du chlore.

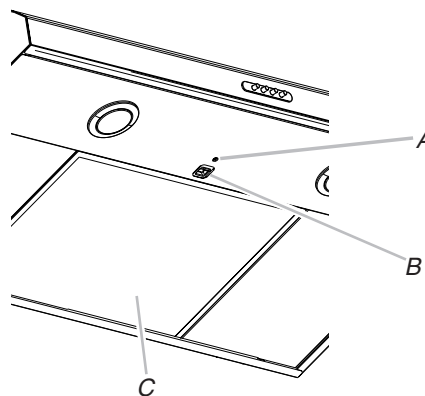
Méthode de nettoyage :

- Frotter dans la direction du grain pour éviter d'égratigner ou d'endommager la surface.
- Pour les modèles en acier inoxydable, nettoyeur et poli pour acier inoxydable – pièce n° 31462A (non inclus) : Voir la section "Assistance ou service" pour commander.
- Détergent liquide ou nettoyeur tout-usage : Rincer à l'eau propre et sécher avec un chiffon doux sans charpie.
- Nettoyeur à vitre pour éliminer les traces de doigts.

Filtre métallique ou filtre à charbon

Nettoyage du filtre :

1. Ôter la vis de la patte de retenue du filtre.
2. Pour retirer la patte de retenue, la tirer vers l'avant de la hotte et tirer le rebord avant du filtre vers le bas.



A. Vis
B. Patte de retenue du filtre à graisse
C. Filtre à graisse

- 3. Installations avec décharge à l'extérieur :** Laver les filtres métalliques selon le besoin au lave-vaisselle ou dans une solution de détergent chaude.

Installations sans décharge à l'extérieur (recyclage) : Le filtre à charbon n'est pas lavable. Celui-ci devrait durer pendant 6 mois dans des conditions d'utilisation normales. Remplacer les filtres métalliques par les filtres à charbon. Pour commander des pièces, voir la section "Accessoires". Jeter le filtre à charbon usagé.

Remplacement du filtre :

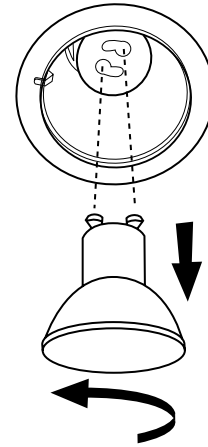
1. Pour réinstaller le filtre, la rainure simple de la longue rive du filtre doit être orientée vers l'avant de la hotte. Réinstaller le rebord arrière du filtre dans la rainure à l'arrière de la hotte.
2. Tirer la patte de retenue du filtre vers l'avant de la hotte et pousser l'avant du filtre vers le haut pour le mettre en place.
3. Relâcher la patte de retenue du filtre. Elle reviendra alors en place et fixera le filtre.
4. Réinstaller la vis dans la patte de retenue du filtre.

Remplacement de la lampe à halogène

Interrompre l'alimentation de la hotte; attendre le refroidissement de la lampe à halogène. Pour éviter d'endommager ou de réduire la longévité de l'ampoule neuve, ne pas toucher l'ampoule avec les doigts nus. Remplacer l'ampoule en la manipulant avec un mouchoir de papier ou des gants de coton.

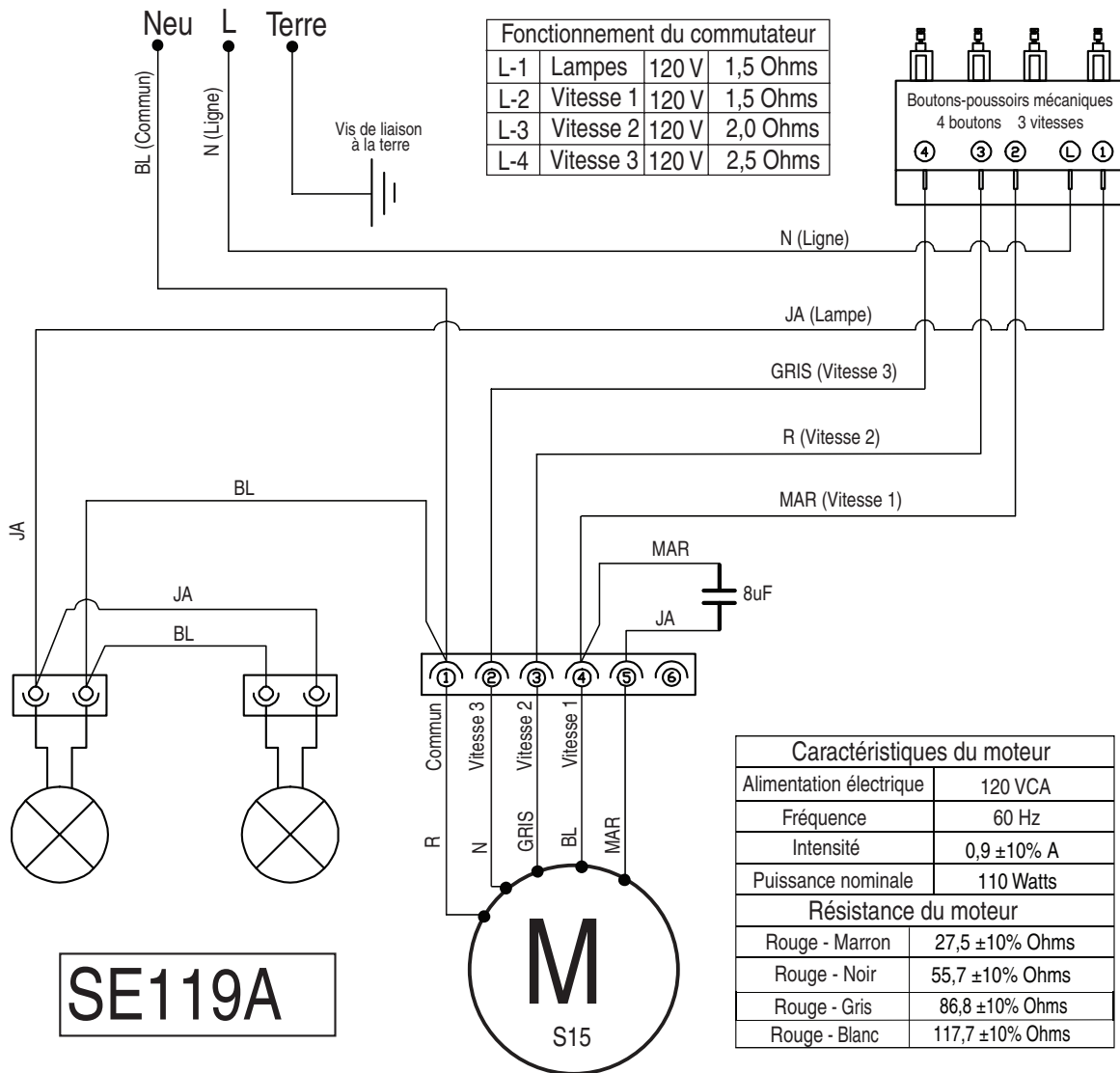
Si les nouvelles lampes ne fonctionnent pas, vérifier que chaque lampe est correctement insérée dans sa douille avant de demander l'intervention d'un dépanneur.

1. Déconnecter la source de courant électrique.
2. Pousser la plaque de verre vers le haut et la tourner dans le sens antihoraire.



3. Retirer l'ampoule et la remplacer par une ampoule halogène de 120 volts, 50 watts maximum avec culot GU10. La tourner dans le sens horaire pour l'emboîter.
4. Répéter les étapes 2 à 3 pour les autres ampoules, si nécessaire.
5. Reconnecter la source de courant électrique.

SCHÉMA DE CÂBLAGE



ASSISTANCE OU SERVICE

Lors d'un appel pour assistance ou service, veuillez connaître la date d'achat, le numéro de modèle et le numéro de série complets de l'appareil. Ces renseignements nous aideront à mieux répondre à votre demande.

Si vous avez besoin de pièces de rechange

Si vous avez besoin de commander des pièces de rechange, nous vous recommandons d'employer uniquement les pièces spécifiées par l'usine. Les pièces spécifiées par l'usine conviendront et fonctionneront bien parce qu'elles sont fabriquées avec la même précision utilisée dans la fabrication de chaque nouvel appareil. Pour localiser les pièces spécifiées par l'usine, dans votre région, nous appelons ou téléphonons au centre de service désigné le plus proche.

Au Canada

Veuillez appeler sans frais le Centre pour l'eXpérience de la clientèle de Whirlpool Canada LP au : **1-800-807-6777**.

Nos consultants vous renseigneront sur les sujets suivants :

- Caractéristiques et spécifications sur toute notre gamme d'appareils électroménagers.
- Consignes d'utilisation et d'entretien.
- Ventes d'accessoires et de pièces de rechange.
- Références aux marchands locaux, aux distributeurs de pièces de rechange et aux compagnies de service. Les techniciens de service désignés par Whirlpool Canada LP sont formés pour remplir la garantie des produits et fournir un service après la garantie, partout au Canada.

Pour plus d'assistance

Si vous avez besoin de plus d'assistance, vous pouvez soumettre par écrit toute question ou préoccupation à Whirlpool Canada LP à l'adresse suivante :

Whirlpool Canada LP
Centre pour l'eXpérience de la clientèle
200 - 6750 Century Ave.
Mississauga, Ontario L5N 0B7

Veuillez inclure dans votre correspondance un numéro de téléphone où l'on peut vous joindre dans la journée.

Accessoires

Nettoyant et poli pour acier inoxydable

Commander la pièce numéro 31462A

Ensemble Filtre à charbon

Commander la pièce numéro W10386873

Ensemble de cordon d'alimentation

Commander la pièce numéro W10355452

Clapet anti-reflux rond de 7" (17,8 cm)

Commander la pièce numéro W10355451

Plaque de montage de clapet anti-reflux rond de 7" (17,8 cm)

Commander la pièce numéro W10388168

GARANTIE DES GROS APPAREILS MÉNAGERS WHIRLPOOL CORPORATION

GARANTIE LIMITÉE

Pendant un an à compter de la date d'achat, lorsque ce gros appareil ménager est utilisé et entretenu conformément aux instructions jointes à ou fournies avec le produit, Whirlpool Corporation ou Whirlpool Canada LP (ci-après désignées "Whirlpool") paiera pour les pièces spécifiées par l'usine et la main-d'œuvre pour corriger les vices de matériaux ou de fabrication. Le service doit être fourni par une compagnie de service désignée par Whirlpool. Cette garantie limitée est valide uniquement aux États-Unis ou au Canada et s'applique exclusivement lorsque l'appareil est utilisé dans le pays où il a été acheté. À l'extérieur du Canada et des 50 États des États-Unis, cette garantie limitée ne s'applique pas. Une preuve de la date d'achat original est exigée pour obtenir un service dans le cadre de la présente garantie limitée.

ARTICLES EXCLUS DE LA GARANTIE

La présente garantie limitée ne couvre pas :

1. Les visites de service pour rectifier l'installation du gros appareil ménager, montrer à l'utilisateur comment utiliser l'appareil, remplacer ou réparer des fusibles ou rectifier le câblage ou la plomberie du domicile.
2. Les visites de service pour réparer ou remplacer les ampoules électriques de l'appareil, les filtres à air ou les filtres à eau. Les pièces consommables ne sont pas couvertes par la garantie.
3. Les réparations lorsque le gros appareil ménager est utilisé à des fins autres que l'usage unifamilial normal ou lorsque les instructions d'installation et/ou les instructions de l'opérateur ou de l'utilisateur fournies ne sont pas respectées.
4. Les dommages imputables à : accident, modification, usage impropre ou abusif, incendie, inondation, actes de Dieu, installation fautive ou installation non conforme aux codes d'électricité ou de plomberie, ou l'utilisation de pièces consommables ou de produits nettoyants non approuvés par Whirlpool.
5. Les défauts apparents, notamment les éraflures, les bosses, fissures ou tout autre dommage au fini du gros appareil ménager, à moins que ces dommages soient dus à des vices de matériaux ou de fabrication et soient signalés à Whirlpool dans les 30 jours suivant la date d'achat.
6. Toute perte d'aliments due à une défaillance du réfrigérateur ou du congélateur.
7. Les coûts associés au transport du gros appareil ménager du domicile pour réparation. Ce gros appareil ménager est conçu pour être réparé à domicile et seul le service à domicile est couvert par la présente garantie.
8. Les réparations aux pièces ou systèmes résultant d'une modification non autorisée faite à l'appareil.

9. Les frais de transport pour le service d'un produit si votre gros appareil est situé dans une région éloignée où un service d'entretien Whirlpool autorisé n'est pas disponible.
 10. La dépose et la réinstallation de votre gros appareil si celui-ci est installé dans un endroit inaccessible ou n'est pas installé conformément aux instructions d'installation fournies.
 11. Les gros appareils ménagers dont les numéros de série et de modèle originaux ont été enlevés, modifiés ou qui ne peuvent pas être facilement identifiés. La présente garantie est nulle si le numéro de série d'usine a été modifié ou enlevé du gros appareil ménager.
- Le coût d'une réparation ou d'un remplacement dans le cadre de ces circonstances exclues est à la charge du client.

CLAUSE D'EXONÉRATION DE RESPONSABILITÉ AU TITRE DES GARANTIES IMPLICITES; LIMITATION DES RECOURS

LE SEUL ET EXCLUSIF RECOURS DU CLIENT DANS LE CADRE DE LA PRÉSENTE GARANTIE LIMITÉE CONSISTE EN LA RÉPARATION PRÉVUE CI-DESSUS. LES GARANTIES IMPLICITES, Y COMPRIS LES GARANTIES APPLICABLES DE QUALITÉ MARCHANDE ET D'APTITUDE À UN USAGE PARTICULIER, SONT LIMITÉES À UN AN OU À LA PLUS COURTE PÉRIODE AUTORISÉE PAR LA LOI. WHIRLPOOL N'ASSUME AUCUNE RESPONSABILITÉ POUR LES DOMMAGES FORTUITS OU INDIRECTS. CERTAINES JURIDICTIONS NE PERMETTENT PAS L'EXCLUSION OU LA LIMITATION DES DOMMAGES FORTUITS OU INDIRECTS, OU LES LIMITATIONS DE LA DURÉE DES GARANTIES IMPLICITES DE QUALITÉ MARCHANDE OU D'APTITUDE À UN USAGE PARTICULIER, DE SORTE QUE CES EXCLUSIONS OU LIMITATIONS PEUVENT NE PAS S'APPLIQUER DANS VOTRE CAS. CETTE GARANTIE VOUS CONFÈRE DES DROITS JURIDIQUES SPÉCIFIQUES ET VOUS POUVEZ ÉGALEMENT JOUIR D'AUTRES DROITS QUI PEUVENT VARIER D'UNE JURIDICTION À UNE AUTRE.

Si vous résidez à l'extérieur du Canada et des 50 États des États-Unis, contactez votre marchand Whirlpool autorisé pour déterminer si une autre garantie s'applique.

Si vous avez besoin de service, voir d'abord la section "Dépannage" du Guide d'utilisation et d'entretien. Après avoir vérifié la section "Dépannage", de l'aide supplémentaire peut être trouvée en vérifiant la section "Assistance ou service" ou en appelant Whirlpool. Aux É.-U., composer le **1-800-253-1301**. Au Canada, composer le **1-800-807-6777**. 2/09

Conservez ce manuel et votre reçu de vente ensemble pour référence ultérieure. Pour le service sous garantie, vous devez présenter un document prouvant la date d'achat ou d'installation.

Inscrivez les renseignements suivants au sujet de votre gros appareil ménager pour mieux vous aider à obtenir assistance ou service en cas de besoin. Vous devez connaître le numéro de modèle et le numéro de série au complet. Vous trouverez ces renseignements sur la plaque signalétique située sur le produit.

Nom du marchand _____

Adresse _____

Numéro de téléphone _____

Numéro de modèle _____

Numéro de série _____

Date d'achat _____