

INSTALLER: LEAVE THESE INSTRUCTIONS WITH THE APPLIANCE



INSTALLATION MANUAL

Gas 30-inch Wide Free-standing Range

PLEASE KEEP THIS MANUAL FOR FUTURE REFERENCE

THE MANUAL IS INTENDED TO ASSIST IN THE INITIAL INSTALLATION AND ADJUSTMENTS OF THE RANGE.

SPECIAL WARNING

Only qualified personnel should install or service this range.

Read “Safety Instructions” in the Use & Care book before using range.

Improper installation, adjustment, alteration, service, maintenance or use of range can result in serious injury or property damage.

CLEARANCE DIMENSIONS

Range may be installed with zero inches clearance adjacent to (against) combustible construction at the rear and on the sides below the cooktop. For complete information in regard to the installation of wall cabinets above the range and clearances to combustible wall above the cooking top see the installation drawings. For SAFETY CONSIDERATIONS do not install a range in any combustible cabinetry which is not in accord with the installation drawings.

* **NOTE:** 30 inch (76.2 cm) dimension between cooking top and wall cabinet shown on illustration does not apply to ranges with an elevated oven. The 30 inch (76.2 cm) dimension may be reduced to not less than 24 inches (61 cm) when the wall cabinets in a domestic home are protected with fireproof materials in accordance with American National Standards - National Fuel Gas Code or in mobile homes when they are protected with fireproof materials in accordance with the Federal Standard for Mobile Home Construction and Safety.

To eliminate the risk of burns or fire by reaching over heated surface units, cabinet storage space located above the surface units should be avoided. If cabinet storage is to be provided, the risk can be reduced by installing a range hood that projects horizontally a minimum of 5 inches (13 cm) beyond the bottom of the cabinets.

CAUTION: This range has been designed in accordance with the requirements of various safety agencies and complies with the maximum allowable wood cabinet temperatures of 194°F. If this range is installed with cabinets that have a lower working temperature than 194°F, discoloration, delamination or melting may occur.



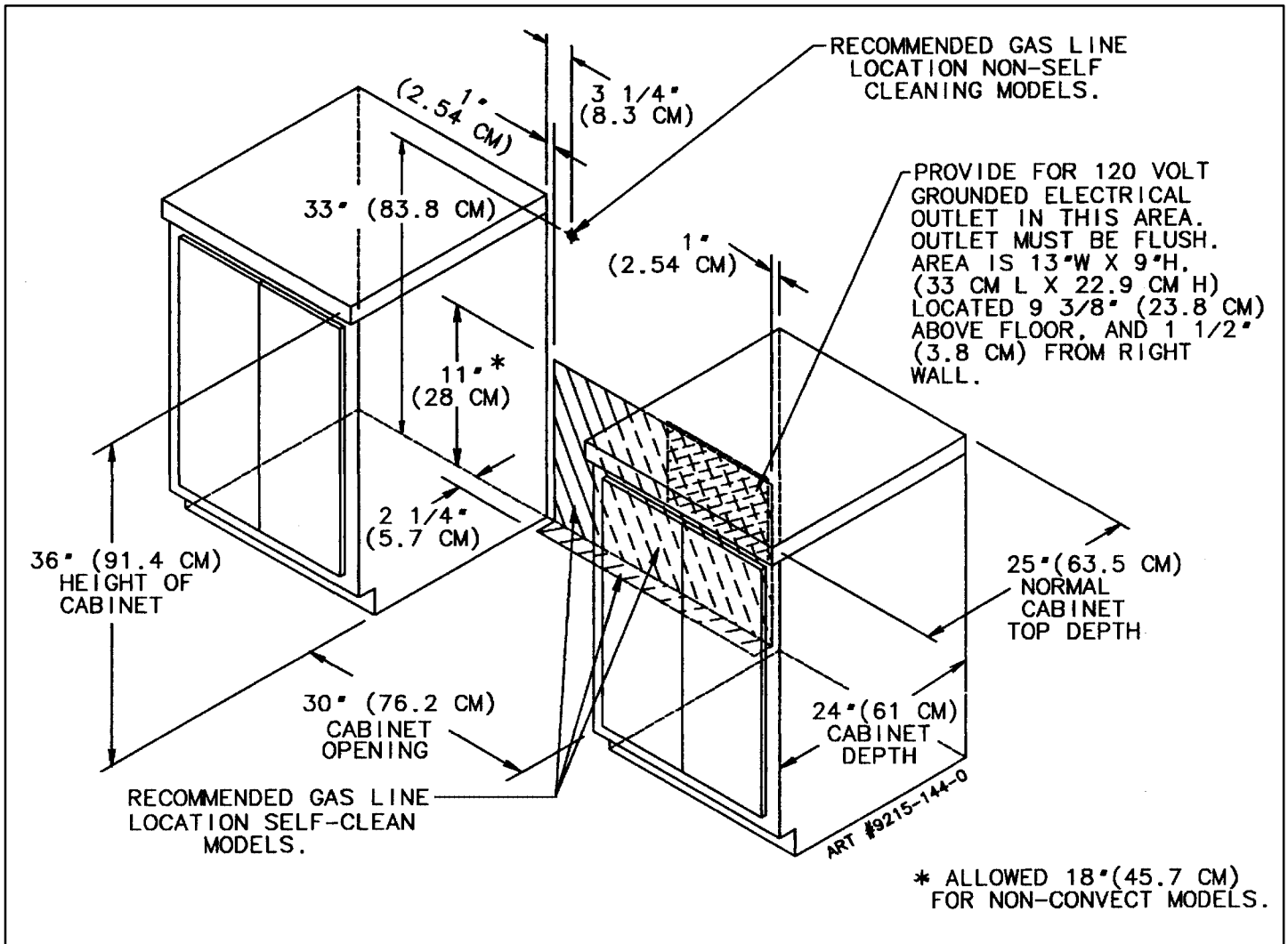
WARNING

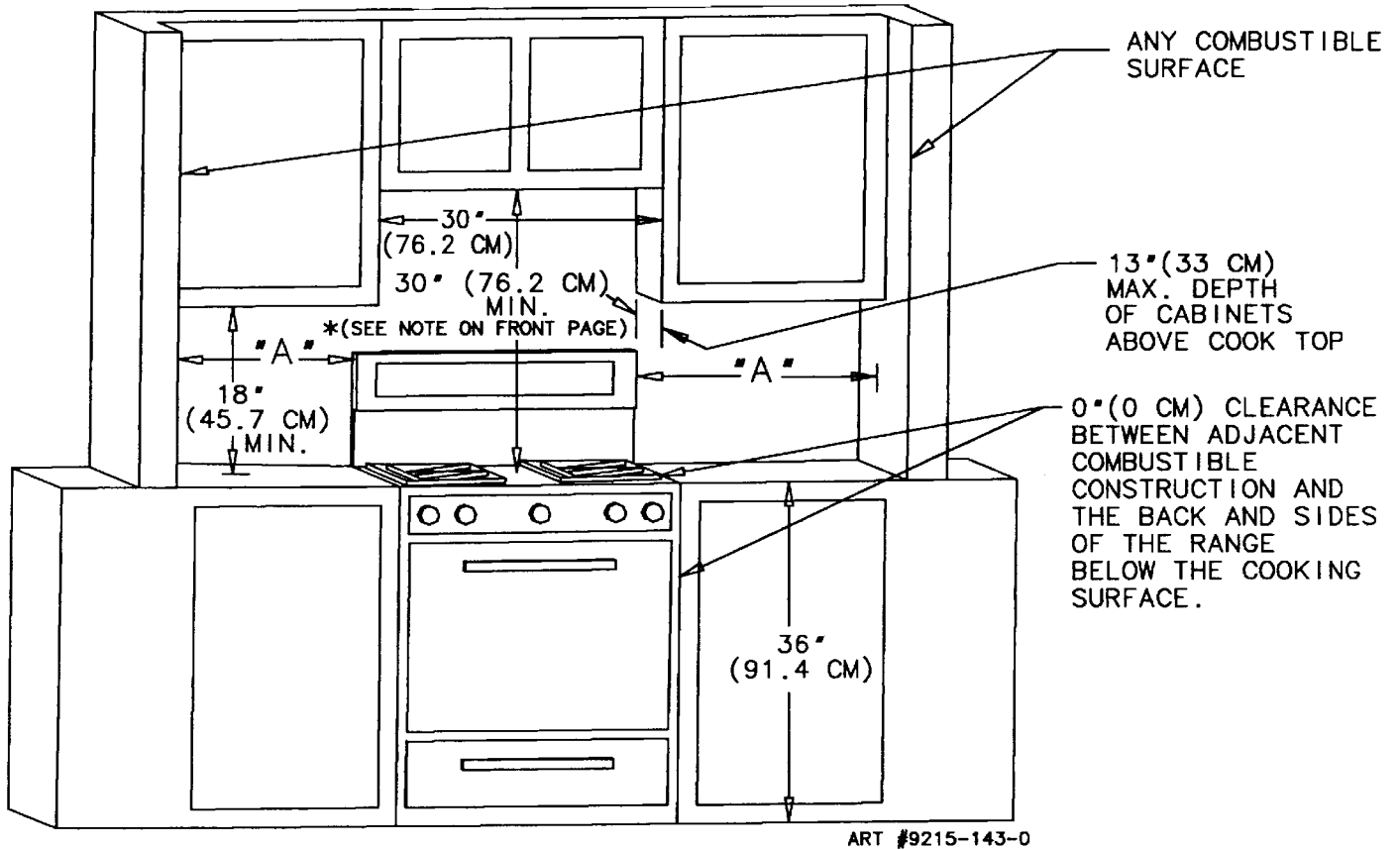
- ALL RANGES CAN TIP AND CAUSE INJURIES TO PERSONS.
- INSTALL ANTI-TIP DEVICES PACKED WITH RANGE.
- FOLLOW ALL INSTALLATION INSTRUCTIONS.

Your range may not be equipped with some of the features referred to in this manual.

INSTALLATION DRAWINGS

FREE-STANDING





DIMENSION "A" SIDE CLEARANCE ABOVE COOKING SURFACE

TOP BURNER RATE FOR NATURAL GAS (SEE RATING PLATE)	CONVENTIONAL OVEN	SELF-CLEAN OVEN
9,200 BTU/HR OR LESS	0 INCHES	3 INCHES (7.6 CM)
MORE THAN 9,200 BTU/HR	1 INCH (2.5 CM)	3 INCHES (7.6 CM)

Check the range model number plate to see if the range is approved for installation in mobile homes and/or recreational park trailers. If approved the following items are applicable.

MOBILE HOMES

The installation of a range designed for mobile home installation must conform with the Manufactured Home Construction and Safety Standard, Title 24 CFR, Part 3280 [formerly the Federal Standard for Mobile Home Construction and Safety, Title 24 HUD, (Part 280)] or, when such standard is not applicable, the Standard for Manufactured Home Installations, ANSI A225.1/NFPA 501A, or with local codes.

In Canada the range must be installed in accordance with the current CSA Standard C22.1 - Canadian Electrical Code Part 1 and Section Z240.4.1 - Installation Requirements for Gas Burning Appliances in Mobile Homes (CSA Standard CAN/CSA - Z240MH).

RECREATIONAL PARK TRAILERS

The installation of a range designed for recreational park trailers must conform with state or other codes or, in the absence of such codes, with the Standard for Recreational Park Trailers, ANSI A119.5-latest edition.

In Canada the range must be installed in accordance with CAN/CSA - Z240.6.2 - Electrical Requirements for R.V.'s (CSA Standard CAN/CSA - Z240 RV Series) and Section Z240.4.2 - Installation Requirements for Propane Appliances and Equipment in R.V.'s (CSA Standard CAN/CSA - Z240 RV Series).

LOCATING THE RANGE

Do not set range over holes in the floor or other locations where it may be subject to strong drafts. Any opening in the wall behind the range and in the floor under the range should be sealed. Make sure the flow of cooling/ventilation air is not obstructed below the range.

NOTE: A range should NOT be installed over kitchen carpeting.

ANTI-TIP DEVICE INSTALLATION INSTRUCTIONS

NOTE: A risk of range tip over exists if the appliance is not installed in accordance with the installation instructions provided. The proper use of this device minimizes the risk of TIP-OVER. In using this device the consumer must still observe the safety precautions as stated in the USE and CARE MANUAL and avoid using the oven door and/or lower drawer as a step stool.

Installation instructions are provided for wood and cement in either floor or wall. Any other type of construction may require special installation techniques as deemed necessary to provide adequate fastening of the ANTI-TIP bracket to the floor or wall.

STEP 1 - Locating The Bracket (see figure 1)

- Determine where either the right or left rear "edge" of the range will be located and mark the floor or wall.
- Place the BRACKET 15/16" (24 mm) from the marked "EDGE" toward center of opening and against the back wall as shown in figure 1, with orientation hole against wall.
- Use the bracket as a template and mark the required holes, as shown in figure 1 for the type of construction you will be using.

STEP 2 - Anti-Tip Bracket Installation

- Wood Construction:**
 - Floor:** Locate the center of the two holes identified in figure 1 as "HOLES FOR FLOOR". Drill a 1/8" (3 mm) pilot hole in the center of each hole (a nail or awl may be used if a drill is not available). Secure the ANTI-TIP bracket to the floor with the two screws provided. Proceed to STEP 3.
 - Wall:** Locate the center of the two holes identified in figure 1 as "HOLES FOR WALL". Drill an angled 1/8" (3 mm) pilot hole in the center of each hole

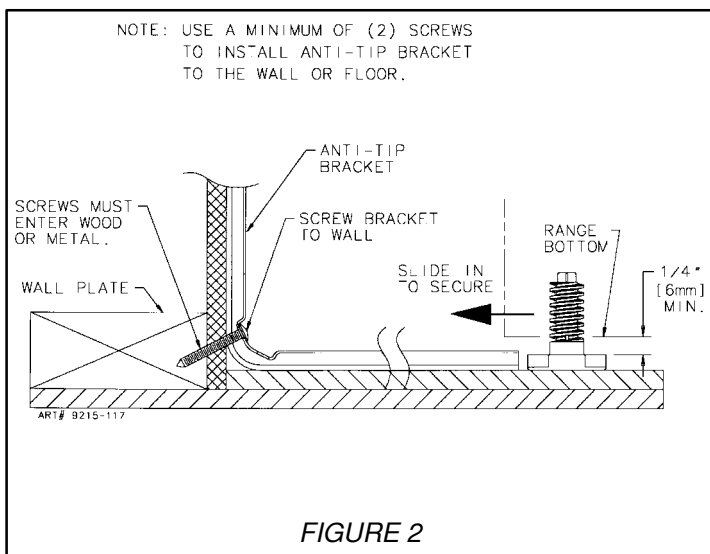
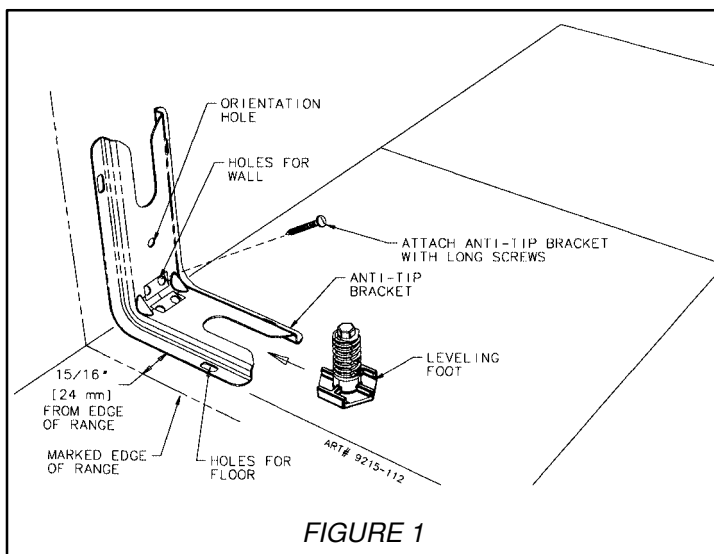
as shown in figure 2. (A nail or awl may be used if a drill is not available). Secure the ANTI-TIP bracket to the wall with the two screws provided as shown in figure 2. Proceed to STEP 3.

B. Cement or Concrete Construction:

- Suitable screws for concrete construction can be obtained at a hardware store. Drill the required size hole for the screws obtained into the concrete at the center of the holes identified in figure 1 as "HOLES FOR FLOOR". Secure the ANTI-TIP bracket to the floor. Proceed to STEP 3.

STEP 3 - Range Installation

- A free-standing range may be installed by one person.
 - Align the range to its designated location and slide it back into position. Note: A minimum clearance of 1/4" (6 mm) is required between the range and the leveling foot that will engage the ANTI-TIP bracket, see figure 2.
- CAUTION:** Damage to the range may occur if range is moved or lifted by grasping the main top or backguard.
- For SAFETY CONSIDERATIONS as well as optimum performance adjust the range so that it is level. This may be checked by placing a spirit level or a large pan of water on the cooktop or the oven rack. If an adjustment is required pull the range forward, tip the range and rotate the leveling feet as required.
 - To check the range for proper installation of the anti-tip bracket: Use a flashlight and look underneath the bottom of the range to see that one of the rear leveling feet is engaged in the bracket slot.
 - Proceed with the remainder of the installation instructions provided with the range.



CONNECTING THE RANGE

ELECTRIC SUPPLY

The appliance, when installed, must be electrically grounded in accordance with local codes or, in the absence of local codes, with the National Electrical Code, ANSI/NFPA 70.

In Canada the range must be installed in accordance with the current CSA Standard C22.1 - Canadian Electrical Code Part 1.

ELECTRICAL SUPPLY CONNECTION:

The range requires 120 volts, 60 cycle alternating current from an outlet. See serial plate for rating.

User may experience occasional circuit tripping if Ground Fault Circuit Interrupter (GFCI) outlet or breaker is in use.

WARNING

Electrical Grounding Instructions

This appliance is equipped with a (three-prong) grounding plug for your protection against shock hazard and should be plugged directly into a properly grounded receptacle. Do not cut or remove the grounding prong from this plug.

WARNING

DISCONNECT ELECTRICAL SUPPLY BEFORE SERVICING THE APPLIANCE.

GAS SUPPLY

Installation of this range must conform with local codes or, in the absence of local codes, with the National Fuel Gas Code, ANSI Z223.1-latest edition.

In Canada the range must be installed in accordance with the current CGA Standard CAN/CGA-B149 - Installation Codes for Gas Burning Appliances and Equipment and/or local codes.

In The Commonwealth Of Massachusetts

This product must be installed by a licensed plumber or gas fitter when installed within the Commonwealth of Massachusetts.

A "T" handle type manual gas valve must be installed in the gas supply line to this appliance.

A flexible gas connector, when used, must not exceed a length of three (3) feet / 36 inches.

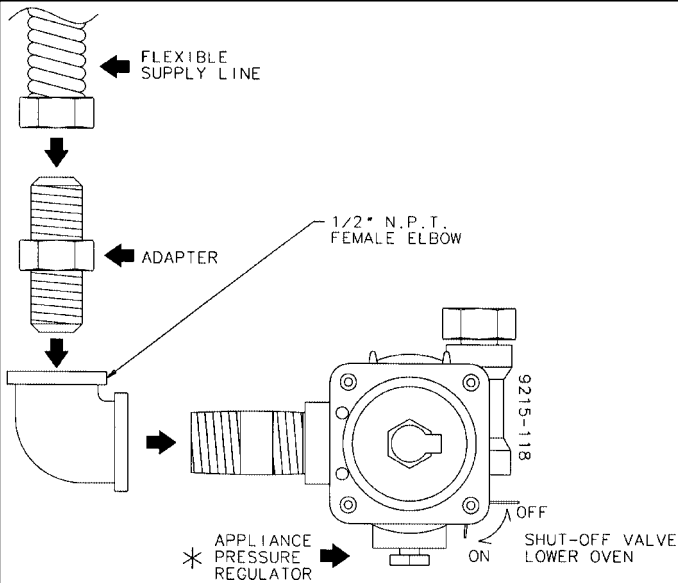
GAS SUPPLY CONNECTION: (See figure 4)

A QUALIFIED SERVICEMAN OR GAS APPLIANCE INSTALLER MUST MAKE THE GAS SUPPLY CONNECTION. Leak testing of the appliance shall be conducted by the installer according to the instructions given in section h.

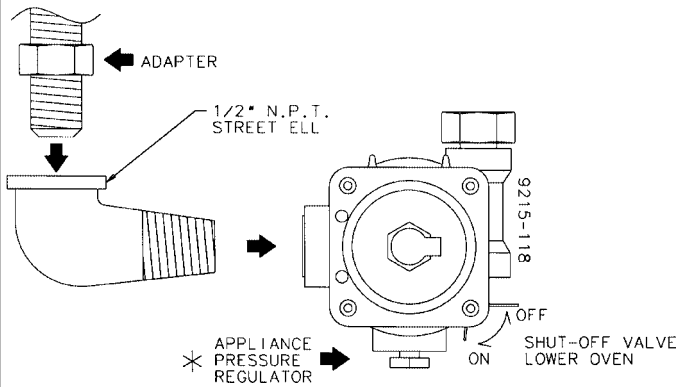
NATURAL GAS SUPPLY LINE MUST HAVE A NATURAL GAS SERVICE REGULATOR. INLET PRESSURE TO THIS APPLIANCE SHOULD BE REDUCED TO A MAXIMUM OF 14 INCHES WATER COLUMN (0.5 POUNDS PER SQUARE INCH (P.S.I.) LIQUEFIED PETROLEUM (L.P.)/PROPANE GAS SUPPLY LINE MUST HAVE A L.P. GAS PRESSURE REGULATOR. INLET PRESSURE TO THIS APPLIANCE SHOULD BE REDUCED TO A MAXIMUM OF 14 INCHES WATER COLUMN (0.5 P.S.I.). INLET PRESSURES IN EXCESS OF 0.5 P.S.I. CAN DAMAGE THE APPLIANCE PRESSURE REGULATOR AND OTHER GAS COMPONENTS IN THIS APPLIANCE AND CAN RESULT IN A GAS LEAK.

- a. A GAS CUTOFF VALVE SHOULD BE PUT IN AN ACCESSIBLE LOCATION IN THE SUPPLY LINE AHEAD OF THE RANGE, FOR TURNING ON AND TURNING OFF GAS SUPPLY. If range is to be connected to house piping with flexible or semi-rigid metal connectors for gas appliances, CONNECTOR NUTS MUST NOT BE CONNECTED DIRECTLY TO PIPE THREADS. THE CONNECTORS MUST BE INSTALLED WITH ADAPTORS PROVIDED WITH THE CONNECTOR.
 - b. The house piping and/or range connector used to connect the range to the main gas supply must be clean, free of metal shavings, rust, dirt and liquids (oil or water). Dirt, etc. in the supply lines can work its way into the range manifold and in turn cause failure of the gas valves or controls and clog burners and/or pilot orifices.
- CAUTION: DO NOT LIFT OR MOVE RANGE BY DOOR HANDLES, OR BACKGUARD.**
- c. Turn off all pilots and main gas valve of other gas appliances.
 - d. Turn off main gas valve at meter.
 - e. Before connecting range, apply pipe thread compound approved for LPG to all threads.
 - f. Connect range to gas supply at appliance pressure regulator using adaptors supplied with flexible connector. Rigid pipe may also be used. See rating plate for type of gas range has been manufactured for.
 - g. Turn on main gas valve at meter, and relight pilots at other gas appliances.

Gas Supply Connections For Ranges With Appliance Pressure Regulator Located In The Bottom Of Range



TO CONNECT GAS SUPPLY TO 1/2" N.P.T. MALE INLET



TO CONNECT GAS SUPPLY TO 1/2" N.P.T. FEMALE INLET

WHEN THE INSTALLER HAS COMPLETED INSTALLATION OF THE APPLIANCE, LEAVE THE APPLIANCE PRESSURE REGULATOR SHUT-OFF VALVE IN THE "ON" POSITION.

Gas Supply Connection For Ranges With Appliance Pressure Regulator Located Under Main Top Of Range

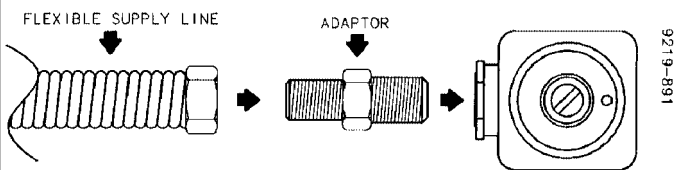


FIGURE 4

Appliance Pressure Regulator & Alternate Connectors

* The appliance pressure regulator on your range may differ from this illustration.

- h. Apply a non-corrosive leak detection fluid to all joints and fittings in the gas connection between the supply line shut-off valve and the range. Include gas fittings and joints in the range if connections were disturbed during installation. Check for leaks! Bubbles appearing around fittings and connections will indicate a leak. If a leak appears, turn off supply line gas shut-off valve, tighten connections, turn on the supply line gas shut off valve, and retest for leaks.

CAUTION: NEVER CHECK FOR LEAKS WITH A FLAME.

WHEN LEAK CHECK IS COMPLETE, WIPE OFF ALL RESIDUE.

- i. Remove shipping screw from ALL top burners. (Conventional top burner models only). This is to hold the burners in place on the burner bracket for shipping purposes only. (See figure 5).
- j. Adjust burner air shutter to the widest opening that will not cause the flame to lift or blow off the burner when cold.

NOTE: Correctly adjusted sealed burners, can have flames that will lift or blow off without a pot over the burner. These should be adjusted with a pot in place.

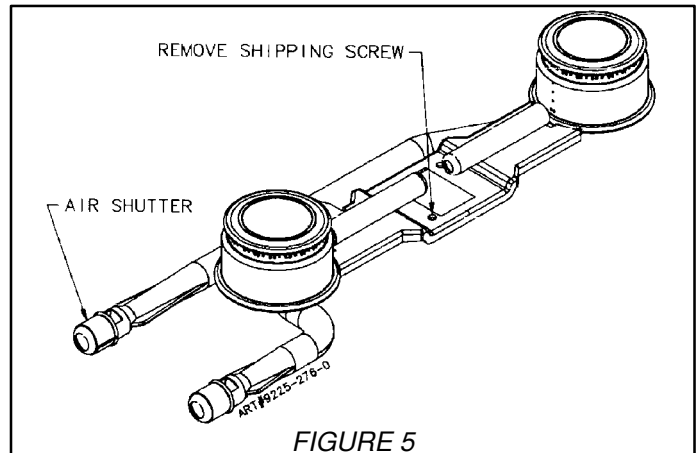


FIGURE 5

CHECKING PRESSURE OF HOUSE PIPING SYSTEM

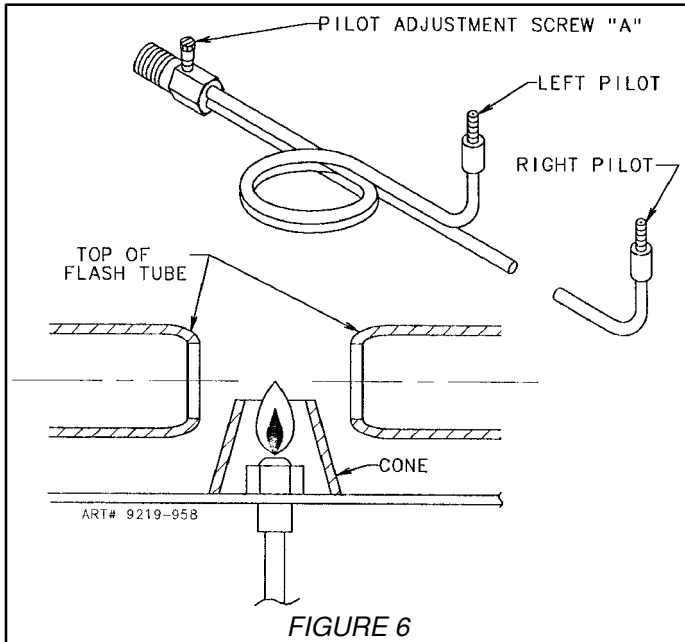
3. The appliance and its individual shutoff valve must be disconnected from the gas supply piping system during any pressure testing of that system at test pressures in excess of 1/2 lbs./sq. in. (3.5 kPa) (13.8 in. water column).
4. The appliance must be isolated from the gas supply piping system by closing its individual manual shutoff valve during any pressure testing of the gas supply piping system at test pressures equal to or less than 1/2 lbs./sq. in. (3.5 kPa) (13.8 in. water column).

RANGE ADJUSTMENTS

Top Section - Gas Top Pilot Adjustment

(See figure 6)

Purge all air from supply system by turning on one top burner valve. Then turn off valve and adjust top pilot flame using adjusting screw "A" (figure 6) so that flame is even with top of flash tube. To light the burner, push and turn top burner knob to the lite position. NOTE: Some models have ONLY one pilot adjustment at the manifold pipe.



Top Section - Electric Ignition

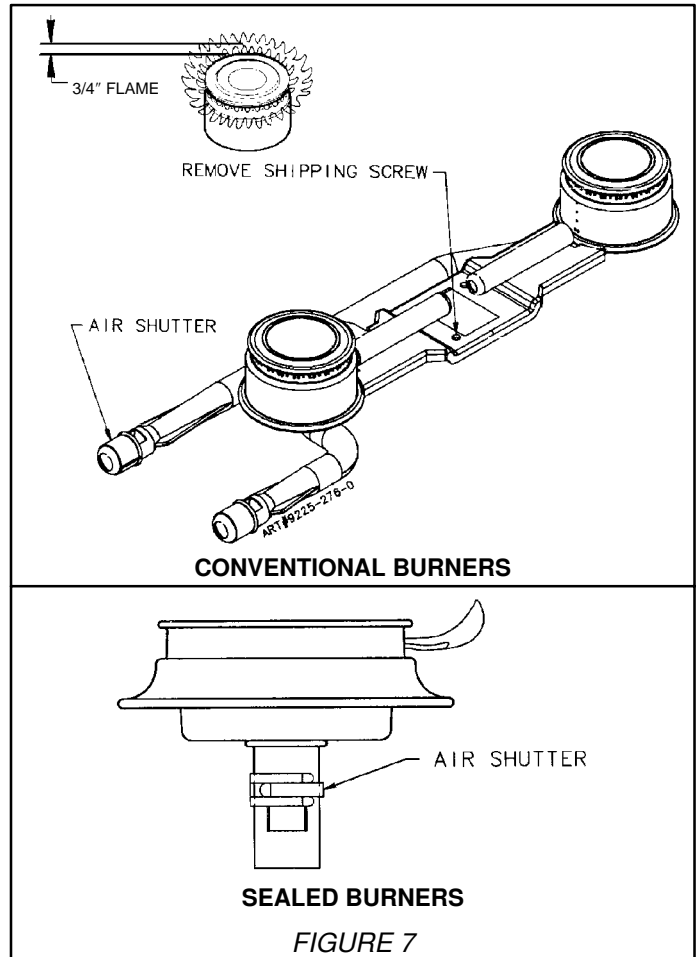
To operate, push and turn top burner knob to the LITE position. The top burner will light. To turn OFF spark after the top burner has ignited turn knob to HI setting.

Top Burner Adjustment

All Top Burner Valves: The approximate height of the flame at the high or full-on position is shown below.

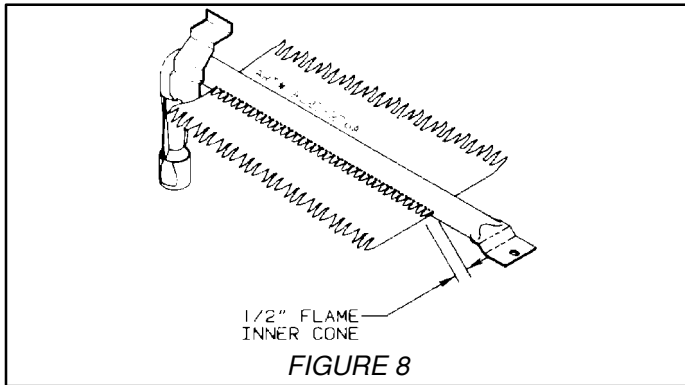
Adjust burner air shutter to the widest opening that will not cause the flame to lift or blow off the burner when cold.

NOTE: Correctly adjusted sealed burners, can have flames that will lift or blow off without a pot over the burner. These should be adjusted with a pot in place.

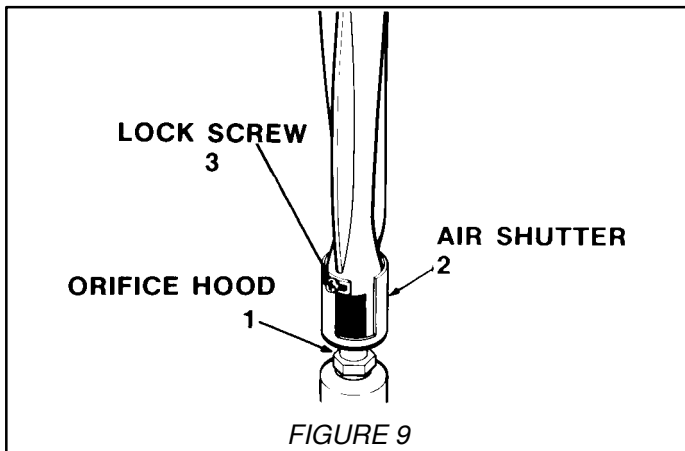


Air Shutter - Oven Burner

- a. The approximate length of the flame of oven burner is a 1/2 inch distinct inner blue flame, figure 8.



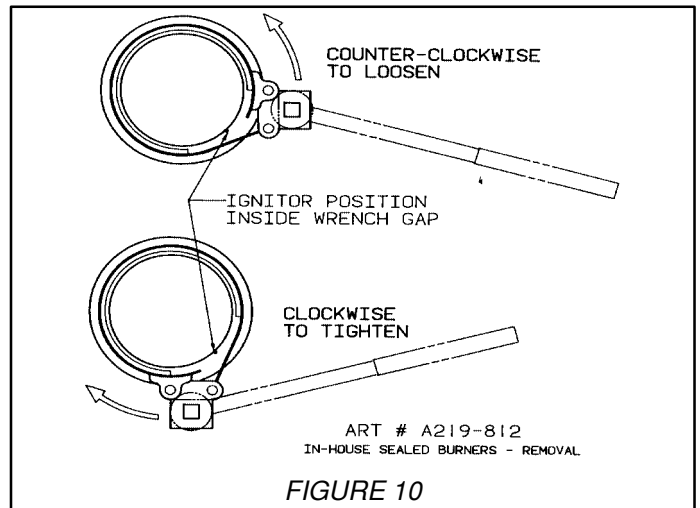
- b. Oven burner flame can be checked as follows:
1. Yellow flame on burner - open burner air shutter to the widest opening that will not cause the flame to lift or blow off the burner when cold. (See #2 on figure 9).
 2. Distinct blue flame but lifting - close burner air shutter to the point where it will not cause the flame to lift or blow off the burner when cold. (See #2 on figure 9).
- c. The oven burner air shutter adjustment is the same on ranges with a gas pilot or electric ignition.



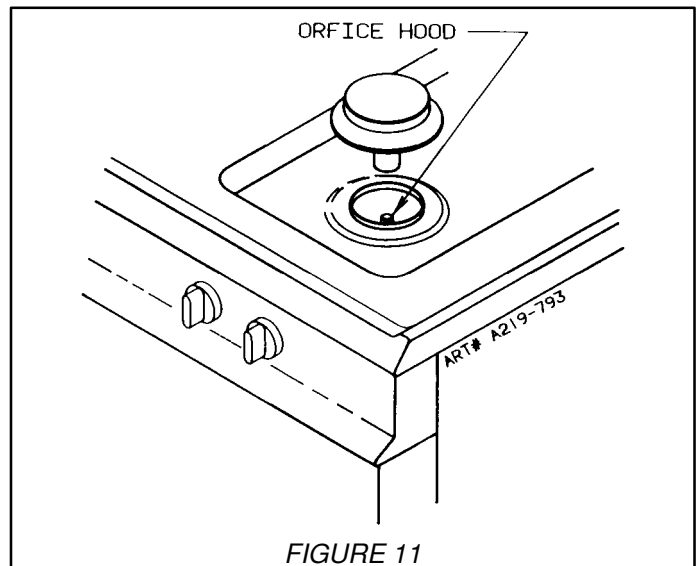
Removing Sealed Burner For Adjustment Or Service:

Mark ignitor location relative to main top with pencil. This mark on the main top is used as a reference point when replacing the burner assembly to insure that the burner is tightened to its original position.

Place burner wrench (part no. 8312D075-60, available from your dealer or authorized service agency) over surface burner assembly with ignitor positioned inside gap in wrench ring (figure 10). This prevents ignitor from being crushed when wrench tightens on burner assembly. Rotate burner assembly approximately one-eighth turn counter-clockwise and lift from main top (figure 11).



To Reassemble: Replace burner assembly in main top and rotate approximately one-eighth turn clockwise using burner wrench until burner locks into position with ignitor aligned with reference mark on main top.



GAS CONVERSION

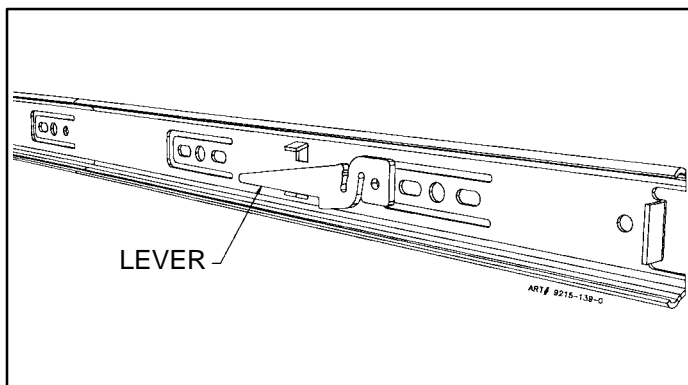
To access the regulator from front of range, remove the storage drawer or warming drawer.

To remove storage drawer: Pull out to the first stop position. Lift up front of drawer and pull to the second stop position, grasp sides and lift up and out to remove drawer.

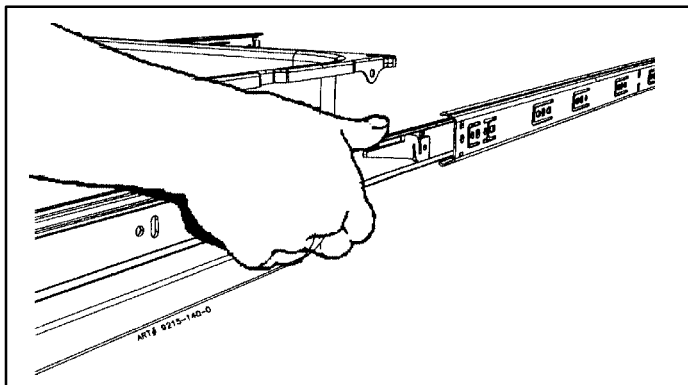
To replace: Fit the drawer rollers onto the rails. Lift up drawer front and gently push in to first stop position. Lift up and continue to slide drawer to the closed position.

TO REMOVE WARMING DRAWER:

1. Empty drawer and pull out to its full open position.
2. Locate the black triangle levers on each side of the drawer.



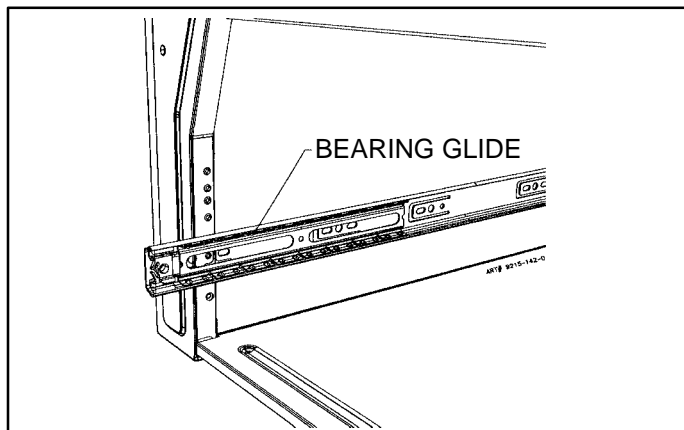
3. Press the lever **DOWN** on the **RIGHT** side and lift the lever **UP** on the **LEFT** side at the same time. Then pull drawer out another inch.



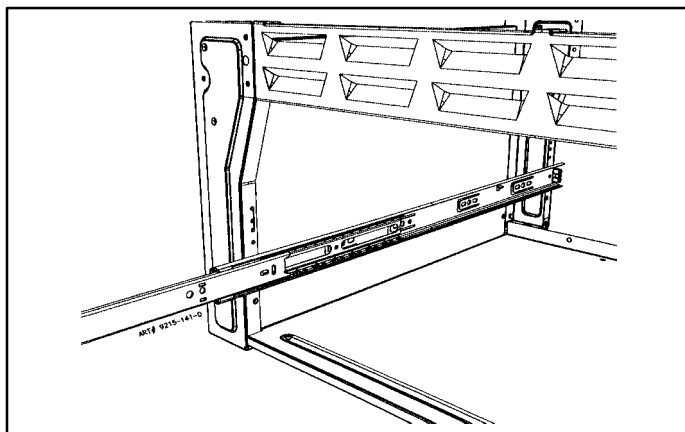
4. Carefully pull the drawer all the way out holding on to the sides, not the drawer front.

TO REPLACE WARMING DRAWER:

- a. Pull the bearing glides to the front of the chassis glide. (See picture below).



- b. Align the glide on each side of the drawer with the glide slots on the range. (See picture below).



- c. Push the drawer into the range until levers "click" (approximately 2"). Pull the drawer open again to seat bearing glides into position. **If you do not hear the levers "click" or the bearing glides do not feel seated remove the drawer and repeat steps a through c.** This will minimize possible damage to the bearing glides.

See Gas Conversion Instructions located on the back of the range in the Assembly Kit.

HOW TO REMOVE RANGE FOR SERVICING

Follow these procedures to remove appliance for servicing:

1. Shut off gas supply to appliance.
2. Disconnect electrical supply to appliance, if equipped.
3. Disconnect gas supply tubing to appliance.
4. Slide range forward to disengage range from the anti-tip bracket. (See page 4).
5. Reverse procedure to reinstall. If gas line has been disconnected, check for gas leaks after reconnection.

NOTE: A qualified servicer should disconnect and reconnect the gas supply.

The servicer **MUST** follow installation instructions provided with the gas appliance connector and the warning label attached to the connector.

6. To prevent range from accidentally tipping, range must be secured to the floor by sliding rear leveling leg into the anti-tip bracket.

SERVICE-PARTS INFORMATION

When your range requires service or replacement parts, contact your dealer or authorized service agency. Please give the complete model and serial numbers of the range which is located on the range model number plate.

INSTALADOR: DEJE ESTAS INSTRUCCIONES CON EL APARATO



MANUAL DE INSTALACIÓN

Estufa independiente de gas de 30 pulgadas (76.2 cm).

CONSERVE ESTE MANUAL COMO REFERENCIA FUTURA

EL MANUAL TIENE LA FINALIDAD DE AYUDARLE EN LA INSTALACIÓN Y LOS AJUSTES INICIALES DE LA ESTUFA.

ADVERTENCIA ESPECIAL

Solamente personal calificado debe instalar o darle servicio a esta estufa.

Lea las “Instrucciones de seguridad” en el Manual de uso y cuidado antes de utilizar la estufa.

La instalación, el ajuste, las alteraciones, el servicio, el mantenimiento o el uso incorrectos de la estufa pueden causar lesiones graves o daños materiales.

DIMENSIONES DEL HUECO

La estufa puede instalarse sin espacio libre en forma adyacente (en contra) de un muro de construcción combustible en la parte trasera y laterales debajo de la superficie para cocinar. Para obtener la información completa relacionada con la instalación de los gabinetes de pared colocados encima de la superficie para cocinar, vea los dibujos de instalación. Como MEDIDA DE SEGURIDAD no instale la estufa en un gabinete que sea combustible que no esté en conformidad con los dibujos de instalación.

* **NOTA:** La dimensión de 30 pulgadas (76 cm) entre la superficie para cocinar y el gabinete de pared que se muestra en el dibujo no se aplica a las estufas con horno elevado. La dimensión de 30 pulgadas (76 cm) debe reducirse a no menos de 24 pulgadas (61 cm) cuando los gabinetes de pared en la casa estén protegidos con materiales a prueba de incendios según los Códigos Nacionales de Gas Combustible o en las casas móviles cuando estén protegidas con materiales a prueba de incendios según la Norma Federal para la Construcción y Seguridad de Casas.

No debe usarse el espacio de almacenamiento del gabinete que está encima de la estufa, a fin de eliminar el riesgo de quemaduras o incendios al tener que alcanzar algo por encima de la estufa. Si se va a proporcionar espacio para almacenar, puede reducirse el riesgo si se instala una campana para estufa que sobresalga horizontalmente cuando menos 5 pulgadas (13 cm) de la parte inferior de los gabinetes.

PRECAUCIÓN: Esta estufa se ha diseñado en conformidad con los requisitos de varias agencias de seguridad y cumple con las temperaturas máximas permisibles de 194°F (90°C) para los gabinetes de madera. Si se instala esta estufa en gabinetes que tengan una temperatura de trabajo menor de 194°F (90°C), podrían ocurrir decoloración, pérdida del laminado o podría derretirse.



ADVERTENCIA

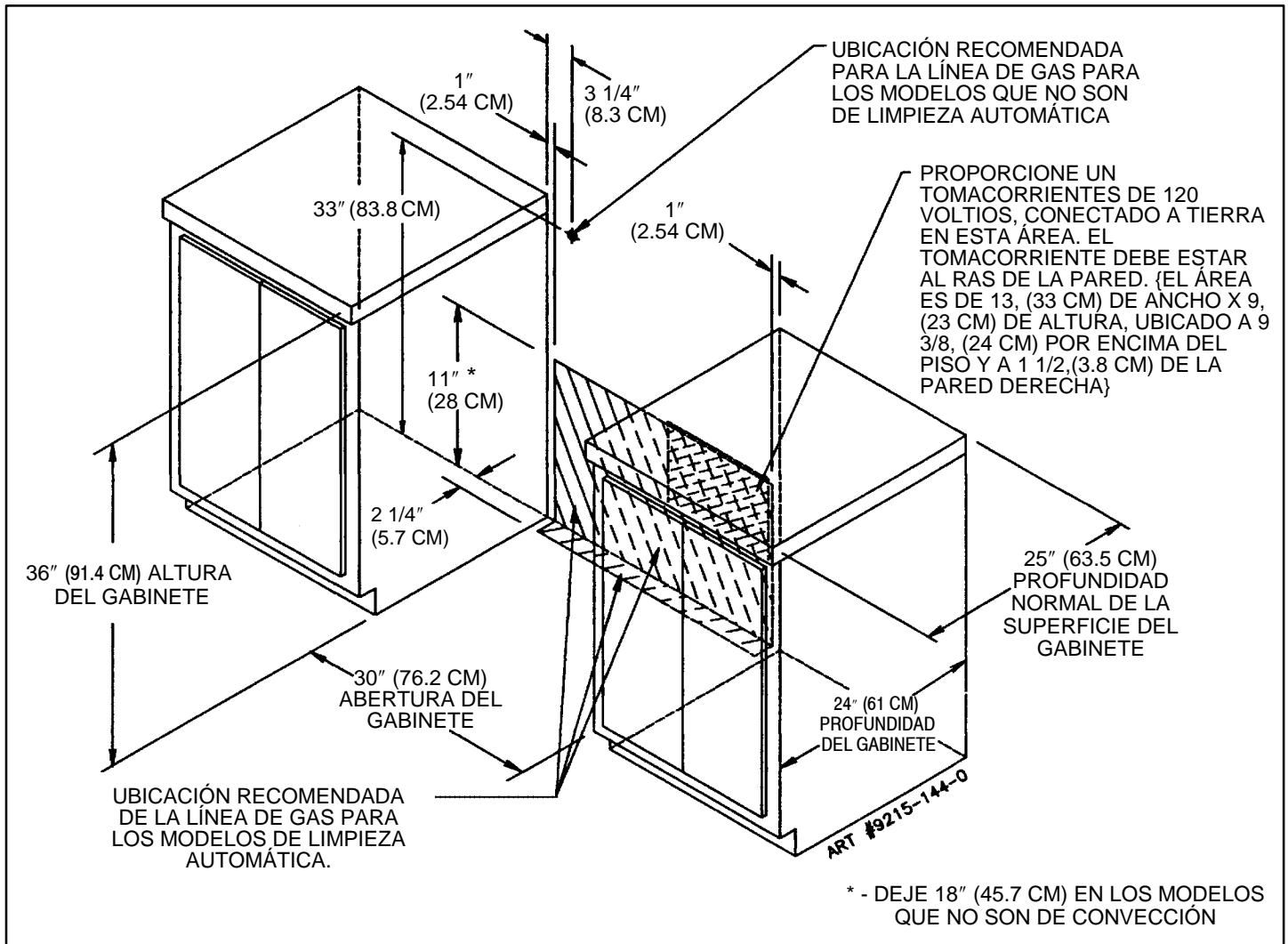
- **TODAS LAS ESTUFAS PUEDEN LADEARSE Y CAUSAR LESIONES A LAS PERSONAS.**
- **INSTALE LOS SOPORTES ESTABILIZADORES QUE SE INCLUYEN CON LA ESTUFA.**
- **SIGA TODAS LAS INSTRUCCIONES DE INSTALACIÓN.**

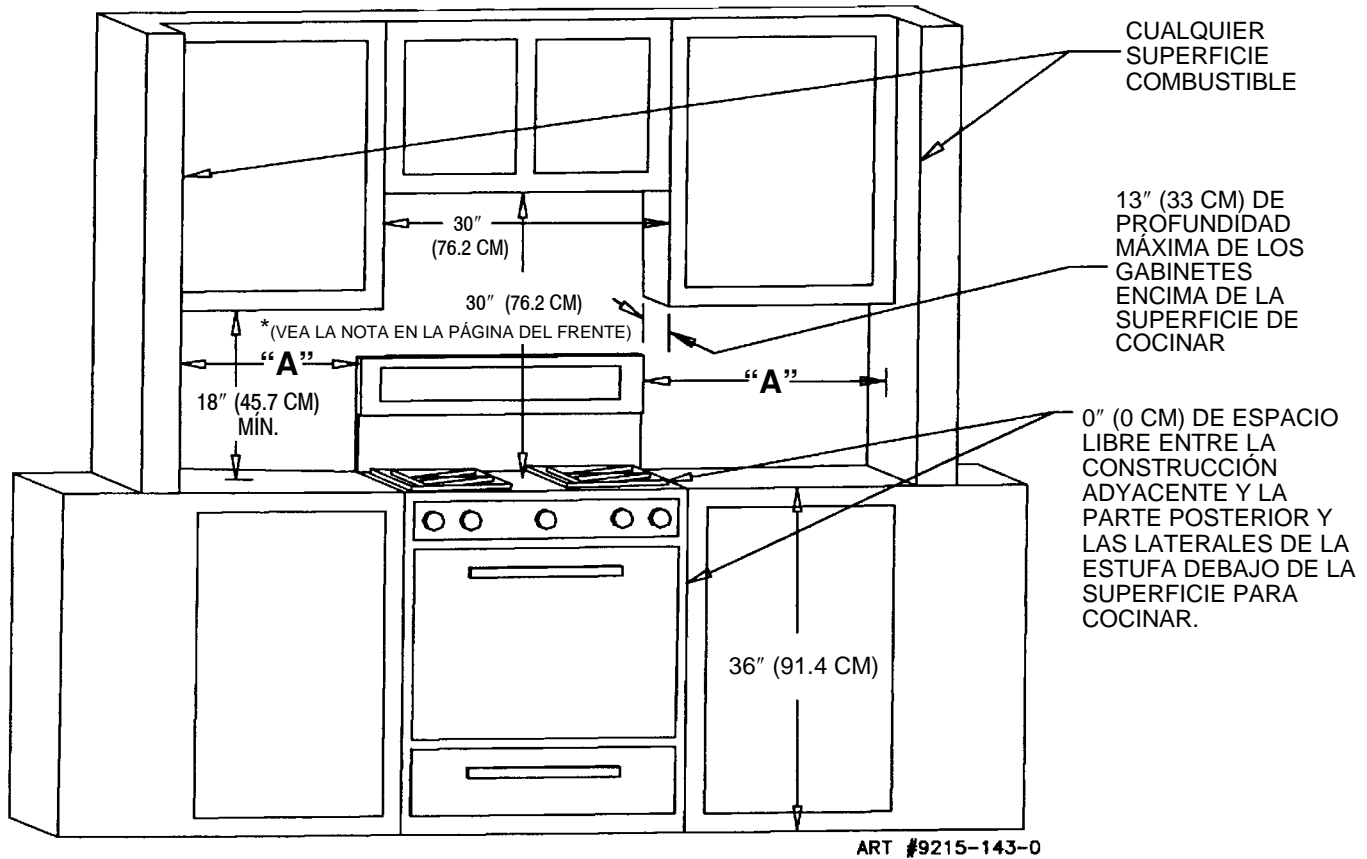


Es posible que su estufa no esté equipada con algunas de las características mencionadas en este manual.

DIBUJOS DE INSTALACIÓN

INDEPENDIENTE





DIMENSIÓN "A" DEL ESPACIO LIBRE DEBAJO DE LA SUPERFICIE PARA COCINAR

CLASIFICACIÓN PARA GAS NATURAL DEL QUEMADOR SUPERIOR (VEA LA PLACA DE CLASIFICACIÓN)	HORNO CONVENCIONAL	HORNO DE LIMPIEZA AUTOMÁTICA
9,200 BTU/HORA O MENOS	0 PULG. (0 CM)	3 PULG. (7.6 CM)
MÁS DE 9,200 BTU/HORA	1 PULG. (2.54 CM)	3 PULG. (7.6 CM)

Verifique la placa del número de modelo para asegurarse que la estufa esté aprobada para instalarse en casas móviles o en vehículos de recreación. Si lo está, se aplicarán los puntos siguientes.

CASAS MÓVILES

La instalación de una estufa diseñada para casas móviles debe estar en conformidad con las Normas de Seguridad y Construcción de Casas Prefabricadas (Manufactured Home Construction and Safety Standard), Título 24 CFR, Parte 3280 [anteriormente Federal Standard for Mobile Home Construction and Safety, Título 24 HUD, (Parte 280)] o, cuando dichas normas no correspondan, las Normas para Instalaciones en Casas Prefabricadas, ANSI A225.1/NFPA 501A, o con los códigos locales.

En Canadá la estufa debe instalarse de acuerdo a las Normas CSA C22.1 actuales, el Código Eléctrico Canadiense Parte 1 y Sección Z240.4.1, los Requisitos de Instalación para Aparatos que Queman Gas en Casas Móviles (CSA Standard CAN/CSA - Z240MH).

VEHÍCULOS DE RECREACIÓN

La instalación de una estufa diseñada para vehículos de recreación debe estar en conformidad con los códigos estatales u otros distintos, o si dichos códigos no existieran, con la última edición de las Normas para Vehículos de Recreación (Standard for Recreational Vehicles), ANSI A119.5.

En Canadá la estufa debe instalarse de acuerdo a los Requisitos Eléctricos para Vehículos de Recreación CAN/CSA - Z240.6.2, (CSA Standard CAN/CSA - Z240 RV Series y la Sección Z240.4.2 —Requisitos de Instalación para Aparatos y Equipo de Propano en Vehículos de Recreación (Norma CSA de CAN/CSA — Serie Z240 RV).

UBICACIÓN DE LA ESTUFA

No coloque la estufa sobre agujeros del piso ni en algún otro lugar en donde pueda recibir corrientes de aire fuertes. Deben sellarse los orificios de la pared posterior y del piso debajo de la estufa. Asegúrese que el flujo de aire de enfriamiento o de ventilación NO esté obstruido debajo de la estufa.

NOTA: NO debe instalarse una estufa sobre alfombras de cocina.

INSTRUCCIONES DE INSTALACIÓN DEL SOPORTE ESTABILIZADOR

NOTA: Existe el riesgo de que se ladee la estufa si no está instalada de acuerdo a las instrucciones de instalación proporcionadas. El uso correcto de este dispositivo reduce el riesgo de LADEO. Al usar este dispositivo el consumidor aún debe acatar las precauciones de seguridad que se incluyen en el MANUAL DE USO y CUIDADO y debe evitar utilizar las puertas o el cajón inferior del horno como banquillo.

Las instrucciones de instalación se proporcionan para madera y cemento tanto en piso como en pared. Cualquier otro tipo de construcción podría necesitar técnicas especiales de instalación según se determine necesario para proporcionar la sujeción adecuada del soporte ESTABILIZADOR al piso o a la pared.

PASO 1 – Ubicación del soporte (vea la figura 1)

- Decida en dónde se ubicará el “borde” posterior izquierdo o derecho de la estufa y marque el piso o la pared.
- Coloque el SOPORTE a 5/16” (24 mm) del “BORDE” marcado hacia el centro de la abertura y contra la pared posterior según se muestra en la figura 1, con el orificio de orientación contra la pared.
- Use el soporte como plantilla y marque los orificios necesarios, según se muestra en la figura 1, para el tipo de construcción que se va a utilizar.

PASO 2 - Instalación del soporte estabilizador

- Construcción de madera:
 - Piso: Ubique el centro de los dos orificios que se identifican en la figura 1 como “ORIFICIOS PARA EL PISO”. Taladre un agujero piloto de 1/8 (3 mm) en el centro de cada orificio (puede utilizarse un clavo o una lezna si no tiene una broca). Asegure el soporte ESTABILIZADOR al piso con los dos tornillos que se proporcionan. Continúe con el PASO 3.
 - Pared: Ubique el centro de los dos orificios que se identifican en la figura 1 como “ORIFICIOS PARA LA PARED”. Taladre un agujero piloto en ángulo de 1/8” (3 mm) en el centro de cada

orificio según se muestra en la figura 2. (Puede utilizarse un clavo o una lezna si no tiene una broca). Asegure el soporte ESTABILIZADOR al piso con los dos tornillos que se proporcionan según se muestra en la figura 2. Continúe con el PASO 3.

B. Construcción de concreto o cemento:

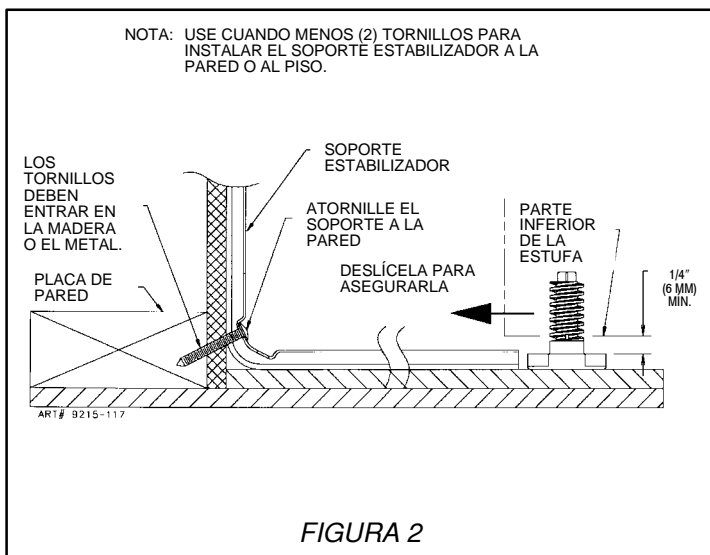
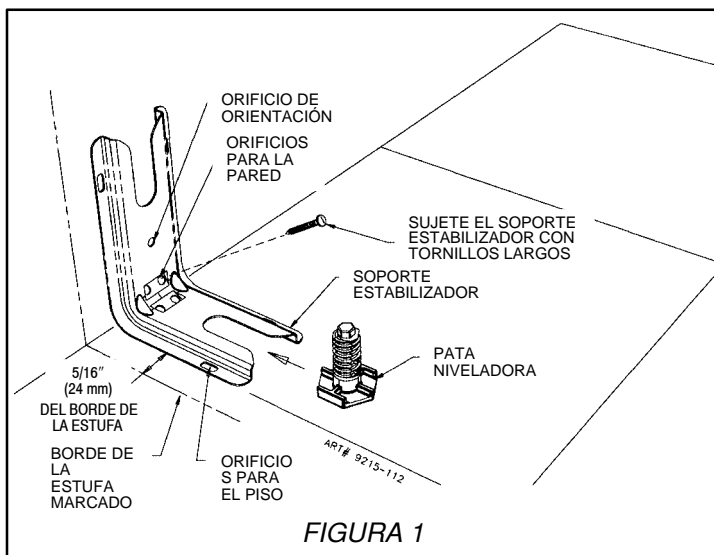
- En una ferretería pueden obtenerse los tornillos adecuados para las construcciones de concreto. Taladre un agujero del tamaño necesario para los tornillos obtenidos, en el concreto en el centro de los orificios que se identifican en la figura 1 como “ORIFICIOS PARA EL PISO”. Asegure el soporte al piso. Continúe con el PASO 3.

PASO 3 – Instalación de la estufa

- Una sola persona puede instalar una estufa individual.
- Alinee la estufa en la ubicación que se desee y deslícela hacia atrás en su lugar. Nota: Se necesita una distancia mínima de 1/4” (6 mm) entre la estufa y la pata niveladora que asegurará el SOPORTE ESTABILIZADOR, vea la figura 2.

PRECAUCIÓN: Podrían ocurrirle daños a la estufa si se mueve o levanta sosteniéndola por la parte superior principal o el protector posterior.

- Por CONSIDERACIONES DE SEGURIDAD así como para el funcionamiento óptimo ajuste la estufa para que quede bien nivelada. Esto puede revisarse colocando un nivel de aire o un recipiente grande con agua sobre la estufa o en la parrilla del horno. Si es necesario ajustarla estire la estufa hacia delante, ladéela y gire las patas niveladoras según sea necesario.
- Para revisar que el soporte antiladeo esté instalado correctamente en la estufa: Use una linterna y vea debajo de la parte inferior de la estufa para comprobar que una de las patas niveladoras posteriores esté asegurada a la ranura del soporte.
- Continúe con el resto de las instrucciones de instalación que se proporcionan con la estufa.



CONEXIÓN DE LA ESTUFA

SUMINISTRO ELÉCTRICO

La estufa, cuando se instale, debe estar conectada a tierra de acuerdo con los códigos locales, o si no los hubiera, con el Código Nacional Eléctrico, ANSI/NFPA 70.

En Canadá la estufa debe instalarse de acuerdo con las Normas actuales del Código Eléctrico Canadiense CSA STD.C22.1, Parte 1.

CONEXIÓN DEL SUMINISTRO ELÉCTRICO:

La estufa requiere un tomacorriente de 60 ciclos de corriente alterna de 120 voltios. Vea la placa de serie para encontrar la clasificación.

El usuario puede experimentar la desconexión ocasional del circuito si está en uso el interruptor accionado por corriente de pérdida a tierra del circuito (GFCI).



ADVERTENCIA

Instrucciones de la conexión a tierra

Este aparato está equipado con una clavija de tierra (con tres puntas) para protegerlo contra descargas eléctricas y deberá conectarse directamente en un receptáculo conectado a tierra apropiadamente. No corte ni elimine la punta de conexión a tierra de esta clavija.



ADVERTENCIA

DESCONECTE EL SUMINISTRO ELÉCTRICO ANTES DE DARLE SERVICIO AL APARATO.

SUMINISTRO DE GAS

La instalación de esta estufa debe estar en conformidad con los códigos locales, o si no existieran, con la última edición del Código Nacional de Gas Combustible, ANSI Z223.1.

En Canadá la estufa debe instalarse en conformidad con las Normas CGA actuales CAN/CGA-B149 —y con los Códigos de Instalación para Aparatos y Equipo que Queman Gas y/o con los códigos locales.

En la Commonwealth de Massachusetts

Este producto debe instalarse por un plomero o un instalador de gas certificado cuando está instalado dentro de la Commonwealth de Massachusetts.

Debe instalarse en el electrodoméstico una válvula de gas tipo "T" manual en la tubería del suministro de gas.

Cuando se utiliza un conector flexible de gas, no debe exceder una longitud de tres (3) pies o 36 pulgadas (91,4 cm).

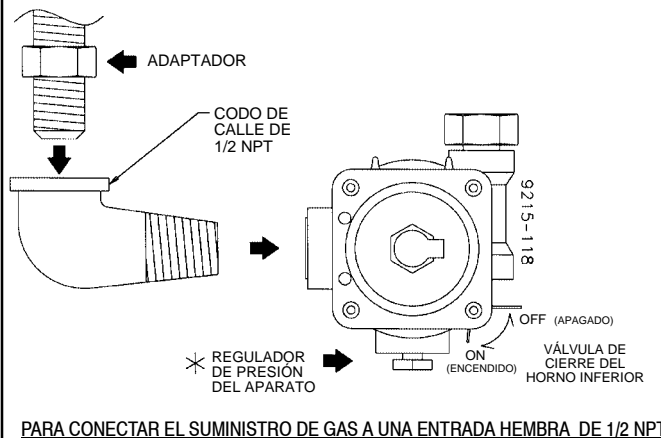
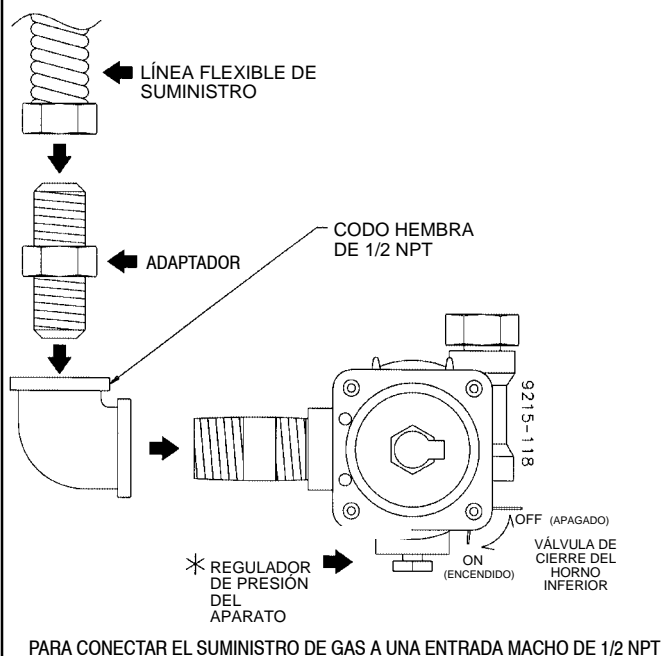
CONEXIÓN DEL SUMINISTRO DE GAS: (Vea la figura 4)

LA CONEXIÓN DEL SUMINISTRO DE GAS DEBE REALIZARLA UN TÉCNICO DE SERVICIO CALIFICADO EN LA INSTALACIÓN DE APARATOS DE GAS. Las pruebas de fugas de gas las debe realizar el instalador de acuerdo a las instrucciones que aparecen en la sección h.

LA LÍNEA DE SUMINISTRO DE GAS NATURAL DEBE TENER UN REGULADOR DE SERVICIO DE GAS NATURAL. LA PRESIÓN DE ENTRADA AL APARATO DEBE REDUCIRSE A UNA COLUMNA DE AGUA DE UN MÁXIMO DE 14 PULGADAS (35.6 CM) (0.5 LIBRAS POR PULGADA CUADRADA [PSI, POR SUS SIGLAS EN INGLÉS]). LA LÍNEA DE SUMINISTRO DE GAS PROPANO (PETROLEO LÍQUIDO, LP) DEBE TENER UN REGULADOR DE PRESIÓN DE GAS LP. LA PRESIÓN DE ENTRADA DE ESTE APARATO DEBE REDUCIRSE A UNA COLUMNA DE AGUA DE UN MÁXIMO DE 14 PULGADAS (35.6 CM) (0.5 PSI). LA PRESIÓN MÁS ALTA QUE ESTO PUEDE DAÑAR EL REGULADOR DE PRESIÓN DEL APARATO Y OTROS COMPONENTES DE GAS EN ESTE APARATO Y PUEDE CAUSAR FUGAS DE GAS.

- a. DEBE COLOCARSE UNA VÁLVULA DE CIERRE DE GAS EN UN LUGAR ACCESIBLE EN LA LÍNEA DE SUMINISTRO ANTERIOR A LA ESTUFA, PARA ENCENDER Y APAGAR EL SUMINISTRO DE GAS. Si se va a colocar la estufa a la tubería de la casa con conectores metálicos flexibles o semirígidos para aparatos de gas, LAS TUERCAS DEL CONECTOR NO DEBERÁN ESTAR CONECTADAS DIRECTAMENTE EN LAS ROSCAS DE LA TUBERÍA. LOS CONECTORES DEBERÁN INSTALARSE CON LOS ADAPTADORES PROPORCIONADOS CON EL CONECTOR.
- b. La tubería de la casa y/o el conector de la estufa que se usen para conectar la estufa al suministro principal de gas deberán estar limpios, sin desechos metálicos, corrosión, tierra y líquidos (aceite o agua). Los desperdicios, etc., en las líneas de suministro pueden trasladarse al múltiple de la estufa y causar fallas de las válvulas o de los controles de gas y obstruir los quemadores y/o los orificios de los pilotos.
PRECAUCIÓN: NO LEVANTE NI MUEVA LA ESTUFA POR LAS ASAS DE LA PUERTA NI POR EL PROTECTOR POSTERIOR.
- c. Apague todos los pilotos y la válvula principal de gas de otros aparatos de gas.
- d. Apague la válvula principal de gas en el medidor.
- e. Antes de conectar la estufa, aplique compuesto para roscas de tubería que esté aprobado para gas propano a todas las uniones.
- f. Conecte la estufa al suministro de gas en el regulador de presión del aparato con un conector flexible. También puede usar tubería rígida. Vea la placa de clasificación para encontrar el tipo de estufa de gas para el que se fabricó.
- g. Abra la válvula principal de gas en el medidor, y vuelva a encender los pilotos en los otros aparatos de gas.

Conexiones del suministro de gas para estufas con el regulador de presión para aparatos ubicado en la parte inferior de la estufa



CUANDO EL INSTALADOR TERMINE DE INSTALAR EL APARATO, DEJE LA VÁLVULA DE CIERRE DEL REGULADOR EN LA POSICIÓN "ON" (ABIERTA).

Conexión del suministro de gas para estufas con el regulador de presión para aparatos ubicado debajo de la superficie principal de la estufa

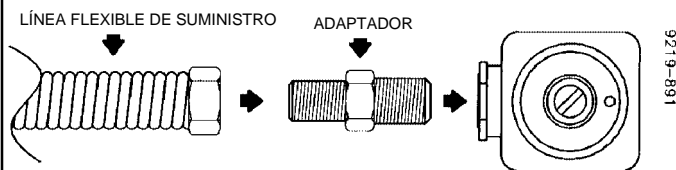


FIGURA 4

Regulador de presión para aparatos y conectores alternos

* El regulador de presión para aparatos de su estufa puede ser distinto al de la ilustración.

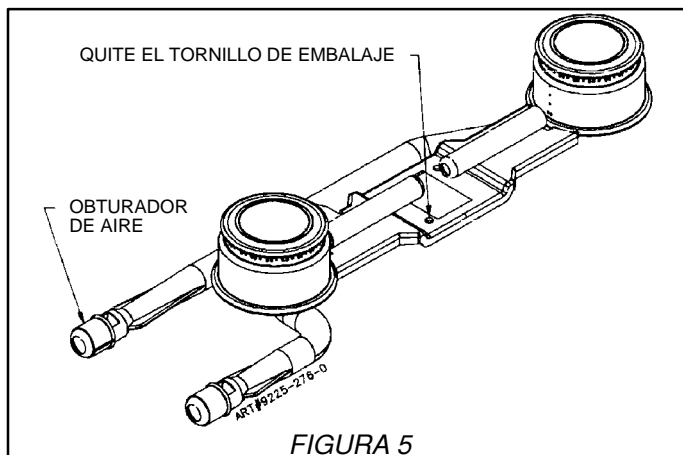
- h. Aplique un líquido anticorrosivo para detección de fugas en todas las uniones y los accesorios de la conexión de gas entre la válvula de cierre de la tubería de suministro y la estufa. Incluya los accesorios de gas y las uniones en la estufa si se movieron las conexiones durante la instalación. Revise que no haya fugas. Si aparecen burbujas alrededor de los accesorios y las conexiones significa que hay una fuga. Si eso sucede, cierre la válvula del suministro de gas, apriete las conexiones, abra la válvula de cierre del suministro de gas, y vuelva a verificar si hay fugas.

PRECAUCIÓN: NUNCA REVISE SI HAY FUGAS CON UNA LLAMA ENCENDIDA.

CUANDO TERMINE DE REVISAR LAS FUGAS, LIMPIE TODOS LOS RESIDUOS.

- i. Quite los tornillos de embarque de TODOS los quemadores de la superficie. (Los modelos con quemadores convencionales solamente). Éstos son para mantener los quemadores en su lugar en el soporte del quemador durante el embarque solamente. (Vea la figura 5).
- j. Ajuste el obturador de aire del quemador a la posición más abierta que no haga que la llama se levante o se apague cuando el quemador esté frío.

NOTA: Los quemadores sellados correctamente ajustados pueden tener llamas que se levantarán o apagarán sin un recipiente sobre el quemador. Éstos deben ajustarse con una olla en su lugar.



REVISIÓN DE LA PRESIÓN DEL SISTEMA DE TUBERÍA DE LA CASA

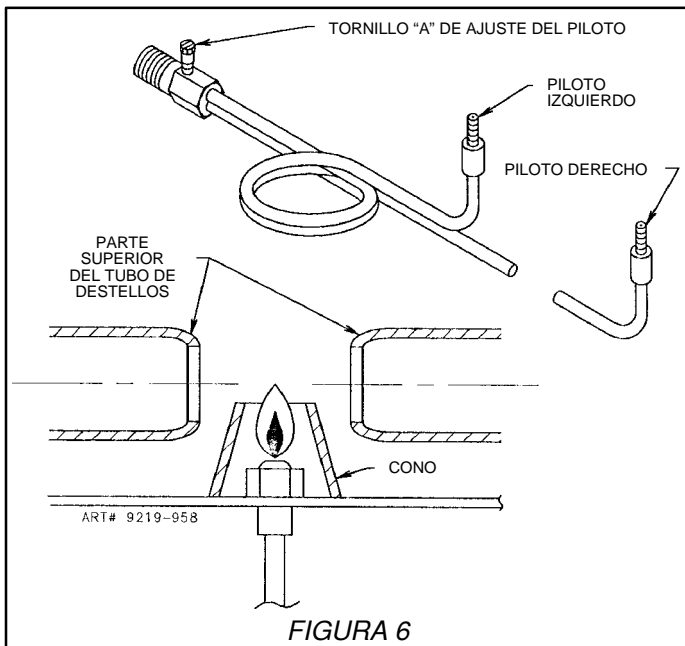
1. El aparato y su válvula individual de cierre deberán estar desconectados del sistema de suministro de gas durante la verificación de la presión del sistema cuando se pruebe a presiones superiores a 1/2 libras/pulg² (3.5 kPa) (columna de agua de 13.8").
2. El aparato debe aislarse del sistema de suministro de gas cerrando la válvula de cierre manual individual durante cualquier prueba de presión del sistema de tubería de suministro en pruebas de presión iguales o menores a 1/2 libras/pulg² (3.5 kPa) (columna de agua de 13.8").

AJUSTES DE LA ESTUFA

Sección superior – Ajuste del piloto superior de gas

(Vea la figura 6)

Purgue todo el aire del sistema de suministro abriendo una válvula de quemador superior a la vez. Entonces cierre la válvula y ajuste la llama del piloto superior usando el tornillo de ajuste "A" (figura 6) de manera que la llama quede pareja con la parte superior del tubo de destello. Para encender el quemador, empuje y gire la perilla del quemador superior a la posición de encendido. NOTA: Algunos modelos tienen SOLAMENTE un ajuste de piloto en la tubería del múltiple.



Sección superior – Encendido eléctrico

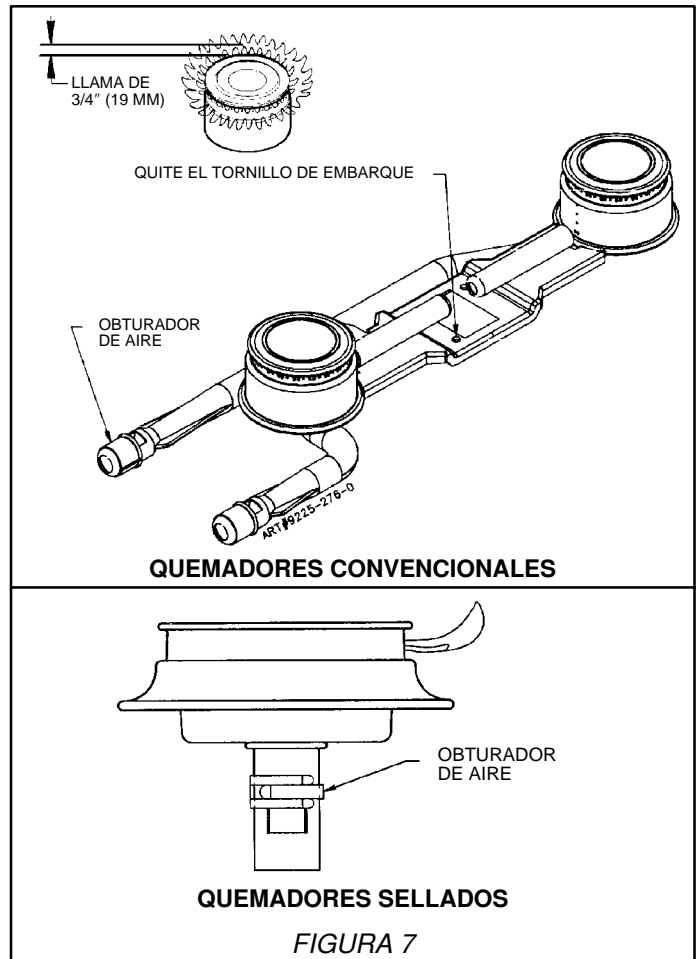
Para operarlo, empuje y gire la perilla del quemador a la posición LITE (ENCENDIDO). El quemador superior se encenderá. Para APAGAR los destellos después de que el quemador se haya encendido, gire la perilla a la posición HI (ALTA).

Ajuste del quemador superior

Todas las válvulas del quemador superior:

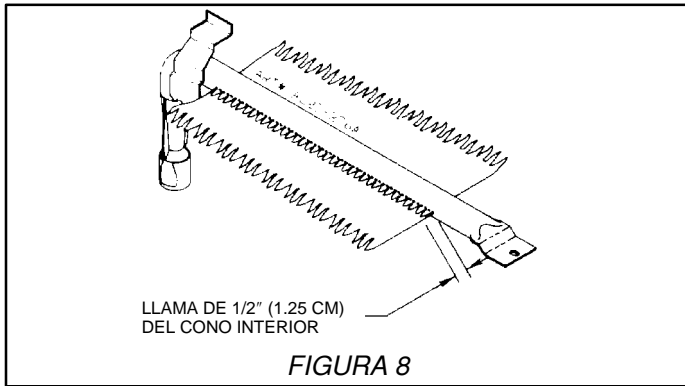
A continuación se muestra la altura aproximada de la llama en la posición más alta o más llena.

Ajuste el obturador de aire del quemador a la posición más abierta que no cause que la llama se levante o se apague cuando el quemador esté frío. NOTA: Los quemadores correctamente ajustados tienen llamas que pueden levantarse o apagarse sin una olla encima del quemador. Éstos deben ajustarse con una olla encima.

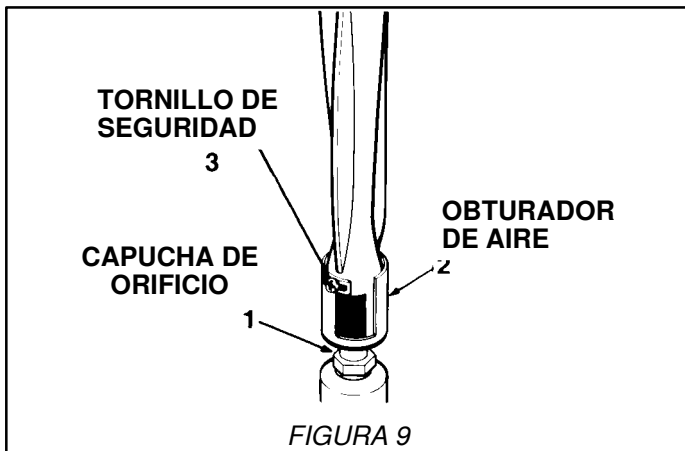


Obturador de aire – Quemador del horno

- a. La altura aproximada de la llama del quemador del horno es de 1/2" (1.25 cm) tiene un marcado color azul en el centro interno, figura 8.



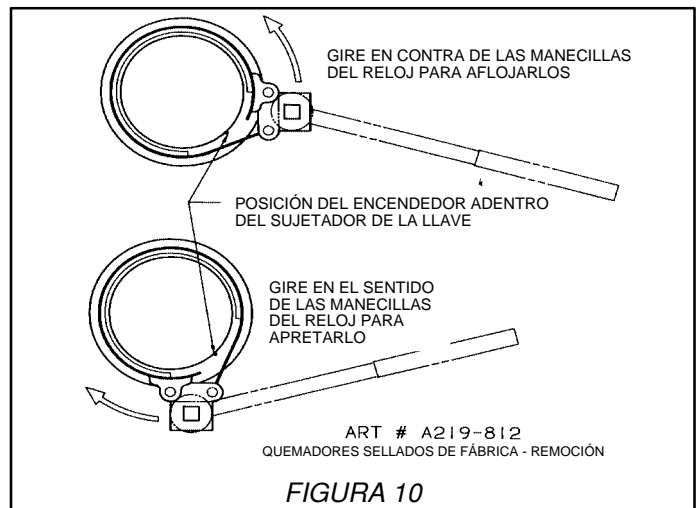
- b. La llama del quemador del horno puede verificarse del modo siguiente:
1. Llama amarilla en el quemador: abra el obturador de aire del quemador a la posición más amplia que no cause que la llama se levante o se apague cuando el quemador esté frío. (Vea el No. 2 en la figura 9).
 2. Llama marcadamente azul pero levantándose: cierre el obturador de aire hasta el punto que no cause que la llama se levante o se apague cuando el quemador esté frío. (Vea el No. 2 en la figura 9).
- c. El ajuste del obturador de aire del quemador es el mismo en las estufas con piloto de gas o con encendido eléctrico.



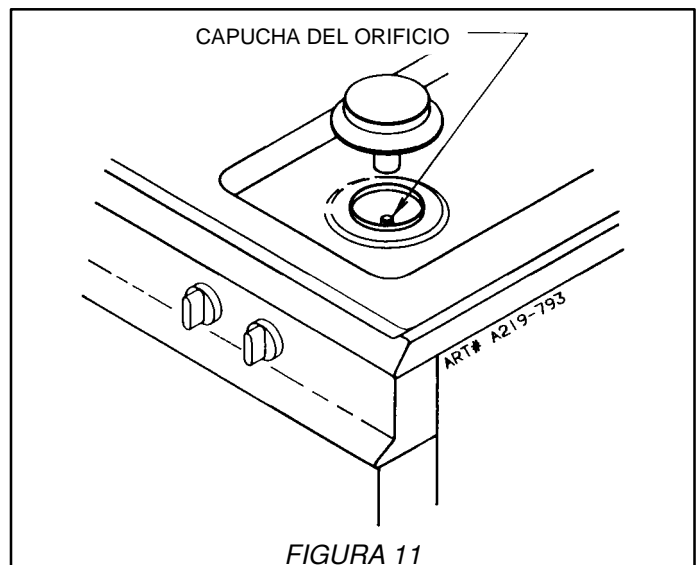
Remoción del quemador sellado para ajustarlo o darle servicio:

Marque con un lápiz la ubicación del encendedor en relación con la superficie principal. Esta marca se usará como punto de referencia cuando reemplace el ensamblaje del quemador para garantizar que el quemador esté apretado en su posición original.

Coloque la llave de tuercas del quemador (pieza No. 8312D075-60, disponible con el distribuidor o agencia autorizada de servicio) sobre el ensamblaje del quemador de la superficie con el encendedor colocado adentro del agarre del anillo de la llave (figura 10). Esto impide que el encendedor se aplaste cuando la llave se aprieta en el ensamblaje del quemador. Gire el ensamblaje del quemador un octavo de vuelta aproximadamente en sentido contrario al de las manecillas del reloj y levántelo de la superficie principal (figura 11).



Para volver a ensamblarlo: Coloque de nuevo el ensamblaje del quemador en la superficie principal y gírelo un octavo de vuelta aproximadamente en el sentido de las manecillas del reloj hasta que éste se trabe en su lugar con el encendedor alineado con la marca de referencia en la superficie principal.



CONVERSIÓN DE GAS

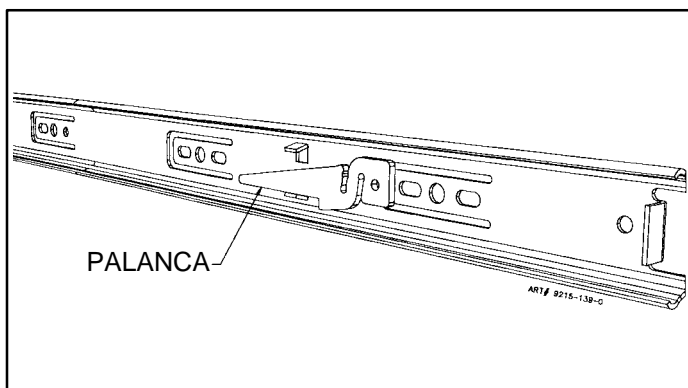
Para lograr acceso al regulador por la parte delantera de la estufa, quite el cajón de almacenaje o el cajón calentador.

Para quitar el cajón de almacenaje: sáquelo hasta la primera posición de tope. Levante el frente del cajón y sáquelo hasta la segunda posición de tope, sujete ambos lados y levántelo para quitarlo.

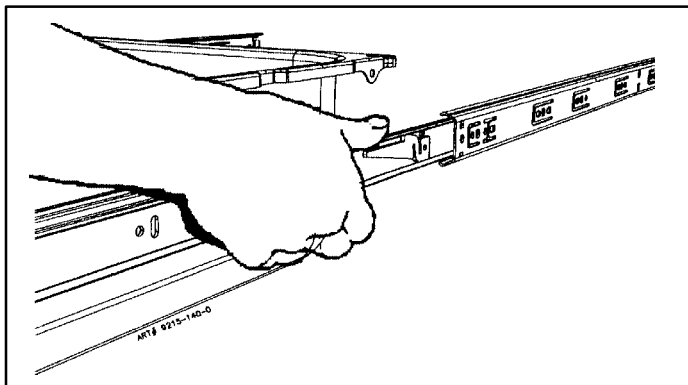
Para volver a colocarlo: acomode los rodillos del cajón dentro de los rieles. Levante el frente del cajón y empujelo suavemente hasta la primera posición de tope. Levante y continúe deslizando el cajón hasta que quede cerrado.

PARA QUITAR EL CAJÓN CALENTADOR:

1. Vacíe el cajón y sáquelo todo lo que se pueda.
2. Localice las palancas triangulares negras en cada lado del cajón.



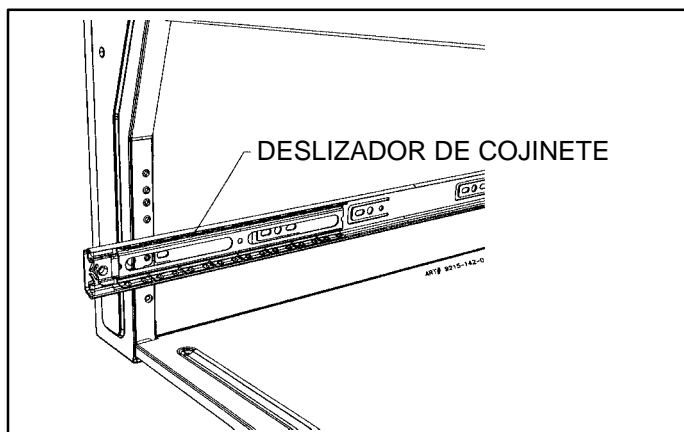
3. Oprima la palanca hacia ABAJO en el lado DERECHO y levante la palanca hacia ARRIBA en el lado IZQUIERDO al mismo tiempo. Después saque el cajón otra pulgada (2.5 cm).



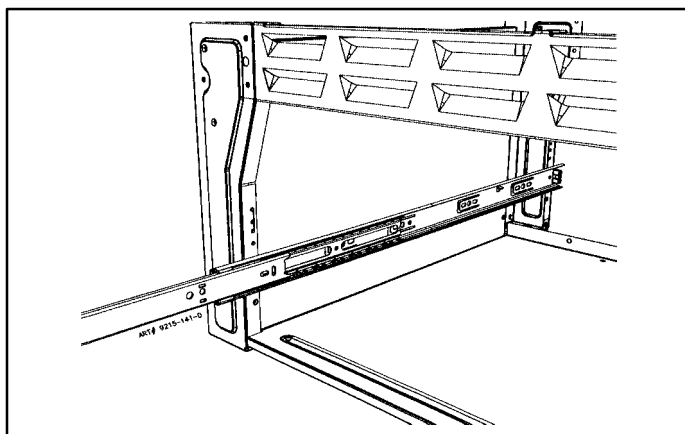
4. Saque con cuidado el cajón completo sujetándolo por los lados, no por la parte delantera del cajón.

PARA VOLVER A COLOCAR EL CAJÓN CALENTADOR:

- a. Mueva los deslizadores de cojinete hacia la parte delantera del bastidor del deslizador (vea la ilustración a continuación).



- b. Alinee el deslizador en cada lado del cajón con las ranuras de deslizado en la estufa. (Vea la ilustración a continuación.)



- c. Empuje el cajón en la estufa hasta que las palancas "hagan clic" (2" [5 cm] aproximadamente). Abra el cajón una vez más para acomodar los deslizadores de cojinete en su lugar. Si no escucha que las palancas "hacen clic" o los deslizadores de cojinete no se sienten bien acomodados, quite el cajón y repita los pasos hasta c. Esto minimizará los daños posibles a los deslizadores de cojinete.

“Vea las instrucciones de conversión de gas ubicadas en la parte posterior de la estufa en el Juego de ensamblaje”.

CÓMO QUITAR LA ESTUFA PARA DARLE SERVICIO

Siga estos procedimientos para quitar el electrodoméstico a fin de darle servicio:

1. Cierre el suministro de gas del electrodoméstico.
2. Desconecte el suministro eléctrico del electrodoméstico, si cuenta con uno.
3. Desconecte la tubería del suministro de gas del electrodoméstico.
4. Deslice la estufa hacia adelante para desengancharla del soporte estabilizador. (Vea la pág. 4).
5. Invierta el procedimiento para volver a instalarla. Si la tubería de gas se desconectó, verifique que no haya fugas de gas después de volver a conectarla.

NOTA: Un técnico calificado debe desconectar y volver a conectar el suministro de gas.

El técnico DEBE seguir las instrucciones de instalación proporcionadas con el conector del electrodoméstico de gas y la etiqueta de advertencia adherida al conector.

6. Para evitar que la estufa se ladee accidentalmente, la estufa debe estar asegurada al piso, esto se logra deslizando la pata niveladora posterior dentro del soporte estabilizador.

SERVICIO – INFORMACIÓN DE PIEZAS

Cuando su estufa necesite servicio o piezas de repuesto, comuníquese con el distribuidor o con la agencia autorizada de servicio. Sírvase proporcionar el modelo y los números de serie completos de la estufa, los cuales se encuentran localizados en la placa del número de modelo.



MANUEL DE MISE EN SERVICE

Cuisinière à gaz de 30 po (76,2 cm) amovible

VEUILLEZ GARDER CE MANUEL POUR RÉFÉRENCE ULTÉRIEURE

CE MANUEL EST DESTINÉ À FACILITER LA MISE EN SERVICE ET LE RÉGLAGE INITIAUX DE LA CUISINIÈRE.

MISE EN GARDE SPÉCIALE

La mise en service et le dépannage de cette cuisinière doivent être réalisés uniquement par du personnel qualifié.

Lire les “ Mesures de sécurité ” dans le manuel de l'utilisateur avant d'utiliser la cuisinière.

Une mauvaise réalisation de la mise en place, du réglage, de modifications, de réparations ou de l'entretien de la cuisinière ou son usage incorrect peuvent entraîner des blessures ou des dégâts graves.

DÉGAGEMENT NÉCESSAIRE

La cuisinière peut avoir un dégagement nul (0 po/cm) par rapport aux parois en matériaux combustibles à l'arrière et sur les côtés au-dessous de la surface de cuisson (elle peut être contre ces parois). Pour tous renseignements concernant la pose d'armoires murales au-dessus de la cuisinière et des dégagements à respecter par rapport aux parois combustibles se trouvant au-dessus de la surface de cuisson, se reporter aux schémas d'installation. Pour des RAISONS DE SÉCURITÉ, ne pas monter la cuisinière dans une armoire en matériau combustible qui ne soit pas conforme aux schémas d'installation.

* **REMARQUE** : La dimension de 30 po entre la surface de cuisson et l'armoire murale montrée sur l'illustration ne s'applique pas aux cuisinières ayant un four en hauteur. La dimension de 30 po (76,2 cm) peut être réduite à 24 po (61 cm) si les armoires murales d'un logement sont protégées par des matériaux ininflammables conformément aux normes American National Standards - National Fuel Gas Code ou, dans le cas de maisons mobiles, si les armoires murales sont protégées par des matériaux ininflammables conformément aux règlements du Federal Standard for Mobile Home Construction and Safety.

Pour éliminer tout risque de brûlure ou d'incendie en essayant d'atteindre un objet placé au-dessus d'éléments brûlants, éviter d'avoir un espace de rangement au-dessus de la table de cuisson. S'il doit y avoir une armoire au-dessus de la table de cuisson, l'installation d'une hotte dépassant d'au moins 5 po (13 cm) de sa partie inférieure réduira les risques liés à ce type d'entreposage.

ATTENTION : Cette cuisinière satisfait aux exigences de divers organismes de protection et aux normes relatives à la température maximum permise de 194°F (90°C) pour les armoires en bois. Si cette cuisinière est adjacente à des armoires pouvant supporter une température inférieure à 194°F (90°C) seulement, celles-ci peuvent se décolorer, se délaminer ou fondre.



MISE EN GARDE

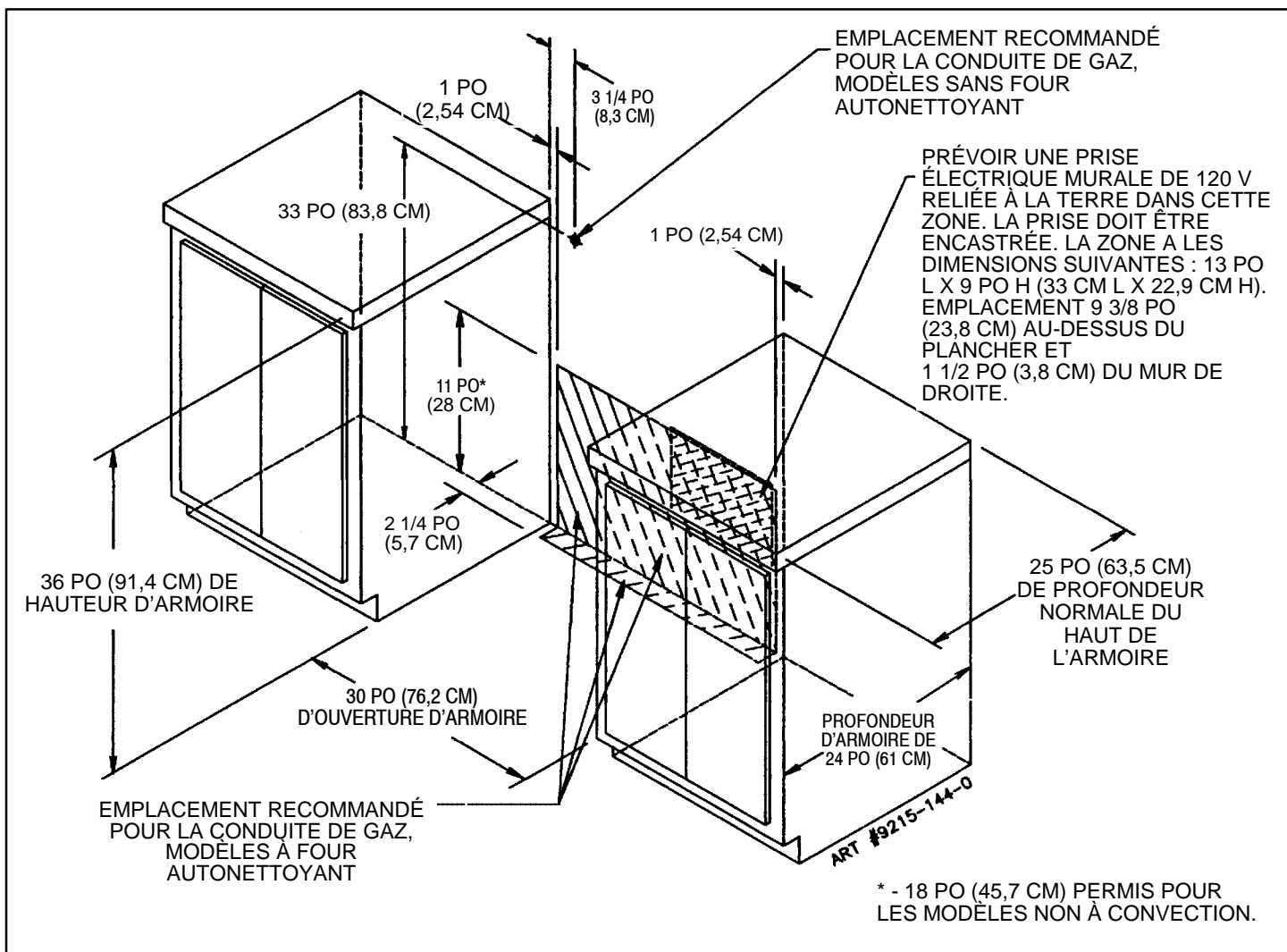
- **TOUTES LES CUISINIÈRES PEUVENT BASCULER ET PROVOQUER DES BLESSURES.**
- **POSER LES DISPOSITIFS DE STABILISATION FOURNIS AVEC CETTE CUISINIÈRE.**
- **SUIVRE TOUTES LES CONSIGNES DE MISE EN SERVICE.**

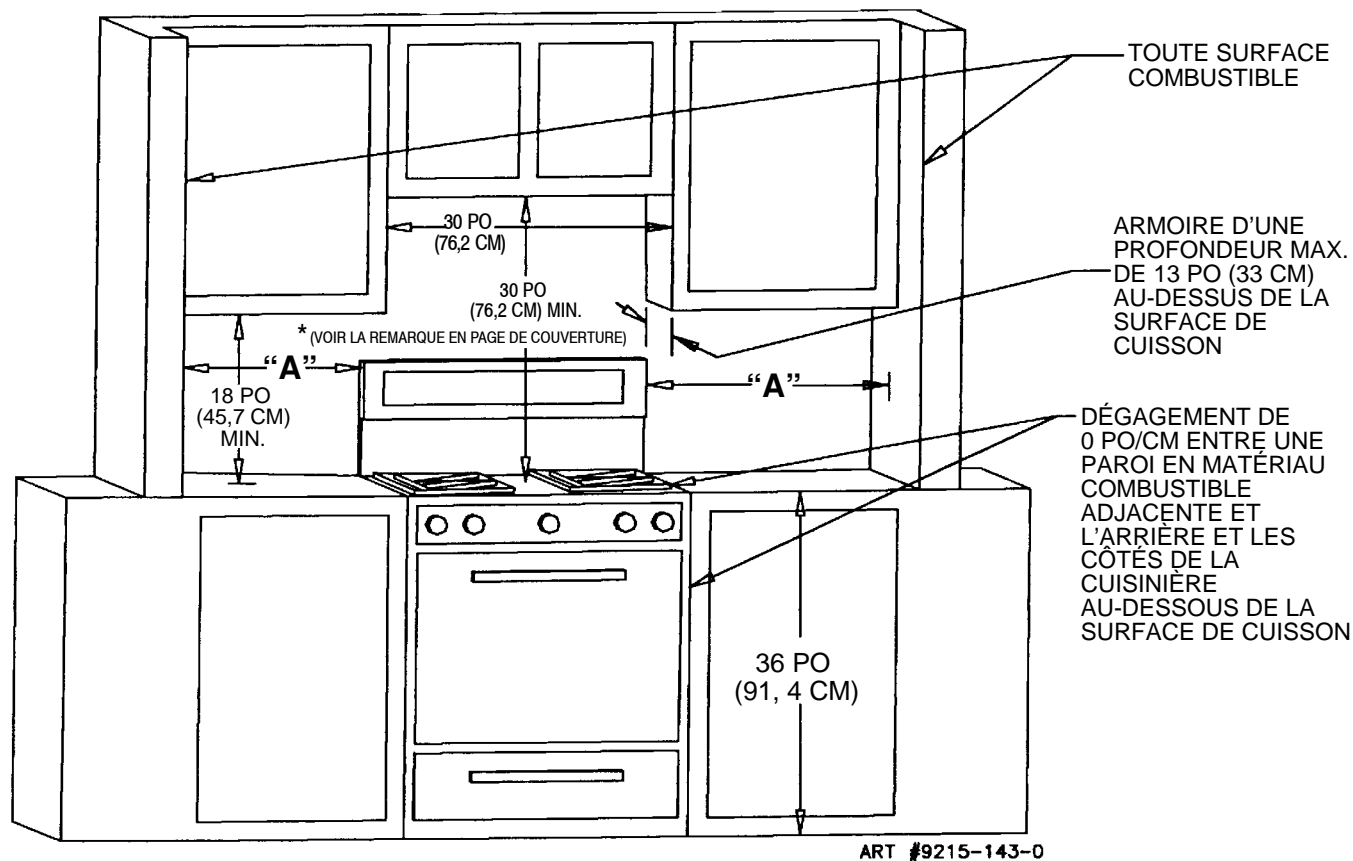


Votre cuisinière peut ne pas être dotée de toutes les fonctions mentionnées dans ce manuel.

SCHÉMAS DE MISE EN SERVICE

AMOVIBLE





ART #9215-143-0

DIMENSION A - DÉGAGEMENT SUR LE CÔTÉ AU-DESSUS DE LA SURFACE DE CUISSON

BRÛLEUR DE SURFACE DE CUISSON RÉGLÉ SUR LE GAZ NATUREL (VOIR LA PLAQUE SIGNALÉTIQUE)	FOUR TRADITIONNEL	FOUR AUTONETTOYANT
9 200 BTU/H OU MOINS	0 PO/CM	3 PO (7,6 CM)
PLUS DE 9 200 BTU/H	1 PO (2,5 CM)	3 PO (7,6 CM)

Vérifier la plaque portant le numéro de modèle de la cuisinière pour voir si elle est homologuée pour mise en service dans une maison mobile et/ou un roulotte de parc. Si elle l'est, les points suivants s'appliquent.

MAISONS MOBILES

La mise en service d'une cuisinière prévue pour les maisons mobiles doit être conforme aux normes « Manufactured Home Construction and Safety Standard », titre 24 CFR, partie 3280 (précédemment « Federal Standard for Mobile Home Construction and Safety », titre 24 HUD [partie 280]) ou, lorsque ces normes ne sont pas applicables, les normes « Standard for Manufactured Home Installations », ANSI A225.1/NFPA 501A, ou les codes de la construction locaux.

Au Canada, la mise en service de la cuisinière doit se faire conformément aux normes ACN C22.1 du code d'électricité canadien les plus récentes, partie 1 et section Z240-4.1 relative aux caractéristiques techniques exigées pour les appareils à gaz utilisés dans les maisons mobiles (norme CAN/ACN - Z240MH).

ROULOTTES DE PARC

La mise en service d'une cuisinière prévue pour les véhicules de plaisance doit être conforme aux codes provinciaux et autres ou, en l'absence de tels codes, avec la norme ANSI A119.5 relative aux roulettes de parc, dernière édition.

Au Canada, la mise en service de la cuisinière doit être réalisée conformément à la norme CAN/ACN - série Z240 RV relative aux caractéristiques exigées pour l'installation électrique dans les véhicules de plaisance et à la section Z240.4.2 relative aux caractéristiques techniques exigées pour les appareils et le matériel fonctionnant au propane dans les véhicules de plaisance (norme CAN/ACN série Z240).

EMPLACEMENT DE LA CUISINIÈRE

Ne pas monter la cuisinière au-dessus de trous dans le plancher ou en tout autre endroit où elle sera exposée à de forts courants d'air. Toute ouverture dans le mur à l'arrière de la cuisinière et dans le plancher sous la cuisinière doit être bouchée. S'assurer que le passage de l'air de refroidissement/ventilation sous la cuisinière n'est pas entravé.

REMARQUE : Une cuisinière ne doit pas être placée sur de la moquette.

MISE EN PLACE DU SUPPORT DE STABILISATION

REMARQUE : La cuisinière risque de basculer si elle n'est pas mise en place conformément aux instructions fournies. Si le support est utilisé correctement, il réduit le risque que la cuisinière ne - BASCULE. Même si le support est utilisé correctement, le consommateur doit observer les précautions indiquées dans le MANUEL D'UTILISATION ET D'ENTRETIEN et éviter d'utiliser la porte du four et/ou le tiroir inférieur comme un tabouret.

Les instructions sont prévues pour un plancher ou un mur en bois ou en ciment. Un autre matériau pourra requérir des techniques spéciales, qu'il conviendra de déterminer, pour assurer la fixation du SUPPORT DE STABILISATION au mur ou au plancher.

ÉTAPE 1 - Emplacement du support (voir figure 1)

- Déterminer où le "bord" gauche ou droit de la cuisinière se trouvera une fois celle-ci en place et le marquer d'un repère sur le plancher.
- Placer le SUPPORT à 15/16 po (24 mm) de la marque "BORD" en allant vers le centre de l'ouverture et contre le mur arrière tel qu'indiqué à la figure 1, le trou d'orientation étant contre le mur.
- Utiliser le support comme gabarit et marquer l'emplacement de tous les trous pour le type de matériau sur lequel le support doit être fixé, tel qu'indiqué à la figure 1.

ÉTAPE 2 - Pose du support de stabilisation

- Bois :
 - Plancher : Déterminer le centre des deux trous identifiés par "TROUS POUR PLANCHER" à la figure 1. Percer un trou de positionnement de 1/8 po (3 mm) au centre de chaque trou (un clou ou un poinçon peut également être utilisé si une perceuse n'est pas disponible). Fixer le support de STABILISATION au plancher à l'aide des deux vis fournies. Passer à l'ÉTAPE 3.
 - Mur : Déterminer le centre des deux trous identifiés par "TROUS POUR MUR" à la figure 1. Percer un

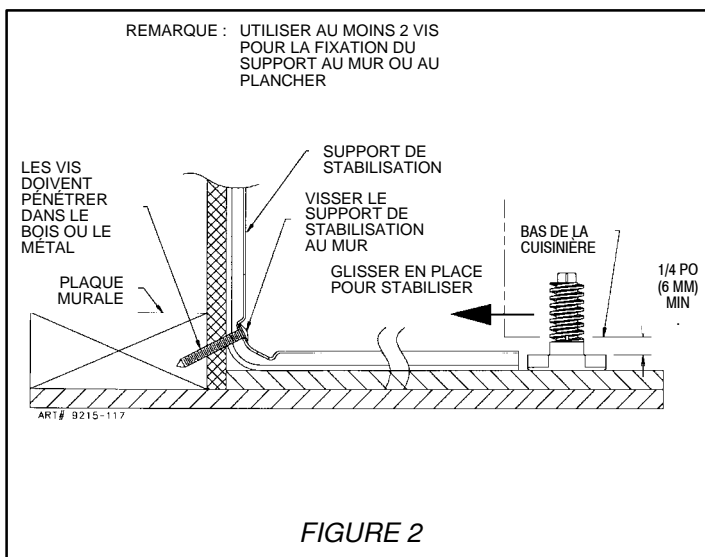
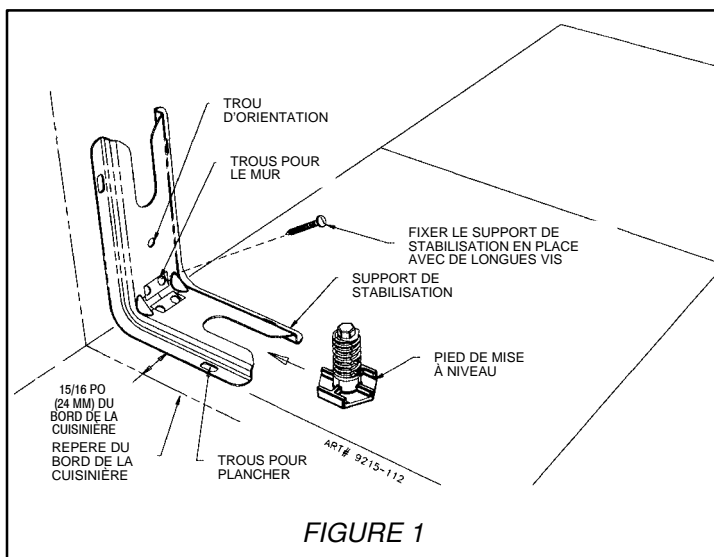
trou de positionnement de 1/8 po (3 mm) au centre de chaque trou (un clou ou un poinçon peut également être utilisé si une perceuse n'est pas disponible) tel qu'indiqué à la figure 2. Fixer le support de STABILISATION au mur à l'aide des deux vis fournies tel qu'indiqué à la figure 2. Passer à l'ÉTAPE 3.

B. Ciment ou béton :

- On trouve des vis convenant au ciment ou au béton dans les quincailleries. Percer les trous de positionnement de la grandeur correspondante à celle des vis obtenues en quincaillerie au centre des trous identifiés "TROUS POUR PLANCHER" à la figure 1. Fixer le support de STABILISATION au plancher. Passer à l'ÉTAPE 3.

ÉTAPE 3 - Mise en place de la cuisinière

- Une cuisinière amovible peut être mise en place par une seule personne.
 - Placer la cuisinière de façon à ce qu'elle puisse entrer dans l'ouverture et la pousser en place. Remarque : un dégagement minimum de 1/4 po (6 mm) est exigé entre la cuisinière et le pied de mise à niveau qui va s'insérer dans le support de STABILISATION (voir figure 2).
- ATTENTION :** La cuisinière peut se trouver abîmée si elle est déplacée et soulevée par le dessus ou à l'aide du dossier.
- Pour des RAISONS DE SÉCURITÉ et pour obtenir des résultats optimaux à la cuisson, régler la cuisinière de façon à ce qu'elle soit de niveau. Pour vérifier le niveau, mettre un niveau à bulle ou une grande casserole d'eau sur la surface de cuisson ou sur la grille du four. Si le niveau doit être réglé, tirer la cuisinière vers soi, la faire basculer légèrement et faire tourner le pied de mise à niveau autant que nécessaire.
 - Pour vérifier si le support de stabilisation est bien en place : regarder sous la cuisinière à l'aide d'une lampe électrique et vérifier que l'un des pieds arrière de mise à niveau est bien inséré dans la fente du support.
 - Finir la mise en service de la cuisinière tel qu'indiqué dans les instructions fournies avec la cuisinière.



RACCORDEMENT DE LA CUISINIÈRE

ALIMENTATION ÉLECTRIQUE

Une fois en place, l'appareil doit être relié à la terre conformément aux codes locaux ou, en l'absence de codes locaux, aux normes ANSI/NFPA 70 du National Electrical Code.

Au Canada, le raccordement de la cuisinière doit être conforme à la norme ACN C22.1 du Code d'électricité canadien partie 1.

RACCORDEMENT À L'ALIMENTATION ÉLECTRIQUE :

La cuisinière exige une alimentation en courant alternatif 120 V et 60 Hz par prise de courant murale. Voir la plaque signalétique pour déterminer la puissance électrique de l'appareil.

Il pourra occasionnellement se produire une coupure de courant si le disjoncteur de fuite à la terre (GFCI) est en service.



ATTENTION :

Mise à la terre

Cet appareil est muni d'une fiche à trois broches avec mise à la terre pour assurer la protection contre les risques d'électrocution et doit être branché directement dans une prise de courant correctement reliée à la terre. Ne pas enlever ni couper la broche de terre de cette fiche électrique.



ATTENTION :

DÉBRANCHER L'APPAREIL DE L'ALIMENTATION ÉLECTRIQUE AVANT TOUT DÉPANNAGE.

ALIMENTATION EN GAZ

La mise en service de cette cuisinière doit être conforme aux codes locaux ou, en l'absence de tels codes, avec la norme ANSI Z223.1, dernière édition, du National Fuel Gas Code.

Au Canada, la mise en service de la cuisinière doit être conforme à la norme ACG CAN/ACG-B149 en vigueur relative aux codes de mise en service d'appareils à gaz et/ou aux codes locaux.

Dans le Commonwealth du Massachusetts

Ce produit doit être mis en service par un plombier ou un monteur d'installations au gaz détenteur d'une licence quand installé dans le Commonwealth du Massachusetts.

Un robinet d'arrêt de gaz manuel de type à poignée en "T" doit être posé sur la conduite de gaz de cet appareil.

Quand un raccord flexible de gaz est utilisé, il ne doit pas excéder une longueur de trois (3) pieds / 36 pouces (91,4 cm).

RACCORDEMENT À L'ALIMENTATION EN GAZ :

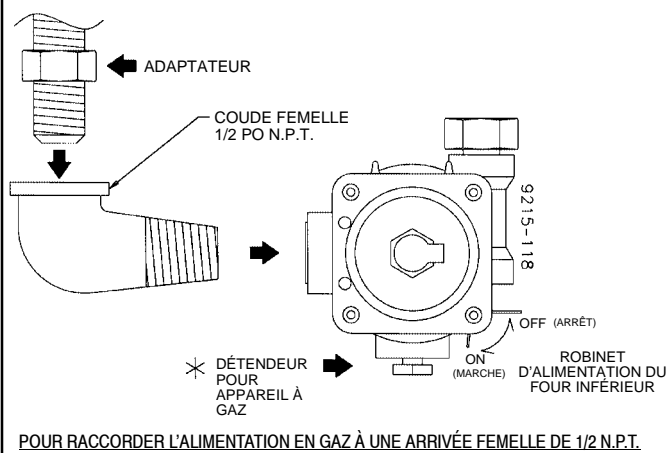
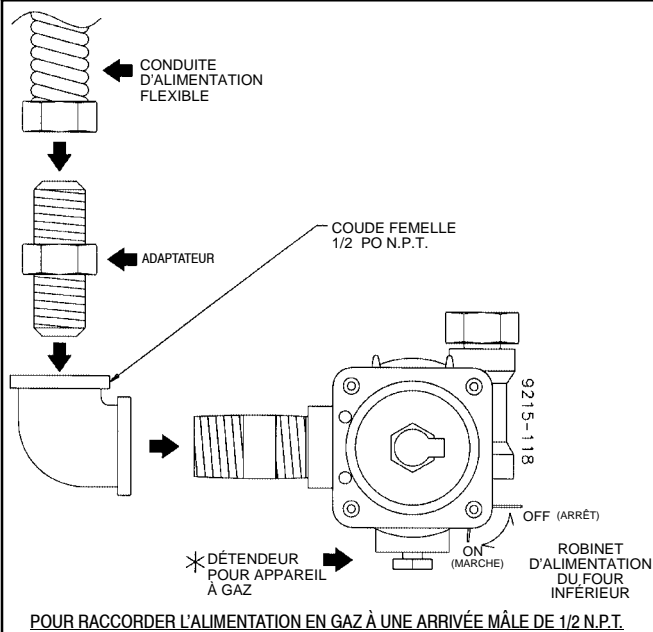
(Voir figure 4).

LE RACCORDEMENT AU GAZ DOIT ÊTRE EFFECTUÉ PAR UN TECHNICIEN QUALIFIÉ OU PAR UN INSTALLATEUR D'APPAREILS À GAZ. La vérification de l'absence de fuites sera effectuée par l'installateur conformément aux directives fournies à la section h.

LA CONDUITE DE GAZ NATUREL DOIT ÊTRE ÉQUIPÉE D'UN DÉTENDEUR POUR GAZ NATUREL. LA PRESSION À L'ARRIVÉE DE CET APPAREIL DOIT ÊTRE DÉTENDUE DE FAÇON À NE PAS ÊTRE SUPÉRIEURE À 14 PO DE COLONNE D'EAU (0,5 PSI / 3,5 KPA) DANS LE CAS DE GPL / LA CONDUITE DE GAZ PROPANE DOIT AVOIR UN DÉTENDEUR POUR GAZ GPL. LA PRESSION À L'ARRIVÉE DE CET APPAREIL DOIT ÊTRE DÉTENDUE DE FAÇON À NE PAS ÊTRE SUPÉRIEURE À 14 PO DE COLONNE D'EAU (0,5 PSI / 3,5 KPA). UNE PRESSION À L'ARRIVÉE SUPÉRIEURE À 0,5 PSI (3,5 KPA) PEUT ENDOMMAGER LE DÉTENDEUR DE L'APPAREIL ET LES AUTRES COMPOSANTS DE CET APPAREIL ET POURRAIT PROVOQUER DES FUITES DE GAZ.

- UN ROBINET DE GAZ DEVRA ÊTRE POSÉ DANS UN ENDROIT ACCESSIBLE DE LA CONDUITE DE GAZ EN AMONT DE LA CUISINIÈRE POUR PERMETTRE D'OUVRIRE ET DE FERMER L'ALIMENTATION EN GAZ. Si la cuisinière doit être raccordée à des conduites à l'aide de raccords métalliques flexibles ou semi-rigides pour appareils à gaz, LES ÉCROUS DES RACCORDS NE DOIVENT PAS ÊTRE VISSÉS DIRECTEMENT SUR LE FILETAGE DES CONDUITES. LES RACCORDS DOIVENT ÊTRE RACCORDÉS À LA CONDUITE À L'AIDE DES ADAPTATEURS FOURNIS.
 - La conduite de gaz du logement et/ou le raccord de la cuisinière à gaz utilisés pour raccorder la cuisinière à l'alimentation en gaz doivent être propres, libres de toutes rognures de métal, rouille ou saleté et de tout liquide (huile ou eau). La saleté qui se trouve dans les conduites peut se trouver emportée vers la rampe à gaz et entraîner des problèmes au niveau des robinets de gaz ou des commandes et boucher les orifices des brûleurs et/ou des veilleuses.
- ATTENTION : NE PAS SOULEVER NI DÉPLACER LA CUISINIÈRE EN LA PRENANT PAR LES POIGNÉES DE PORTE OU LE DOSSERET.**
- Éteindre toutes les veilleuses et le robinet de gaz de tous autres appareils à gaz.
 - Fermer le gaz au robinet principal du compteur de gaz.
 - Avant de raccorder la cuisinière au gaz, enduire tous les filetages de pâte à filetage convenant au GPL.
 - Raccorder la cuisinière à l'alimentation en gaz au niveau du détenteur à l'aide des adaptateurs fournis avec le raccord flexible. Une conduite rigide peut également être utilisée. Voir sur la plaque signalétique le type de gaz pour lequel la cuisinière est prévue.
 - Ouvrir le robinet de gaz au niveau du compteur et rallumer la veilleuse de tous autres appareils à gaz.

Raccordement à l'alimentation de gaz pour les cuisinières équipées d'un détendeur pour appareils à gaz se trouvant au bas de la cuisinière



UNE FOIS QUE L'INSTALLATEUR A TERMINÉ LA MISE EN SERVICE DE LA CUISINIÈRE, LAISSER LE ROBINET DU DÉTENDEUR DE L'APPAREIL SUR LA POSITION DE "MARCHE".

Raccordement à l'alimentation de gaz pour les cuisinières équipées d'un détendeur pour appareils à gaz situé sous le dessus principal de la cuisinière.

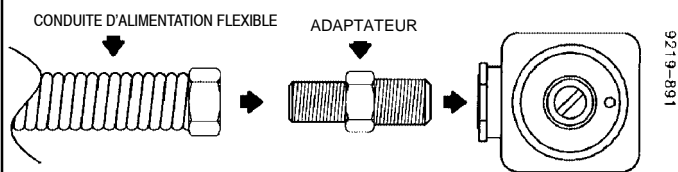


FIGURE 4

Détendeur de l'appareil et raccords possibles

* Le détendeur de votre appareil peut être différent de l'illustration.

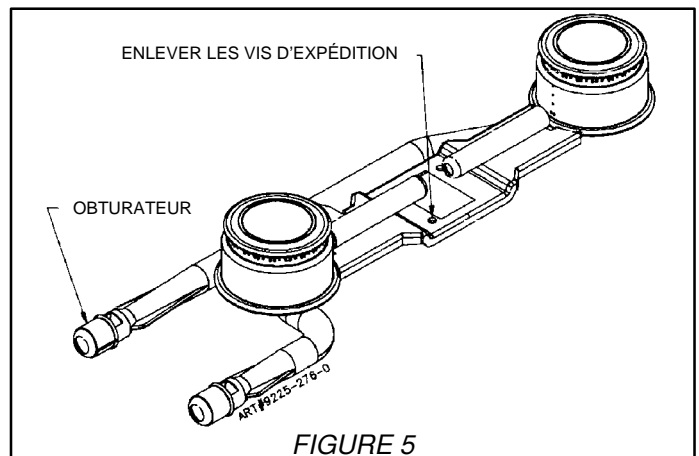
- h. Appliquer du liquide de détection de fuites non corrosif sur tous les joints et raccords entre le robinet de la conduite de gaz et la cuisinière. Inclure les joints et raccords de la cuisinière si ceux-ci ont pu se trouver desserrés pendant la mise en service. Vérifier les fuites ! Si des bulles apparaissent autour des joints et raccords, il y a une fuite. En cas de fuite, fermer le robinet d'alimentation de gaz, serrer les raccords, ouvrir le robinet de gaz et revérifier s'il y a des fuites.

ATTENTION : NE JAMAIS VÉRIFIER LA PRÉSENCE DE FUITES À L'AIDE D'UNE FLAMME.

UNE FOIS LA VÉRIFICATION DE LA PRÉSENCE DE FUITES TERMINÉE, ESSUYER TOUT RÉSIDU DE PRODUIT.

- i. Enlever les vis d'expédition de TOUS les brûleurs de la surface de cuisson. (modèles à brûleurs traditionnels seulement). Ces vis servent à maintenir les brûleurs en place sur le support pour l'expédition seulement. (Voir la figure 5).
- j. Régler l'obturateur d'air afin d'assurer son ouverture maximum tout en ayant une flamme qui ne se soulève pas du brûleur ou s'éteint lorsque le brûleur est froid.

REMARQUE : Des brûleurs intégrés correctement réglés peuvent avoir une flamme qui se soulève du brûleur ou s'éteint s'il n'y a pas de casserole ou autre récipient de cuisson sur le brûleur. Ces brûleurs doivent être réglés avec un récipient de cuisson en place.



VÉRIFICATION DE LA PRESSON DE L'ALIMENTATION EN GAZ DE LA MAISON

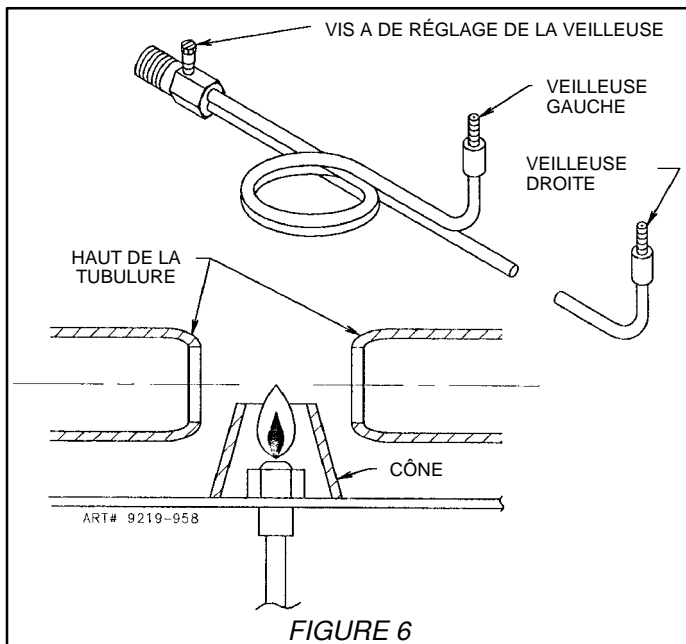
1. L'appareil à gaz et son robinet d'alimentation doivent être désolidarisés des conduites de gaz pendant toute vérification de la pression à des pressions supérieures à 0,5 lb/po² (3,5 kPa) (13,8 po de colonne d'eau).
2. L'appareil à gaz doit être coupé des conduites de gaz en fermant son robinet de gaz individuel pendant toute vérification de la pression dans les conduites de gaz à des pressions égales ou inférieures à 0,5 lb/po² (3,5 kPa) (13,8 po de colonne d'eau).

RÉGLAGES DE LA CUISINIÈRE

Partie supérieure - Réglage de la veilleuse de la surface de cuisson

(Voir figure 6).

Éliminer l'air des conduites de gaz en allumant un des brûleurs. L'éteindre, puis régler, à l'aide de la vis de réglage A (figure 6), la flamme de la veilleuse de façon à ce que le haut de la flamme arrive au niveau du haut de la tubulure. Pour allumer le brûleur, pousser sur le bouton de commande correspondant et le mettre sur la position d'allumage. REMARQUE : Certains modèles ont UN SEUL réglage de la veilleuse au niveau de la conduite de la rampe.



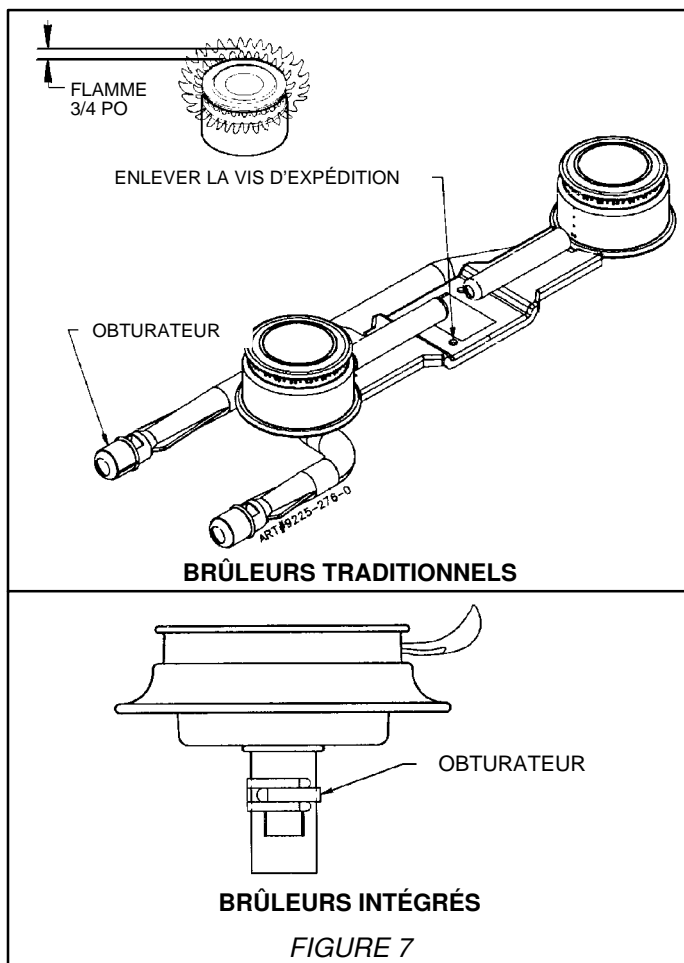
Partie supérieure - Allumage électrique

Pour allumer un brûleur de la surface de cuisson, pousser sur le bouton de commande correspondant et le mettre sur la position LITE. Le brûleur s'allume. Pour CESSER la production d'étincelles une fois le brûleur allumé, tourner le bouton sur le réglage HI.

Réglage des brûleurs de la surface de cuisson

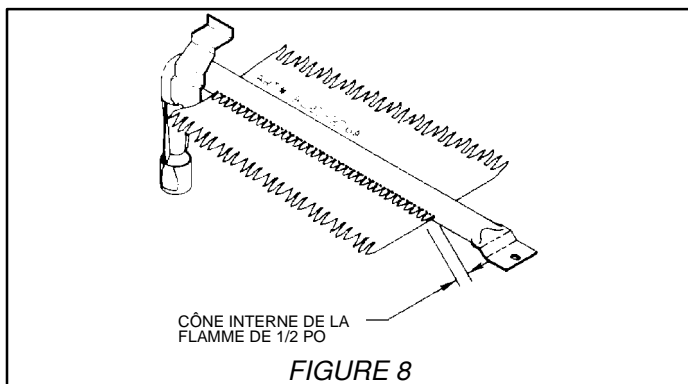
Tous brûleurs de la surface de cuisson : La hauteur approximative de la flamme en position « plein feu » est indiquée ci-dessous.

Régler l'obturateur d'air à l'ouverture maximum qui produise une flamme qui ne se soulève pas du brûleur ou s'éteigne lorsque le brûleur est froid. REMARQUE : Des brûleurs intégrés correctement réglés peuvent avoir une flamme qui se soulève du brûleur ou s'éteint s'il n'y a pas de casserole ou autre récipient de cuisson sur le brûleur. Ces brûleurs doivent être réglés avec un récipient de cuisson en place.

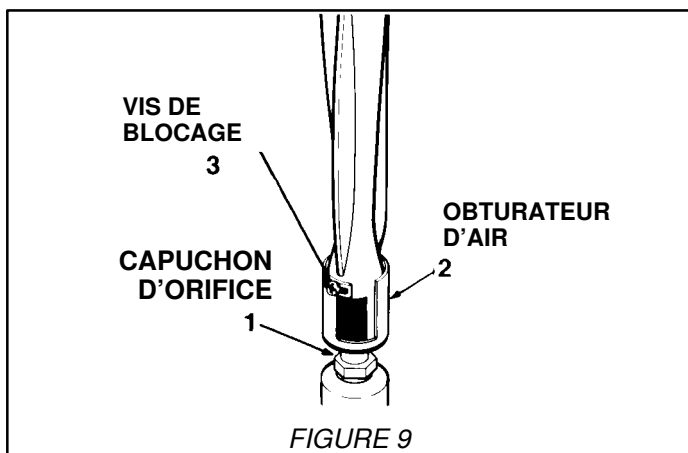


Obturbateur d'air - Brûleur du four

- a. La hauteur approximative de la flamme d'un brûleur du four doit présenter une partie bleue distincte de 1/2 po (13 mm) (voir la figure 8).



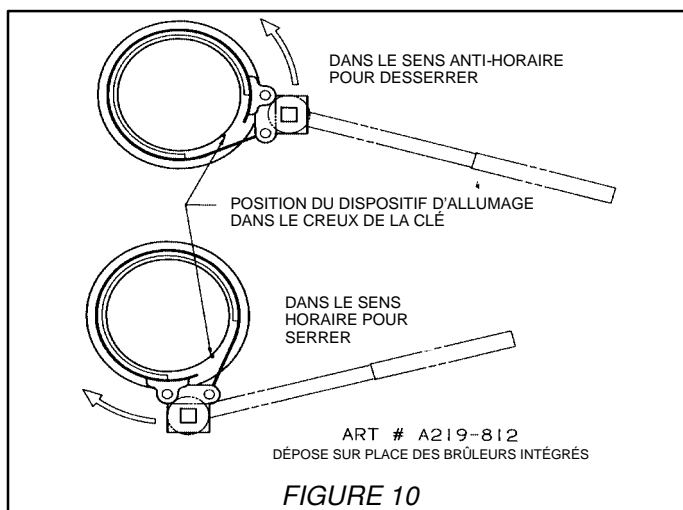
- b. Pour vérifier la flamme du brûleur du four :
1. Flamme jaune - ouvrir l'obturbateur d'air afin d'assurer son ouverture maximum tout en ayant une flamme qui ne se soulève pas du brûleur ou s'éteint lorsque le brûleur est froid. (Voir l'élément 2 de la figure 9.)
 2. Flamme avec partie bleue distincte mais qui se soulève du brûleur - fermer l'obturbateur d'air jusqu'à ce qu'il produise une flamme qui ne se soulève pas du brûleur ou s'éteint lorsque le brûleur est froid. (Voir l'élément 2 de la figure 9.)
- c. Le réglage de l'obturbateur d'air est le même pour les cuisinières à allumage par veilleuse ou électrique.



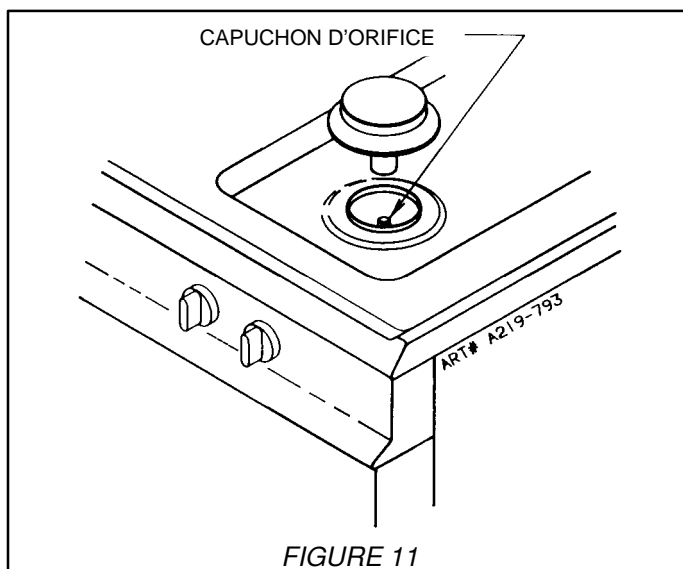
Dépose d'un brûleur intégré aux fins de réglage ou de réparation :

Marquer d'un repère au crayon à papier l'emplacement du dispositif d'allumage par rapport au dessus de la surface de cuisson. Ce repère servira de point de référence, lors de la pose du brûleur, pour s'assurer qu'il est bien resserré à sa position d'origine.

Mettre la clé à brûleur (référence n 8312D075 60, disponible auprès du revendeur ou d'un prestataire de service après-vente agréé) sur le brûleur de la surface de cuisson en plaçant le dispositif d'allumage dans le creux de l'anneau de la clé (figure 10). Ceci empêche que le dispositif d'allumage ne se trouve écrasé lorsque la clé se resserre sur le brûleur. Faire tourner le brûleur d'environ un huitième de tour dans le sens anti-horaire et le soulever (figure 11).



Pour remonter le brûleur : Remettre le brûleur en place sur la surface de cuisson et, à l'aide de la clé à brûleurs, le faire tourner d'approximativement un huitième de tour dans le sens horaire jusqu'à ce qu'il s'enclenche en place avec le dispositif d'allumage aligné sur le repère indiqué sur la surface de cuisson.



CONVERSION À UN GAZ DIFFÉRENT

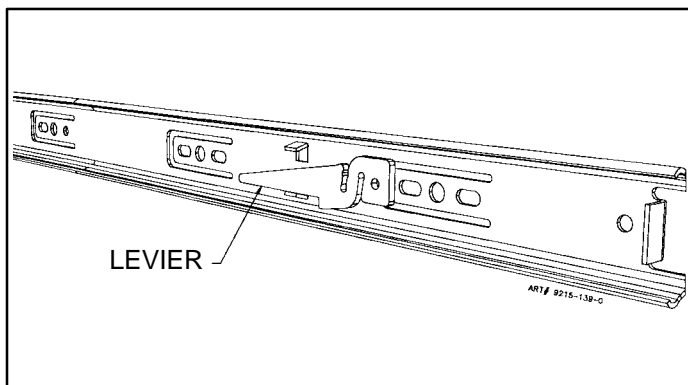
Pour accéder au détendeur à partir de l'avant de la cuisinière, enlever le tiroir de rangement ou le tiroir chauffe-plat.

Pour enlever le tiroir de rangement : le tirer jusqu'à la première position d'arrêt. Soulever l'avant du tiroir et tirer jusqu'à la deuxième position d'arrêt, puis saisir les côtés et soulever en tirant.

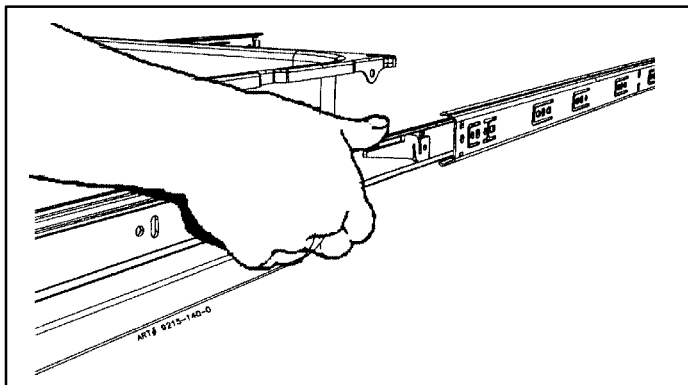
Pour remettre le tiroir en place : insérer les roulements à billes du tiroir sur les rails. Soulever l'avant du tiroir et le pousser doucement jusqu'à la première position d'arrêt. Soulever et continuer à faire glisser le tiroir jusqu'à ce qu'il soit fermé.

POUR ENLEVER LE TIROIR CHAUFFE-PLAT :

1. Vider le tiroir et le tirer jusqu'à ce qu'il soit complètement ouvert.
2. Repérer les leviers triangulaires noirs de chaque côté du tiroir.



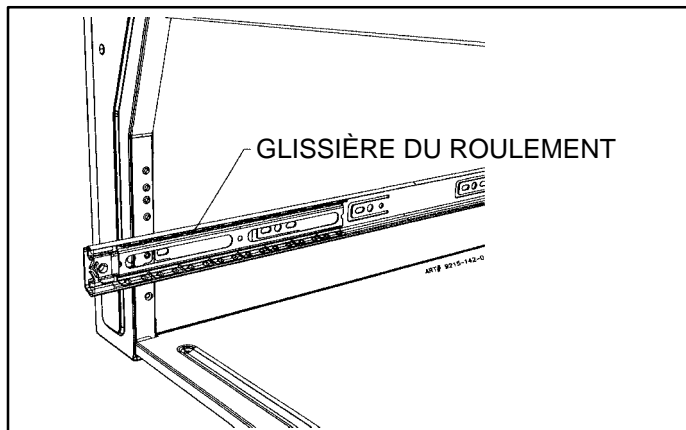
3. APPUYER sur le levier de DROITE en RELEVANT celui de GAUCHE. Ouvrir ensuite le tiroir de 1" (2,5 cm) supplémentaires.



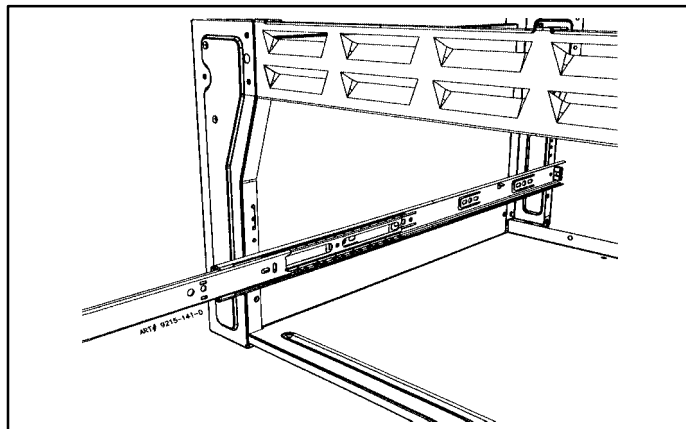
4. Tirer alors à fond sur le tiroir en le tenant par les côtés et non par le devant.

REMETTRE LE TIROIR CHAUFFE-PLAT EN PLACE :

- a. Tirer les glissières des roulements jusqu'à l'avant de la glissière du châssis (voir l'illustration ci-dessous).



- b. Aligner les glissières de chaque côté du tiroir sur les fentes de glissière de la cuisinière (voir l'illustration ci-dessous).



- c. Pousser le tiroir dans la cuisinière jusqu'à ce que les leviers s'enclenchent en place (environ 2" ou 5 cm). Réouvrir le tiroir pour asseoir les glissières en place. Si les leviers ne produisent pas un déclic ou que les glissières des roulements ne donnent pas l'impression d'être fermement en place, répéter les étapes a à c. Ceci réduira au minimum les risques d'endommagement des glissières des roulements.

Voir les consignes de conversion qui se trouvent dans le nécessaire de montage au dos de la cuisinière.

DÉPLACEMENT DE LA CUISINIÈRE POUR LA DÉPANNER

Suivre les indications ci-dessous pour déplacer l'appareil afin de le dépanner.

1. Fermer l'alimentation en gaz à l'appareil.
2. Débrancher l'appareil de l'alimentation électrique s'il est branché.
3. Désolidariser la conduite d'alimentation en gaz de l'appareil.
4. Faire glisser la cuisinière vers l'avant pour la dégager du dispositif de stabilisation. (Voir page 4.)
5. Procéder inversement pour la remettre en place. Si la conduite de gaz a été désolidarisée de l'appareil, vérifier qu'il n'y a pas de fuites une fois le raccordement effectué.

REMARQUE : Il est fortement recommandé que l'appareil soit désolidarisé de l'alimentation en gaz et raccordé à nouveau par un technicien de service après-vente qualifié.

La personne effectuant le dépannage **DOIT** suivre les instructions de mise en service fournies avec le raccord à gaz de l'appareil ainsi que l'étiquette de mise en garde fixée au raccord.

6. Pour éviter que la cuisinière ne bascule accidentellement, il faut la bloquer en glissant le pied de mise à niveau arrière dans le dispositif de stabilisation.

INFORMATIONS SUR LES PIÈCES ET LE SERVICE APRÈS-VENTE

POUR TOUTES PIÈCES DE RECHANGE ET TOUT SERVICE APRÈS-VENTE, CONTACTER LE REVENDEUR OU UN PRESTATAIRE DE SERVICE APRÈS-VENTE AGRÉÉ. PRIÈRE DE DONNER LE NUMÉRO DE MODÈLE ET LES NUMÉROS DE SÉRIE COMPLETS DE LA CUISINIÈRE, QUI SE TROUVENT SUR LA PLAQUE SIGNALÉTIQUE DE L'APPAREIL.