

DRYER INSTALLATION INSTRUCTIONS GAS (U.S.A. AND CANADA) ELECTRIC (CANADA ONLY) INSTRUCTIONS D'INSTALLATION DE LA SÈCHEUSE À GAZ (É.-U. ET CANADA) ÉLECTRIQUE (CANADA UNIQUEMENT)

Para una version de estas intrucciones en Español, visite www.Whirlpool.com

TABLE OF CONTENTS

DRYER SAFETY	2
INSTALLATION REQUIREMENTS	4
Tools and Parts	4
Optional Equipment	4
Location Requirements	5
ELECTRIC DRYER POWER HOOKUP – CANADA ONLY	8
Electrical Requirements	8
GAS DRYER POWER HOOKUP	9
Gas Supply Requirements	9
Make Gas Connection	10
Electrical Requirements	10
VENTING	11
Venting Requirements	11
Plan Vent System	12
Install Vent System	13
INSTALL LEVELING LEGS	13
CONNECT VENT	13
CONNECT INLET HOSE (STEAM MODELS)	13
LEVEL DRYER	14
COMPLETE INSTALLATION	14
TROUBLESHOOTING	15

TABLE DES MATIÈRES

SÉCURITÉ DE LA SÈCHEUSE	17
EXIGENCES D'INSTALLATION	19
Outillage et pièces	19
Équipement facultatif	19
Exigences d'emplacement	19
RACCORDEMENT DE L'ALIMENTATION À LA SÈCHEUSE ÉLECTRIQUE	23
Spécifications électriques	23
RACCORDEMENT DE L'ALIMENTATION À LA SÈCHEUSE À GAZ	24
Alimentation en gaz	24
Raccordement au gaz	25
Spécifications électriques	25
ÉVACUATION	26
Exigences concernant l'évacuation	26
Planification du système d'évacuation	27
Installation du système d'évacuation.....	28
INSTALLATION DES PIEDS DE NIVELLEMENT	29
RACCORDEMENT DU CONDUIT D'ÉVACUATION	29
RACCORDEMENT DES TUYAUX D'ALIMENTATION (MODÈLES À VAPEUR)	29
RÉGLAGE DE L'APLOMB DE LA SÈCHEUSE	30
ACHEVER L'INSTALLATION	30
DÉPANNAGE	31

DRYER SAFETY

Your safety and the safety of others are very important.

We have provided many important safety messages in this manual and on your appliance. Always read and obey all safety messages.



This is the safety alert symbol.

This symbol alerts you to potential hazards that can kill or hurt you and others.

All safety messages will follow the safety alert symbol and either the word "DANGER" or "WARNING."
These words mean:

 **DANGER**

You can be killed or seriously injured if you don't immediately follow instructions.

 **WARNING**

You can be killed or seriously injured if you don't follow instructions.

All safety messages will tell you what the potential hazard is, tell you how to reduce the chance of injury, and tell you what can happen if the instructions are not followed.



WARNING - "Risk of Fire"

- Clothes dryer installation must be performed by a qualified installer.
- Install the clothes dryer according to the manufacturer's instructions and local codes.
- Do not install a clothes dryer with flexible plastic venting materials. If flexible metal (foil type) duct is installed, it must be of a specific type identified by the appliance manufacturer as suitable for use with clothes dryers. Flexible venting materials are known to collapse, be easily crushed, and trap lint. These conditions will obstruct clothes dryer airflow and increase the risk of fire.
- To reduce the risk of severe injury or death, follow all installation instructions.
- Save these instructions.

IMPORTANT SAFETY INSTRUCTIONS

WARNING: To reduce the risk of fire, electric shock, or injury to persons when using the dryer, follow basic precautions, including the following:

- Read all instructions before using the dryer.
- Do not place items exposed to cooking oils in your dryer. Items contaminated with cooking oils may contribute to a chemical reaction that could cause a load to catch fire.
- Do not dry articles that have been previously cleaned in, washed in, soaked in, or spotted with gasoline, dry-cleaning solvents, or other flammable or explosive substances as they give off vapors that could ignite or explode.
- Do not allow children to play on or in the dryer. Close supervision of children is necessary when the dryer is used near children.
- Before the dryer is removed from service or discarded, remove the door to the drying compartment.
- Do not reach into the dryer if the drum is moving.
- Do not install or store the dryer where it will be exposed to the weather.
- Do not tamper with controls.
- Do not repair or replace any part of the dryer or attempt any servicing unless specifically recommended in this Use and Care Guide or in published user-repair instructions that you understand and have the skills to carry out.
- Do not use fabric softeners or products to eliminate static unless recommended by the manufacturer of the fabric softener or product.
- Do not use heat to dry articles containing foam rubber or similarly textured rubber-like materials.
- Clean lint screen before or after each load.
- Keep area around the exhaust opening and adjacent surrounding areas free from the accumulation of lint, dust, and dirt.
- The interior of the dryer and exhaust vent should be cleaned periodically by qualified service personnel.
- See installation instructions for grounding requirements.

SAVE THESE INSTRUCTIONS

IMPORTANT: The gas installation must conform with local codes, or in the absence of local codes, with the National Fuel Gas Code, ANSI Z223.1/NFPA 54 or the Canadian Natural Gas and Propane Installation Code, CSA B149.1.

The dryer must be electrically grounded in accordance with local codes, or in the absence of local codes, with the National Electrical Code, ANSI/NFPA 70 or Canadian Electrical Code, CSA C22.1.

WARNING: For your safety, the information in this manual must be followed to minimize the risk of fire or explosion, or to prevent property damage, personal injury, or death.

- Do not store or use gasoline or other flammable vapors and liquids in the vicinity of this or any other appliance.
- **WHAT TO DO IF YOU SMELL GAS:**
 - Do not try to light any appliance.
 - Do not touch any electrical switch; do not use any phone in your building.
 - Clear the room, building, or area of all occupants.
 - Immediately call your gas supplier from a neighbor's phone. Follow the gas supplier's instructions.
 - If you cannot reach your gas supplier, call the fire department.
- Installation and service must be performed by a qualified installer, service agency, or the gas supplier.

WARNING: Gas leaks cannot always be detected by smell.

Gas suppliers recommend that you use a gas detector approved by UL or CSA.

For more information, contact your gas supplier.

If a gas leak is detected, follow the "What to do if you smell gas" instructions.

In the State of Massachusetts, the following installation instructions apply:

- Installations and repairs must be performed by a qualified or licensed contractor, plumber, or gasfitter qualified or licensed by the State of Massachusetts.
- If using a ball valve, it shall be a T-handle type.
- A flexible gas connector, when used, must not exceed 3 feet.

State of California Proposition 65 Warnings:

WARNING: This product contains a chemical known to the State of California to cause cancer.

WARNING: This product contains a chemical known to the State of California to cause birth defects or other reproductive harm.

INSTALLATION REQUIREMENTS

Tools and Parts

Gather the required tools and parts before starting installation. Read and follow the instructions provided with any tools listed here.

For All Installations:

- Flat-blade screwdriver
- #2 Phillips screwdriver
- Adjustable wrench that opens to 1" (25 mm) or hex-head socket wrench (for adjusting dryer feet)
- Level
- Vent clamps
- Caulking gun and compound (for installing new exhaust vent)
- Tin snips (new vent installations)
- ¼" nut driver (recommended)
- Tape measure
- Pliers

Gas Installations:

- 8" or 10" pipe wrench
- 8" or 10" adjustable wrench (for gas connections)
- Pipe-joint compound resistant to LP gas

Parts supplied

Non-Steam Models

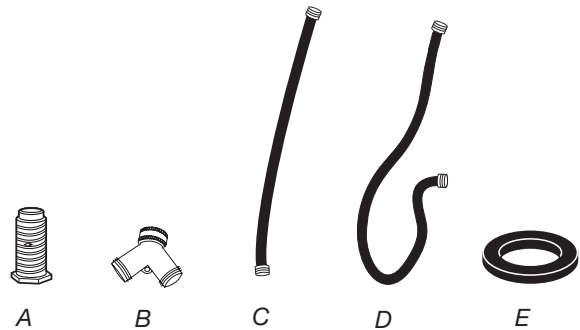


4 Leveling legs

Remove parts package from dryer drum. Check that all parts are included.

NOTE: Do not use leveling legs supplied with dryer if installing on a pedestal.

Steam Models



A. Leveling legs (4)

B. "Y" connector

C. Short inlet hose

D. Long inlet hose

E. Rubber washer

Remove parts package from dryer drum. Check that all parts are included.

NOTE: Do not use leveling legs supplied with dryer if installing on a pedestal.

Parts needed

Check local codes. Check existing electrical supply and venting. See "Electrical Requirements" and "Venting Requirements" before purchasing parts.

Mobile home installations require metal exhaust system hardware available for purchase from the dealer from whom you purchased your dryer. For further information, please refer to the "Assistance or Service" section in your Use and Care Guide.

Optional Equipment

Refer to your Use and Care guide for information about the accessories available for your dryer.

Location Requirements

⚠ WARNING



Explosion Hazard

Keep flammable materials and vapors, such as gasoline, away from dryer.

Place dryer at least 18 inches (460 mm) above the floor for a garage installation.

Failure to do so can result in death, explosion, or fire.

You will need

- A location that allows for proper exhaust installation. See “Venting Requirements.”
- A separate 15 or 20-amp circuit needed for gas dryers and 30-amp circuit needed for electric dryers.
- If you are using a power supply cord, a grounded electrical outlet located within 2 ft (610 mm) of either side of the dryer. See “Electrical Requirements.”
- A sturdy floor to support the total dryer weight of 200 lbs (90.7 kg). The combined weight of a companion appliance should also be considered.
- A level floor with a maximum slope of 1" (25 mm) under entire dryer. If slope is greater than 1" (25 mm), install Extended Dryer Feet Kit, Part Number 279810. Clothes may not tumble properly and automatic sensor cycles may not operate correctly if dryer is not level.
- For a garage installation, you will need to place the dryer at least 18" (460 mm) above the floor. If using a pedestal, you will need 18" (460 mm) to the bottom of the dryer.
- Steam models only: Cold water faucets located within 4 ft (1.2 m) of the dryer, and water pressure of 20-100 psi (137.9-689.6 kPa). You may use the cold water supply from your washer using the “Y” connector provided.

Do not operate your dryer at temperatures below 45°F (7°C). At lower temperatures, the dryer might not shut off at the end of an automatic sensor cycle. This can result in longer drying times.

The dryer must not be installed or stored in an area where it will be exposed to water and/or weather.

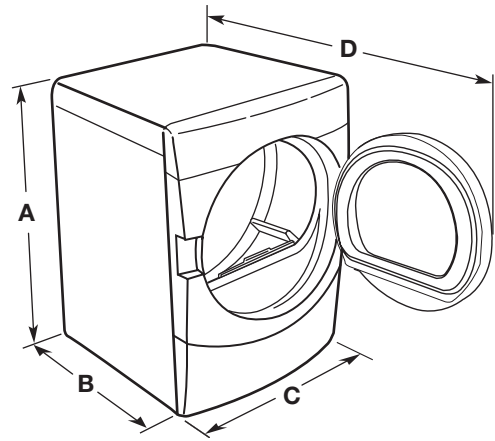
Check code requirements. Some codes limit, or do not permit, installation of the dryer in garages, closets, mobile homes, or sleeping quarters. Contact your local building inspector.

NOTE: No other fuel-burning appliance can be installed in the same closet as a dryer.

Installation clearances

The location must be large enough to allow the dryer door to open fully.

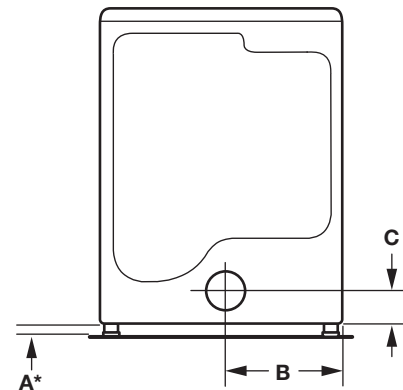
Dryer Dimensions



	Steam (Electric or Gas)	Non-Steam (Electric or Gas)
A	38" (965 mm)	38" (965 mm)
B	32 9/16" (827 mm)	31 1/2" (800 mm)
C	27" (686 mm)	27" (686 mm)
D	52 9/16" (1335 mm)	51 1/2" (1308 mm)

NOTE: Most installations require a minimum 5" (127 mm) clearance behind the dryer for the exhaust vent with elbow.

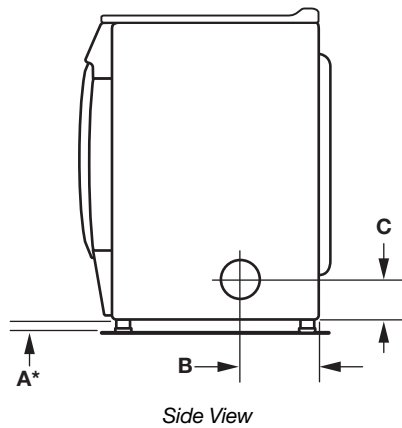
Venting Dimensions



Back View

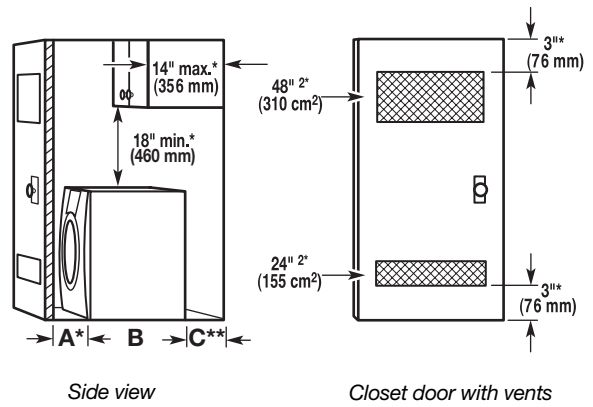
	Steam (Electric or Gas)	Non-Steam (Electric or Gas)
A*	1" (25 mm)	1" (25 mm)
B	14" (356 mm)	14" (356 mm)
C	3 7/16" (87 mm)	3 7/16" (87 mm)

* Dimension A is approximate, depending on when the diamond marking on the leveling foot is no longer visible.



Side View

Closet installation - Dryer only



Side view

Closet door with vents

	Steam (Electric or Gas)	Non-Steam (Electric or Gas)
A*	1" (25 mm)	1" (25 mm)
B	7 5/8" (194 mm)	7 5/8" (194 mm)
C	3 3/8" (86 mm)	3 3/8" (86 mm)

* Dimension A is approximate, depending on when the diamond marking on the leveling foot is no longer visible.

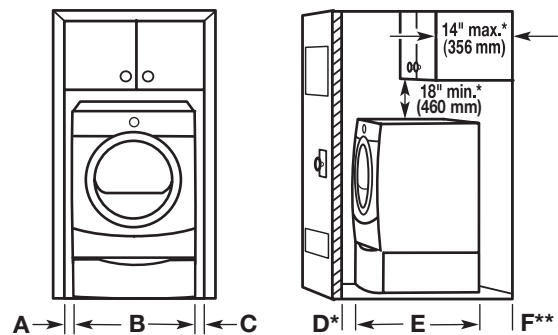
See "Venting Requirements."

	Steam (Electric or Gas)	Non-Steam (Electric or Gas)
A*	1" (25 mm)	1" (25 mm)
B	32 9/16" (827 mm)	31 1/2" (800 mm)
C**	5" (127 mm)	5" (127 mm)

*Required spacing

**For side or bottom venting, 0" (0 mm) spacing is allowed.

Recessed or closet installation - Dryer on pedestal

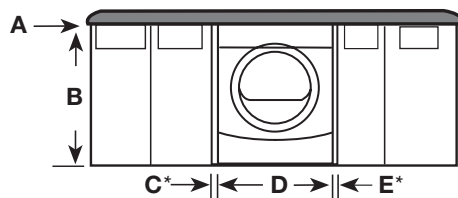


Installation spacing for recessed area or closet installation

The following spacing dimensions are recommended for this dryer. This dryer has been tested for spacing of 0" (0 mm) clearance on the sides and rear. Recommended spacing should be considered for the following reasons:

- Additional spacing should be considered for ease of installation and servicing.
- Additional clearances might be required for wall, door, and floor moldings.
- Additional spacing should be considered on all sides of the dryer to reduce noise transfer.
- For closet installation, with a door, minimum ventilation openings in the top and bottom of the door are required. Louvered doors with equivalent ventilation openings are acceptable.
- Companion appliance spacing should also be considered.

Custom undercounter installation - Dryer only



	Steam (Electric or Gas)	Non-Steam (Electric or Gas)
A	0" (0 mm)	0" (0 mm)
B	38" (965 mm)	38" (965 mm)
C*	1" (25 mm)	1" (25 mm)
D	27" (686 mm)	27" (686 mm)
E*	1" (25 mm)	1" (25 mm)

*Required spacing

NOTE: Some models are not recommended for undercounter installation.

	Steam (Electric or Gas)	Non-Steam (Electric or Gas)
A	1" (25 mm)	1" (25 mm)
B	27" (686 mm)	27" (686 mm)
C	1" (25 mm)	1" (25 mm)
D*	1" (25 mm)	1" (25 mm)
E	32 9/16" (827 mm)	31 1/2" (800 mm)
F**	5" (127 mm)	5" (127 mm)

*Required spacing

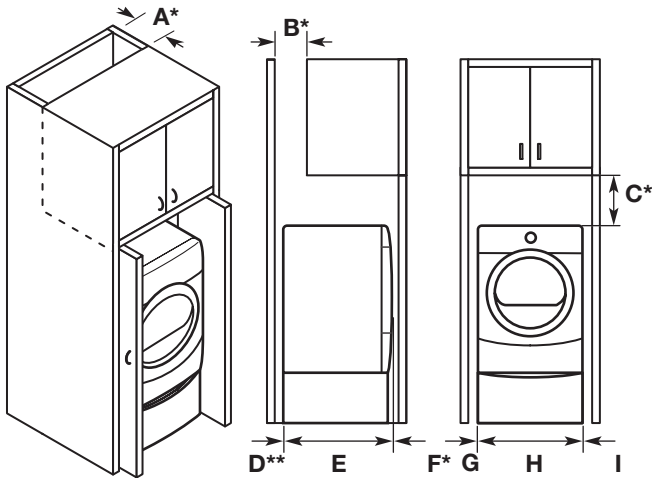
**For side or bottom venting, 0" (0 mm) spacing is allowed

NOTE: Some models are not recommended for recessed or closet installation.

Recommended installation spacing for cabinet installation

NOTE: Some models are not recommended for cabinet installation.

- For cabinet installation, with a door, minimum ventilation openings in the top of the cabinet are required.



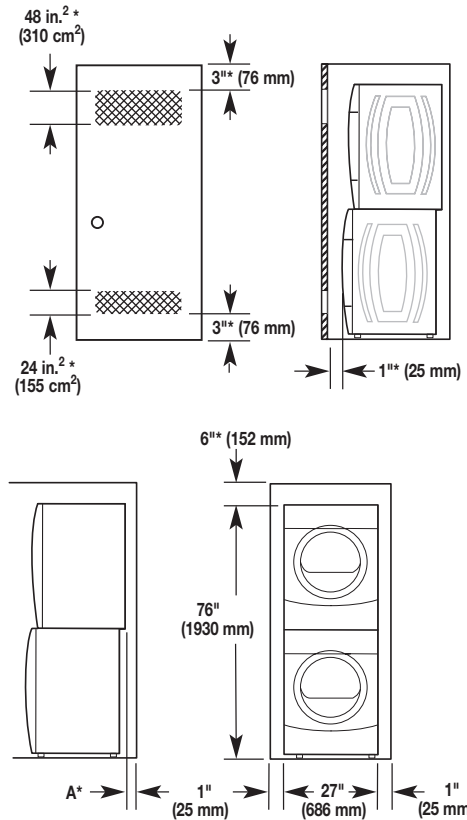
	Steam (Electric or Gas)	Non-Steam (Electric or Gas)
A*	7" (178 mm)	7" (178 mm)
B*	7" (178 mm)	7" (178 mm)
C*	9" (229 mm)	9" (229 mm)
D**	5" (127 mm)	5" (127 mm)
E	32 9/16" (827mm)	31 1/2" (800 mm)
F*	1" (25 mm)	1" (25 mm)
G	1" (25 mm)	1" (25 mm)
H	27" (686 mm)	27" (686 mm)
I	1" (25 mm)	1" (25 mm)

*Required spacing

**For side or bottom venting, 0" (0 mm) spacing is allowed.

Recommended installation spacing for recessed or closet installation, with stacked washer and dryer

The dimensions shown are for the recommended spacing.



	Steam (Electric or Gas)	Non-Steam (Electric or Gas)
A*	5 1/2" (140 mm)	5" (127 mm)

*Required spacing

NOTE: Some models are not recommended for stacked recessed or closet installation.

Mobile home - Additional installation requirements

This dryer is suitable for mobile home installations. The installation must conform to the Manufactured Home Construction and Safety Standard, Title 24 CFR, Part 3280 (formerly the Federal Standard for Mobile Home Construction and Safety, Title 24, HUD Part 280) or Standard CAN/CSA-Z240 MH.

Mobile home installations require:

All Dryers

- Metal exhaust system hardware, which is available for purchase from your dealer.
- Special provisions must be made in mobile homes to introduce outside air into the dryer. The opening (such as a nearby window) should be at least twice as large as the dryer exhaust opening.

For gas dryers

- Mobile Home Installation Kit Part Number 346764. See "Tools and Parts" section for information on ordering.

ELECTRIC DRYER POWER HOOKUP – CANADA ONLY

Electrical Requirements

WARNING



Electrical Shock Hazard

Plug into a grounded 4 prong outlet.

Failure to do so can result in death or electrical shock.

It is your responsibility

- To contact a qualified electrical installer.
- To be sure that the electrical connection is adequate and in conformance with the Canadian Electrical Code, C22.1-latest edition and all local codes. A copy of the above codes standard may be obtained from: Canadian Standards Association, 178 Rexdale Blvd., Toronto, ON M9W 1R3 CANADA.
- To supply the required 4 wire, single phase, 120/240 volt, 60 Hz., AC only electrical supply on a separate 30-amp circuit, fused on both sides of the line. A time-delay fuse or circuit breaker is recommended. Connect to an individual branch circuit.
- This dryer is equipped with a CSA International Certified Power Cord intended to be plugged into a standard 14-30R wall receptacle. The cord is 5 ft (1.52 m) in length. Be sure wall receptacle is within reach of dryer's final location.



4-wire receptacle 14-30R

If using a replacement power supply cord, it is recommended that you use Power Supply Cord Replacement Part Number 9831317.

For further information, please reference the service numbers located in the "Assistance or Service" section.

GROUNDING INSTRUCTIONS

- For a grounded, cord-connected dryer:
This dryer must be grounded. In the event of malfunction or breakdown, grounding will reduce the risk of electric shock by providing a path of least resistance for electric current. This dryer is equipped with a cord having an equipment-grounding conductor and a grounding plug. The plug must be plugged into an appropriate outlet that is properly installed and grounded in accordance with all local codes and ordinances.

WARNING: Improper connection of the equipment-grounding conductor can result in a risk of electric shock. Check with a qualified electrician or service representative or personnel if you are in doubt as to whether the dryer is properly grounded. Do not modify the plug provided with the dryer: if it will not fit the outlet, have a proper outlet installed by a qualified electrician.

SAVE THESE INSTRUCTIONS

GAS DRYER POWER HOOKUP

Gas Supply Requirements

⚠ WARNING



Explosion Hazard

Use a new CSA International approved gas supply line.

Install a shut-off valve.

Securely tighten all gas connections.

If connected to LP, have a qualified person make sure gas pressure does not exceed 13" (330 mm) water column.

Examples of a qualified person include:

licensed heating personnel,
authorized gas company personnel, and
authorized service personnel.

Failure to do so can result in death, explosion, or fire.

- If your dryer has been converted to use LP gas, $\frac{3}{8}$ " LP compatible copper tubing can be used. If the total length of the supply line is more than 20 ft (6.1 m), use larger pipe.

NOTE: Pipe-joint compounds that resist the action of LP gas must be used. Do not use TEFLON^{®†} tape.

- Must include a shutoff valve:

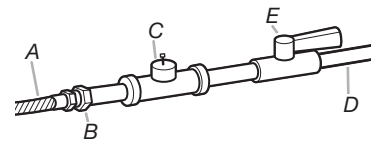
In the U.S.A.:

An individual manual shutoff valve must be installed within six (6) feet (1.8 m) of the dryer in accordance with the National Fuel Gas Code, ANSI Z223.1.

In Canada:

An individual manual shutoff valve must be installed within six (6) feet (1.8 m) of the dryer in accordance with the B149.1, Natural Gas and Propane Installation Code.

The location should be easy to reach for opening and closing.



A. $\frac{3}{8}$ " flexible gas connector

B. $\frac{3}{8}$ " pipe to flare adapter fitting

C. $\frac{1}{8}$ " NPT minimum plugged tapping

D. $\frac{1}{2}$ " NPT gas supply line

E. Gas shutoff valve

Gas Type

Natural gas:

This dryer is equipped for use with Natural gas. It is design-certified by CSA International for LP (propane or butane) gases with appropriate conversion.

- Your dryer must have the correct burner for the type of gas in your home. Burner information is located on the rating plate in the door well of your dryer. If this information does not agree with the type of gas available, contact your dealer or call the phone numbers referenced in the "Assistance or Service" section.

LP gas conversion:

Conversion must be made by a qualified technician.

No attempt shall be made to convert the appliance from the gas specified on the model/serial rating plate for use with a different gas without consulting your gas company.

Gas supply line

- Must include $\frac{1}{8}$ " NPT minimum plugged tapping accessible for test gauge connection, immediately upstream of the gas connection to the dryer. See illustration.
- $\frac{1}{2}$ " IPS pipe is recommended.
- $\frac{3}{8}$ " approved aluminum or copper tubing is acceptable for lengths under 20 ft (6.1 m) if local codes and gas supplier permit.
- If you are using Natural gas, do not use copper tubing.
- Lengths over 20 ft (6.1 m) should use larger tubing and a different size adapter fitting.

Gas supply connection requirements

- Use an elbow and a $\frac{3}{8}$ " flare x $\frac{3}{8}$ " NPT adapter fitting between the flexible gas connector and the dryer gas pipe, as needed to avoid kinking.
- Use only pipe-joint compound. Do not use TEFLON^{®†} tape.
- This dryer must be connected to the gas supply line with a listed flexible gas connector that complies with the standard for connectors for gas appliances, ANSI Z21.24 or CSA 6.10.

Burner input requirements

Elevations above 10,000 ft (3,048 m):

- When installed above 10,000 ft (3,048 m) a 4% reduction of the burner Btu rating shown on the model/serial number plate is required for each 1,000 ft (305 m) increase in elevation.

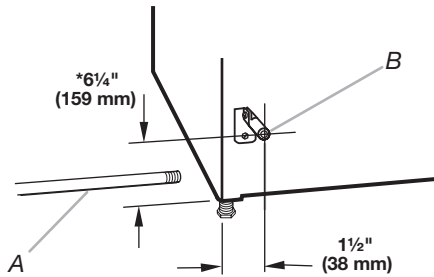
Gas supply pressure testing

- The dryer must be disconnected from the gas supply piping system during pressure testing at pressures greater than $\frac{1}{2}$ psi.

[†]TEFLON is a registered trademark of E.I. Du Pont De Nemours and Company.

Dryer gas pipe

- The gas pipe that comes out through the rear of your dryer has a $\frac{3}{8}$ " male pipe thread.

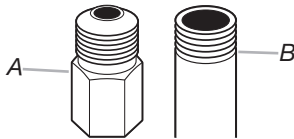


A. $\frac{1}{2}$ " NPT gas supply line
B. $\frac{3}{8}$ " NPT dryer pipe

***NOTE:** If the dryer is mounted on a pedestal, the gas pipe height must be an additional 10" (254 mm) or 15.5" (394 mm) from the floor, depending on the pedestal model. For a garage installation, the gas pipe height must be an additional 18" (457 mm) from the floor.

Make Gas Connection

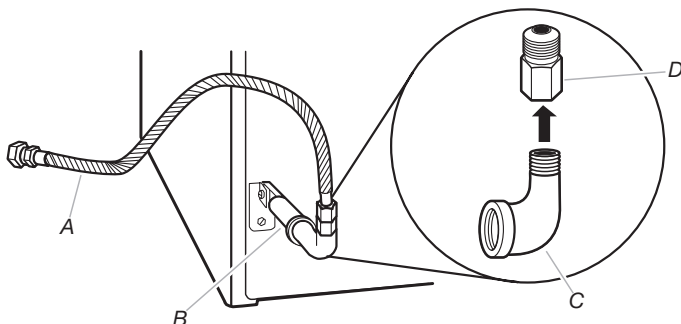
- Remove the red cap from the gas pipe.
- Using a wrench to tighten, connect the gas supply to the dryer. Use pipe-joint compound on the threads of all non-flared male fittings. If flexible metal tubing is used, be sure there are no kinks.



A. Flared male fitting
B. Non-flared male fitting

NOTE: For LP gas connections, you must use pipe-joint compound resistant to the action of LP gas. Do not use TEFLON[†] tape.

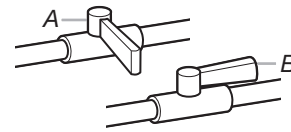
A combination of pipe fittings must be used to connect the dryer to the existing gas line. Shown is a recommended connection. Your connection may be different, according to the supply line type, size and location.



A. $\frac{3}{8}$ " flexible gas connector
B. $\frac{3}{8}$ " dryer pipe

C. $\frac{3}{8}$ " to $\frac{3}{8}$ " pipe elbow
D. $\frac{3}{8}$ " pipe-to-flare adapter fitting

- Open the shutoff valve in the supply line. The valve is open when the handle is parallel to the gas pipe.



A. Closed valve
B. Open valve

- Test all connections by brushing on an approved noncorrosive leak-detection solution. Bubbles will show a leak. Correct any leak found.

Electrical Requirements

⚠ WARNING



Electrical Shock Hazard

Plug into a grounded 3 prong outlet.

Do not remove ground prong.

Do not use an adapter.

Do not use an extension cord.

Failure to follow these instructions can result in death, fire, or electrical shock.

- 120 Volt, 60 Hz., AC only, 15- or 20-amp fused electrical supply is required. A time-delay fuse or circuit breaker is recommended. It is also recommended that a separate circuit serving only this dryer be provided.

GROUNDING INSTRUCTIONS

- For a grounded, cord-connected dryer: This dryer must be grounded. In the event of malfunction or breakdown, grounding will reduce the risk of electric shock by providing a path of least resistance for electric current. This dryer is equipped with a cord having an equipment-grounding conductor and a grounding plug. The plug must be plugged into an appropriate outlet that is properly installed and grounded in accordance with all local codes and ordinances.

WARNING: Improper connection of the equipment-grounding conductor can result in a risk of electric shock. Check with a qualified electrician or service representative or personnel if you are in doubt as to whether the dryer is properly grounded. Do not modify the plug provided with the dryer: if it will not fit the outlet, have a proper outlet installed by a qualified electrician.

SAVE THESE INSTRUCTIONS

[†]TEFLON is a registered trademark of E.I. Du Pont De Nemours and Company.

VENTING

Venting Requirements

WARNING



Fire Hazard

Use a heavy metal vent.

Do not use a plastic vent.

Do not use a metal foil vent.

Failure to follow these instructions can result in death or fire.

WARNING: To reduce the risk of fire, this dryer MUST BE EXHAUSTED OUTDOORS.

IMPORTANT: Observe all governing codes and ordinances.

The dryer exhaust must not be connected into any gas vent, chimney, wall, ceiling, attic, crawlspace, or a concealed space of a building.

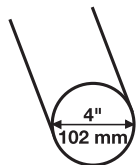
If using an existing vent system

- Clean lint from the entire length of the system and make sure exhaust hood is not plugged with lint.
- Replace any plastic or metal foil vent with rigid heavy metal or flexible metal vent.
- Review vent system chart. Modify existing vent system if necessary to achieve the best drying performance. Only rigid or flexible metal vent shall be used for exhausting.

If this is a new vent system

Vent material

- Use a heavy metal vent. Do not use plastic or metal foil vent.
- 4" (102 mm) heavy metal exhaust vent and clamps must be used.



4" (102 mm) heavy metal exhaust vent

Vent products can be purchased from your dealer or by calling Whirlpool Service. For more information, see the "Assistance or Service" section.

Rigid metal vent

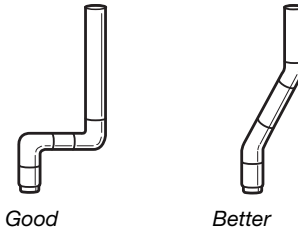
- For best drying performance, rigid metal vents are recommended.
- Rigid metal vent is recommended to avoid crushing and kinking.

Flexible metal vent

- Flexible metal vents are acceptable only if accessible for cleaning.
- Flexible metal vent must be fully extended and supported when the dryer is in its final location.
- Remove excess flexible metal vent to avoid sagging and kinking that may result in reduced airflow and poor performance.
- Do not install flexible metal vent in enclosed walls, ceilings, or floors.
- The total length of flexible metal vent should not exceed 7 $\frac{3}{4}$ ft. (2.4 m).

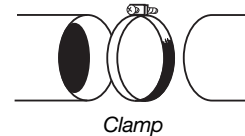
Elbows

45° elbows provide better airflow than 90° elbows.



Clamps

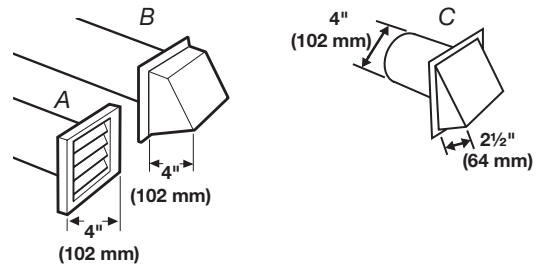
- Use clamps to seal all joints.
- Exhaust vent must not be connected or secured with screws or other fastening devices that extend into the interior of the duct and catch lint. Do not use duct tape.



Exhaust

A and B: Recommended hood styles.

C: Acceptable hood style.



A. Louvered hood style
B. Box hood style
C. Angled hood style

- An exhaust hood should cap the vent to keep rodents and insects from entering the home.
- Exhaust hood must be at least 12" (305 mm) from the ground or any object that may be in the path of the exhaust (such as flowers, rocks or bushes, snow line, etc.).

- Do not use an exhaust hood with a magnetic latch.

Improper venting can cause moisture and lint to collect indoors, which may result in:

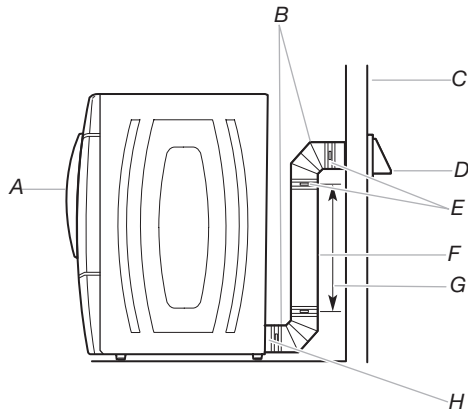
- Moisture damage to woodwork, furniture, paint, wallpaper, carpets, etc.
- Housecleaning problems and health problems.

Plan Vent System

Choose your exhaust installation type

Recommended exhaust installations

Typical installations vent the dryer from the rear of the dryer. Other installations are possible.



- | | |
|-----------------|--|
| A. Dryer | E. Clamps |
| B. Elbow | F. Rigid metal or flexible metal vent |
| C. Wall | G. Vent length necessary to connect elbows |
| D. Exhaust hood | H. Exhaust outlet |

Optional exhaust installations

This dryer can be converted to exhaust out the right side, left side, or through the bottom. If you prefer, you may contact your local dealer to have the dryer converted.

WARNING



Fire Hazard

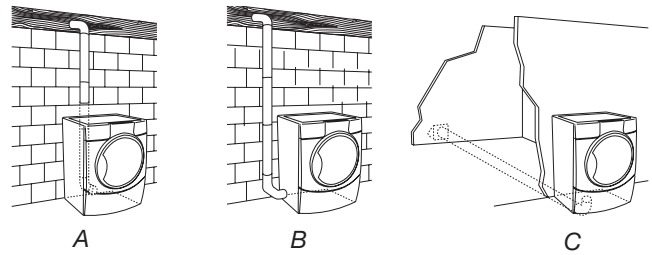
Cover unused exhaust holes with one of the following kits:

279818 (white)

W10186596 (midnight grey)

Contact your local dealer.

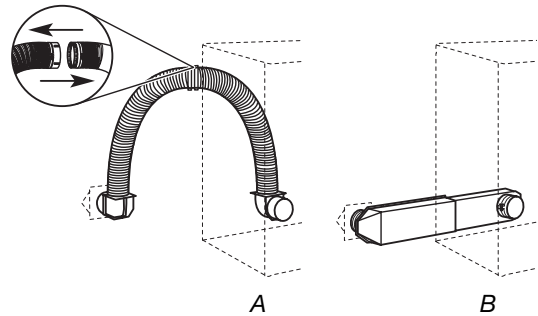
Failure to follow these instructions can result in death, fire, electrical shock, or serious injury.



A. Standard rear offset exhaust installation
B. Left or right side exhaust installation
C. Bottom exhaust installation

Alternate installations for close clearances

Venting systems come in many varieties. Select the type best for your installation. Two examples of close-clearance installations are shown. Refer to the manufacturer's instructions.



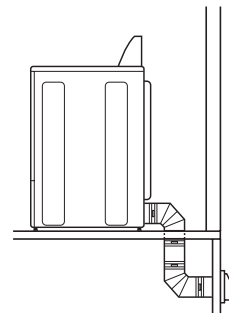
A. Over-the-top installation (also available with one offset elbow)
B. Periscope installation

NOTE: The following kits for close-clearance alternate installations are available for purchase. Please see the "Assistance or Service" section to order.

- Over-the-Top Installation:
Part Number 4396028
- Periscope Installation (For use with dryer vent to wall vent mismatch):
Part Number 4396037 - 0" (0 mm) to 18" (460 mm) mismatch
Part Number 4396011 - 18" (460 mm) to 29" (737 mm) mismatch
Part Number 4396014 - 29" (737 mm) to 50" (1270 mm) mismatch

Special provisions for mobile home installations

The exhaust vent must be securely fastened to a noncombustible portion of the mobile home structure and must not terminate beneath the mobile home. Terminate the exhaust vent outside.



Determine vent path

- Select the route that will provide the straightest and most direct path outdoors.

- Plan the installation to use the fewest number of elbows and turns.
- When using elbows or making turns, allow as much room as possible.
- Bend vent gradually to avoid kinking.
- Use the fewest 90° turns possible.

Determine vent length and elbows needed for best drying performance

- Use the following vent system chart to determine type of vent material and hood combinations acceptable to use.

NOTE: Do not use vent runs longer than those specified in the Vent system chart.

Exhaust systems longer than those specified will:

- Shorten the life of the dryer.
- Reduce performance, resulting in longer drying times and increased energy usage.

The vent system chart provides venting requirements that will help to achieve the best drying performance.

Vent system chart

NOTE: Side and bottom exhaust installations have a 90° turn inside the dryer. To determine maximum exhaust length, add one 90° turn to the chart.

Number 90° elbows	Type of vent	Box /louvered hoods	Angled hoods
0	Rigid metal	64ft (20 m)	58ft (17.7 m)
1	Rigid metal	54 ft (16.5 m)	48 ft (14.6 m)
2	Rigid metal	44 ft (13.4 m)	38 ft (11.6 m)
3	Rigid metal	35 ft (10.7 m)	29 ft (8.8 m)
4	Rigid metal	27 ft (8.2 m)	21 ft (6.4 m)

Install Vent System

1. Install exhaust hood. Use caulking compound to seal exterior wall opening around exhaust hood.
2. Connect vent to exhaust hood. Vent must fit inside exhaust hood. Secure vent to exhaust hood with 4" (102 mm) clamp.
3. Run vent to dryer location. Use the straightest path possible. See "Determine vent path" in "Plan Vent System." Avoid 90° turns. Use clamps to seal all joints. Do not use duct tape, screws, or other fastening devices that extend into the interior of the vent to secure vent, because they can catch lint.

INSTALL LEVELING LEGS

⚠ WARNING

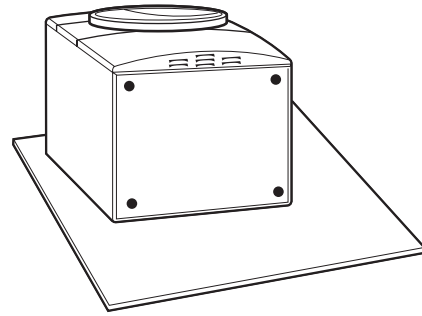
Excessive Weight Hazard

Use two or more people to move and install dryer.

Failure to do so can result in back or other injury.

1. To avoid damaging the floor, use a large flat piece of cardboard from the dryer carton. Place cardboard under the entire back edge of the dryer.

2. Firmly grasp the body of the dryer (not the console panel). Gently lay the dryer on the cardboard. See illustration.



3. Examine the leveling legs. Find the diamond marking.



4. Screw the legs into the leg holes by hand. Use a wrench to finish turning the legs until the diamond marking is no longer visible.
5. Place a carton corner post from dryer packaging under each of the 2 dryer back corners. Stand the dryer up. Slide the dryer on the corner posts until it is close to its final location. Leave enough room to connect the exhaust vent.

CONNECT VENT

1. Using a 4" (102 mm) clamp, connect vent to exhaust outlet in dryer. If connecting to existing vent, make sure the vent is clean. The dryer vent must fit over the dryer exhaust outlet and inside the exhaust hood. Check that the vent is secured to exhaust hood with a 4" (102 mm) clamp.
2. Move dryer into its final location. Do not crush or kink vent.
3. (On gas models) Check that there are no kinks in the flexible gas line.
4. Once the exhaust vent connection is made, remove the corner posts and cardboard.

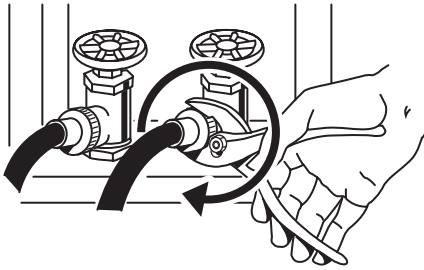
CONNECT INLET HOSE (STEAM MODELS)

The dryer must be connected to the cold water faucet using the new inlet hoses. Do not use old hoses.

1. Turn cold water faucet off and remove washer inlet hose.
2. Remove old rubber washer from inlet hose and replace with new rubber washer provided. If space permits, attach the brass female end of the "Y" connector to the cold water faucet.

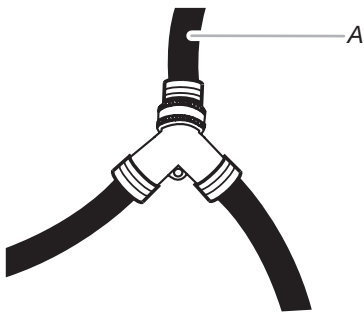
NOTE: If "Y" connector can be attached directly to cold water faucet, go to Step 6. If "Y" connector cannot be attached directly to the cold water faucet, the short hose must be used. Continue with Step 3.
3. Attach short hose to cold water faucet. Screw on coupling by hand until it is seated on faucet.

- Using pliers, tighten the couplings with an additional two-thirds turn.



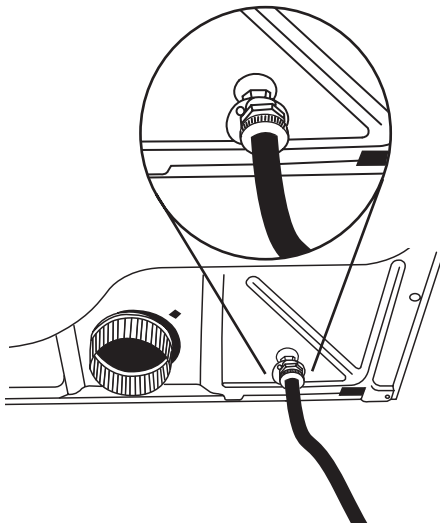
NOTE: Do not overtighten. Damage to the coupling can result.

- Attach “Y” connector to brass male end of small hose. Screw on coupling by hand until it is seated on connector.
- One end of the long hose has a wire mesh strainer inside the coupling. Attach this end to the “Y” connector.
- Attach washer cold inlet hose to other end of “Y” connector. Screw on coupling by hand until it is seated on connector.



A. Inlet to cold water

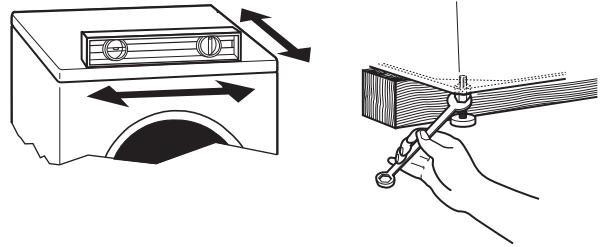
- Using pliers, tighten the couplings an additional two-thirds turn.
- NOTE:** Do not overtighten. Damage to the coupling can result.
- Attach other end of long hose to fill valve at bottom of dryer back panel. Screw on coupling by hand until it is seated on fill valve connector.



- Using pliers, tighten the coupling an additional two-thirds turn.
- NOTE:** Do not overtighten. Damage to the coupling can result.
- Check that the water faucets are on.
 - Check for leaks around “Y” connector, faucet, and hoses.

LEVEL DRYER

Check the levelness of the dryer. Check levelness first side to side, then front to back.



If the dryer is not level, prop up the dryer using a wood block. Use a wrench to adjust the legs up or down and check again for levelness.

COMPLETE INSTALLATION

- Check that all parts are now installed. If there is an extra part, go back through the steps to see which step was skipped.
- Check that you have all of your tools.
- Dispose of/recycle all packaging materials.
- Check the dryer’s final location. Be sure the vent is not crushed or kinked.
- Check that the dryer is level. See “Level Dryer.”
- Remove the blue film on the console and any tape remaining on the dryer.
- Wipe the dryer drum interior thoroughly with a damp cloth to remove any dust.
- Read “Dryer Use.”

Electric Models Only

- For power supply cord installation, plug into a grounded outlet.

Gas Models Only:

- Check that gas supply is on.
- Check for leaks.

Steam Models Only:

- Be sure the water faucets are on.
- Check for leaks around “Y” connector, faucet, and hoses.
- If you live in a hard water area, use of a water softener is recommended to control the buildup of scale through the water system in the dryer. Over time, the buildup of lime scale may clog different parts of the water system, which will reduce product performance. Excessive scale buildup may lead to the need for certain part replacement or repair.

All Models:

- Select a Timed Dry heated cycle, and start the dryer. Do not select the Air Only Temperature setting.

If the dryer will not start, check the following:

- Controls are set in a running or “On” position.
- Start button has been pushed firmly.
- Dryer is plugged into a grounded 3 prong outlet and/or electrical supply is connected.
- Household fuse is intact and tight, or circuit breaker has not tripped.
- Dryer door is closed.

This dryer automatically runs an installation diagnostic routine at the start of its first cycle.

If you receive an L2 code, there may be a problem with your home power supply keeping the dryer's heater from turning on. See "Troubleshooting."

- 16. When the dryer has been running for 5 minutes, open the dryer door and feel for heat. If you feel heat, cancel cycle and close the door.

If you do not feel heat, turn off the dryer and check the following:

- There may be 2 household fuses or circuit breakers for the dryer. Check that both fuses are intact and tight, or that both circuit breakers have not tripped. If there is still no heat, contact a qualified technician.

NOTE: You may notice an odor when the dryer is first heated. This odor is common when the heating element is first used. The odor will go away.

TROUBLESHOOTING

First try the solutions suggested here and possibly avoid the cost of a service call...

Dryer Operation

Dryer will not run

- **Has a household fuse blown, or has a circuit breaker tripped?**
There may be 2 household fuses or circuit breakers for the dryer. Check that both fuses are intact and tight, or that both circuit breakers have not tripped. Replace the fuse or reset the circuit breaker. If the problem continues, call an electrician.
- **Is the correct power supply available?**
Electric dryers require 240-volt power supply. Check with a qualified electrician.
- **Was a regular fuse used?**
Use a time-delay fuse.

No heat

- **Has a household fuse blown, or has a circuit breaker tripped?**
The drum may be turning, but you may not have heat. Electric dryers use 2 household fuses or circuit breakers. Replace the fuse or reset the circuit breaker. If the problem continues, call an electrician.

Dryer displaying code message

- **"PF" (power failure), check the following:**
Was the drying cycle interrupted by a power failure? Press and hold START/PAUSE to restart the dryer.
- **"L2" Diagnostic Code (low or no line voltage condition):**
The drum will turn, but there may be a problem with your home power supply keeping the dryer's heater from turning on. The dryer will continue to run when this diagnostic code is present. Press any key to clear the code from the display and return to the estimated time remaining.
Try the following:
Check to see if a household fuse has blown or circuit breaker has tripped. Electric dryers use two household fuses or breakers. Replace the fuse or reset the circuit breaker.
Confirm the power cord is properly installed. Refer to "Electrical Connection" for details.
Select a Timed Dry heated cycle, and restart the dryer.
If the message persists, consult a qualified electrician.

- **"AF" (low airflow condition):**
The dryer will continue to run when this diagnostic code is present. Press any key to clear the code from the display and return to the estimated time remaining.

Try the following:

- Clean lint screen.
- Check to see if the vent run from the dryer to the wall is crushed or kinked.
- Confirm the vent run from the dryer to the wall is free of lint and debris.
- Confirm the exterior vent exhaust hood is free of lint and debris.
- Confirm your vent system falls within the recommended run length and number of elbows for the type of vent you are using. Refer to "Plan Vent System" for details.
- Select a Timed Dry heated cycle, and restart the dryer.
If the message persists, have your entire home venting run cleaned.
- **"E" Variable (E1, E2, E3) service codes:**
Call for service.

Dryer Results

Clothes are not drying satisfactorily, drying times are too long, or load is too hot

- **Is the lint screen clogged with lint?**
Lint screen should be cleaned before each load.

WARNING



Fire Hazard

- Use a heavy metal vent.**
- Do not use a plastic vent.**
- Do not use a metal foil vent.**
- Failure to follow these instructions can result in death or fire.**

- **Is the exhaust vent or outside exhaust hood clogged with lint, restricting air movement?**
Run the dryer for 5-10 minutes. Hold your hand under the outside exhaust hood to check air movement. If you do not feel air movement, clean exhaust system of lint or replace exhaust vent with heavy metal or flexible metal vent. See the Installation Instructions.
- **Are fabric softener sheets blocking the grille?**
Use only one fabric softener sheet, and use it only once.

- **Is the exhaust vent the correct length?**
Check that the exhaust vent is not too long or has too many turns. Long venting will increase drying times. See the Installation Instructions.
- **Is the exhaust vent diameter the correct size?**
Use 4" (102 mm) diameter vent material.
- **Is the dryer located in a room with temperature below 45°F (7°C)?**
Proper operation of dryer cycles requires temperatures above 45°F (7°C).

WARNING



Explosion Hazard

- Keep flammable materials and vapors, such as gasoline, away from dryer.**
- Place dryer at least 18 inches (460 mm) above the floor for a garage installation.**
- Failure to do so can result in death, explosion, or fire.**

- **Is the dryer located in a closet?**
Closet doors must have ventilation openings at the top and bottom of the door. The front of the dryer requires a minimum of 1" (25 mm) of airspace, and, for most installations, the rear of the dryer requires 5" (127 mm). See the Installation Instructions.

SÉCURITÉ DE LA SÈCHEUSE

Votre sécurité et celle des autres est très importante.

Nous donnons de nombreux messages de sécurité importants dans ce manuel et sur votre appareil ménager. Assurez-vous de toujours lire tous les messages de sécurité et de vous y conformer.



Voici le symbole d'alerte de sécurité.

Ce symbole d'alerte de sécurité vous signale les dangers potentiels de décès et de blessures graves à vous et à d'autres.

Tous les messages de sécurité suivront le symbole d'alerte de sécurité et le mot "DANGER" ou "AVERTISSEMENT". Ces mots signifient :

 **DANGER**

Risque possible de décès ou de blessure grave si vous ne suivez pas immédiatement les instructions.

 **AVERTISSEMENT**

Risque possible de décès ou de blessure grave si vous ne suivez pas les instructions.

Tous les messages de sécurité vous diront quel est le danger potentiel et vous disent comment réduire le risque de blessure et ce qui peut se produire en cas de non-respect des instructions.



AVERTISSEMENT - "Risque d'incendie"

- L'installation de la sècheuse à linge doit être effectuée par un installateur qualifié.
- Installer la sècheuse conformément aux instructions du fabricant et aux codes locaux.
- Ne pas installer de sècheuse à linge avec des matériaux d'évacuation en plastique souple. Si un conduit métallique souple (de type papier d'aluminium) est installé, celui-ci doit être d'un type spécifique identifié par le fabricant de l'appareil et convenir à une utilisation avec les sècheuses à linge. Les matériaux d'évacuation souples sont connus pour s'affaisser, être facilement écrasés et bloquer la charpie. Ces situations obstrueront le débit d'air de la sècheuse à linge et augmenteront le risque d'incendie.
- Pour réduire le risque de blessure grave ou de décès, suivre toutes les instructions d'installation.
- Conserver ces instructions.

AVERTISSEMENT : Pour votre sécurité, les renseignements dans ce manuel doivent être observés pour réduire au minimum les risques d'incendie ou d'explosion ou pour éviter des dommages au produit, des blessures ou un décès.

- **Ne pas entreposer ou utiliser de l'essence ou d'autres vapeurs ou liquides inflammables à proximité de cet appareil ou de tout autre appareil électroménager.**
- **QUE FAIRE DANS LE CAS D'UNE ODEUR DE GAZ :**
 - **Ne pas tenter d'allumer un appareil.**
 - **Ne pas toucher à un commutateur électrique; ne pas utiliser le téléphone se trouvant sur les lieux.**
 - **Évacuer tous les gens de la pièce, de l'édifice ou du quartier.**
 - **Appeler immédiatement le fournisseur de gaz du téléphone d'un voisin. Suivre ses instructions.**
 - **À défaut de joindre votre fournisseur de gaz, appeler les pompiers.**
- **L'installation et l'entretien doivent être effectués par un installateur qualifié, une agence de service ou le fournisseur de gaz.**

AVERTISSEMENT : L'odorat ne permet pas toujours la détection d'une fuite de gaz.

Les distributeurs de gaz recommandent l'emploi d'un détecteur de gaz (homologation UL ou CSA).

Pour d'autre information, contacter le fournisseur de gaz local.

En cas de détection d'une fuite de gaz, exécuter les instructions "Que faire dans le cas d'une odeur de gaz".

IMPORTANT : L'installation du gaz doit se conformer aux codes locaux, ou en l'absence de codes locaux, au code canadien d'installation B149.1 du gaz naturel ou du propane.

La sècheuse doit être électriquement reliée à la terre conformément aux codes locaux, ou en l'absence de codes locaux, au Code canadien de l'électricité, CSA C22.1.

Dans l'État du Massachusetts, les instructions d'installation suivantes sont applicables :

- Les travaux d'installation et réparation doivent être exécutés par un plombier ou tuyauteur qualifié ou licencié, ou par le personnel qualifié d'une entreprise licenciée par l'État du Massachusetts.
- Si une vanne à boisseau sphérique est utilisée, elle doit comporter une manette "T".
- Si un conduit de raccordement flexible est utilisé, sa longueur ne doit pas dépasser 3 pi.

Avertissements de la proposition 65 de l'État de Californie :

AVERTISSEMENT : Ce produit contient un produit chimique connu par l'État de Californie pour être à l'origine de cancers.

AVERTISSEMENT : Ce produit contient un produit chimique connu par l'État de Californie pour être à l'origine de malformations et autres déficiences de naissance.

EXIGENCES D'INSTALLATION

Outillage et pièces

Rassembler les outils et pièces nécessaires avant de commencer l'installation. Lire et suivre les instructions fournies avec les outils indiqués ici.

Pour toutes les installations :

- Tournevis à lame plate
- Tournevis Phillips n° 2
- Clé à molette avec ouverture jusqu'à 1" (25 mm) ou clé à douille hexagonale (pour ajuster les pieds de la sècheuse)
- Niveau
- Brides de serrage
- Pince
- Pistolet à calfeutrage et composé de calfeutrage (pour l'installation d'un nouveau conduit d'évacuation)
- Cisaille de ferblantier (pour l'installation d'un nouveau conduit)
- Tourne-écrou de 1/4" (recommandé)
- Mètre-ruban

Installations à gaz :

- Clé à tuyau de 8" ou 10"
- Clé à mollette de 8" ou 10" (pour le raccordement au gaz)
- Composé d'étanchéité des raccords filetés - résistant au gaz propane

Pièces fournies :

Modèles sans vapeur



4 pieds de nivellement

Retirer le sachet de pièces du tambour de la sècheuse. Vérifier que toutes les pièces sont présentes.

REMARQUE : Ne pas utiliser les pieds de nivellement fournis avec la sècheuse en cas d'installation sur un piédestal.

Modèles à vapeur



A



B



C



D



E

A. Pieds de nivellement (4)

B. Connecteur en "Y"

C. Tuyau d'alimentation court

D. Long tuyau d'arrivée d'eau

E. Rondelle en caoutchouc

Retirer le sachet de pièces du tambour de la sècheuse. Vérifier que toutes les pièces sont présentes.

REMARQUE : Ne pas utiliser les pieds de nivellement fournis avec la sècheuse en cas d'installation sur un piédestal.

Pièces nécessaires

Consulter les codes locaux. Vérifier l'alimentation électrique et le circuit d'évacuation existants. Voir "Spécifications électriques" et "Exigences concernant l'évacuation" avant d'acheter les pièces.

Les installations pour maison mobile nécessitent un système d'évacuation en métal disponible chez le marchand chez qui vous avez acheté votre sècheuse. Pour en savoir plus, veuillez consulter la section "Assistance ou service" de votre Guide d'utilisation et d'entretien.

Équipement facultatif

Consulter votre Guide d'utilisation et d'entretien pour en savoir plus sur les accessoires disponibles pour votre sècheuse.

Exigences d'emplacement

⚠ AVERTISSEMENT



Risque d'explosion

Garder les matières et les vapeurs inflammables, telle que l'essence, loin de la sècheuse.

Placer la sècheuse au moins 460 mm (18 po) au-dessus du plancher pour une installation dans un garage.

Le non-respect de ces instructions peut causer un décès, une explosion ou un incendie.

Il vous faudra

- Un emplacement avec un conduit d'évacuation à proximité. Voir "Exigences concernant l'évacuation".
- Un circuit distinct de 15 ou 20 A est requis pour les sècheuses à gaz et un circuit distinct de 30 A est requis pour les sècheuses électriques.
- Une prise électrique avec liaison à la terre située à moins de 2 pi (610 mm) de l'un des côtés de la sècheuse. Voir "Spécifications électriques".
- Un plancher robuste capable de supporter un poids total (sècheuse et charge) de 200 lb (90,7 kg). Le poids combiné d'un appareil voisin doit également être pris en compte.
- Un plancher de niveau ayant une pente maximale de 1" (25 mm) sous l'ensemble de la sècheuse. Si l'inclinaison est supérieure à 1" (25 mm), installer l'ensemble de pieds d'extension de sècheuse, pièce no 279810. Si la sècheuse n'est pas de niveau, les vêtements peuvent ne pas culbuter convenablement et les programmes automatiques de détection peuvent ne pas fonctionner correctement.
- Pour l'installation dans un garage, vous devez placer la sècheuse à au moins 18" (460 mm) au-dessus du sol. En cas d'utilisation d'un piédestal, il faudra 18" (460 mm) jusqu'au fond de la sècheuse.
- Modèles à vapeur uniquement : Les robinets d'eau froide doivent être situés à moins de 4 pi (1,2 m) de la sècheuse et la pression de l'eau doit être de 20 à 100 lb/po² (137,9 à 689,6 kPa). Vous pouvez utiliser l'alimentation en eau droite de votre laveuse à l'aide du connecteur en "Y" fourni.

Ne pas faire fonctionner la sècheuse à des températures inférieures à 45°F (7°C). À des températures inférieures, la sècheuse risque de ne plus s'arrêter à la fin d'un programme automatique. Les temps de séchage risquent alors d'augmenter.

La sècheuse ne doit pas être installée ou remisee dans un endroit où elle sera exposée à l'eau et/ou aux intempéries.

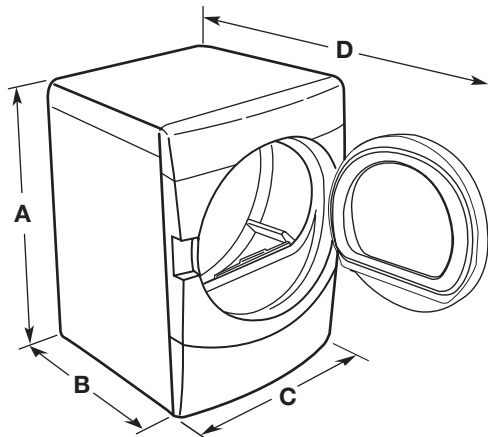
Vérifier les règlements locaux. Certains codes limitent ou n'autorisent pas l'installation des sècheuses dans un garage, un placard, une maison mobile ou une chambre à coucher. Communiquer avec l'inspecteur des bâtiments local.

REMARQUE : Aucun autre appareil consommant un combustible ne doit être installé dans le même placard qu'une sècheuse.

Dégagements de séparation à respecter

L'emplacement doit être assez grand pour permettre d'ouvrir complètement la porte de la sècheuse.

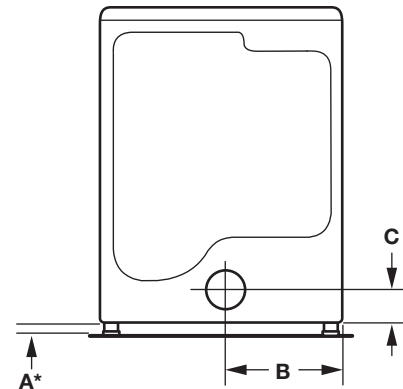
Dimensions de la sècheuse



	Vapeur (électrique ou à gaz)	Sans vapeur (électrique ou à gaz)
A	38" (965 mm)	38" (965 mm)
B	32 9/16" (827 mm)	31 1/2" (800 mm)
C	27" (686 mm)	27" (686 mm)
D	52 9/16" (1335 mm)	51 1/2" (1308 mm)

REMARQUE : La plupart des installations requièrent un espace minimum de 5" (127 mm) derrière la sècheuse pour le conduit d'évacuation avec coude.

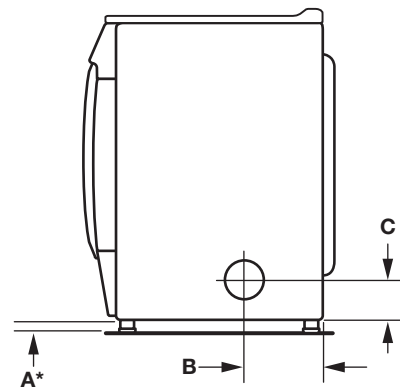
Dimensions pour l'évacuation



Vue arrière

	Vapeur (électrique ou à gaz)	Sans vapeur (électrique ou à gaz)
A*	1" (25 mm)	1" (25 mm)
B	14" (356 mm)	14" (356 mm)
C	3 7/16" (87 mm)	3 7/16" (87 mm)

* La dimension A est approximative et dépend de la visibilité du losange sur le pied de nivellement.



Vue latérale

	Steam (Electric or Gas)	Non-Steam (Electric or Gas)
A*	1" (25 mm)	1" (25 mm)
B	7 5/8" (194 mm)	7 5/8" (194 mm)
C	3 3/8" (86 mm)	3 3/8" (86 mm)

* La dimension A est approximative et dépend de la visibilité du losange sur le pied de nivellement.

Voir "Exigences concernant l'évacuation".

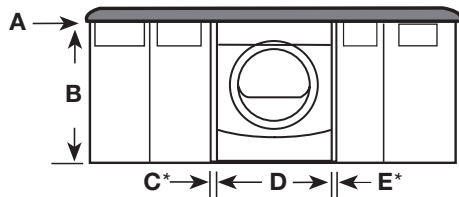
Espacement pour une installation dans un encastrement ou dans un placard

On recommande les dimensions d'espacement suivantes pour cette sècheuse. Cette sècheuse a été testée pour une installation avec dégagement de 0" (0 mm) sur les côtés et à l'arrière. L'espacement recommandé doit être considéré pour les raisons suivantes :

- Prévoir davantage d'espace pour faciliter l'installation et l'entretien.
- Un espace supplémentaire peut être requis pour les moulures de porte et de plancher et pour les plinthes.

- Un espace supplémentaire doit être envisagé de tous les côtés de la sècheuse afin de réduire le transfert de bruit.
- Pour installation dans un placard avec porte, on doit prévoir des ouvertures minimales d'entrée d'air en haut et en bas de la porte. Les portes à claire-voie offrant des ouvertures équivalentes de passage de l'air sont acceptables.
- Il faut aussi prendre en compte l'espace requis entre les appareils voisins.

Installation personnalisée sous un comptoir - sècheuse seulement

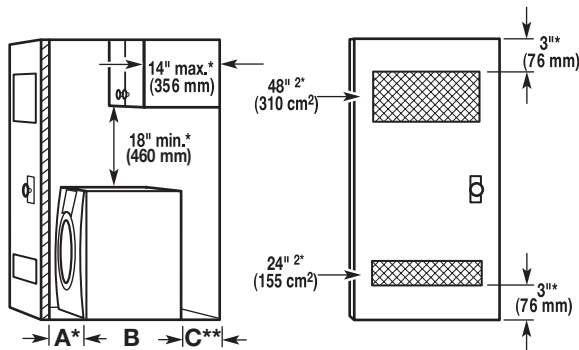


	Vapeur (électrique ou à gaz)	Sans vapeur (électrique ou à gaz)
A	0" (0 mm)	0" (0 mm)
B	38" (965 mm)	38" (965 mm)
C*	1" (25 mm)	1" (25 mm)
D	27" (686 mm)	27" (686 mm)
E*	1" (25 mm)	1" (25 mm)

*Espace requis

REMARQUE : Certains modèles ne sont pas recommandés pour une installation sous un comptoir.

Installation dans un placard - Sécheuse seulement



Vue latérale

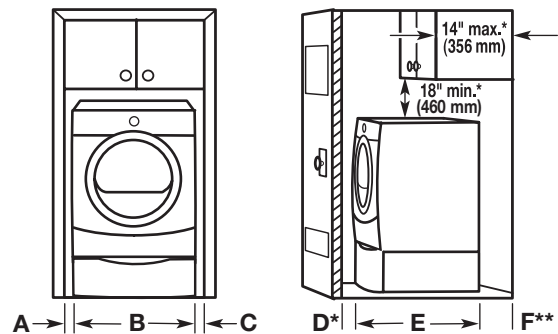
Porte de placard avec orifices d'entrée d'air

	Vapeur (électrique ou à gaz)	Sans vapeur (électrique ou à gaz)
A*	1" (25 mm)	1" (25 mm)
B	32 9/16" (827 mm)	31 1/2" (800 mm)
C**	5" (127 mm)	5" (127 mm)

*Espace requis

**Pour une évacuation par le côté ou par le fond, un espace de 0" (0 mm) est permis.

Installation dans un encastrement ou placard - sècheuse sur piedestal



	Vapeur (électrique ou à gaz)	Sans vapeur (électrique ou à gaz)
A	1" (25 mm)	1" (25 mm)
B	27" (686 mm)	27" (686 mm)
C	1" (25 mm)	1" (25 mm)
D*	1" (25 mm)	1" (25 mm)
E	32 9/16" (827 mm)	31 1/2" (800 mm)
F**	5" (127 mm)	5" (127 mm)

*Espace requis

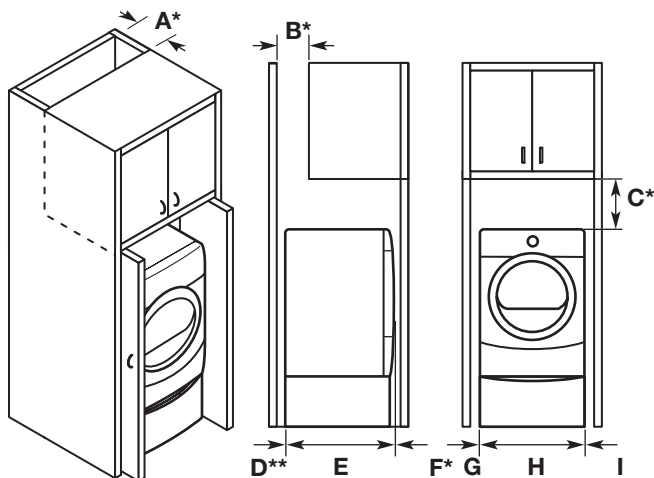
**Pour une évacuation par le côté ou par le fond, un espace de 0" (0 mm) est permis.

REMARQUE : Certains modèles ne sont pas recommandés pour une installation dans un encastrement ou un placard.

Espacement recommandé pour l'installation dans un placard

REMARQUE : Certains modèles ne sont pas recommandés pour une installation dans un placard.

- Pour installation dans un placard avec porte, on doit prévoir des ouvertures minimum d'entrée d'air au sommet du placard.



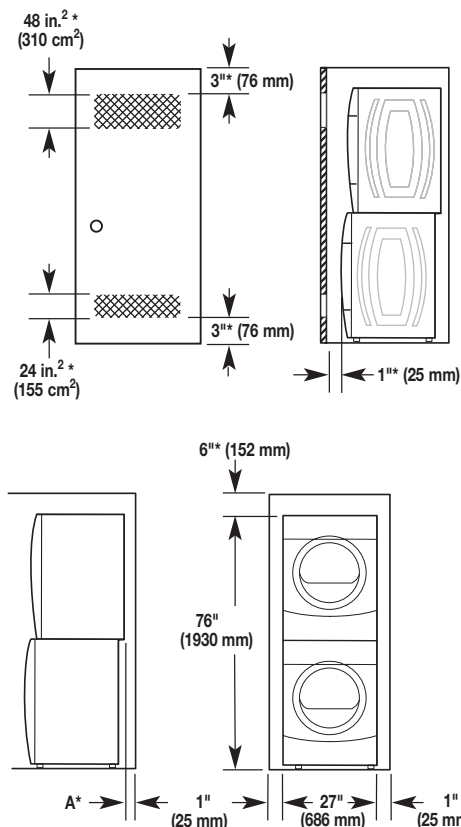
	Vapeur (électrique ou à gaz)	Sans vapeur (électrique ou à gaz)
A*	7" (178 mm)	7" (178 mm)
B*	7" (178 mm)	7" (178 mm)
C*	9" (229 mm)	9" (229 mm)
D**	5" (127 mm)	5" (127 mm)
E	32 9/16" (827 mm)	31 1/2" (800 mm)
F*	1" (25 mm)	1" (25 mm)
G	1" (25 mm)	1" (25 mm)
H	27" (686 mm)	27" (686 mm)
I	1" (25 mm)	1" (25 mm)

*Espacement requis

**Pour une évacuation par le côté ou par le fond, un espacement de 0" (0 mm) est permis.

Espacement recommandé pour une installation dans un encastrement ou dans un placard, avec laveuse et sècheuse superposées

Les dimensions indiquées sont pour l'espacement recommandé.



	Vapeur (électrique ou à gaz)	Sans vapeur (électrique ou à gaz)
A*	5 1/2" (140 mm)	5" (127 mm)

*Espacement requis

REMARQUE : Certains modèles ne sont pas recommandés pour une installation dans un encastrement ou dans un placard.

Exigences supplémentaires concernant l'installation dans une maison mobile

Cette sècheuse peut être installée dans une maison mobile. L'installation doit être conforme à la norme canadienne sur les maisons préfabriquées CAN/CSA-Z240 MH.

L'installation dans une maison mobile exige :

Spécifications électriques

- Un système d'évacuation en métal qui peut être acheté chez votre marchand.
- Il faut prendre des dispositions spéciales pour l'apport d'air extérieur dans la sècheuse lors d'une installation dans une maison mobile. La surface de toute ouverture pour l'apport d'air extérieur (telle qu'une fenêtre à proximité) doit être au moins deux fois plus grande que l'ouverture de décharge de la sècheuse.

Pour les sècheuses à gaz

- Trousse d'installation pour maison mobile Pièce n° 346764. Voir la section "Outillage et pièces" pour des renseignements sur la commande.

RACCORDEMENT DE L'ALIMENTATION À LA SÈCHEUSE ÉLECTRIQUE

Spécifications électriques

AVERTISSEMENT



Risque de choc électrique

Brancher sur une prise à 4 alvéoles reliée à la terre.

Le non-respect de cette instruction peut causer un décès ou un choc électrique.

C'est à l'utilisateur qu'incombe la responsabilité de

- Contacter un électricien qualifié.
- S'assurer que le raccordement électrique est adéquat et conforme au code national de l'électricité, C22.1 - dernière édition, et à tous les codes locaux. Pour obtenir un exemplaire des normes des codes ci-dessus, contacter : Canadian Standards Association, 178 Rexdale Blvd., Toronto, ON M9W 1R3 CANADA.
- L'appareil doit être alimenté uniquement par une alimentation électrique monophasée de 120/240 V, CA seulement, 60 Hz à 4 fils, sur un circuit séparé de 30 ampères, protégée par fusible aux deux extrémités de la ligne. On recommande d'utiliser un fusible ou un disjoncteur temporisé. On recommande également que cet appareil soit alimenté par un circuit indépendant.
- Cette sècheuse est équipée d'un cordon électrique homologué par la CSA International à introduire dans une prise murale standard 14-30R. Le cordon mesure 5 pi (1,52 m). Veiller à ce que la prise murale se trouve à proximité de l'emplacement définitif de la sècheuse.



Prise murale à 4 fils (14-30R)

En cas d'utilisation d'un cordon d'alimentation de rechange, il est recommandé d'utiliser le cordon d'alimentation électrique numéro 9831317 (pièce de rechange).

Pour en savoir plus, veuillez vous reporter aux numéros de service qui se trouvent à la section "Assistance ou service".

INSTRUCTIONS DE LIAISON À LA TERRE

- Pour une sècheuse reliée à la terre et connectée par un cordon :

Cette sècheuse doit être reliée à la terre. En cas de mauvais fonctionnement ou de panne, la liaison à la terre réduira le risque de choc électrique en offrant au courant électrique un acheminement d'évacuation de moindre résistance. Cette sècheuse est alimentée par un cordon électrique comportant un conducteur relié à la terre et une fiche de branchement munie d'une broche de liaison à la terre. La fiche doit être branchée sur une prise appropriée qui est bien installée et reliée à la terre conformément à tous les codes et règlements locaux.

AVERTISSEMENT : Le raccordement incorrect de cet appareil au conducteur de liaison à la terre peut susciter un risque de choc électrique. En cas de doute quant à la qualité de liaison à la terre de la sècheuse, consulter un électricien ou un technicien ou un personnel qualifié. Ne pas modifier la fiche de branchement fournie avec la sècheuse; si la fiche ne correspond pas à la configuration de la prise de courant, demander à un électricien qualifié d'installer une prise de courant appropriée.

CONSERVEZ CES INSTRUCTIONS

RACCORDEMENT DE L'ALIMENTATION À LA SÉCHEUSE À GAZ

Alimentation en gaz

AVERTISSEMENT



Risque d'explosion

Utiliser une canalisation neuve d'arrivée de gaz approuvée par CSA International.

Installer un robinet d'arrêt.

Bien serrer chaque organe de connexion de la canalisation de gaz.

En cas de connexion au gaz propane, demander à une personne qualifiée de s'assurer que la pression de gaz ne dépasse pas 330 mm (13 po) de la colonne d'eau.

Par personne qualifiée, on comprend :

le personnel autorisé de chauffage,
le personnel autorisé d'une compagnie de gaz, et
le personnel d'entretien autorisé.

Le non-respect de ces instructions peut causer un décès, un explosion ou un incendie.

Type de gaz

Gaz naturel :

Cette sècheuse est équipée pour une alimentation au gaz naturel. Sa conception est homologuée par CSA International pour l'alimentation au gaz de pétrole liquéfié (propane ou butane), avec conversion appropriée.

- Cette sècheuse doit être équipée du brûleur convenable, correspondant au gaz spécifique qui alimente l'habitation. L'information sur le brûleur se trouve sur la plaque signalétique dans le logement de la porte de la sècheuse. Si cette information ne correspond pas au type de gaz disponible, communiquer avec votre marchand ou composer les numéros indiqués dans la section "Assistance ou service".

Conversion au gaz de pétrole liquéfié :

Un technicien qualifié doit effectuer la conversion.

Ne pas entreprendre de convertir l'appareil pour l'utilisation d'un gaz différent de celui indiqué sur la plaque signalétique sans d'abord consulter le fournisseur de gaz.

Canalisation d'arrivée de gaz

- La canalisation doit comprendre un connecteur obturé (filetage NPT 1/8" ou plus) accessible pour le raccordement de l'instrument de mesure immédiatement en amont de la connexion d'alimentation en gaz de la sècheuse (voir l'illustration suivante).
- Un tuyau IPS de 1/2" est recommandé.
- Pour les longueurs inférieures à 20 pi (6,1 m), on peut utiliser des tuyaux approuvés de cuivre ou d'aluminium de 3/8" si les codes locaux et le fournisseur de gaz le permettent.
- Pour le gaz naturel, ne pas utiliser de conduits en cuivre.
- Pour les longueurs supérieures à 20 pi (6,1 m), on peut utiliser des tuyaux plus gros et un adaptateur de grosseur différente.
- Si la sècheuse a été convertie au gaz de pétrole liquéfié, on peut utiliser un tuyau en cuivre compatible avec le gaz de pétrole liquéfié de 3/8". Si la longueur totale de la canalisation d'arrivée de gaz est supérieure à 20 pi (6,1 m), utiliser une plus grosse conduite.

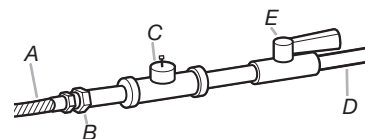
REMARQUE : On doit utiliser un composé d'étanchéité des tuyauteries résistant à l'action du gaz de pétrole liquéfié. Ne pas utiliser de ruban TEFLON®†.

- Doit comporter un robinet d'arrêt du gaz :

Au Canada :

Un robinet d'arrêt manuel individuel doit être installé à six (6) pieds (1,8 m) de la sècheuse conformément au Natural Gas and Propane Installation Code, B149.1.

L'emplacement doit être facilement accessible pour l'ouverture et la fermeture.



- A. Connecteur de gaz souple de 3/8"
- B. Adaptateur du tuyau au joint conique de 3/8"
- C. Connecteur obturé (filetage NPT de 1/8" ou plus)
- D. Canalisation d'arrivée de gaz NPT de 1/2"
- E. Robinet d'arrêt du gaz

Exigences concernant le raccordement au gaz

- Utiliser un coude et un adaptateur NPT de 3/8" x 3/8" entre le connecteur de gaz flexible et la conduite de gaz de la sècheuse, tel que nécessaire pour éviter le pincement.
- Utiliser uniquement un composé d'étanchéité des tuyauteries. Ne pas utiliser de ruban TEFLON®†.
- On doit raccorder la sècheuse à la conduite d'alimentation en gaz à l'aide d'un connecteur de gaz flexible homologué qui respecte les normes applicables aux connecteurs utilisés avec des appareils ménagers à gaz, CSA 6.10.

†®TEFLON est une marque déposée de E.I. Du Pont De Nemours et Compagnie.

Exigences concernant l'alimentation du brûleur

Altitudes supérieures à 10 000 pi (3048 m) :

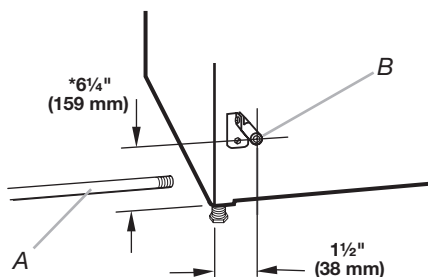
- Lors d'une installation au-dessus de 10 000 pi (3 048 m), une réduction de 4 % du débit thermique (en BTU) indiqué sur la plaque signalétique est nécessaire pour chaque tranche de 1 000 pi (305 m) d'élévation.

Épreuve sous pression de l'alimentation en gaz

- La sècheuse doit être déconnectée du système de canalisations d'alimentation en gaz lors de tout test de pression à des pressions supérieures à 1/2 lb/po².

Canalisation d'arrivée de gaz de la sècheuse

- La canalisation d'arrivée de gaz sortant à l'arrière de la sècheuse est dotée d'un filetage mâle de 3/8".

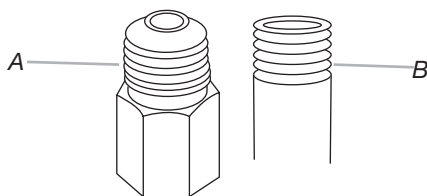


A. Canalisation d'arrivée de gaz NPT de 1/2"
B. Tuyau NPT de la sècheuse de 3/8"

***REMARQUE :** Si la sècheuse est montée sur un piédestal, prévoir 10" (254 mm) ou 15,5" (394 mm) de plus à partir du sol pour la hauteur de la canalisation d'arrivée de gaz, en fonction du modèle de piédestal. Pour une installation dans un garage, prévoir 18" (457 mm) de plus à partir du sol pour la hauteur de la canalisation d'arrivée de gaz.

Raccordement au gaz

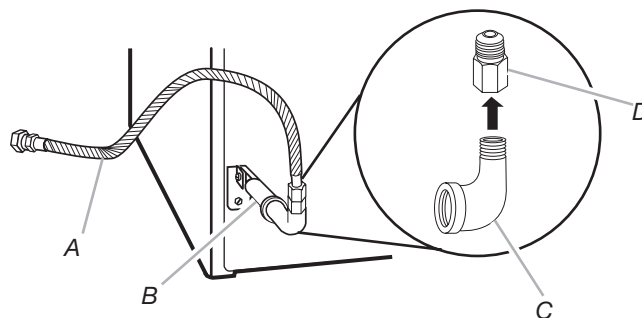
1. Retirer le capuchon rouge de la conduite de gaz.
2. À l'aide d'une clé pour serrer, raccorder l'alimentation en gaz à la sècheuse. Utiliser un composé d'étanchéité des tuyauteries sur tous les filetages mâles non évasés. Si on utilise un conduit métallique souple, veiller à ce qu'il ne soit pas déformé.



A. Filetage mâle évasé
B. Filetage mâle non évasé

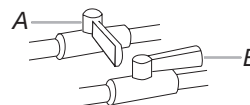
REMARQUE : Pour les raccordements au gaz de pétrole liquéfié, il faut utiliser un composé d'étanchéité des tuyauteries résistant à l'action du gaz de pétrole liquéfié. Ne pas utiliser de ruban TEFLON®†.

On doit utiliser une combinaison de raccords de tuyauterie pour raccorder la sècheuse à l'alimentation en gaz existante. On voit ci-dessous une illustration d'un raccordement recommandé. Le raccordement peut varier, selon le type, la dimension et l'emplacement de l'alimentation.



A. Connecteur à gaz souple de 3/8"
B. Conduit de la sècheuse de 3/8"
C. Coude de conduit de 3/8 à 3/8
D. Adaptateur entre le conduit et le joint conique de 3/8"

3. Ouvrir le robinet d'arrêt du conduit d'alimentation. Le robinet est ouvert lorsque la poignée est parallèle au conduit d'alimentation en gaz.



A. Robinet fermé
B. Robinet ouvert

4. Vérifier tous les raccordements en les badigeonnant d'une solution de détection des fuites non corrosive approuvée. L'apparition de bulles indique une fuite. Réparer toute fuite éventuelle.

Spécifications électriques

⚠ AVERTISSEMENT



Risque de choc électrique

Brancher sur une prise à 3 alvéoles reliée à la terre.

Ne pas enlever la broche de liaison à la terre.

Ne pas utiliser un adaptateur.

Ne pas utiliser un câble de rallonge.

Le non-respect de ces instructions peut causer un décès, un incendie ou un choc électrique.

†TEFLON est une marque déposée de E.I Du Pont De Nemours et Compagnie.

- L'appareil doit être alimenté par un circuit de 120 V, CA seulement, 60 Hz, 15 ou 20 ampères, protégé par un fusible. On recommande l'emploi d'un fusible ou d'un disjoncteur temporisé. Il est recommandé de raccorder l'appareil sur un circuit distinct exclusif à cet appareil.

INSTRUCTIONS DE LIAISON À LA TERRE

- Pour une sècheuse reliée à la terre et connectée par un cordon :

Cette sècheuse doit être reliée à la terre. En cas de mauvais fonctionnement ou de panne, la liaison à la terre réduira le risque de choc électrique en offrant au courant électrique un acheminement d'évacuation de moindre résistance. Cette sècheuse est alimentée par un cordon électrique comportant un conducteur relié à la terre et une fiche de branchement munie d'une broche de liaison à la terre. La fiche doit être branchée sur une prise appropriée qui est bien installée et reliée à la terre conformément à tous les codes et règlements locaux.

AVERTISSEMENT : Le raccordement incorrect de cet appareil au conducteur de liaison à la terre peut susciter un risque de choc électrique. En cas de doute quant à la qualité de liaison à la terre de la sècheuse, consulter un électricien ou un technicien ou un personnel qualifié. Ne pas modifier la fiche de branchement fournie avec la sècheuse; si la fiche ne correspond pas à la configuration de la prise de courant, demander à un électricien qualifié d'installer une prise de courant appropriée.

CONSERVEZ CES INSTRUCTIONS

ÉVACUATION

Exigences concernant l'évacuation

AVERTISSEMENT



Risque d'incendie

- Utiliser un conduit d'évacuation en métal lourd.
- Ne pas utiliser un conduit d'évacuation en plastique.
- Ne pas utiliser un conduit d'évacuation en feuille de métal.
- Le non-respect de ces instructions peut causer un décès ou un incendie.

AVERTISSEMENT : Pour réduire le risque d'incendie, cette sècheuse DOIT ÉVACUER L'AIR À L'EXTÉRIEUR.

IMPORTANT : Observer les dispositions de tous les codes et règlements en vigueur.

Le conduit d'évacuation de la sècheuse ne doit pas être connecté à une évacuation de gaz, une cheminée, un mur, un plafond ou un vide de construction.

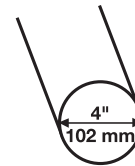
En cas d'utilisation du système d'évacuation existant

- Éliminer la charpie sur toute la longueur du système et veiller à ce que le clapet de décharge ne soit pas obstrué par une accumulation de charpie.
- Remplacer tout conduit de plastique ou de feuille métallique par un conduit de métal lourd rigide ou souple.
- Examiner le tableau du conduit d'évacuation. Apporter les modifications nécessaires au système d'évacuation pour atteindre le meilleur rendement de séchage. Seul un conduit métallique rigide ou souple doit être utilisé pour l'évacuation.

En cas de nouveau système d'évacuation

Matériel pour l'évacuation

- Utiliser un conduit d'évacuation en métal lourd. Ne pas utiliser un conduit de plastique ou en feuille métallique.
- Utiliser un conduit d'évacuation en métal lourd de 4" (102 mm) et des brides de serrage.



Conduit d'évacuation en métal lourd de 4" (102 mm)

Les produits d'évacuation DURASAFE™ peuvent être obtenus chez votre marchand ou en appelant l'assistance Whirlpool. Pour plus de renseignements, consulter la section "Assistance ou service".

Conduit métallique rigide

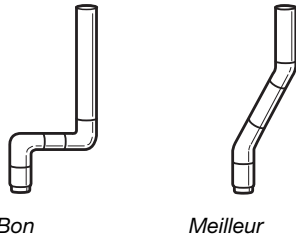
- Pour un meilleur rendement de séchage, on recommande d'utiliser des conduits métalliques rigides.
- On recommande d'utiliser un conduit métallique rigide pour réduire les risques d'écrasement et de déformation.

Conduit métallique souple

- Les conduits métalliques souples sont acceptables seulement dans la mesure où ils sont accessibles en vue du nettoyage.
- Un conduit métallique souple doit être totalement déployé et soutenu lorsque la sècheuse est à sa position finale.
- Enlever tout excès de conduit souple pour éviter tout affaissement ou déformation susceptible de réduire la capacité d'évacuation et le rendement.
- Ne pas installer le conduit métallique flexible dans les cavités fermées des murs, plafonds ou planchers.
- La longueur totale du conduit métallique souple ne doit pas dépasser 7¾ pi (2,4 m).

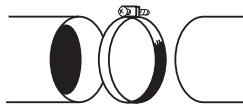
Coudes

Les coudes à 45° permettent une meilleure circulation de l'air que les coudes à 90°.



Brides de serrage

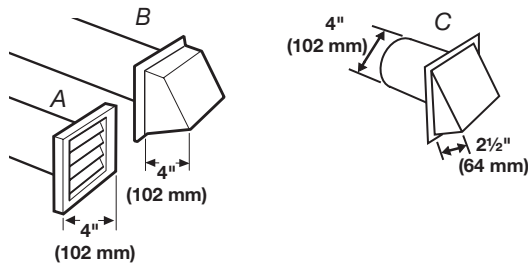
- Utiliser des brides de serrage pour sceller tous les joints.
- Le conduit d'évacuation ne doit pas être connecté ou fixé avec des vis ou avec tout autre dispositif de serrage qui se prolonge à l'intérieur du conduit. Ne pas utiliser de ruban adhésif pour conduit.



Bride de serrage

Évacuation

A et B : Styles de clapets recommandés.
C : Style de clapet acceptable.



A. Style de clapet à persiennes
B. Style de clapet de type boîte
C. Style de clapet incliné

- Terminer le conduit d'évacuation par un clapet de décharge pour empêcher les rongeurs et insectes d'entrer dans l'habitation.
- Le clapet de décharge doit être situé à au moins 12" (305 mm) au-dessus du sol ou de tout autre objet susceptible de se trouver sur le trajet de l'air humide rejeté (par exemple, fleurs, roches ou arbustes, limite de la neige, etc.).
- Ne pas utiliser un clapet d'évacuation à fermeture magnétique.

Une mauvaise évacuation de l'air peut causer de l'humidité et une accumulation de charpie à l'intérieur de la maison, ce qui peut provoquer :

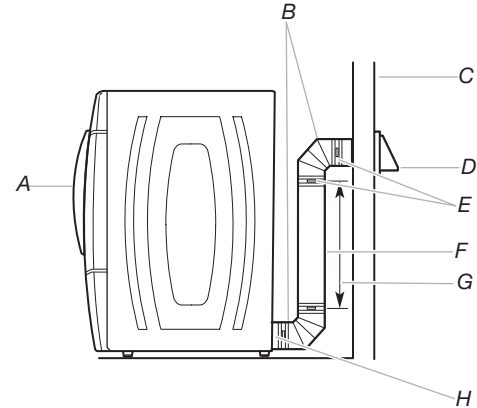
- Dommages par l'humidité aux boiseries, meubles, peinture, papier-peint, tapis, etc.
- Problèmes de nettoyage dans la maison et problèmes de santé.

Planification du système d'évacuation

Choisir un type de système d'évacuation

Installations d'évacuation recommandées

Les installations typiques consistent à acheminer le conduit d'évacuation à l'arrière de la sècheuse. D'autres installations sont possibles.



A. Sècheuse
B. Coude
C. Mur
D. Clapet de décharge
E. Brides de serrage
F. Conduit métallique rigide ou souple
G. Longueur de conduit nécessaire pour raccorder les coudes
H. Bouche de décharge

Installations d'évacuation facultatives

Cette sècheuse peut être convertie pour une évacuation par le côté droit, le côté gauche ou par le bas. Si vous préférez, vous pouvez contacter votre marchand local pour faire convertir la sècheuse.

⚠ AVERTISSEMENT



Risque d'incendie

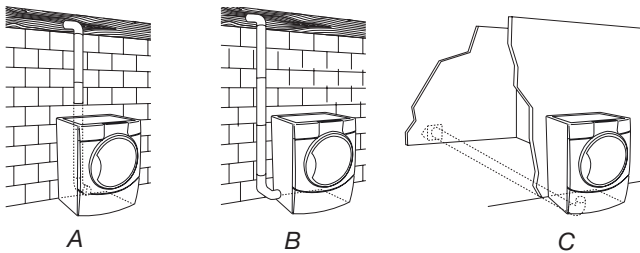
Recouvrir tous les orifices d'évacuation non utilisés avec l'une des troussees suivantes :

279818 (blanche)

W10186596 (gris de minuit)

Contactez votre marchand local.

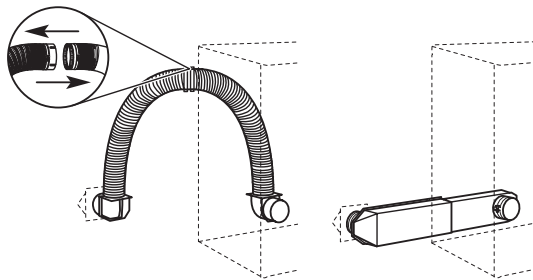
Le non-respect de ces instructions peut causer un décès, un incendie, un choc électrique ou une blessure grave.



A. Installation d'évacuation standard en décalé par l'arrière
 B. Installation d'évacuation par le côté gauche ou droit
 C. Installation d'évacuation par le bas

Autres installations où le dégagement est réduit

Il existe de nombreux systèmes d'évacuation. Choisir le système qui convient le mieux à votre installation. Deux installations à dégagement réduit sont illustrées. Voir les instructions du fabricant.



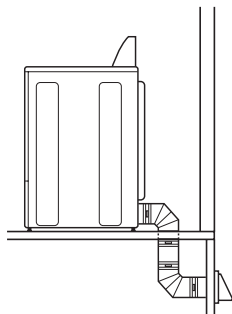
A. Installation au-dessus de la sècheuse (également disponible avec un coude décalé)
 B. Installation avec périscope

REMARQUE : On peut acheter les trousseaux suivants pour les installations où le dégagement est réduit. Voir la section "Assistance ou service" pour commander.

- Installation au-dessus de la sècheuse :
Pièce numéro 4396028
- Installation avec périscope (pour utilisation en cas de non-concordance de la bouche de décharge de la sècheuse avec la bouche d'évacuation murale) :
 Pièce numéro 4396037 - Non-concordance de 0" (0 mm) à 18" (460 mm)
 Pièce numéro 4396011 - Non-concordance de 18" (460 mm) à 29" (737 mm)
 Pièce numéro 4396014 - Non-concordance de 29" (737 mm) à 50" (1270 mm)

Dispositions spéciales pour les installations dans une maison mobile

Le système d'évacuation doit être solidement fixé à une section non combustible de la structure de la maison mobile et ne doit pas se terminer en dessous de la maison mobile. Acheminer le conduit d'évacuation vers l'extérieur.



Déterminer l'itinéraire d'acheminement du conduit

- Choisir l'itinéraire d'acheminement vers l'extérieur qui sera le plus direct et le plus rectiligne.
- Planifier l'installation pour introduire le nombre minimal de coudes et de changements de direction.
- Si des coudes ou changements de direction sont utilisés, prévoir autant d'espace que possible.
- Plier le conduit graduellement pour éviter de le déformer.
- Utiliser le moins possible de changements de direction à 90°.

Déterminer la longueur du conduit et les coudes nécessaires pour la meilleure performance de séchage.

- Utiliser le tableau des systèmes d'évacuation ci-dessous pour déterminer le type de composants et les combinaisons acceptables.

REMARQUE : Ne pas utiliser un conduit de longueur supérieure à la valeur spécifiée dans le tableau des systèmes d'évacuation.

Si la longueur du circuit est supérieure à la valeur spécifiée dans le tableau, on observera :

- Une réduction de la longévité de la sècheuse.
- Une réduction du rendement, avec temps de séchage plus longs et une plus grande consommation d'énergie.

Le tableau des systèmes d'évacuation fournit les exigences d'évacuation qui vous aideront à atteindre la meilleure performance de séchage.

Tableau des systèmes d'évacuation

REMARQUE : Les conduits d'évacuation par le côté et par le bas comportent un changement de direction à 90° à l'intérieur de la sècheuse. Pour déterminer la longueur maximale du conduit, ajouter un changement de direction à 90° de plus dans le tableau.

Nombre de changements de direction à 90° ou coudes	Type de conduit	Clapets de type boîte ou à persiennes	Clapets inclinés
0	Métallique rigide	64 pi (20 m)	58 pi (17,7 m)
1	Métallique rigide	54 pi (16,5 m)	48 pi (14,6 m)
2	Métallique rigide	44 pi (13,4 m)	38 pi (11,6 m)
3	Métallique rigide	35 pi (10,7 m)	29 pi (8,8 m)
4	Métallique rigide	27 pi (8,2 m)	21 pi (6,4 m)

Installation du système d'évacuation

1. Installer le clapet d'évacuation. Utiliser du composé de calfeutrage pour sceller l'ouverture murale à l'extérieur autour du clapet d'évacuation.
2. Raccorder le conduit d'évacuation au clapet. Le conduit doit être inséré à l'intérieur du clapet. Fixer ensemble le conduit et le clapet avec une bride de serrage de 4" (102 mm).

- Acheminer le conduit d'évacuation jusqu'à l'emplacement de la sècheuse. Utiliser l'itinéraire le plus rectiligne possible. Voir "Déterminer l'itinéraire d'acheminement du conduit" dans "Planification du système d'évacuation". Éviter les changements de direction à 90°. Utiliser des brides de serrage pour sceller tous les joints. Ne pas utiliser de ruban adhésif pour conduit, de vis ou d'autres dispositifs de fixation qui se prolongent à l'intérieur du conduit pour fixer celui-ci.

INSTALLATION DES PIEDS DE NIVELLEMENT

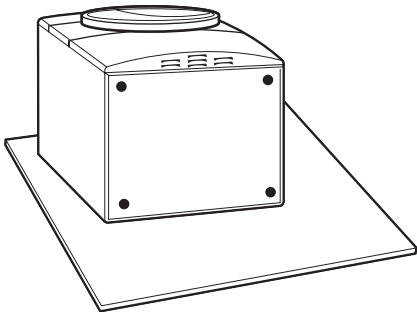
⚠ AVERTISSEMENT

Risque du poids excessif

Utiliser deux ou plus de personnes pour déplacer et installer la sècheuse.

Le non-respect de cette instruction peut causer une blessure au dos ou d'autre blessure.

- Pour éviter d'endommager le plancher, utiliser un grand morceau de carton provenant du carton de la sècheuse. Placer le morceau de carton sous toute la longueur du bord arrière de la sècheuse.
- Saisir fermement la sècheuse par la caisse (ni par le dessus ni par le panneau de commande). Déposer délicatement la sècheuse sur le carton.



- Examiner les pieds de nivellement. Trouver le symbole de repérage (losange).



- Engager manuellement les pieds dans les trous prévus à cet effet. Utiliser une clé à molette pour visser les pieds jusqu'à ce que le symbole de repérage (losange) ne soit plus visible.
- Placer une cornière en carton sous chacun des deux coins arrière de la sècheuse. Placer la sècheuse debout. Glisser la sècheuse sur les cornières jusqu'à ce que l'appareil soit proche de son emplacement final. Laisser assez d'espace pour connecter le conduit d'évacuation.

RACCORDEMENT DU CONDUIT D'ÉVACUATION

- À l'aide d'une bride de serrage de 4" (102 mm), relier le conduit d'évacuation à la bouche d'évacuation de la sècheuse. Si on utilise un système d'évacuation existant, s'assurer qu'il est propre. Le conduit d'évacuation de la sècheuse doit être fixé sur la bouche d'évacuation de la sècheuse et dans le clapet d'évacuation. S'assurer que le conduit d'évacuation est fixé au clapet d'évacuation à l'aide d'une bride de serrage de 4" (102 mm).
- Placer la sècheuse à son emplacement final. Ne pas écraser ni déformer le conduit d'évacuation.
- (Sur les modèles à gaz) Vérifier l'absence de déformation de la canalisation de gaz souple.
- Une fois que le conduit d'évacuation est raccordé, retirer les cornières et le carton.

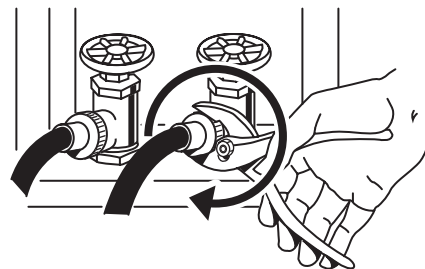
RACCORDEMENT DES TUYAUX D'ALIMENTATION (MODÈLES À VAPEUR)

La sècheuse doit être connectée au robinet d'eau froide à l'aide des nouveaux tuyaux d'alimentation. Ne pas utiliser de tuyaux usagés.

- Arrêter le robinet d'eau froide et retirer le tuyau d'alimentation de la laveuse.
- Retirer l'ancienne rondelle de caoutchouc du tuyau d'alimentation et la remplacer par la nouvelle rondelle fournie. Si l'espace le permet, fixer l'embout femelle du connecteur en Y au robinet d'eau froide.

REMARQUE : Si le connecteur en Y peut être fixé directement au robinet d'eau froide, passer à l'étape 6. Si le connecteur en Y ne peut être fixé directement au robinet d'eau froide, il faut utiliser le tuyau d'alimentation court. Passer à l'étape 3.

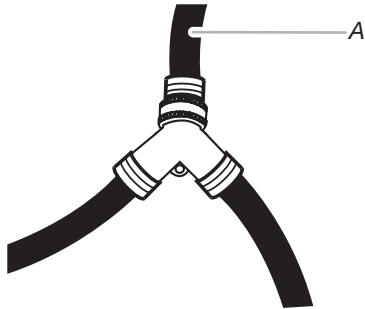
- Fixer un tuyau court au robinet d'eau froide. Visser complètement le raccord à la main pour qu'il soit scellé au robinet.
- À l'aide d'une pince, serrer les raccords en effectuant deux tiers de tour supplémentaires.



REMARQUE : Ne pas serrer excessivement. Le raccord risque d'être endommagé.

- Fixer le connecteur en Y à l'embout mâle du tuyau court. Visser complètement le raccord à la main pour qu'il soit scellé au connecteur en Y.
- L'un des extrémités du tuyau long comporte un treillis métallique à l'intérieur du raccord. Fixer cette extrémité au connecteur en "Y".

7. Fixer le tuyau d'alimentation en eau froide de la laveuse à l'autre extrémité du connecteur en Y. Visser le raccord à la main jusqu'à ce qu'il soit fixé au connecteur en Y.

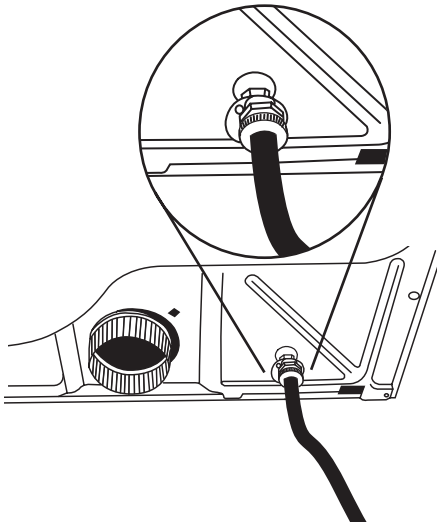


A. Orifice d'entrée d'eau froide

8. Terminer le serrage des raccords - deux tiers de tour supplémentaires avec une pince.

REMARQUE : Ne pas serrer excessivement. Le raccord risque d'être endommagé.

9. Fixer l'autre extrémité du long tuyau à l'électrovanne située au bas du panneau arrière de la sécheuse. Visser le raccord à la main jusqu'à ce qu'il repose sur le connecteur de l'électrovanne.



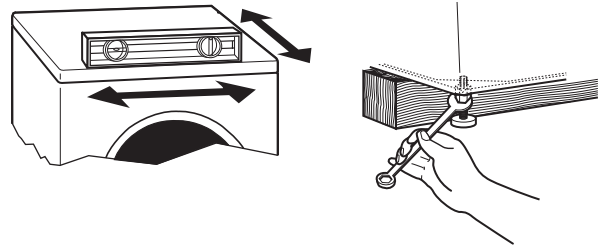
10. Terminer le serrage des raccords - deux tiers de tour supplémentaires avec une pince.

REMARQUE : Ne pas serrer excessivement. Le raccord risque d'être endommagé.

11. Vérifier que les robinets d'eau sont ouverts.
12. Vérifier s'il y a des fuites autour du connecteur en Y, du robinet et des tuyaux d'alimentation.

RÉGLAGE DE L'APLOMB DE LA SÉCHEUSE

Contrôler l'aplomb de la sécheuse. Contrôler l'aplomb tout d'abord transversalement, puis dans le sens avant/arrière.



Si la sécheuse n'est pas d'aplomb, la relever à l'aide d'un bloc de bois. Utiliser une clé pour ajuster les pieds vers le haut ou vers le bas, et vérifier à nouveau si elle est d'aplomb.

ACHEVER L'INSTALLATION

- Vérifier que toutes les pièces sont maintenant installées. S'il reste une pièce, passer en revue les différentes étapes pour découvrir laquelle aurait été oubliée.
- Vérifier la présence de tous les outils.
- Jeter ou recycler tous les matériaux d'emballage.
- Vérifier l'emplacement définitif de la sécheuse. S'assurer que le conduit d'évacuation n'est pas écrasé ou pincé.
- Vérifier que la sécheuse est d'aplomb. Voir "Réglage de l'aplomb de la sécheuse".
- Retirer la pellicule bleue sur la console ou tout ruban adhésif resté sur la sécheuse.
- Essuyer soigneusement l'intérieur du tambour de la sécheuse avec un chiffon humide pour éliminer toute trace de poussière.
- Lire "Utilisation de la sécheuse".

Modèles électriques uniquement :

9. Pour l'installation avec cordon d'alimentation, brancher sur une prise reliée à la terre.

Modèles à gaz uniquement :

10. Vérifier que l'alimentation en gaz est ouverte.
11. Vérifier l'absence de fuites.

Modèles à vapeur uniquement :

12. Vérifier que les robinets d'eau sont ouverts.
13. Vérifier s'il y a des fuites autour du connecteur en "Y", du robinet et des tuyaux d'alimentation.
14. Si vous habitez dans une région où l'eau est dure, il est recommandé d'utiliser un adoucisseur d'eau afin de contrôler les accumulations de calcaire dans la sécheuse. Après un certain temps, les accumulations de calcaire peuvent obstruer différentes parties du système d'eau, ce qui réduira la performance du produit. Des accumulations excessives de calcaire peuvent engendrer la nécessité de remplacer des pièces ou de réparer la sécheuse.

Tous les modèles :

15. Sélectionner un programme minuté avec séchage à chaud et mettre la sécheuse en marche. Ne pas sélectionner le réglage Air Only (air seulement).

Si la sécheuse ne démarre pas, vérifier ce qui suit :

- Les commandes sont réglées à la position de marche ou "On".

- La bouton Start (mise en marche) a été enfoncé fermement.
- La sècheuse est branchée dans une prise à 3 alvéoles reliée à la terre et/ou l'alimentation électrique est connectée.
- Les fusibles du domicile sont intacts et serrés; le disjoncteur n'est pas déclenché.
- La porte de la sècheuse est fermée.

Cette sècheuse exécute automatiquement une routine de diagnostic d'installation au début de son premier programme.

Si vous recevez un code d'erreur "L2", il peut y avoir un problème d'alimentation électrique qui empêche le système de chauffage de la sècheuse de démarrer. Voir la section "Dépannage".

16. Lorsque la sècheuse fonctionne depuis 5 minutes, ouvrir la porte et voir si l'on sent de la chaleur. Si c'est le cas, annuler le programme et fermer la porte.

Si l'on ne sent pas de chaleur, éteindre la sècheuse et vérifier ce qui suit :

- Il peut y avoir 2 fusibles ou disjoncteurs pour la sècheuse. Vérifier que les deux fusibles sont intacts et bien serrés, ou que les disjoncteurs n'ont pas sauté. S'il n'y a toujours pas de chaleur, contacter un électricien qualifié.

REMARQUE : Il est possible que la sècheuse dégage une odeur lors du chauffage initial. Cette odeur est normale lorsque l'élément chauffant est utilisé pour la première fois. L'odeur disparaîtra.

DÉPANNAGE

Essayer d'abord les solutions suggérées ici, ce qui vous évitera peut-être le coût d'une visite de service...

Fonctionnement de la sècheuse

Le sècheuse ne fonctionne pas

- **Un fusible est-il grillé ou un disjoncteur s'est-il déclenché?**
Remplacer le fusible ou réenclencher le disjoncteur. Il peut y avoir 2 fusibles ou disjoncteurs pour la sècheuse électrique. Vérifier que les deux fusibles sont intacts et serrés ou que les deux disjoncteurs ne se sont pas déclenchés. Si le problème persiste, appeler un électricien. Remplacer le fusible ou réenclencher le disjoncteur.
- **Une alimentation électrique correcte est-elle disponible?**
Les sècheuses électriques nécessitent une alimentation électrique de 240 V. Vérifier avec un électricien qualifié.
- **A-t-on utilisé un fusible ordinaire?**
Utiliser un fusible temporisé.

Absence de chaleur

- **Un fusible est-il grillé ou un disjoncteur s'est-il déclenché?**
Le tambour peut tourner, mais sans chaleur. Les sècheuses électriques utilisent 2 fusibles ou disjoncteurs. Remplacer le fusible ou réenclencher le disjoncteur. Si le problème persiste, appeler un électricien.

La sècheuse affiche un message codé

- **"PF" (panne de courant), vérifier ce qui suit :**
Le programme de séchage a-t-il été interrompu par une panne de courant? Appuyer sans relâcher sur START/PAUSE (mise en marche/pause) pour remettre la sècheuse en marche.
- **Code de diagnostic "L2" (tension électrique faible ou inexistante) :**
Le tambour tourne mais il y a peut-être un problème au niveau de l'alimentation électrique du domicile empêchant l'élément chauffant de la sècheuse de se mettre en marche. La sècheuse continue de fonctionner en présence du code de diagnostic. Appuyer sur n'importe quelle touche pour effacer le code de l'afficheur et revenir à la durée restante estimée.

Essayer de résoudre le problème de la façon suivante :

Vérifier si un fusible est grillé ou si un disjoncteur s'est déclenché. Les sècheuses électriques utilisent deux fusibles ou disjoncteurs. Remplacer le fusible ou réenclencher le disjoncteur.

Vérifier que le cordon d'alimentation électrique est bien installé. Consulter "Raccordement électrique" pour en savoir plus.

Sélectionner un programme de séchage minuté avec chaleur et remettre la sècheuse en marche.

Si le message reste affiché, consulter un électricien qualifié.

- **"AF" (faible flux d'air) :**

La sècheuse continue de fonctionner en présence du code de diagnostic. Appuyer sur n'importe quelle touche pour effacer le code de l'afficheur et revenir à la durée restante estimée.

Essayer de résoudre le problème de la façon suivante :

- Nettoyer le filtre à charpie.
- Vérifier que le conduit entre la sècheuse et le mur n'est pas écrasé ou pincé.
- Vérifier que le conduit entre la sècheuse et le mur est exempt de charpie ou de débris.
- Vérifier que le clapet d'évacuation extérieur est exempt de charpie ou de débris.
- Vérifier que le système d'évacuation est adapté à la longueur et au nombre de coudes recommandés pour le type de conduit utilisé. Consulter la section "Planification du système d'évacuation" pour des détails.
- Sélectionner un programme de séchage minuté avec chaleur et remettre la sècheuse en marche.
- Si le message reste affiché, faites nettoyer l'ensemble du système de ventilation de votre domicile.
- **Codes de service variables "E" (E1, E2, E3) :**
Faire un appel de service.

Résultats de la sècheuse

Le séchage des vêtements n'est pas satisfaisant, les durées de séchage sont trop longues ou la charge est trop chaude

- **Le filtre à charpie est-il obstrué de charpie?**
Le filtre à charpie doit être nettoyé avant chaque charge.

AVERTISSEMENT



Risque d'incendie

Utiliser un conduit d'évacuation en métal lourd.
Ne pas utiliser un conduit d'évacuation en plastique.
Ne pas utiliser un conduit d'évacuation en feuille de métal.
Le non-respect de ces instructions peut causer un décès ou un incendie.

- **Le conduit d'évacuation ou le clapet d'évacuation à l'extérieur est-il obstrué de charpie, restreignant le mouvement de l'air?**
Faire fonctionner la sècheuse pendant 5 à 10 minutes. Tenir la main sous le clapet d'évacuation à l'extérieur pour vérifier le mouvement de l'air. Si vous ne ressentez pas de l'air en mouvement, nettoyer le système d'évacuation ou remplacer le conduit d'évacuation par un conduit en métal lourd ou flexible. Voir "Instructions d'installation".
- **Des feuilles d'assouplissant de tissu bloquent-elles la grille de sortie?**
Utiliser une seule feuille d'assouplissant par charge et l'utiliser une seule fois.
- **Le conduit d'évacuation a-t-il la longueur appropriée?**
Vérifier que le conduit d'évacuation n'est pas trop long ou ne comporte pas trop de changements de direction. Un long conduit augmentera les durées de séchage. Voir "Instructions d'installation".
- **Le diamètre du conduit d'évacuation a-t-il la taille correcte?**
Utiliser un composant de 4" (102 mm) de diamètre.

- **La sècheuse est-elle installée dans une pièce où la température est inférieure à 45° F (7° C)?**
Un bon fonctionnement des programmes de la sècheuse exige des températures supérieures à 45° F (7° C).

AVERTISSEMENT



Risque d'explosion

Garder les matières et les vapeurs inflammables, telle que l'essence, loin de la sècheuse.

Placer la sècheuse au moins 460 mm (18 po) au-dessus du plancher pour une installation dans un garage.

Le non-respect de ces instructions peut causer un décès, une explosion ou un incendie.

La sècheuse est-elle installée dans un placard?

Les portes du placard doivent comporter des ouvertures d'aération au sommet et en bas de la porte. Un espace minimum de 1" (25 mm) est nécessaire à l'avant de la sècheuse, et pour la plupart des installations, un espacement minimum de 5" (127 mm) est nécessaire à l'arrière de la sècheuse. Voir "Instructions d'installation".

W10255469B
W10259188B - SP

© 2009 Whirlpool Corporation.
All rights reserved.
Tous droits réservés.

4/09
Printed in U.S.A.
Imprimé aux É.-U.