

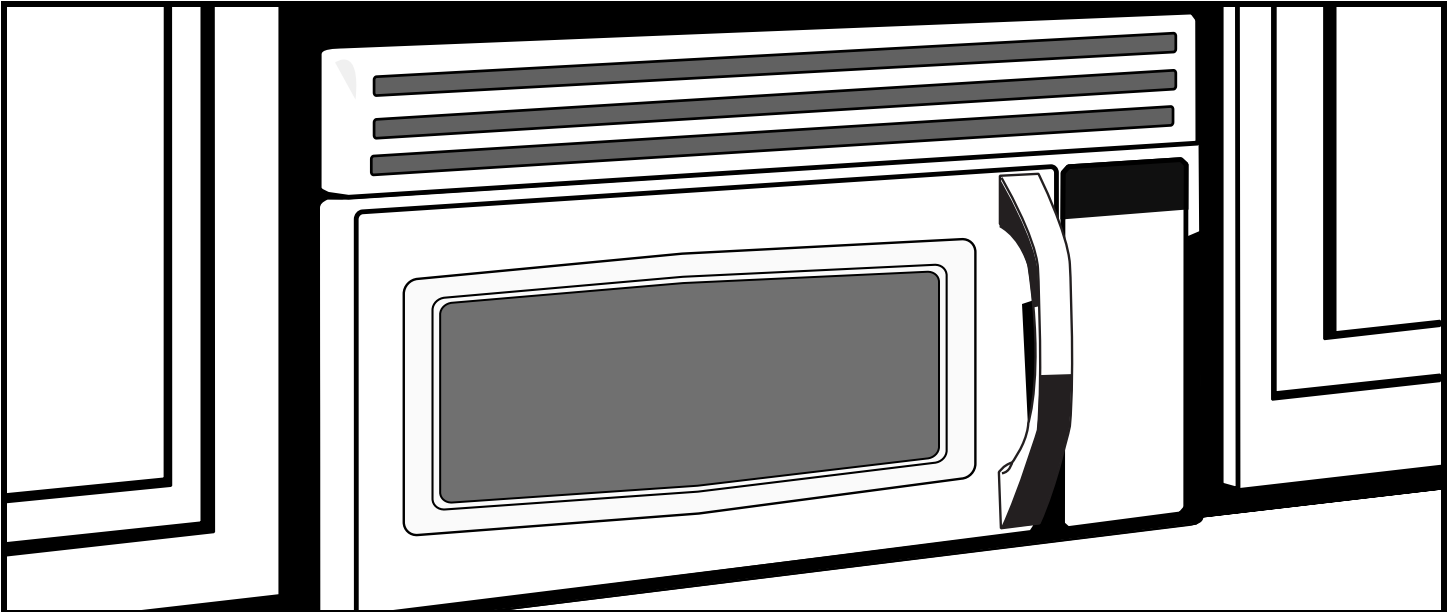
Installation Instructions

Over the Range Microwave Oven

BEFORE YOU BEGIN

Read these instructions completely and carefully.

- **IMPORTANT** – Save these instructions for local inspector's use.
- **IMPORTANT** – Observe all governing codes and ordinances.
- **Note to Installer** – Be sure to leave these instructions with the Consumer.
- **Note to Consumer** – Keep these instructions for future reference.
- **Skill level** – Installation of this appliance requires basic mechanical and electrical skills.
- Proper installation is the responsibility of the installer.
- Product failure due to improper installation is not covered under the Warranty.



READ CAREFULLY. KEEP THESE INSTRUCTIONS.

CONTENTS

General information

Important Safety Instructions	3
Electrical Requirements	3
Hood Exhaust	4, 5
Damage – Shipment/Installation	6
Parts Included.....	6
Tools You Will Need	7
Mounting Space.....	7

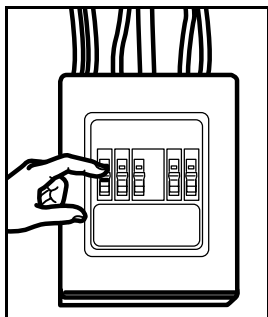
Step-by-step installation guide

Placement of Mounting Plate	8–10
Removing the Mounting Plate	8
Finding the Wall Studs	8
Determining Wall Plate Location	9
Aligning the Wall Plate	10
Installation Types	11–21
A Recirculating	12–13
Attach Mounting Plate to Wall	12
Preparation of Top Cabinet	12
Mount the Microwave Oven.....	13
B Outside Top Exhaust	14–17
Attach Mounting Plate to Wall	14
Preparation of Top Cabinet	15
Adjust Blower	15
Check Damper Operation.....	16
Mount Microwave Oven.....	16
Adjust Exhaust Adaptor.....	17
Connecting Ductwork	17

C Outside Back Exhaust.....	18–21
Preparing Rear Wall	18
Attach Mounting Plate to Wall	18, 19
Preparation of Top Cabinet	19
Adjust Blower	19, 20
Mount the Microwave Oven.....	20, 21
Before You Use Your Microwave	22

IMPORTANT SAFETY INSTRUCTIONS

This product requires a three-prong grounded outlet. The installer must perform a ground continuity check on the power outlet box before beginning the installation to insure that the outlet box is properly grounded. If not properly grounded, or if the outlet box does not meet electrical requirements noted (under ELECTRICAL REQUIREMENTS), a qualified electrician should be employed to correct any deficiencies.



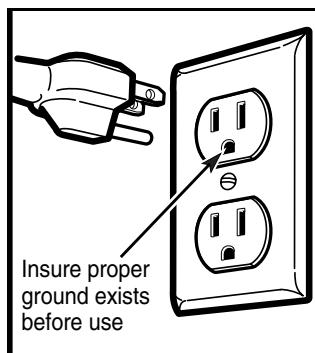
CAUTION: For personal safety, remove house fuse or open circuit breaker before beginning installation to avoid severe or fatal shock injury.

CAUTION: For personal safety, the mounting surface must be capable of supporting the cabinet load, in addition to the added weight of this 59 pound product, plus additional oven loads of up to 50 pounds or a total weight of 109 pounds.

CAUTION: For personal safety, this product cannot be installed in cabinet arrangements such as an island or a peninsula. It must be mounted to BOTH a top cabinet AND a wall.

NOTE: For easier installation and personal safety, it is recommended that two people install this product.

IMPORTANT—PLEASE READ CAREFULLY. FOR PERSONAL SAFETY, THIS APPLIANCE MUST BE PROPERLY GROUNDED TO AVOID SEVERE OR FATAL SHOCK.



The power cord of this appliance is equipped with a three-prong (grounding) plug which mates with a standard three-prong (grounding) wall receptacle to minimize the possibility of electric shock hazard from this appliance.

You should have the wall receptacle and circuit checked by a qualified electrician to make sure the receptacle is properly grounded.

Where a standard two-prong wall receptacle is encountered, it is very important to have it replaced with a properly grounded three-prong wall receptacle, installed by a qualified electrician.

DO NOT, UNDER ANY CIRCUMSTANCES, CUT, DEFORM OR REMOVE ANY OF THE PRONGS FROM THE POWER CORD. DO NOT USE WITH AN EXTENSION CORD.

ELECTRICAL REQUIREMENTS

Product rating is 120 volts AC, 60 Hertz,

-MMV4205, AMV5206, MMV5207, JMV8208 (USA):
14.8 amps and 1.7 kilowatts.

-MMV5207, JMV8208 (CANADA) / AMV6167:
13 amps and 1.5 kilowatts.

-JMV8166/JMV9169:
14.5 amps and 1.6 kilowatts.

This product must be connected to a supply circuit of the proper voltage and frequency. Wire size must conform to the requirements of the National Electrical Code or the prevailing local code for this kilowatt rating. The power supply cord and plug should be brought to a separate 20 ampere branch circuit single grounded outlet. The outlet box should be located in the cabinet above the microwave oven. The outlet box and supply circuit should be installed by a qualified electrician and conform to the National Electrical Code or the prevailing local code.

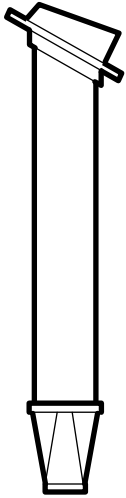
Installation Instructions




HOOD EXHAUST

NOTE: Read these next two pages only if you plan to vent your exhaust to the outside. If you plan to recirculate the air back into the room, proceed to page 11.

OUTSIDE TOP EXHAUST (EXAMPLE ONLY)

The following chart describes an example of one possible ductwork installation.

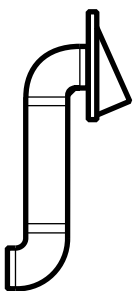


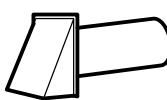


DUCT PIECES		EQUIVALENT LENGTH	x	NUMBER USED	=	EQUIVALENT LENGTH
	Roof Cap	24 Ft.	x	(1)	=	24 Ft.
	12 Ft. Straight Duct (6" Round)	12 Ft.	x	(1)	=	12 Ft.
	Rectangular-to-Round Transition Adaptor*	5 Ft.	x	(1)	=	5 Ft.
Equivalent lengths of duct pieces are based on actual tests and reflect requirements for good venting performance with any vent hood.						Total Length = 41 Ft.

* **IMPORTANT:** If a rectangular-to-round transition adaptor is used, the bottom corners of the damper will have to be cut to fit, using the tin snips, in order to allow free movement of the damper.

OUTSIDE BACK EXHAUST (EXAMPLE ONLY)

The following chart describes an example of one possible ductwork installation.



DUCT PIECES		EQUIVALENT LENGTH*	x	NUMBER USED	=	EQUIVALENT LENGTH
	Roof Cap	40 Ft.	x	(1)	=	40 Ft.
	3 Ft. Straight Duct (3¼" x 10" Rectangular)	3 Ft.	x	(1)	=	3 Ft.
	90° Elbow	10 Ft.	x	(2)	=	20 Ft.
Equivalent lengths of duct pieces are based on actual tests and reflect requirements for good venting performance with any vent hood.						Total Length = 63 Ft.

NOTE: For back exhaust, care should be taken to align exhaust with space between studs, or wall should be prepared at the time it is constructed by leaving enough space between the wall studs to accommodate exhaust.

Installation Instructions

NOTE: If you need to install ducts, note that the total duct length of 3¼" x 10" rectangular or 6" diameter round duct should not exceed 140 equivalent feet.

Outside ventilation requires a HOOD EXHAUST DUCT. Read the following carefully.

NOTE: It is important that venting be installed using the most direct route and with as few elbows as possible. This ensures clear venting of exhaust and helps prevent blockages. **Also, make sure dampers swing freely and nothing is blocking the ducts.**

Exhaust connection:

The hood exhaust has been designed to mate with a standard 3¼" x 10" rectangular duct.





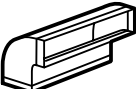
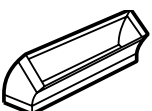
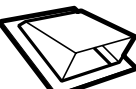

If a round duct is required, a rectangular-to-round transition adaptor must be used. **Do not use less than a 6" diameter duct.**

Maximum duct length:

For satisfactory air movement, the total duct length of 3¼" x 10" rectangular or 6" diameter round duct should not exceed 140 equivalent feet.

Elbows, transitions, wall and roof caps, etc.,

present additional resistance to airflow and are equivalent to a section of straight duct which is longer than their actual physical size. When calculating the total duct length, add the equivalent lengths of all transitions and adaptors plus the length of all straight duct sections. The chart below shows you how to calculate total equivalent ductwork length using the approximate feet of equivalent length of some typical ducts.

DUCT PIECES		EQUIVALENT LENGTH	x	NUMBER USED	=	EQUIVALENT LENGTH
	Rectangular-to-Round Transition Adaptor*	5 Ft.	x	()	=	Ft.
	Wall Cap	40 Ft.	x	()	=	Ft.
	90° Elbow	10 Ft.	x	()	=	Ft.
	45° Elbow	5 Ft.	x	()	=	Ft.
	90° Elbow	25 Ft.	x	()	=	Ft.
	45° Elbow	5 Ft.	x	()	=	Ft.
	Roof Cap	24 Ft.	x	()	=	Ft.
	Straight Duct 6" Round or 3¼" x 10" Rectangular	1 Ft.	x	()	=	Ft.
Total Ductwork					=	Ft.



* **IMPORTANT:** If a rectangular-to-round transition adaptor is used, the bottom corners of the damper will have to be cut to fit, using the tin

snips, in order to allow free movement of the damper. Equivalent lengths of duct pieces are based on actual tests and reflect requirements for good venting performance with any vent hood.


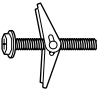


Installation Instructions

DAMAGE – SHIPMENT/ INSTALLATION

- **If the unit is damaged in shipment**, return the unit to the store in which it was bought for repair or replacement.
- **If the unit is damaged by the customer**, repair or replacement is the responsibility of the customer.
- **If the unit is damaged by the installer** (if other than the customer), repair or replacement must be made by arrangement between customer and installer.

PARTS INCLUDED




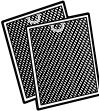
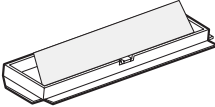
HARDWARE PACKET

PART		QUANTITY
	Wood Screws (1/4" x 2")	1
	Toggle Bolts (and wing nuts) (3/16" x 3")	3
	Self-aligning Machine Screws (1/4"-28 x 3/4")	3
	Nylon Grommet (for metal cabinets)	2

You will find the installation hardware contained in a packet with the unit. Check to make sure you have all these parts.

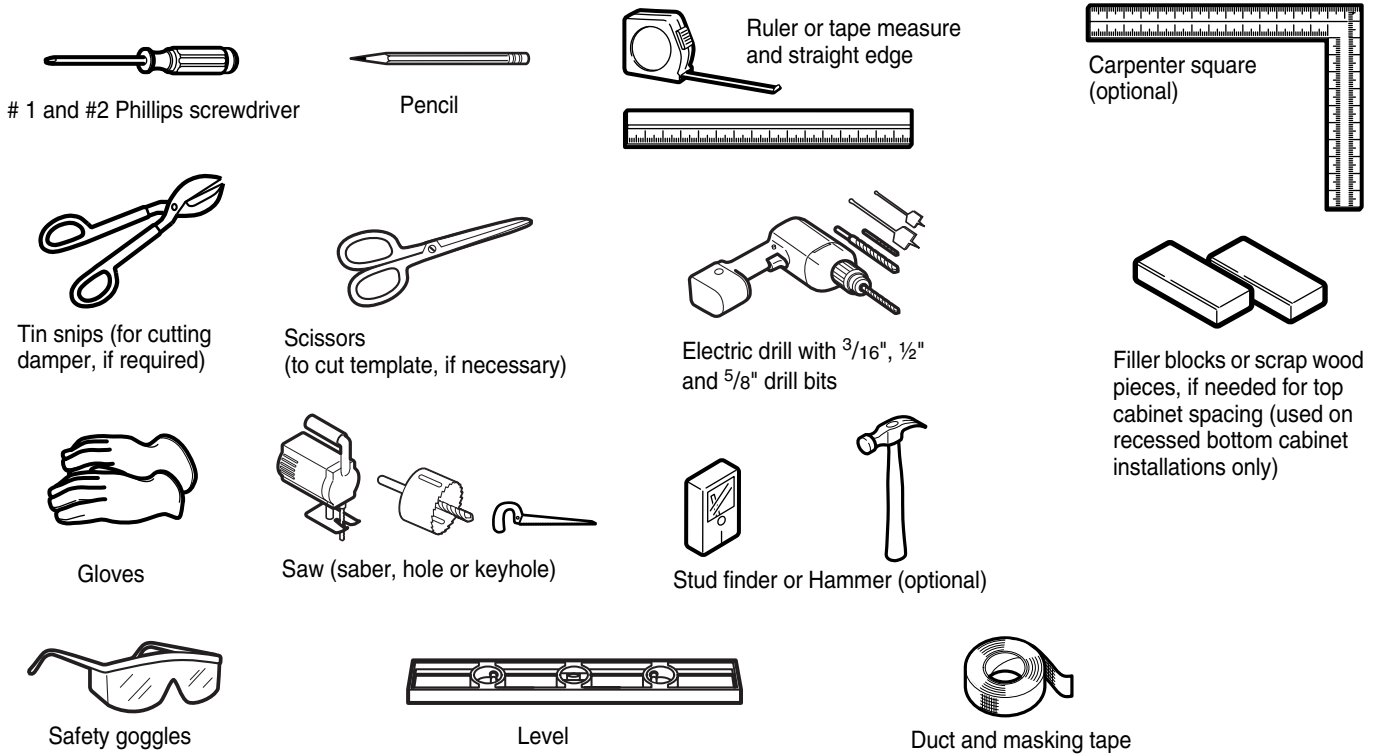
NOTE: Some extra parts are included.

ADDITIONAL PARTS

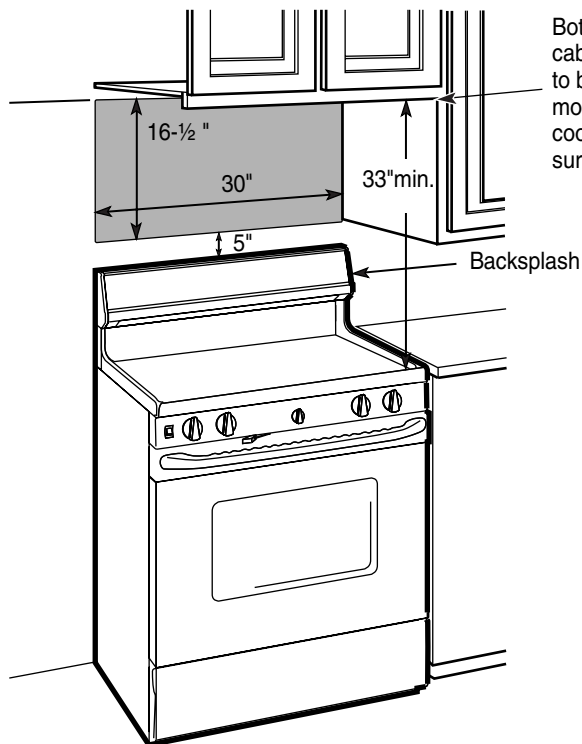
PART		QUANTITY
	TOP CABINET TEMPLATE Top Cabinet Template	1
	REAR WALL TEMPLATE Rear Wall Template	1
	Installation Instructions	1
	Separately Packed Grease Filters	2
	Exhaust adaptor	1

Installation Instructions

TOOLS YOU WILL NEED



MOUNTING SPACE



Bottom edge of cabinet needs to be 33" or more from the cooking surface

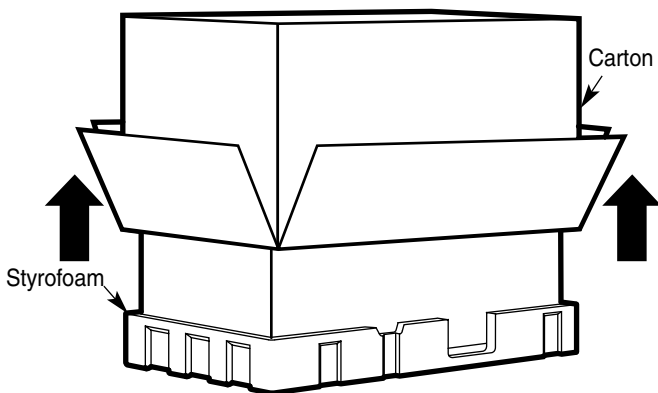
NOTES:

- The space between the cabinets must be 30" wide and free of obstructions.
- This microwave oven is for installation over ranges up to 33" wide.
- If you are going to vent your microwave oven to the outside, see Hood Exhaust Section for exhaust duct preparation.
- **When installing the microwave oven beneath smooth flat cabinets be careful to follow the instructions on the top cabinet template for power cord clearance.**

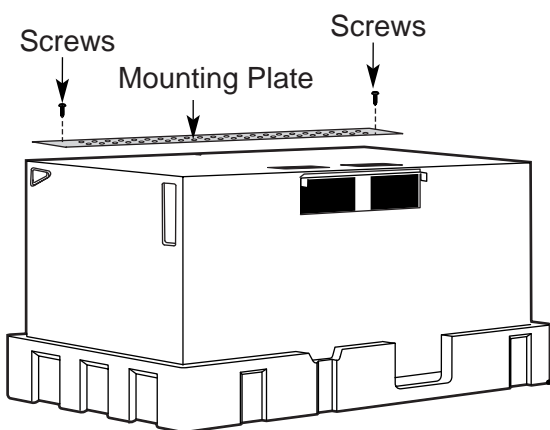
1. PLACEMENT OF THE MOUNTING PLATE

A. REMOVING THE MICROWAVE OVEN FROM THE CARTON/ REMOVING THE MOUNTING PLATE

1. Remove the installation instructions, Exhaust adaptor, filters, glass tray and the small hardware bag. Do not remove the Styrofoam protecting the front of the oven.
2. Fold back all 4 carton flaps fully against carton sides. Then carefully roll the oven and carton over onto the top side. The oven should be resting in the Styrofoam.



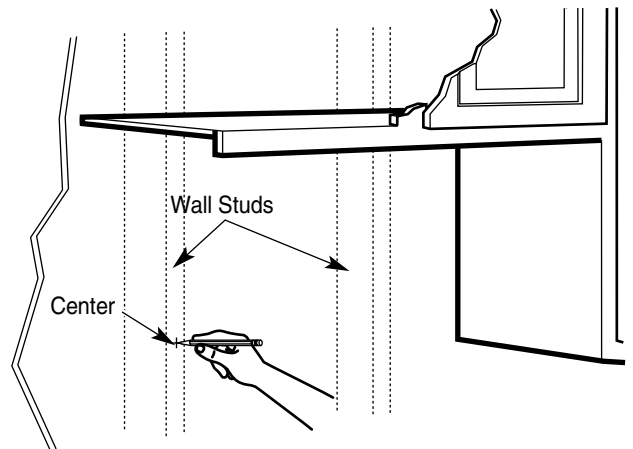
3. Pull the carton up and off the oven.
4. Remove and properly discard plastic bags.



5. Remove the 2 screws from the mounting plate. This plate will be used as the rear wall template and for mounting.

NOTE: You will have to reuse two screws in original location of outcase after removing mounting plate.

B. FINDING THE WALL STUDS



1. Find the studs, using one of the following methods:
 - A. Stud finder—a magnetic device which locates nails.

OR

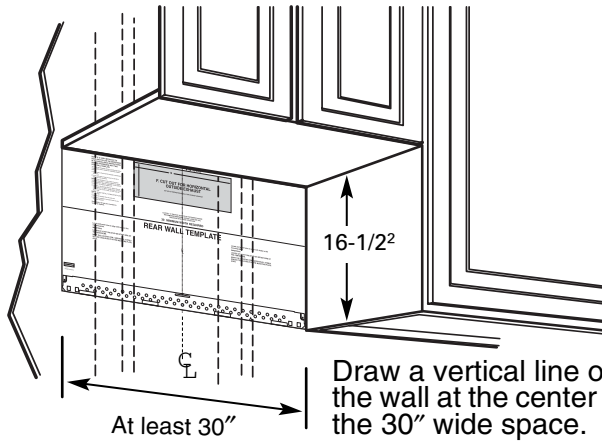
 - B. Use a hammer to tap lightly across the mounting surface to find a solid sound. This will indicate a stud location.
2. After locating the stud(s), find the center by probing the wall with a small nail to find the edges of the stud. Then place a mark halfway between the edges. The center of any adjacent studs should be 16" or 24" from this mark.
3. Draw a line down the center of the studs.

THE MICROWAVE MUST BE CONNECTED TO AT LEAST ONE WALL STUD.

Installation Instructions

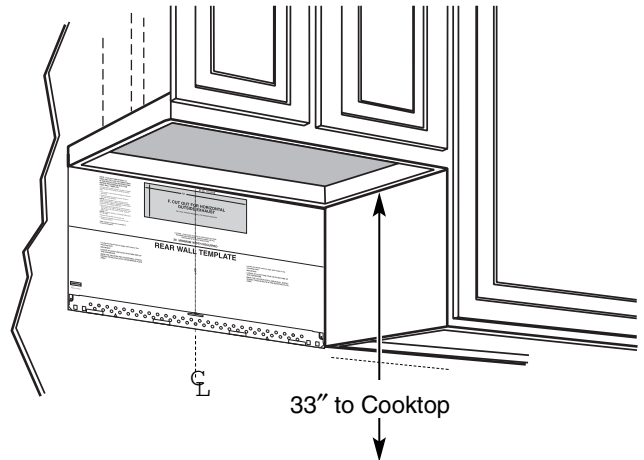
C. DETERMINING WALL PLATE LOCATION UNDER YOUR CABINET

Plate position – beneath flat bottom cabinet



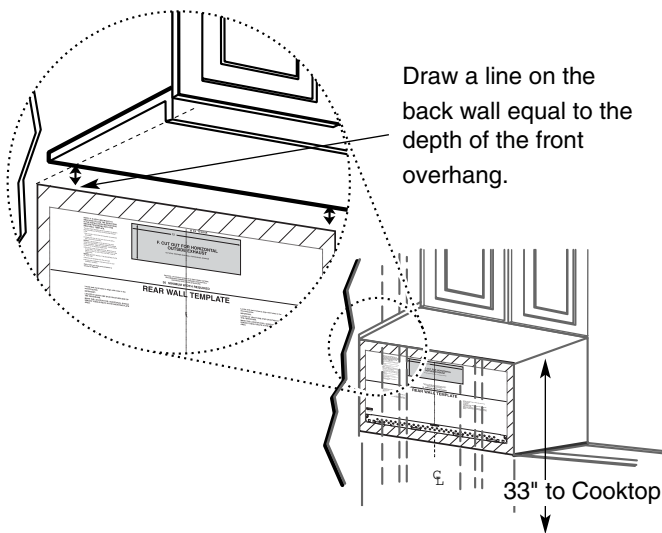
Draw a vertical line on the wall at the center of the 30" wide space. Tape the Rear Wall Template onto the wall matching the centerline and touching the bottom of the cabinet.

Plate position – beneath framed recessed cabinet bottom



Draw a vertical line on the wall at the center of the 30" space. Tape the Rear Wall Template onto the wall matching the centerline and touching the bottom cabinet frame.

Plate position – beneath recessed bottom cabinet with front overhang



Draw a line on the back wall equal to the depth of the front overhang.

Your cabinets may have decorative trim that interferes with the microwave installation. Remove the decorative trim to install the microwave properly and to make it level.

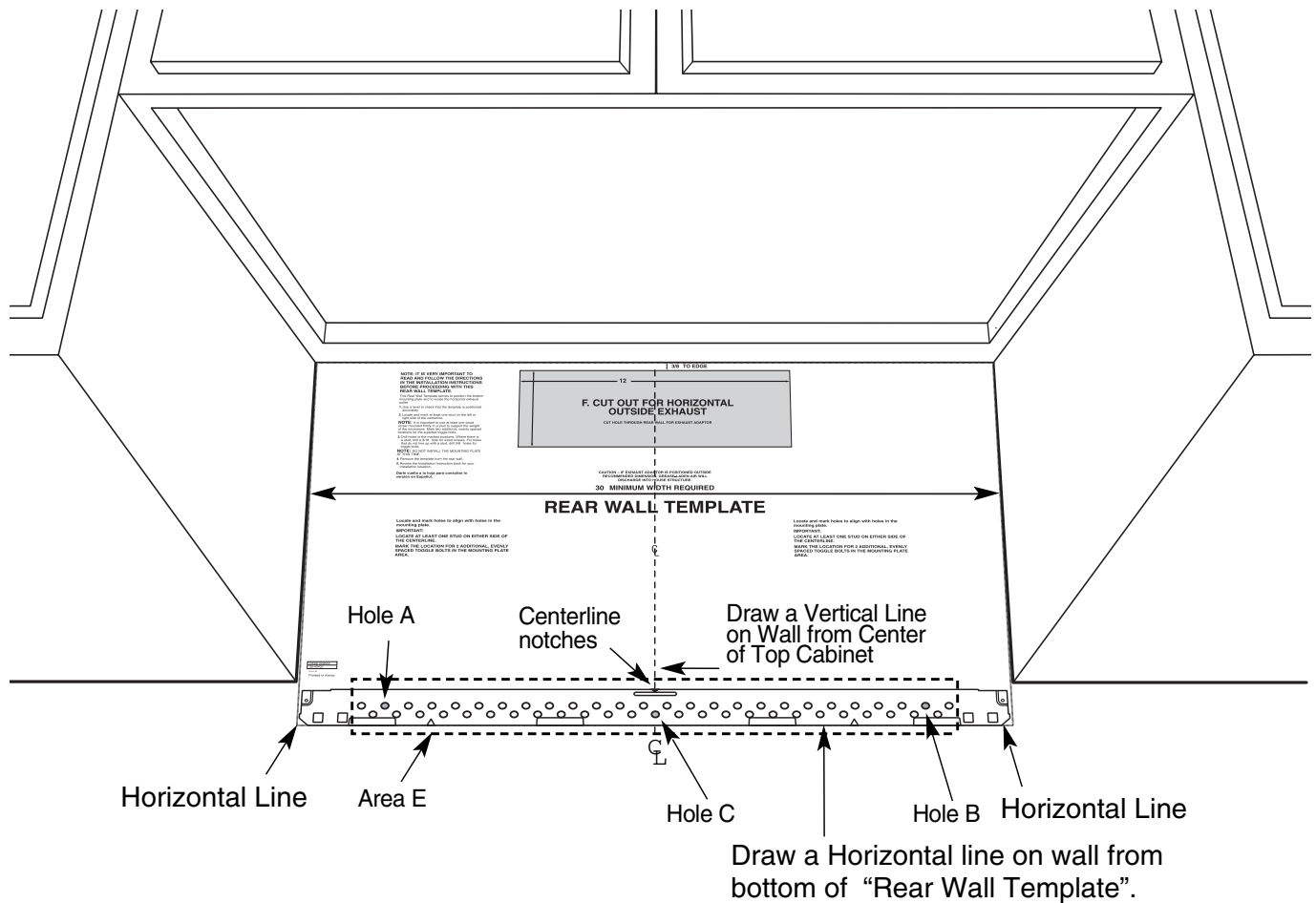
THE MICROWAVE MUST BE LEVEL.

Use a level to make sure the cabinet bottom is level. If the cabinets have a front overhang only, with no back or side frame, install the mounting plate down the same distance as the front overhang depth. This will keep the microwave level.

1. Measure the inside depth of the front overhang.
2. Draw a horizontal line on the back wall an equal distance below the cabinet bottom as the inside depth of the front overhang.
3. For this type of installation with front overhang only, align the mounting tabs with this horizontal line, not touching the cabinet bottom as described in Step D.

Installation Instructions

D. ALIGNING THE WALL PLATE



CAUTION: Wear gloves to avoid cutting fingers on sharp edges.

1. Draw a Vertical line on the wall at the center of the 30" wide space.
2. Draw a Horizontal line on the wall at the bottom of "Rear Wall Template".
3. Drill 5/8" holes for toggle bolts on 3 locations (Hole A, Hole B, Hole C) but if the location of hole is same as that of stud, drill a 3/16" hole for wood screw. In other words, toggle bolt can not be used to the location of stud.

NOTE: DO NOT MOUNT THE PLATE AT THIS TIME.

NOTE: Holes A, B and C are inside area E. If none of A, B and C is in a stud, find a stud somewhere in area E and draw a forth circle to line up with the stud. It is important to use **at least one wood screw** mounted **firmly in a stud** to support the weight of the microwave. **Set the mounting plate aside.**

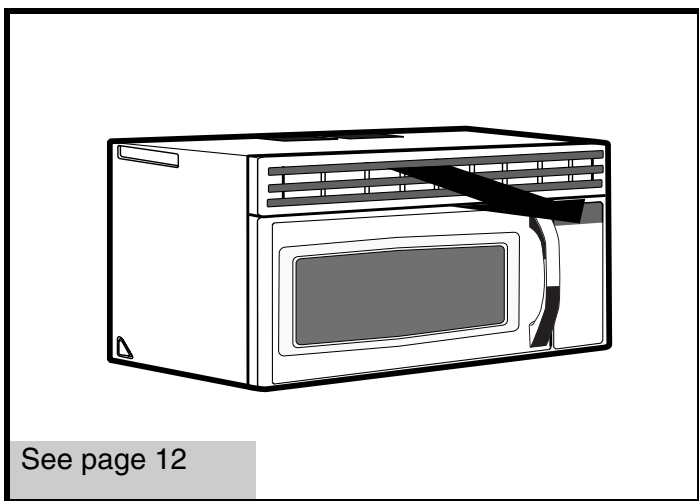
2. INSTALLATION TYPES (Choose A, B or C)

This microwave oven is designed for adaptation to the following three types of ventilation:

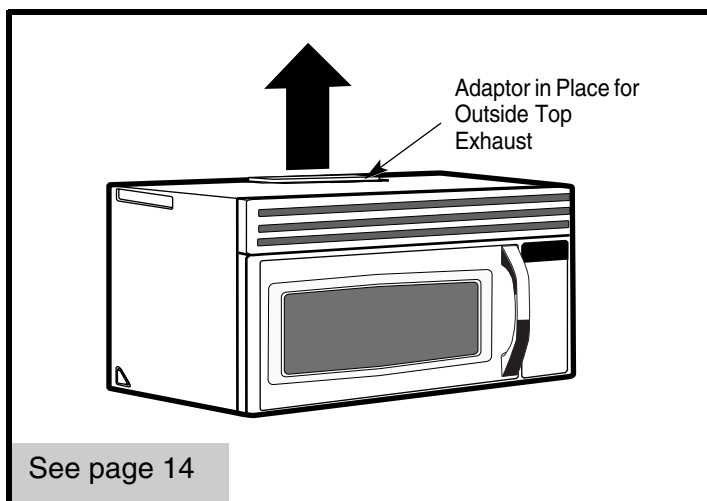
- A. Recirculating (Non-Vented Ductless)
- B. Outside Top Exhaust (Vertical Duct)
- C. Outside Back Exhaust (Horizontal Duct)

NOTE: This microwave is shipped after being assembled for “Recirculating”. And exhaust adaptor is shipped assembled to the filler-upper. Select the type of ventilation required for your installation and proceed to that section.

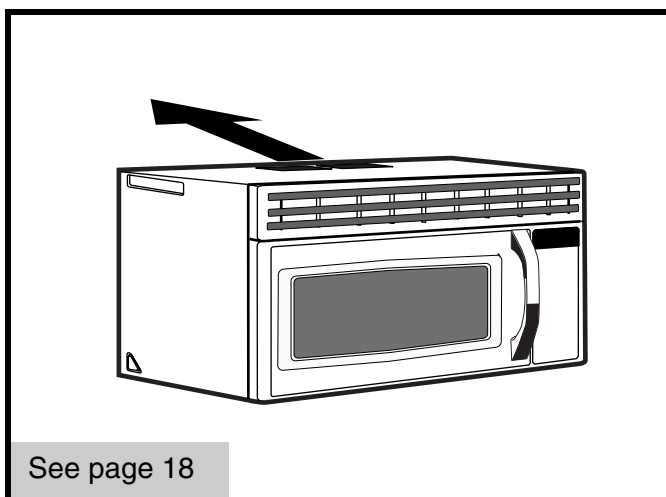
A. RECIRCULATING (NON-VENTED DUCTLESS)



B. OUTSIDE TOP EXHAUST (VERTICAL DUCT)



C. OUTSIDE BACK EXHAUST (HORIZONTAL DUCT)

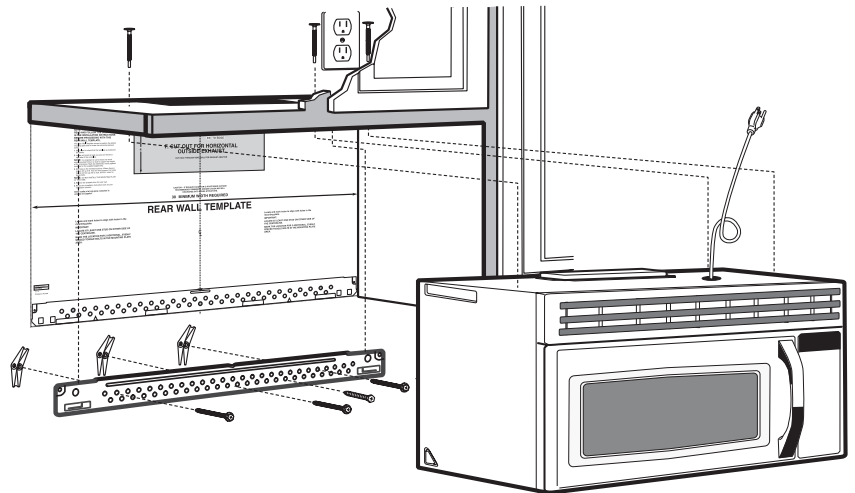


Installation Instructions

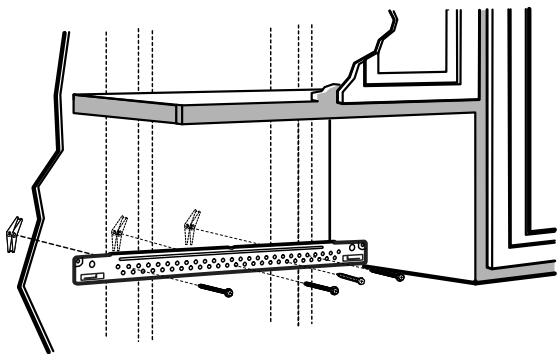
A. RECIRCULATING (Non-Vented Ductless)

INSTALLATION OVERVIEW

- A1. Attach Mounting Plate to Wall
- A2. Prepare Top Cabinet
- A3. Mount the Microwave Oven



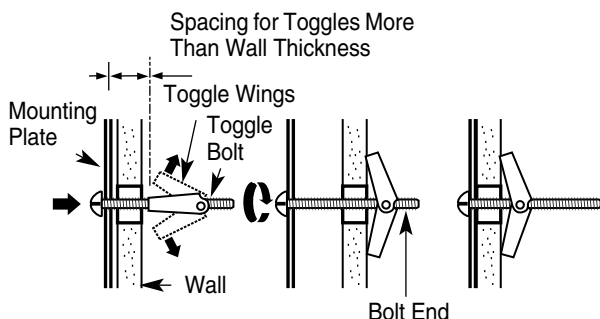
A1. ATTACH THE MOUNTING PLATE TO THE WALL



Attach the plate to the wall using toggle bolts. At least one wood screw must be used to attach the plate to a wall stud.

1. Remove the toggle wings from the bolts.
2. Insert the bolts into the mounting plate through the holes designated to go into drywall and reattach the toggle wings to $\frac{3}{4}$ " onto each bolt.

To use toggle bolts:



3. Place the mounting plate against the wall and insert the toggle wings into the holes in the wall to mount the plate.

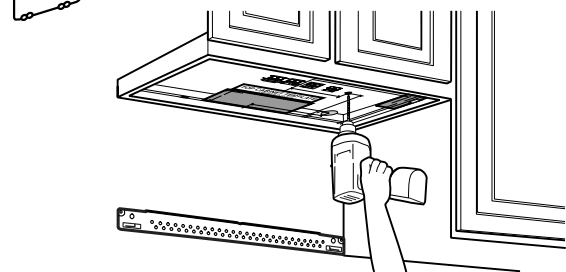
NOTE: Before tightening toggle bolts and wood screw, make sure to coincide bottom line of the Mounting plate with Horizontal line of "Rear wall Template" and then the Mounting plate is properly centered under the cabinet.

CAUTION: Be careful to avoid pinching fingers between the back of the mounting plate and the wall.

4. Tighten all bolts. Pull the plate away from the wall to help tighten the bolts.

A2. USE TOP CABINET TEMPLATE FOR PREPARATION OF TOP CABINET

You need to drill holes for the top support screws and a hole large enough for the power cord to fit through.

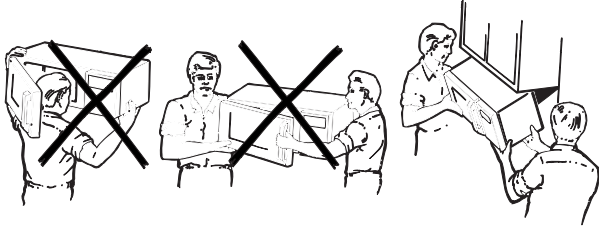


- Read the instructions on the TOP CABINET TEMPLATE.
- Tape it underneath the top cabinet.
- Drill the holes, following the instructions on the TOP CABINET TEMPLATE.

CAUTION: Wear safety goggles when drilling holes in the cabinet bottom.

Installation Instructions

A3. MOUNT THE MICROWAVE OVEN



FOR EASIER INSTALLATION AND PERSONAL SAFETY, WE RECOMMEND THAT **TWO PEOPLE INSTALL THIS MICROWAVE OVEN.**

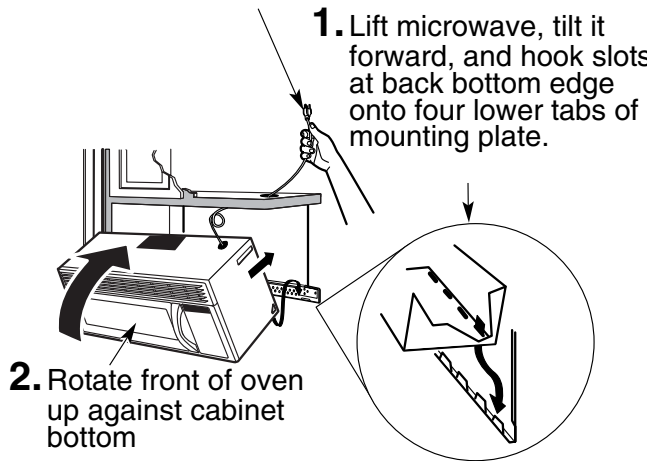
IMPORTANT: Do not grip or use handle during installation.

NOTE: If your cabinet is metal, use the nylon grommet around the power cord hole to prevent cutting of the cord.

NOTE: We recommend using filler blocks if the cabinet front hangs below the cabinet bottom shelf.

IMPORTANT: If filler blocks are not used, case damage may occur from over tightening screws.

NOTE: When mounting the microwave oven, thread power cord through hole in bottom of top cabinet. Keep it tight throughout Steps 1–3. Do not pinch cord or lift oven by pulling cord.

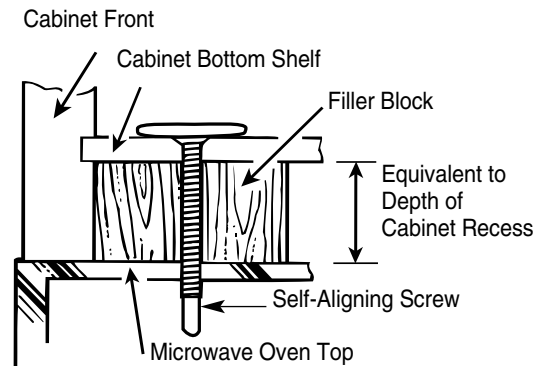


1. Lift microwave, tilt it forward, and hook slots at back bottom edge onto four lower tabs of mounting plate.

2. Rotate front of oven up against cabinet bottom

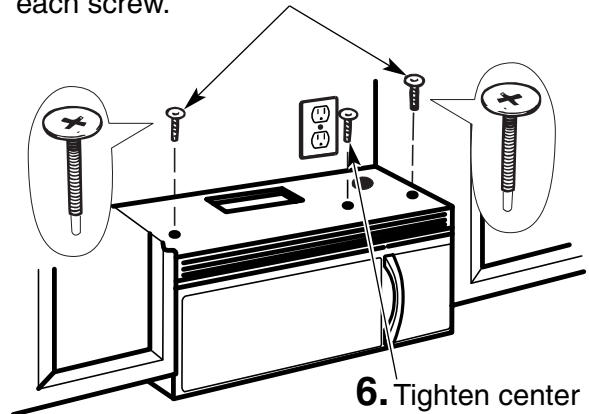
3. Insert a self-aligning screw through top center cabinet hole. Temporarily secure the oven by turning the screw at least **two full turns** after the threads have engaged. (It will be completely tightened later.) **Be sure to keep power cord tight. Be careful not to pinch the cord,**

especially when mounting flush to bottom of cabinet.



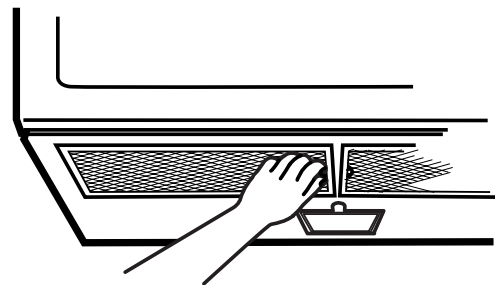
4. Attach the microwave oven to the top cabinet.

5. Insert 2 self-aligning screws through outer top cabinet holes. Turn two full turns on each screw.



6. Tighten center screw completely.

7. Tighten the outer two screws to the top of the microwave oven. (While tightening screws, hold the microwave oven in place against the wall and the top cabinet.)



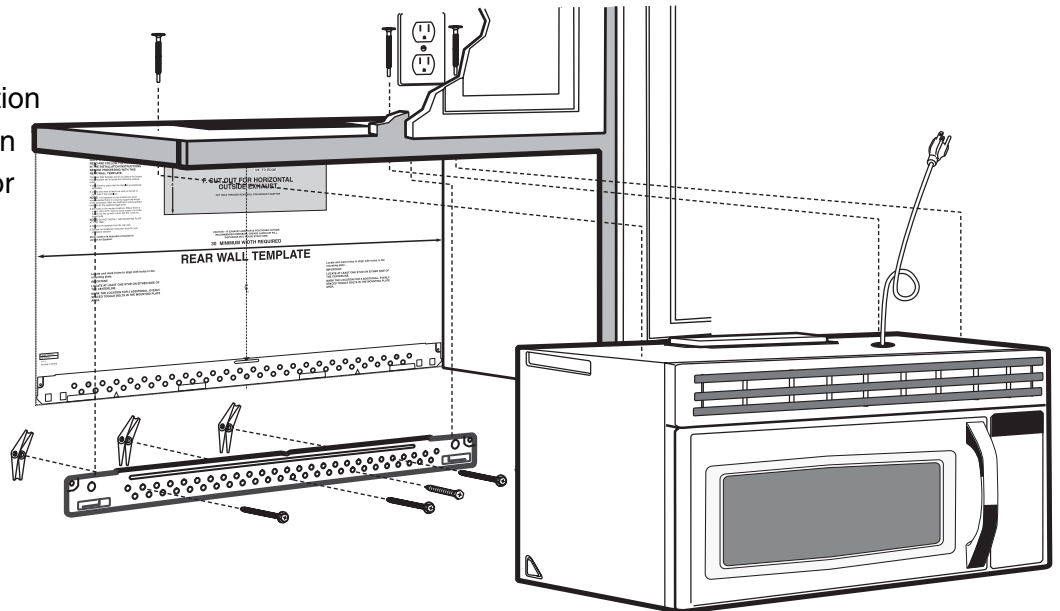
8. Install grease filters. See the Owner's Manual packed with the microwave.

Installation Instructions

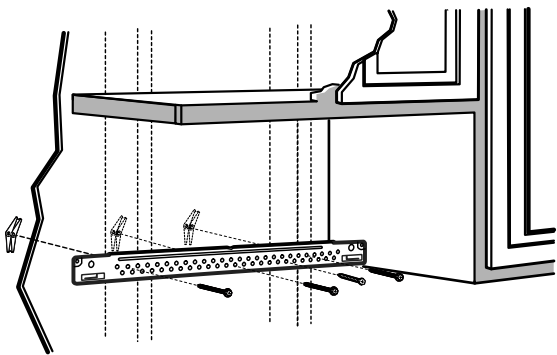
B. OUTSIDE TOP EXHAUST (Vertical Duct)

INSTALLATION OVERVIEW

- B1. Attach Mounting Plate to Wall
- B2. Prepare Top Cabinet
- B3. Adjust Blower
- B4. Check Damper Operation
- B5. Mount Microwave Oven
- B6. Adjust Exhaust Adaptor
- B7. Connect Ductwork



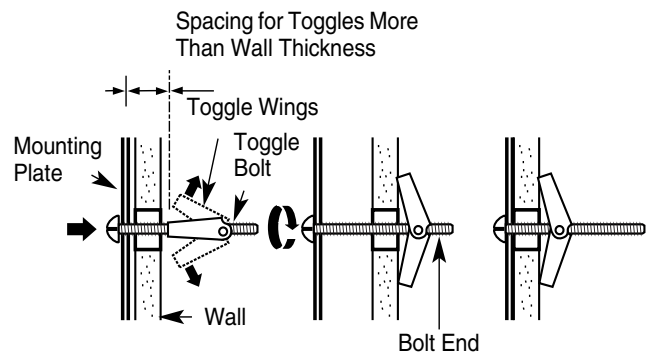
B1. ATTACH THE MOUNTING PLATE TO THE WALL



Attach the plate to the wall using toggle bolts. At least one wood screw must be used to attach the plate to a wall stud.

1. Remove the toggle wings from the bolts.
2. Insert the bolts into the mounting plate through the holes designated to go into drywall and reattach the toggle wings to $\frac{3}{4}$ " onto each bolt.

To use toggle bolts:



3. Place the mounting plate against the wall and insert the toggle wings into the holes in the wall to mount the plate.

NOTE: Before tightening toggle bolts and wood screw, make sure to coincide bottom line of the Mounting plate with Horizontal line of "Rear wall Template" and then the Mounting plate is properly centered under the cabinet.

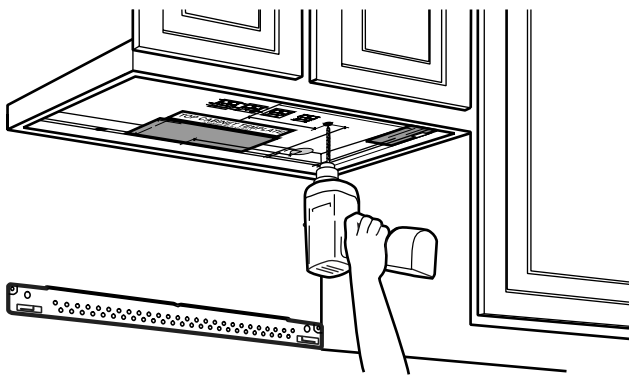
CAUTION: Be careful to avoid pinching fingers between the back of the mounting plate and the wall.

4. Tighten all bolts. Pull the plate away from the wall to help tighten the bolts.

Installation Instructions

B2. USE TOP CABINET TEMPLATE FOR PREPARATION OF TOP CABINET

You need to drill holes for the top support screws, a hole large enough for the power cord to fit through, and a cutout large enough for the exhaust adaptor.

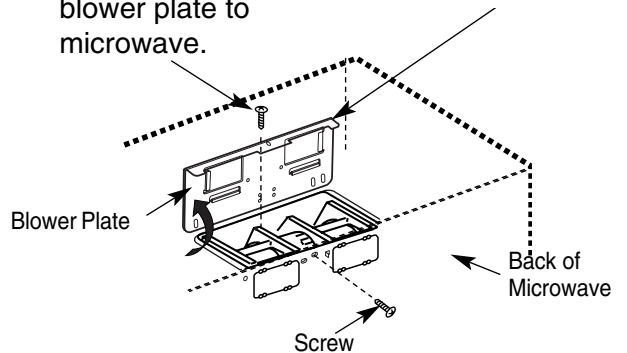


- Read the instructions on the TOP CABINET TEMPLATE.
- Tape it underneath the top cabinet.
- Drill the holes, following the instructions on the TOP CABINET TEMPLATE.

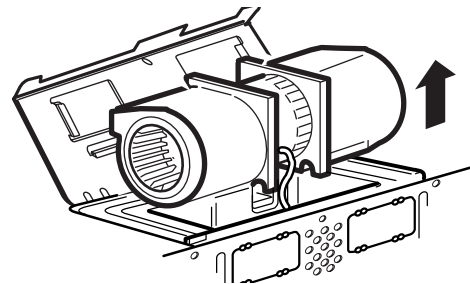
CAUTION: Wear safety goggles when drilling holes in the cabinet bottom.

B3. ADAPTING MICROWAVE BLOWER FOR OUTSIDE TOP EXHAUST

1. Remove and save screw that holds blower plate to microwave.
2. Lift up the blower plate.



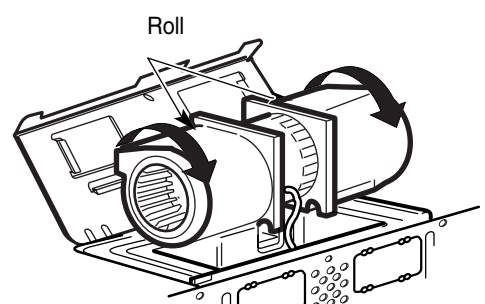
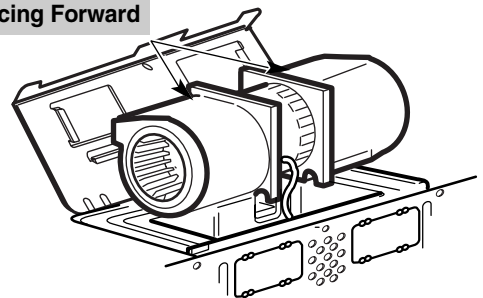
3. Carefully pull out the blower unit. The wires will extend far enough to allow you to adjust the blower unit.



CAUTION: Do not touch blade of blower to prevent cracking and breaking. Hold outer case when the blower is removed and re-installed.

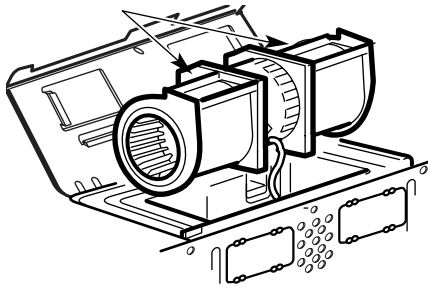
4. Roll the blower unit 90° so that fan blade openings are facing toward the top of the microwave.

BEFORE: Fan Blade Openings Facing Forward

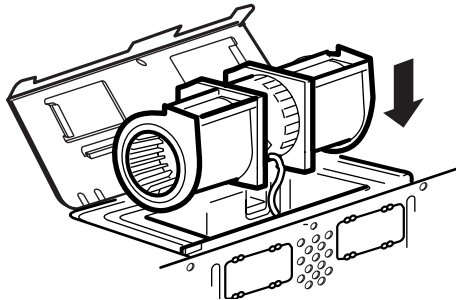


Installation Instructions

**AFTER: Fan Blade Openings
Facing Upward**



5. Place the blower unit back into the opening.

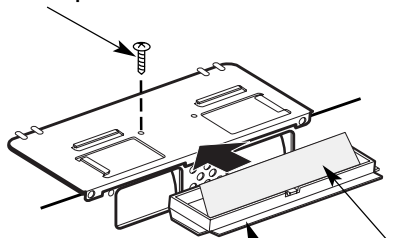


CAUTION: Do not pull or stretch the blower unit wiring. Make sure the wires are not pinched.

6. Secure blower unit to microwave with the screw.

B4. INSTALLATION PROCEDURE FOR EXHAUST ADAPTOR AND PROPER DAMPER OPERATION CHECK

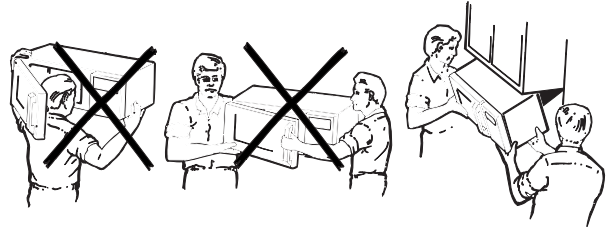
1. Remove and save screw from the panel-outer



Exhaust Adaptor and Damper is shipped after being assembled to the filler-upper.

- 2.** Slide exhaust adaptor following the instructions show in diagram.
- 3.** Make sure tape securing damper is removed and damper pivots easily before mounting microwave
- 4.** Lift damper and Re-screw at same location as (1)
 - You will need to make adjustments to assure proper alignment with your house exhaust duct after the microwave is installed.

B5. MOUNT THE MICROWAVE OVEN



FOR EASIER INSTALLATION AND PERSONAL SAFETY, WE RECOMMEND THAT TWO PEOPLE INSTALL THIS MICROWAVE OVEN.

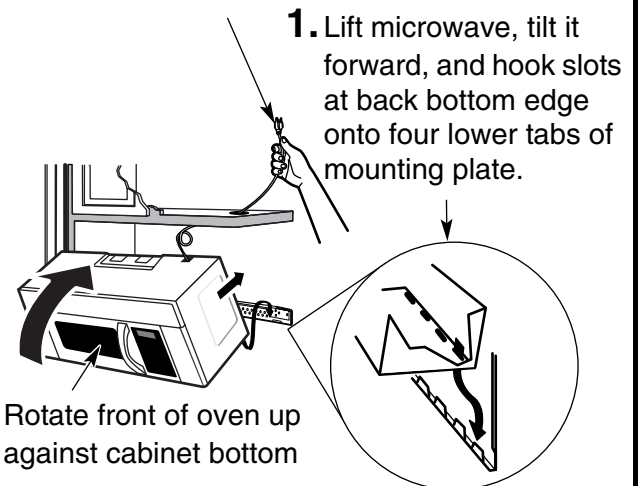
IMPORTANT: Do not grip or use handle during installation.

NOTE: If your cabinet is metal, use the nylon grommet around the power cord hole to prevent cutting of the cord.

NOTE: We recommend using filler blocks if the cabinet front hangs below the cabinet bottom shelf.

IMPORTANT: If filler blocks are not used, case damage may occur from over tightening screws.

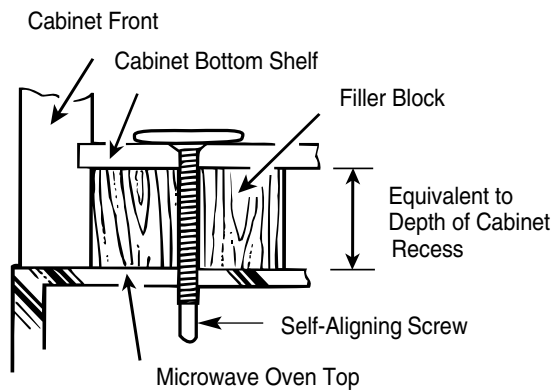
NOTE: When mounting the microwave oven, thread power cord through hole in bottom of top cabinet. Keep it tight throughout Steps 1–3. Do not pinch cord or lift oven by pulling cord.



- 1.** Lift microwave, tilt it forward, and hook slots at back bottom edge onto four lower tabs of mounting plate.
- 2.** Rotate front of oven up against cabinet bottom
- 3.** Insert a self-aligning screw through top center cabinet hole. Temporarily secure the oven by turning the screw at least **two full turns** after the threads have engaged. (It will be completely tightened later.) **Be sure to keep power cord tight. Be careful not to pinch the cord, especially when mounting flush to bottom of cabinet.**

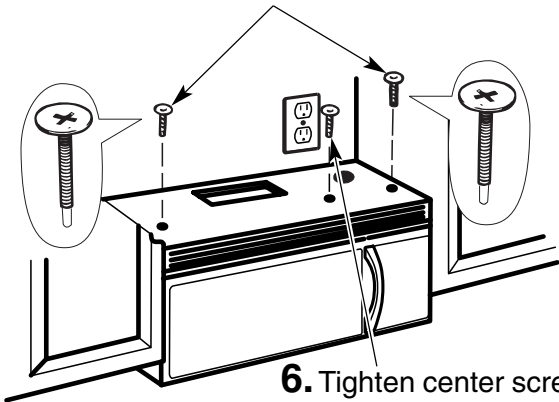
Installation Instructions

B5. MOUNT THE MICROWAVE OVEN (cont.)



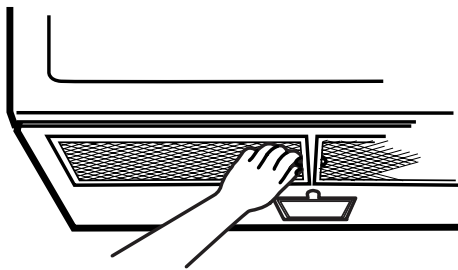
4. Attach the microwave oven to the top cabinet.

5. Insert 2 self-aligning screws through outer top cabinet holes. Turn two full turns on each screw.



6. Tighten center screw completely.

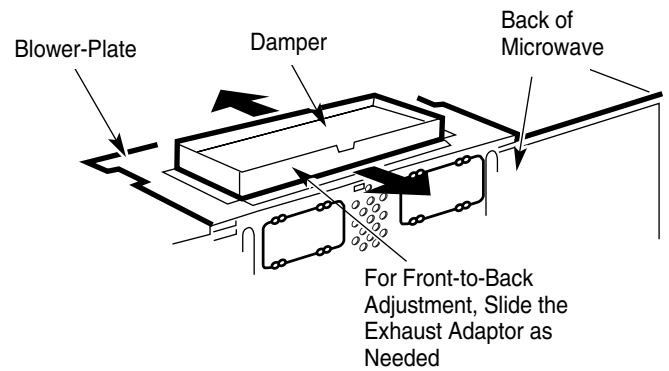
7. Tighten the outer two screws to the top of the microwave oven. (While tightening screws, hold the microwave oven in place against the wall and the top cabinet.)



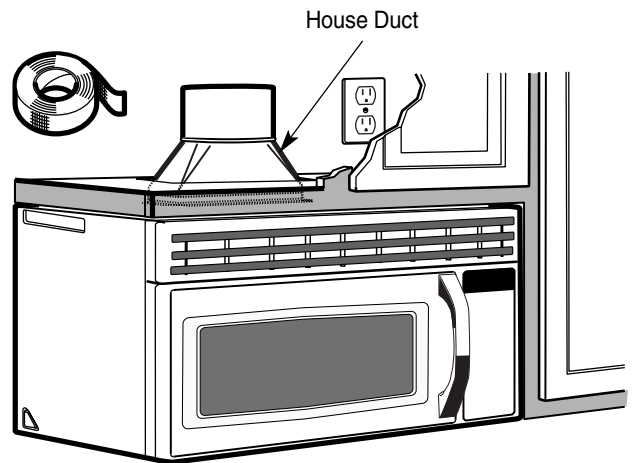
8. Install grease filters. See the Owner's Manual packed with the microwave.

B6. ADJUST THE EXHAUST ADAPTOR

Open the top cabinet and adjust the exhaust adaptor to connect to the house duct.



B7. CONNECTING DUCTWORK



1. Extend the house duct down to connect to the exhaust adaptor.

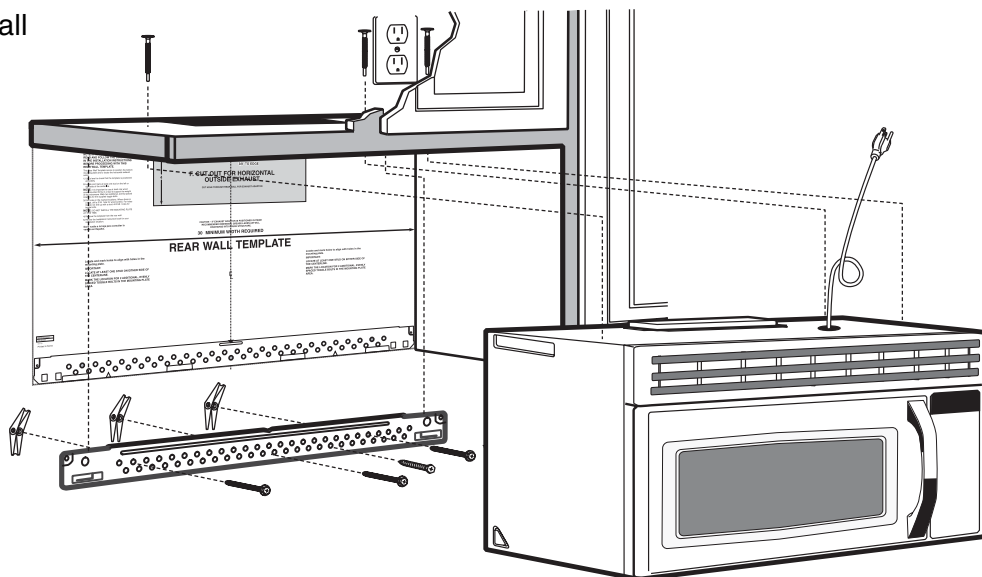
2. Seal exhaust duct joints using duct tape.

Installation Instructions

C. OUTSIDE BACK EXHAUST (Horizontal Duct)

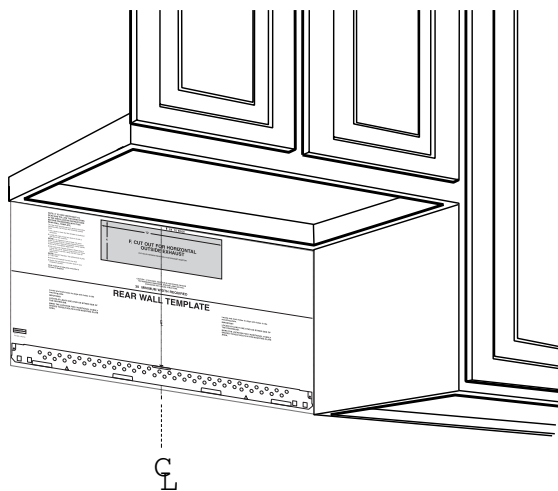
INSTALLATION OVERVIEW

- C1. Prepare Rear Wall
- C2. Attach Mounting Plate to Wall
- C3. Prepare Top Cabinet
- C4. Adjust Blower
- C5. Mount the Microwave Oven



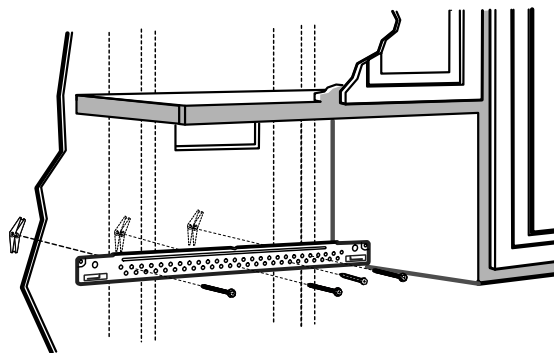
C1. PREPARING THE REAR WALL FOR OUTSIDE BACK EXHAUST

You need to cut an opening in the rear wall for outside exhaust.



- Read the instructions on the REAR WALL TEMPLATE.
- Tape it to the rear wall.
- Cut the opening, following the instructions of the REAR WALL TEMPLATE.

C2. ATTACH THE MOUNTING PLATE TO THE WALL



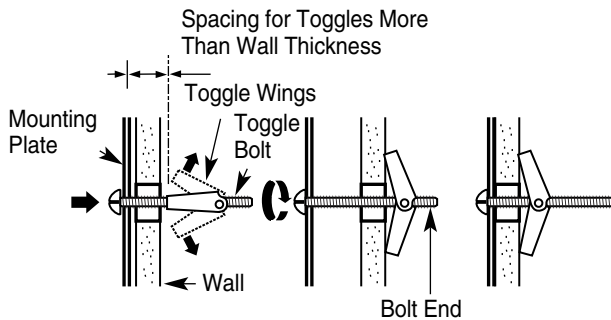
Attach the plate to the wall using toggle bolts. At least one wood screw must be used to attach the plate to a wall stud.

1. Remove the toggle wings from the bolts.
2. Insert the bolts into the mounting plate through the holes designated to go into drywall and reattach the toggle wings to $\frac{3}{4}$ " onto each bolt.

Installation Instructions

C2. ATTACH THE MOUNTING PLATE TO THE WALL (cont.)

To use toggle bolts:



3. Place the mounting plate against the wall and insert the toggle wings into the holes in the wall to mount the plate.

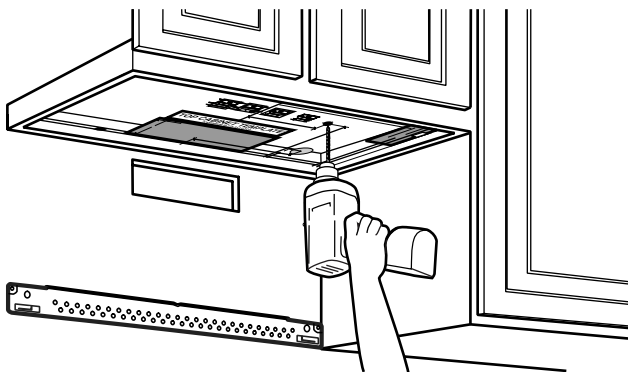
NOTE: Before tightening toggle bolts and wood screw, make sure to coincide bottom line of the Mounting plate with Horizontal line of "Rear wall Template" and then the Mounting plate is properly centered under the cabinet.

CAUTION: Be careful to avoid pinching fingers between the back of the mounting plate and the wall.

4. Tighten all bolts. Pull the plate away from the wall to help tighten the bolts.

C3. USE TOP CABINET TEMPLATE FOR PREPARATION OF TOP CABINET

You need to drill holes for the top support screws and a hole large enough for the power cord to fit through.

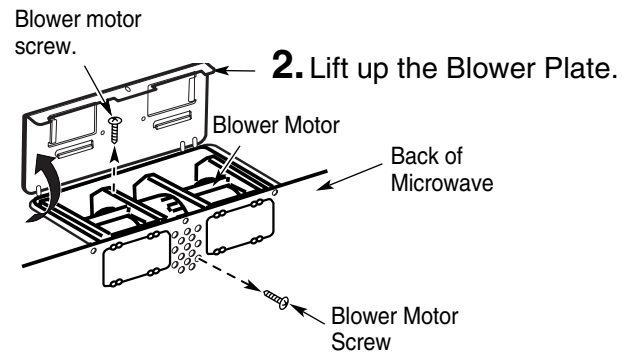


- Read the instructions on the TOP CABINET TEMPLATE.
- Tape it underneath the top cabinet.
- Drill the holes, following the instructions on the TOP CABINET TEMPLATE.

CAUTION: Wear safety goggles when drilling holes in the cabinet bottom.

C4. ADAPTING MICROWAVE BLOWER FOR OUTSIDE BACK EXHAUST

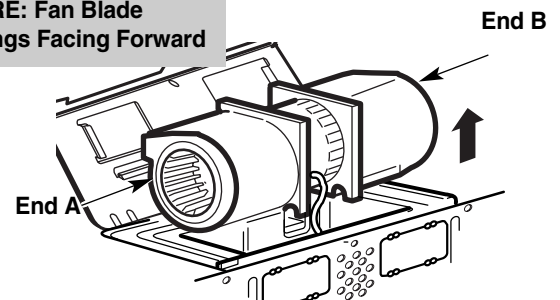
1. Remove and save screw that holds blower Plate to microwave.



2. Lift up the Blower Plate.

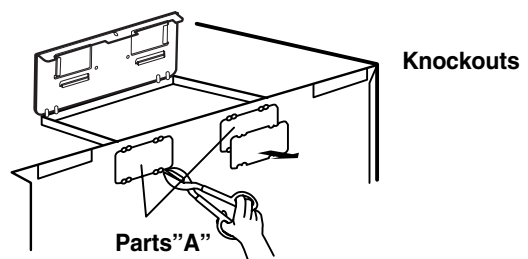
3. Carefully pull out the blower unit. The wires will extend far enough to allow you to adjust the blower unit.

BEFORE: Fan Blade Openings Facing Forward

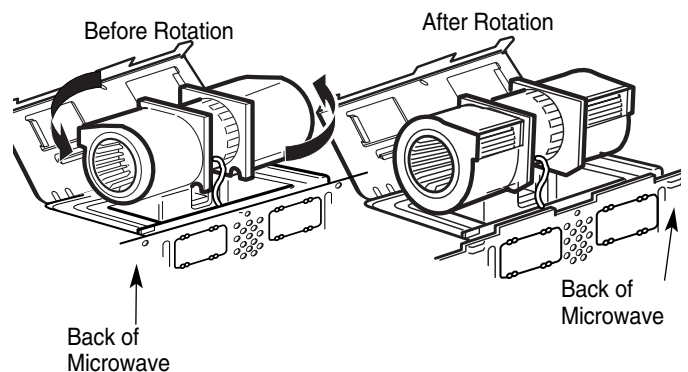


CAUTION: Do not touch blade of blower to prevent cracking and breaking. Hold outer case when the blower is removed and re-installed.

4. Remove "Parts A" with Nipper or Scissors



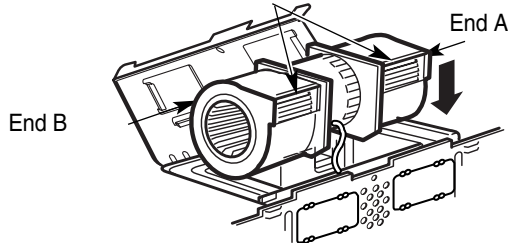
5. Rotate blower unit counterclockwise 180°.



Installation Instructions

6. Place the blower unit back into the opening.

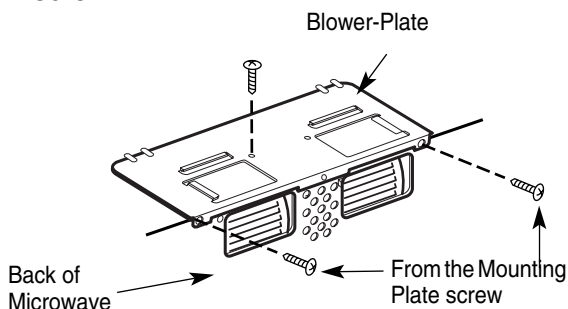
**AFTER: Fan Blade
Openings Facing Back**



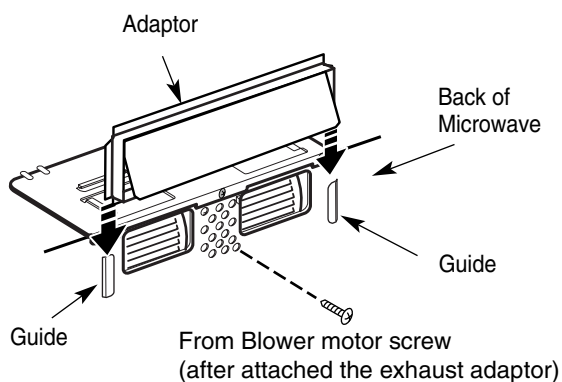
CAUTION: Do not pull or stretch the blower unit wiring. Make sure the wires are not pinched.

NOTE: The blower unit exhaust openings should match exhaust openings on rear of microwave oven.

7. Secure the blower unit to the microwave with the screw.

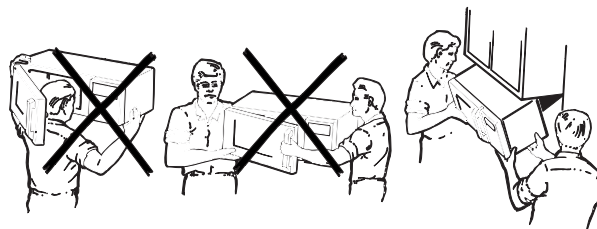


8. Attach the exhaust adaptor to the rear of the oven by sliding it into the guides at the top center of the back of the oven.



Push in securely until it is in the lower locking tabs. Take care to assure that the damper hinge is installed so that it is at the top and that the damper swings freely.

C5. MOUNT THE MICROWAVE OVEN



FOR EASIER INSTALLATION AND PERSONAL SAFETY, WE RECOMMEND THAT **TWO PEOPLE INSTALL THIS MICROWAVE OVEN.**

IMPORTANT: Do not grip or use handle during installation.

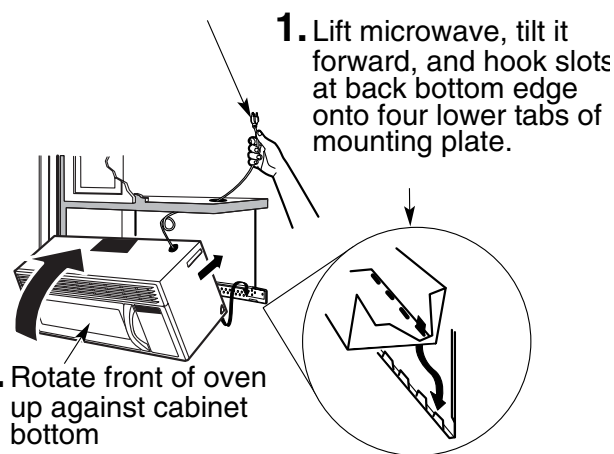
NOTE: If your cabinet is metal, use the nylon grommet around the power cord hole to prevent cutting of the cord.

NOTE: We recommend using filler blocks if the cabinet front hangs below the cabinet bottom shelf.

IMPORTANT: If filler blocks are not used, case damage may occur from over tightening screws.

NOTE: When mounting the microwave oven, thread power cord through hole in bottom of top cabinet.

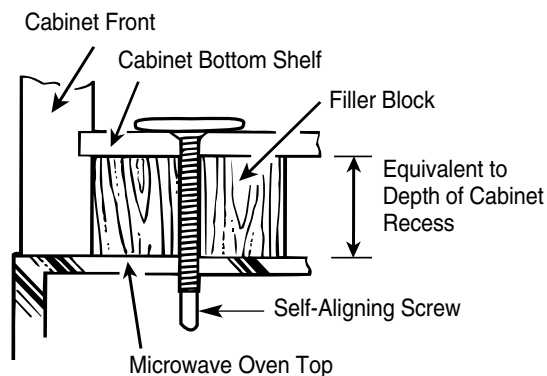
Keep it tight throughout Steps 1–3. Do not pinch cord or lift oven by pulling cord.



3. Insert a self-aligning screw through top center cabinet hole. Temporarily secure the oven by turning the screw at least **two full turns** after the threads have engaged. (It will be completely tightened later.) **Be sure to keep power cord tight. Be careful not to pinch the cord, especially when mounting flush to bottom of cabinet.**

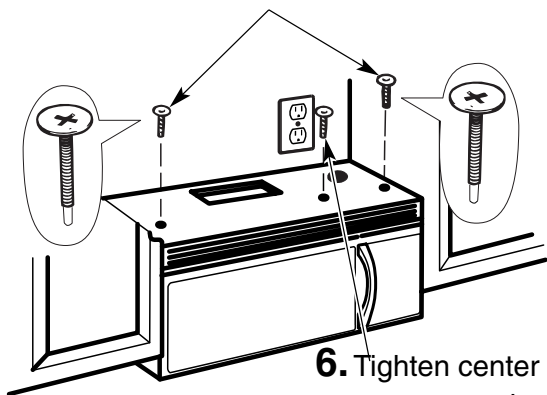
C5. MOUNT THE MICROWAVE OVEN (cont.)

Install grease filters. See the Owner's Manual packed with the microwave.



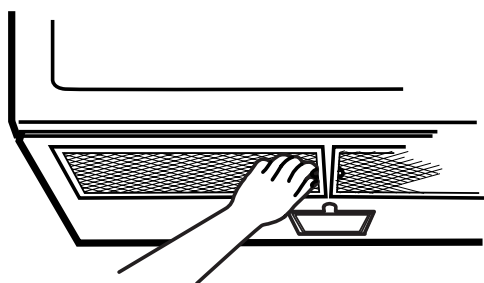
4. Attach the microwave oven to the top cabinet.

5. Insert 2 self-aligning screws through outer top cabinet holes. Turn two full turns on each screw.



6. Tighten center screw completely.

7. Tighten the outer two screws to the top of the microwave oven. (While tightening screws, hold the microwave oven in place against the wall and the top cabinet.)



8. Install grease filters. See the Owner's Manual packed with the microwave.

BEFORE YOU USE YOUR MICROWAVE

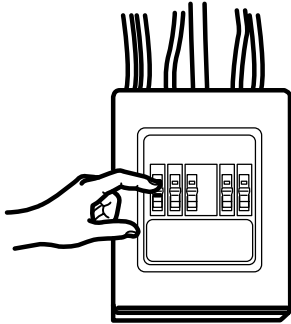
1. Make sure the microwave oven has been installed according to instructions.



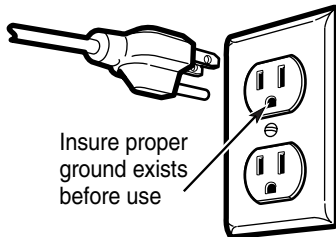
2. Remove all packing material from the microwave oven.

3. Install turntable and ring in cavity.

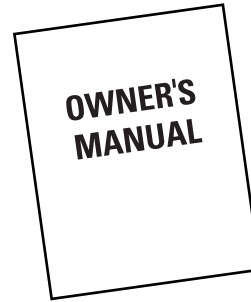
4. Replace house fuse or turn breaker back on.



5. Plug power cord into a dedicated 20 amp electrical outlet.



6. Read the Owner's Manual.



7. KEEP INSTALLATION INSTRUCTIONS FOR THE LOCAL INSPECTOR'S USE.



NOTE

Part No. : 8101P710-60
Form No. :
Code No. : DE68-03141B

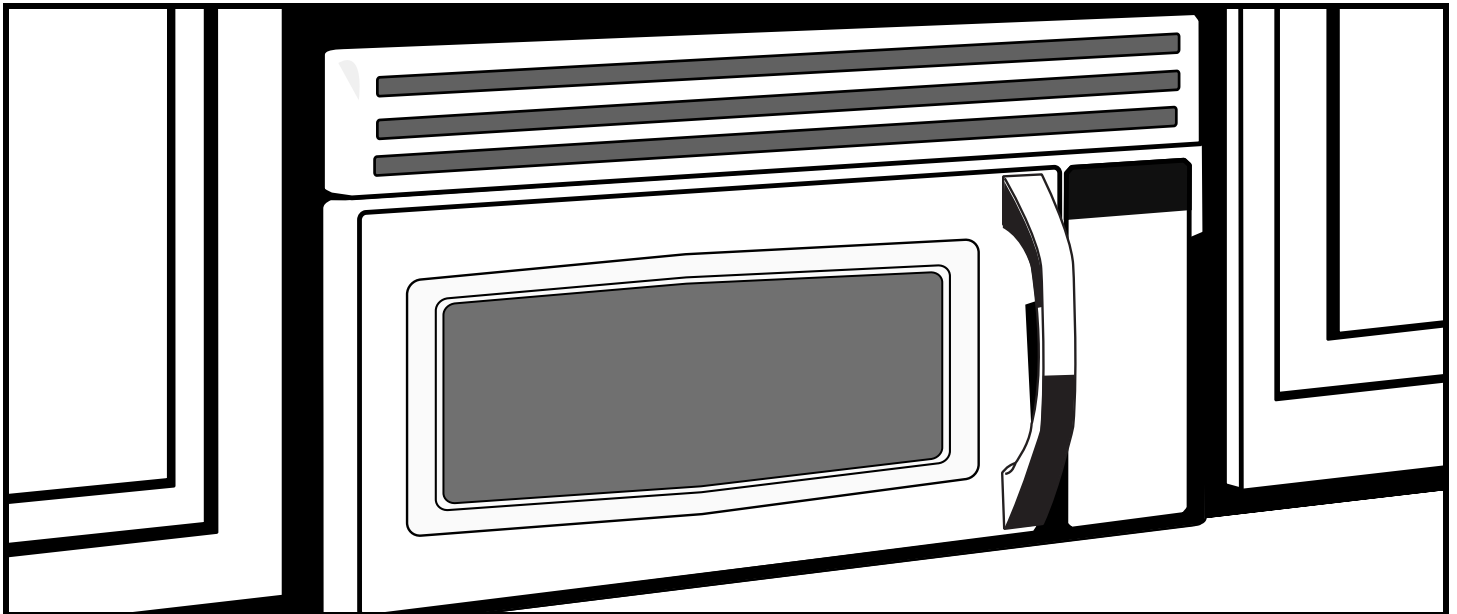
Instrucciones de instalación

Para toda la gama de hornos microondas

ANTES DE EMPEZAR

Lea estas instrucciones completa y detenidamente

- **IMPORTANTE:** Guarde estas instrucciones para referencia del inspector local.
- **IMPORTANTE:** Tenga en cuenta todas las normativas locales.
- **Nota para el instalador:** Asegúrese de que el usuario se quede con estas instrucciones.
- **Nota para el usuario:** Guarde estas instrucciones para posteriores consultas.
- **Capacitación:** La instalación de este aparato requiere conocimientos básicos de electricidad y mecánica.
- La correcta instalación es responsabilidad del instalador.
- La garantía no cubre los fallos producidos por una instalación inadecuada.



LEA ESTAS INSTRUCCIONES DETENIDAMENTE. CONSÉRVELAS.

INDICE GENERAL

Información general

Instrucciones importantes sobre seguridad.....	3
Requisitos eléctricos	3
Difusor de escape	4, 5
Daños – Envío/Instalación	6
Piezas incluidas.....	6
Herramientas que necesitará	7
Espacio para el montaje	7

Guía de instalación paso a paso

Ubicación de la placa de montaje.....	8–10
Extracción de la placa de montaje	8
Búsqueda del entramado de la pared	8
Establecimiento de la ubicación de la placa para la pared.....	9
Alineación de la placa para la pared	10

Tipos de instalación.....11–21

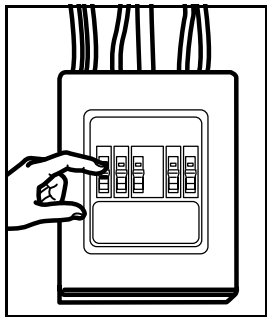
A Recirculación	12–13
Acoplamiento de la placa de montaje a la pared.....	12
Preparación de la parte superior de la unidad.....	12
Montaje del microondas	13
B Escape superior al exterior	14–17
Acoplamiento de la placa de montaje a la pared	14
Preparación de la parte superior de la unidad.....	15
Ajuste del ventilador.....	15
Comprobación del funcionamiento del regulador de tiro	16
Montaje del microondas	16
Ajuste del adaptador del escape.....	17
Conexión de las conducciones.....	17

C Escape posterior al exterior	18-21
Preparación de la pared posterior	18
Acoplamiento de la placa de montaje a la pared.....	18, 19
Preparación de la parte superior de la unidad.....	19
Ajuste del ventilador	19, 20
Montaje del microondas	20, 21

Antes de utilizar el microondas	22
--	-----------

INSTRUCCIONES DE SEGURIDAD IMPORTANTES

Este producto necesita un enchufe mural con toma a tierra de tres patas. El instalador debe realizar una prueba de continuidad de la puesta a tierra en la toma de corriente antes de comenzar la instalación, para asegurarse de que el enchufe esté correctamente conectado a tierra. Si conexión a tierra no es correcta o si el enchufe mural no cumple los requisitos de electricidad anotados (en Requisitos eléctricos), un técnico cualificado se debe encargar de corregir todas las posibles deficiencias.



PRECAUCIÓN: Por su propia seguridad, desconecte la caja de fusibles o abra el cortacircuitos antes de comenzar la instalación, con el fin de evitar heridas graves por descarga.

PRECAUCIÓN: Por su propia seguridad, la superficie de montaje debe ser capaz de admitir la carga del armario, además del peso añadido de este producto de 26,7 kilogramos, así como las cargas adicionales en el horno de hasta 22,6 kilogramos o un peso total de 49,5 kilogramos.

PRECAUCIÓN: Por su propia seguridad, este producto no se puede instalar en armarios, como un satélite o una extensión. Se debe montar en un armario superior y en una pared.

NOTA: Para facilitar la instalación y mejorar la seguridad, se recomienda que en la instalación de este producto participen dos personas.

IMPORTANTE: LÉALO DETENIDAMENTE. POR SU PROPIA SEGURIDAD, ESTE APARATO DEBE CONTAR CON UNA ADECUADA TOMA A TIERRA, CON EL FIN DE EVITAR GRAVES DESCARGAS ELÉCTRICAS.

El cable de alimentación de este aparato está equipado con un enchufe de tres patillas (toma a tierra) que debe coincidir con un receptáculo mural de tres orificios (toma a tierra), para minimizar la posibilidad de que este aparato produzca una descarga eléctrica.



Un electricista cualificado debe comprobar el receptáculo mural y el circuito, para asegurarse de que el receptáculo cuente con una adecuada toma a tierra.

Si el receptáculo fuese uno estándar de dos orificios, es muy importante que un electricista cualificado lo sustituya e instale uno de tres, con toma de tierra.

BAJO NINGUNA CIRCUNSTANCIA CORTE, DEFORME NI RETIRE NINGUNA DE LAS PATILLAS DEL CABLE DE ALIMENTACIÓN. NO UTILICE UN CABLE ALARGADOR.

REQUISITOS ELÉCTRICOS

La clasificación del producto es de 120 voltios CA, 60 hercios,

-MMV4205, AMV5206, MMV5207, JMV8208 (EE.UU.):

14.8 amperios y 1.7 kilovatios.

-MMV5207, JMV8208 (Canada) / AMV6167:

13 amperios y 1.5 kilovatios.

-JMV8166/JMV9169:

14.5 amperios y 1.6 kilovatios.

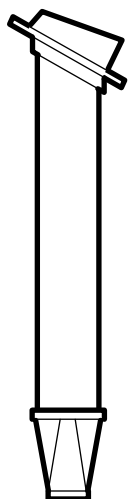
Este producto se debe conectar a un circuito de alimentación de frecuencia y voltaje adecuados. El tamaño del cable debe cumplir los requisitos del Código eléctrico nacional o el código local que prevalezca para estos kilovatios. El cable de alimentación y el enchufe se deben llevar a una toma diferente con una única conexión a tierra y un circuito de derivación de 20 amperios. El enchufe se debe situar en el armario, sobre el microondas. Un electricista se debe encargar de instalar el circuito de alimentación y el enchufe, de manera que se ajuste al Código eléctrico nacional o al código local que prevalezca.

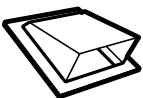


DIFUSOR DE ESCAPE

NOTA: Lea las dos páginas siguientes sólo si desea que el escape de ventilación se dirija al exterior. Si desea que recircule el aire de nuevo hacia la habitación, consulte la página 11.

ESCAPE SUPERIOR AL EXTERIOR (EJEMPLO)

El diagrama siguiente describe un ejemplo de una posible instalación de conducciones.

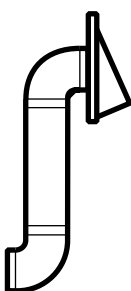


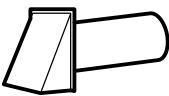


PIEZAS DE CONDUCCIÓN		LONGITUD EQUIVALENTE	x NÚMERO UTILIZADO	=	LONGITUD EQUIVALENTE
	Difusor para el techo	7,3 m	x (1)	=	7,3 m
	3,65 m de conducción recta (redonda de 15,2 cm)	3,65 m	x (1)	=	3,65 m
	Adaptador de transición de rectangular a redondo*	1,52 m	x (1)	=	1,52 m
Las longitudes equivalentes de las piezas de conducción se basan en pruebas reales y reflejan los requisitos para conseguir una buena ventilación con cualquier campana de ventilación.				Longitud total	= 12,49 m

* **IMPORTANTE:** Si se utiliza un adaptador de transición de rectangular a redondo, las esquinas inferiores del regulador de tiro se deberán cortar para conseguir el ajuste, usando la cortadora, con el fin de permitir el libre movimiento del regulador de tiro.

ESCAPE POSTERIOR AL EXTERIOR (EJEMPLO)

El diagrama siguiente describe un ejemplo de una posible instalación de conducciones.



PIEZAS DE CONDUCCIÓN		LONGITUD EQUIVALENTE*	x NÚMERO UTILIZADO	=	LONGITUD EQUIVALENTE
	Difusor para el techo	12,2 m	x (1)	=	12,2 m
	0,9 m de conducción recta (Rectangular de 8,25 x 25,40 cm)	0,91 m	x (1)	=	0,91 m
	90° Codo	3,04 m	x (2)	=	6,1 m
Las longitudes equivalentes de las piezas de conducción se basan en pruebas reales y reflejan los requisitos para conseguir una buena ventilación con cualquier campana de ventilación.				Longitud total	= 19,2 m

NOTA: En el caso del escape posterior, se debe alinear el escape con el espacio entre el entramado de la pared; o bien la pared se debería preparar en el momento de la construcción dejando suficiente espacio entre el entramado de la pared para alojar el escape.

Instrucciones de instalación

NOTA: Si necesita instalar conducciones, tenga en cuenta que la longitud total de la conducción rectangular de 8,25 x 25,40 cm o la conducción redonda de 15,24 cm no debe superar los 42,67 metros equivalentes.

La ventilación exterior requiere una conducción difusora de escape. Lea el aviso siguiente atentamente.

NOTA: Es importante la instalación de la ventilación siga la ruta más directa y tenga los menos codos posibles. De este modo se asegura una salida despejada del escape y se previenen las obstrucciones. **Compruebe también que los reguladores de tiro giren libremente y que nada bloquee las conducciones.**

Conexión del escape

El escape del difusor se ha diseñado para que concuerde con una conducción rectangular estándar de 8,25 x 25,40 cm.





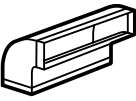
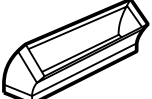


Si se necesita una conducción redonda se debe usar un adaptador de transición de rectangular a redondo. **No utilice una conducción de menos de 15,24 cm.**

Longitud máxima de la conducción

Para conseguir un movimiento del aire satisfactorio, la longitud total de la conducción rectangular de 8,25 x 25,40 cm o de la conducción redonda de 15,24 cm no debe superar el equivalente a 42,67 m.

Los codos, las transiciones, los difusores de techo y de pared, etc.,

presentan una resistencia adicional al flujo de aire y son equivalentes a una sección de conducción recta mayor que su tamaño real. Al calcular la longitud total de la conducción, añada las longitudes equivalentes de todas las transiciones y adaptadores además de la longitud de todas las secciones de conducciones rectas. El diagrama siguiente muestra cómo calcular la longitud total equivalente de las conducciones usando la distancia aproximada de longitud equivalente de algunas conducciones típicas.

PIEZAS DE CONDUCCIÓN		LONGITUD EQUIVALENTE	x	NÚMERO UTILIZADO	=	LONGITUD EQUIVALENTE	
	Adaptador de transición de rectangular a redondo*	1,52 m	x	()	=	m	
	Difusor de pared	12,2 m	x	()	=	m	
	90° Codo	3,04 m	x	()	=	m	
	45° Codo	1,52 m	x	()	=	m	
	90° Codo	7,6 m	x	()	=	m	
	45° Codo	1,52 m	x	()	=	m	
	Difusor para el techo	7,3 m	x	()	=	m	
	Conducción recta redonda de 15,24 cm o rectangular de 8,25 x 15,40 cm	7,3 m	x	()	=	m	
					Total de conducciones	=	m

Instrucciones de instalación



*** IMPORTANTE:** Si se utiliza un adaptador de transición de ectangular a redondo, las esquinas inferiores del regulador de tiro se deberán cortar para conseguir el ajuste, usando la

cortadora, con el fin de permitir el libre movimiento del regulador de tiro.


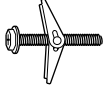


Las longitudes equivalentes de las piezas de conducción se basan en pruebas reales y reflejan los requisitos para conseguir una buena ventilación con cualquier campana de ventilación.

DAÑOS – ENVÍO/ INSTALACIÓN

- Si se daña la unidad durante el envío, devuélvala a la tienda donde la compró para que la reparen o sustituyan.
- Si el cliente ha dañado la unidad, la reparación o sustitución será responsabilidad del cliente.
- Si el instalador ha dañado la unidad (si no ha sido el cliente), la reparación o la sustitución se debe realizar mediante acuerdo entre cliente e instalador.

PIEZAS INCLUIDAS





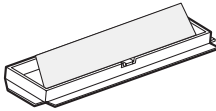
PAQUETE DE PIEZAS PARA EL MONTAJE

PIEZA		CANTIDAD
	Tirafondos (0,63 x 5 cm)	1
	Pernos acodados (y palomillas) (0,45/ x 7,62 cm)	3
	Tornillos para metal de autoalineación (0,63-28 x 8,25 cm)	3
	Arandela de nylon (para armarios metálicos)	2

Encontrará las piezas de instalación en un paquete que se entrega con la unidad. Compruebe que no falte ninguna pieza.

NOTA: Se incluyen algunas piezas extras.

PIEZAS ADICIONALES

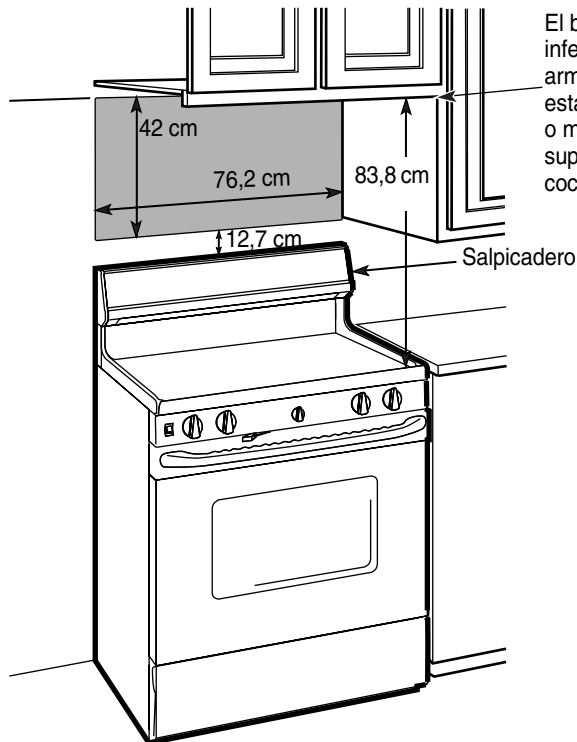
PIEZA		CANTIDAD	
	PLANTILLA PARA EL ARMARIO SUPERIOR	Plantilla para el armario superior	1
	PLANTILLA POSTERIOR PARA LA PARED	Plantilla posterior para la pared	1
	Instrucciones de instalación	Instrucciones de instalación	1
	Filtros de grasa empacotados por separado	Filtros de grasa empacotados por separado	2
	Adaptador de escape	Adaptador de escape	1

Instrucciones de instalación

HERRAMIENTAS QUE NECESITARÁ



ESPACIO DE MONTAJE



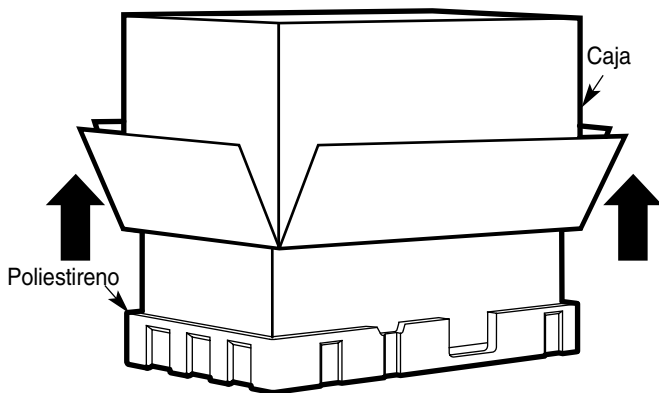
NOTAS:

- El espacio entre los armarios debe ser de 76,2 cm de ancho y libre de obstáculos.
- Se debe instalar este microondas en espacios superiores a los 83,8 cm
- Si va a llevar la ventilación de su microondas hacia el exterior, consulte la sección Difusor de escape para la preparación de la conducción de escape.
- **Al instalar el microondas bajo armarios lisos de superficie suave, siga las instrucciones de la plantilla para el armario superior para dejar el espacio libre necesario para el cable de alimentación.**

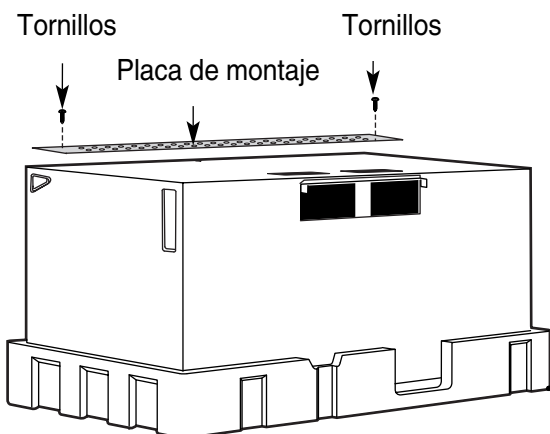
1. COLOCACIÓN DE LA PLACA DE MONTAJE

A. EXTRACCIÓN DEL MICROONDAS DE LA CAJA/ EXTRACCIÓN DE LA PLACA DE MONTAJE

1. Saque las instrucciones de instalación, el adaptador del escape, los filtros, la bandeja de cristal y la pequeña bolsa con piezas. No retire la protección de poliestireno del frontal del horno.
2. Doble las cuatro solapas de la caja hacia los laterales. Después dé la vuelta a la caja, de forma que ésta descansa sobre el lado superior. El horno debería descansar ahora sobre el poliestireno.



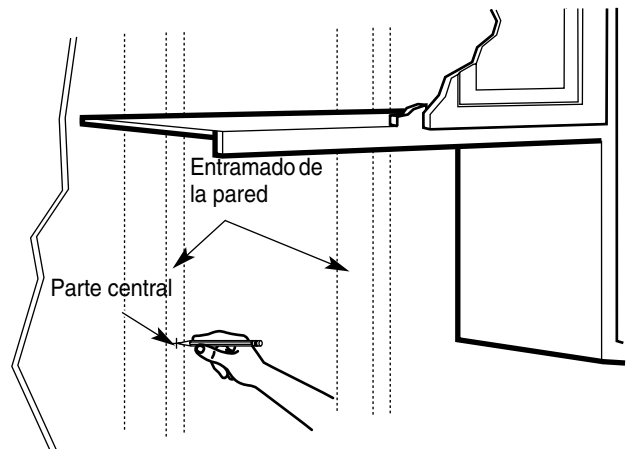
3. Tire de la caja hacia arriba y saque el horno.
4. Retire las bolsas de plástico y guárdelas para su posterior reciclado.



5. Retire los 2 tornillos de la placa de montaje. Esta placa se utilizará como plantilla posterior para la pared y para el montaje.

NOTA: Tendr que volver a utilizar dos tornillos en la ubicacin original de la caja exterior despues de retirar la placa de montaje.

B. BÚSQUEDA DEL ENTRAMADO DE LA PARED



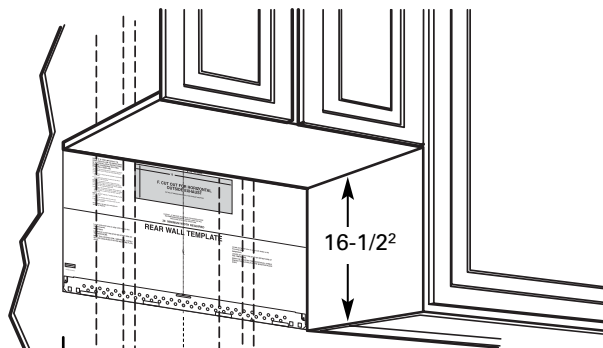
1. Busque el entramado, mediante uno de estos métodos:
 - A. Detector de clavos: un dispositivo magnético que encuentra clavos.

O BIEN

 - B. Use un martillo para golpear ligeramente la superficie de montaje y buscar un sonido sólido. De este modo encontrará el entramado.
 2. Después de encontrarlo, busque por la pared el centro mediante un pequeño clavo, para encontrar los bordes del entramado. Después haga una marca en el centro, entre los dos bordes. El centro de cualquier entramado adyacente debería estar a 40,64 o 60,96 cm de esta marca.
 3. Dibuje una línea bajo el centro del entramado.
- EL MICROONDAS SE DEBE SUJETAR AL MENOS A UN ENTRAMADO DE LA PARED.**

C. UBICACIÓN DE LA PLACA MURAL BAJO EL ARMARIO

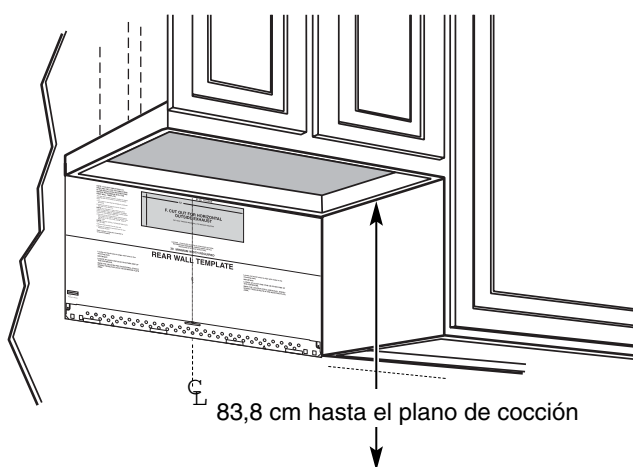
Posición de la placa: bajo el armario de superficie inferior lisa



Al menos a 76,2 cm

Trace una línea vertical en la pared, en el centro de un espacio de 76,2 cm de ancho.
Pegue la plantilla posterior en la pared, haciéndola coincidir con la línea central y tocando el borde inferior del armario.

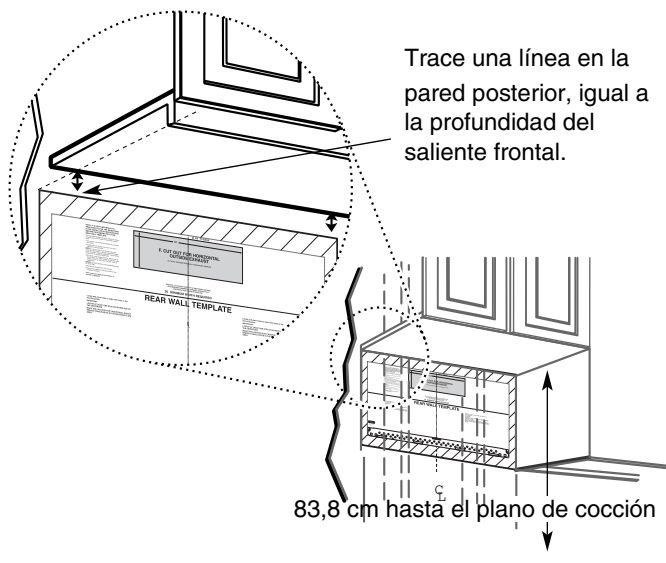
Posición de la placa: bajo la parte inferior del armario empotrado



83,8 cm hasta el plano de cocción

Dibuje una línea vertical en la pared, en el centro de un espacio de 76,2 cm .
Pegue la plantilla posterior en la pared, haciéndola coincidir con la línea central y tocando la estructura inferior del armario.

Posición de la placa: bajo el armario con la parte inferior empotrada con saliente frontal



Trace una línea en la pared posterior, igual a la profundidad del saliente frontal.

83,8 cm hasta el plano de cocción

Es posible que los armarios tengan una banda decorativa que estorbe en la instalación del microondas. Retire la banda decorativa para instalar adecuadamente el microondas y nivelarlo.

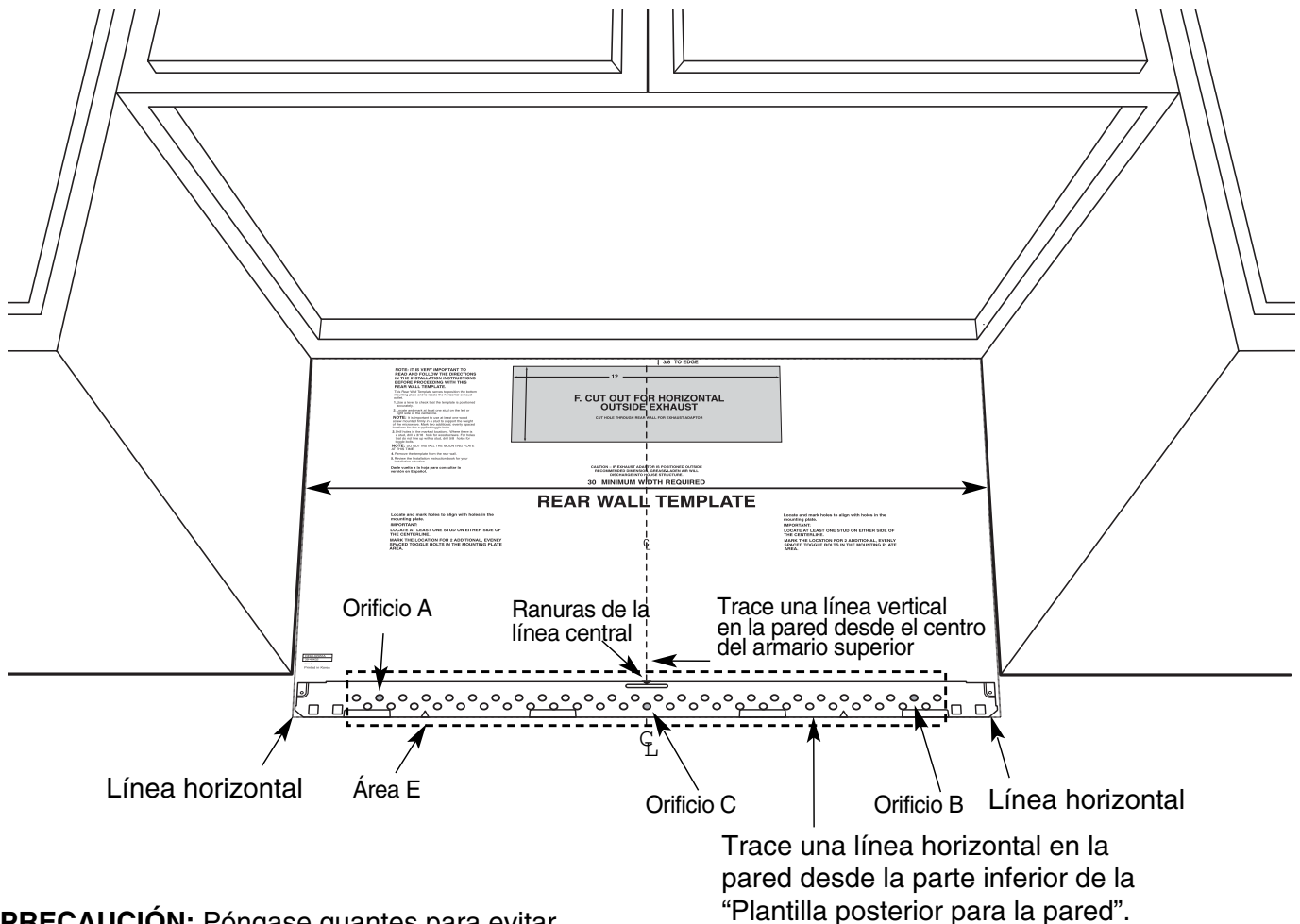
EL MICROONDAS DEBE ESTAR NIVELADO.

Use un nivel para asegurarse de que el horno esté realmente nivelado.

Si los armarios sólo tienen un saliente frontal, sin estructura posterior o lateral, instale la placa de montaje a la misma distancia que la profundidad del saliente frontal. Así se mantendrá nivelado el microondas.

1. Mida la profundidad del interior del saliente frontal.
2. Trace una línea horizontal en la pared posterior, bajo la parte inferior del armario, a una distancia equivalente a la profundidad interior del saliente frontal.
3. Para este tipo de instalación solamente con saliente frontal, alinee las pestañas de montaje con esta línea horizontal, sin que toque con la parte inferior del armario, tal como se describe en el Paso D.

D. ALINEACIÓN DE LA PLACA MURAL



PRECAUCIÓN: Póngase guantes para evitar cortarse los dedos con los bordes afilados.

1. Dibuje una línea vertical en la pared, en el centro de un espacio de 76,2 cm de ancho.
2. Trace una línea horizontal en la pared, en la parte inferior de la "Plantilla posterior para la pared".
3. Perfore orificios de 1,5 cm para los pernos acodados en 3 lugares (orificios A, B, C); pero si la ubicación del orificio es la misma que para el entramado, perfore un orificio de 0,5 cm para un tirafondos. En otras palabras, un perno acodado no se puede usar para la ubicación del entramado.
NOTA: NO MONTE LA PLACA EN ESTE MOMENTO.

NOTA: Los orificios A, B y C se encuentran en el interior del área E. Si ninguno de estos orificios estuviera en el entramado, busque uno en algún lugar del área E y dibuje un círculo para alinearlos con el entramado. Es importante usar **al menos un tirafondos** montado **firmemente en un entramado** para soportar el peso del microondas. **Separe la placa de montaje.**

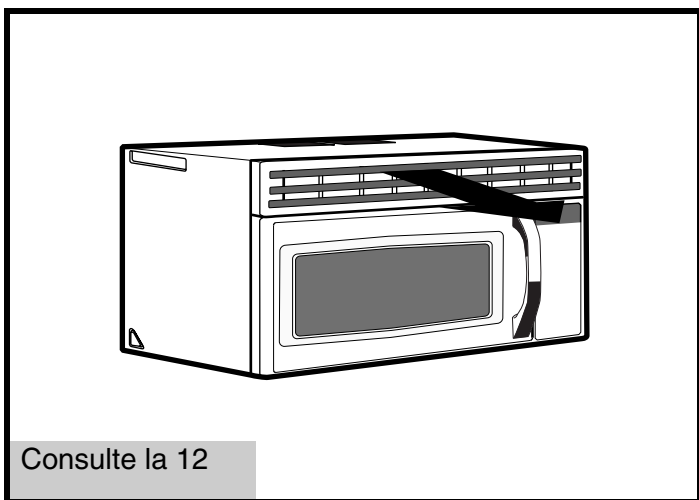
2. TIPOS DE INSTALACIÓN (Seleccione A, B o C)

El microondas está diseñado para adaptarlo a los tres tipos de ventilación siguientes:

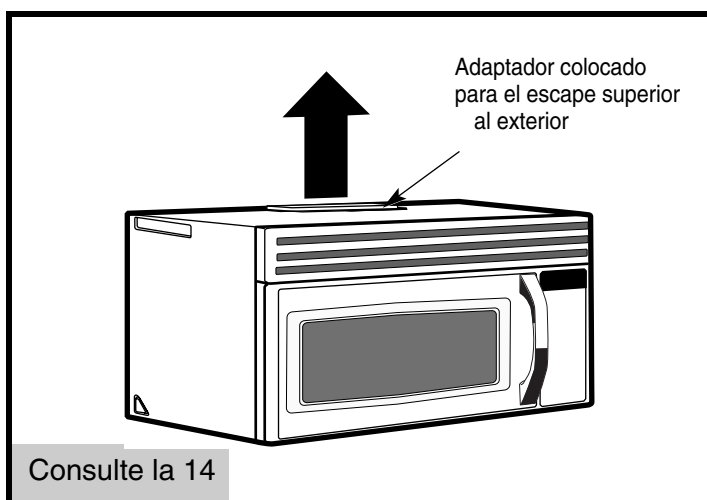
- A. Recirculación (sin conducciones de ventilación)
- B. Escape superior al exterior (conducción vertical)
- C. Escape posterior al exterior (conducción horizontal)

NOTA: Este microondas se suministra preparado para la "Recirculación". Se suministra el adaptador de escape montado en el relleno superior. Seleccione el tipo de ventilación requerido para la instalación y continúe con esa sección.

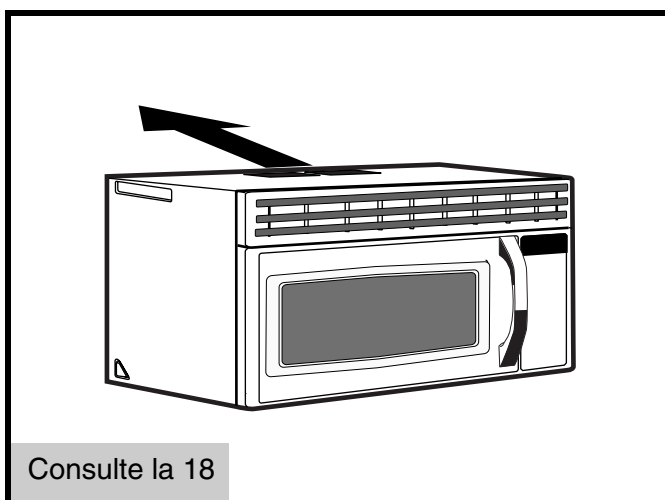
A. RECIRCULACIÓN (SIN CONDUCCIONES DE VENTILACIÓN)



B. ESCAPE SUPERIOR AL EXTERIOR (CONDUCCIÓN VERTICAL)



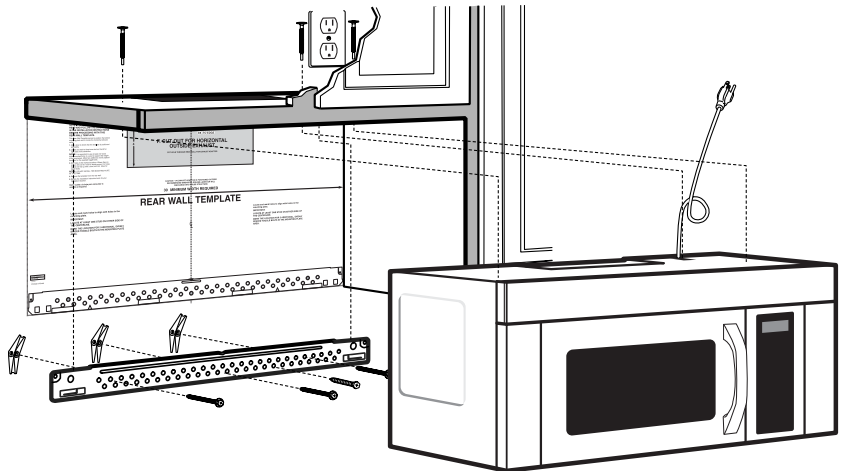
C. ESCAPE POSTERIOR AL EXTERIOR (CONDUCCIÓN HORIZONTAL)



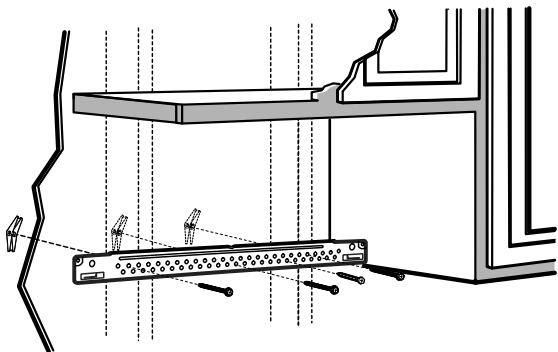
A. RECIRCULACIÓN (sin conducciones de ventilación)

VISIÓN GENERAL DE LA INSTALACIÓN

- A1. Acople la placa de montaje a la pared
- A2. Prepare el armario superior
- A3. Monte el microondas



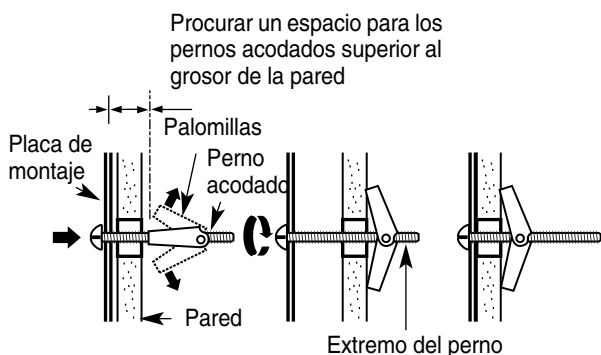
A1. FIJE LA PLACA DE MONTAJE A LA PARED



Acople la placa a la pared mediante los pernos acodados. Se debe usar al menos un tirafondos para acoplar la placa a un entramado.

1. Retire las palomillas de los pernos.
2. Inserte los pernos en la placa de montaje a través de los orificios diseñados para penetrar en el muro de mampostería y vuelva a fijar las palomillas a 1,90 cm en cada perno.

Para usar los pernos acodados:



3. Coloque la placa de montaje sobre la pared e inserte las palomillas en los orificios de la pared para montar la placa.

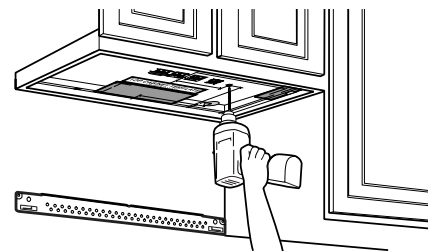
NOTA: Antes de apretar los pernos acodados y los tirafondos, asegúrese de que coincida la línea inferior de la placa de montaje con la línea horizontal de la "Plantilla posterior para la pared" y que la placa de montaje esté correctamente centrada bajo el armario.

PRECAUCIÓN: Evite pillarse los dedos entre la parte posterior de la placa de montaje y la pared.

4. Apriete todos los pernos. Separe la placa de la pared para apretar mejor los pernos.

A2. USE LA PLANTILLA DEL ARMARIO SUPERIOR PARA PREPARARLO

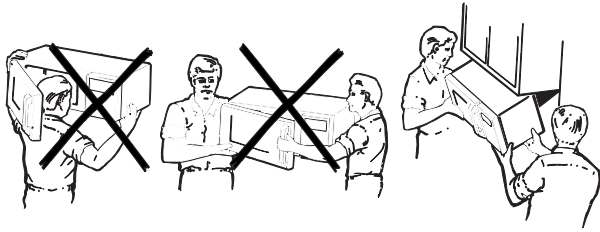
Debe taladrar orificios para los tornillos superiores de soporte y un orificio lo suficientemente grande para pasar por él el cable de alimentación.



- Lea las instrucciones de la plantilla para el armario superior.
- Colóquela bajo el armario superior.
- Taladre los orificios, siguiendo las instrucciones de la plantilla para el armario superior.

PRECAUCIÓN: Lleve gafas de seguridad cuando taladre orificios en la parte inferior del armario.

A3. MONTE EL MICROONDAS



PARA FACILITAR LA INSTALACIÓN Y MEJORAR LA SEGURIDAD, SE RECOMIENDA QUE **EN LA INSTALACIÓN DE ESTE MICROONDAS PARTICIPEN DOS PERSONAS.**

IMPORTANTE: No sujete el horno por las asas durante la instalación.

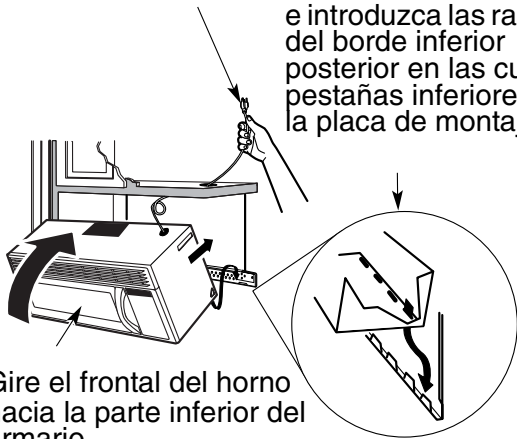
NOTA: Si el armario es metálico, proteja el orificio del cable de alimentación con arandelas de nylon para evitar que éste se pueda cortar.

NOTA: Se recomienda el uso de bloques de relleno si el frontal del armario sobresale bajo el estante inferior del armario.

IMPORTANTE: Si no se utilizan bloques de relleno, puede producirse algún daño en la estructura al forzar los tornillos.

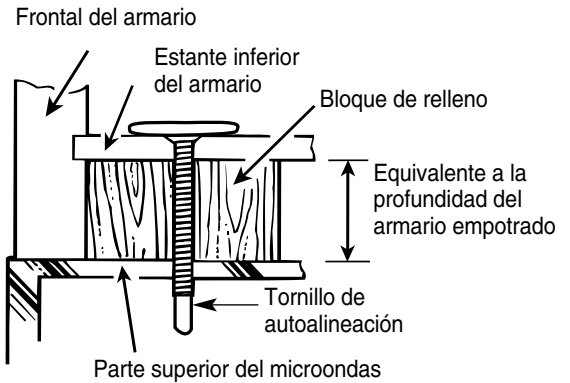
NOTA: Al montar el microondas, pase el cable de alimentación por el orificio en la parte inferior del armario superior. Manténgalo tensado en los pasos 1-3. No lo pince ni lo use para levantar el microondas.

1. Levante el microondas, inclínelo hacia delante e introduzca las ranuras del borde inferior posterior en las cuatro pestañas inferiores de la placa de montaje.



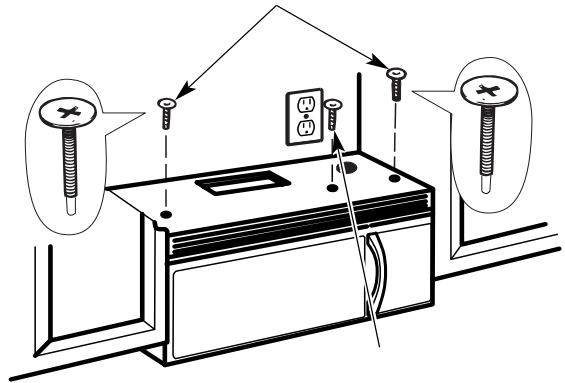
2. Gire el frontal del horno hacia la parte inferior del armario.

3. Inserte un tornillo de autoalineación a través del orificio central superior del armario. Fije temporalmente el microondas apretando el tornillo al menos **dos giros completos** después de acoplar los cables. Después se apretará por completo. **Mantenga tensado el cable de alimentación. No pince el cable, especialmente si se nivela con la parte inferior del armario.**



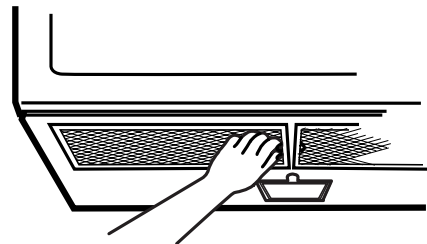
4. Fije el microondas al armario superior.

5. Inserte dos tornillos de autoalineación a través de los orificios exteriores superiores del armario. Apriete cada tornillo dos vueltas completas.



6. Apriete completamente el tornillo central.

7. Apriete los dos tornillos exteriores a la parte superior del microondas. (Cuando apriete los tornillos, sujete el microondas contra la pared y el armario superior.)

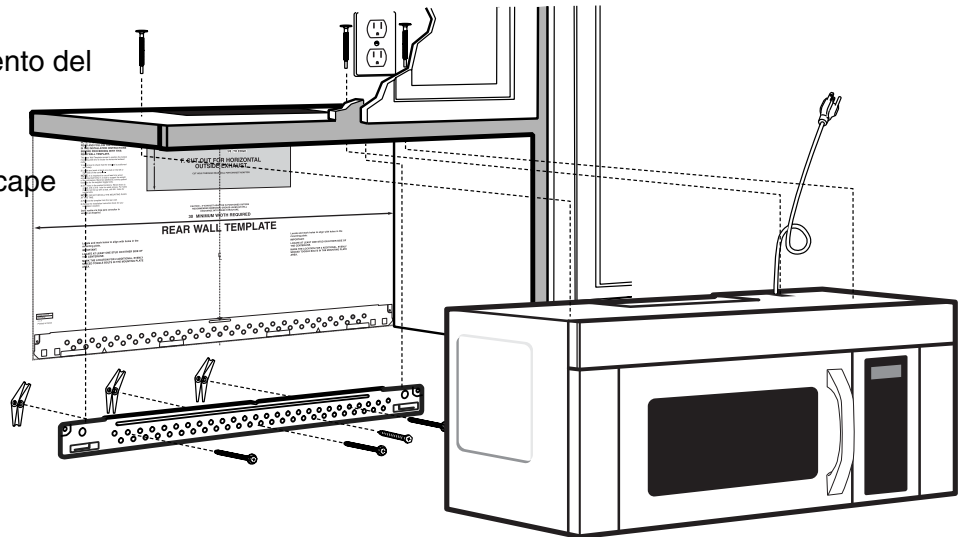


8. Instale los filtros de grasa. Consulte el manual del usuario que se suministra con el microondas.

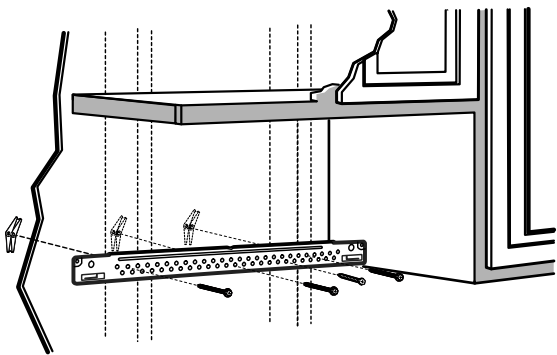
B. ESCAPE SUPERIOR AL EXTERIOR (Conducción vertical)

VISIÓN GENERAL DE LA INSTALACIÓN

- B1. Acople la placa de montaje a la pared
- B2. Prepare el armario superior
- B3. Ajuste el ventilador
- B4. Compruebe el funcionamiento del regulador de tiro
- B5. Monte el microondas
- B6. Ajuste el adaptador del escape
- B7. Conecte las conducciones



B1. FIJE LA PLACA DE MONTAJE A LA PARED

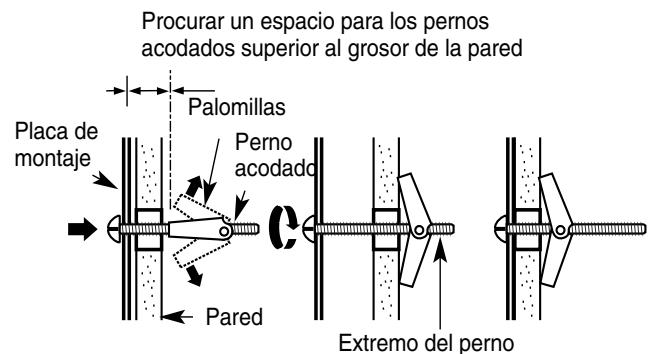


Acople la placa a la pared mediante los pernos acodados. Se debe usar al menos un tirafondos para fijar la placa al entramado de la pared.

la placa al entramado de la pared.

1. Retire las palomillas de los pernos.
2. Inserte los pernos en la placa de montaje a través de los orificios diseñados para penetrar en el muro de mampostería y vuelva a fijar las palomillas a 1,90 cm en cada perno.

Para usar los pernos acodados:



3. Coloque la placa de montaje sobre la pared e inserte las palomillas en los orificios de la pared para montar la placa.

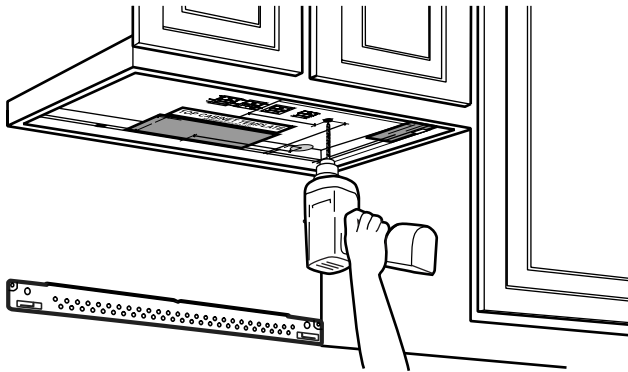
NOTA: Antes de apretar los pernos acodados y los tirafondos, asegúrese de que coincida la línea inferior de la placa de montaje con la línea horizontal de la plantilla posterior para la pared y que la placa de montaje esté correctamente centrada bajo el armario.

PRECAUCIÓN: Evite pillarse los dedos entre la parte posterior de la placa de montaje y la pared.

4. Apriete todos los pernos. Separe la placa de la pared para apretar mejor los pernos.

B2. USE LA PLANTILLA DEL ARMARIO SUPERIOR PARA PREPARARLO

Debe taladrar orificios para los tornillos superiores de soporte y un orificio lo suficientemente grande para pasar por él el cable de alimentación, así como un corte lo suficientemente grande para el adaptador de escape.

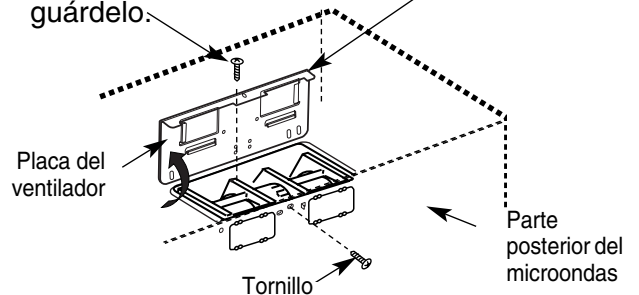


- Lea las instrucciones de la plantilla para el armario superior.
- Colóquela bajo el armario superior.
- Taladre los orificios, siguiendo las instrucciones de la plantilla para el armario superior.

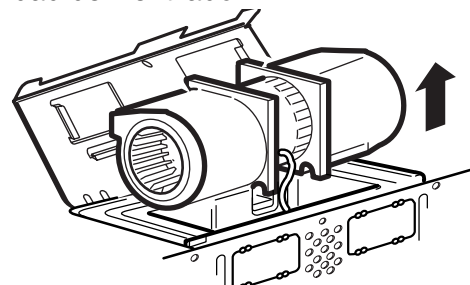
PRECAUCIÓN: Lleve gafas de seguridad cuando taladre orificios en la parte inferior del armario.

B3. ADAPTACIÓN DEL VENTILADOR DEL MICROONDAS AL ESCAPE EXTERIOR SUPERIOR

1. Retire el tornillo que sostiene la placa del ventilador al microondas y guárdelo.
2. Levante la placa del ventilador.



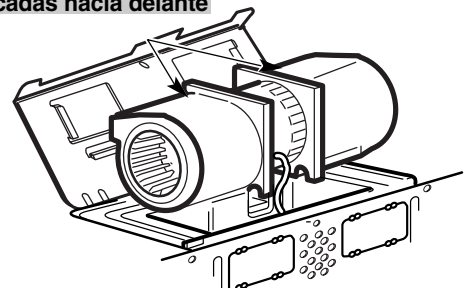
3. Saque con cuidado el ventilador. Los cables se alargarán lo suficiente para permitir que ajuste la unidad del ventilador.



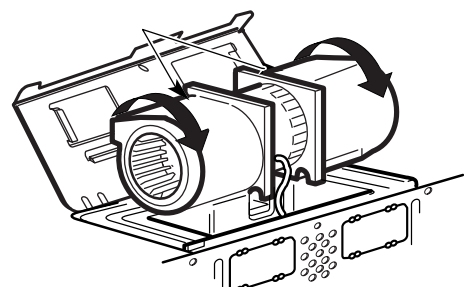
PRECAUCIÓN: No toque la lámina del soplador para evitar el agrietarse y el romperse. Sostenga el caso externo cuando se quita y se re-instala el soplador.

4. Inclíne el ventilador 90° de manera que las aberturas de las aspas del ventilador enfoquen a la parte superior del microondas.

ANTES: Aberturas de las aspas del ventilador enfocadas hacia delante

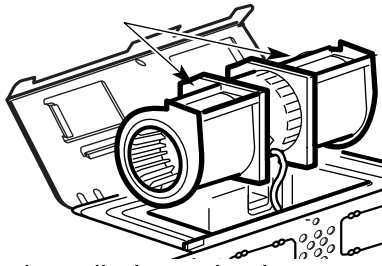


Rodillo

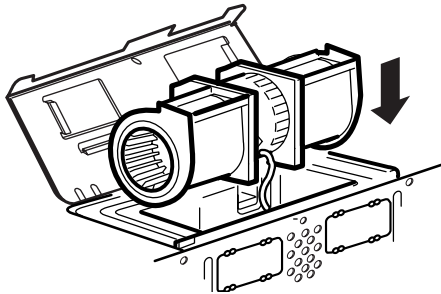


Instrucciones de instalación

DESPUÉS: Aberturas de las aspas del ventilador enfocadas hacia arriba



5. Vuelva a colocar el ventilador en la abertura.

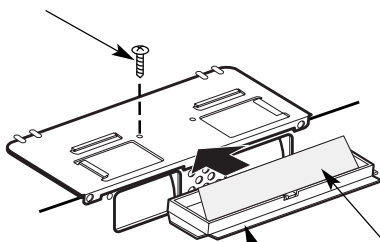


PRECAUCIÓN: No saque el cableado del ventilador ni tire de los cables. Compruebe que los cables no estén pinzados.

6. Fije el ventilador al microondas con el tornillo.

B4. PROCEDIMIENTO DE INSTALACIÓN PARA EL ADAPTADOR DE ESCAPE Y COMPROBACIÓN DEL CORRECTO FUNCIONAMIENTO DEL REGULADOR DE TIRO

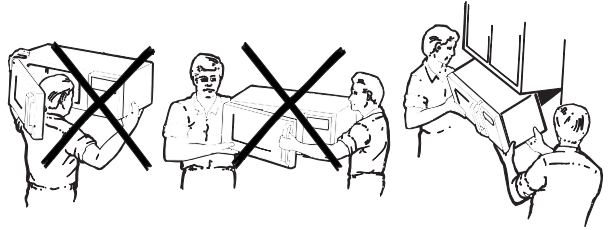
1. Retire los tornillos del panel exterior y guárdelos



Se suministran el adaptador de escape y el regulador de tiro montados en el relleno superior.

- 2.** Deslice el adaptador de escape siguiendo las instrucciones que aparecen en el diagrama.
- 3.** Asegúrese de que los pivotes y la cinta de fijación del regulador de tiro se retiren fácilmente antes de montar el microondas.
- 4.** Levante el regulador de tiro y vuelva a atornillar en la misma dirección que (1).
 - Necesitará hacer algunos ajustes para asegurar una correcta alineación con la conducción de escape de su casa después de instalar el microondas.

B5. MONTE EL MICROONDAS



PARA FACILITAR LA INSTALACIÓN Y MEJORAR LA SEGURIDAD, SE RECOMIENDA QUE EN LA INSTALACIÓN DE ESTE MICROONDAS PARTICIPEN DOS PERSONAS.

IMPORTANTE: No sujete el horno por las asas durante la instalación.

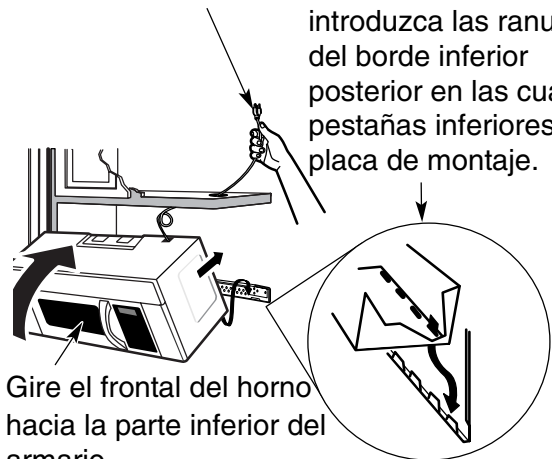
NOTA: Si el armario es metálico, proteja el orificio del cable de alimentación con arandelas de nylon para evitar que éste se pueda cortar.

NOTA: Se recomienda el uso de bloques de relleno si el frontal del armario sobresale bajo el estante inferior del armario.

IMPORTANTE: Si no se utilizan bloques de relleno, puede producirse algún daño en la estructura al forzar los tornillos.

NOTA: Al montar el microondas, pase el cable de alimentación por el orificio en la parte inferior del armario superior. Manténgalo tensado en los pasos 1-3. No lo pince ni lo use para levantar el microondas.

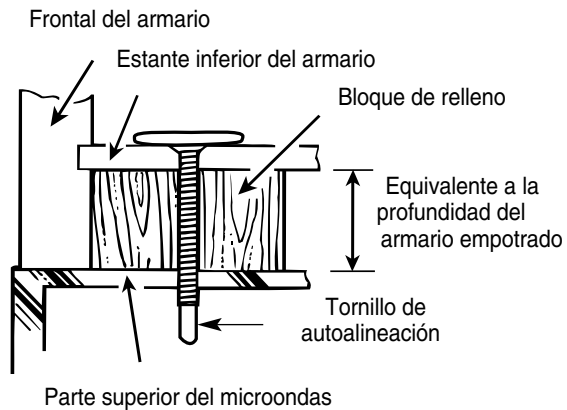
1. Levante el microondas, inclínelo hacia delante e introduzca las ranuras del borde inferior posterior en las cuatro pestañas inferiores de la placa de montaje.



2. Gire el frontal del horno hacia la parte inferior del armario

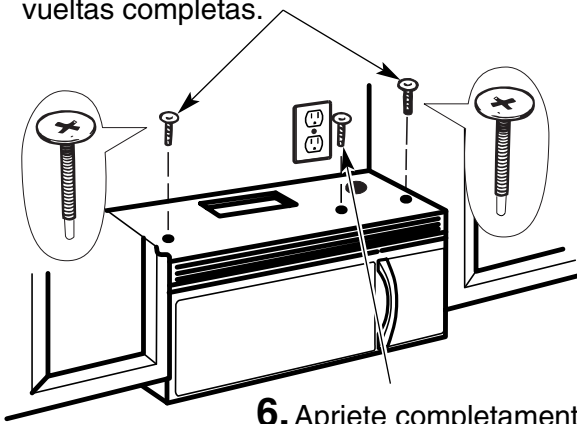
3. Inserte un tornillo de autoalineación a través del orificio central superior del armario. Fije temporalmente el microondas apretando el tornillo al menos **dos giros completos** después de acoplar los cables. Después se apretará por completo. **Mantenga tensado el cable de alimentación. No pince el cable, especialmente si se nivela con la parte inferior del armario.**

B5. MONTE EL MICROONDAS (continuación)



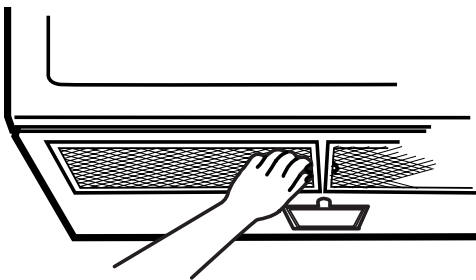
4. Fije el microondas al armario superior.

5. Inserte dos tornillos de autoalineación a través de los orificios exteriores superiores del armario. Apriete cada tornillo dos vueltas completas.



6. Apriete completamente el tornillo central.

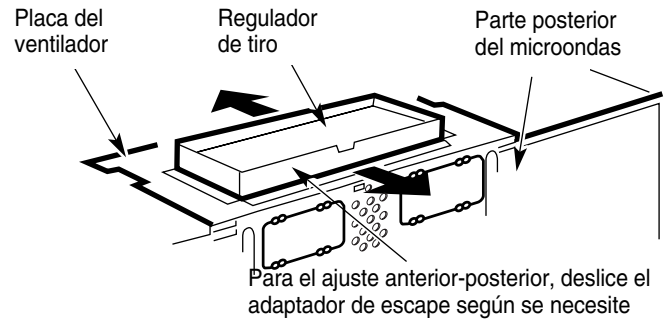
7. Apriete los dos tornillos exteriores a la parte superior del microondas. (Cuando apriete los tornillos, sujete el microondas contra la pared y el armario superior.)



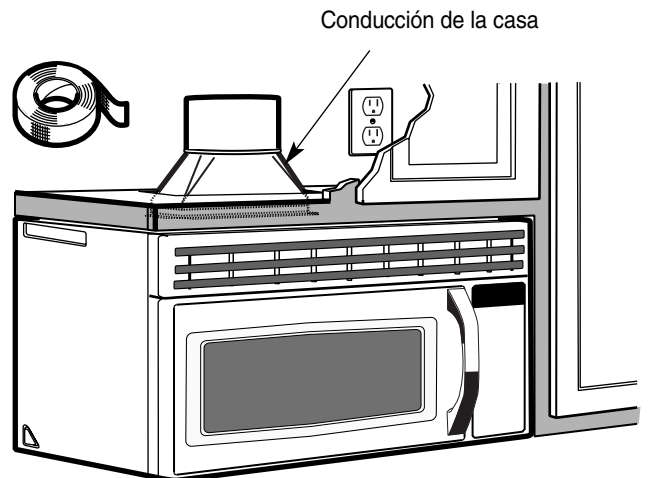
8. Instale los filtros de grasa. Consulte el manual del usuario que se suministra con el microondas.

B6. AJUSTE EL ADAPTADOR DE ESCAPE

Abra el armario superior y ajuste el adaptador de escape para conectarlo a la conducción de la casa.



B7. CONEXIÓN DE LAS CONDUCCIONES



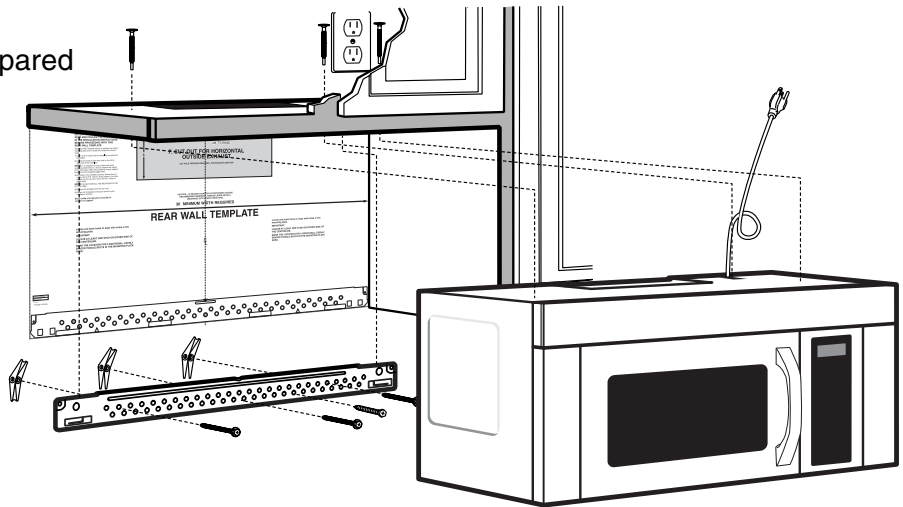
1. Baje la conducción de la casa para conectarla al adaptador de escape.

2. Selle las juntas de las conducciones de escape con cinta aislante.

C. ESCAPE POSTERIOR AL EXTERIOR (Conducción horizontal)

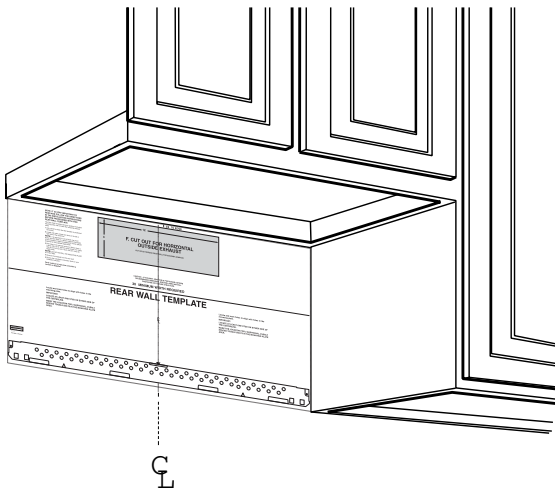
VISIÓN GENERAL DE LA INSTALACIÓN

- C1. Prepare la pared posterior
- C2. Acople la placa de montaje a la pared
- C3. Prepare el armario superior
- C4. Ajuste el ventilador
- C5. Monte el microondas



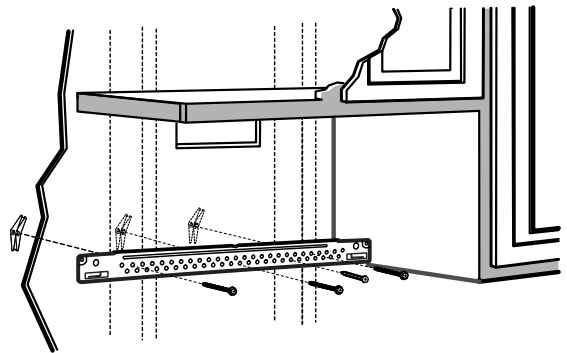
C1. PREPARACIÓN DE LA PARED POSTERIOR PARA EL ESCAPE POSTERIOR AL EXTERIOR

Debe cortar una abertura en la pared posterior para el escape al exterior.



- Lea las instrucciones de la plantilla para la pared posterior.
- Fíjela a la pared posterior.
- Corte la abertura, siguiendo las instrucciones de la plantilla para la pared posterior.

C2. FIJE LA PLACA DE MONTAJE A LA PARED

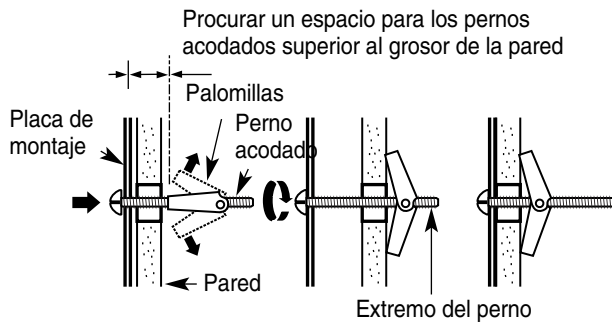


Acople la placa a la pared mediante los pernos acodados. Se debe usar al menos un tirafondos para la fijación la placa al entramado de la pared.

1. Retire las palomillas de los pernos.
2. Inserte los pernos en la placa de montaje a través de los orificios diseñados para penetrar en el muro de mampostería y vuelva a fijar las palomillas a 1,90 cm en cada perno.

C2. FIJE LA PLACA DE MONTAJE A LA PARED (continuación)

Para usar los pernos acodados:



3. Coloque la placa de montaje sobre la pared e inserte las palomillas en los orificios de la pared para montar la placa.

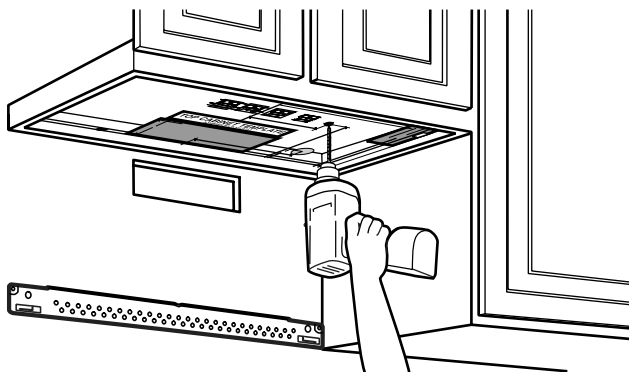
NOTA: Antes de apretar los pernos acodados y los tirafondos, asegúrese de que coincida la línea inferior de la placa de montaje con la línea horizontal de la plantilla posterior para la pared y que la placa de montaje esté correctamente centrada bajo el armario.

PRECAUCIÓN: Evite pillarse los dedos entre la parte posterior de la placa de montaje y la pared.

4. Apriete todos los pernos. Separe la placa de la pared para apretar mejor los pernos.

C3. USE LA PLANTILLA DEL ARMARIO SUPERIOR PARA PREPARARLO

Debe taladrar orificios para los tornillos superiores de soporte y un orificio lo suficientemente grande para pasar por él el cable de alimentación.



- Lea las instrucciones de la plantilla para el armario superior.
- Colóquela bajo el armario superior.
- Taladre los orificios, siguiendo las instrucciones de la plantilla para el armario superior.

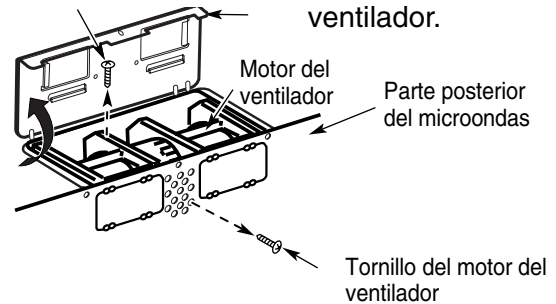
PRECAUCIÓN: Lleve gafas de seguridad cuando taladre orificios en la parte inferior del armario.

C4. ADAPTACIÓN DEL VENTILADOR DEL MICROONDAS AL ESCAPE EXTERIOR POSTERIOR

1. Retire el tornillo que sostiene la placa del ventilador al microondas y guárdelo.

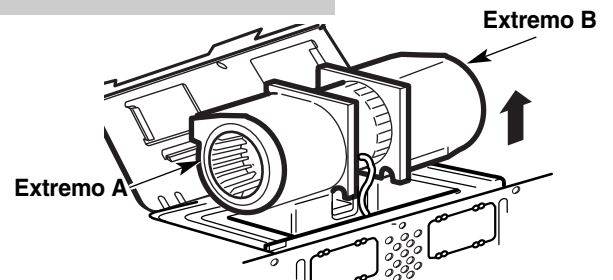
Tornillo del motor del ventilador.

2. Levante la placa del ventilador.



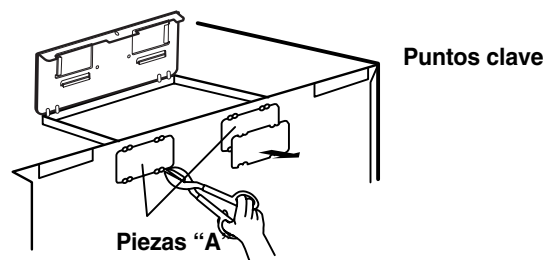
3. Saque con cuidado el ventilador. Los cables se alargarán lo suficiente para permitir que ajuste la unidad del ventilador.

ANTES: Aberturas de las aspas del ventilador enfocadas hacia delante



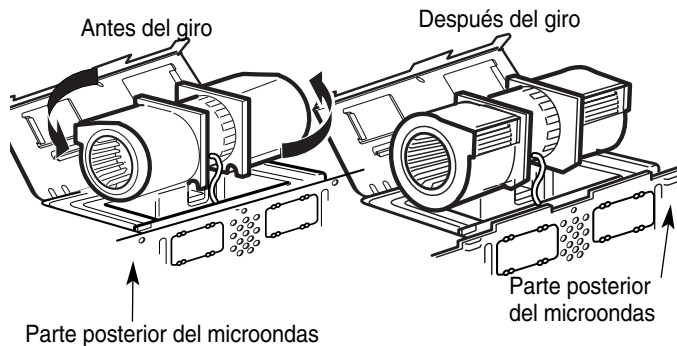
PRECAUCIÓN: No toque la lámina del soplador para evitar el agrietarse y el romperse. Sostenga el caso externo cuando se quita y se re-instala el soplador.

4. Retire las piezas "A" con tijeras o tenazas



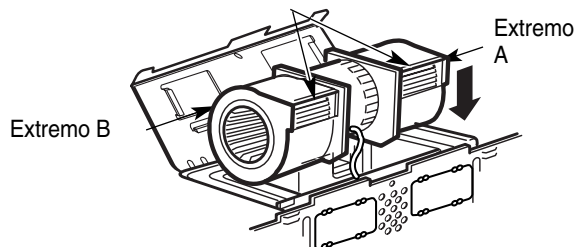
5. Gire el ventilador 180° en el sentido contrario a las agujas del reloj.

Instrucciones de instalación



6. Vuelva a colocar el ventilador en la abertura.

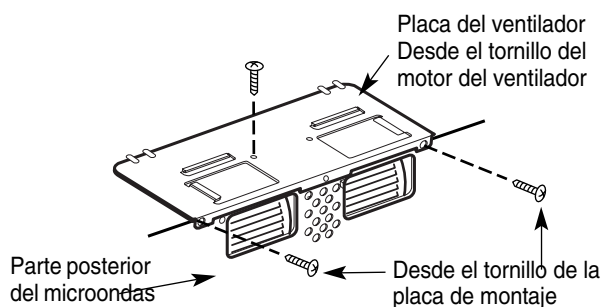
DESPUÉS: Aberturas de las aspas del ventilador enfocadas hacia atrás



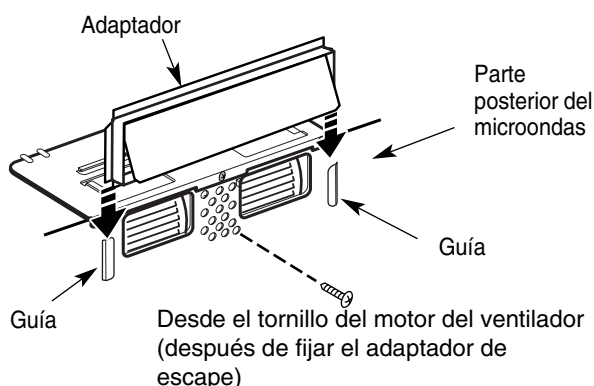
PRECAUCIÓN: No saque el cableado del ventilador ni tire de los cables. Compruebe que los cables no estén pinzados.

NOTA: Las aberturas del escape del ventilador deben coincidir con las aberturas de escape de la parte posterior del microondas.

7. Fije el ventilador al microondas con el tornillo.

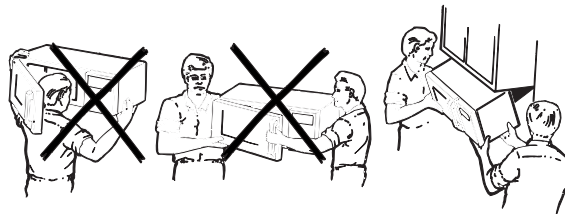


8. Fije el adaptador de escape a la parte posterior del microondas deslizando por las guías situadas en la parte superior central de la parte trasera del microondas.



Empuje con firmeza hasta que llegue a las pestañas inferiores de cierre. Asegúrese de que la bisagra del regulador de tiro esté instalada en la parte superior y que el regulador gire con facilidad.

C5. MONTE EL MICROONDAS



PARA FACILITAR LA INSTALACIÓN Y MEJORAR LA SEGURIDAD, SE RECOMIENDA QUE EN LA INSTALACIÓN DE ESTE MICROONDAS PARTICIPEN DOS PERSONAS.

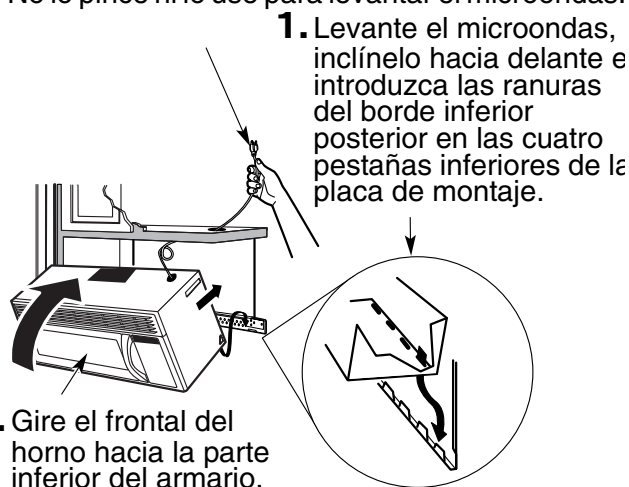
IMPORTANTE: No sujete el horno por las asas durante la instalación.

NOTA: Si el armario es metálico, proteja el orificio del cable de alimentación con arandelas de nylon para evitar que éste se pueda cortar.

NOTA: Se recomienda el uso de bloques de relleno si el frontal del armario sobresale bajo el estante inferior del armario.

IMPORTANTE: Si no se utilizan bloques de relleno, puede producirse algún daño en la estructura al forzar los tornillos.

NOTA: Al montar el microondas, pase el cable de alimentación por el orificio en la parte inferior del armario superior. Manténgalo tensado en los pasos 1-3. No lo pince ni lo use para levantar el microondas.



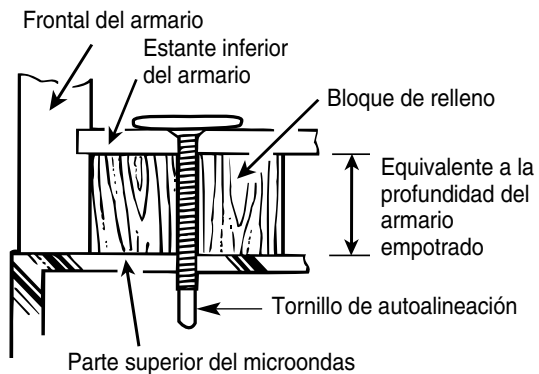
1. Levante el microondas, inclínelo hacia delante e introduzca las ranuras del borde inferior posterior en las cuatro pestañas inferiores de la placa de montaje.

2. Gire el frontal del horno hacia la parte inferior del armario.

3. Inserte un tornillo de autoalineación a través del orificio central superior del armario. Fije temporalmente el microondas apretando el tornillo al menos **dos vueltas completas** después de acoplar los cables. Después se apretará por completo. **Mantenga tensado el cable de alimentación. No pince el cable, especialmente si se nivela con la parte inferior del armario.**

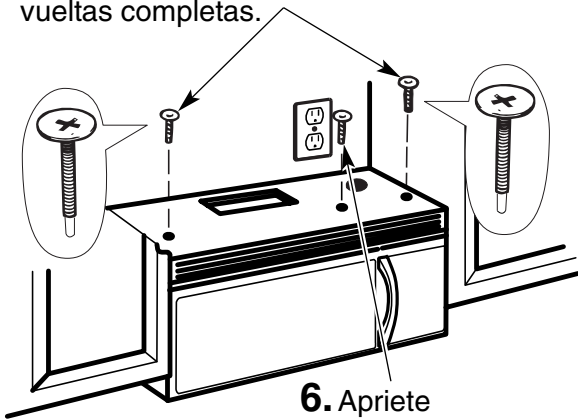
C5. MONTE EL MICROONDAS **(continuación)**

Instale los filtros de grasa. Consulte el manual del usuario que se suministra con el microondas.



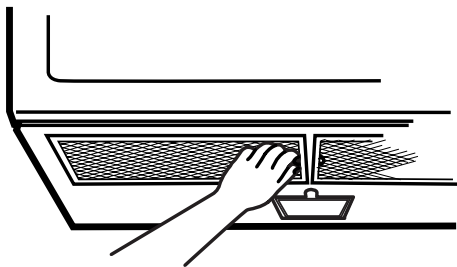
4. Fije el microondas al armario superior.

5. Inserte dos tornillos de autoalineación a través de los orificios exteriores superiores del armario. Apriete cada tornillo dos vueltas completas.



6. Apriete completamente el tornillo central.

7. Apriete los dos tornillos exteriores a la parte superior del microondas. (Cuando apriete los tornillos, sujete el microondas contra la pared y el armario superior.)



8. Instale los filtros de grasa. Consulte el manual del usuario que se suministra con el microondas.

ANTES DE UTILIZAR EL MICROONDAS

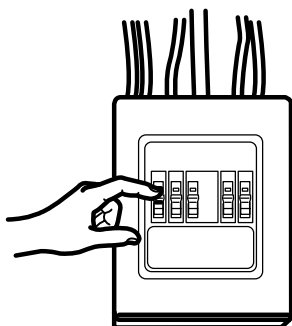
1. Compruebe que el microondas se haya instalado de acuerdo con las instrucciones.



2. Retire todo el material de embalaje del interior del microondas.

3. Instale el plato giratorio y el aro en la cavidad.

4. Conecte la caja de fusibles o vuelva a activarla.

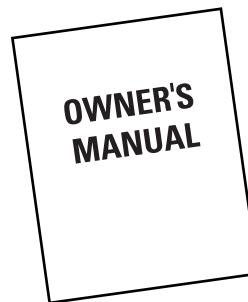


5. Enchufe el cable de alimentación a una toma eléctrica específica de 20 amperios.



Asegúrese de que haya una adecuada toma a tierra antes del uso

6. Lea el manual del usuario.



7. GUARDE LAS INSTRUCCIONES DE INSTALACIÓN PARA REFERENCIA DEL INSPECTOR LOCAL.



NOTA

N.º pieza : 8101P710-60
Formulario : A/08/05
N.º de código : DE68-03141B

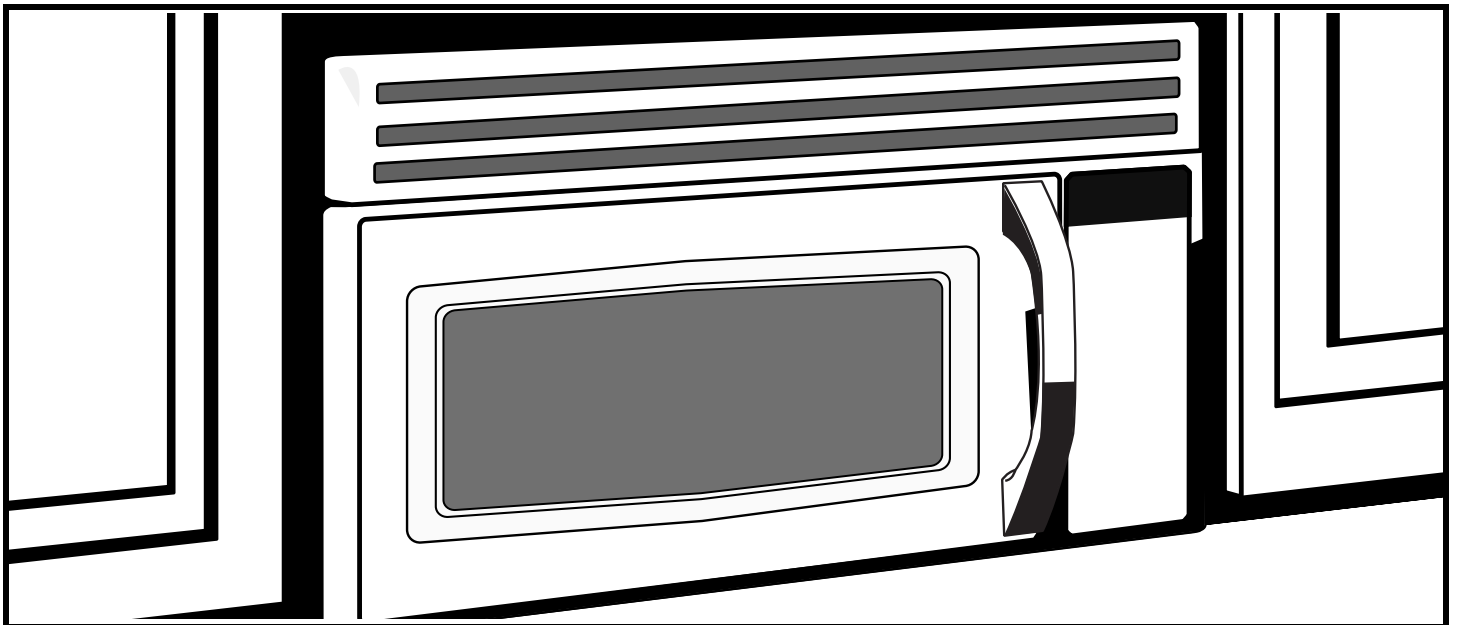
Instructions d'installation

Four à micro-ondes plus grand que la normale

AVANT DE COMMENCER

Veillez lire attentivement et dans leur intégralité les instructions suivantes.

- **IMPORTANT** – Conservez ces instructions en vue de leur utilisation par un contrôleur local.
- **IMPORTANT** – Respectez la réglementation en vigueur.
- **Remarque à l'attention de l'installateur** – Veuillez remettre ces instructions au client.
- **Remarque à l'attention du consommateur** – Veuillez conserver ces instructions en vue d'une utilisation future.
- **Niveau de technicité requis** – L'installation de cet appareil requiert les connaissances mécaniques et électriques de base.
- L'installateur est responsable de la bonne installation de cet appareil.
- Les défaillances résultant d'une installation incorrecte ne sont pas couvertes par la garantie.



A LIRE ATTENTIVEMENT : CONSERVEZ SOIGNEUSEMENT CES INSTRUCTIONS.

TABLE DES MATIERES

Généralités

Importantes consignes de sécurité	3
Normes électriques	3
Evacuation	4, 5
Dommmages – Transport/Installation	6
Pièces fournies	6
Outils nécessaires.....	7
Espace d'assemblage	7

Manuel d'installation étape par étape

Positionnement de la plaque de montage	8–10
Retrait de la plaque de montage	8
Recherche des montants de la cloison	8
Positionnement de la plaque murale	9
Alignement de la plaque murale.....	10

Types d'installation.....11–21

A Recyclage de l'air.....	12–13
Fixez la plaque de montage au mur.....	12
Préparation de l'armoire supérieure.....	12
Montez le four à micro-ondes.....	13

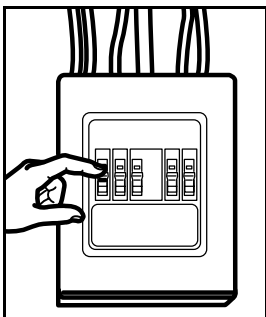
B Evacuation extérieure par le haut	14-17
Fixez la plaque de montage au mur.....	14
Préparation de l'armoire supérieure.....	15
Réglez le ventilateur.....	15
Test du registre	16
Montez le four à micro-ondes.....	16
Réglez l'adaptateur d'évacuation	17
Branchement des conduits.....	17

C Evacuation extérieure par l'arrière	18–21
Préparation du mur arrière	18
Fixez la plaque de montage au mur ..	18, 19
Préparation de l'armoire supérieure	19
Réglez le ventilateur	19, 20
Montez le four à micro-ondes.....	20, 21

Avant d'utiliser votre four à micro-ondes 22

IMPORTANTES CONSIGNES DE SECURITE

Ce produit doit être branché à une prise secteur à fiche tripolaire mise à la terre. L'installateur doit vérifier la continuité de la mise à la terre au niveau de la prise murale avant de commencer l'installation afin de s'assurer que la prise est correctement mise à la terre. Si tel n'est pas le cas, ou si la prise ne respecte pas les normes électriques indiquées (voir NORMES ELECTRIQUES), vous devez contacter un électricien agréé pour mettre la prise aux normes.



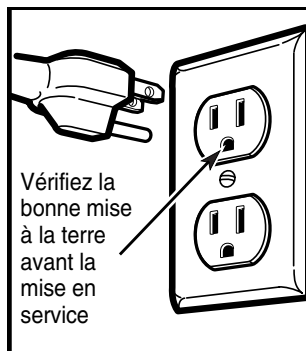
ATTENTION : Pour votre sécurité, retirez les fusibles ou arrêtez le disjoncteur avant de commencer l'installation pour éviter tout choc électrique grave.

ATTENTION : Pour votre sécurité, la surface de montage doit être capable de supporter le poids de l'armoire, ainsi que celui du produit (59 livres) et de son futur contenu (jusqu'à 50 livres), ce qui représente un poids supplémentaire total de 109 livres.

ATTENTION : Pour votre sécurité, ce produit ne doit pas être installé dans certaines configuration de cuisine comme un îlot ou un bras de cuisine. Il doit être fixé à une armoire supérieure ET à un mur.

REMARQUE : Pour une plus grande simplicité d'installation et pour votre sécurité, il est recommandé d'être deux pour installer ce produit.

A LIRE ATTENTIVEMENT : POUR VOTRE SECURITE, CET APPAREIL DOIT ETRE CORRECTEMENT MIS A LA TERRE POUR EVITER TOUT RISQUE DE CHOC ELECTRIQUE GRAVE.



Le cordon d'alimentation de ce produit est équipé d'une prise à fiche tripolaire (mise à la terre) qui doit être branchée à une prise murale tripolaire standard (mise à la terre) pour limiter les risques de choc électrique.

Faites vérifier la prise murale et le circuit électrique par un électricien agréé pour vous assurer que la prise est correctement mise à la terre.

Si vous ne disposez que d'une prise bipolaire, il est très important qu'un électricien agréé la remplace par une prise tripolaire.

EN AUCUNE CIRCONSTANCE VOUS NE DEVEZ COUPER, PLIER OU RETIRER L'UNE DES FICHES DE LA PRISE DU CORDON D'ALIMENTATION. N'UTILISEZ PAS DE RALLONGE AVEC CET APPAREIL.

NORMES ELECTRIQUES

Le régime nominal du produit est le suivant : 120 volts CA, 60 hertz,

-MMV4205, AMV5206, MMV5207, JMV8208 (Etats-Unis):
14.8 amps et 1.7 kilowatts.

-MMV5207, JMV8208 (Canada) / AMV6167:
13 amps et 1.5 kilowatts.

-JMV8166/JMV9169:
14.5 amps et 1.6 kilowatts.

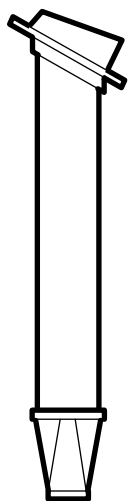
Ce produit doit être branché à un circuit d'alimentation de la tension et de la fréquence appropriés. La dimension des fils doit être conforme aux spécifications de la NEC (National Electrical Code) ou aux normes en vigueur pour ce régime nominal en kilowatts. Le cordon d'alimentation et la prise doivent être raccordés à une prise mise à la terre de 20 A avec circuit terminal. La prise de courant doit être située dans l'armoire, au-dessus du four à micro-ondes. Cette prise et le circuit d'alimentation doivent être installés par un électricien agréé et être conforme aux spécifications de la NEC (National Electrical Code) et à la réglementation en vigueur.

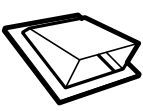


EVACUATION

REMARQUE : Lisez ces deux pages uniquement si vous envisagez une évacuation vers l'extérieur. Si vous envisagez de réinjecter l'air dans la pièce, passez à la page 11.

EVACUATION EXTERIEURE PAR LE HAUT (EXEMPLE UNIQUEMENT)

Le schéma suivant constitue un exemple d'installation du réseau de gaines.

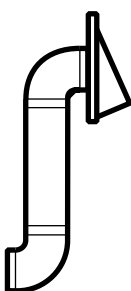


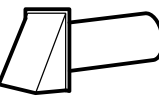


COMPOSITION DES CONDUITS		LONGUEUR EQUIVALENTE	x	NOMBRE UTILISE	=	LONGUEUR EQUIVALENTE
	Chapiteau (toit)	24 pied	x	(1)	=	24 pied
	Conduit droit de 12 pieds (diamètre : 6")	12 pied	x	(1)	=	12 pied
	Raccord rectangulaire-circulaire*	5 pied	x	(1)	=	5 pied
Les longueurs équivalentes de ces pièces ont été calculées d'après des test réels pour une bonne ventilation quel que soit le modèle de hotte utilisé.						Longueur totale = 41 pied

* **IMPORTANT :** En cas d'utilisation d'un raccord rectangulaire-circulaire, les coins inférieurs du registre doivent être ajustés à l'aide des petites cisailles à tôle pour permettre le libre mouvement du registre.

EVACUATION EXTERIEURE PAR L'ARRIERE (EXEMPLE UNIQUEMENT)

Le schéma suivant constitue un exemple d'installation du réseau de gaines.



COMPOSITION DES CONDUITS		LONGUEUR EQUIVALENTE*	x	NOMBRE UTILISE	=	LONGUEUR EQUIVALENTE
	Chapiteau (toit)	40 pied	x	(1)	=	40 pied
	Conduit droit de 3 pieds (3¼" x 10", rectangulaire)	3 pied	x	(1)	=	3 pied
	90° Coude	10 pied	x	(2)	=	20 pied
Les longueurs équivalentes de ces pièces ont été calculées d'après des test réels pour une bonne ventilation quel que soit le modèle de hotte utilisé.						Longueur totale = 63 pied

REMARQUE : Dans le cas d'une évacuation par l'arrière, il est impératif de bien aligner l'évacuation entre les montants du mur, ou de penser lors de la construction à laisser suffisamment de place entre les montants pour y placer une évacuation.

Instructions d'installation

REMARQUE : Si vous êtes amené à installer des tuyaux, notez que la longueur totale du conduit rectangulaire de 3¼" x 10" ou du conduit de 6" de diamètre ne doit pas excéder un équivalent de 140 pieds

Toute ventilation extérieure requiert un CONDUIT D'EVACUATION. Lisez attentivement ce qui suit.

REMARQUE : Il est important que la ventilation installée suive la route la plus directe, avec le moins de coudes possible. Ceci garantit la fluidité de la ventilation et empêche les obturations. **Veillez également à ce que les registres bougent librement et que rien n'obstrue les conduits.**

Branchement de l'évacuation :


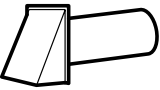


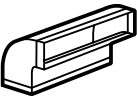
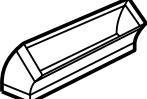
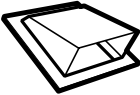

L'évacuation a été prévue pour un conduit rectangulaire standard de 3¼" x 10".

En cas d'utilisation d'un conduit circulaire, un raccord rectangulaire-circulaire doit être utilisé. **N'utilisez pas de conduit d'un diamètre inférieur à 6".**

Longueur maximale du conduit :

Pour la bonne circulation de l'air, la longueur totale du conduit rectangulaire de 3¼" x 10" ou du conduit de 6" de diamètre ne doit pas excéder un équivalent de 140 pieds.

Les coudes, raccords, chapiteaux de toit et de plafonds, etc., présentent une résistance supplémentaire à l'air. Ils équivalent à une section d'un conduit droit dont la longueur est supérieure à leur taille physique réelle. Lors du calcul de la longueur totale des conduits, ajoutez les longueurs équivalentes de tous les raccords à la longueur des sections de conduits droits. Le schéma suivant vous explique comment calculer la longueur totale équivalente des conduits d'évacuation à partir de la longueur équivalente en pieds de conduits traditionnels.

COMPOSITION DES CONDUITS		LONGUEUR EQUIVALENTE	x	NOMBRE UTILISE	=	LONGUEUR EQUIVALENTE
	Raccord rectangulaire-circulaire*	5 pied	x	()	=	pieds
	Chapiteau (mur)	40 pied	x	()	=	pieds
	90° Coude	10 pied	x	()	=	pieds
	45° Coude	5 pied	x	()	=	pieds
	90° Coude	25 pied	x	()	=	pieds
	45° Coude	5 pied	x	()	=	pieds
	Chapiteau (toit)	24 pied	x	()	=	pieds
	Conduit droit rectangulaire de 3¼" x 10" ou circulaire de 6"	1 pied	x	()	=	pieds
Longueur totale des conduits					=	pieds

Instructions d'installation



*** IMPORTANT :** En cas d'utilisation d'un raccord rectangulaire-circulaire, les coins inférieurs du registre doivent être ajustés à l'aide des petites cisailles à tôle pour permettre le libre

mouvement du registre.


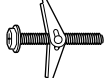


Les longueurs équivalentes de ces pièces ont été calculées d'après des test réels pour une bonne ventilation quel que soit le modèle de hotte utilisé.

DOMMAGES – TRANSPORT/ INSTALLATION

- **Si le matériel est endommagé lors du transport**, retournez-le au magasin où vous l'avez acheté pour qu'il soit réparé ou échangé.
- **Si le matériel est endommagé par le client**, sa réparation ou son remplacement est de la responsabilité du client.
- **Si le matériel est endommagé par l'installateur (autre que le client)**, sa réparation ou son remplacement doit faire l'objet d'un arrangement entre les deux parties.

PIECES FOURNIES





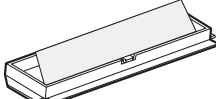
QUINCAILLERIE

PIECE	QUANTITE
 Vis à bois (1/4" x 2")	1
 Boulons à ailette (et écrous à oreilles) (3/16" x 3")	3
 Vis de mécanique à autoréglage (1/4"-28 x 3 1/4")	3
 Guide en nylon (pour armoires métalliques)	2

Vous trouverez toutes ces pièces dans un paquet livré avec l'appareil. Vérifiez qu'il ne manque aucune pièce.

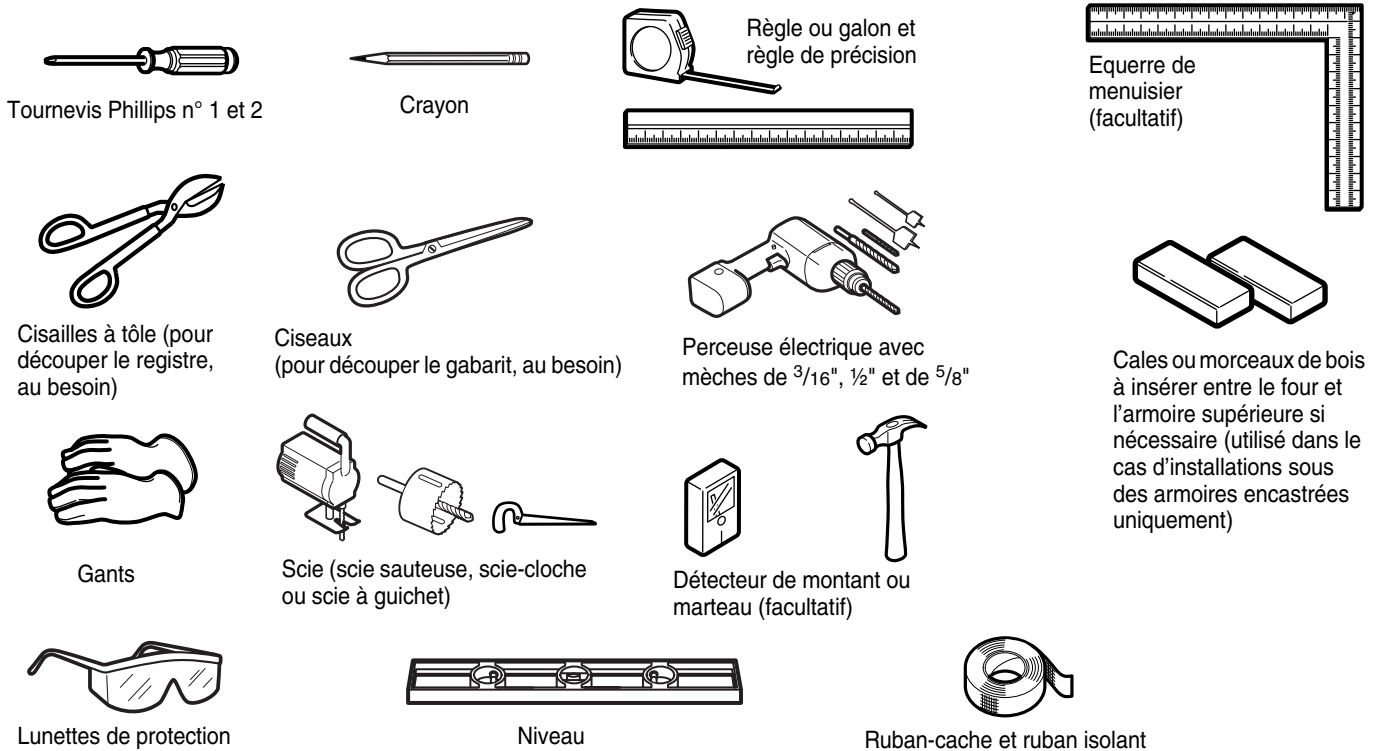
REMARQUE : Des pièces supplémentaires sont également fournies.

PIECES SUPPLEMENTAIRES

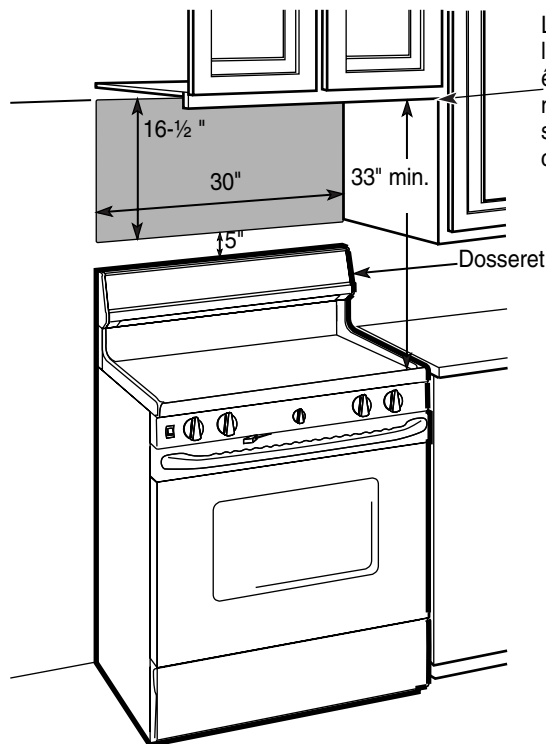
PIECE	QUANTITE
GABARIT DE L'ARMOIRE SUPERIEURE 	Gabarit de l'armoire supérieure 1
GABARIT DU MUR ARRIERE 	Gabarit du mur arrière 1
 Instructions d'installation	Instructions d'installation 1
	Filtres à graisse emballés séparément 2
	Adaptateur d'évacuation 1

Instructions d'installation

OUTILS NECESSAIRES



ESPACE D'ASSEMBLAGE



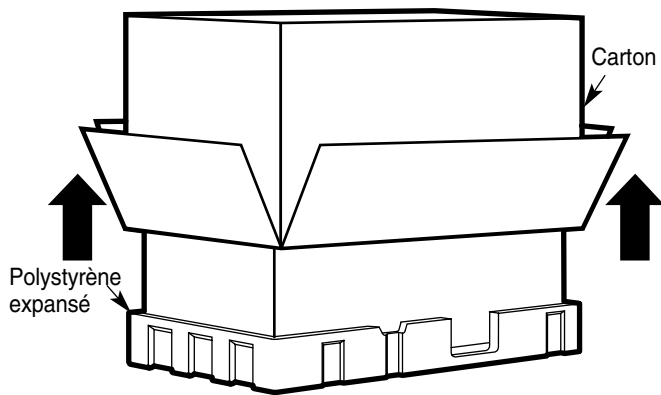
REMARQUES :

- Prévoir un espace libre de 30" de large entre les armoires.
- Ce four à micro-ondes fait partie de la gamme des fours à micro-ondes de plus de 33" de large.
- Si vous prévoyez une évacuation extérieure, reportez-vous à la section Evacuation pour préparer les conduits d'évacuation.
- **Si vous installez le four à micro-ondes sous des armoires lisses, veillez à respecter les instructions relatives au gabarit de l'armoire supérieure afin de prévoir un dégagement adéquat pour le cordon d'alimentation.**

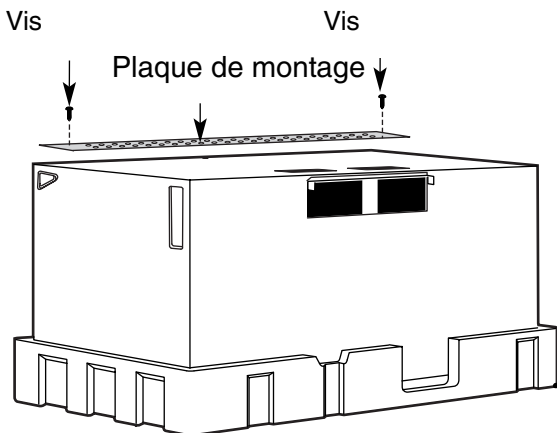
1. POSITIONNEMENT DE LA PLAQUE DE MONTAGE

A. DEBALLAGE DU FOUR A MICRO-ONDES/DE LA PLAQUE DE MONTAGE

1. Sortez les instructions d'installation, l'adaptateur d'évacuation, les filtres, le plateau en verre et le petit sac de pièces de quincaillerie. N'enlevez pas le polystyrène expansé protégeant l'avant du four.
2. Repliez complètement les 4 rabats contre les parois du carton. Retournez ensuite doucement le carton et le four. Le four doit être calé dans le polystyrène expansé.



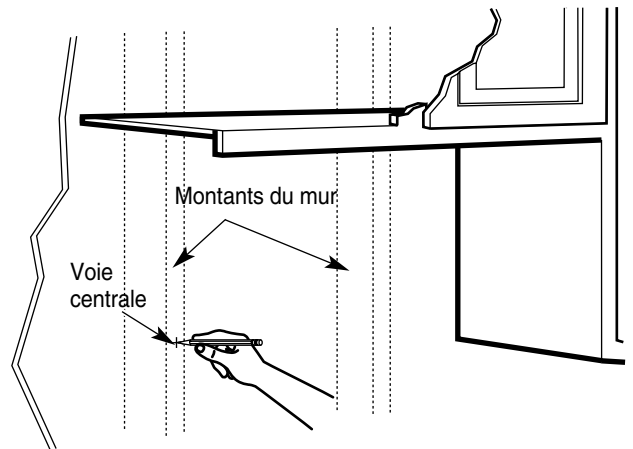
3. Tirez le carton vers le haut pour dégager le four.
4. Retirez puis jetez les sacs plastique.



5. Retirez les deux vis de la plaque de montage. Cette plaque servira de gabarit pour le mur arrière et pour le montage.

REMARQUE : Vous devrez rutiliser deux vis l'emplacement d'origine du boîtier exterieur aprs le retrait de la plaque de fixation.

B. RECHERCHE DES MONTANTS DU MUR



1. Vous pouvez rechercher les montants de l'une des manières suivantes :

A. A l'aide d'un détecteur de parois, appareil magnétique qui repère les clous.

OU

B. A l'aide d'un marteau, en tapant légèrement sur la paroi jusqu'à émission d'un son plein. Ceci indique la présence d'un montant.

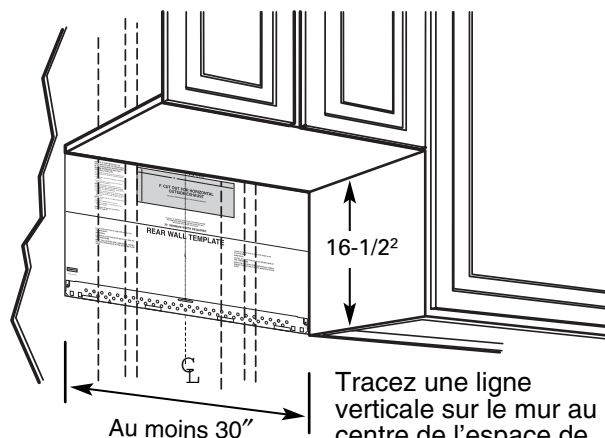
2. Une fois les montants repérés, trouvez-en le centre en grattant le mur avec un ongle pour trouver les bords des montants. Tracez un repère entre les deux bords. Le centre de deux montants adjacents doit être situé à 16" ou 24" de ce repère.

3. Tracez une ligne vers le bas partant du centre de chaque montant.

LE FOUR A MICRO-ONDES DOIT ETRE FIXE AU MOINS A L'UN DES MONTANTS.

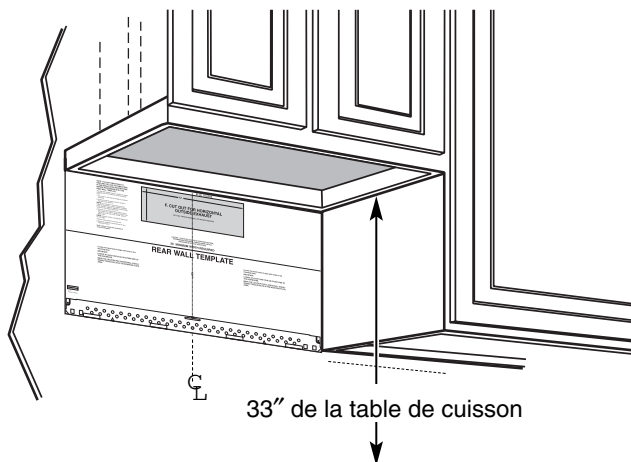
C. POSITIONNEMENT DE LA PLAQUE MURALE SOUS L'ARMOIRE

Emplacement de la plaque – Sous une armoire lisse



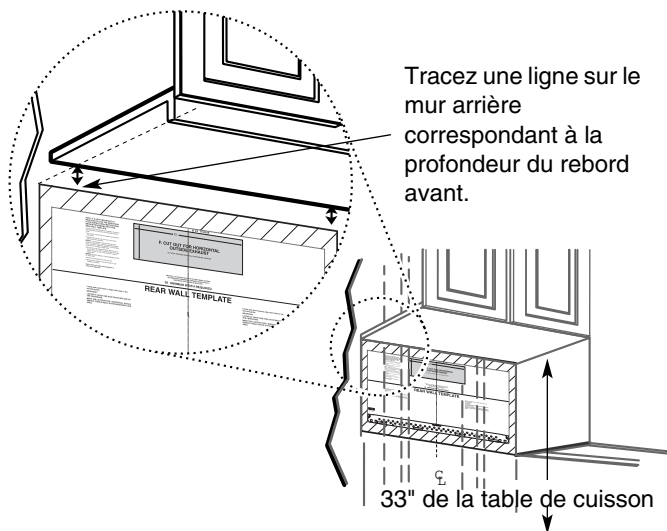
Tracez une ligne verticale sur le mur au centre de l'espace de 30" de large.
Scotchez le gabarit pour le mur arrière sur le mur correspondant à l'axe et étant en contact avec la base de l'armoire.

Emplacement de la plaque – Sous une armoire encastrée avec renforcement



Tracez une ligne verticale sur le mur au centre de l'espace de 30".
Scotchez le gabarit pour le mur arrière sur le mur correspondant à l'axe et étant en contact avec la base du pourtour de l'armoire.

Emplacement de la plaque – Sous une armoire encastrée avec rebord avant



Tracez une ligne sur le mur arrière correspondant à la profondeur du rebord avant.

Sur certaines armoires, des garnitures peuvent gêner l'installation du four à micro-ondes. Retirez-les pour installer le four correctement et le mettre de niveau.

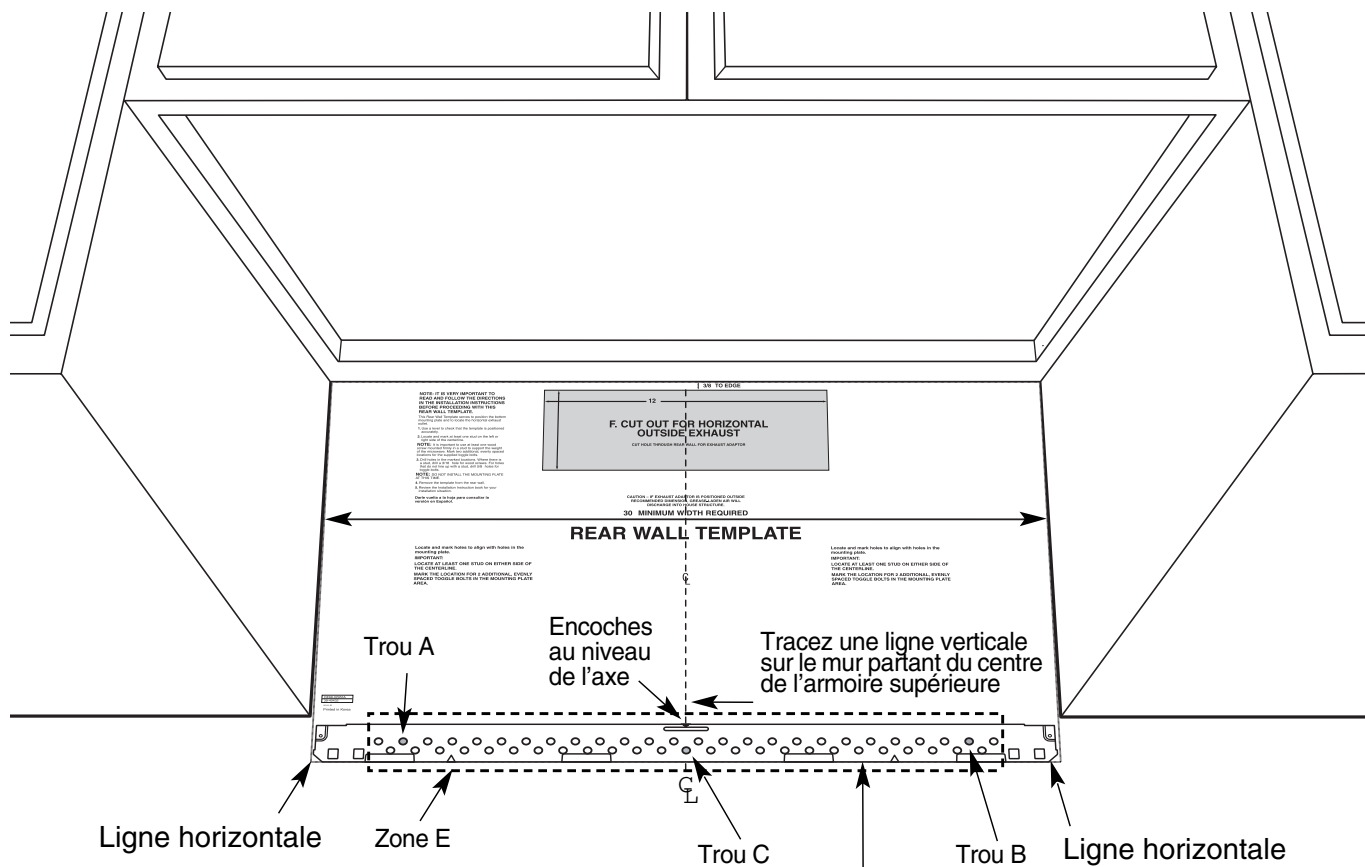
LE FOUR A MICRO-ONDES DOIT ETRE DE NIVEAU.

Utilisez un niveau pour vous assurer que le fond de l'armoire est de niveau.

Si les armoires ne possèdent qu'un rebord avant, sans pourtour latéral ou arrière, installez la plaque de montage en dessous à une distance équivalente à la profondeur de ce rebord. Le four à micro-ondes sera ainsi de niveau.

1. Mesurez la profondeur intérieure du rebord avant.
2. Tracez une ligne horizontale sur le mur arrière, sous l'armoire, à une distance égale à la profondeur intérieure du rebord avant.
3. Pour ce type d'installation uniquement – avec rebord avant, alignez les tiges métalliques avec cette ligne horizontale sans toucher le fond de l'armoire, comme indiqué à l'étape D.

D. ALIGNEMENT DE LA PLAQUE MURALE



Tracez une ligne horizontale sur le mur partant de la base du "gabarit pour le mur arrière".

ATTENTION : Portez des gants pour ne pas vous couper les doigts sur les arêtes vives.

1. Tracez une ligne verticale sur le mur au centre de l'espace de 30" de large.
2. Tracez une ligne verticale sur le mur à la base du "gabarit pour le mur arrière".
3. Percez des trous de 5/8" pour les boulons ailettes trois emplacements (trou A, trou B, trou C), mais si le repère du trou est le même que celui du montant, percez un trou de 3/16" pour les vis bois. En d'autres termes, un boulon à ailettes ne peut pas être utilisé à l'emplacement du montant.
REMARQUE : NE MONTEZ PAS LA PLAQUE POUR L'INSTANT.

REMARQUE : Les trous A, B et C se trouvent dans la zone E. Si aucun d'eux ne se trouve sur un montant, trouvez un montant dans la zone E et tracez un quatrième repère que vous alignerez avec le montant. Il est important de **fixer solidement dans un montant au moins une vis à bois** pour que le poids du four à micro-ondes soit correctement supporté. **Mettez la plaque de montage de côté.**

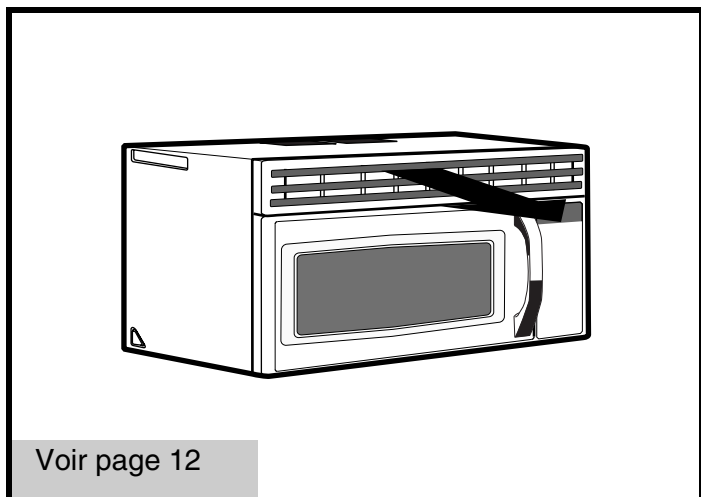
2. TYPES D'INSTALLATION (Choisissez A, B ou C)

Ce four à micro-ondes s'adapte sur les trois systèmes de ventilation suivants :

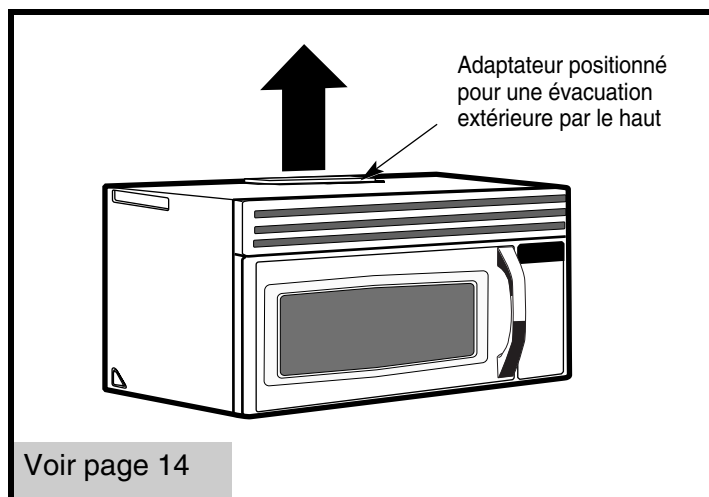
- A. **Recyclage de l'air (système sans conduit non ventilé)**
- B. **Evacuation extérieure par le haut (conduit vertical)**
- C. **Evacuation extérieure par l'arrière (conduit horizontal)**

REMARQUE : Ce four à micro-ondes est expédié monté pour "Recyclage de l'air". Un raccord de ventilation est fourni : il est fixé à l'appareil. Choisissez le type de ventilation requis pour votre installation et reportez-vous à la section correspondante.

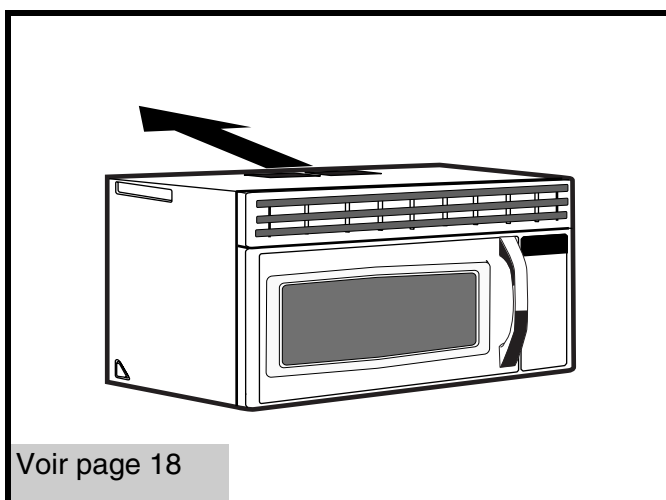
A. RECYCLAGE DE L'AIR (SYSTEME SANS CONDUIT NON VENTILE)



B. EVACUATION EXTERIEURE PAR LE HAUT (CONDUIT VERTICAL)



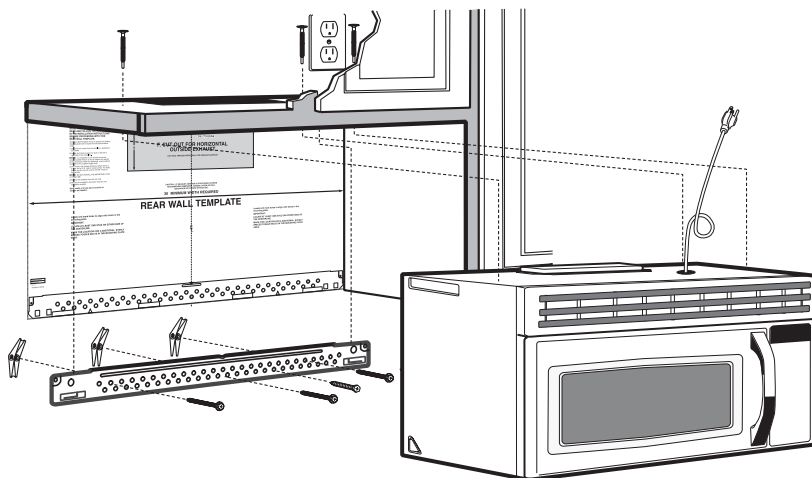
C. EVACUATION EXTERIEURE PAR L'ARRIERE (CONDUIT HORIZONTAL)



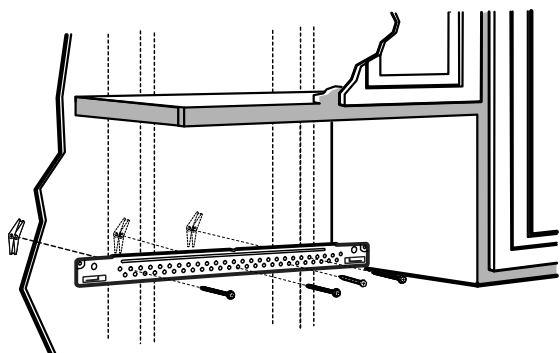
A. RECYCLAGE DE L'AIR (système sans conduit non ventilé)

PRESENTATION DE L'INSTALLATION

- A1. Fixez la plaque de montage au mur
- A2. Préparez l'armoire supérieure
- A3. Montez le four à micro-ondes



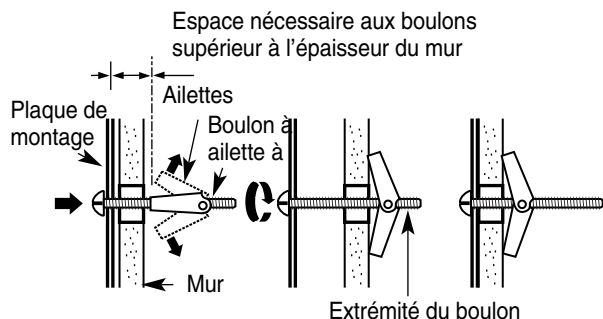
A1. FIXEZ LA PLAQUE DE MONTAGE AU MUR



Fixez la plaque au mur à l'aide des boulons à ailette. Au moins une des vis à bois doit servir à fixer la plaque sur un montant du mur.

1. Retirez les ailettes des boulons.
2. Insérez les boulons dans les trous de la plaque de montage prévus pour être percés dans la cloison sèche, puis remettez les ailettes jusqu'à $\frac{3}{4}$ " sur chaque boulon.

Pour utiliser les boulons à ailette :



3. Placez la plaque de montage contre le mur et insérez les écrous à ailette dans les trous prévus à cet effet.

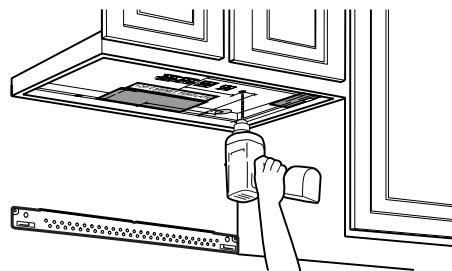
REMARQUE : Avant de serrer les boulons à ailette et les vis à bois, veillez à faire coïncider la ligne du bas de la plaque de montage avec la ligne horizontale du "gabarit du mur arrière" et assurez-vous que la plaque de montage est correctement centrée sous l'armoire.

ATTENTION : Veillez à ne pas vous pincer les doigts entre l'arrière de la plaque de montage et le mur.

4. Serrez tous les boulons. Décollez la plaque du mur pour faciliter le serrage des boulons.

A2. UTILISEZ LE GABARIT DE L'ARMOIRE SUPERIEURE POUR PREPARER CETTE ARMOIRE

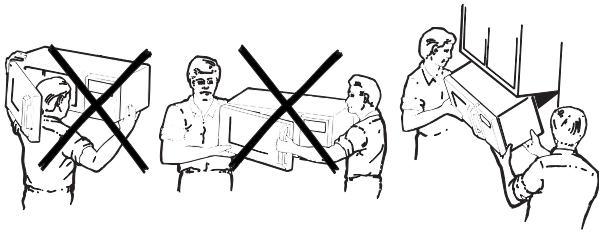
Vous devrez percer des trous pour les vis soutenant le haut du four et un trou suffisamment large pour le passage du cordon d'alimentation.



- Consultez les instructions relatives au GABARIT DE L'ARMOIRE SUPERIEURE.
- Collez-les sous l'armoire supérieure.
- Percez les trous nécessaires conformément aux instructions relatives au GABARIT DE L'ARMOIRE SUPERIEURE.

ATTENTION : Portez des lunettes de protection lorsque vous percez des trous dans le fond de l'armoire.

A3. MONTEZ LE FOUR A MICRO-ONDES



POUR UNE PLUS GRANDE SIMPLICITÉ D'INSTALLATION ET POUR VOTRE PROPRE SECURITE, IL EST RECOMMANDE D'ÊTRE **DEUX POUR INSTALLER CE PRODUIT.**

IMPORTANT : N'utilisez pas de griffe de levage ni de poignée au cours de l'installation.

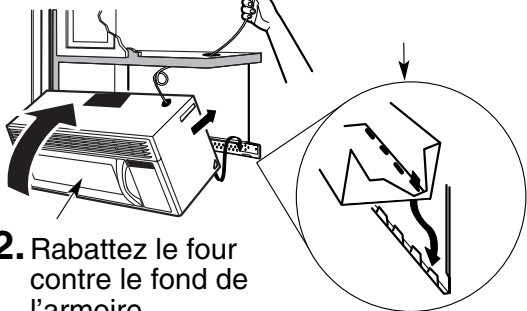
REMARQUE : Si votre armoire est métallique, placez le guide en nylon autour du trou prévu pour le passage du cordon d'alimentation pour que ce dernier ne se coupe pas.

REMARQUE : Il est recommandé d'utiliser des cales si la façade de l'armoire dépasse du fond de l'armoire.

IMPORTANT : Si vous n'utilisez pas de cales, vous risquez d'endommager l'armoire par un serrage des vis.

REMARQUE : Lorsque vous montez le four à micro-ondes, faites passer le cordon d'alimentation dans le trou situé dans le fond de l'armoire supérieure. Tenez le cordon d'alimentation des étapes 1 à 3. Ne le pincez pas et ne tirez pas le four par ce cordon.

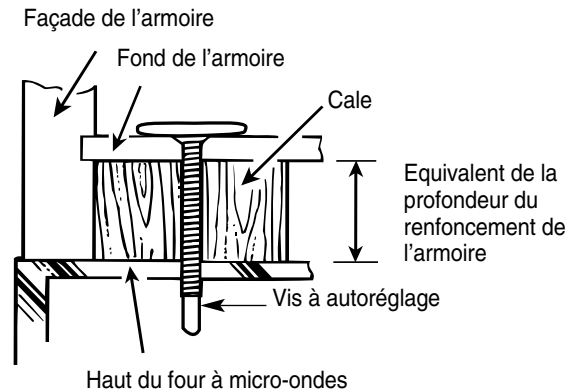
1. Soulevez le four à micro-ondes, inclinez-le vers l'avant puis emboîtez les encoches situées au bas de la face arrière du four dans les quatre pattes inférieures de la plaque de montage.



2. Rabattez le four contre le fond de l'armoire.

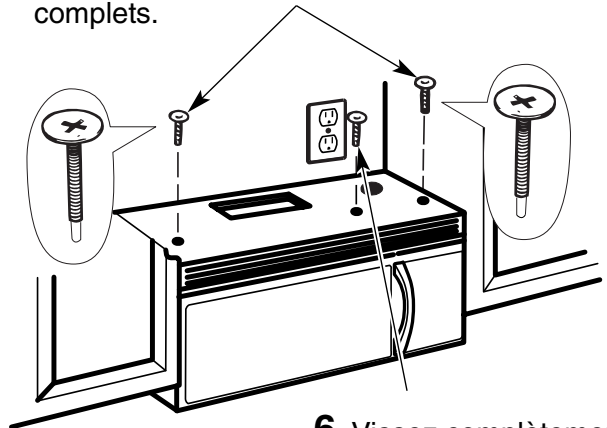
3. Insérez une vis à autoréglage dans le trou prévu au centre du fond de l'armoire. Fixez temporairement le four en serrant la vis d'au moins **deux tours complets** après avoir fait passer les fils. (Vous les serrerez complètement ultérieurement.) **Ne lâchez pas le cordon d'alimentation. Ne pincez pas le cordon, et**

plus particulièrement lorsque vous alignez le four avec le fond de l'armoire.



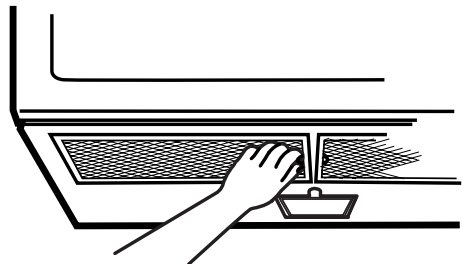
4. Fixez le four à micro-ondes à l'armoire supérieure.

5. Insérez 2 vis à autoréglage dans les trous extérieurs effectués sur l'armoire supérieure. Vissez chaque vis en effectuant deux tours complets.



6. Vissez complètement la vis centrale.

7. Serrez les deux vis extérieures sur le haut du four à micro-ondes. (Tout en serrant les vis, maintenez le four à micro-ondes en place contre le mur et contre l'armoire supérieure.)

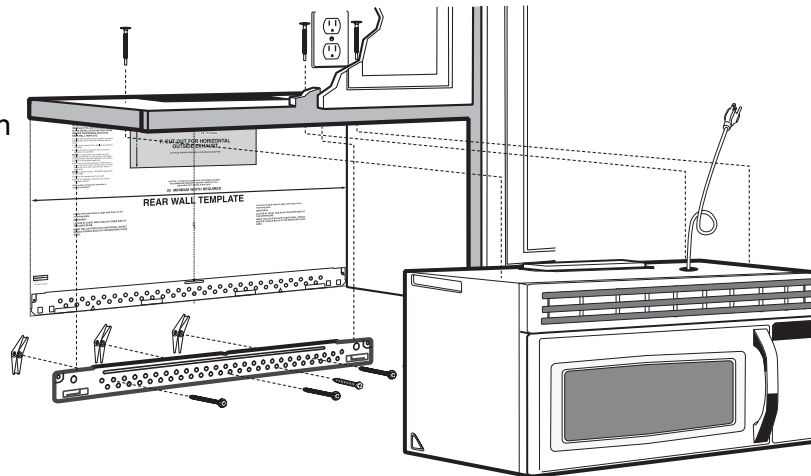


8. Installez les filtres à graisse. Reportez-vous au manuel d'utilisation livré avec le four à micro-ondes.

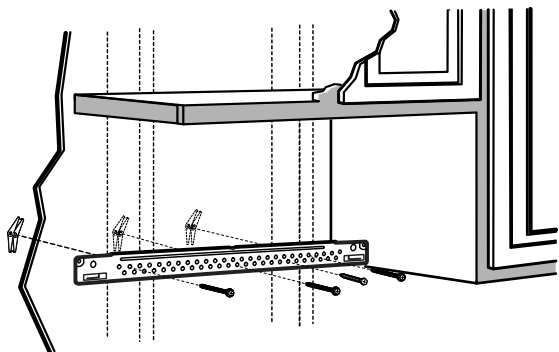
B. EVACUATION EXTERIEURE PAR LE HAUT (conduit vertical)

PRESENTATION DE L'INSTALLATION

- B1. Fixez la plaque de montage au mur
- B2. Préparez l'armoire supérieure
- B3. Réglez le ventilateur
- B4. Test du registre
- B5. Montez le four à micro-ondes
- B6. Réglez l'adaptateur d'évacuation
- B7. Branchez les conduits



B1. FIXEZ LA PLAQUE DE MONTAGE AU MUR

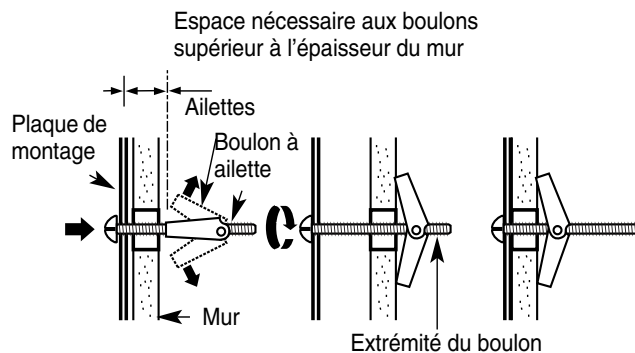


Fixez la plaque au mur à l'aide des boulons à ailette. Au moins une des vis à bois doit servir à fixer la plaque sur un montant du mur.

1. Retirez les ailettes des boulons.
2. Insérez les boulons dans les trous de la plaque de montage prévus pour être percés dans la cloison sèche, puis remettez les ailettes jusqu'à $\frac{3}{4}$ " sur chaque boulon.

B5. MONTEZ LE FOUR A MICRO-

Pour utiliser les boulons à ailette :



3. Placez la plaque de montage contre le mur et insérez les écrous à ailette dans les trous prévus à cet effet.

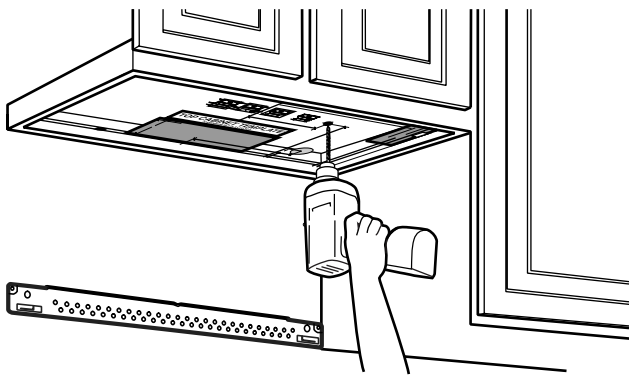
REMARQUE : Avant de serrer les boulons à ailette et les vis à bois, veillez à faire coïncider la ligne du bas de la plaque de montage avec la ligne horizontale du "gabarit du mur arrière" et assurez-vous que la plaque de montage est correctement centrée sous l'armoire.

ATTENTION : Veillez à ne pas vous pincer les doigts entre l'arrière de la plaque de montage et le mur.

4. Serrez tous les boulons. Décollez la plaque du mur pour faciliter le serrage des boulons.

B2. UTILISEZ LE GABARIT DE L'ARMOIRE SUPERIEURE POUR PREPARER CETTE ARMOIRE

Vous devrez percer des trous pour les vis soutenant le haut du four, un trou suffisamment large pour le passage du cordon d'alimentation et une ouverture suffisante pour l'adaptateur d'évacuation.

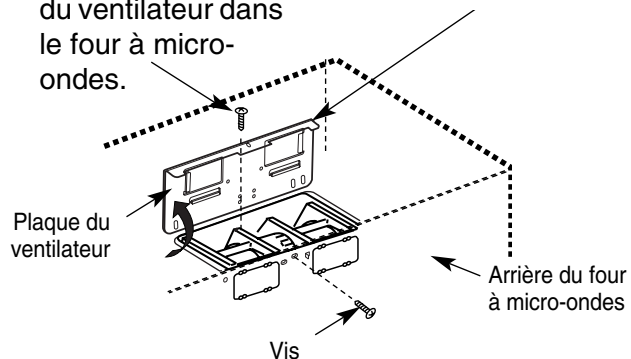


- Consultez les instructions relatives au GABARIT DE L'ARMOIRE SUPERIEURE.
- Collez-les sous l'armoire supérieure.
- Percez les trous nécessaires conformément aux instructions relatives au GABARIT DE L'ARMOIRE SUPERIEURE.

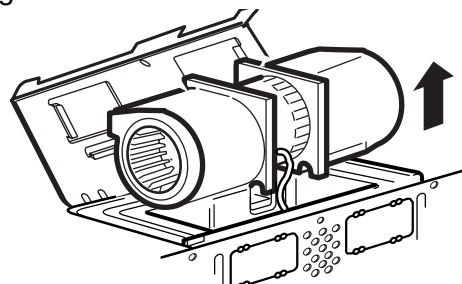
ATTENTION : Portez des lunettes de protection lorsque vous percez des trous dans le fond de l'armoire.

B3. ADAPTATION DU VENTILATEUR DU FOUR A MICRO-ONDES POUR UNE EVACUATION EXTERIEURE PAR LE HAUT

1. Retirez la vis qui soutient la plaque du ventilateur dans le four à micro-ondes.
2. Soulevez la plaque du ventilateur.



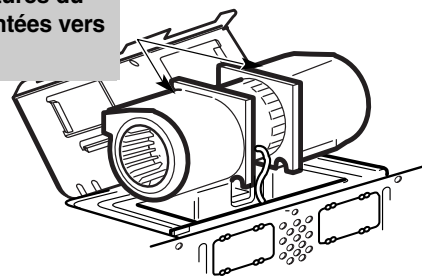
3. Retirez doucement le bloc du ventilateur. Les fils sont suffisamment longs pour vous permettre de régler le ventilateur.



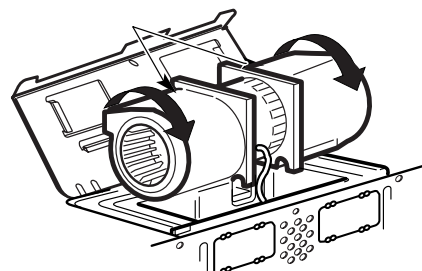
ATTENTION : Ne touchez pas la lame du ventilateur pour empêcher fendre et se casser. Tenez le cas externe quand le ventilateur est enlevé et ré-installé.

4. Faites tourner le bloc du ventilateur de 90° de sorte que ses ouvertures soient tournées vers le haut du four à micro-ondes.

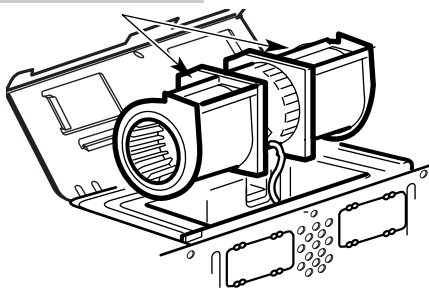
AVANT : Ouvertures du ventilateur orientées vers l'avant



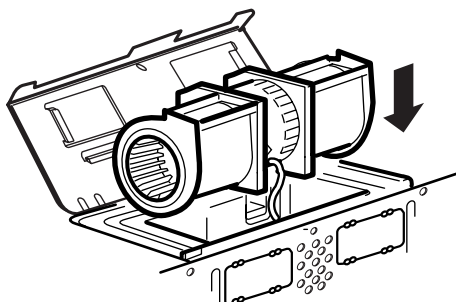
Rotation



APRES : Ouvertures du ventilateur orientées vers le haut



5. Remplacez le ventilateur dans l'ouverture.

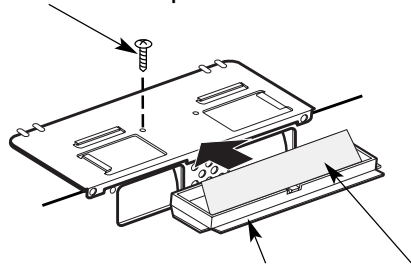


ATTENTION : Ne tirez pas sur les fils du ventilateur. Veillez à ne pas pincer les fils.

6. Fixez le ventilateur au four à micro-ondes à l'aide de la vis.

B4. PROCEDURE D'INSTALLATION DE L'ADAPTATEUR D'EVACUATION ET TEST DU REGISTRE

1. Retirez la vis du panneau extérieur



L'adaptateur d'évacuation et le registre fournis sont fixés à l'appareil.

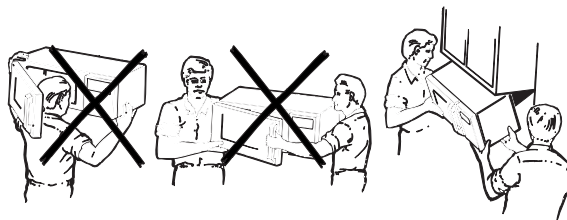
2. Faites glisser l'adaptateur en procédant comme dans le schéma.

3. Avant de monter le four à micro-ondes, veillez à retirer l'adhésif retenant le registre et vérifiez que ce dernier pivote facilement.

4. Soulevez le registre et remplacez la vis au même endroit qu'à l'étape 1.

• Vous devrez procéder à des réglages pour garantir le parfait alignement du registre avec le conduit d'évacuation une fois le four à micro-ondes installé.

B5. MONTEZ LE FOUR A MICRO-ONDES



POUR UNE PLUS GRANDE SIMPLICITE D'INSTALLATION ET POUR VOTRE SECURITE, IL EST RECOMMANDE D'ETRE DEUX POUR INSTALLER CE PRODUIT.

IMPORTANT : N'utilisez pas de griffe de levage ni de poignée au cours de l'installation.

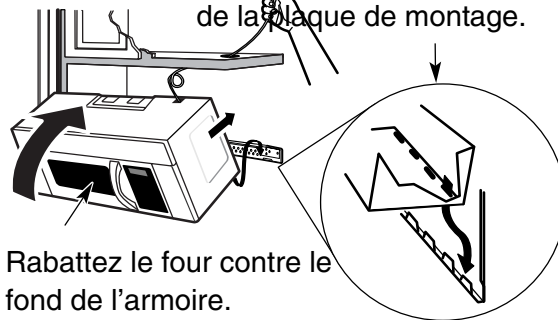
REMARQUE : Si votre armoire est métallique, placez le guide en nylon autour du trou prévu pour le passage du cordon d'alimentation pour que ce dernier ne se coupe pas.

REMARQUE : Il est recommandé d'utiliser des cales si la façade de l'armoire dépasse du fond de l'armoire.

IMPORTANT : Si vous n'utilisez pas de cales, vous risquez d'endommager l'armoire par un serrage des vis.

REMARQUE : Lorsque vous montez le four à micro-ondes, faites passer le cordon d'alimentation dans le trou situé dans le fond de l'armoire supérieure. Tenez le cordon d'alimentation des étapes 1 à 3. Ne le pincez pas et ne tirez pas le four par ce cordon.

1. Soulevez le four à micro-ondes, inclinez-le vers l'avant puis emboîtez les encoches situées au bas de la face arrière du four dans les quatre pattes inférieures de la plaque de montage.

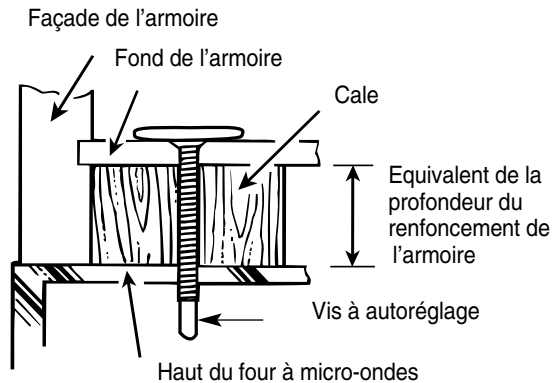


2. Rabattez le four contre le fond de l'armoire.

3. Insérez une vis à autorégulation dans le trou prévu au centre du fond de l'armoire. Fixez temporairement le four en serrant la vis d'au moins **deux tours complets** après avoir fait passer les fils. (Vous les serrerez complètement ultérieurement.) **Ne lâchez pas le cordon d'alimentation. Ne pincez pas le cordon, et plus particulièrement lorsque vous alignez le four avec le fond de l'armoire.**

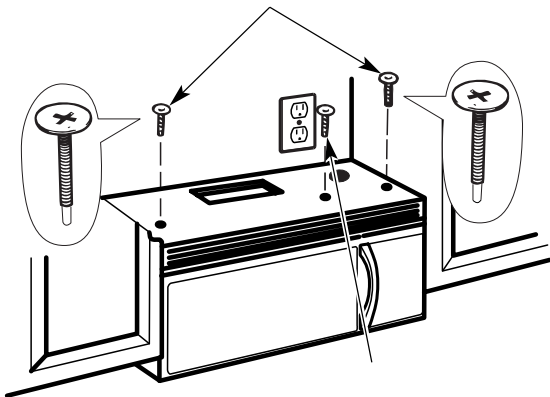
Instructions d'installation

ONDES (suite)



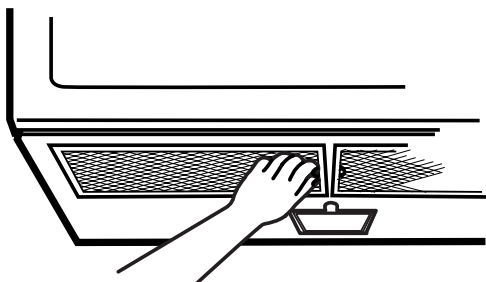
4. Fixez le four à micro-ondes à l'armoire supérieure.

5. Insérez 2 vis à autorégage dans les trous extérieurs effectués sur l'armoire supérieure. Vissez chaque



vis en effectuant deux tours complets.

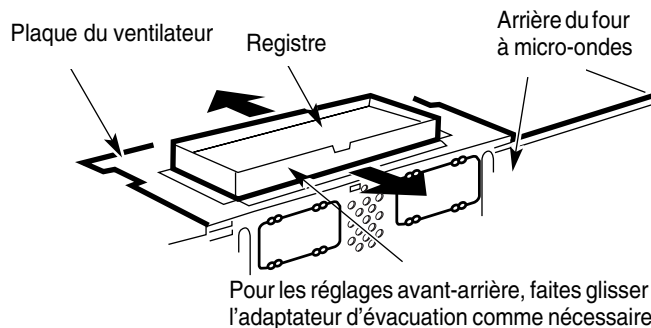
7. Serrez les deux vis extérieures sur le haut du four à micro-ondes. (Tout en serrant les vis, maintenez le four à micro-ondes en place contre le mur et contre l'armoire supérieure.)



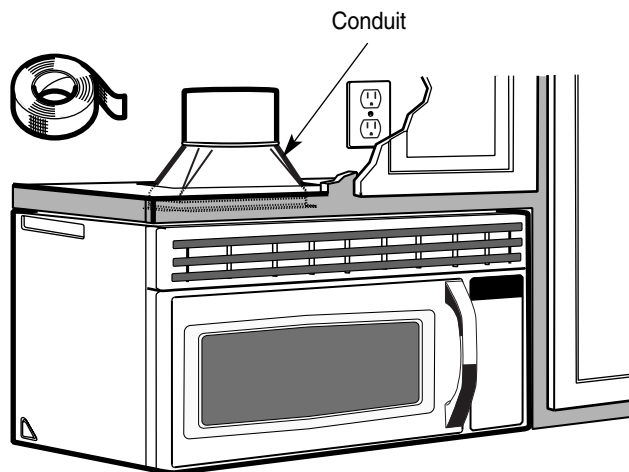
8. Installez les filtres à graisse. Reportez-vous au manuel d'utilisation livré avec le four à micro-ondes.

B6. REGLEZ L'ADAPTATEUR D'EVACUATION

Ouvrez l'armoire supérieure et réglez l'adaptateur d'évacuation pour le brancher au conduit.



B7. BRANCHEZ LES CONDUITS



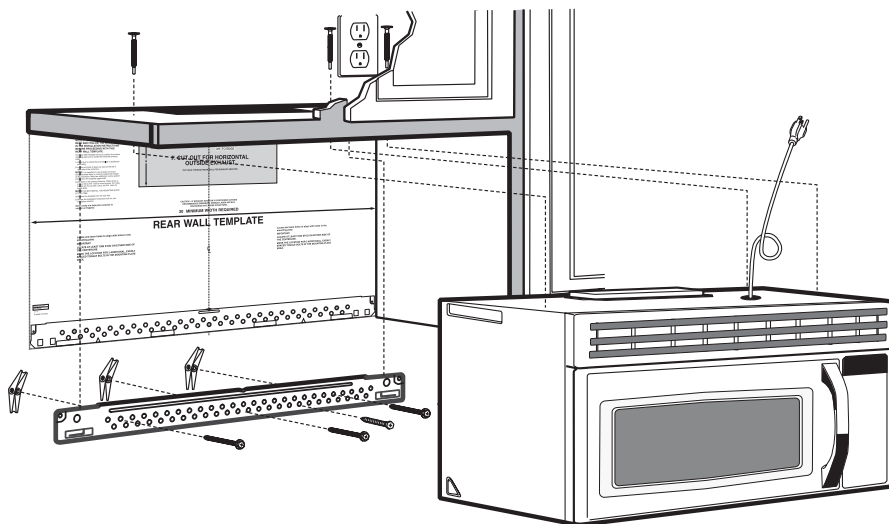
1. Tirez le conduit vers le bas pour le brancher à l'adaptateur d'évacuation.

2. Scellez les joints du conduit d'évacuation avec du ruban isolant.

C. EVACUATION EXTERIEURE PAR L'ARRIERE (Conduit horizontal)

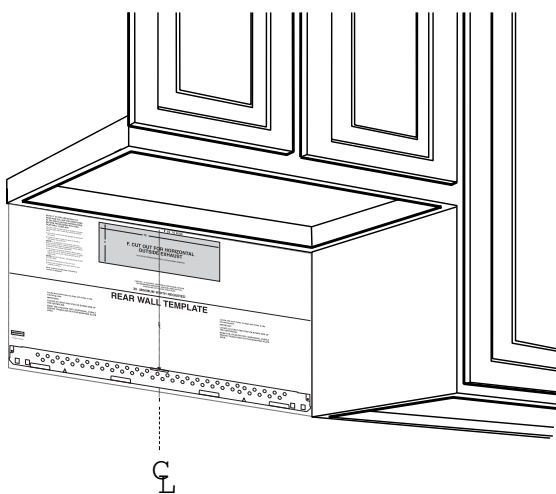
PRESENTATION DE L'INSTALLATION

- C1. Préparez le mur arrière
- C2. Fixez la plaque de montage au mur
- C3. Préparez l'armoire supérieure
- C4. Réglez le ventilateur
- C5. Montez le four à micro-ondes



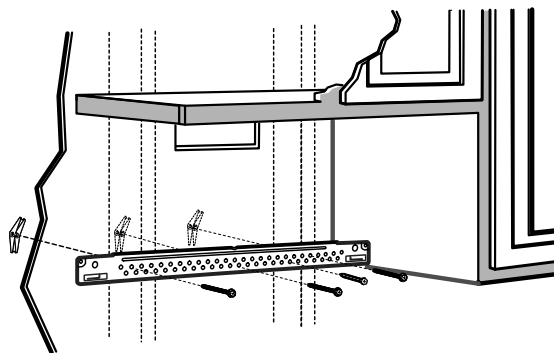
C1. PREPARATION DU MUR ARRIERE POUR UNE EVACUATION EXTERIEURE PAR L'ARRIERE

Vous devez percer une ouverture dans le mur arrière pour permettre l'évacuation vers l'extérieur.



- Consultez les instructions relatives au GABARIT DU MUR ARRIERE.
- Collez le gabarit sur le mur arrière.
- Percez l'ouverture conformément aux instructions relatives au GABARIT DU MUR ARRIERE.

C2. FIXEZ LA PLAQUE DE MONTAGE AU MUR

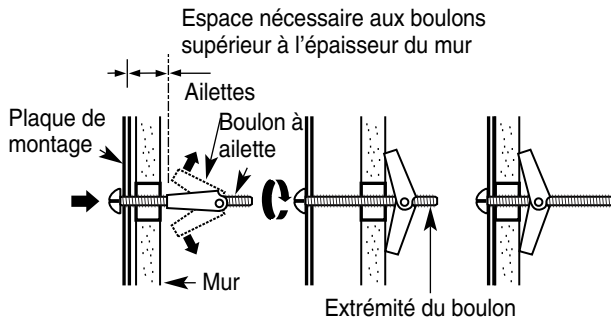


Fixez la plaque au mur à l'aide des boulons à ailette. Au moins une des vis à bois doit servir à fixer la plaque sur un montant du mur.

1. Retirez les ailettes des boulons.
2. Insérez les boulons dans les trous de la plaque de montage prévus pour être percés dans la cloison sèche, puis remettez les ailettes jusqu'à $\frac{3}{4}$ " sur chaque boulon.

C2. FIXEZ LA PLAQUE DE MONTAGE AU MUR (suite)

Pour utiliser les boulons à ailette :



3. Placez la plaque de montage contre le mur et insérez les écrous à ailette dans les trous prévus à cet effet.

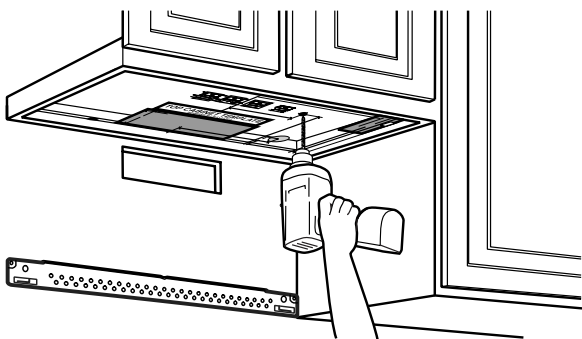
REMARQUE : Avant de serrer les boulons à ailette et les vis à bois, veillez à faire coïncider la ligne du bas de la plaque de montage avec la ligne horizontale du "gabarit du mur arrière" et assurez-vous que la plaque de montage est correctement centrée sous l'armoire.

ATTENTION : Veillez à ne pas vous pincer les doigts entre l'arrière de la plaque de montage et le mur.

4. Serrez tous les boulons. Décollez la plaque du mur pour faciliter le serrage des boulons.

C3. UTILISEZ LE GABARIT DE L'ARMOIRE SUPERIEURE POUR PREPARER CETTE ARMOIRE

Vous devrez percer des trous pour les vis soutenant le haut du four et un trou suffisamment large pour le passage du cordon d'alimentation.



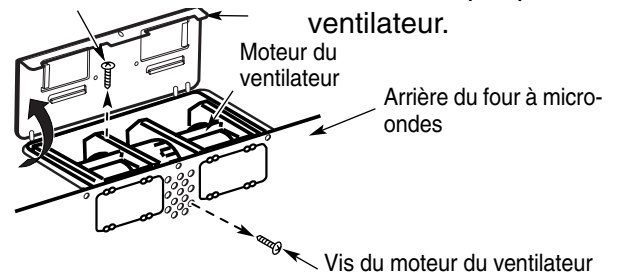
- Consultez les instructions relatives au GABARIT DE L'ARMOIRE SUPERIEURE.
- Collez-les sous l'armoire supérieure.
- Percez les trous nécessaires conformément aux instructions relatives au GABARIT DE L'ARMOIRE SUPERIEURE.

ATTENTION : Portez des lunettes de protection lorsque vous percez des trous dans le fond de l'armoire.

C4. ADAPTATION DU VENTILATEUR DU FOUR A MICRO-ONDES POUR UNE EVACUATION EXTERIEURE PAR L'ARRIERE

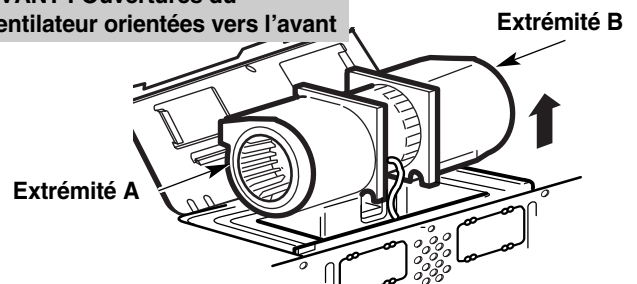
1. Retirez et conservez la vis qui soutient la plaque du ventilateur dans le four à micro-ondes.

2. Soulevez la plaque du ventilateur.



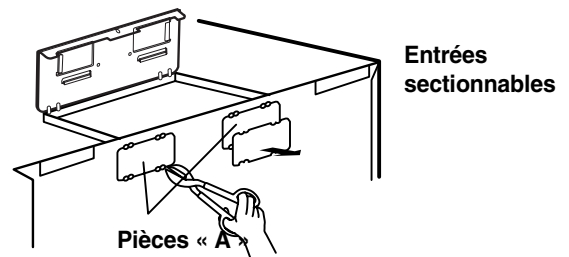
3. Retirez doucement le bloc du ventilateur. Les fils sont suffisamment longs pour vous permettre de régler le ventilateur.

AVANT : Ouvertures du ventilateur orientées vers l'avant

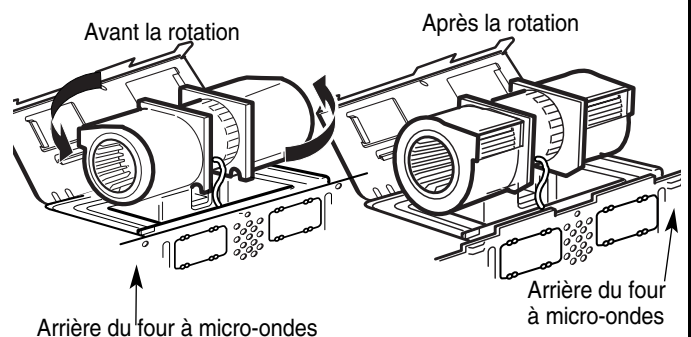


ATTENTION : Ne touchez pas la lame du ventilateur pour empêcher fendre et se casser. Tenez le cas externe quand le ventilateur est enlevé et ré-installé.

4. Déposez les « pièces "A" » à l'aide de pinces ou de ciseaux



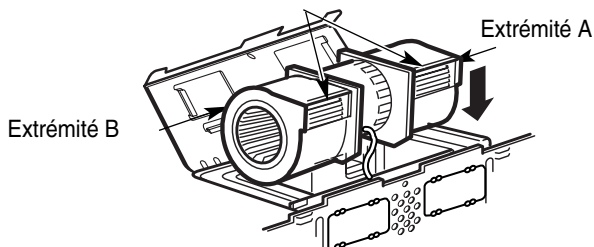
5. Faites pivoter le ventilateur de 180° dans le sens des aiguilles d'une montre.



Instructions d'installation

6. Replacez le ventilateur dans l'ouverture.

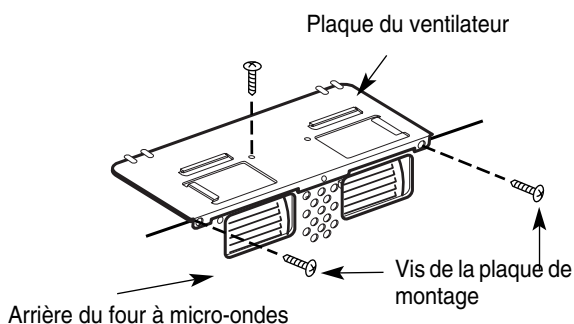
APRES : Ouvertures du ventilateur orientées vers l'arrière



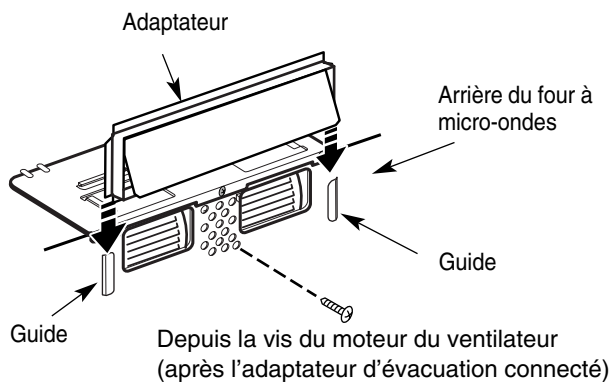
ATTENTION : Ne tirez pas sur les fils du ventilateur. Veillez à ne pas pincer les fils.

REMARQUE : Les ouvertures du ventilateur prévues pour l'évacuation doivent coïncider avec celles qui se trouvent à l'arrière du four à micro-ondes.

7. Fixez le bloc du ventilateur au four à micro-ondes à l'aide de la vis.

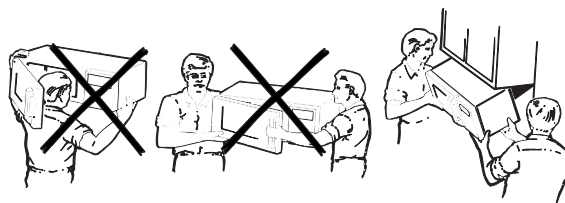


8. Fixez l'adaptateur d'évacuation à l'arrière du four en le faisant glisser dans les guides situés en haut au centre de l'arrière du four.



Poussez fermement jusqu'à ce qu'il soit enclenché dans les pattes de fixation inférieures. Veillez à ce que la charnière du registre soit sur le haut et que le registre bouge librement.

C5. MONTEZ LE FOUR A MICRO-ONDES



POUR UNE PLUS GRANDE SIMPLICITE D'INSTALLATION ET POUR VOTRE PROPRE SECURITE, IL EST RECOMMANDE D'ETRE **DEUX** POUR INSTALLER CE PRODUIT.

IMPORTANT : N'utilisez pas de griffe de levage ni de poignée au cours de l'installation.

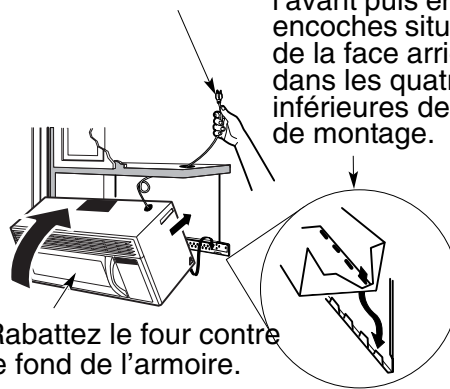
REMARQUE : Si votre armoire est métallique, placez le guide en nylon autour du trou prévu pour le passage du cordon d'alimentation pour que ce dernier ne se coupe pas.

REMARQUE : Il est recommandé d'utiliser des cales si la façade de l'armoire dépasse du fond de l'armoire.

IMPORTANT : Si vous n'utilisez pas de cales, vous risquez d'endommager l'armoire par un serrage des vis.

REMARQUE : Lorsque vous montez le four à micro-ondes, faites passer le cordon d'alimentation dans le trou situé dans le fond de l'armoire supérieure. Tenez le cordon d'alimentation des étapes 1 à 3. Ne le pincez pas et ne tirez pas le four par ce cordon.

1. Soulevez le four à micro-ondes, inclinez-le vers l'avant puis emboîtez les encoches situées au bas de la face arrière du four dans les quatre pattes inférieures de la plaque de montage.

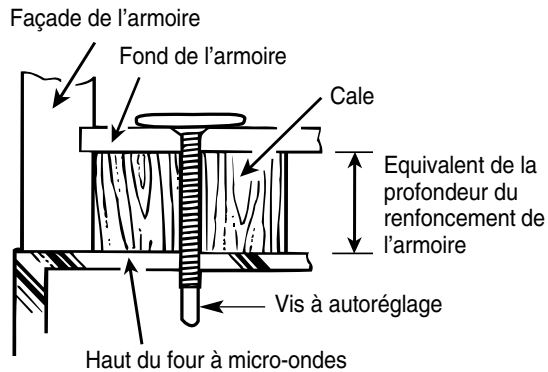


2. Rabattez le four contre le fond de l'armoire.

3. Insérez une vis à autoréglage dans le trou prévu au centre du fond de l'armoire. Fixez temporairement le four en serrant la vis d'au moins **deux tours complets** après avoir fait passé les fils. (Vous les serrerez complètement ultérieurement.) **Ne lâchez pas le cordon d'alimentation. Ne pincez pas le cordon, et plus particulièrement lorsque vous alignez le four avec le fond de l'armoire.**

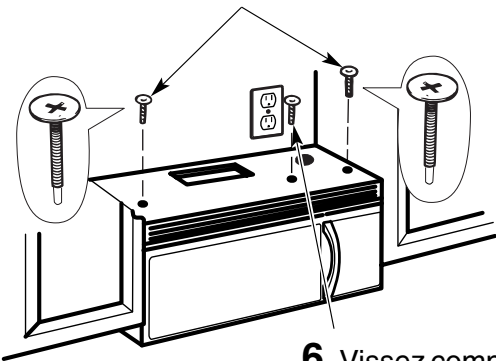
C5. MONTEZ LE FOUR A MICRO-ONDES (suite)

Installez les filtres à graisse. Reportez-vous au manuel d'utilisation livré avec le four à micro-ondes.



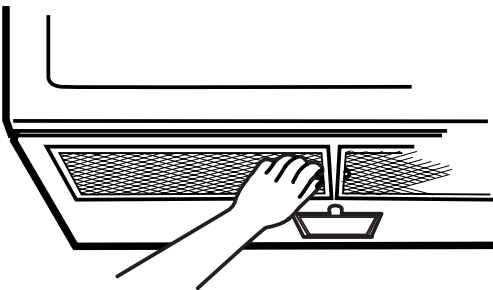
4. Fixez le four à micro-ondes à l'armoire supérieure.

5. Insérez 2 vis à autoréglaage dans les trous extérieurs effectués sur l'armoire supérieure. Vissez chaque vis en effectuant deux tours complets.



6. Vissez complètement la vis centrale.

7. Serrez les deux vis extérieures sur le haut du four à micro-ondes. (Tout en serrant les vis, maintenez le four à micro-ondes en place contre le mur et contre l'armoire supérieure.)



8. Installez les filtres à graisse. Reportez-vous au manuel d'utilisation livré avec le four à micro-ondes.

AVANT D'UTILISER VOTRE FOUR A MICRO-ONDES

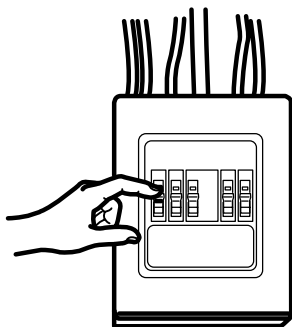
- 1.** Vérifiez que le four à micro-ondes a été installé conformément aux instructions fournies.



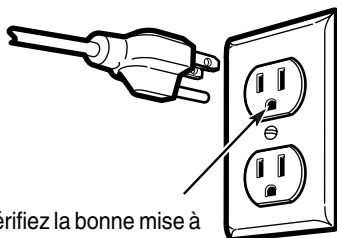
- 2.** Enlevez tous les matériaux d'emballage placés à l'intérieur du four.

- 3.** Installez le plateau tournant et l'anneau de guidage.

- 4.** Remplacez les fusibles ou remettez le disjoncteur en marche.

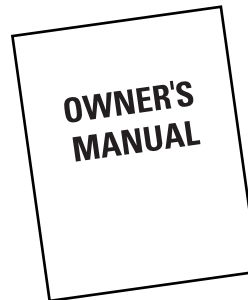


- 5.** Branchez le cordon d'alimentation à une prise électrique de 20 A (prise dédiée).



Vérifiez la bonne mise à la terre avant la mise en service

- 6.** Consultez le manuel d'utilisation.



- 7.** CONSERVEZ LES INSTRUCTIONS D'INSTALLATION EN VUE DE LEUR UTILISATION PAR UN CONTROLEUR LOCAL.



REMARQUE

