

This Data Sheet Includes Information On

Maytag

• **Product Model Number (s):** •

24" Single Wall Ovens:
CWE4800ACB, CWE4800ACE and CWE4200ACB

• **Dimensions (Actual Size)** •

- Cutout width: 22"
- Cutout height: 28 11/16"
- Minimum cabinet width: 24"
- Minimum cabinet depth: 24"

Recommended cutout location from floor : 33 1/4"

Distance from face of cabinet to
outer edge of open door (Door swing): 21 3/8"

Distance from face of cabinet to
front of closed door handle: 2 9/16"

Overall unit width: 23 7/8"

Overall unit height: 29 5/8"

Penetration into cabinet: 22 5/8"

Oven overlap distances when using
cutout dimensions listed above:

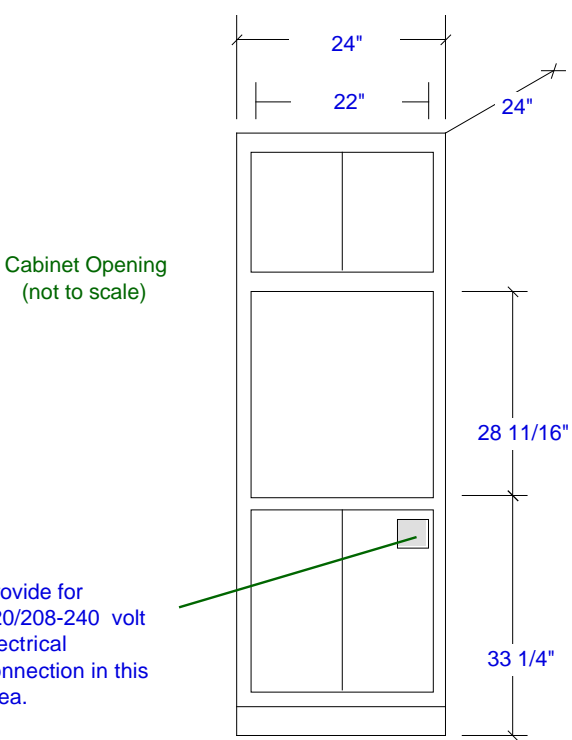
- Top overlap: 13/16"
- Bottom overlap: 0"
- Right side overlap: 15/16"
- Left side overlap: 15/16"

• **Additional Information** •

- NOT approved for undercounter installation.
- Cutout in cabinet should be level and straight. There are no provisions to level the unit after it is installed.
- Construct 5/8" minimum plywood floor flush with bottom of opening. Floor must be level and straight and capable of supporting 140 lbs.
- A three-wire, single phase, A.C. 120/208-240 volt, 60Hz cycle electrical system protected by a 30 amp fuse or comparable circuit breaker must be provided . 7/8" O.D. flexible cable 4 feet long is furnished by manufacturer. Mount junction box in area under plywood floor if adequate lower cabinet space is available. Locate 1 1/4" conduit access hole in the back right hand side of the plywood floor.
- For European style cabinets (flush front) the required clearance for operation of the oven door is a minimum spacing of 1" between the cutout and the door, hinge or drawer of the cabinet.
- CWE4800ACB and CWE4200ACB : Black.
- CWE4800ACE : Monochromatic White.

See page 2 for additional information

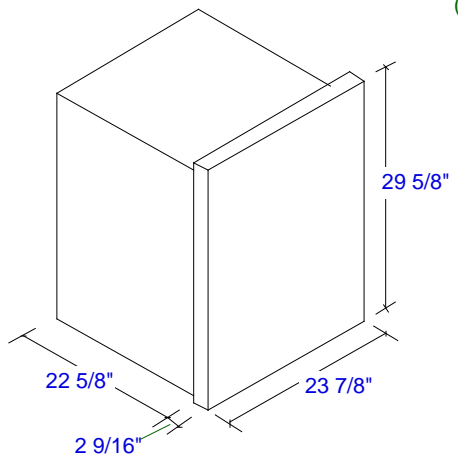
Subject to change without notice. This system is designed to be updated daily if necessary. Dimension Express is not responsible for use of superseded, voided, or outdated data sheets. Because of the difficulty or impracticability of determining actual damages, liability of Dimension Express shall not exceed \$50.00.



Cabinet Opening
(not to scale)

Provide for
120/208-240 volt
electrical
connection in this
area.

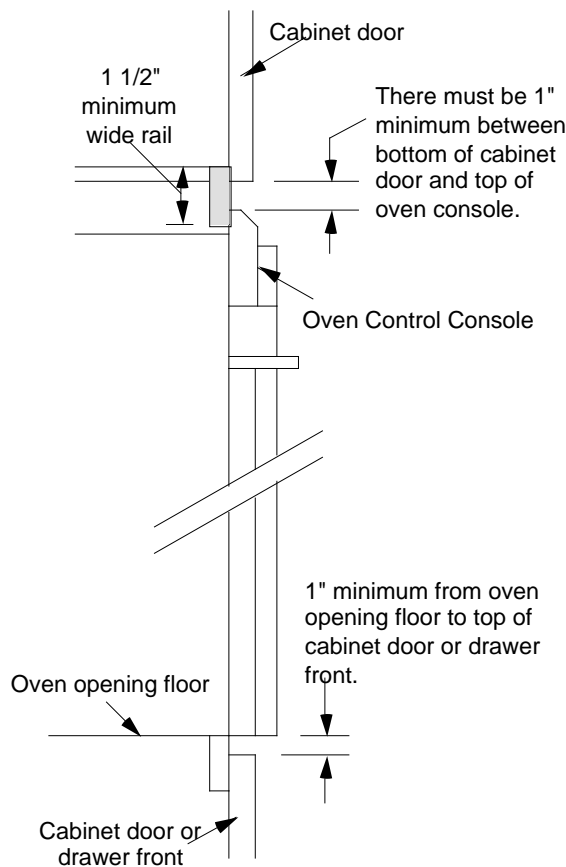
Overall Dimensions
(not to scale)



• NEVER reuse Data Sheets. Data Sheets are subject to change without notice. Dimension Express is a FREE service bureau and is updated daily, it makes far more sense to spend the time necessary to request new Data Sheets for each project, as opposed to the problems, time, costs, and risks associated with reusing old Data Sheets.

- Call Dimension Express if you have any questions at (775) 833-3633 •
- Always refer to a current Code at a Glance or manufacturer directory •
- Data Sheet codes change on the first of odd numbered months at 12:01am •

Additional Information:



**Side View
(not to scale)**

Subject to change without notice. This system is designed to be updated daily if necessary. Dimension Express is not responsible for use of superseded, voided, or outdated data sheets. Because of the difficulty or impracticability of determining actual damages, liability of Dimension Express shall not exceed \$50.00. Copyright © Dimension Express, 2002.

276

• NEVER reuse Data Sheets. Data Sheets are subject to change without notice. Dimension Express is a FREE service bureau and is updated daily, it makes far more sense to spend the time necessary to request new Data Sheets for each project, as opposed to the problems, time, costs, and risks associated with reusing old Data Sheets.

- Call Dimension Express if you have any questions at (775) 833-3633 •
- Always refer to a current Code at a Glance or manufacturer directory •
- Data Sheet codes change on the first of odd numbered months at 12:01am •

BN356 • A214B276 • 032603 • 95653 • 76241