

This Data Sheet Includes Information On

Maytag

• Product Model Number (s): •

27" Wall Ovens:
MEW5527DDB and MEW5527DDW

• Dimensions (Actual Size) •

Cutout width: 25 1/2"

Cutout height: 27 7/8"

Minimum cabinet width: 27"

Minimum cabinet depth: 24"

Recommended cutout location from floor : 4" - 33"

Distance from face of cabinet to
outer edge of open door (Door swing): 20 1/2"

Distance from face of cabinet to
front of closed door handle: 15/16"

Overall unit width: 26 3/4"

Overall unit height: 28 1/4"

Penetration into cabinet: 23 1/2"

Oven overlap distances when using
cutout dimensions listed above:

Top overlap: 3/8"

Bottom overlap: 0"

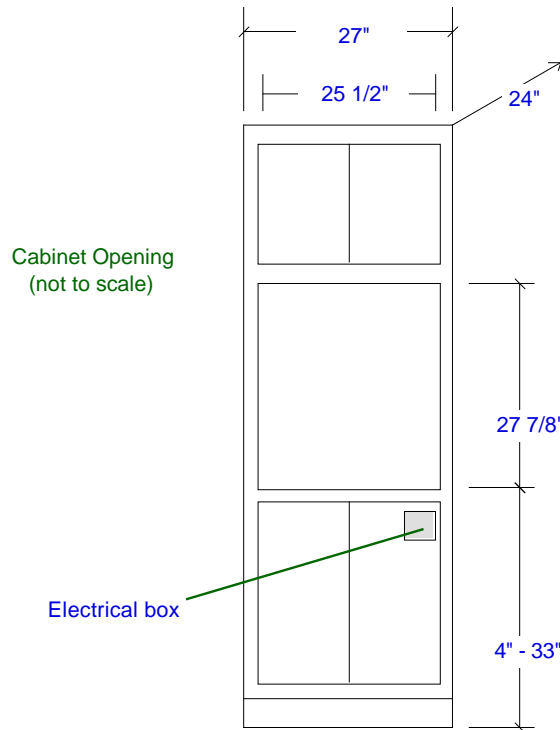
Right side overlap: 5/8"

Left side overlap: 5/8"

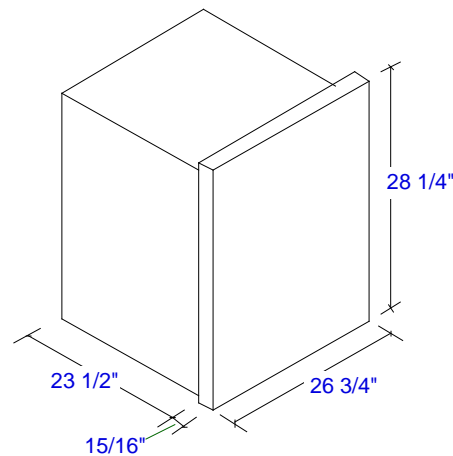
• Additional Information •

- Approved for undercounter installation.
- Do Not block air intake slots along bottom of oven.
- IMPORTANT: nylon grip nuts that hold crate bottom must be removed before installation.
- A three-wire, single phase, A.C. 120/208-240 volt, 60Hz cycle electrical system protected by a 20 amp fuse or comparable circuit breaker must be provided . 7/8" O.D. flexible cable 4 feet long is furnished by manufacturer. Mount junction box in area under plywood floor if adequate lower cabinet space is available. Locate 1 1/4" conduit access hole in the back right hand side of the plywood floor.

SEE PAGE 2 FOR UNDERCOUNTER INSTALLATION



Overall Dimensions (not to scale)



Subject to change without notice. This system is designed to be updated daily if necessary. Dimension Express is not responsible for use of superseded, voided, or outdated data sheets. Because of the difficulty or impracticability of determining actual damages, liability of Dimension Express shall not exceed \$50.00.

Copyright © Dimension Express, 2003.

214

• NEVER reuse Data Sheets. Data Sheets are subject to change without notice. Dimension Express is a FREE service bureau and is updated daily, it makes far more sense to spend the time necessary to request new Data Sheets for each project, as opposed to the problems, time, costs, and risks associated with reusing old Data Sheets.

- Call Dimension Express if you have any questions at (775) 833-3633 •
- Always refer to a current Code at a Glance or manufacturer directory •
- Data Sheet codes change on the first of odd numbered months at 12:01am •

BN207.5 • A214 • • 031211 • 890 • 45012