



# REFRIGERATOR USER INSTRUCTIONS

Pour les instructions en français, voir au verso.

For future reference, please make a note of your product model and serial numbers. These can be located on the inside wall of the refrigerator compartment.

Número de modelo \_\_\_\_\_ Número de serie \_\_\_\_\_

Para obtener acceso a "Instrucciones para el usuario del refrigerador" en español, o para obtener información adicional acerca de su producto, visite: [www.maytag.com](http://www.maytag.com).

Necesitará su número de modelo y de serie, ubicado en el interior del compartimiento del refrigerador.

## Table of Contents / Table des matières / Índice

<b>REFRIGERATOR SAFETY.....</b>	<b>2</b>	<b>SÉCURITÉ DU RÉFRIGÉRATEUR.....</b>	<b>18</b>	<b>SEGURIDAD DEL REFRIGERADOR.....</b>	<b>38</b>
Proper Disposal of Your Old Refrigerator.....	3	Mise au rebut appropriée de votre vieux réfrigérateur.....	19	Cómo deshacerse adecuadamente de su refrigerador viejo.....	39
<b>INSTALLATION INSTRUCTIONS.....</b>	<b>3</b>	<b>INSTRUCTIONS D'INSTALLATION.....</b>	<b>19</b>	<b>INSTRUCCIONES DE INSTALACIÓN.....</b>	<b>39</b>
Unpack the Refrigerator.....	3	Déballage du réfrigérateur.....	19	Desembale el refrigerador.....	39
Location Requirements.....	4	Exigences d'emplacement.....	20	Requisitos de ubicación.....	40
Electrical Requirements.....	4	Spécifications électriques.....	20	Requisitos eléctricos.....	40
Water Supply Requirements.....	4	Spécifications de l'alimentation en eau.....	21	Requisitos del suministro de agua.....	40
Connect the Water Supply.....	5	Raccordement de la canalisation d'eau.....	21	Conexión del suministro de agua.....	41
Refrigerator Doors.....	6	Portes du réfrigérateur.....	22	Puertas del refrigerador.....	42
Adjust the Doors.....	9	Ajustement des portes.....	25	Ajuste las puertas.....	45
<b>REFRIGERATOR USE.....</b>	<b>10</b>	<b>UTILISATION DU RÉFRIGÉRATEUR.....</b>	<b>26</b>	<b>USO DEL REFRIGERADOR.....</b>	<b>46</b>
Using the Controls.....	10	Utilisation des commandes.....	26	Uso de los controles.....	46
<b>REFRIGERATOR FEATURES.....</b>	<b>11</b>	<b>CARACTÉRISTIQUES DU RÉFRIGÉRATEUR.....</b>	<b>27</b>	<b>CARACTERÍSTICAS DEL REFRIGERADOR.....</b>	<b>47</b>
Refrigerator Shelves.....	11	Tablettes du réfrigérateur.....	27	Estantes del refrigerador.....	47
Deli Drawer.....	11	Tiroir pour spécialités alimentaires.....	28	Cajón para carnes frías.....	47
Crisper.....	11	Bac à légumes.....	28	Cajón para verduras.....	47
<b>FREEZER FEATURES.....</b>	<b>12</b>	<b>CARACTÉRISTIQUES DU CONGÉLATEUR.....</b>	<b>28</b>	<b>CARACTERÍSTICAS DEL CONGELADOR.....</b>	<b>48</b>
Freezer Shelf.....	12	Tablette du congélateur.....	29	Estante del congelador.....	48
<b>DOOR FEATURES.....</b>	<b>12</b>	<b>CARACTÉRISTIQUES DE LA PORTE.....</b>	<b>29</b>	<b>CARACTERÍSTICAS DE LA PUERTA.....</b>	<b>48</b>
Door Rails.....	12	Tringles de porte.....	29	Rieles de la puerta.....	48
Door Bins.....	12	Balconnets de porte.....	29	Recipientes de la puerta.....	49
Utility Compartment.....	13	Compartiment utilitaire.....	29	Compartimiento de uso general.....	49
Ice Maker.....	13	Machine à glaçons.....	29	Fábrica de hielo.....	49
<b>REFRIGERATOR CARE.....</b>	<b>13</b>	<b>ENTRETIEN DU RÉFRIGÉRATEUR.....</b>	<b>30</b>	<b>CUIDADO DEL REFRIGERADOR.....</b>	<b>49</b>
Cleaning.....	13	Nettoyage.....	30	Limpieza.....	49
Changing the Light Bulb.....	14	Remplacement des ampoules d'éclairage... 30		Cómo cambiar el foco.....	50
Vacation and Moving Care.....	14	Entretien avant les vacances ou lors d'un déménagement.....	31	Cuidado durante las vacaciones y mudanzas.....	51
<b>TROUBLESHOOTING.....</b>	<b>15</b>	<b>DÉPANNAGE.....</b>	<b>32</b>	<b>SOLUCIÓN DE PROBLEMAS.....</b>	<b>51</b>
Refrigerator Operation.....	15	Fonctionnement du réfrigérateur.....	32	Funcionamiento del refrigerador.....	52
Temperature and Moisture.....	16	Température et humidité.....	33	Temperatura y humedad.....	53
Ice and Water.....	16	Glaçons et eau.....	33	Hielo y agua.....	53
<b>ACCESSORIES.....</b>	<b>16</b>	<b>ACCESSOIRES.....</b>	<b>34</b>	<b>ACCESORIOS.....</b>	<b>54</b>
<b>WARRANTY.....</b>	<b>17</b>	<b>GARANTIE.....</b>	<b>35</b>	<b>GARANTÍA.....</b>	<b>55</b>

# REFRIGERATOR SAFETY

## Your safety and the safety of others are very important.

We have provided many important safety messages in this manual and on your appliance. Always read and obey all safety messages.



This is the safety alert symbol.

This symbol alerts you to potential hazards that can kill or hurt you and others.

All safety messages will follow the safety alert symbol and either the word "DANGER" or "WARNING."

These words mean:

**⚠ DANGER**

You can be killed or seriously injured if you don't immediately follow instructions.

**⚠ WARNING**

You can be killed or seriously injured if you don't follow instructions.

All safety messages will tell you what the potential hazard is, tell you how to reduce the chance of injury, and tell you what can happen if the instructions are not followed.

## IMPORTANT SAFETY INSTRUCTIONS

**WARNING:** To reduce the risk of fire, electric shock, or injury to persons when using the refrigerator, follow basic precautions, including the following:

- Plug into a grounded 3 prong outlet.
- Do not remove ground prong.
- Do not use an adapter.
- Do not use an extension cord.
- Disconnect power before servicing.
- Replace all parts and panels before operating.
- Remove doors from your old refrigerator.
- Use nonflammable cleaner.
- Keep flammable materials and vapors, such as gasoline, away from refrigerator.
- Use two or more people to move and install refrigerator.
- Disconnect power before installing ice maker (on ice maker kit ready models only).

**SAVE THESE INSTRUCTIONS**

State of California Proposition 65 Warnings:

**WARNING:** This product contains one or more chemicals known to the State of California to cause cancer.

**WARNING:** This product contains one or more chemicals known to the State of California to cause birth defects or other reproductive harm.

## Proper Disposal of Your Old Refrigerator

### **⚠ WARNING**

#### **Suffocation Hazard**

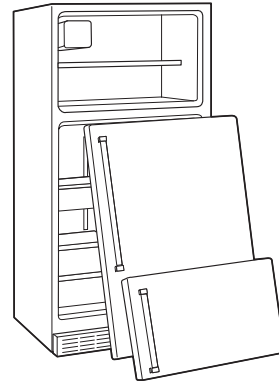
**Remove doors or lid from your old freezer or refrigerator.**

**Failure to do so can result in death or brain damage.**

**IMPORTANT:** Child entrapment and suffocation are not problems of the past. Junked or abandoned refrigerators are still dangerous – even if they will sit for “just a few days.” If you are getting rid of your old refrigerator, please follow these instructions to help prevent accidents.

## Before You Throw Away Your Old Refrigerator or Freezer:

- Take off the doors.
- Leave the shelves in place so that children may not easily climb inside.



### **Important information to know about disposal of refrigerants:**

Dispose of refrigerator in accordance with Federal and Local regulations. Refrigerants must be evacuated by a licensed, EPA certified refrigerant technician in accordance with established procedures.

## INSTALLATION INSTRUCTIONS

### Unpack the Refrigerator

### **⚠ WARNING**

#### **Excessive Weight Hazard**

**Use two or more people to move and install refrigerator.**

**Failure to do so can result in back or other injury.**

### **When Moving Your Refrigerator:**

Your refrigerator is heavy. When moving the refrigerator for cleaning or service, be sure to cover the floor with cardboard or hardboard to avoid floor damage. Always pull the refrigerator straight out when moving it. Do not wiggle or “walk” the refrigerator when trying to move it, as floor damage could occur.

### Remove the Packaging

**IMPORTANT:** Do not remove the white foam air return insert from behind the control panel on the ceiling of the refrigerator. If the insert is removed, ice may migrate down from the freezer and cause icicles to form.

- Remove tape and glue residue from surfaces before turning on the refrigerator. Rub a small amount of liquid dish soap over the adhesive with your fingers. Rinse with warm water and dry with a soft cloth.
- Do not use sharp instruments, rubbing alcohol, flammable fluids, or abrasive cleaners to remove tape or glue. These products can damage the surface of your refrigerator. For more information see “Refrigerator Safety.”

### Clean Before Using

After you remove all of the package materials, clean the inside of your refrigerator before using it. See the cleaning instructions in “Refrigerator Care.”

### **Important information to know about glass shelves and covers:**

Do not clean glass shelves or covers with warm water when they are cold. Shelves and covers may break if exposed to sudden temperature changes or impact, such as bumping. Tempered glass is designed to shatter into many small, pebble-size pieces. This is normal. Glass shelves and covers are heavy. Use both hands when removing them to avoid dropping.

## Location Requirements

### ⚠ WARNING



#### Explosion Hazard

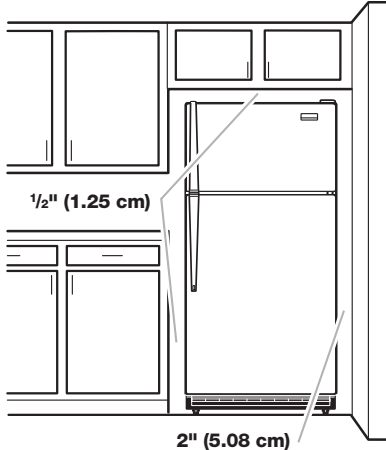
Keep flammable materials and vapors, such as gasoline, away from refrigerator.

Failure to do so can result in death, explosion, or fire.

**IMPORTANT:** This refrigerator is designed for indoor household use only.

To ensure proper ventilation for your refrigerator, allow for ½" (1.25 cm) of space on each side and at the top. Allow for 1" (2.54 cm) of space behind the refrigerator. If your refrigerator has an ice maker, allow extra space at the back for the water line connections. When installing your refrigerator next to a fixed wall, leave a 2" (5.08 cm) minimum space on the hinge side (some models require more) to allow the door to swing open.

**NOTE:** This refrigerator is intended for use in a location where the temperature ranges from a minimum of 55°F (13°C) to a maximum of 110°F (43°C). The preferred room temperature range for optimum performance, which reduces electricity usage and provides superior cooling, is between 60°F (15°C) and 90°F (32°C). It is recommended that you do not install the refrigerator near a heat source, such as an oven or radiator.



## Electrical Requirements

### ⚠ WARNING



#### Electrical Shock Hazard

Plug into a grounded 3 prong outlet.

Do not remove ground prong.

Do not use an adapter.

Do not use an extension cord.

Failure to follow these instructions can result in death, fire, or electrical shock.

Before you move your refrigerator into its final location, it is important to make sure you have the proper electrical connection.

#### Recommended Grounding Method

A 115 volt, 60 Hz, AC only, 15- or 20-amp fused, grounded electrical supply is required. It is recommended that a separate circuit serving only your refrigerator be provided. Use an outlet that cannot be turned off by a switch. Do not use an extension cord.

**NOTE:** Before performing any type of installation or cleaning, or removing a light bulb, turn cooling off or turn the control (Thermostat, Refrigerator or Freezer Control depending on the model) to OFF, and then disconnect the refrigerator from the electrical source. When you are finished, reconnect the refrigerator to the electrical source and turn cooling on or reset the control (Thermostat, Refrigerator or Freezer Control depending on the model) to the desired setting. See "Using the Controls" in the User Instructions, User Guide, or Use & Care Guide.

## Water Supply Requirements

Gather the required tools and parts before starting installation. Read and follow the instructions provided with any tools listed here.

#### TOOLS NEEDED:

- Flat-blade screwdriver
- ¼" Nut driver
- 7/16" and ½" Open-end or two adjustable wrenches
- ¼" Drill bit
- Cordless Drill

**NOTE:** Your refrigerator dealer has a kit available with a ¼" (6.35 mm) saddle-type shutoff valve, a union, and copper tubing. Before purchasing, make sure a saddle-type valve complies with your local plumbing codes. Do not use a piercing-type or 3/16" (4.76 mm) saddle valve which reduces water flow and clogs more easily.

#### IMPORTANT:

- All installations must meet local plumbing code requirements.
- Use copper tubing and check for leaks. Install copper tubing only in areas where the household temperatures will remain above freezing.

## Water Pressure

A cold water supply with water pressure of between 30 and 120 psi (207 and 827 kPa) is required to operate the water dispenser and ice maker. If you have questions about your water pressure, call a licensed, qualified plumber.

### Reverse Osmosis Water Supply

**IMPORTANT:** The pressure of the water supply coming out of a reverse osmosis system going to the water inlet valve of the refrigerator needs to be between 30 and 120 psi (207 and 827 kPa).

If a reverse osmosis water filtration system is connected to your cold water supply, the water pressure to the reverse osmosis system needs to be a minimum of 40 to 60 psi (276 to 414 kPa).

If the water pressure to the reverse osmosis system is less than 40 to 60 psi (276 to 414 kPa):

- Check to see whether the sediment filter in the reverse osmosis system is blocked. Replace the filter if necessary.
- Allow the storage tank on the reverse osmosis system to refill after heavy usage.

If you have questions about your water pressure, call a licensed, qualified plumber.

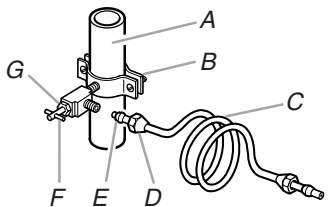
## Connect the Water Supply

Read all directions before you begin.

**IMPORTANT:** If you turn the refrigerator on before the water line is connected, turn the ice maker OFF.

### Connect to Water Line

1. Unplug refrigerator or disconnect power.
2. Turn OFF main water supply. Turn ON nearest faucet long enough to clear line of water.
3. Locate a 1/2" to 1 1/4" (1.25 cm to 3.18 cm) vertical cold water pipe near the refrigerator.  
**IMPORTANT:**
  - Make sure it is a cold water pipe.
  - Horizontal pipe will work, but drill on the top side of the pipe, not the bottom. This will help keep water away from the drill and normal sediment from collecting in the valve.
4. Determine the length of copper tubing you need. Measure from the connection on the lower left rear of refrigerator to the water pipe. Add 7 ft (2.1 m) to allow for cleaning. Use 1/4" (6.35 mm) O.D. (outside diameter) copper tubing. Be sure both ends of copper tubing are cut square.
5. Using a cordless drill, drill a 1/4" hole in the cold water pipe you have selected.



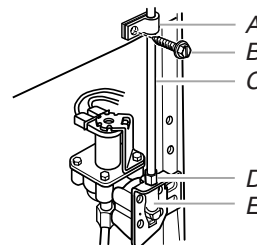
- A. Cold water pipe
- B. Pipe clamp
- C. Copper tubing
- D. Compression nut
- E. Compression sleeve
- F. Shutoff valve
- G. Packing nut

6. Fasten the shutoff valve to the cold water pipe with the pipe clamp. Be sure the outlet end is solidly in the 1/4" drilled hole in the water pipe and that the washer is under the pipe clamp. Tighten the packing nut. Tighten the pipe clamp screws slowly and evenly so washer makes a watertight seal. Do not overtighten or you may crush the copper tubing.

7. Slip the compression sleeve and compression nut on the copper tubing as shown. Insert the end of the tubing into the outlet end squarely as far as it will go. Screw compression nut onto outlet end with adjustable wrench. Do not overtighten.
8. Place the free end of the tubing in a container or sink, and turn ON the main water supply. Flush the tubing until water is clear. Turn OFF the shutoff valve on the water pipe. Coil the copper tubing.

### Connect to Refrigerator

1. Unplug refrigerator or disconnect power.
2. Attach the copper tubing to the valve inlet using a compression nut and sleeve as shown. Tighten the compression nut. Do not overtighten.
3. Use the tube clamp on the back of the refrigerator to secure the tubing to the refrigerator as shown. This will help avoid damage to the tubing when the refrigerator is pushed back against the wall.
4. Turn shutoff valve ON.
5. Check for leaks. Tighten any connections (including connections at the valve) or nuts that leak.



- A. Tube clamp
- B. Tube clamp screw
- C. Copper tubing
- D. Compression nut
- E. Valve inlet

6. The ice maker is equipped with a built-in water strainer. If your water conditions require a second water strainer, install it in the 1/4" (6.35 mm) water line at either tube connection. Obtain a water strainer from your nearest appliance dealer.

### Complete the Installation

## ⚠ WARNING



### Electrical Shock Hazard

**Plug into a grounded 3 prong outlet.**

**Do not remove ground prong.**

**Do not use an adapter.**

**Do not use an extension cord.**

**Failure to follow these instructions can result in death, fire, or electrical shock.**

1. Plug into a grounded 3 prong outlet.

**NOTE:** Allow 24 hours to produce the first batch of ice. Discard the first three batches of ice produced. Allow 3 days to completely fill ice container.

## Refrigerator Doors

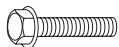
Depending on the width of your doorway, you may need to remove the doors to move the refrigerator into your home. Also, the door hinges are factory installed on the right-hand side. If you want the door to open from the other direction, you must reverse the door swing.

### IMPORTANT:

- Before you begin, turn the refrigerator control OFF, unplug refrigerator or disconnect power. Remove food and any adjustable door or utility bins from doors.
- If you are only removing and replacing the doors, see the “Remove Doors and Hinges” and “Replace Doors and Hinges” sections.
- All graphics referenced in the following instructions are included later in this section after “Final Steps.”

**Tools Needed:**  $\frac{5}{16}$ " Hex-head socket wrench, #2 Phillips screwdriver, Flat-blade screwdriver,  $\frac{5}{16}$ " Open-end wrench, Flat 2" putty knife.

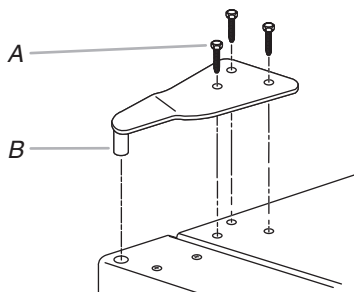
### Remove Doors and Hinges



$\frac{5}{16}$ " Hex-head hinge screw

1. Unplug refrigerator or disconnect power.
2. Using a Hex-head socket wrench, remove the three  $\frac{5}{16}$ " Hex-head hinge screws from the top hinge and lift up to remove the hinge. See Top Hinge graphic.

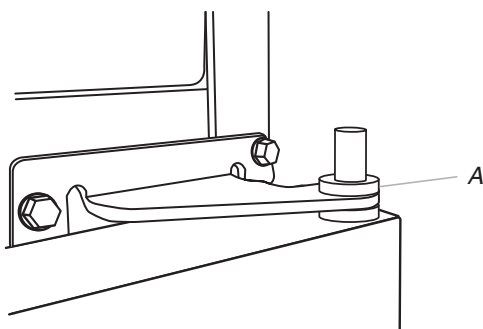
**NOTE:** Provide additional support for the doors while the hinges are being moved. Do not depend on the door magnets to hold the doors in place while you are working.



A.  $\frac{5}{16}$ " Hex-head hinge screw

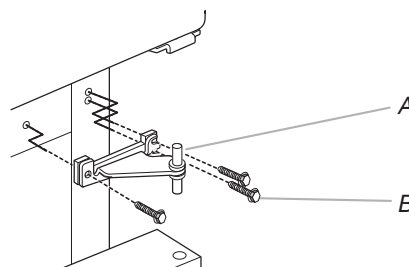
B. Top hinge pin

3. Lift the freezer door off of the center hinge and set it aside.
4. Remove the washer from the top of the center hinge pin.



A. Washer

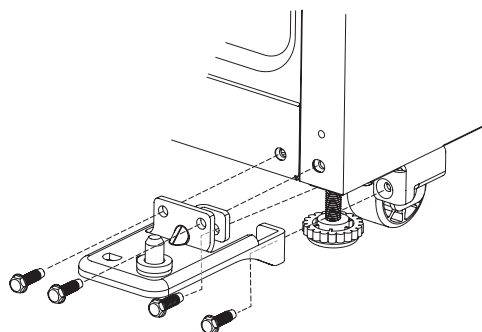
5. Using a Hex-head socket wrench and an open-end wrench, remove the three screws from the center hinge and remove the hinge. Set aside.



A. Center hinge

B.  $\frac{5}{16}$ " Hex-head hinge screw

6. Remove the washer from the bottom of the center hinge pin.
7. Lift the refrigerator door from the bottom hinge and set aside.
8. Using a Hex-head socket wrench, remove the four  $\frac{5}{16}$ " Hex-head socket screws from the bottom hinge and pull the hinge from the bottom of the refrigerator door.



### Reverse Doors (optional)

**IMPORTANT:** If you want to reverse your doors so that they open in the opposite direction, follow these steps. If you are not reversing the doors, see “Replace Doors and Hinges.” Graphics follow these instructions.



Door Stop Screw



Door Hinge Hole Plug



Dome Cap



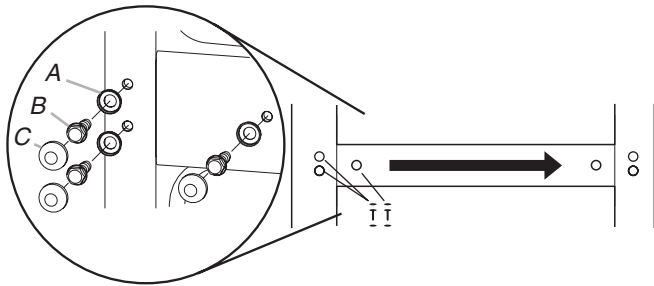
Cabinet Hinge Hole Plug



Dome Cap Washer

### Reverse Center Hinge

1. Remove the three dome caps and screws from the handle side and use them to fill the holes created when the hinge screws were removed.

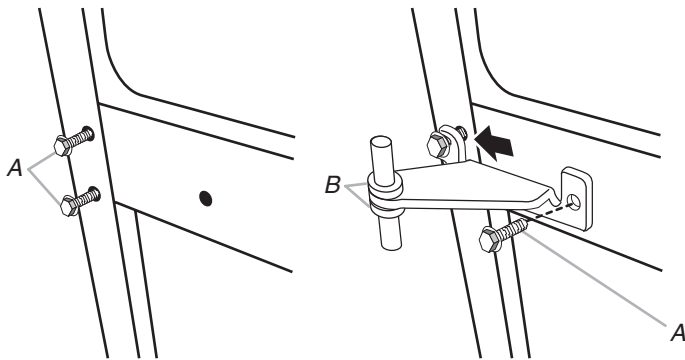


A. Dome cap washers  
B. Hex-head hinge screws

C. Dome Caps

2. Using the three 5/16" hex-head hinge screws, removed in Step 1, insert two screws halfway into the holes, leaving space to insert the center hinge.
3. Once the refrigerator door is in place, slide the center hinge from the right onto the screws, insert the third screw, and then tighten all screws completely.

**NOTE:** Make sure the washers are in place on both the top and bottom pins of the center hinge.



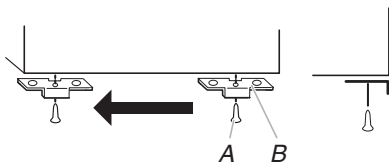
A. 5/16" Hex-head hinge screws  
B. Washers

### Reverse Freezer Door

1. Remove the three cabinet hole plugs from the top of the cabinet and place them in the hinge holes on the opposite side.

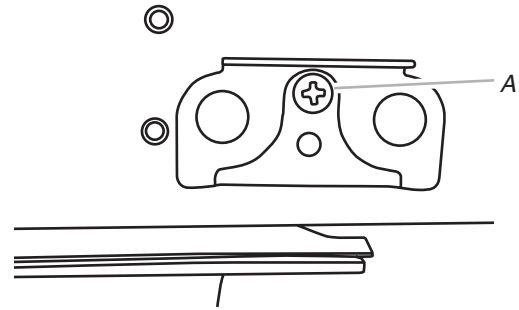


2. Remove the door stop from the bottom of the freezer door.



A. Door stop screw  
B. Door stop

3. Move the door stop to the opposite side, making sure that the hole in the door stop plate is aligned perfectly with the hole for the center hinge pin.
4. Using the screw removed in Step 2, fasten the door stop to the bottom of the freezer door.

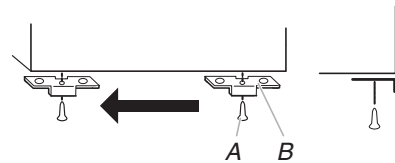


A. Door stop screw

5. Set aside the freezer door until the hinges and refrigerator door are in place.

### Reverse Refrigerator Door

1. Remove the door stop from the bottom of the refrigerator door.



A. Door stop screw  
B. Door stop

2. Replace the door stop on the opposite side of the refrigerator door, making sure that the hole in the door stop plate is aligned perfectly with the hole for the bottom hinge pin.
3. Fasten the door stop to the door.
4. Remove door hinge hole plug from freezer door. Move to opposite side.
5. Set aside refrigerator door until bottom hinge is installed on the opposite side of the refrigerator.

## Replace Doors and Hinges

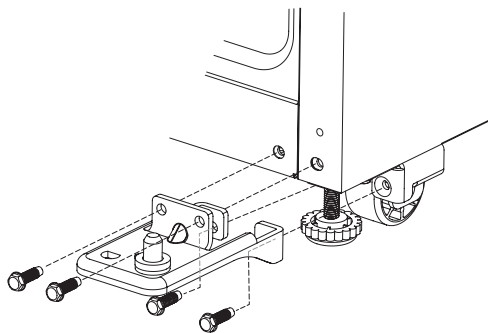
**IMPORTANT:** Provide additional support for the doors while the hinges are being moved. Do not depend on the door magnets to hold the doors in place while you are working.

### Reverse Top Hinge

1. Place the plastic spacer beneath the hinge so that it will be between the hinge and the cabinet, making sure the holes are aligned.
2. Fasten the Top Hinge to the opposite side of the cabinet, inserting the screws only halfway, so you will be able to replace and align the freezer door later.

### Install Refrigerator Door

1. Insert the bottom hinge pin into the bottom hinge and fasten the hinge to the cabinet. Do not tighten completely.
2. Place the washer on top of the bottom hinge pin.
3. Place the refrigerator door onto the pin of the bottom hinge.



4. Measure the distance from the bottom of the refrigerator door to the floor. The distance should be approximately 1 $\frac{1}{2}$ " (4.6 cm).

**NOTE:** If necessary, loosen the bottom hinge, without removing the screws, adjust the door to the correct height and fully tighten the screws.

### Install Freezer Door

1. Place washer on the upper hinge pin of the center hinge.
2. Place the freezer door on the upper hinge pin of the center hinge.
3. Insert the top hinge pin into the drilled hole in the top of the freezer door. Do not tighten the screws completely.
4. Align the doors so that the bottom of the freezer door aligns evenly with the top of the refrigerator door. Tighten all screws.

**NOTE:** The distance between the doors should be approximately  $\frac{3}{4}$ " (19 mm).

## Final Steps

### **⚠ WARNING**



#### Electrical Shock Hazard

**Plug into a grounded 3 prong outlet.**

**Do not remove ground prong.**

**Do not use an adapter.**

**Do not use an extension cord.**

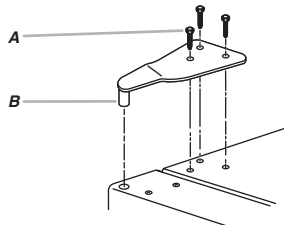
**Failure to follow these instructions can result in death, fire, or electrical shock.**

1. Plug into a grounded 3 prong outlet.
2. Reset the controls. See "Using the Controls."
3. Return all removable door parts to doors and the food to the refrigerator.



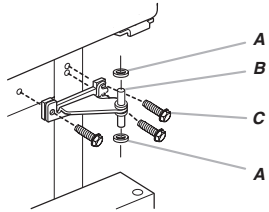
## Door Removal & Replacement

### Top Hinge



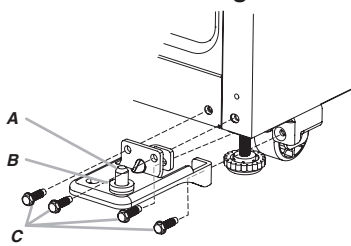
A.  $\frac{5}{16}$ " Hex-Head Hinge Screws  
B. Top Hinge

### Center Hinge



A. Washer  
B. Center Hinge  
C.  $\frac{5}{16}$ " Hex-Head Hinge Screws

### Bottom Hinge

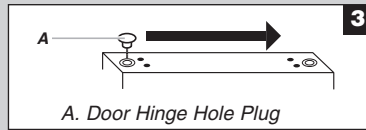


A. Bottom Hinge  
B. Washer  
C.  $\frac{5}{16}$ " Hex-Head Hinge Screws

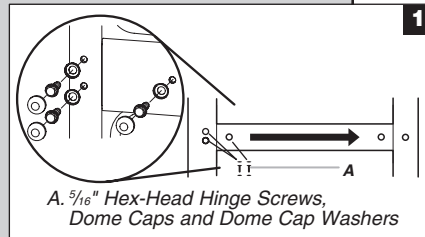
## Door Swing Reversal (optional)



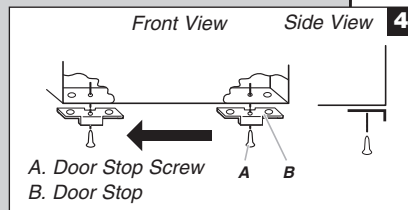
A. Cabinet Hinge Hole Plugs



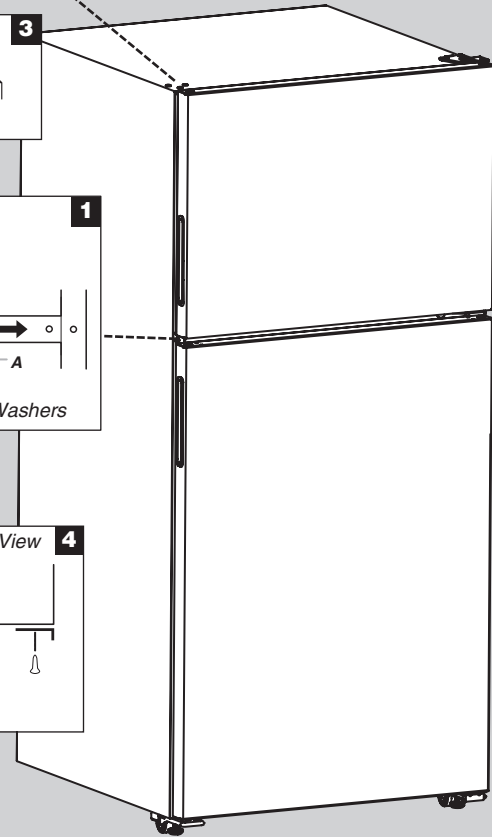
A. Door Hinge Hole Plug



A.  $\frac{5}{16}$ " Hex-Head Hinge Screws,  
Dome Caps and Dome Cap Washers



A. Door Stop Screw  
B. Door Stop



## Adjust the Doors

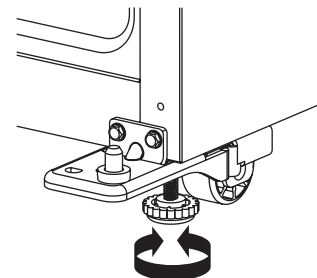
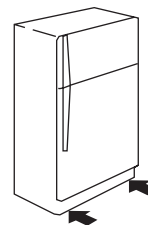
**IMPORTANT:** Your refrigerator complies with Americans with Disabilities Act (ADA) guidelines.

### Door Closing

Your refrigerator has two front adjustable levelers - one on the right and one on the left. If your refrigerator seems unsteady or you want the doors to close easier, adjust the refrigerator's tilt using the following instructions:

1. Turn the leveler to lower or raise that side of the refrigerator. It may take several turns to adjust the tilt of the refrigerator.
  - To raise, turn the leveler to the right.
  - To lower, turn the leveler to the left.

**NOTE:** Having someone push against the top of the refrigerator takes some weight off the levelers and rollers which makes it easier to adjust.



- Open both doors again to make sure they close as easily as you like. If not, tilt the refrigerator slightly more to the rear by turning both leveling legs to the left; it may take several more turns.

**NOTE:** To keep the refrigerator level, you should turn both leveling legs the same amount.

- Using a level, be sure that the refrigerator is still level side to side. Readjust if necessary.

### Door Aligning

If the space between your doors looks uneven, you can adjust it using the following instructions:

- Depending on your model, remove the Top Hinge cover.
- Loosen the top hinge screws using a 5/16" socket or wrench.
- Have someone hold the door in place or put a spacer between the doors while you tighten the top hinge screws.
- Replace the Top Hinge cover if removed in Step 1.

## REFRIGERATOR USE

### Using the Controls

Your refrigerator has two controls that affect the temperature. The Temperature control is located at the top front of the refrigerator compartment and the Airflow control is located on the back wall of the freezer compartment.

#### IMPORTANT:

- The recommended setting should be correct for normal household refrigerator use. The controls are set correctly when milk or juice is as cold as you like and when ice cream is firm.
- Wait 24 hours for your refrigerator to cool completely before adding food. If you add food before the refrigerator has cooled completely, your food may spoil.

**NOTE:** Adjusting the refrigerator and freezer temperature controls to a colder than recommended setting will not cool the compartments any faster.

- If the temperature is too warm or too cold in the refrigerator or freezer, first check the air vents to be sure they are not blocked before adjusting the controls.

### Temperature Control

For your convenience, the temperature control is preset at the factory. When you first install your refrigerator, make sure the control is still preset as shown.

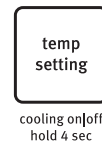
#### Recommended Setting



### Cooling On/Off

To turn cooling off, press and hold TEMP SETTING for 4 seconds until all lights turn ON for 1 second. To turn cooling back on, press and hold TEMP SETTING again for 4 seconds.

**NOTE:** Neither compartment will cool when the control is set to OFF.



### Adjusting the Temperature Control

If you need to adjust the temperature in either the refrigerator or freezer compartment, use the settings listed in the following chart as a guide.

**NOTE:** Except when starting the refrigerator, do not adjust the control more than one setting at a time. Wait 24 hours between adjustments for the temperature to stabilize.

- Press TEMP SETTING to toggle between the three LED lights which indicate the temperature setting. Reading from left to right, the LED in the first position is the least cold. The LEDs indicate increasingly colder settings as you continue to the right until all three LEDs are illuminated.

**NOTE:** For the first to third setting, only one LED of the three LEDs will be lit. All three LEDs will be lit when you have reached the PowerCold™ setting (the coldest setting).

CONDITION/REASON:	ADJUSTMENT:
REFRIGERATOR too warm	TEMP SETTING Control one setting higher
FREEZER to warm/too little ice	AIRFLOW or TEMP SETTING Control one setting higher
REFRIGERATOR too cold	TEMP SETTING Control one setting lower
FREEZER too cold	AIRFLOW or TEMP SETTING Control one setting lower

### Additional Feature

#### PowerCold™ Feature

The PowerCold™ feature sets the freezer and refrigerator to the lowest temperature settings to assist with periods of high refrigerator use, full grocery loads or temporarily warm room temperatures.

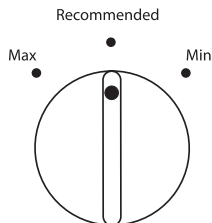
- To turn on the PowerCold feature, press TEMP SETTING continually until all the LED lights are illuminated. Press TEMP SETTING again to return to the Cold set point.

**NOTE:** All three LED lights are on when the refrigerator is in PowerCold mode. The PowerCold feature will turn off automatically after 24 hours and the temperature will return to the Coldestset point.

## Airflow Control

The Airflow control regulates the amount of air flowing between the freezer and the refrigerator compartments.

When you plug in the refrigerator for the first time, turn the Airflow control to the Recommended setting.



### Adjusting the Airflow Control

If you want to temporarily increase the cold airflow to a specific compartment, adjust the control.

- Max - Increase airflow to the freezer
- Min - Increase airflow to the refrigerator

**IMPORTANT:** Once the performance is achieved, return the Airflow control to the Recommended setting to keep the refrigerator operating at optimum efficiency.

CONDITION/REASON:	ADJUSTMENT:
Heavy ice use	Max
Hot room temperature	Max - To maintain ice making production rate
Large quantity of groceries	Min - To quickly chill food and beverages

# REFRIGERATOR FEATURES

Your model may have some or all of these features.

### Important information to know about glass shelves and covers:

Do not clean glass shelves or covers with warm water when they are cold. Shelves and covers may break if exposed to sudden temperature changes or impact, such as bumping. Tempered glass is designed to shatter into many small, pebble-size pieces. This is normal. Glass shelves and covers are heavy. Use both hands when removing them to avoid dropping.

## Refrigerator Shelves

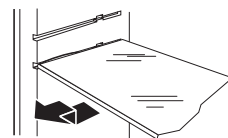
The shelves in your refrigerator are adjustable to match your individual storage needs.

Storing similar food items together in your refrigerator and adjusting the shelves to fit different heights of items will make finding the exact item you want easier. It will also reduce the amount of time the refrigerator door is open, and save energy.

### To remove and replace a shelf:

1. Remove items from the shelf.
2. Slide the shelf straight out to the stop.
3. Depending on your model, lift back or front of the shelf past the stop. Slide shelf out the rest of the way.
4. Replace the shelf by sliding the back of the shelf into the track in the wall of the cabinet.

5. Guide the front of the shelf into the shelf track. Be sure to slide the shelf in all the way.



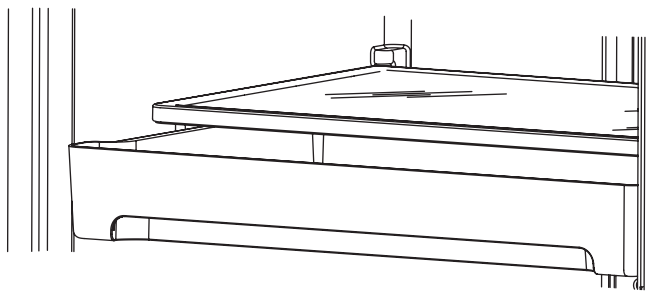
## Deli Drawer

The deli drawer design allows flexible positioning.

### Deli Drawer

#### To remove and replace deli drawer:

1. Slide deli drawer out to the stop.
2. Lift front of deli drawer with one hand while supporting bottom of drawer with other hand. Slide drawer out the rest of the way.
3. Replace the drawer by sliding it back in fully past the drawer stop.



## Meat Storage Guide

Store most meat in original wrapping as long as it is airtight and moisture-proof. Rewrap if necessary. See the following chart for storage times. When storing meat longer than the times given, freeze the meat.

- Fresh fish or shellfish..... use same day as purchased
- Chicken, ground beef, variety meat (liver, etc.) ..... 1-2 days
- Cold cuts, steaks/roasts ..... 3-5 days
- Cured meats..... 7-10 days
- Leftovers - Cover leftovers with plastic wrap, aluminum foil, or plastic containers with tight lids.

## Crisper

### Crisper Drawers

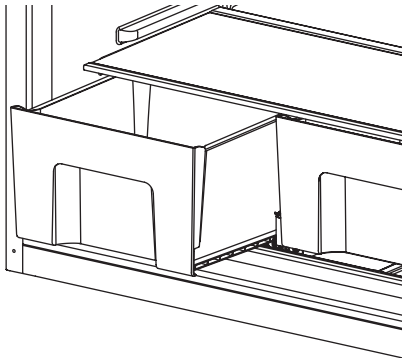
#### To remove and replace the crisper drawer:

1. Slide the crisper drawer straight out to the stop. Lift the front and slide the drawer out the rest of the way.
2. Replace the drawer by sliding the drawer in fully past the stop.

## Crisper Cover

### To remove and replace the crisper cover:

1. Remove the crisper(s).
2. Pull the glass straight out.
3. Replace the glass by pushing it straight in.



## Crisper Humidity Control

You can control the amount of humidity in the moisture-sealed crisper. Adjust the control to LOW or HIGH.

LOW (open) lets moist air out of the crisper for best storage of fruits and vegetables with skins.

- Fruit: Wash, let dry and store in refrigerator in plastic bag or crisper. Do not wash or hull berries until they are ready to use. Sort and keep berries in original container in crisper, or store in a loosely closed paper bag on a refrigerator shelf.
- Vegetables with skins: Place in plastic bag or plastic container and store in crisper.

HIGH (closed) keeps moist air in the crisper for best storage of fresh, leafy vegetables.

- Leafy vegetables: Wash in cold water, drain and trim or tear off bruised and discolored areas. Place in plastic bag or plastic container and store in crisper.

## FREEZER FEATURES

Your model may have some or all of these features.

### Important information to know about glass shelves and covers:

Do not clean glass shelves or covers with warm water when they are cold. Shelves and covers may break if exposed to sudden temperature changes or impact, such as bumping. Tempered glass is designed to shatter into many small, pebble-size pieces. This is normal. Glass shelves and covers are heavy. Use both hands when removing them to avoid dropping.

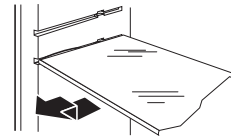
## Freezer Shelf

Depending on your model, the shelf may be wire or glass.

### To remove and replace a shelf:

1. Remove items from the shelf.
2. Slide the shelf straight out to the stop.
3. Depending on your model, lift back or front of the shelf past the stop. Slide shelf out the rest of the way.
4. Replace the shelf by sliding the back of the shelf into the track in the wall of the cabinet.

5. Guide the front of the shelf into the shelf track. Be sure to slide the shelf in all the way.



## Frozen Food Storage Guide

Storage times will vary according to the quality and type of food, the type of packaging or wrap used (should be airtight and moisture-proof), and the storage temperature. Seal the package or container securely to avoid taste and odor transfer throughout the product. Ice crystals inside a sealed package are normal. This simply means that moisture in the food and air inside the package have condensed, creating ice crystals.

Put no more unfrozen food into the freezer than will freeze within 24 hours (no more than 2 to 3 lbs of food per cubic foot [907 to 1,350 g per L] of freezer space). Leave enough space in the freezer for air to circulate around packages. The freezer door must close tightly.

**NOTE:** For more information on preparing food for freezing, check a freezer guide or reliable cookbook.

## DOOR FEATURES

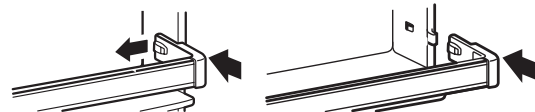
Your model may have some or all of these features.

### Door Rails

The door rails may be removed for easier cleaning.

#### To remove and replace the rails:

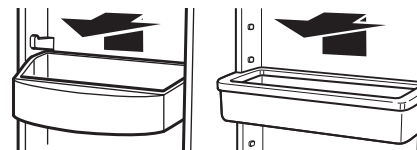
1. Depending on your model, remove the rails by pushing in slightly on the front of the bracket while pulling out on the inside tab. Repeat these steps for the other end.
2. Replace the rails by aligning the ends of the brackets with the buttons on the sides of the door liner. Firmly snap bracket and assembly onto the tabs above the shelf as shown.



### Door Bins

#### To remove and replace the bins:

1. Remove the bin by lifting it and pulling it straight out.
2. Replace the bin by sliding it in above the desired support and pushing it down until it stops.

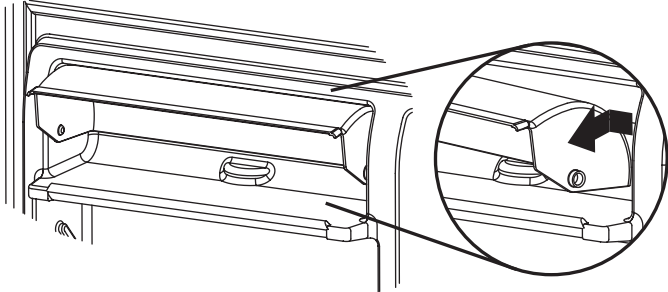


## Utility Compartment

The utility compartment may be removed for easier cleaning.

### To remove and replace the utility compartment:

1. Remove the utility compartment by squeezing against one side while raising the utility compartment up and pulling it straight out.
2. Replace the utility compartment by positioning one side in the lock and sliding in the opposite side until it stops.



## Ice Maker

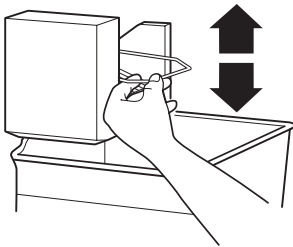
**IMPORTANT:** For models with a water filter, after connecting the refrigerator to a water source or replacing the water filter, fill and discard three full containers of ice to prepare the water filter for use.

### Turning the Ice Maker On/Off

To turn the ice maker ON, simply lower the wire shutoff arm.

To manually turn the ice maker OFF, lift the wire shutoff arm to the OFF (arm up) position and listen for the click.

**NOTE:** Your ice maker has an automatic shutoff. As ice is made, the ice cubes will fill the ice storage bin and the ice cubes will raise the wire shutoff arm to the OFF (arm up) position. Do not force the wire shutoff arm up or down.



### Ice Storage Bin

1. Wash the ice storage bin with mild soap and warm water.
2. Slide the ice storage bin under the ice maker, and push it toward the back as far as it will go.
3. Lower the arm on the ice maker to the "ON" position.

**NOTE:** It usually takes approximately 24 hours for the ice maker to begin producing ice. You may notice the ice has an "off-taste." If so, discard the first three batches of ice produced. After that the "off-taste" should be gone.

### Ice Production Rate

- The ice maker should produce approximately 8 to 12 batches of ice in a 24-hour period. Allow 3 days to completely fill the ice container.
- To increase ice production, lower the freezer and refrigerator temperature. See "Using the Controls." Wait 24 hours between adjustments.

## Remember

- The quality of your ice will be only as good as the quality of the water supplied to your ice maker. Avoid connecting the ice maker to a softened water supply. Water softener chemicals (such as salt) can damage parts of the ice maker and lead to poor quality ice. If a softened water supply cannot be avoided, make sure the water softener is operating properly and is well maintained.
- Do not use anything sharp to break up the ice in the bin. This can cause damage to the ice storage bin and the dispenser mechanism.
- Do not store anything on top of or in the ice maker or ice storage bin.

## REFRIGERATOR CARE

### Cleaning

## ! WARNING



### Explosion Hazard

Use nonflammable cleaner.

Failure to do so can result in death, explosion, or fire.

Both the refrigerator and freezer sections defrost automatically. However, clean both sections about once a month to avoid buildup of odors. Wipe up spills immediately.

### IMPORTANT:

- Because air circulates between both sections, any odors formed in one section will transfer to the other. You must thoroughly clean both sections to eliminate odors. To avoid odor transfer and drying out of food, wrap or cover foods tightly.
- For stainless steel models, stainless steel is corrosion resistant and not corrosion-proof. To help avoid corrosion of your stainless steel, keep your surfaces clean by using the following cleaning instructions.

### To Clean Your Refrigerator:

**NOTE:** Do not use abrasive or harsh cleaners such as window sprays, scouring cleansers, flammable fluids, muriatic acid, cleaning waxes, concentrated detergents, bleaches or cleansers containing petroleum products on exterior surfaces (doors and cabinet), plastic parts, interior and door liners or gaskets. Do not use paper towels, scouring pads, or other harsh cleaning tools.

1. Unplug refrigerator or disconnect power.
2. Hand wash, rinse, and dry removable parts and interior surfaces thoroughly. Use a clean sponge or soft cloth and a mild detergent in warm water.
3. Clean the exterior surfaces.

**Painted metal:** Wash painted metal exteriors with a clean, soft cloth or sponge and a mild detergent in warm water. Rinse surfaces with clean, warm water and dry immediately to avoid water spots.

**Stainless steel:** Wash stainless steel surfaces with a clean, soft cloth or sponge and a mild detergent in warm water. Rinse surfaces with clean, warm water and dry immediately to avoid water spots.

**NOTE:** When cleaning stainless steel, always wipe in the direction of the grain to avoid cross-grain scratching.

- There is no need for routine condenser cleaning in normal home operating environments. If the environment is particularly greasy or dusty, or there is significant pet traffic in the home, the condenser should be cleaned every 2 to 3 months to ensure maximum efficiency.

If you need to clean the condenser:

- Remove the base grille.
  - Use a vacuum cleaner with a soft brush to clean the grille, the open areas behind the grille and the front surface area of the condenser.
  - Replace the base grille when finished.
- Plug in refrigerator or reconnect power.

---

### Changing the Light Bulb

**IMPORTANT:** Depending on your model, the light bulb in the your new refrigerator may use LED technology. If your model uses LED lighting and the light does not illuminate when the refrigerator door is opened, call for assistance or service. See Warranty for phone numbers.

---

#### Refrigerator Compartment Light

The refrigerator light bulb is located behind the control.

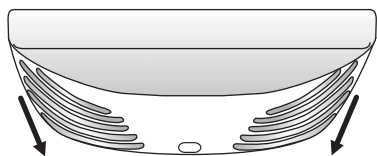
- Unplug refrigerator or disconnect power.
- Remove the light bulb and replace it with an appliance bulb of the same size and shape.
  - To replace the bulb in the refrigerator compartment with an LED light bulb, order part number W10565137 (3.6 watts).
 

**NOTE:** Some LED replacement bulbs are not recommended for wet/damp environments. The refrigerator and freezer compartments are considered to be wet/damp environments. If using a brand of LED bulb other than the Whirlpool recommended LED bulb, before installation, read and follow all instructions on the LED packaging.
  - If an incandescent bulb is used to replace an LED bulb, use only incandescent bulbs for household appliances with a maximum of 60 watts.
- Plug in refrigerator or reconnect power.

---

#### Freezer Compartment Light

- Unplug refrigerator or disconnect power.
- Remove the light shield (on some models).
  - Top of the freezer compartment - Slide the light shield toward the back of the compartment to release it from the light assembly.



- Remove the light bulb and replace it with an appliance bulb of the same size and shape.
  - To replace an LED light bulb in the freezer compartment, order part number W10574850 (2.0 watts).
 

**NOTE:** Some LED replacement bulbs are not recommended for wet/damp environments. The refrigerator and freezer compartments are considered to be wet/damp environments. If using a brand of LED bulb other than the recommended LED bulb, before installation, read and follow all instructions on the LED packaging.

- If an incandescent bulb is used to replace an LED bulb, use only incandescent bulbs for household appliances with a maximum of 25 watts.

- Replace the light shield.
- Plug in refrigerator or reconnect power.

---

## Vacation and Moving Care

---

### Vacations

#### If You Choose to Leave the Refrigerator On While You're Away:

- Use up any perishables and freeze other items.
- If your refrigerator has an automatic ice maker, and is connected to the household water supply, turn off the water supply to the refrigerator. Property damage can occur if the water supply is not turned off.
- If you have an automatic ice maker, turn off the ice maker.
 

**NOTE:** Raise the wire shutoff arm to OFF (up) position.
- Empty the ice bin.

#### If You Choose to Turn Off the Refrigerator Before You Leave:

- Remove all food from the refrigerator.
- If your refrigerator has an automatic ice maker:
  - Turn off the water supply to the ice maker at least one day ahead of time.
  - When the last load of ice drops, raise the wire shutoff arm to the OFF (up) position.
- Turn off the Temperature control(s). See "Using the Controls."
- Clean refrigerator, wipe it, and dry well.
- Tape rubber or wood blocks to the tops of both doors to prop them open far enough for air to get in. This stops odor and mold from building up.

---

### Moving

When you are moving your refrigerator to a new home, follow these steps to prepare it for the move.

- If your refrigerator has an automatic ice maker:
  - Turn off the water supply to the ice maker at least one day ahead of time.
  - Disconnect the water line from the back of the refrigerator.
  - When the last load of ice drops, raise the wire shutoff arm to the OFF (up) position.
- Remove all food from the refrigerator and pack all frozen food in dry ice.
- Empty the ice bin.
- Turn off the Temperature control(s). See "Using the Controls."
- Unplug refrigerator.
- Clean, wipe, and dry thoroughly.
- Take out all removable parts, wrap them well, and tape them together so they don't shift and rattle during the move.
- Depending on the model, raise the front of the refrigerator so it rolls more easily OR raise the leveling screws so they don't scrape the floor. See "Adjust the Door(s)" or "Door Closing and Door Alignment."
- Tape the doors closed and tape the power cord to the back of the refrigerator.

When you get to your new home, put everything back and refer to the "Installation Instructions" section for preparation instructions. Also, if your refrigerator has an automatic ice maker, remember to reconnect the water supply to the refrigerator.

# TROUBLESHOOTING

First try the solutions suggested here. If you need further assistance or more recommendations that may help you avoid a service call, refer to the warranty page in this manual and scan the code with your mobile device, or visit [www.maytag.com/product\\_help](http://www.maytag.com/product_help). In Canada, visit [www.maytag.ca](http://www.maytag.ca).

Contact us by mail with any questions or concerns at the address below:

In the U.S.A.:

Maytag Brand Home Appliances  
Customer eXperience Center  
553 Benson Road  
Benton Harbor, MI 49022-2692

In Canada:

Maytag Brand Home Appliances  
Customer eXperience Centre  
200 – 6750 Century Ave.  
Mississauga, Ontario L5N 0B7

Please include a daytime phone number in your correspondence.

## Refrigerator Operation

### The refrigerator will not operate

#### ⚠ WARNING



#### Electrical Shock Hazard

**Plug into a grounded 3 prong outlet.**

**Do not remove ground prong.**

**Do not use an adapter.**

**Do not use an extension cord.**

**Failure to follow these instructions can result in death, fire, or electrical shock.**

- **Power cord unplugged?** Plug into a grounded 3 prong outlet.
- **Is outlet working?** Plug in a lamp to see if the outlet is working.
- **Household fuse blown or circuit breaker tripped?** Replace the fuse or reset the circuit breaker. If the problem continues, call an electrician.
- **Control(s) on?** Make sure the refrigerator control is on. See “Using the Controls.”
- **New installation?** Allow 24 hours following installation for the refrigerator to cool completely.  
**NOTE:** Adjusting the temperature control(s) to coldest setting will not cool the refrigerator more quickly.

### The lights do not work

**Light bulb burned out?** Replace light bulb. See Changing the Light Bulb.”

### The motor seems to run too much

Your new refrigerator may run longer than your old one due to its high-efficiency compressor and fans. The unit may run even longer if the room is warm, a large food load is added, the door is opened often, or if the door has been left open.

### The refrigerator seems noisy

Refrigerator noise has been reduced over the years. Due to this reduction, you may hear intermittent noises from your new refrigerator that you did not notice from your old model. Below are listed some normal sounds with explanations.

- **Buzzing** - Heard when the water valve opens to fill the ice maker.
- **Pulsating** - Fans/compressor adjusting to optimize performance.
- **Hissing/Rattling** - Flow of refrigerant, movement of water lines, or from items placed on top of the refrigerator.
- **Sizzling/Gurgling** - Water dripping on the heater during defrost cycle.
- **Popping** - Contraction/expansion of inside walls, especially during initial cool-down.
- **Water running/dripping** - May be heard when ice melts during defrosting and water runs into the drain pan.
- **Creaking/Cracking** - Occurs as ice is being ejected from the ice maker mold.

### The doors will not close completely or they pop open

- **Door blocked open?** Move food packages away from door.
- **Bin or shelf in the way?** Push bin or shelf back in the correct position. fans/compressor adjusting to optimize performance
- **Crisper cover in the way?** Make sure the crisper cover is fully pushed in, so that the back rests on the supports.
- **Refrigerator not tilted toward the rear?** So the doors will close easier, raise the front of the refrigerator so that it tilts slightly downward toward the rear. See “Adjust the Doors.”
- **Door closed too quickly?** Close the door slowly and firmly to keep the door from popping open.

---

### The door is difficult to open

---

## **WARNING**



### Explosion Hazard

Use nonflammable cleaner.

Failure to do so can result in death, explosion, or fire.

- **Gaskets dirty or sticky?** Clean gaskets and contact surfaces with mild soap and warm water. Rinse and dry with soft cloth.

---

## Temperature and Moisture

---

### Temperature is too warm

---

- **New installation?** Allow 24 hours following installation for the refrigerator to cool completely.
- **Door opened often or left open?** Allows warm air to enter refrigerator. Minimize door openings and keep door fully closed.
- **Large load of food added?** Allow several hours for refrigerator to return to normal temperature.
- **Control(s) set correctly for the surrounding conditions?** Adjust the control(s) a setting colder. Check temperature in 24 hours. See "Using the Controls."

---

### There is interior moisture buildup

---

**NOTE:** Some moisture buildup is normal.

- **Humid room?** Contributes to moisture buildup.
- **Door opened often or left open?** Allows humid air to enter refrigerator. Minimize door openings and keep door fully closed.

---

## Ice and Water

---

### The ice maker is not producing ice or not enough ice

---

- **Refrigerator connected to a water supply and the supply shutoff valve turned on?** Connect refrigerator to water supply and turn water shutoff valve fully open.
- **Kink in the water source line?** A kink in the line can reduce water flow. Straighten the water source line.
- **Ice maker turned on?** Make sure wire shutoff arm or switch (depending on model) is in the ON position.
- **New installation?** Wait 24 hours after ice maker installation for ice production to begin. Allow 3 days to completely fill the ice container.
- **Large amount of ice recently removed?** Allow 24 hours for ice maker to produce more ice.
- **Ice cube jammed in the ice maker ejector arm?** Remove ice from the ejector arm with a plastic utensil.
- **Reverse osmosis water filtration system connected to your cold water supply?** This can decrease water pressure. See "Water Supply Requirements."

---

### The ice cubes are hollow or small

---

**NOTE:** This is an indication of low water pressure.

- **Water shutoff valve not fully open?** Turn the water shutoff valve fully open.
- **Kink in the water source line?** A kink in the line can reduce water flow. Straighten the water source line.
- **Reverse osmosis water filtration system connected to your cold water supply?** This can decrease water pressure. See "Water Supply Requirements."
- **Questions remain regarding water pressure?** Call a licensed, qualified plumber.

---

### Off-taste, odor or gray color in the ice

---

- **New plumbing connections?** New plumbing connections can cause discolored or off-flavored ice.
- **Ice stored too long?** Discard ice. Wash ice bin. Allow 24 hours for ice maker to make new ice.
- **Odor transfer from food?** Use airtight, moisture proof packaging to store food.
- **Are there minerals (such as sulfur) in the water?** A water filter may need to be installed to remove the minerals.

---

## ACCESSORIES

The following accessories are available for your refrigerator. To order, contact us and ask for the Part Number.

In the U.S.A., visit [www.maytag.com/accessories](http://www.maytag.com/accessories) or call 1-800-688-9900.

In Canada, visit [www.maytag.ca](http://www.maytag.ca) or call 1-800-807-6777.

### **affresh® Stainless Steel Cleaner:**

In U.S.A., order Part #W10355016

In Canada, order Part #W10355016B

### **affresh® Stainless Steel Wipes:**

In U.S.A., order Part #W10355049

In Canada, order Part #W10355049B

### **affresh® Kitchen & Appliance Cleaner:**

In U.S.A., order Part #W10355010

In Canada, order Part #W10355010B

### **Air Filter:**

Order Part #W10311524

### **Reversibility Kit:**

Order Part # W10395149



# MAYTAG® REFRIGERATION LIMITED WARRANTY

ATTACH YOUR RECEIPT HERE. PROOF OF PURCHASE IS REQUIRED TO OBTAIN WARRANTY SERVICE.

Please have the following information available when you call the Customer eXperience Center:

- Name, address and telephone number
- Model number and serial number
- A clear, detailed description of the problem
- Proof of purchase including dealer or retailer name and address

## IF YOU NEED SERVICE:

1. Before contacting us to arrange service, please determine whether your product requires repair. Some questions can be addressed without service. Please take a few minutes to review the Troubleshooting or Problem Solver section of the Use and Care Guide, scan the QR code on the right to access additional resources, or visit [https://www.maytag.com/product\\_help](https://www.maytag.com/product_help).
2. All warranty service is provided exclusively by our authorized Maytag Service Providers. In the U.S. and Canada, direct all requests for warranty service to:



[https://www.maytag.com/product\\_help](https://www.maytag.com/product_help)

**Maytag Customer eXperience Center**

**In the U.S.A., call 1-800-688-9900. In Canada, call 1-800-807-6777.**

If outside the 50 United States or Canada, contact your authorized Maytag dealer to determine whether another warranty applies.

## TEN YEAR LIMITED WARRANTY

### WHAT IS COVERED

### WHAT IS NOT COVERED

#### FIRST YEAR LIMITED WARRANTY (PARTS AND LABOR)

For one year from the date of purchase, when this major appliance is installed, operated and maintained according to instructions attached to or furnished with the product, Maytag brand of Whirlpool Corporation or Whirlpool Canada, LP (hereafter "Maytag") will pay for factory specified replacement parts and repair labor to correct defects in materials or workmanship that existed when this major appliance was purchased, or at its sole discretion replace the product. In the event of product replacement, your appliance will be warranted for the remaining term of the original unit's warranty period.

#### SECOND THROUGH TENTH YEAR LIMITED WARRANTY (COMPRESSOR ONLY - LABOR NOT INCLUDED)

In the second through tenth years from the date of original purchase, when this major appliance is installed, operated and maintained according to instructions attached to or furnished with the product, Maytag will pay for a factory specified replacement compressor to correct non-cosmetic defects in materials or workmanship in this part that prevent function of the refrigerator and that existed when this major appliance was purchased. This limited 10-year warranty is for the compressor only and does not include labor.

YOUR SOLE AND EXCLUSIVE REMEDY UNDER THIS LIMITED WARRANTY SHALL BE PRODUCT REPAIR AS PROVIDED HEREIN. Service must be provided by a Maytag designated service company. This limited warranty is valid only in the United States or Canada and applies only when the major appliance is used in the country in which it was purchased. This limited warranty is effective from the date of original consumer purchase. Proof of original purchase date is required to obtain service under this limited warranty.

1. Commercial, non-residential or multiple-family use, or use inconsistent with published user, operator or installation instructions.
2. In-home instruction on how to use your product
3. Service to correct improper product maintenance or installation, installation not in accordance with electrical or plumbing codes or correction of household electrical or plumbing (i.e. house wiring, fuses or water inlet hoses).
4. Consumable parts (i.e. light bulbs, batteries, air or water filters, preservation solutions, etc.).
5. Damage from accident, misuse, abuse, fire, floods, acts of God or use with products not approved by Maytag.
6. Repairs to parts or systems to correct product damage or defects caused by unauthorized service, alteration or modification of the appliance.
7. Cosmetic damage including scratches, dents, chips, and other damage to appliance finishes unless such damage results from defects in materials and workmanship and is reported to Maytag within 30 days.
8. Discoloration, rust or oxidation of surfaces resulting from caustic or corrosive environments including but not limited to high salt concentrations, high moisture or humidity or exposure to chemicals.
9. Food or medicine loss due to product failure.
10. Pick-up or delivery. This product is intended for in-home repair.
11. Travel or transportation expenses for service in remote locations where an authorized Maytag servicer is not available.
12. Removal or reinstallation of inaccessible appliances or built-in fixtures (i.e. trim, decorative panels, flooring, cabinetry, islands, countertops, drywall, etc.) that interfere with servicing, removal or replacement of the product.
13. Service or parts for appliances with original model/serial numbers removed, altered or not easily determined.

**The cost of repair or replacement under these excluded circumstances shall be borne by the customer.**

### DISCLAIMER OF IMPLIED WARRANTIES

IMPLIED WARRANTIES, INCLUDING ANY IMPLIED WARRANTY OF MERCHANTABILITY OR IMPLIED WARRANTY OF FITNESS FOR A PARTICULAR PURPOSE, ARE LIMITED TO ONE YEAR OR THE SHORTEST PERIOD ALLOWED BY LAW. Some states and provinces do not allow limitations on the duration of implied warranties of merchantability or fitness, so this limitation may not apply to you. This warranty gives you specific legal rights, and you also may have other rights that vary from state to state or province to province.

### DISCLAIMER OF REPRESENTATIONS OUTSIDE OF WARRANTY

Maytag makes no representations about the quality, durability, or need for service or repair of this major appliance other than the representations contained in this warranty. If you want a longer or more comprehensive warranty than the limited warranty that comes with this major appliance, you should ask Maytag or your retailer about buying an extended warranty.

### LIMITATION OF REMEDIES; EXCLUSION OF INCIDENTAL AND CONSEQUENTIAL DAMAGES

YOUR SOLE AND EXCLUSIVE REMEDY UNDER THIS LIMITED WARRANTY SHALL BE PRODUCT REPAIR AS PROVIDED HEREIN. MAYTAG SHALL NOT BE LIABLE FOR INCIDENTAL OR CONSEQUENTIAL DAMAGES. Some states and provinces do not allow the exclusion or limitation of incidental or consequential damages, so these limitations and exclusions may not apply to you. This warranty gives you specific legal rights, and you also may have other rights that vary from state to state or province to province.



# INSTRUCTIONS D'UTILISATION DU RÉFRIGÉRATEUR

Nous vous REMERCIONS d'avoir acheté ce produit de haute qualité. Enregistrer le réfrigérateur sur [www.maytag.ca](http://www.maytag.ca).

Pour référence ultérieure, consignez par écrit les numéros de modèle et de série de votre produit. Vous aurez besoin de vos numéros de modèle et de série situés sur la paroi interne du compartiment de réfrigération.

Numéro de modèle \_\_\_\_\_

Numéro de série du produit \_\_\_\_\_

## SÉCURITÉ DU RÉFRIGÉRATEUR

### Votre sécurité et celle des autres est très importante.

Nous donnons de nombreux messages de sécurité importants dans ce manuel et sur votre appareil ménager. Assurez-vous de toujours lire tous les messages de sécurité et de vous y conformer.



Voici le symbole d'alerte de sécurité.

Ce symbole d'alerte de sécurité vous signale les dangers potentiels de décès et de blessures graves à vous et à d'autres.

Tous les messages de sécurité suivront le symbole d'alerte de sécurité et le mot "DANGER" ou "AVERTISSEMENT". Ces mots signifient :

**⚠ DANGER**

**Risque possible de décès ou de blessure grave si vous ne suivez pas immédiatement les instructions.**

**⚠ AVERTISSEMENT**

**Risque possible de décès ou de blessure grave si vous ne suivez pas les instructions.**

Tous les messages de sécurité vous diront quel est le danger potentiel et vous disent comment réduire le risque de blessure et ce qui peut se produire en cas de non-respect des instructions.

### IMPORTANTES INSTRUCTIONS DE SÉCURITÉ

**AVERTISSEMENT :** Pour réduire les risques d'incendie, de choc électrique ou des blessures lors de l'utilisation du réfrigérateur, prendre quelques précautions fondamentales, y compris les suivantes :

- Brancher l'appareil sur une prise à 3 alvéoles reliée à la terre.
- Ne pas enlever la broche de liaison à la terre.
- Ne pas utiliser un adaptateur.
- Ne pas utiliser un câble de rallonge.
- Débrancher la source de courant électrique avant l'entretien.
- Replacer pièces et panneaux avant de faire la remise en marche.
- Enlever les portes de votre vieux réfrigérateur.
- Utiliser un produit de nettoyage ininflammable.
- Garder les matériaux et les vapeurs inflammables, telle que l'essence, loin du réfrigérateur.
- Utiliser deux ou plus de personnes pour déplacer et installer le réfrigérateur.
- Débrancher le réfrigérateur avant l'installation de la machine à glaçons (seulement pour modèles prêts à recevoir une machine à glaçons).

**CONSERVEZ CES INSTRUCTIONS**

Avertissements de la proposition 65 de l'État de Californie :

**AVERTISSEMENT :** Ce produit contient au moins un produit chimique connu par l'État de Californie pour être à l'origine de cancers.

**AVERTISSEMENT :** Ce produit contient au moins un produit chimique connu par l'État de Californie pour être à l'origine de malformations et autres déficiences de naissance.

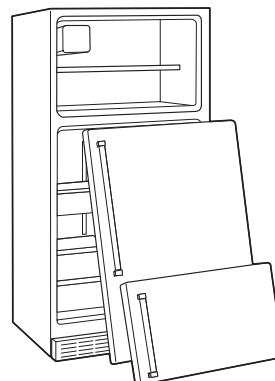
## Mise au rebut appropriée de votre vieux réfrigérateur

### **⚠ AVERTISSEMENT**

#### **Risque de suffoquer**

**Enlever les portes ou le couvercle de votre vieux congélateur ou réfrigérateur.**

**Le non-respect de cette instruction peut causer un décès ou des lésions cérébrales.**



**IMPORTANT :** L'emprisonnement et l'étouffement des enfants ne sont pas un problème du passé. Les réfrigérateurs jetés ou abandonnés sont encore dangereux, même s'ils sont laissés abandonnés pendant "quelques jours seulement". Si vous vous débarrassez de votre vieux réfrigérateur, veuillez suivre les instructions suivantes pour aider à éviter les accidents.

#### **Avant de jeter votre vieux réfrigérateur ou congélateur :**

- Enlever les portes.
- Laisser les tablettes en place de sorte que les enfants ne puissent pas y pénétrer facilement.

#### **Renseignements importants à propos de la mise au rebut des fluides réfrigérants :**

Mettre le réfrigérateur au rebut conformément à la réglementation fédérale et locale. Les fluides réfrigérants doivent être évacués par un technicien certifié et agréé par l'EPA conformément aux procédures établies.

## INSTRUCTIONS D'INSTALLATION

### Déballage du réfrigérateur

### **⚠ AVERTISSEMENT**

#### **Risque du poids excessif**

**Utiliser deux ou plus de personnes pour déplacer et installer le réfrigérateur.**

**Le non-respect de cette instruction peut causer une blessure au dos ou d'autre blessure**

#### **Retirer les matériaux d'emballage**

**IMPORTANT :** Ne pas enlever le dispositif de refoulement de l'air en mousse blanche de derrière le tableau de commande sur le plafond du réfrigérateur. Si le dispositif est enlevé, de la glace peut se former en provenance du congélateur et causer la formation de glaçons.

- Enlever le ruban adhésif et tout résidu de colle des surfaces du réfrigérateur avant de le mettre en marche. Frotter une petite quantité de savon liquide à vaisselle sur l'adhésif avec les doigts. Rincer à l'eau tiède et essuyer avec un chiffon doux.
- Ne pas utiliser d'instruments coupants, d'alcool à friction, de liquides inflammables ou de nettoyeurs abrasifs pour enlever le ruban adhésif ou la colle. Ces produits peuvent endommager la surface de votre réfrigérateur. Pour plus de renseignements, voir "Sécurité du réfrigérateur".

#### **Déplacement de votre réfrigérateur :**

Votre réfrigérateur est lourd. Lors du déplacement de votre réfrigérateur pour le nettoyage ou un entretien ou réparation, veiller à recouvrir le plancher avec du carton ou un panneau de fibres dures pour éviter qu'il ne subisse tout dommage. Toujours tirer le réfrigérateur tout droit lors de son déplacement. Ne pas incliner le réfrigérateur d'un côté ou de l'autre ni le "faire marcher" en essayant de le déplacer car le plancher pourrait être endommagé.

#### **Nettoyage avant l'utilisation**

Après avoir enlevé tous les matériaux d'emballage, nettoyer l'intérieur du réfrigérateur avant de l'utiliser. Voir les instructions de nettoyage dans la section "Entretien du réfrigérateur".

#### **Importants renseignements à savoir au sujet des tablettes et des couvercles en verre :**

Ne pas nettoyer les tablettes ou couvercles en verre avec de l'eau tiède quand ils sont froids. Les tablettes et les couvercles peuvent se briser s'ils sont exposés à des changements soudains de température ou à un impact tel que coup brusque. Le verre trempé est conçu pour éclater en d'innombrables pièces minuscules. Ceci est normal. Les tablettes et les couvercles en verre sont lourds. Les saisir à deux mains lors de leur dépose afin d'éviter de les faire tomber.

## Exigences d'emplacement

### **⚠ AVERTISSEMENT**



#### Risque d'explosion

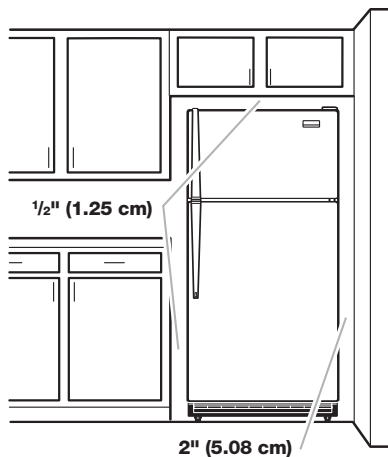
Garder les matériaux et les vapeurs inflammables, telle que l'essence, loin du réfrigérateur.

Le non-respect de cette instruction peut causer un décès, une explosion ou un incendie.

**IMPORTANT :** Ce réfrigérateur est conçu pour un usage domestique, à l'intérieur uniquement.

Pour obtenir une aération appropriée pour votre réfrigérateur, laisser un espace de 1/2" (1,25 cm) de chaque côté et au sommet. Laisser un espace de 2" (5,08 cm) derrière le réfrigérateur. Si votre réfrigérateur comporte une machine à glaçons, s'assurer qu'un espace additionnel est prévu à l'arrière pour permettre les raccordements des conduits d'eau. En cas d'installation du réfrigérateur près d'un mur fixe, laisser un minimum de 2" (5,08 cm) du côté de la charnière (certains modèles nécessitent davantage d'espace) pour permettre à la porte de s'ouvrir sans obstruction.

**REMARQUE :** Ce réfrigérateur est conçu pour être utilisé dans un endroit où la température est comprise entre un minimum de 55°F (13°C) et un maximum de 110°F (43°C). La plage de température ambiante idéale pour une performance optimale est comprise entre 60°F (15°C) et 90°F (32°C). Respecter cette plage de température permet aussi de réduire la consommation d'électricité et d'optimiser l'efficacité du refroidissement. Il est recommandé de ne pas installer le réfrigérateur près d'une quelconque source de chaleur, tel un four ou un radiateur.



## Spécifications électriques

### **⚠ AVERTISSEMENT**



#### Risque de choc électrique

Brancher sur une prise à 3 alvéoles reliée à la terre.

Ne pas enlever la broche de liaison à la terre.

Ne pas utiliser un adaptateur.

Ne pas utiliser un câble de rallonge.

Le non-respect de ces instructions peut causer un décès, un incendie ou un choc électrique.

Avant de placer le réfrigérateur à son emplacement final, il est important de vous assurer d'avoir la connexion électrique appropriée.

#### Méthode recommandée de mise à la terre

Une source d'alimentation de 115 volts, 60 Hz, type 15 ou 20 ampères CA seulement, protégée par fusible et adéquatement mise à la terre, est nécessaire. Il est recommandé d'utiliser un circuit distinct pour alimenter uniquement votre réfrigérateur. Utiliser une prise murale qui ne peut pas être mise hors circuit à l'aide d'un commutateur. Ne pas utiliser un câble de rallonge.

**REMARQUE :** Avant d'installer ou de nettoyer un quelconque élément, ou de retirer une ampoule d'éclairage, désactiver le refroidissement ou placer la commande (du thermostat, réfrigérateur ou congélateur selon le modèle) à OFF (arrêt) et débrancher ensuite le réfrigérateur de la source d'alimentation électrique. Lorsque vous avez terminé, reconnecter le réfrigérateur à la source d'alimentation électrique et réactiver le refroidissement ou replacer la commande (du thermostat, réfrigérateur ou congélateur selon le modèle) au réglage désiré. Voir "Utilisation des commandes" dans les instructions d'utilisation, le guide d'utilisation, ou le guide d'utilisation et d'entretien.

## Spécifications de l'alimentation en eau

Rassembler les outils et pièces nécessaires avant de commencer l'installation. Lire et suivre les instructions fournies avec les outils indiqués ici.

### OUTILLAGE REQUIS :

- Tournevis à lame plate
- Tourne-écrou de ¼"
- Clés plates de 7/16" et ½" ou deux clés à molette
- Foret de ¼"
- Perceuse sans fil

**REMARQUE :** Votre marchand de réfrigérateurs dispose d'une trousse disponible avec un robinet d'arrêt à étrier de ¼" (6,35 mm), un raccord et un tube en cuivre. Avant l'achat, s'assurer que le robinet d'arrêt à étrier est conforme à vos codes locaux de plomberie. Ne pas employer de robinet d'arrêt à étrier de 3/16" (4,76 mm) ou de type à percer, ce qui réduit le débit d'eau et cause une obstruction plus facilement.

### IMPORTANT :

- Toutes les installations doivent être conformes aux exigences des codes locaux de plomberie.
- Utiliser un tube en cuivre et vérifier s'il y a des fuites. Installer les tubes en cuivre seulement à des endroits où la température se maintient au-dessus du point de congélation.

### Pression de l'eau

Une alimentation en eau froide avec une pression comprise entre 30 et 120 lb/po<sup>2</sup> (207 et 827 kPa) est nécessaire pour faire fonctionner le distributeur d'eau et la machine à glaçons. Si vous avez des questions au sujet de la pression de votre eau, appeler un plombier qualifié agréé.

### Alimentation en eau par osmose inverse

**IMPORTANT :** La pression de l'alimentation en eau entre le système d'osmose inverse et la valve d'arrivée d'eau du réfrigérateur doit être entre 30 et 120 lb/po<sup>2</sup> (207 et 827 kPa).

Si un système de purification de l'eau par osmose inverse est raccordé à votre alimentation en eau froide, la pression de l'eau au système doit être d'un minimum de 40 à 60 lb/po<sup>2</sup> (276 à 414 kPa).

Si la pression de l'eau au système d'osmose inverse est inférieure à 40 à 60 lb/po<sup>2</sup> (276 à 414 kPa) :

- Vérifier si le filtre à sédiments du système d'osmose inverse est bloqué et le remplacer si nécessaire.
- Laisser le réservoir du système d'osmose inverse se remplir après une utilisation intense.

Si vous avez des questions au sujet de la pression de votre eau, appeler un plombier qualifié agréé.

## Raccordement de la canalisation d'eau

Lire toutes les instructions avant de commencer.

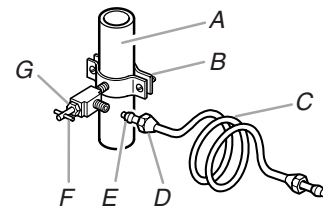
**IMPORTANT :** Si on doit mettre le réfrigérateur sous tension avant qu'il soit raccordé à la canalisation d'eau, placer la commande de la machine à glaçons à la position OFF (arrêt).

### Raccordement à une canalisation d'eau

1. Débrancher le réfrigérateur ou déconnecter la source de courant électrique.
2. FERMER le robinet principal d'arrivée d'eau. OUVRIR le robinet de puisage le plus proche pendant une période suffisante pour que la canalisation d'eau se vide.
3. Trouver une canalisation d'eau froide verticale de ½" à 1¼" (1,25 cm à 3,18 cm) près du réfrigérateur.

### IMPORTANT :

- Assurez-vous qu'il s'agit d'un conduit d'eau froide.
  - Un conduit horizontal fonctionnera, mais percer par le dessus de la canalisation et non pas par le dessous. Ainsi, l'eau ne risquera pas d'arroser la perceuse. Ceci empêche également les sédiments qu'on trouve normalement dans l'eau de s'accumuler dans le robinet.
4. Pour déterminer la longueur du tube en cuivre, il faut mesurer la distance entre le point de connexion inférieur gauche à l'arrière du réfrigérateur et la canalisation d'eau. Ajouter une longueur de 7 pi (2,1 m) pour permettre le déplacement du réfrigérateur pour le nettoyage. Utiliser un tube en cuivre de ¼" (6,35 mm) de diamètre extérieur. Veiller à ce que le tube soit coupé d'équerre aux deux extrémités.
  5. À l'aide d'une perceuse sans fil, percer un trou de ¼" dans le tuyau de canalisation d'eau froide choisi.

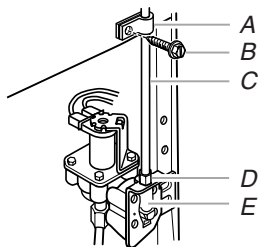


- A. Canalisation d'eau froide
- B. Bride de tuyau
- C. Tube en cuivre
- D. Écrou de compression
- E. Bague de compression
- F. Robinet d'arrêt
- G. Écrou de serrage

6. Fixer le robinet d'arrêt sur la canalisation d'eau froide avec la bride de tuyau. Vérifier que le raccord de sortie du robinet est bien engagé dans le trou de ¼" percé dans la canalisation et que la rondelle d'étanchéité est placée sous la bride de tuyau. Serrer l'écrou de serrage. Serrer lentement et uniformément les vis de la bride de tuyau afin que la rondelle forme une jonction étanche. Ne pas serrer excessivement car ceci pourrait provoquer l'écrasement du tube en cuivre.
7. Enfiler l'écrou et la bague de compression du raccord sur le tube en cuivre comme on le voit sur l'illustration. Insérer l'extrémité du tube tout droit et aussi loin que possible dans l'ouverture de sortie du robinet. Visser l'écrou de compression sur l'ouverture de sortie avec une clé à molette. Ne pas serrer excessivement.
8. Placer le bout libre du tube dans un contenant ou évier et OUVRIR le robinet principal d'arrivée d'eau et laisser l'eau s'écouler par le tube jusqu'à ce que l'eau soit limpide. FERMER le robinet principal d'arrivée d'eau. Enrouler le tube en cuivre en spirale.

## Raccordement au réfrigérateur

1. Débrancher le réfrigérateur ou déconnecter la source de courant électrique.
2. Connecter le tube en cuivre au robinet d'arrivée d'eau en utilisant un écrou et une bague de compression tel qu'illustré. Serrer l'écrou de compression. Ne pas serrer excessivement.
3. Utiliser la bride du tube à l'arrière du réfrigérateur pour fixer le tube au réfrigérateur tel qu'illustré. Ceci aide à éviter d'endommager le tube lorsque le réfrigérateur est poussé contre le mur.
4. OUVRIR le robinet d'arrêt.
5. Inspecter pour rechercher les fuites. Serrer tous les raccords (y compris les raccords de la valve d'entrée d'eau) ou les écrous qui coulent.



A. Bride de tube  
B. Vis de bride de tube  
C. Tube en cuivre  
D. Écrou de compression  
E. Valve d'entrée d'eau

6. La machine à glaçons est équipée d'un filtre à eau incorporé. Si la qualité de l'eau distribuée localement nécessite un deuxième filtre à eau, l'installer dans la canalisation d'eau de 1/4" (6,35 mm) à l'une ou l'autre extrémité de la canalisation. On peut obtenir un tel filtre à eau chez le marchand d'appareils électroménagers le plus proche.

## Achever l'installation

### ⚠ AVERTISSEMENT



#### Risque de choc électrique

**Brancher sur une prise à 3 alvéoles reliée à la terre.**

**Ne pas enlever la broche de liaison à la terre.**

**Ne pas utiliser un adaptateur.**

**Ne pas utiliser un câble de rallonge.**

**Le non-respect de ces instructions peut causer un décès, un incendie ou un choc électrique.**

1. Brancher sur une prise à 3 alvéoles reliée à la terre.

**REMARQUE :** Attendre 24 heures pour produire la première quantité de glaçons. Jeter les trois premières quantités de glaçons produites. Attendre 3 jours pour que le bac à glaçons se remplisse entièrement.

## Portes du réfrigérateur

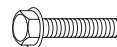
En fonction de la largeur de l'ouverture de la porte, il faudra peut-être retirer les portes pour pouvoir introduire le réfrigérateur dans le domicile. Les charnières de portes ont été installées à l'usine sur le côté droit de l'appareil. Si l'on souhaite que la porte puisse s'ouvrir depuis le côté opposé, le sens d'ouverture de la porte doit être inversé.

### IMPORTANT :

- Avant de commencer, tourner la commande du réfrigérateur à OFF (arrêt). Débrancher le réfrigérateur ou déconnecter la source de courant électrique. Retirer les aliments et tout balconnet de la porte du réfrigérateur.
- Si l'utilisateur souhaite uniquement enlever et réinstaller les portes, voir les sections "Démontage des portes et des charnières" et "Réinstallation des portes et des charnières".
- Toutes les illustrations mentionnées dans les instructions suivantes sont incluses plus loin dans cette section après "Étapes finales".

**Outils nécessaires :** Clé à douille à tête hexagonale de 5/16", clé plate de 5/16", tournevis Phillips n° 2, couteau à mastic plat de 2", tournevis à lame plate.

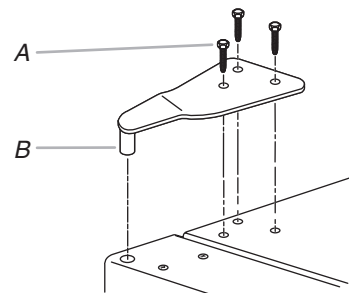
## Démontage des portes et charnières



Vis de charnière à tête hexagonale de 5/16"

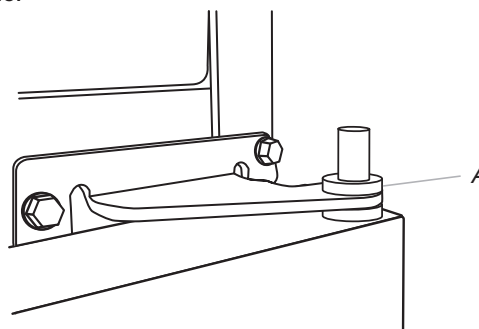
1. Débrancher le réfrigérateur ou déconnecter la source de courant électrique.
2. À l'aide d'une clé à douille à tête hexagonale, retirer les trois vis de charnière à tête hexagonale de 5/16" de la charnière supérieure et les soulever pour retirer la charnière.

**REMARQUE :** Prévoir un support additionnel des portes pendant le déplacement des charnières. La force d'attraction des aimants des portes ne suffit pas à les maintenir en place.



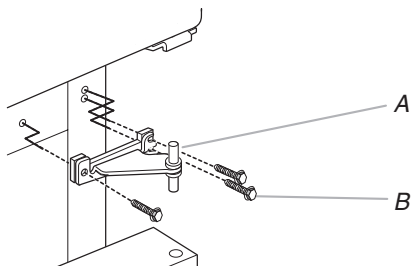
A. Vis de charnière à tête hexagonale de 5/16"  
B. Axe de charnière supérieure hexagonale de 5/16"

3. Soulever la porte du congélateur pour la séparer de la charnière centrale et la conserver à part.
4. Retirer la rondelle du sommet de l'axe de la charnière centrale.



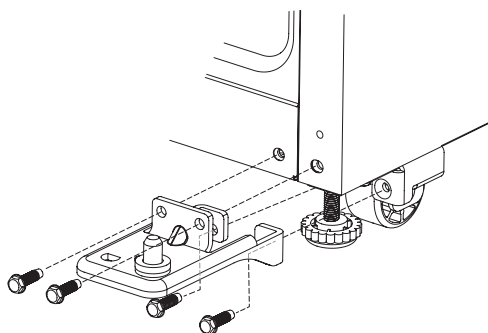
A. Rondelle

5. À l'aide d'une clé à douille à tête hexagonale et d'une clé plate, retirer les trois vis de la charnière centrale puis retirer la charnière. Mettre de côté.



A. Charnière centrale  
B. Vis de charnière à tête hexagonale de 5/16"

6. Retirer la rondelle du bas de l'axe de charnière centrale.  
7. Soulever la porte du réfrigérateur de la charnière inférieure et mettre de côté.  
8. À l'aide d'une clé à douille à tête hexagonale, retirer les quatre vis de charnière à tête hexagonale de 5/16" de la charnière inférieure et dégager la charnière du bas de la porte du réfrigérateur.



### Inversion des portes (facultatif)

**IMPORTANT :** Si l'on souhaite inverser la position des portes pour pouvoir les ouvrir dans la direction opposée, suivre les étapes suivantes. Si l'on ne souhaite pas inverser le sens d'ouverture des portes, voir "Réinstallation des portes et des charnières".

Les illustrations sont indiquées à la suite de ces instructions.



Vis de butée de la porte



Bouchon d'obturation de charnière de porte



Chapeau bombé



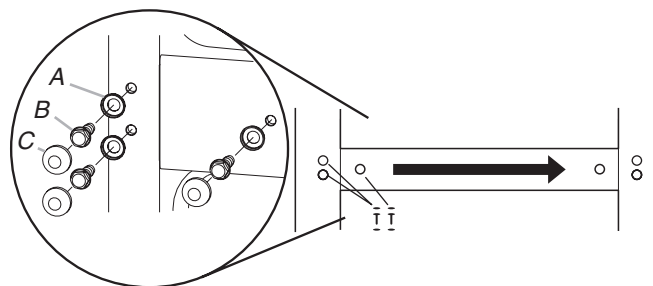
Bouchon d'obturation de charnière de caisse



Rondelle de chapeau bombé

### Inversion du sens d'installation de la charnière centrale

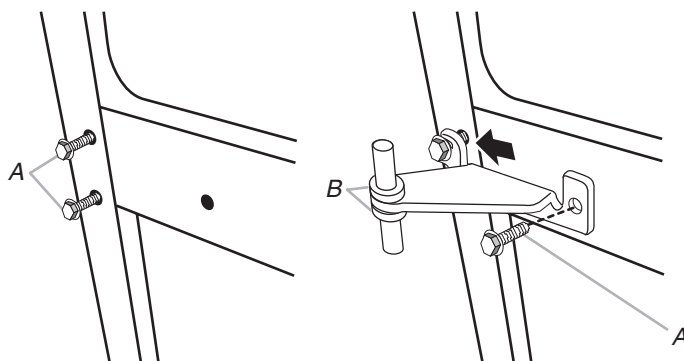
1. Retirer les trois chapeaux bombés et les vis du côté de la poignée et les placer dans les trous laissés lors du retrait des vis de charnières.



A. Rondelle des chapeaux bombés  
B. Vis de charnière à tête hexagonale  
C. Chapeaux bombés

2. À l'aide des trois vis de charnière à tête hexagonale de 5/16" retirées à l'étape 1, insérer deux vis à moitié dans les trous en laissant suffisamment d'espace pour insérer la charnière centrale.  
3. Une fois la porte du réfrigérateur en place, faire glisser la charnière centrale de la droite sur les vis, insérer la troisième vis et serrer complètement toutes les vis.

**REMARQUE :** S'assurer que les rondelles sont bien installées sur les axes supérieurs et inférieurs de la charnière centrale.



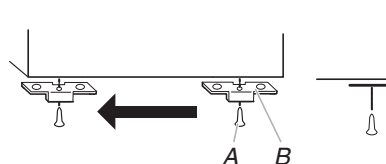
A. Vis de charnière à tête hexagonale de 5/16"  
B. Rondelles

### Inversion du sens d'ouverture de la porte du congélateur

1. Enlever les trois bouchons d'obturation du sommet de la caisse et les placer dans les trous de charnière du côté opposé.

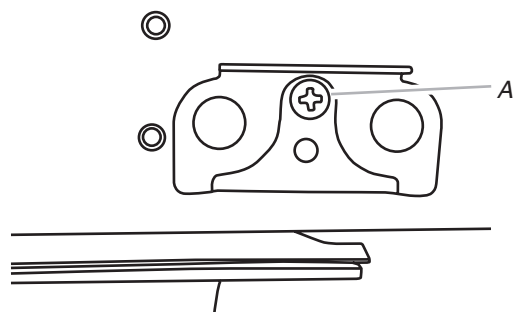


2. Retirer la butée de porte du bas de la porte du congélateur.



A. Vis de butée de porte  
B. Butée de porte

- Placer la butée de porte du côté opposé en s'assurant que le trou de la plaque de butée de porte est parfaitement aligné avec le trou destiné à l'axe de charnière centrale.
- À l'aide de la vis retirée à l'étape 2, fixer la butée de porte au bas de la porte du congélateur.

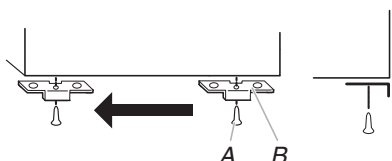


A. Vis de butée de porte

- Conserver la porte du congélateur à part jusqu'à la mise en place des charnières et de la porte du réfrigérateur.

#### Inversion du sens d'ouverture de la porte du réfrigérateur

- Retirer la butée de porte du bas de la porte du réfrigérateur.



A. Vis de butée de porte  
B. Butée de porte

- Réinstaller la butée de porte du côté opposé de la porte du réfrigérateur en s'assurant que le trou de la plaque de butée de porte est parfaitement aligné avec le trou destiné à l'axe de charnière inférieure.
- Fixer la butée de porte à la porte.
- Enlever le bouchon d'obturation du trou de charnière de la porte du congélateur. Le transférer du côté opposé.
- Mettre la porte du réfrigérateur de côté jusqu'à ce que la charnière inférieure soit installée sur le côté opposé du réfrigérateur.

#### Réinstallation des portes et charnières

**IMPORTANT :** Prévoir un support additionnel des portes pendant le déplacement des charnières. La force d'attraction des aimants des portes ne suffit pas à les maintenir en place.

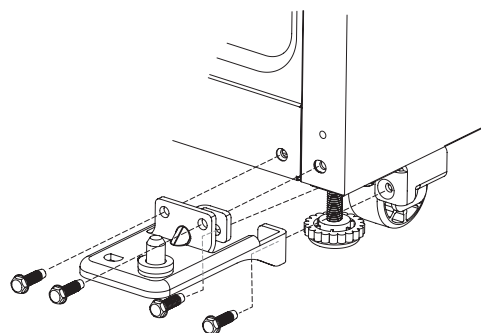
#### Inversion du sens d'installation de la charnière supérieure

- Placer la cale en plastique sous la charnière de façon à ce qu'elle se trouve entre la charnière et la caisse, tout en s'assurant que les trous sont bien alignés.
- Fixer la charnière supérieure sur le côté opposé de la caisse en insérant les vis jusqu'à la moitié seulement, de façon à pouvoir réinstaller et aligner la porte du congélateur plus tard.

#### Installation de la porte du réfrigérateur

- Insérer l'axe de la charnière inférieure dans la charnière inférieure et fixer la charnière à la caisse. Ne pas serrer complètement.
- Placer la rondelle au sommet de l'axe de la charnière inférieure.

- Placer la porte du réfrigérateur sur l'axe de charnière inférieure.



- Mesurer la distance entre le bas de la porte du réfrigérateur et le plancher. Cette distance doit être d'environ 1 1/2" (4,6 cm).

**REMARQUE :** Si nécessaire, desserrer la charnière inférieure sans retirer les vis, ajuster la hauteur de la porte et serrer complètement les vis.

#### Installation de la porte du congélateur

- Placer la rondelle sur l'axe supérieur de la charnière centrale.
- Placer la porte du congélateur sur l'axe supérieur de la charnière centrale.
- Insérer l'axe de la charnière supérieure dans le trou percé au sommet de la porte du congélateur. Ne pas complètement serrer les vis.
- Aligner les portes de façon à ce que le bas de la porte du congélateur soit parfaitement aligné avec le sommet de la porte du réfrigérateur. Serrer toutes les vis.

**REMARQUE :** La distance entre les portes doit être d'environ 3/4" (19 mm).

#### Étapes finales

## ⚠ AVERTISSEMENT



#### Risque de choc électrique

**Brancher sur une prise à 3 alvéoles reliée à la terre.**

**Ne pas enlever la broche de liaison à la terre.**

**Ne pas utiliser un adaptateur.**

**Ne pas utiliser un câble de rallonge.**

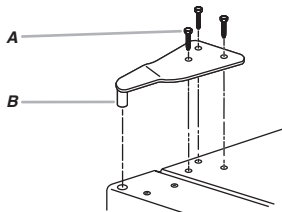
**Le non-respect de ces instructions peut causer un décès, un incendie ou un choc électrique.**

- Brancher sur une prise de courant à 3 alvéoles, reliée à la terre.
- Réinitialiser les commandes. Voir "Utilisation de la/des commandes".
- Réinstaller l'ensemble des pièces amovibles dans les portes et les aliments dans le réfrigérateur.



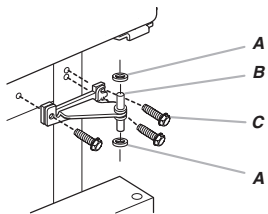
## Démontage et réinstallation de la porte

### Charnière supérieure



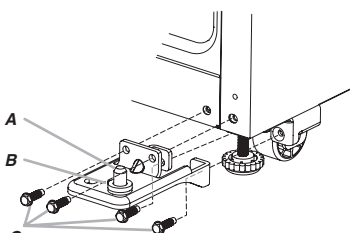
- A. Vis de charnière à tête hexagonale de  $\frac{5}{16}$ "  
B. Charnière supérieure

### Charnière centrale



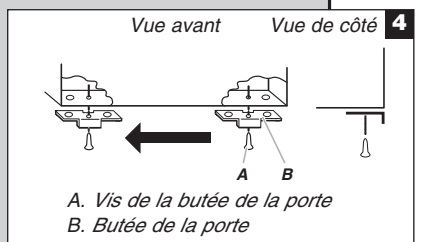
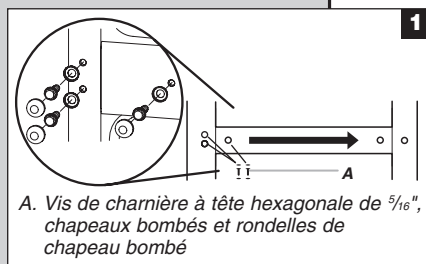
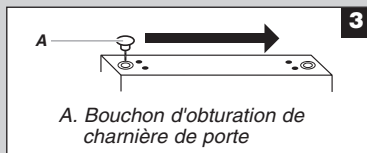
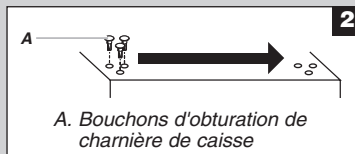
- A. Rondelle  
B. Charnière centrale  
C. Vis de charnière à tête hexagonale de  $\frac{5}{16}$ "

### Charnière inférieure



- A. Charnière inférieure  
B. Rondelle  
C. Vis de charnière à tête hexagonale de  $\frac{5}{16}$ "

## Inversion du sens d'ouverture de la porte (facultatif)



## Ajustement des portes

**IMPORTANT :** Votre réfrigérateur est en conformité avec les directives de la loi Americans with Disabilities Act (ADA).

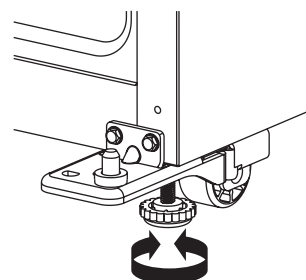
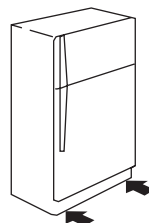
### Fermeture des portes

Votre réfrigérateur comporte deux roulettes réglables, l'une à droite et l'autre à gauche. Si votre réfrigérateur semble instable ou si vous désirez que les portes se ferment plus facilement, régler l'inclinaison du réfrigérateur en suivant les instructions cidessous.

1. Tourner le pied de nivellement pour soulever ou abaisser tel côté du réfrigérateur. Plusieurs tours peuvent être nécessaires pour régler l'inclinaison du réfrigérateur.

- Pour soulever le côté, tourner le pied de nivellement vers la droite.
- Pour abaisser le côté, tourner le pied de nivellement vers la gauche.

**REMARQUE :** Si une autre personne pousse le haut du réfrigérateur, le poids devient moins lourd sur les vis de nivellement et les roulettes, ce qui rend plus facile l'ajustement des vis.



- Ouvrir à nouveau les deux portes et vérifier que leur fermeture est aussi aisée que vous le souhaitez. Si ce n'est pas le cas, incliner le réfrigérateur un peu plus vers l'arrière en tournant les deux pieds de nivellement vers la gauche. Plusieurs tours seront peut-être nécessaires.

**REMARQUE :** Pour que le réfrigérateur soit d'aplomb, il faut appliquer le même nombre de tours aux deux pieds de nivellement.

- À l'aide d'un niveau, s'assurer que le réfrigérateur est encore d'aplomb dans le sens transversal. Le réajuster au besoin.

### Alignement des portes

Si l'espace entre les portes semble inégal, on peut faire le réglage en suivant les instructions ci-dessous :

- En fonction de votre modèle, retirer le couvre-charnière de la charnière supérieure.
- Desserrer les vis de la charnière supérieure à l'aide d'une douille de 5/16" ou d'une clé à molette.
- Demander à une personne de tenir la porte en place ou placer une cale entre les portes pendant que l'on serre les vis de la charnière supérieure.
- Réinstaller le couvre-charnière supérieur s'il a été retiré à l'étape 1.

## UTILISATION DU RÉFRIGÉRATEUR

### Utilisation des commandes

Votre réfrigérateur comporte deux commandes affectant la température. La commande de température se trouve sur la partie avant supérieure du compartiment du réfrigérateur, et la commande de circulation d'air se trouve sur la paroi arrière du compartiment du congélateur.

#### IMPORTANT :

- Le réglage recommandé doit être correct pour une utilisation domestique normale du réfrigérateur. Les réglages sont faits correctement lorsque le lait ou le jus sont aussi froids que vous l'aimez et lorsque la crème glacée est ferme.
- Attendre 24 heures pour que le réfrigérateur refroidisse complètement avant d'y placer des aliments. Si on ajoute des aliments avant que le réfrigérateur ne soit complètement refroidi, les aliments risquent de s'abîmer.

**REMARQUE :** Le fait d'ajuster les commandes de température du réfrigérateur et du congélateur à un réglage plus froid que le réglage recommandé ne refroidira pas les compartiments plus rapidement.

- Si la température est trop tiède ou trop froide dans le réfrigérateur ou le congélateur, vérifier d'abord les événements pour s'assurer qu'ils ne sont pas bloqués, avant de régler les commandes.

### Commandes de température

Pour votre commodité, les commandes de température sont préréglées à l'usine. Lors de l'installation initiale du réfrigérateur, s'assurer que les commandes sont encore préréglées au point de réglage recommandé tel qu'illustré.

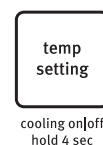
#### Réglage recommandé



#### Refroidissement Marche/Arrêt

Pour désactiver le refroidissement, appuyer pendant 4 secondes sur TEMP SETTING (réglage de la température) jusqu'à ce que tous les témoins lumineux s'allument pendant 1 seconde. Pour réactiver le refroidissement, appuyer de nouveau sur TEMP SETTING (réglage de la température) pendant 4 secondes.

**REMARQUE :** Aucun compartiment ne se refroidira lorsque la commande est réglée à OFF (arrêt).



#### Réglage des commandes

S'il est nécessaire d'ajuster la température dans le compartiment de réfrigération ou de congélation, utiliser les réglages indiqués dans le tableau ci-dessous comme guide.

**REMARQUE :** Ne pas ajuster les commandes de plus d'un cran à la fois, sauf lors de la mise en marche du réfrigérateur. Attendre 24 heures entre les réglages pour que la température puisse se stabiliser.

- Appuyer sur TEMP SETTING (réglage de la température) pour régler la température parmi les trois témoins DEL indiquant le réglage de température. En allant de gauche à droite, la DEL en première position correspond au réglage le moins froid. À mesure que l'on progresse vers la droite, les DEL correspondent à des réglages de plus en plus froids - la température la plus froide est atteinte lorsque les trois DEL sont allumées.

**REMARQUE :** Entre le premier et le troisième réglage, seule une DEL sur trois est allumée. Les trois DEL sont allumées lorsque le réglage PowerCold (température la plus froide) a été atteint.

CONDITION/RAISON :	RÉGLAGE :
RÉFRIGÉRATEUR trop tiède	Commande du TEMP SETTING à un niveau plus élevé
CONGÉLATEUR trop tiède/ trop peu de glaçons	Commande du AIRFLOW ou du TEMP SETTING à un niveau plus élevé
RÉFRIGÉRATEUR trop froid	Commande du TEMP SETTING à un niveau plus bas
CONGÉLATEUR trop froid	Commande du AIRFLOW ou du TEMP SETTING à un niveau plus bas

## Caractéristique supplémentaire

### Caractéristique PowerCold™ (refroidissement express)

La caractéristique PowerCold™ fait descendre la température du congélateur et du réfrigérateur à son réglage le plus bas pour aider à refroidir l'appareil lors de périodes d'utilisation intense du réfrigérateur, de l'ajout d'un grand nombre d'aliments ou d'une élévation temporaire de la température ambiante.

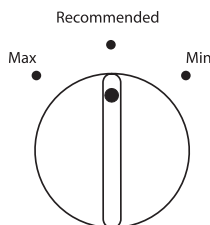
- Pour activer la caractéristique PowerCold, appuyer sur TEMP SETTING (réglage de la température) en continu jusqu'à ce que tous les témoins DEL soient allumés. Appuyer de nouveau sur TEMP SETTING (réglage de la température) pour revenir au point de réglage de température COLD (froid).

**REMARQUE :** Les trois témoins DEL sont allumés lorsque le réfrigérateur est en mode PowerCold. La caractéristique PowerCold se désactive automatiquement après 24 heures et la température revient au point de réglage de température COLDEST (le plus froid).

### Commande de circulation d'air

La commande de circulation d'air ajuste la quantité d'air circulant entre les compartiments du congélateur et du réfrigérateur.

Lorsque le réfrigérateur est branché pour la première fois, placer la commande de circulation d'air au réglage recommandé.



### Réglage de la commande de circulation d'air

Si une augmentation temporaire de la circulation d'air froid dans un compartiment particulier est souhaitée, régler la commande.

- Max (maximum) - Augmente la circulation d'air dans le congélateur
- Min (minimum) - Augmente la circulation d'air dans le réfrigérateur

**IMPORTANT :** Une fois la performance obtenue, replacer la commande de circulation d'air au réglage recommandé afin que le réfrigérateur continue de fonctionner avec le maximum d'efficacité.

CONDITION/RAISON :	RÉGLAGE :
Usage intense de glaçons	Max
Température de la pièce élevée	Max - Pour maintenir le taux de production de glaçons
Grande quantité d'aliments	Min - Pour refroidir rapidement aliments et boissons

# CARACTÉRISTIQUES DU RÉFRIGÉRATEUR

Votre modèle peut comporter l'ensemble de ces caractéristiques ou certaines d'entre elles.

### Importants renseignements à savoir au sujet des tablettes et des couvercles en verre :

Ne pas nettoyer les tablettes ou couvercles en verre avec de l'eau tiède quand ils sont froids. Les tablettes et les couvercles peuvent se briser s'ils sont exposés à des changements soudains de température ou à un impact tel que coup brusque. Le verre trempé est conçu pour éclater en d'innombrables pièces minuscules. Ceci est normal. Les tablettes et les couvercles en verre sont lourds. Les saisir à deux mains lors de leur dépose afin d'éviter de les faire tomber.

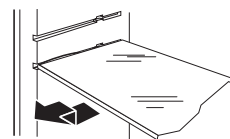
### Tablettes du réfrigérateur

Les tablettes du réfrigérateur sont réglables pour s'adapter aux besoins de rangement de l'utilisateur.

Afin de pouvoir trouver plus facilement l'article que l'on cherche, on peut remiser ensemble des aliments semblables dans le réfrigérateur et régler les tablettes pour les adapter aux différentes tailles d'articles. Ceci réduira également la durée d'ouverture de la porte du réfrigérateur et permettra d'économiser de l'énergie.

#### Retrait et réinstallation de la tablette :

1. Retirer les articles de la tablette.
2. Retirer la tablette en la faisant glisser tout droit jusqu'à la butée.
3. Selon le modèle, soulever l'arrière ou l'avant de la tablette et la retirer au-delà de la butée. Retirer complètement la tablette en la faisant glisser entièrement hors des supports.
4. Réinstaller la tablette en réinsérant de nouveau l'arrière de la tablette dans la rainure de la paroi de la caisse.
5. Guider l'avant de la tablette dans la rainure de tablette. Veiller à insérer complètement la tablette.



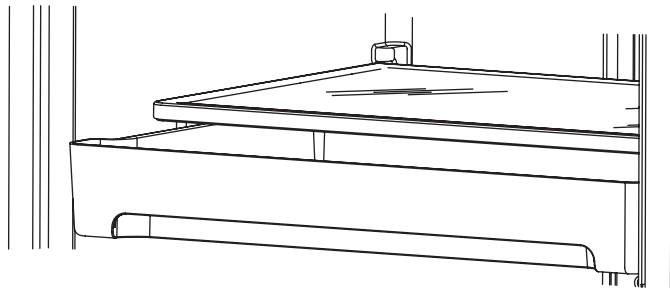
## Tiroir pour spécialités alimentaires

La conception du tiroir pour spécialités alimentaires permet d'en changer facilement la position.

### Tiroir pour spécialités alimentaires

#### Retrait et réinstallation du tiroir pour spécialités alimentaires :

1. Retirer le tiroir pour spécialités alimentaires en le faisant glisser vers l'extérieur jusqu'à la butée.
2. Soulever l'avant du tiroir pour spécialités alimentaires d'une main tout en soutenant la partie inférieure du tiroir de l'autre main. Faire glisser le tiroir complètement vers l'extérieur.
3. Réinstaller le tiroir en le réinsérant complètement au-delà de la butée.



### Guide d'entreposage des viandes

La plupart des viandes peuvent être conservées dans leur emballage original tant que cet emballage est hermétique et à l'épreuve de l'humidité. Emballer de nouveau si nécessaire. Voir le tableau suivant pour les périodes de conservation. Si la viande doit être conservée pour une période plus longue que la durée donnée, faire congeler la viande.

Poissons ou crustacés frais..... consommer le jour de l'achat  
Poulet, boeuf haché, abats comestibles (foie) ..... 1 à 2 jours  
Charcuterie, steaks/rôtis ..... 3 à 5 jours  
Viandes salaisonées..... 7 à 10 jours  
Restes - Couvrir les restes avec de la pellicule en plastique ou du papier d'aluminium. Il est convenable aussi d'utiliser des contenants en plastique avec couvercle hermétique.

## Bac à légumes

### Bacs à légumes

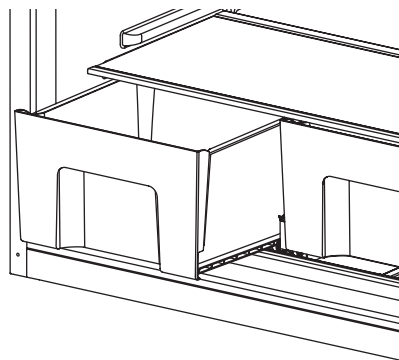
#### Retrait et réinstallation du bac à légumes :

1. Extraire le bac à légumes en le faisant glisser vers l'extérieur jusqu'à la butée. Soulever le devant et faire glisser le bac vers l'extérieur pour le retirer complètement.
2. Réinstaller le bac en le faisant glisser complètement à sa position au-delà de la butée.

## Couvercle du bac à légumes

#### Dépose et réinstallation du couvercle du bac à légumes :

1. Retirer le/les bac(s) à légumes.
2. Tirer sur le couvercle en verre tout droit vers l'extérieur.
3. Réinstaller le couvercle en verre en le réinsérant.



### Commande d'humidité

On peut contrôler le degré d'humidité dans le bac à légumes étanche. La commande peut être ajustée à réglage LOW (faible) ou HIGH (élevée).

En position LOW (faible) (en position ouverte), le réglage laisse échapper l'air humide du bac à légumes pour mieux conserver les fruits et légumes à pelures.

- Fruits : Laver, laisser sécher et garder au réfrigérateur dans un sac en plastique ou dans le bac à légumes. Ne pas laver ni équeuter les baies avant le moment de leur utilisation. Répartir et garder les baies dans leur contenant original dans le bac à légumes ou les conserver sur une tablette du réfrigérateur dans un sac en papier fermé sans être serré.
- Légumes à pelure : Placer dans un sac ou un contenant en plastique et ranger dans le bac à légumes.

En position HIGH (élevé) (en position fermée), le réglage permet de retenir l'humidité à l'intérieur du bac à légumes pour mieux conserver les légumes à feuilles frais.

- Légumes à feuilles : Laver à l'eau froide, égoutter et couper ou éliminer les sections endommagées et décolorées. Placer dans un sac ou un contenant en plastique et ranger dans le bac à légumes.

## CARACTÉRISTIQUES DU CONGÉLATEUR

Votre modèle peut comporter toutes les caractéristiques suivantes ou seulement certaines d'entre elles.

#### Importants renseignements à savoir au sujet des tablettes et des couvercles en verre :

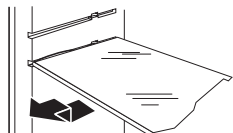
Ne pas nettoyer les tablettes ou couvercles en verre avec de l'eau tiède quand ils sont froids. Les tablettes et les couvercles peuvent se briser s'ils sont exposés à des changements soudains de température ou à un impact tel que coup brusque. Le verre trempé est conçu pour éclater en d'innombrables pièces minuscules. Ceci est normal. Les tablettes et les couvercles en verre sont lourds. Les saisir à deux mains lors de leur dépose afin d'éviter de les faire tomber.

## Tablette du congélateur

Selon le modèle, la tablette peut être soit métallique soit en verre.

### Retrait et réinstallation de la tablette :

1. Retirer les articles de la tablette.
2. Retirer la tablette en la faisant glisser tout droit jusqu'à la butée.
3. Selon le modèle, soulever l'arrière ou l'avant de la tablette et la retirer au-delà de la butée. Retirer complètement la tablette en la faisant glisser entièrement hors des supports.
4. Réinstaller la tablette en réinsérant de nouveau l'arrière de la tablette dans la rainure de la paroi de la caisse.
5. Guider l'avant de la tablette dans la rainure de tablette. Veiller à insérer complètement la tablette.



## Guide de stockage des aliments surgelés

Les périodes de conservation varient selon la qualité et le type d'aliment, le type d'emballage et de pellicule utilisés (doivent être hermétiques et résistant à l'humidité) et la température de remisage. Bien fermer le sachet ou le récipient pour empêcher le transfert de goût et d'odeur dans le produit. Les cristaux de glace à l'intérieur d'un emballage scellé sont normaux. La présence de cristaux signifie simplement que l'humidité dans les aliments et l'air à l'intérieur de l'emballage se sont condensés.

Ne pas placer plus d'aliments non congelés dans le congélateur que la quantité qui congèlera dans l'intervalle de 24 heures (pas plus de 2 à 3 lb d'aliments par pied cube d'espace [907 à 1 350 g par L] dans le congélateur). Laisser assez d'espace dans le congélateur pour permettre la circulation d'air entre les emballages. S'assurer que la porte du congélateur est bien fermée.

**REMARQUE :** Pour plus de renseignements sur la préparation des aliments pour la congélation, consulter un guide pour congélateur ou un livre de recettes fiable.

# CARACTÉRISTIQUES DE LA PORTE

Votre modèle peut comporter l'ensemble de ces caractéristiques ou certaines d'entre elles.

## Tringles de porte

Les tringles de porte peuvent être enlevées pour faciliter le nettoyage.

### Pour retirer et réinstaller les tringles :

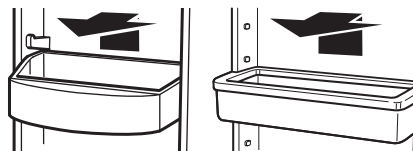
1. Selon votre modèle, retirer les tringles en poussant légèrement sur le devant de la bride tout en tirant sur la languette intérieure. Répéter ces étapes pour l'autre extrémité.
2. Réinstaller les tringles en alignant les extrémités des brides avec les boutons sur les côtés de l'intérieur de la porte. Enclencher fermement les brides et l'ensemble sur les tenons au dessus de l'étagère. Voir l'illustration.



## Balconnets de porte

### Retrait et réinstallation des balconnets :

1. Retirer le bac en le soulevant et en le tirant tout droit.
2. Réinstaller le bac en le faisant glisser au-dessus du support désiré et en l'enfonçant jusqu'à la butée.

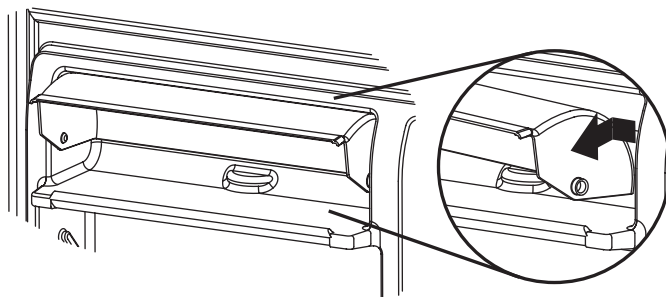


## Compartment utilitaire

Le compartiment utilitaire peut être enlevé pour faciliter le nettoyage.

### Retrait et réinstallation du compartiment utilitaire :

1. Retirer le compartiment utilitaire en pressant l'un des côtés tout en soulevant le compartiment utilitaire et en le tirant tout droit pour le dégager.
2. Réinstaller le compartiment utilitaire en plaçant un côté dans le mécanisme de verrouillage et en faisant coulisser l'autre côté en place jusqu'à la butée.



## Machine à glaçons

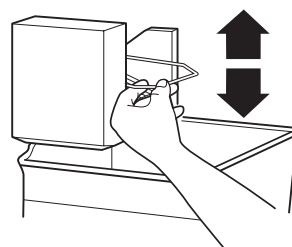
**IMPORTANT :** Pour les modèles comportant un filtre à eau, après avoir raccordé le réfrigérateur à l'alimentation en eau ou avoir remplacé le filtre à eau, remplir et jeter trois récipients entiers de glaçons afin que le filtre à eau soit prêt pour utilisation.

### Mise en marche/arrêt de la machine à glaçons

Pour mettre la machine à glaçons en MARCHE, il suffit d'abaisser le bras de commande métallique.

Pour ARRÊTER manuellement la machine à glaçons, soulever le bras de commande métallique à la position OFF (élevée) et attendre le clic.

**REMARQUE :** Votre machine à glaçons a un arrêt automatique. Au fur et à mesure de la fabrication de la glace, les glaçons remplissent le bac d'entreposage de glaçons. Les glaçons soulèvent le bras de commande métallique à la position OFF (élevée). Ne pas forcer le commutateur du bras métallique vers le haut ou vers le bas.



## Bac à glaçons

1. Nettoyer le bac à glaçons au savon doux et à l'eau tiède.
2. Insérer le bac à glaçons sous la machine à glaçons et le pousser aussi loin que possible.
3. Abaisser le levier de commande de la machine à glaçons et le placer en position de marche.

**REMARQUE :** Il faut généralement attendre environ 24 heures pour que la machine à glaçons commence à produire des glaçons. Les glaçons auront peut-être un goût désagréable. Le cas échéant, jeter les trois premiers lots de glaçons produits. Les glaçons suivants devraient avoir un goût normal.

## Taux de production des glaçons

- La machine à glaçons devrait produire environ 8 à 12 lots de glaçons au cours d'une période de 24 heures. Attendre 3 jours pour que le bac à glaçons se remplisse entièrement.
- Pour augmenter la production de glaçons, diminuer la température du congélateur et du réfrigérateur. Voir "Utilisation de la/des commandes". Attendre 24 heures entre les ajustements.

## À noter

- La qualité de vos glaçons dépend de la qualité de l'eau fournie à votre machine à glaçons. Éviter de brancher la machine à glaçons à un approvisionnement d'eau adoucie. Les produits chimiques adoucisseurs d'eau (tels que le sel) peuvent endommager des pièces de la machine à glaçons et causer une piètre qualité des glaçons. Si une alimentation d'eau adoucie ne peut pas être évitée, s'assurer que l'adoucisseur d'eau fonctionne bien et qu'il est bien entretenu.
- Ne pas utiliser un objet pointu pour briser les glaçons dans le bac. Cette action peut endommager le bac à glaçons et le mécanisme du distributeur.
- Ne pas garder quoi que ce soit sur le dessus ou dans la machine à glaçons ou dans le bac à glaçons.

# ENTRETIEN DU RÉFRIGÉRATEUR

## Nettoyage

### AVERTISSEMENT



#### Risque d'explosion

Utiliser un produit de nettoyage ininflammable.

Le non-respect de cette instruction peut causer un décès, une explosion ou un incendie.

Les compartiments de réfrigération et de congélation se dégivrent automatiquement. Toutefois, nettoyer les deux compartiments environ une fois par mois pour éviter une accumulation d'odeurs. Essuyer les renversements immédiatement.

## IMPORTANT :

- Comme l'air circule entre les deux compartiments, toutes les odeurs formées dans un compartiment seront transférées à l'autre. Vous devez nettoyer à fond les deux compartiments pour éliminer les odeurs. Pour éviter le transfert d'odeurs et l'assèchement des aliments, envelopper ou recouvrir hermétiquement les aliments.
- Pour les modèles en acier inoxydable, l'acier inoxydable est résistant à la corrosion, et non pas anticorrosion. Pour éviter la corrosion de l'acier inoxydable, garder les surfaces propres et à l'aide des instructions de nettoyage suivantes.

## Nettoyage de votre réfrigérateur :

**REMARQUE :** Ne pas utiliser des nettoyants abrasifs ou puissants tels que les nettoyants à vitre en atomiseurs, nettoyants à récurer, liquides inflammables, acide chlorhydrique, cires nettoyantes, détergents concentrés, agents de blanchiment ou nettoyants contenant du pétrole sur les surfaces extérieures (portes et caisse), les pièces en plastique, les garnitures intérieures et portes ou les joints de portes. Ne pas utiliser d'essuie-tout, tampons à récurer ou autres outils de nettoyage abrasifs.

1. Débrancher le réfrigérateur ou déconnecter la source de courant électrique.
2. Laver à la main, rincer et sécher les pièces amovibles et les surfaces internes à fond. Utiliser une éponge propre ou un linge doux et un détergent doux dans de l'eau tiède.
3. Nettoyer les surfaces extérieures.

**Métal peint :** Laver les surfaces extérieures peintes avec une éponge propre ou un linge doux et un détergent doux dans de l'eau tiède. Rincer les surfaces avec de l'eau propre et tiède et sécher immédiatement pour éviter les éventuelles taches laissées par l'eau.

**Acier inoxydable :** Laver les surfaces en acier inoxydable avec une éponge propre ou un linge doux et un détergent doux dans de l'eau tiède. Rincer les surfaces avec de l'eau propre et tiède et sécher immédiatement pour éviter les éventuelles taches laissées par l'eau.

**REMARQUE :** Lors du nettoyage de l'acier inoxydable, essuyer toujours dans le sens du grain pour éviter les éraflures.

4. Le condenseur n'a pas besoin d'être nettoyé souvent dans des conditions de fonctionnement normales. Si l'environnement est particulièrement gras, poussiéreux, ou s'il y a des animaux domestiques dans la maison, le condenseur devrait être nettoyé tous les deux ou trois mois pour assurer une efficacité maximum.

Si vous avez besoin de nettoyer le condenseur :

- Retirer la grille de la base.
  - Utiliser un aspirateur à brosse douce pour nettoyer la grille, les endroits ouverts derrière la grille et la surface à l'avant du condenseur.
  - Replacer la grille de la base lorsqu'on a terminé.
5. Brancher le réfrigérateur ou reconnecter la source de courant électrique.

## Remplacement des ampoules d'éclairage

**IMPORTANT :** Les ampoules des compartiments de réfrigération et de congélation du nouveau réfrigérateur sont issues de la technologie DEL. Si les lampes ne s'allument pas lorsqu'on ouvre la porte du réfrigérateur et/ou congélateur, composer les numéros fournis pour assistance ou dépannage. Se référer à la garantie pour les informations de contact.

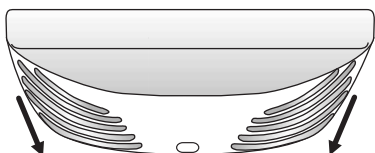
## Éclairage du compartiment de réfrigération

L'ampoule du réfrigérateur se trouve derrière la commande de température.

1. Débrancher le réfrigérateur ou déconnecter la source de courant électrique.
2. Retirer l'ampoule et la remplacer par une ampoule de même taille et forme.
  - Pour remplacer l'ampoule du compartiment de réfrigération par une ampoule DEL, commander la pièce numéro W10565137 (3,6 watts).  
**REMARQUE :** Certaines ampoules DEL de rechange ne sont pas recommandées pour des environnements humides/mouillés. Les compartiments de réfrigération et de congélation sont considérés comme des environnements humides/mouillés. Si l'on utilise une marque d'ampoules DEL différente de celle recommandée (ampoules), lire et suivre toutes les instructions de l'emballage des ampoules DEL avant de procéder à l'installation.
  - Si l'on utilise une ampoule à incandescence pour remplacer l'ampoule DEL, utiliser uniquement des ampoules à incandescence pour les appareils ménagers de 60 watts maximum.
3. Brancher le réfrigérateur ou reconnecter la source de courant électrique.

## Éclairage du compartiment de congélation

1. Débrancher le réfrigérateur ou déconnecter la source de courant électrique.
2. Retirer le protège-ampoule (sur certains modèles).
  - Sommet du compartiment de congélation - Faire glisser le protège-ampoule vers l'arrière du compartiment pour le libérer de l'ensemble d'éclairage.



3. Retirer l'ampoule et la remplacer par une ampoule de même taille et forme.
  - Pour remplacer l'ampoule du compartiment de congélation par une ampoule DEL, commander la pièce numéro W10574850 (2,0 watts).  
**REMARQUE :** Certaines ampoules DEL de rechange ne sont pas recommandées pour des environnements humides/mouillés. Les compartiments de réfrigération et de congélation sont considérés comme des environnements humides/mouillés. Si l'on utilise une marque d'ampoules DEL différente de celle recommandée (ampoules), lire et suivre toutes les instructions de l'emballage des ampoules DEL avant de procéder à l'installation.
  - Si l'on utilise une ampoule à incandescence pour remplacer l'ampoule DEL, utiliser uniquement des ampoules à incandescence pour les appareils ménagers de 25 watts maximum.
4. Réinstaller le protège-ampoule.
5. Brancher le réfrigérateur ou reconnecter la source de courant électrique.

## Entretien avant les vacances ou lors d'un déménagement

### Vacances

#### Si l'utilisateur choisit de laisser le réfrigérateur en fonctionnement pendant son absence :

1. Consommer tous les aliments périssables et congeler les autres.
2. Si le réfrigérateur comporte une machine à glaçons automatique et qu'il est raccordé à la source d'approvisionnement en eau du domicile, fermer la source d'approvisionnement en eau du réfrigérateur. Des dommages matériels peuvent survenir si l'alimentation en eau n'est pas coupée.
3. Si la machine à glaçons est automatique, éteindre la machine à glaçons.  
**REMARQUE :** Soulever le bras de commande en broche à la position OFF (arrêt) (position élevée).
4. Vider le bac à glaçons.

#### Si l'utilisateur choisit d'arrêter le fonctionnement du réfrigérateur avant son départ :

1. Enlever tous les aliments du réfrigérateur.
2. Si le réfrigérateur a une machine à glaçons automatique :
  - Fermer l'approvisionnement d'eau de la machine à glaçons au moins une journée à l'avance.
  - Lorsque la dernière quantité de glaçons est déposée, soulever le bras de commande en broche à la position OFF (arrêt) (position élevée).
3. Éteindre la/les commande(s) de température. Voir "Utilisation de la/des commandes".
4. Nettoyer le réfrigérateur, l'essuyer et bien le sécher.
5. À l'aide d'un ruban adhésif, placer des blocs de caoutchouc ou de bois dans la partie supérieure de chaque porte de façon à ce qu'elles soient suffisamment ouvertes pour permettre l'entrée d'air à l'intérieur, afin d'éviter l'accumulation d'odeurs ou de moisissure.

### Déménagement

Lorsque l'on déménage le réfrigérateur dans une nouvelle habitation, suivre ces étapes pour préparer le déménagement.

1. Si le réfrigérateur a une machine à glaçons automatique :
  - Fermer l'approvisionnement d'eau de la machine à glaçons au moins une journée à l'avance.
  - Débrancher la canalisation d'eau de l'arrière du réfrigérateur.
  - Lorsque la dernière quantité de glaçons est déposée, soulever le bras de commande en broche à la position OFF (élevée).
2. Retirer tous les aliments du réfrigérateur et placer tous les aliments congelés dans de la neige carbonique.
3. Vider le bac à glaçons.
4. Éteindre la/les commande(s) de température. Voir "Utilisation de la/des commandes".
5. Débrancher le réfrigérateur.
6. Nettoyer, essuyer et sécher à fond.
7. Retirer toutes les pièces amovibles, bien les envelopper et les attacher ensemble à l'aide de ruban adhésif pour qu'elles ne bougent pas ni ne s'entrechoquent durant le déménagement.

8. Selon le modèle, soulever le devant du réfrigérateur pour qu'il roule plus facilement OU soulever les vis de nivellement pour qu'elles n'égratignent pas le plancher. Voir "Ajustement de la/des porte(s)" ou "Fermeture et alignement de la porte".
9. Fermer les portes à l'aide de ruban adhésif et fixer le cordon d'alimentation électrique au dos du réfrigérateur à l'aide de ruban adhésif.

Lorsque vous arriverez à votre nouvelle habitation, remettez tout en place et consultez la section "Instructions d'installation" pour les instructions de préparation. D'autre part, si votre réfrigérateur a une machine à glaçons automatique, appelez-vous de raccorder l'approvisionnement d'eau au réfrigérateur.

## DÉPANNAGE

Essayer d'abord les solutions suggérées ici. Pour obtenir de l'aide ou des conseils qui permettront peut-être d'éviter une intervention de dépannage, consulter la page de garantie de ce manuel et scanner le code QR avec votre appareil intelligent, ou consulter le site internet [www.maytag.ca](http://www.maytag.ca).

Vous pouvez adresser tous commentaires ou questions par courrier à l'adresse ci-dessous :

Aux États-Unis :

Maytag Brand Home Appliances  
Customer eXperience Center  
553 Benson Road  
Benton Harbor, MI 49022-2692

Au Canada :

Maytag Brand Home Appliances  
Customer eXperience Centre  
200 – 6750 Century Ave.  
Mississauga, Ontario L5N 0B7

Dans votre correspondance, veuillez indiquer un numéro de téléphone où l'on peut vous joindre dans la journée.

### Fonctionnement du réfrigérateur

#### Le réfrigérateur ne fonctionne pas

#### **AVERTISSEMENT**



#### Risque de choc électrique

- Brancher sur une prise à 3 alvéoles reliée à la terre.**
- Ne pas enlever la broche de liaison à la terre.**
- Ne pas utiliser un adaptateur.**
- Ne pas utiliser un câble de rallonge.**
- Le non-respect de ces instructions peut causer un décès, un incendie ou un choc électrique.**

- **Le cordon d'alimentation électrique est-il débranché?**  
Brancher sur une prise à 3 alvéoles reliée à la terre.
- **La prise électrique fonctionne-t-elle?** Brancher une lampe pour voir si la prise fonctionne.
- **Un fusible est-il grillé ou un disjoncteur s'est-il ouvert?**  
Remplacer le fusible ou réenclencher le disjoncteur.  
Si le problème persiste, appeler un électricien.
- **La(les) commande(s) est(sont)-elle(s) en marche?**  
S'assurer que la commande du réfrigérateur est bien en marche. Voir "Utilisation de la(des) commandes".
- **S'agit-il d'une nouvelle installation?** Accorder 24 heures après l'installation pour que le réfrigérateur se refroidisse complètement.  
**REMARQUE :** Régler la(les) commande(s) de température sur la position la plus froide ne fera pas refroidir le réfrigérateur plus rapidement.

#### Les lampes ne fonctionnent pas

**Les ampoules ont-elles grillé?** Remplacer les ampoules. Voir "Remplacement des ampoules d'éclairage".

#### Le moteur semble trop tourner

Il se peut que votre nouveau réfrigérateur fonctionne plus longtemps que l'ancien grâce à son compresseur à haute efficacité et ses ventilateurs. L'appareil peut fonctionner plus longtemps encore si la température de la pièce est chaude, si une importante quantité de nourriture y est ajoutée, si la porte est fréquemment ouverte ou si elle a été laissée ouverte.

#### Le réfrigérateur semble bruyant

Le bruit des réfrigérateurs a été réduit au cours des années. Du fait de cette réduction, il est possible d'entendre des bruits intermittents venant de votre nouveau réfrigérateur qui n'avaient pas été décelés avec votre ancien modèle. Voici une liste des sons normaux accompagnés d'explications.

- **Bourdonnement** - entendu lorsque le robinet d'arrivée d'eau s'ouvre pour remplir la machine à glaçons.
- **Pulsation** - les ventilateurs/le compresseur se règlent afin d'optimiser la performance.
- **Sifflement/cliquetis** - écoulement de liquide réfrigérant, mouvement des conduites d'eau ou d'objets posés sur le dessus du réfrigérateur.
- **Grésillement/gargouillement** - de l'eau tombe sur l'élément de chauffage durant le programme de dégivrage.
- **Bruit d'éclatement** - contraction/expansion des parois internes, particulièrement lors du refroidissement initial.
- **Bruit d'écoulement d'eau** - peut être entendu lorsque la glace fond lors du programme de dégivrage et que l'eau s'écoule dans le plateau de dégivrage.
- **Grincement/craquement** - se produit lorsque la glace est éjectée du moule à glaçons.



**Les portes ne se ferment pas complètement ou elles ne restent pas fermées**

- **La porte est-elle bloquée en position ouverte?** Déplacer les emballages d'aliments pour libérer la porte.
- **Un compartiment ou une tablette bloquent-ils le passage?** Replacer le compartiment ou la tablette en position correcte.
- **Le couvercle du bac à légumes fait-il obstruction?** Vérifier que le couvercle du bac à légumes est enfoncé complètement de sorte que l'arrière repose sur les supports.
- **Le réfrigérateur n'est-il pas incliné vers l'arrière?** Pour que les portes se ferment plus facilement, soulever l'avant du réfrigérateur de façon à ce qu'il s'incline légèrement vers l'arrière. Voir "Réglage des portes".
- **La porte se ferme-t-elle trop rapidement?** Fermer doucement et fermement la porte pour l'empêcher de s'ouvrir.

**La porte est difficile à ouvrir**

## **AVERTISSEMENT**



### **Risque d'explosion**

**Utiliser un produit de nettoyage ininflammable.**

**Le non-respect de cette instruction peut causer un décès, une explosion ou un incendie.**

- **Les joints d'étanchéité sont-ils sales ou collants?** Nettoyer les joints et les surfaces de contact au savon doux et à l'eau tiède. Rincer et sécher avec un linge doux.

## **Température et humidité**

**La température est trop élevée**

- **S'agit-il d'une nouvelle installation?** Accorder 24 heures après l'installation pour que le réfrigérateur se refroidisse complètement.
- **La porte est-elle ouverte fréquemment ou a-t-elle été laissée ouverte?** Ceci permet à l'air chaud de pénétrer dans le réfrigérateur. Réduire le nombre d'ouvertures de la porte et la maintenir complètement fermée.
- **Une importante quantité d'aliments a-t-elle été ajoutée?** Accorder quelques heures pour que le réfrigérateur revienne à sa température normale.
- **La(Les) commande(s) est(sont)-elle(s) correcte(s) pour les conditions existantes?** Ajuster la(les) commande(s) à un réglage plus froid. Vérifier la température au bout de 24 heures. Voir "Utilisation de la(des) commandes".

**Il y a une accumulation d'humidité à l'intérieur**

**REMARQUE :** Une certaine accumulation d'humidité est normale.

- **La pièce est-elle humide?** Ceci contribue à l'accumulation de l'humidité.
- **La porte est ouverte fréquemment ou a été laissée ouverte?** Ceci permet à l'air humide de pénétrer dans le réfrigérateur. Réduire le nombre d'ouvertures de la porte et la maintenir complètement fermée.

## **Glaçons et eau**

**La machine à glaçons ne produit pas ou pas suffisamment de glaçons**

- **Le réfrigérateur est-il connecté à l'alimentation en eau et le robinet d'arrêt d'eau est-il ouvert?** Brancher le réfrigérateur à l'alimentation en eau et ouvrir le robinet d'arrêt d'eau complètement.
- **La canalisation de la source d'eau du domicile comporte-t-elle une déformation?** Une déformation dans la canalisation peut réduire l'écoulement d'eau. Redresser la canalisation d'eau.
- **La machine à glaçons est-elle allumée?** S'assurer que le bras de commande métallique ou l'interrupteur (selon le modèle) est en position ON.
- **S'agit-il d'une nouvelle installation?** Attendre 24 heures après l'installation pour la production de glaçons. Attendre 3 jours pour que le bac à glaçons se remplisse entièrement.
- **Une grande quantité de glaçons vient-elle d'être enlevée?** Attendre 24 heures pour que la machine à glaçons produise plus de glaçons.
- **Un glaçon est-il coincé dans le bras éjecteur?** Enlever le glaçon du bras éjecteur avec un ustensile en plastique.
- **Un système de filtration de l'eau à osmose inverse est-il connecté à votre canalisation d'eau froide?** Ceci peut diminuer la pression de l'eau. Voir "Spécifications de l'alimentation en eau".

**Les glaçons sont creux ou petits**

**REMARQUE :** Cela indique une faible pression de l'eau.

- **La valve de la canalisation d'eau n'est-elle pas complètement ouverte?** Ouvrir la valve d'eau complètement.
- **La canalisation de la source d'eau du domicile comporte-t-elle une déformation?** Une déformation dans la canalisation peut réduire l'écoulement d'eau. Redresser la canalisation d'eau.
- **Un système de filtration de l'eau à osmose inverse est-il connecté à votre canalisation d'eau froide?** Ceci peut diminuer la pression de l'eau. Voir "Spécifications de l'alimentation en eau".
- **Reste-t-il des questions concernant la pression de l'eau?** Appeler un plombier agréé et qualifié.

**Goût, odeur ou couleur grise des glaçons**

- **Les raccords de plomberie sont-ils neufs?** Des raccords de plomberie neufs peuvent causer une décoloration et un mauvais goût des glaçons.
- **Les glaçons ont-ils été gardés trop longtemps?** Jeter les glaçons. Laver le compartiment à glaçons. Accorder 24 heures pour la fabrication de nouveaux glaçons.
- **Y a-t-il un transfert d'odeurs de nourriture?** Utiliser des emballages étanches à l'air et à l'humidité pour conserver les aliments.
- **L'eau contient-elle des minéraux (tels que le soufre)?** L'installation d'un filtre à eau peut être requise afin d'enlever les minéraux.

---

## ACCESSOIRES

Les accessoires de réfrigérateur suivants sont disponibles. Pour commander, nous contacter et demander les numéros de pièces.

Aux É.-U., consulter [www.maytag.com/accessories](http://www.maytag.com/accessories) ou nous contacter au **1-800-688-9900**.

Au Canada, consulter [www.maytag.ca](http://www.maytag.ca) ou nous contacter au **1-800-807-6777**.

**Nettoyant et poli pour acier inoxydable affresh® :**

Aux É.-U., commander la pièce numéro W10355016

Au Canada, commander la pièce numéro W10355016B

**Lingettes pour acier inoxydable affresh® :**

Aux É.-U., commander la pièce numéro W10355049

Au Canada, commander la pièce numéro W10355049B

**Nettoyant pour appareil ménager et cuisine affresh® :**

Aux É.-U., commander la pièce numéro W10355010

Au Canada, commander la pièce numéro W10355010B

**Filtre à air :**

Commander la pièce n° W10311524

**Ensemble d'inversion du sens d'ouverture :**

Commander la pièce n° W10395149

# GARANTIE LIMITÉE DES APPAREILS DE RÉFRIGÉRATION MAYTAG®

ATTACHEZ ICI VOTRE REÇU DE VENTE. UNE PREUVE D'ACHAT EST OBLIGATOIRE POUR OBTENIR L'APPLICATION DE LA GARANTIE.

Lorsque vous appelez le centre d'expérience de la clientèle, veuillez garder à disposition les renseignements suivants :

- Nom, adresse et numéro de téléphone
- Numéros de modèle et de série
- Une description claire et détaillée du problème rencontré
- Une preuve d'achat incluant le nom et l'adresse du marchand ou du détaillant

## SI VOUS AVEZ BESOIN DE SERVICE :

1. Avant de nous contacter pour obtenir un dépannage, veuillez déterminer si des réparations sont nécessaires pour votre produit. Certains problèmes peuvent être résolus sans intervention de dépannage. Prenez quelques minutes pour parcourir la section Dépannage ou Résolution de problèmes du guide d'utilisation et d'entretien, scannez le code QR ci-contre avec votre téléphone intelligent pour accéder à des ressources supplémentaires, ou rendez-vous sur le site <http://www.maytag.ca>.

2. Tout service sous garantie doit être effectué exclusivement par nos fournisseurs de dépannage autorisés Maytag. Aux É.-U. et au Canada, dirigez toutes vos demandes de service sous garantie au

**Centre d'expérience de la clientèle Maytag**

**Aux É.-U., composer le 1-800-688-9900. Au Canada, composer le 1-800-807-6777.**

Si vous résidez à l'extérieur du Canada et des 50 États des États-Unis, contactez votre marchand Maytag autorisé pour déterminer si une autre garantie s'applique.



<http://www.maytag.ca>

## GARANTIE LIMITÉE DE DIX ANS

### CE QUI EST COUVERT

#### GARANTIE LIMITÉE DURANT LA PREMIÈRE ANNÉE (PIÈCES ET MAIN-D'ŒUVRE)

Pendant un an à compter de la date d'achat, lorsque ce gros appareil ménager est installé, utilisé et entretenu conformément aux instructions jointes au produit ou fournies avec, la marque Maytag de Whirlpool Corporation ou Whirlpool Canada, LP (ci-après désignées "Maytag") paiera pour les pièces de rechange spécifiées par l'usine et pour la main-d'œuvre pour corriger les vices de matériaux ou de fabrication qui existaient déjà lorsque ce gros appareil ménager a été acheté. S'il est remplacé, l'appareil sera couvert pour la période restant à courir de la garantie limitée d'un an du produit d'origine.

#### GARANTIE LIMITÉE DE LA DEUXIÈME À LA DIXIÈME ANNÉE (COMPRESSEUR UNIQUEMENT - MAIN-D'ŒUVRE NON COMPRISE)

De la deuxième à la dixième année inclusivement à compter de la date d'achat initiale, lorsque ce gros appareil ménager est installé, utilisé et entretenu conformément aux instructions jointes au produit ou fournies avec, Maytag paiera pour un compresseur de rechange spécifié par l'usine pour corriger les défauts non esthétiques de matériau ou de fabrication de ladite pièce qui empêchent ce gros appareil ménager de fonctionner et qui étaient déjà présents lorsque ce gros appareil ménager a été acheté. Cette garantie limitée de 10 ans s'applique uniquement au compresseur et ne comprend pas la main-d'œuvre

LE SEUL ET EXCLUSIF RECOURS DU CLIENT DANS LE CADRE DE LA PRÉSENTE GARANTIE LIMITÉE CONSISTE EN LA RÉPARATION PRÉVUE PAR LA PRÉSENTE. Le service doit être fourni par une compagnie de service désignée par Maytag. Cette garantie limitée est valide uniquement aux États-Unis ou au Canada et s'applique exclusivement lorsque le gros appareil ménager est utilisé dans le pays où il a été acheté. La présente garantie limitée est valable à compter de la date d'achat initial par le consommateur. Une preuve de la date d'achat initial est exigée pour obtenir un dépannage dans le cadre de la présente garantie limitée.

### CE QUI N'EST PAS COUVERT

1. Usage commercial, non résidentiel ou par plusieurs familles, ou non-respect des instructions de l'utilisateur, de l'opérateur ou des instructions d'installation.
2. Visite d'instruction à domicile pour montrer à l'utilisateur comment utiliser l'appareil.
3. Visites de service pour rectifier une installation ou un entretien fautifs du produit, une installation non conforme aux codes d'électricité ou de plomberie, ou la rectification de l'installation électrique ou de la plomberie du domicile (ex : câblage électrique, fusibles ou tuyaux d'arrivée d'eau du domicile).
4. Pièces consommables (ex : ampoules, batteries, filtres à air ou à eau, solutions de conservation, etc.).
5. Dommages causés par : accident, mésusage, abus, incendie, inondations, catastrophe naturelle ou l'utilisation de produits non approuvés par Maytag.
6. Réparations aux pièces ou systèmes dans le but de rectifier un dommage ou des défauts résultant d'une réparation, altération ou modification non autorisée faite à l'appareil.
7. Défauts d'apparence, notamment les éraflures, traces de choc, fissures ou tout autre dommage subi par le fini de l'appareil ménager, à moins que ces dommages ne résultent de vices de matériaux ou de fabrication et ne soient signalés à Maytag dans les 30 jours suivant la date d'achat.
8. Décoloration, rouille ou oxydation des surfaces résultant d'environnements caustiques ou corrosifs incluant des concentrations élevées de sel, un haut degré d'humidité ou une exposition à des produits chimiques (exemples non exhaustifs).
9. Perte d'aliments ou de médicaments due à la défaillance du produit.
10. Enlèvement ou livraison. Ce produit est conçu pour être réparé à l'intérieur du domicile.
11. Frais de déplacement et de transport pour le dépannage/la réparation dans une région éloignée où une compagnie de service Maytag autorisée n'est pas disponible.
12. Retrait ou réinstallation d'appareils inaccessibles ou de dispositifs préinstallés (ex : garnitures, panneaux décoratifs, plancher, meubles, îlots de cuisine, plans de travail, panneaux de gypse, etc.) qui entravent le dépannage, le retrait ou le remplacement du produit.
13. Service et pièces pour des appareils dont les numéros de série et de modèle originaux ont été enlevés, modifiés ou ne peuvent pas être facilement identifiés.

**Le coût d'une réparation ou d'un remplacement dans le cadre de ces circonstances exclues est à la charge du client.**

---

**CLAUSE D'EXONÉRATION DE RESPONSABILITÉ AU TITRE DES GARANTIES IMPLICITES**

LES GARANTIES IMPLICITES, Y COMPRIS LES GARANTIES APPLICABLES DE QUALITÉ MARCHANDE OU D'APTITUDE À UN USAGE PARTICULIER, SONT LIMITÉES À UN AN OU À LA PLUS COURTE PÉRIODE AUTORISÉE PAR LA LOI. Certains États et provinces ne permettent pas de limitation sur la durée des garanties implicites de qualité marchande ou d'aptitude à un usage particulier, de sorte que la limitation ci-dessus peut ne pas être applicable dans votre cas. Cette garantie vous confère des droits juridiques spécifiques et vous pouvez également jouir d'autres droits qui peuvent varier d'une juridiction à l'autre.

---

**EXONÉRATION DE RESPONSABILITÉ DANS LES DOMAINES NON COUVERTS PAR LA GARANTIE**

Maytag décline toute responsabilité au titre de la qualité, de la durabilité ou en cas de dépannage ou de réparation nécessaire sur ce gros appareil ménager autre que les responsabilités énoncées dans la présente garantie. Si vous souhaitez une garantie plus étendue ou plus complète que la garantie limitée fournie avec ce gros appareil ménager, adressez-vous à Maytag ou à votre détaillant pour obtenir les modalités d'achat d'une garantie étendue.

---

**LIMITATION DES RECOURS; EXCLUSION DES DOMMAGES FORTUITS OU INDIRECTS**

LE SEUL ET EXCLUSIF RECOURS DU CLIENT DANS LE CADRE DE LA PRÉSENTE GARANTIE LIMITÉE CONSISTE EN LA RÉPARATION PRÉVUE PAR LA PRÉSENTE. MAYTAG N'ASSUME AUCUNE RESPONSABILITÉ POUR LES DOMMAGES FORTUITS OU INDIRECTS. Certains États et certaines provinces ne permettent pas l'exclusion ou la limitation des dommages fortuits ou indirects de sorte que ces limitations et exclusions peuvent ne pas être applicables dans votre cas. Cette garantie vous confère des droits juridiques spécifiques et vous pouvez également jouir d'autres droits qui peuvent varier d'une juridiction à l'autre.

---

2/14



# SEGURIDAD DEL REFRIGERADOR

## Su seguridad y la seguridad de los demás es muy importante.

Hemos incluido muchos mensajes importantes de seguridad en este manual y en su electrodoméstico. Lea y obedezca siempre todos los mensajes de seguridad.



Este es el símbolo de advertencia de seguridad.

Este símbolo le llama la atención sobre peligros potenciales que pueden ocasionar la muerte o una lesión a usted y a los demás.

Todos los mensajes de seguridad irán a continuación del símbolo de advertencia de seguridad y de la palabra "PELIGRO" o "ADVERTENCIA". Estas palabras significan:

 **PELIGRO**

Si no sigue las instrucciones de inmediato, usted puede morir o sufrir una lesión grave.

 **ADVERTENCIA**

Si no sigue las instrucciones, usted puede morir o sufrir una lesión grave.

Todos los mensajes de seguridad le dirán el peligro potencial, le dirán cómo reducir las posibilidades de sufrir una lesión y lo que puede suceder si no se siguen las instrucciones.

## IMPORTANT SAFETY INSTRUCTIONS

**WARNING:** To reduce the risk of fire, electric shock, or injury to persons when using the refrigerator, follow basic precautions, including the following:

- Plug into a grounded 3 prong outlet.
- Do not remove ground prong.
- Do not use an adapter.
- Do not use an extension cord.
- Disconnect power before servicing.
- Replace all parts and panels before operating.
- Remove doors from your old refrigerator.
- Use nonflammable cleaner.
- Keep flammable materials and vapors, such as gasoline, away from refrigerator.
- Use two or more people to move and install refrigerator.
- Disconnect power before installing ice maker (on ice maker kit ready models only).

**SAVE THESE INSTRUCTIONS**

Advertencias de la Proposición 65 del estado de California:

**ADVERTENCIA:** Este producto contiene una o más sustancias químicas identificadas por el estado de California como causantes de cáncer.

**ADVERTENCIA:** Este producto contiene una o más sustancias químicas identificadas por el estado de California como causantes de defectos congénitos o algún otro tipo de daños en la función reproductora.

## Cómo deshacerse adecuadamente de su refrigerador viejo

### ⚠️ ADVERTENCIA

#### Peligro de Asfixia

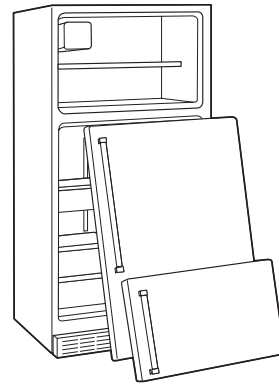
Remueva las puertas o la tapa de su congelador o refrigerador viejo.

No seguir esta instrucción puede ocasionar la muerte o daño al cerebro.

**IMPORTANTE:** El atrapamiento y asfixia de niños no es un problema del pasado. Los refrigeradores tirados y abandonados son un peligro, aún si van a quedar ahí “por unos pocos días”. Si Ud. está por deshacerse de su refrigerador viejo, por favor siga las instrucciones que se dan a continuación para prevenir accidentes.

#### Antes de tirar su viejo refrigerador o congelador:

- Saque las puertas.
- Deje los estantes en su lugar así los niños no pueden meterse adentro con facilidad.



#### Important information to know about disposal of refrigerants:

Dispose of refrigerators in accordance with Federal and Local regulations. Refrigerants must be evacuated by a licensed, EPA certified refrigerant technician in accordance with established procedures.

## INSTRUCCIONES DE INSTALACIÓN

### Desembale el refrigerador

### ⚠️ ADVERTENCIA

#### Peligro de Peso Excesivo

Use dos o más personas para mover e instalar el refrigerador.

No seguir esta instrucción puede ocasionar una lesión en la espalda u otro tipo de lesiones.

#### When Moving Your Refrigerator:

Your refrigerator is heavy. When moving the refrigerator for cleaning or service, be sure to cover the floor with cardboard or hardboard to avoid floor damage. Always pull the refrigerator straight out when moving it. Do not wiggle or “walk” the refrigerator when trying to move it, as floor damage could occur.

#### Saque los materiales de empaque

**IMPORTANTE:** No quite la espuma de aire blanca de devolución de aire de atrás del panel de controles en el revestimiento del refrigerador. Si se quita dicha pieza, el hielo del congelador puede bajar y formar carámbanos.

- Quite los restos de cinta y goma de las superficies de su refrigerador antes de encenderlo. Frote un poco de detergente líquido para vajillas sobre el adhesivo con los dedos. Enjuague con agua tibia y seque con un paño suave.
- No use instrumentos filosos, alcohol para fricciones, líquidos inflamables o productos de limpieza abrasivos para eliminar los restos de cinta o goma. Estos productos pueden dañar la superficie de su refrigerador. Para más información, vea “Seguridad del refrigerador”.

#### Limpieza antes del uso

Una vez que usted haya quitado todos los materiales de empaque, limpie el interior de su refrigerador antes de usarlo. Vea las instrucciones de limpieza en “Cuidado de su refrigerador”.

#### Información importante para saber acerca de los estantes y tapas de vidrio:

Do not clean glass shelves or covers with warm water when they are cold. Shelves and covers may break if exposed to sudden temperature changes or impact, such as bumping. Tempered glass is designed to shatter into many small, pebble-size pieces. This is normal. Glass shelves and covers are heavy. Use both hands when removing them to avoid dropping.

## Requisitos de ubicación

### ⚠ ADVERTENCIA



#### Peligro de Explosión

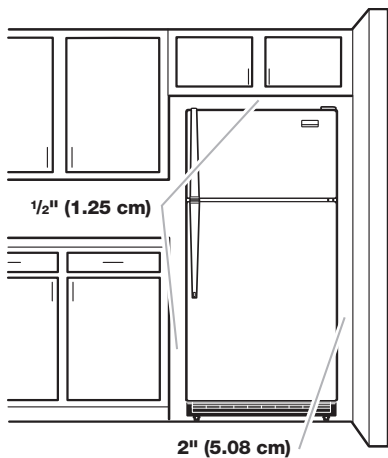
Mantenga los materiales y vapores inflamables, tales como gasolina, alejados del refrigerador.

No seguir esta instrucción puede ocasionar la muerte, explosión, o incendio.

**IMPORTANTE:** Este refrigerador ha sido diseñado únicamente para usarse dentro del hogar.

Para asegurar la adecuada ventilación para su refrigerador, deje un espacio de ½" (1,25 cm) a cada lado y por encima. Deje un espacio de 1" (2,54 cm) detrás del refrigerador. Si su refrigerador tiene fábrica de hielo, asegúrese que hay espacio adicional atrás para las conexiones de la línea de agua. Si Ud. instala el refrigerador próximo a una pared fija, deje un espacio mínimo de 2" (5,08 cm) en el lado de la bisagra (algunos modelos necesitan más espacio) para permitir que la puerta abra bien.

**NOTA:** Este refrigerador ha sido diseñado para usarse en un lugar en donde los rangos de temperatura varíen entre un mínimo de 55 °F (13 °C) y un máximo de 110 °F (43 °C). Para un óptimo rendimiento, el rango preferido de temperatura ambiente (que reduce el uso de electricidad y provee un enfriamiento superior) es entre 60 °F (15 °C) y 90 °F (32 °C). No se recomienda instalar el refrigerador cerca de una fuente de calor, como puede ser un horno o un radiador.



## Requisitos eléctricos

### ⚠ ADVERTENCIA



#### Peligro de Choque Eléctrico

Conecte a un contacto de pared de conexión a tierra de 3 terminales.

No quite la terminal de conexión a tierra.

No use un adaptador.

No use un cable eléctrico de extensión.

No seguir estas instrucciones puede ocasionar la muerte, incendio o choque eléctrico.

Antes de mover el refrigerador a su ubicación final, es importante asegurarse que tiene la conexión eléctrica adecuada.

#### Método de conexión a tierra recomendado

Se requiere una fuente de energía eléctrica de 115 voltios, 60 Hz., CA solamente y con fusibles de 15 o 20 amperios, conectada a tierra. Se recomienda utilizar un circuito separado sólo para su refrigerador. Use una toma de corriente que no se pueda apagar con un interruptor. No use un cable eléctrico de extensión.

**NOTA:** Antes de realizar cualquier tipo de instalación, limpie o de quitar un foco de luz, apague el enfriamiento o gire el control (del termostato, del refrigerador o del congelador dependiendo del modelo) hacia la posición OFF (Apagado) y luego desconecte el refrigerador de la fuente de energía. Cuando haya terminado, reconecte el refrigerador a la fuente de energía eléctrica y encienda el enfriamiento o vuelva a fijar el control (del termostato, del refrigerador o del congelador dependiendo del modelo) en la posición deseada. Consulte "Uso de los controles" en las Instrucciones para el usuario, el Manual del usuario o el Manual de uso y cuidado.

## Requisitos del suministro de agua

Reúna las herramientas y piezas necesarias antes de comenzar la instalación. Lea y siga las instrucciones provistas con cualquiera de las herramientas detalladas aquí.

#### HERRAMIENTAS NECESARIAS:

- Destornillador de hoja plana
- Llaves de boca de 7/16" y 1/2", o dos llaves ajustables
- Llave de tuercas de 1/4"
- Broca de 1/4"
- Taladro inalámbrico

**NOTA:** El distribuidor de su refrigerador tiene un juego disponible de válvula de cierre tipo montura de 1/4" (6,35 mm), una unión y tubería de cobre. Antes de comprar, asegúrese de que la válvula tipo montura cumple con los códigos de plomería locales. No use una válvula perforadora o una válvula de montura de 3/16" (4,76 mm) que reduce el flujo de agua y se obstruye con más facilidad.

#### IMPORTANTE:

- Todas las instalaciones deben hacerse de acuerdo a los requisitos locales de plomería.
- Use tubería de cobre y revise si hay fugas. Instale la tubería de cobre sólo en áreas donde la temperatura vaya a permanecer por encima del punto de congelación.



## Presión del agua

Se necesita un suministro de agua fría con presión de agua entre 30 y 120 lbs/pulg<sup>2</sup> (207 y 827 kPa) para hacer funcionar el despachador de agua y la fábrica de hielo. Si tiene preguntas acerca de la presión del agua, llame a un plomero competente autorizado.

### Suministro de agua por ósmosis inversa

**IMPORTANTE:** La presión del suministro de agua que sale de un sistema de ósmosis inversa y va a la válvula de entrada de agua del refrigerador necesitará ser entre 30 y 120 lb/pulg<sup>2</sup> (207 y 827 kPa).

Si el sistema de filtrado de agua por ósmosis inversa está conectado a la fuente de suministro de agua fría, la presión de agua para el sistema de ósmosis inversa debe ser de entre 40 y 60 lbs/pulg<sup>2</sup> (276 y 414 kPa).

Si la presión de agua hacia el sistema de ósmosis inversa es menor de 40 a 60 lbs/pulg<sup>2</sup> (276 a 414 kPa):

- Fíjese si el filtro de sedimentos en el sistema de ósmosis inversa está bloqueado. Reemplácelo si fuera necesario.
- Deje que se vuelva a llenar el tanque de almacenaje del sistema de ósmosis inversa después del uso intenso.

Si tiene preguntas acerca de la presión del agua, llame a un plomero competente autorizado.

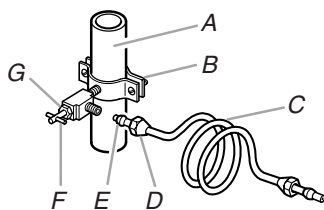
## Conexión del suministro de agua

Lea todas las instrucciones antes de comenzar.

**IMPORTANTE:** Si usa el refrigerador antes de conectar la tubería de agua, ponga la fábrica de hielo en la posición OFF (Apagado).

### Conexión a la línea de agua

1. Desenchufe el refrigerador o desconecte el suministro de energía.
2. Cierre el suministro principal del agua. Abra el grifo más cercano el tiempo suficiente para limpiar la tubería del agua.
3. Busque una tubería vertical de agua fría de ½" a 1¼" (1,25 cm a 3,18 cm) cercana al refrigerador.  
**IMPORTANTE:**
  - Asegúrese de que sea una tubería de agua fría.
  - Una tubería horizontal funcionará, pero taladre por el lado de arriba de la tubería, no por debajo. Esto ayudará a mantener el agua alejada del orificio taladrado y que se acumule sedimento normal en la válvula.
4. Determine la longitud de la tubería de cobre que necesite. Mida desde la conexión de la parte baja trasera izquierda del refrigerador hasta la tubería de agua. Agregue 7 pies (2,1 m) para permitir la limpieza. Use tubos de cobre de ¼" (6,35 mm) de diámetro externo. Asegúrese de que ambos extremos de la tubería de cobre estén cortados rectos.
5. Usando un taladro conectado a tierra, haga un orificio de ¼" en la tubería de agua fría que eligió.

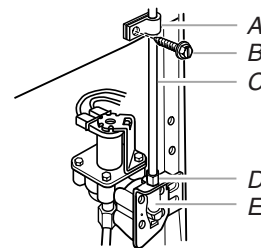


- A. Tubería de agua fría
- B. Abrazadera para tubería
- C. Tubería de cobre
- D. Tuerca de compresión
- E. Manga de compresión
- F. Válvula de cierre
- G. Tuerca de presión

6. Afiance la válvula de cierre a la tubería de agua fría con una abrazadera para tubería. Asegúrese de que el extremo de salida esté firmemente insertado en el orificio de ¼" (6,35 mm) en la tubería de agua y que la arandela esté debajo de la abrazadera para tubería. Apriete la tuerca de presión. Apriete los tornillos de la abrazadera para tubería lentamente y en forma pareja de manera que la arandela provea un cierre hermético. No apriete demasiado porque se puede aplastar la tubería de cobre.
7. Deslice la manga de compresión y la tuerca de compresión sobre la tubería de cobre como se muestra. Inserte el extremo de la tubería en el extremo de salida en ángulo recto hasta donde sea posible. Atornille la tuerca de compresión al extremo de salida con una llave de tuercas ajustable. No apriete demasiado.
8. Coloque el extremo libre de la tubería en un recipiente o fregadero y ABRA el suministro principal de agua. Enjuague la tubería hasta que el agua salga limpia. Cierre la válvula de cierre del tubo de agua. Enrolle la tubería de cobre.

### Conexión al refrigerador

1. Desenchufe el refrigerador o desconecte el suministro de energía.
2. Fije el tubo de cobre a la entrada de la válvula usando una tuerca y manguito de compresión, como se muestra. Ajuste la tuerca de compresión. No apriete demasiado.
3. Use la abrazadera para tubería en la parte trasera del refrigerador para asegurar la tubería al refrigerador, como se muestra. Esto ayudará a evitar daños en la tubería cuando el refrigerador se empuje nuevamente contra la pared.
4. ABRA la válvula de cierre.
5. Revise si hay fugas. Ajuste las conexiones (incluso las de la válvula) o tuercas que tengan fugas.



- A. Abrazadera para tubería
- B. Tornillo de la abrazadera para tubos
- C. Tubería de cobre
- D. Tuerca de compresión
- E. Admisión de válvula

6. La fábrica de hielo está equipada con un filtro de agua incorporado. Si las condiciones del agua local requieren un segundo filtro de agua, se debe instalar en la línea de agua de ¼" (6,35 mm) en cualquiera de las conexiones de la tubería. Obtenga un filtro de agua del distribuidor de electrodomésticos más cercano a su domicilio.

## ⚠ ADVERTENCIA



### Peligro de Choque Eléctrico

Conecte a un contacto de pared de conexión a tierra de 3 terminales.

No quite la terminal de conexión a tierra.

No use un adaptador.

No use un cable eléctrico de extensión.

No seguir estas instrucciones puede ocasionar la muerte, incendio o choque eléctrico.

1. Conecte el producto a un contacto de pared de 3 terminales con conexión a tierra.

**NOTA:** Deje transcurrir 24 horas para la producción del primer lote de hielo. Deshágase de los tres primeros lotes de hielo producidos. Deje transcurrir 3 días para que se vuelva a llenar de hielo el recipiente.

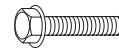
## Puertas del refrigerador

Según el ancho de la puerta, tal vez sea necesario sacar las puertas del para hacer entrar el refrigerador en su hogar. Además, las bisagras de la puerta se instalan en la fábrica en el lado derecho. Si desea que la puerta se abra en la otra dirección, debe invertir la dirección de la puerta.

### IMPORTANTE:

- Antes de comenzar, fije el control del refrigerador en OFF (Apagado), desenchufe el refrigerador o desconecte el suministro de energía. Quite todos los alimentos y cualquier recipiente ajustable o de uso general de las puertas.
- Si usted sólo va a quitar las puertas y volverlas a colocar, vea las secciones "Quite las puertas y las bisagras" y "Vuelva a poner las puertas y las bisagras en su lugar".
- Todas las ilustraciones a las que se hace referencia en las siguientes instrucciones se incluyen más adelante en esta sección después de "Pasos finales".

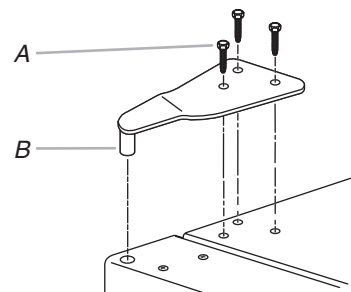
**Herramientas necesarias:** Llave de cubo de cabeza hexagonal de  $\frac{5}{16}$ ", destornillador Phillips N° 2, destornillador de hoja plana, llave de boca de  $\frac{5}{16}$ ", cuchillo plano para masilla de 2".



Tornillos de cabeza hexagonal para bisagra de  $\frac{5}{16}$ "

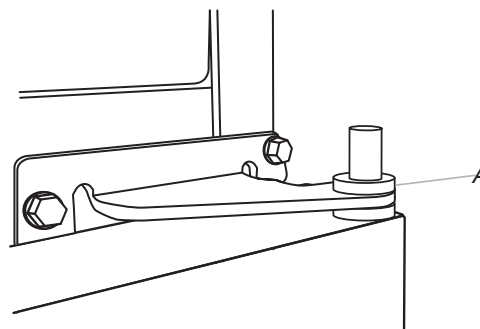
1. Desenchufe el refrigerador o desconecte el suministro de energía.
2. Utilizando una llave de cubo de cabeza hexagonal, quite los tres tornillos de la bisagra cabeza hexagonal de  $\frac{5}{16}$ " de la bisagra superior y levántelos para quitar la bisagra. Vea la ilustración de la bisagra superior.

**NOTA:** Mientras quita las bisagras siempre disponga de un soporte adicional para las puertas. No se confíe en que los imanes de las puertas van a sostener las puertas en su lugar mientras trabaja



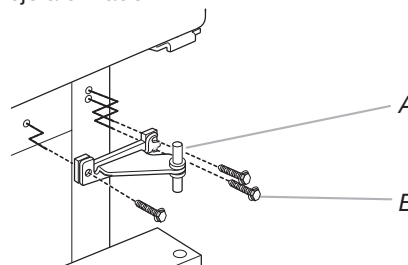
A. Tornillo de cabeza hexagonal para bisagra de  $\frac{5}{16}$ "  
B. asador de bisagra superior

3. Levante y saque la puerta del congelador de la bisagra central, y déjela a un lado.
4. Quite la arandela de la parte superior del pasador de la bisagra centra



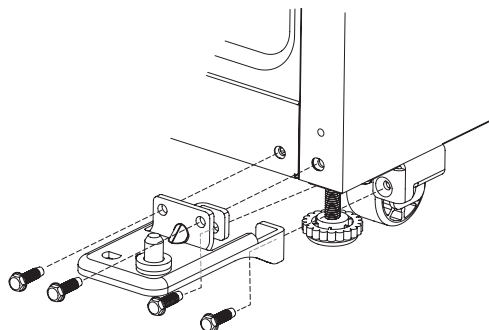
A. Arandela

5. Utilizando una llave de cubo de cabeza hexagonal y una llave de boca, quite los tres tornillos de la bisagra ventral y retire la bisagra. Deje a un lado.



A. Bisagra central  
B. Tornillos de cabeza hexagonal para bisagra de  $\frac{5}{16}$ "

6. Quite la arandela de la parte inferior del pasador de la bisagra central.
7. Levante y saque la puerta del refrigerador de la bisagra inferior, y déjela a un lado.
8. Utilizando una llave de cubo de cabeza hexagonal, quite los cuatro tornillos de la bisagra cabeza hexagonal de  $\frac{5}{16}$ " de la bisagra inferior y saque la bisagra de la parte inferior de la puerta inferior del refrigerador.



### Cambio del sentido de apertura de las puertas (opcional)

**IMPORTANTE:** Siga estas instrucciones si desea que las puertas abran en el sentido opuesto. Si no desea cambiar el sentido de apertura de las puertas, vea "Cómo volver a poner las puertas y bisagras en su lugar".

Las ilustraciones aparecen después de estas instrucciones.



Door Stop Screw



Door Hinge Hole Plug



Dome Cap



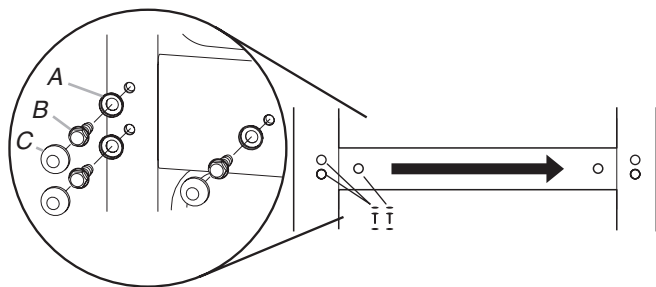
Cabinet Hinge Hole Plug



Dome Cap Washer

### Bisagra central inversa

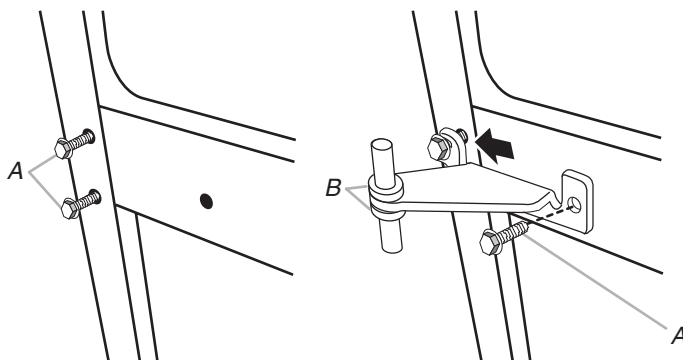
1. Retire las tres tapas de domo y los tornillos del lado de la manija y utilícelos para rellenar los orificios creados cuando se quitaron los tornillos de la bisagra



A. Arandelas de tapa de domo  
B. Tornillos de cabeza hexagonal para bisagra  
C. Tapas de domo

2. Usando los tres tornillos para bisagra de cabeza hexagonal de  $\frac{5}{16}$ " que se quitaron en el paso 1, inserte dos tornillos hasta la mitad en los orificios, deje un espacio para insertar la bisagra central.
3. En cuanto se haya instalado la puerta del refrigerador, deslice la bisagra central desde la derecha hacia los tornillos, inserte el tercer tornillo y después apriete todos los tornillos completamente.

**NOTA:** Asegúrese de que las arandelas se encuentren bien ubicadas en los pasadores superior e inferior del centro de la bisagra.



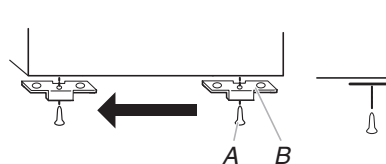
A. Tornillos de cabeza hexagonal para bisagra de  $\frac{5}{16}$ "  
B. Arandela

### Cómo invertir la puerta del congelador

1. Quite los tres tapones de los orificios de la carcasa de la parte superior de la carcasa y ubíquelos en los orificios del lado opuesto.

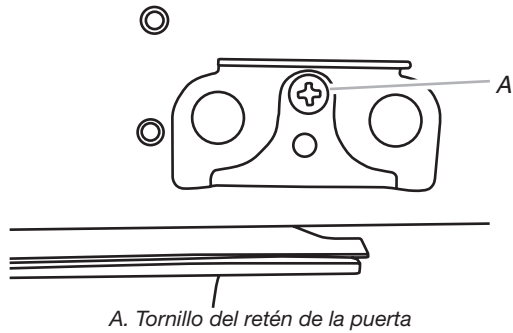


2. Saque el retén de la puerta de la parte inferior de la puerta del congelador.



A. Tornillo del retén de la puerta  
B. Retén de la puerta

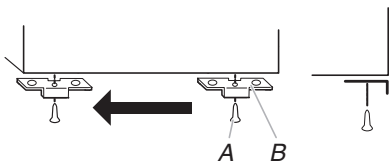
3. Cambie el retén de la puerta al lado contrario y asegúrese de que el orificio de la placa del retén de la puerta se alinee perfectamente con el orificio del pasador de la bisagra central.
4. Usando los tornillos que quitó en el paso 2, sujete el retén de la puerta en el lado inferior de la puerta del congelador.



5. Ponga la puerta del congelador a un lado hasta que las bisagras y la puerta del refrigerador estén en su sitio.

### Cómo invertir la puerta del refrigerador

1. Saque el retén de la puerta de la parte inferior de la puerta del refrigerador.



A. Tornillo del retén de la puerta  
B. Retén de la puerta

2. Reemplace el retén de la puerta del lado contrario de la puerta del refrigerador y asegúrese de que el orificio de la placa del retén de la puerta se alinee perfectamente con el orificio del pasador de la bisagra inferior.
3. Pegue el retén de la puerta en la puerta.
4. Quite el tapón del orificio de la bisagra de la puerta del congelador. Mueva hacia el lado opuesto.
5. Ponga la puerta del refrigerador a un lado hasta que se haya instalado la bisagra inferior en el lado opuesto del refrigerador

### Cómo volver a poner las puertas y las bisagras en su lugar

**IMPORTANTE:** Mientras quita las bisagras siempre disponga de un soporte adicional para las puertas. No se confíe en que los imanes de las puertas van a sostener las puertas en su lugar mientras trabaja.

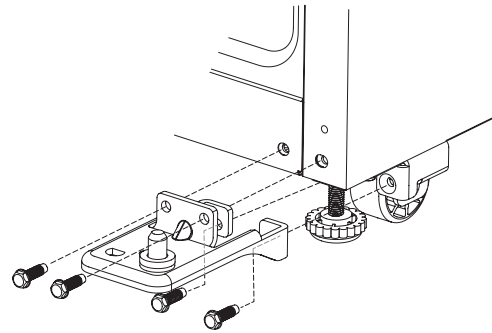
#### Bisagra superior inversa

1. Coloque algo de plástico debajo de la bisagra para que se mantenga entre la bisagra y la carcasa, asegurándose de que los orificios estén alineados.
2. Pegue la bisagra superior al lado opuesto de la carcasa, inserte los tornillos solo hacia la mitad, de manera que pueda reemplazar y alinear la puerta del refrigerador más adelante.

#### Cómo instalar la puerta del refrigerador

1. Inserte el pasador de la bisagra inferior en la bisagra inferior y ajústela en la carcasa. No los apriete completamente.
2. Ubique la arandela en la parte superior del pasador de la bisagra inferior.

3. Coloque la puerta del refrigerador en el pasador de la bisagra inferior.



4. Mida la distancia desde la parte inferior de la puerta del refrigerador hasta el suelo. La distancia debe ser de aproximadamente 1 1/2" (4,6 cm).

**NOTA:** Si es necesario, suelte la bisagra inferior, sin quitar los tornillos, ajuste la puerta a la altura correcta y apriete completamente los tornillos.

#### Cómo instalar la puerta del congelador

1. Coloque la arandela en el pasador de bisagra superior de la bisagra central.
2. Coloque puerta del congelador en el pasador de bisagra superior de la bisagra central.
3. Inserte el pasador de la bisagra superior en el orificio perforado de la parte superior de la puerta del congelador. No apriete completamente los tornillos.
4. Alinee las puertas de modo que la base de la puerta del congelador esté alineada con la parte superior de la puerta del refrigerador. Apriete todos los tornillos.

**NOTA:** La distancia entre las puertas debe ser de aproximadamente 3/4" (19 mm).

### Pasos finales

## ⚠ ADVERTENCIA



#### Peligro de Choque Eléctrico

**Conecte a un contacto de pared de conexión a tierra de 3 terminales.**

**No quite la terminal de conexión a tierra.**

**No use un adaptador.**

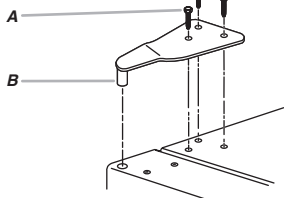
**No use un cable eléctrico de extensión.**

**No seguir estas instrucciones puede ocasionar la muerte, incendio o choque eléctrico.**

1. Conecte el producto a un contacto de pared de 3 terminales con conexión a tierra.
2. Vuelva a ajustar los controles. Vea "Uso de los controles".
3. Regrese todas las partes removibles de la puerta a las puertas y la comida al refrigerador.

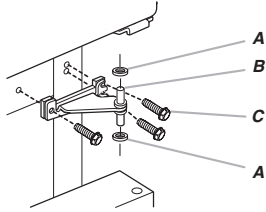
## Door Removal & Replacement

### Top Hinge



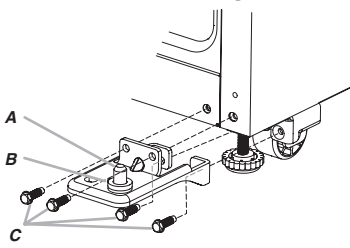
A.  $\frac{5}{16}$ " Hex-Head Hinge Screws  
B. Top Hinge

### Center Hinge



A. Washer  
B. Center Hinge  
C.  $\frac{5}{16}$ " Hex-Head Hinge Screws

### Bottom Hinge

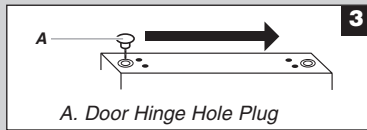


A. Bottom Hinge  
B. Washer  
C.  $\frac{5}{16}$ " Hex-Head Hinge Screws

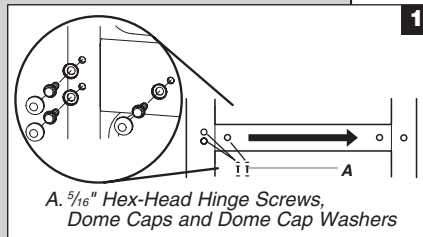
## Door Swing Reversal (optional)



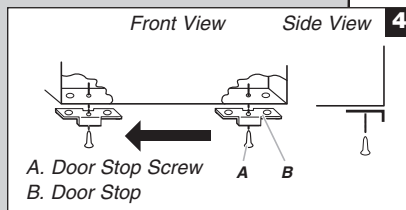
A. Cabinet Hinge Hole Plugs



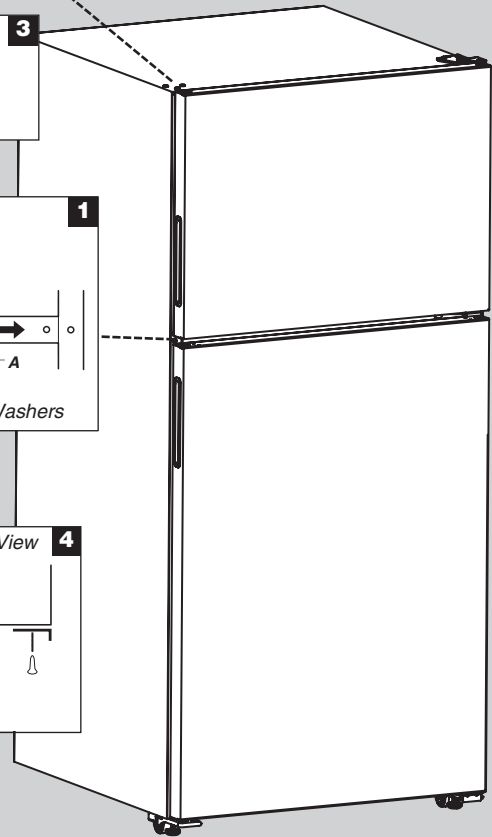
A. Door Hinge Hole Plug



A.  $\frac{5}{16}$ " Hex-Head Hinge Screws,  
Dome Caps and Dome Cap Washers



A. Door Stop Screw  
B. Door Stop



## Ajuste las puertas

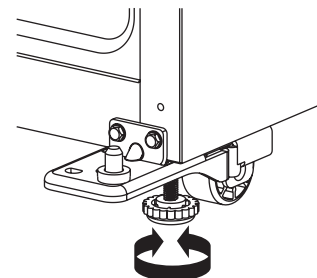
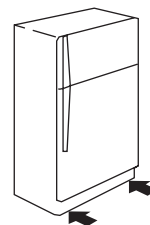
**IMPORTANTE:** Su refrigerador cumple las pautas de Americans with Disabilities Act (Acta de los americanos con discapacidades, ADA).

**NOTA:** Para simplificar el ajuste de los tornillos, haga que alguien empuje la parte superior del refrigerador, lo cual quita algo de peso de los niveladores y los rodillos.

### Cierre de la puerta

Su refrigerador tiene dos niveladores frontales regulables: uno a la derecha y otro a la izquierda. Si su refrigerador parece inestable o usted desea que las puertas se cierren con mayor facilidad, ajuste la inclinación del refrigerador siguiendo las instrucciones a continuación:

1. Gire el nivelador para bajar o levantar ese lado del refrigerador. Puede precisar darle varias vueltas para ajustar la inclinación del refrigerador.
  - Para levantarlo, gire el nivelador a la derecha.
  - Para bajarlo, gire el nivelador de la izquierda.



- Abra ambas puertas nuevamente para verificar que se cierran con la facilidad que usted desea. De lo contrario, incline el refrigerador ligeramente más hacia la parte posterior, girando ambas patas niveladoras hacia la izquierda; puede tomar varias vueltas más.

**NOTA:** Para mantener nivelado el refrigerador, deberá girar ambas patas niveladoras la misma cantidad de veces.

- Usando un nivel, verifique que el refrigerador aún esté nivelado de lado a lado. Regule si fuera necesario.

### Alineación de puerta

Si el espacio entre las puertas parece desigual, puede ajustarlo usando las instrucciones siguientes:

- Según el modelo, quite la cubierta de la bisagra superior.
- Afloje los tornillos de la bisagra superior usando una llave inglesa o de boca tubular de 5/16".
- Haga que una persona sostenga la puerta en su lugar o coloque algo entre las puertas que mantenga el espacio mientras usted ajusta los tornillos de la bisagra superior.
- Reemplace la cubierta de bisagra superior si la quitó en el paso 1.

## USO DE SU REFRIGERADOR

### Uso de los controles

Su refrigerador cuenta con dos controles que afectan la temperatura. El control de temperatura se ubica en la parte frontal superior del compartimiento del refrigerador y el control de flujo de aire se ubica en la pared posterior del compartimiento del congelador.

#### IMPORTANTE:

- El ajuste recomendado debe ser el correcto para un uso doméstico normal del refrigerador. Los controles están ajustados correctamente cuando la leche o los jugos están tan fríos como Ud. desea y cuando el helado tiene consistencia firme.
- Espere 24 horas para que el refrigerador se enfríe completamente antes de agregar alimentos. Si agrega alimentos antes de que el refrigerador se haya enfriado por completo, podrían echarse a perder.  
**NOTA:** Poner los controles de temperatura del refrigerador y del congelador en un ajuste más frío que el recomendado no enfriará más rápido los compartimientos.
- Si la temperatura está demasiado elevada o demasiado baja en el refrigerador o en el congelador, antes de regular los controles, revise primero los orificios de ventilación para cerciorarse de que no estén obstruidos.

### Control de temperatura

Para su comodidad, el control de temperatura ha sido prefijado de fábrica. Al instalar su refrigerador por primera vez, asegúrese de que el control se mantenga preajustado como se muestra.

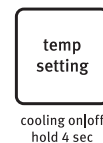
#### Ajuste recomendado



### Encendido/Apagado del enfriamiento

Para apagar el enfriamiento, presione TEMP SETTING (ajuste de temperatura) y manténgalo presionado durante 4 segundos hasta que todas las luces se enciendan por 1 segundo. Para encender nuevamente el enfriamiento, presione y sostenga TEMP SETTING nuevamente por 4 segundos.

**NOTA:** No se enfriará ningún compartimiento cuando el control se fije en OFF.



### Cómo ajustar el control de temperatura

Si necesita regular la temperatura en el compartimiento del refrigerador o del congelador, utilice como guía los ajustes que se enumeran en la tabla a continuación.

**NOTA:** No ajuste el control en más de un ajuste por vez, excepto cuando encienda el refrigerador. Espere 24 horas entre los ajustes para que se estabilice la temperatura.

- Presione TEMP SETTING para cambiar entre las tres luces LED que indican el ajuste de temperatura. De izquierda a derecha, la luz LED en la primera posición es la temperatura menos fría. Las luces LED indican ajustes cada vez más fríos a medida que se mueve hacia la derecha, hasta que todas las luces LED están iluminadas.

**NOTA:** Del primer al tercer ajuste, solo una luz LED de las tres se iluminará. Las tres luces LED se iluminarán cuando haya alcanzado el ajuste PowerCold™ (el ajuste más frío).

CONDICIÓN/MOTIVO:	AJUSTE:
REFRIGERADOR demasiado caliente	Control TEMP SETTING a un ajuste más alto
CONGELADOR demasiado caliente/muy poco hielo	Control TEMP SETTING o AIRFLOW a un ajuste más alto
REFRIGERADOR demasiado frío	Control TEMP SETTING a un ajuste más bajo
FREEZER too cold	Control TEMP SETTING o AIRFLOW a un ajuste más bajo

### Característica adicional

#### Función PowerCold™

La función PowerCold™ ajusta el congelador y refrigerador en los ajustes de temperatura más bajos para ayudar en los períodos de alta demanda del refrigerador, cargas completas de alimentos o temperatura ambiente temporalmente tibia.

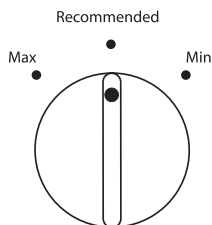
- Para encender la función PowerCold presione TEMP SETTING constantemente hasta que todas las luces LED estén encendidas. Presione nuevamente TEMP SETTING (ajuste de temperatura) para volver al punto de frío seleccionado.

**NOTA:** Las tres luces LED se encienden cuando el refrigerador se encuentra en el modo PowerCold. La función PowerCold se apagará automáticamente después de 24 horas y la temperatura volverá al punto más frío ajustado.

## Control de flujo de aire

El control de flujo de aire regula la cantidad de aire que fluye entre los compartimientos del congelador y del refrigerador.

Cuando enchufe por primera vez el refrigerador, gire el control del flujo de aire hacia el ajuste recomendado.



### Cómo ajustar el control de flujo de aire

Si desea aumentar temporalmente el flujo de aire hacia un compartimiento específico, regule el control.

- Max (máximo) – aumenta el flujo de aire del congelador
- Min (mínimo) – aumente el flujo de aire del refrigerador

**IMPORTANTE:** En cuanto se logre el rendimiento deseado, devuelva el control de flujo de aire al ajuste recomendado para mantener el refrigerador funcionando con eficiencia óptima.

CONDICIÓN/MOTIVO:	AJUSTE:
Se usa mucho hielo	Máx.
Temperatura elevada en la habitación	Max (máximo) – Para mantener el ritmo de producción de hielo
Gran cantidad de alimentos	Min (mínimo) – Para enfriar rápidamente alimentos y bebidas

## CARACTERÍSTICAS DEL REFRIGERADOR

Su modelo podrá contar con algunas o todas estas características.

### Información importante para saber acerca de los estantes y tapas de vidrio:

No limpie los estantes y tapas de vidrio con agua caliente mientras estén fríos. Los estantes y tapas pueden romperse si se exponen a cambios bruscos de temperatura o a impactos, como sería un golpe brusco. El vidrio templado se ha diseñado para hacerse añicos. Eso es normal. Los estantes y tapas de vidrio son muy pesados. Use ambas manos al sacarlos para evitar que se caigan.

### Estantes del refrigerador

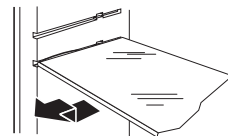
Los estantes de su refrigerador son ajustables para adaptarse a sus necesidades individuales de almacenamiento.

Si usted guarda alimentos similares juntos en el refrigerador y ajusta los estantes para que se adapten a las diferentes alturas de los artículos, le será muy fácil encontrar exactamente el artículo que desea. Asimismo, se reduce el tiempo que la puerta del refrigerador permanece abierta y se ahorra energía.

#### Para quitar y volver a colocar un estante:

1. Quite los artículos del estante.
2. Deslice el estante en sentido recto hacia afuera, hasta el tope.

3. Según el modelo, levante la parte posterior o delantera del estante y traspase el tope. Deslice el resto del estante completamente hacia afuera.
4. Vuelva a colocar el estante deslizando la parte posterior a lo largo de la guía en la pared de la carcasa.
5. Deslice la parte delantera del estante en la guía. Asegúrese de deslizar completamente el estante hacia adentro.



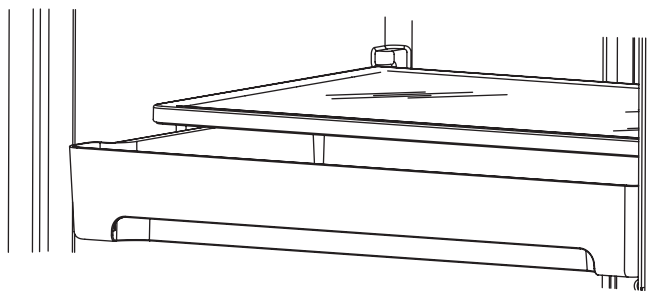
## Cajón para carnes frías

El diseño del cajón para carnes frías permite una posición flexible.

### Cajón para carnes frías

#### Para quitar y volver a colocar el cajón para carnes frías:

1. Retire el cajón para carnes frías deslizándolo hacia afuera, hasta el tope.
2. Levante la parte delantera del cajón para carnes frías con una mano mientras sostiene la base del cajón con la otra mano. Deslice el resto del cajón completamente hacia afuera.
3. Vuelva a colocar el cajón deslizándolo nuevamente hasta que pase el tope por completo.



### Meat Storage Guide

Guarde la mayoría de las carnes en su envoltura original siempre y cuando sea hermética y a prueba de humedad. Vuelva a envolverlas si fuera necesario. Consulte el cuadro siguiente respecto a los períodos de conservación. Para guardar la carne por un tiempo más prolongado que los períodos indicados, congélela.

Pescado fresco o mariscos..... mismo día de su compra  
Pollo, carne de res molida, carnes varias (hígado, etc.).. 1 a 2 días  
Fiambres, filetes/asados ..... de 3 a 5 días  
Carnes curadas ..... 7 a 10 días  
Sobras - Cubra las sobras con envoltura de plástico, papel de aluminio o guárdelas en recipientes de plástico con tapas herméticas.

## Cajón para verduras

### Cajones para verduras

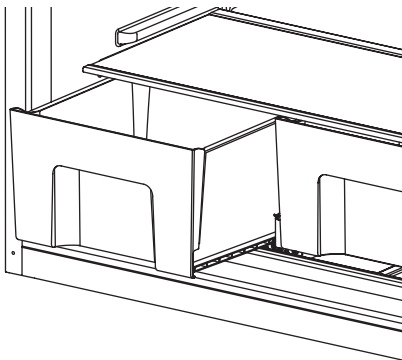
#### Para quitar y volver a colocar el cajón para verduras:

1. Deslice el cajón para verduras en sentido recto hacia afuera, hasta el tope. Levante el frente y deslice el cajón completamente hacia afuera.
2. Vuelva a colocar el cajón deslizándolo completamente traspasando el tope.

## Tapa del cajón para verduras

### Para quitar y volver a colocar la tapa del cajón para verduras:

1. Quite el(los) cajón(cajones) para verduras.
2. Jale el vidrio en sentido recto hacia afuera.
3. Vuelva a colocar el vidrio empujándolo en sentido recto hacia adentro.



## Control de humedad del cajón para verduras

Usted puede controlar el nivel de humedad en el cajón hermético antihumedad para verduras. Ajuste el control en LOW (Bajo) o HIGH (Alto).

LOW (abierto) deja que el aire húmedo salga del cajón para verduras, y es el más adecuado para conservar las frutas y verduras con cáscara.

- Frutas: lávelas, déjelas secar y guárdelas en el refrigerador en bolsas de plástico o en el cajón para verduras. No lave ni pele los frutos del bosque hasta el momento de usarlos. Separe y guarde los frutos del bosque en su recipiente original en el cajón para verduras, o guárdelos sin apretar en una bolsa de papel cerrada en un estante del refrigerador.
- Verduras con cáscara: colóquelas en una bolsa o recipiente de plástico y guárdelas en el cajón para verduras.

HIGH (cerrado) mantiene el aire húmedo en el cajón para verduras, y es el más adecuado para conservar las verduras frescas de hoja.

- Verduras de hoja: lávelas con agua fría, escúrralas y corte o arranque las partes magulladas o decoloradas. colóquelas en una bolsa o recipiente de plástico y guárdelas en el cajón para verduras.

# CARACTERÍSTICAS DEL CONGELADOR

Su modelo podrá contar con algunas o todas estas características.

### Información importante para saber acerca de los estantes y tapas de vidrio:

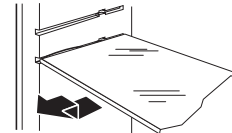
No limpie los estantes y tapas de vidrio con agua caliente mientras estén fríos. Los estantes y tapas pueden romperse si se exponen a cambios bruscos de temperatura o a impactos, como sería un golpe brusco. El vidrio templado se ha diseñado para hacerse añicos. Eso es normal. Los estantes y tapas de vidrio son muy pesados. Use ambas manos al sacarlos para evitar que se caigan.

## Estante del congelador

Según el modelo, el estante puede ser de alambre o vidrio.

### Para quitar y volver a colocar un estante:

1. Quite los artículos del estante.
2. Deslice el estante en sentido recto hacia afuera, hasta el tope.
3. Según el modelo, levante la parte posterior o delantera del estante y traspase el tope. Deslice el resto del estante completamente hacia afuera.
4. Vuelva a colocar el estante deslizando la parte posterior a lo largo de la guía en la pared de la carcasa.
5. Deslice la parte delantera del estante en la guía. Asegúrese de deslizar completamente el estante hacia adentro.



## Guía para la conservación de alimentos congelados

Los períodos de conservación variarán según la calidad y el tipo de alimentos, el tipo de empaque o envoltura empleada (deberá ser hermético y a prueba de humedad), y la temperatura de conservación. Selle herméticamente el paquete o recipiente para evitar la transferencia de sabor y olor en todo el producto. Es normal que haya cristales de hielo dentro de un paquete sellado. Esto simplemente indica que la humedad en los alimentos y el aire dentro del paquete se han condensado, creando cristales de hielo.

No coloque en el congelador más alimentos sin congelar de los que puedan congelarse en 24 horas (no más de 2 a 3 lb de alimentos por pie cúbico [907 a 1350 g por L] de espacio en el congelador). Deje suficiente espacio en el congelador para la circulación de aire alrededor de los paquetes. La puerta del congelador debe cerrarse herméticamente.

**NOTA:** Para obtener más información respecto a la preparación de alimentos para su congelación, consulte una guía de congeladores o un buen libro de cocina.

# CARACTERÍSTICAS DE LA PUERTA

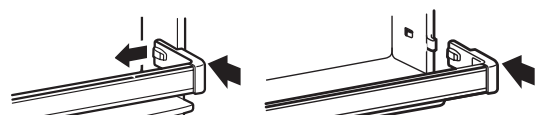
Su modelo podrá contar con algunas o todas estas características.

## Rieles de la puerta

Los rieles de la puerta se pueden quitar para facilitar la limpieza.

### Para quitar y volver a colocar los rieles:

1. Según el modelo, quite los rieles empujando hacia adentro ligeramente en la parte frontal del soporte mientras jala hacia afuera la lengüeta interior. Repita estos pasos para el otro extremo.
2. Vuelva a colocar los rieles alineando los extremos de los soportes con los botones que están en los costados del revestimiento de la puerta. Encaje a presión el soporte y el ensamblaje en las lengüetas que están encima del estante, como se muestra.

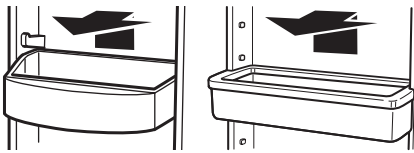




## Recipientes de la puerta

### Para quitar y volver a colocar los recipientes:

1. Quite el recipiente levantándolo y jalándolo directamente hacia afuera.
2. Vuelva a colocar el recipiente deslizándolo encima del soporte deseado y empujándolo hacia abajo hasta que se detenga.

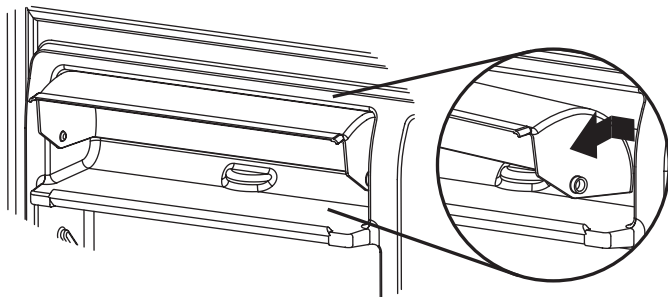


## Compartimiento de uso general

Se puede quitar el compartimiento de uso general para facilitar la limpieza.

### Para quitar y volver a colocar el compartimiento de uso general:

1. Quite el compartimiento de uso general aplicando presión contra uno de los lados mientras levanta el compartimiento de uso general y lo jala en sentido recto hacia afuera.
2. Vuelva a colocar el compartimiento de uso general posicionando un lado en el seguro y deslizándolo en el lado opuesto hasta que se detenga.



## Fábrica de hielo

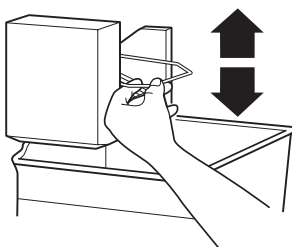
**IMPORTANTE:** Para los modelos con filtro de agua, después de conectar el refrigerador a un suministro de agua o de reemplazar el filtro de agua, llene y descarte tres recipientes completos de hielo para preparar el filtro de agua para el uso.

### Para encender y apagar la fábrica de hielo

Para poner a funcionar la fábrica de hielo, sencillamente baje el brazo de control de alambre.

Para apagar la fábrica de hielo manualmente, levante el brazo de control de alambre a la posición OFF (Apagado - brazo elevado) y escuche el chasquido.

**NOTA:** La fábrica de hielo tiene un apagado automático. A medida que se produce el hielo, los cubitos de hielo llenarán el depósito para hielo y éstos levantarán el brazo de control de alambre a la posición OFF (Apagado - brazo elevado). No fuerce el brazo de control de alambre hacia arriba o hacia abajo.



## Depósito de hielo

1. Lave el depósito de hielo con un jabón suave y agua tibia.
2. Deslice el depósito de hielo bajo la fábrica de hielo; empújelo hacia la parte posterior hasta donde sea posible.
3. Baje el brazo de la fábrica de hielo hacia la posición de “encendido”.

**NOTA:** Por lo general la fábrica de hielo toma aproximadamente 24 horas para comenzar a producir hielo. Tal vez note que el hielo tiene mal gusto. Si es así, deshágase de los tres primeros lotes de hielo producidos. Después de hacerlo, el hielo deberá tener un sabor normal.

## Ritmo de producción de hielo

- La fábrica de hielo deberá producir aproximadamente entre 8 y 12 lotes de hielo en un período de 24 horas. Deje transcurrir 3 días para que se vuelva a llenar por completo el depósito de hielo.
- Para aumentar la producción de hielo, baje la temperatura del congelador y del refrigerador. Vea “Uso de los controles”. Deje pasar 24 horas entre cada ajuste.

## Recuerde

- La calidad del hielo dependerá de la calidad del agua que suministre a su fábrica de hielo. Evite la conexión de la fábrica de hielo a un suministro de agua blanda. Las sustancias químicas utilizadas para ablandar el agua (como la sal) pueden dañar ciertos componentes de la fábrica de hielo y producir un hielo de muy baja calidad. Si no se puede evitar el uso de un suministro de agua blanda, asegúrese de que el ablandador de agua esté funcionando correctamente y que goce de un buen mantenimiento.
- No use ningún instrumento afilado para romper el hielo en el depósito. Esto puede dañar el depósito de hielo y el mecanismo de despachado.
- No guarde nada encima ni dentro de la fábrica de hielo ni del depósito de hielo.

# CUIDADO DEL REFRIGERADOR

## Limpieza

### **ADVERTENCIA**



#### Peligro de Explosión

**Use un limpiador no inflamable.**

**No seguir esta instrucción puede ocasionar la muerte, explosión o incendio.**

Tanto la sección del refrigerador como la del congelador se descongelan automáticamente. No obstante, limpie ambas secciones más o menos una vez al mes para evitar la acumulación de olores. Limpie los derrames de inmediato.

## IMPORTANTE:

- Debido a que el aire circula entre ambas secciones, cualquier olor que se forma en una sección pasará a la otra. Debe limpiar meticulosamente ambas secciones para eliminar olores. Para evitar la transferencia de olores y la deshidratación de los alimentos, envuelva o tape bien los alimentos.
- Para los modelos de acero inoxidable, el acero inoxidable es resistente a la corrosión y no a prueba de corrosión. Para ayudar a evitar la corrosión del acero inoxidable, mantenga las superficies limpias, siguiendo las instrucciones de limpieza a continuación.

### Para limpiar su refrigerador:

**NOTA:** No use productos de limpieza abrasivos o ásperos, como aerosoles para ventanas, productos de limpieza para pulir, líquidos inflamables, ácido muriático, ceras para limpieza, detergentes concentrados, blanqueadores o productos de limpieza que contengan productos derivados de petróleo en las superficies exteriores (puertas y carcasa), partes de plástico, revestimientos interiores o de la puerta, o juntas. No use toallas de papel, estropajos para fregar u otros utensilios de limpieza ásperos.

1. Desenchufe el refrigerador o desconecte el suministro de energía.
2. Lave a mano, enjuague y seque todas las partes desmontables y las superficies interiores meticulosamente. Use una esponja limpia o un paño liso y un detergente suave en agua tibia.
3. Limpie las superficies exteriores.

**Metal pintado:** Limpie el exterior de metal pintado con un paño limpio y liso, o una esponja y detergente suave en agua tibia. Enjuague las superficies con agua tibia limpia y séquelas inmediatamente para evitar las manchas de agua.

**Acero inoxidable:** Lave las superficies de acero inoxidable con un paño limpio y liso o una esponja y un detergente suave en agua tibia. Enjuague las superficies con agua tibia limpia y séquelas inmediatamente para evitar las manchas de agua.

**NOTA:** Cuando limpie el acero inoxidable, siempre talle en la dirección de la veta para evitar rayar a través del mismo.

4. Una limpieza rutinaria del condensador no es necesaria en ambientes normales de operación en el hogar. Si el ambiente es particularmente grasoso o polvoriento, o si hay bastante tránsito de mascotas en el hogar, el condensador deberá limpiarse cada dos o tres meses para asegurar la máxima eficacia.

Si necesita limpiar el condensador:

- Quite la rejilla de la base.
  - Use una aspiradora con un cepillo suave para limpiar la rejilla, las áreas abiertas detrás de la rejilla y la superficie frontal del condensador.
  - Vuelva a colocar la rejilla de la base cuando termine.
5. Enchufe el refrigerador o reconecte el suministro de energía.

## Cómo cambiar el foco

**IMPORTANTE:** Según su modelo, el foco de su nuevo refrigerador puede funcionar con tecnología LED. Si su modelo utiliza luces LED y la luz no se enciende cuando se abre la puerta del refrigerador, llame para solicitar ayuda o servicio técnico. Consulte la garantía para conocer los números de teléfono.

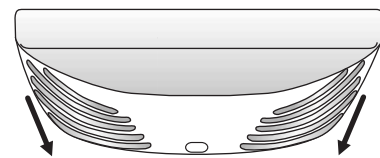
### Luz del compartimiento del refrigerador

El foco del refrigerador está ubicado detrás del control.

1. Desenchufe el refrigerador o desconecte el suministro de energía.
2. Quite el foco y reemplácelo con un foco para electrodomésticos del mismo tamaño y la misma forma.
  - Para reemplazar el foco en el compartimiento del refrigerador con un foco LED, pida el número de pieza W10565137 (3,6 vatios).  
**NOTA:** Algunos focos LED de reemplazo no se recomiendan para ambientes húmedos. Los compartimientos del refrigerador y congelador se consideran ambientes húmedos. Si utiliza un foco LED de una marca diferente a la recomendada por Whirlpool, antes de la instalación, lea y siga todas las instrucciones del empaque del LED.
  - Si usa un foco incandescente para reemplazar uno LED, use solo focos incandescentes para electrodomésticos con un máximo de 60 vatios.
3. Enchufe el refrigerador o reconecte el suministro de energía.

### Luz del compartimiento del congelador

1. Desenchufe el refrigerador o desconecte el suministro de energía.
2. Quite la pantalla de la luz (en algunos modelos).
  - Parte superior del compartimiento del congelador - Deslice la pantalla de la luz hacia la parte posterior del compartimiento para liberarla del ensamblaje de luz.



3. Quite el foco y reemplácelo con un foco para electrodomésticos del mismo tamaño y la misma forma.
  - Para reemplazar un foco LED en el compartimiento del congelador, pida el número de pieza W10574850 (2,0 vatios).  
**NOTA:** Algunos focos LED de reemplazo no se recomiendan para ambientes húmedos. Los compartimientos del refrigerador y congelador se consideran ambientes húmedos. Si utiliza un foco LED de una marca diferente a la recomendada, antes de la instalación, lea y siga todas las instrucciones del empaque del LED.
  - Si usa un foco incandescente para reemplazar uno LED, use solo focos incandescentes para electrodomésticos con un máximo de 25 vatios.
4. Vuelva a colocar la pantalla de luz.
5. Enchufe el refrigerador o reconecte el suministro de energía.

---

## Cuidado durante las vacaciones y mudanzas

---

### Vacaciones

---

**Si usted decide dejar el refrigerador funcionando mientras está ausente:**

1. Use todos los artículos perecederos y congele el resto.
2. Si su refrigerador tiene una fábrica de hielo automática y está conectada al suministro de agua de la casa, cierre el suministro de agua al refrigerador. Si no se cierra el suministro de agua, pueden ocurrir daños a la propiedad.
3. Si usted tiene una fábrica de hielo automática, apáguela.  
**NOTA:** Levante el brazo de cierre de alambre hacia la posición OFF (Apagado - brazo hacia arriba).
4. Vacíe el depósito de hielo.

**Si usted decide apagar el refrigerador antes de irse:**

1. Saque toda la comida del refrigerador.
2. Si su refrigerador tiene fábrica de hielo automática:
  - Cierre el suministro de agua a la fábrica de hielo por lo menos un día antes.
  - Cuando caiga el último lote de hielo, levante el brazo de control de alambre a la posición OFF (Apagado - hacia arriba).
3. Apague el control(es) de Temperatura. Vea “Uso de los controles”.
4. Limpie el refrigerador, pásele un trapo y séquelo bien.
5. Fije bloques de goma o de madera con cinta adhesiva en la parte superior de ambas puertas para que queden abiertas y el aire circule. Esto evita que se formen olores y que crezcan hongos.

### Mudanza

---

Si Ud. muda su refrigerador a una casa nueva, siga estos pasos para prepararse para la mudanza.

1. Si su refrigerador tiene fábrica de hielo automática:
  - Cierre el suministro de agua a la fábrica de hielo por lo menos un día antes.
  - Desconecte la tubería de agua de atrás del refrigerador.
  - Cuando caiga el último lote de hielo, levante el brazo de control de alambre a la posición OFF (Apagado - hacia arriba).
2. Saque toda la comida del refrigerador y empaque todos los alimentos congelados en hielo seco.
3. Vacíe el depósito de hielo.
4. Apague el control(es) de Temperatura. Vea “Uso de los controles”.
5. Desenchufe el refrigerador.
6. Limpie, enjuague y seque meticulosamente el refrigerador.
7. Saque todas las partes desmontables, envuélvalas bien y asegúrelas con cinta adhesiva para que no se sacudan durante la mudanza.
8. Según el modelo, levante la parte delantera del refrigerador para que ruede con facilidad O levante las patas niveladoras para no rayar el suelo. Vea “Ajustar la Puerta(s)” o “Cierre y Alineamiento de las Puertas.”
9. Sostenga las puertas cerradas y el cable pegado a la parte posterior del refrigerador con cinta adhesiva.

Cuando llegue a la casa nueva, ponga todo de nuevo en su sitio y lea la sección “Instrucciones de instalación” para obtener instrucciones de preparación. Además, si su refrigerador tiene fábrica de hielo automática, recuerde volver a conectar el suministro de agua al refrigerador.

---

## SOLUCIÓN DE PROBLEMAS

Pruebe primero las soluciones sugeridas aquí. Si necesita asistencia adicional o más recomendaciones que pueden ayudarle a evitar una llamada de servicio técnico, consulte la página de la garantía de este manual y escanee el código con su dispositivo móvil o visite [www.maytag.com/product\\_help](http://www.maytag.com/product_help).

En Canadá, visite [www.maytag.ca](http://www.maytag.ca).

Contáctenos por correo con sus preguntas o dudas a la dirección que aparece a continuación:

En los EE.UU.:

Maytag Brand Home Appliances  
Centro para la eXperiencia del cliente  
553 Benson Road  
Benton Harbor, MI 49022-2692

Incluya en su correspondencia un número de teléfono en el que se le pueda localizar durante el día.

En Canadá:

Maytag Brand Home Appliances  
Customer eXperience Centre  
200 – 6750 Century Ave.  
Mississauga, Ontario L5N 0B7

### El refrigerador no funciona

#### **⚠ ADVERTENCIA**



#### **Peligro de Choque Eléctrico**

**Conecte a un contacto de pared de conexión a tierra de 3 terminales.**

**No quite la terminal de conexión a tierra.**

**No use un adaptador.**

**No use un cable eléctrico de extensión.**

**No seguir estas instrucciones puede ocasionar la muerte, incendio o choque eléctrico.**

- **¿Está desenchufado el cable de suministro de energía?** Conecte el producto a un contacto de pared de 3 terminales con conexión a tierra.
- **¿Funciona el contacto?** Enchufe una lámpara para ver si funciona el enchufe.
- **¿Hay un fusible de la casa fundido o se disparó el cortacircuitos?** Reemplace el fusible o reinicie el disyuntor. Si el problema continúa, llame a un electricista.
- **¿El control o los controles están encendidos?** Asegúrese de que el control del refrigerador esté encendido. Vea “Uso de los controles”.
- **¿Es nueva la instalación?** Deje transcurrir 24 horas después de la instalación para que el refrigerador se enfríe por completo.  
**NOTA:** El ajustar el (los) control(es) de temperatura hacia la posición más fría no hará que el refrigerador enfríe más rápido.

### Las luces no funcionan

**¿Se quemó un foco?** Reemplace el foco. Vea “Cómo cambiar los focos”.

### El motor parece funcionar excesivamente

Es posible que su nuevo refrigerador funcione por períodos más largos que su refrigerador anterior debido al compresor y los ventiladores de alto rendimiento. Es posible que la unidad funcione por más tiempo si la habitación está caliente, si se ha agregado una gran cantidad de alimentos, si se abre la puerta con frecuencia o si se ha dejado la misma abierta.

### El refrigerador parece ser ruidoso

El ruido del refrigerador se ha ido reduciendo a lo largo de los años. Debido a esta reducción, es posible que escuche ruidos intermitentes en su nuevo refrigerador que no había notado en el modelo viejo. A continuación se enumeran algunos sonidos normales con explicaciones.

- **Zumbido** - se escucha cuando la válvula de agua se abre para llenar la fábrica de hielo.
- **Sonido pulsante** - los ventiladores/el compresor se están ajustando para obtener el máximo desempeño.
- **Sonido sibilante/vibraciones** - flujo de líquido refrigerante, movimiento de la tubería de agua o artículos guardados arriba del refrigerador.
- **Chisporroteos/Gorgoteos** - agua goteando en el calentador durante el ciclo de descongelación.
- **Estallido** - contracción/expansión de las paredes interiores, especialmente durante el enfriamiento inicial.
- **Agua corriendo/goteando/chisporroteando** - puede escucharse cuando el hielo se derrite durante la descongelación y el agua corre hacia la bandeja recolectora.
- **Chirridos/Crujidos** - esto ocurre cuando el hielo es expulsado del molde de la fábrica de hielo.

### Las puertas no se cierran por completo o se abren de golpe

- **¿Están bloqueadas las puertas?** Aleje los paquetes de alimentos de la puerta.
- **¿Hay un recipiente o un estante bloqueando el paso?** Empuje el recipiente o el estante a la posición correcta.
- **¿Está obstruyendo la tapa del compartimiento para verduras?** Asegúrese de empujar bien la tapa del compartimiento para verduras, de manera que la parte posterior descansa sobre los soportes.
- **¿No está inclinado el refrigerador hacia atrás?** Para que las puertas se cierren con mayor facilidad, levante el frente del refrigerador de manera que se incline ligeramente hacia abajo en la parte posterior. Vea “Ajuste las puertas”.
- **¿Ha cerrado la puerta demasiado rápido?** Cierre la puerta despacio y con firmeza para evitar que se abra de golpe.

## **ADVERTENCIA**



### **Peligro de Explosión**

**Use un limpiador no inflamable.**

**No seguir esta instrucción puede ocasionar la muerte, explosión o incendio.**

- **¿Están las empaquetaduras sucias o pegajosas?** Limpie las juntas y las superficies de contacto con jabón suave y agua tibia. Enjuague y seque con un paño suave.

## **Temperatura y humedad**

### **La temperatura está demasiado elevada**

- **¿Es nueva la instalación?** Deje transcurrir 24 horas después de la instalación para que el refrigerador se enfríe por completo.
- **¿Se abre o se deja la puerta abierta a menudo?** Esto hace que entre aire tibio al refrigerador. Reduzca al mínimo el número de veces que abre la puerta y mantenga la puerta completamente cerrada.
- **¿Se ha agregado una gran cantidad de alimentos?** Deje que transcurran varias horas para que el refrigerador vuelva a la temperatura normal.
- **¿Se han ajustado los controles correctamente de acuerdo con las condiciones circundantes?** Ajuste los controles a un ajuste más frío. Fíjese en la temperatura en 24 horas. Vea "Uso de los controles".

### **Hay acumulación de humedad en el interior**

**NOTA:** Cierta acumulación de humedad es normal.

- **¿Está húmeda la habitación?** Esto contribuye a la acumulación de humedad.
- **¿Se abre o se deja la puerta abierta a menudo?** Esto hace que entre aire húmedo al refrigerador. Reduzca al mínimo el número de veces que abre la puerta y mantenga la puerta completamente cerrada.

## **Hielo y agua**

### **La fábrica de hielo no produce hielo o no produce suficiente hielo**

- **¿Se ha conectado el refrigerador a un suministro de agua y se ha abierto la válvula de cierre?** Conecte el refrigerador al suministro de agua y abra completamente la válvula de cierre.
- **¿Hay un estrechamiento en la tubería de suministro de agua?** Un estrechamiento en la tubería puede reducir el flujo de agua. Enderece la tubería de suministro de agua.
- **¿Está encendida la fábrica de hielo?** Asegúrese de que el brazo o interruptor de cierre de alambre (dependiendo del modelo) esté en la posición de ON (Encendido).
- **¿Es nueva la instalación?** Espere 24 horas después de la instalación de la fábrica de hielo para que empiece a producir hielo. Deje transcurrir 3 días para que se vuelva a llenar por completo el depósito de hielo.
- **¿Se acaba de sacar una gran cantidad de hielo?** Deje transcurrir 24 horas para que la fábrica de hielo produzca más hielo.
- **¿Se trabó un cubo de hielo en el brazo eyector de la fábrica de hielo?** Saque el hielo del brazo eyector con un utensilio de plástico.
- **¿Se ha conectado un sistema de filtración de agua de ósmosis inversa al suministro de agua fría?** Esto puede hacer que disminuya la presión de agua. Vea "Requisitos del suministro de agua".

### **Los cubos de hielo son huecos o pequeños**

**NOTA:** Esto es una indicación de baja presión de agua.

- **¿No está abierta por completo la válvula de cierre de agua?** Abra completamente la válvula de cierre de agua.
- **¿Hay un estrechamiento en la tubería de suministro de agua?** Un estrechamiento en la tubería puede reducir el flujo de agua. Enderece la tubería de suministro de agua.
- **¿Se ha conectado un sistema de filtración de agua de ósmosis inversa al suministro de agua fría?** Esto puede hacer que disminuya la presión de agua. Vea "Requisitos del suministro de agua".
- **¿Aún tiene preguntas acerca de la presión de agua?** Llame a un plomero competente autorizado.

### **El hielo tiene mal sabor, mal olor o un color grisáceo**

- **¿Son nuevas las conexiones de plomería?** Las conexiones nuevas de plomería pueden producir un hielo descolorido o de mal sabor.
- **¿Se han guardado los cubos de hielo por mucho tiempo?** Deseche ese hielo. Lave el recipiente de hielo. Deje transcurrir 24 horas para que la fábrica de hielo haga hielo nuevo.
- **¿Ha habido una transferencia de olor de los alimentos?** Use recipientes herméticos contra humedad para almacenar comida.
- **¿Contiene el agua minerales (como el azufre)?** Podría ser necesario instalar un filtro de agua para eliminar los minerales.

---

## ACCESORIOS

Los siguientes accesorios están disponibles para su refrigerador.  
Para hacer un pedido, contáctenos y pida el número de pieza.

En EE. UU., visite [www.maytag.com/accessories](http://www.maytag.com/accessories) o llame al  
**1-800-688-9900**.

En Canadá, visite [www.maytag.ca](http://www.maytag.ca) o llame al **1-800-807-6777**.

### **Limpiador de acero inoxidable affresh®:**

En EE. UU., pida la pieza N° W10355016

En Canadá, pida la pieza N° W10355016B

### **Toallas limpiadoras de acero inoxidable affresh®:**

En EE. UU., pida la pieza N° W10355049

En Canadá, pida la pieza N° W10355049B

### **Limpiador de cocina y electrodomésticos affresh®:**

En EE. UU., pida la pieza N° W10355010

En Canadá, pida la pieza N° W10355010B

### **Filtro de aire:**

Pida la pieza N° W10311524

### **Juego para invertir el cierre de la puerta:**

Pida la pieza N° W10395149

# MAYTAG® REFRIGERATION LIMITED WARRANTY

ATTACH YOUR RECEIPT HERE. PROOF OF PURCHASE IS REQUIRED TO OBTAIN WARRANTY SERVICE.

Please have the following information available when you call the Customer eXperience Center:

- Name, address and telephone number
- Model number and serial number
- A clear, detailed description of the problem
- Proof of purchase including dealer or retailer name and address

## IF YOU NEED SERVICE:

1. Before contacting us to arrange service, please determine whether your product requires repair. Some questions can be addressed without service. Please take a few minutes to review the Troubleshooting or Problem Solver section of the Use and Care Guide, scan the QR code on the right to access additional resources, or visit [https://www.maytag.com/product\\_help](https://www.maytag.com/product_help).
2. All warranty service is provided exclusively by our authorized Maytag Service Providers. In the U.S. and Canada, direct all requests for warranty service to:

**Maytag Customer eXperience Center**

**In the U.S.A., call 1-800-688-9900. In Canada, call 1-800-807-6777.**

If outside the 50 United States or Canada, contact your authorized Maytag dealer to determine whether another warranty applies.



[https://www.maytag.com/product\\_help](https://www.maytag.com/product_help)

## TEN YEAR LIMITED WARRANTY

### WHAT IS COVERED

#### FIRST YEAR LIMITED WARRANTY (PARTS AND LABOR)

For one year from the date of purchase, when this major appliance is installed, operated and maintained according to instructions attached to or furnished with the product, Maytag brand of Whirlpool Corporation or Whirlpool Canada, LP (hereafter "Maytag") will pay for factory specified replacement parts and repair labor to correct defects in materials or workmanship that existed when this major appliance was purchased, or at its sole discretion replace the product. In the event of product replacement, your appliance will be warranted for the remaining term of the original unit's warranty period.

#### SECOND THROUGH TENTH YEAR LIMITED WARRANTY (COMPRESSOR ONLY - LABOR NOT INCLUDED)

In the second through tenth years from the date of original purchase, when this major appliance is installed, operated and maintained according to instructions attached to or furnished with the product, Maytag will pay for a factory specified replacement compressor to correct non-cosmetic defects in materials or workmanship in this part that prevent function of the refrigerator and that existed when this major appliance was purchased. This limited 10-year warranty is for the compressor only and does not include labor.

YOUR SOLE AND EXCLUSIVE REMEDY UNDER THIS LIMITED WARRANTY SHALL BE PRODUCT REPAIR AS PROVIDED HEREIN. Service must be provided by a Maytag designated service company. This limited warranty is valid only in the United States or Canada and applies only when the major appliance is used in the country in which it was purchased. This limited warranty is effective from the date of original consumer purchase. Proof of original purchase date is required to obtain service under this limited warranty.

### WHAT IS NOT COVERED

1. Commercial, non-residential or multiple-family use, or use inconsistent with published user, operator or installation instructions.
2. In-home Instruction on how to use your product
3. Service to correct improper product maintenance or installation, installation not in accordance with electrical or plumbing codes or correction of household electrical or plumbing (i.e. house wiring, fuses or water inlet hoses).
4. Consumable parts (i.e. light bulbs, batteries, air or water filters, preservation solutions, etc.).
5. Damage from accident, misuse, abuse, fire, floods, acts of God or use with products not approved by Maytag.
6. Repairs to parts or systems to correct product damage or defects caused by unauthorized service, alteration or modification of the appliance.
7. Cosmetic damage including scratches, dents, chips, and other damage to appliance finishes unless such damage results from defects in materials and workmanship and is reported to Maytag within 30 days.
8. Discoloration, rust or oxidation of surfaces resulting from caustic or corrosive environments including but not limited to high salt concentrations, high moisture or humidity or exposure to chemicals.
9. Food or medicine loss due to product failure.
10. Pick-up or delivery. This product is intended for in-home repair.
11. Travel or transportation expenses for service in remote locations where an authorized Maytag servicer is not available.
12. Removal or reinstallation of inaccessible appliances or built-in fixtures (i.e. trim, decorative panels, flooring, cabinetry, islands, countertops, drywall, etc.) that interfere with servicing, removal or replacement of the product.
13. Service or parts for appliances with original model/serial numbers removed, altered or not easily determined.

**The cost of repair or replacement under these excluded circumstances shall be borne by the customer.**

### DISCLAIMER OF IMPLIED WARRANTIES

IMPLIED WARRANTIES, INCLUDING ANY IMPLIED WARRANTY OF MERCHANTABILITY OR IMPLIED WARRANTY OF FITNESS FOR A PARTICULAR PURPOSE, ARE LIMITED TO ONE YEAR OR THE SHORTEST PERIOD ALLOWED BY LAW. Some states and provinces do not allow limitations on the duration of implied warranties of merchantability or fitness, so this limitation may not apply to you. This warranty gives you specific legal rights, and you also may have other rights that vary from state to state or province to province.

### DISCLAIMER OF REPRESENTATIONS OUTSIDE OF WARRANTY

Maytag makes no representations about the quality, durability, or need for service or repair of this major appliance other than the representations contained in this warranty. If you want a longer or more comprehensive warranty than the limited warranty that comes with this major appliance, you should ask Maytag or your retailer about buying an extended warranty.

### LIMITATION OF REMEDIES; EXCLUSION OF INCIDENTAL AND CONSEQUENTIAL DAMAGES

YOUR SOLE AND EXCLUSIVE REMEDY UNDER THIS LIMITED WARRANTY SHALL BE PRODUCT REPAIR AS PROVIDED HEREIN. MAYTAG SHALL NOT BE LIABLE FOR INCIDENTAL OR CONSEQUENTIAL DAMAGES. Some states and provinces do not allow the exclusion or limitation of incidental or consequential damages, so these limitations and exclusions may not apply to you. This warranty gives you specific legal rights, and you also may have other rights that vary from state to state or province to province.

®/™ ©2015. All rights reserved.  
Used under license in Canada.  
®/™ ©2015. Tous droits réservés.  
Emploi sous licence au Canada.  
®/™ ©2015. Todos los derechos reservados.  
Usada en Canadá bajo licencia.