

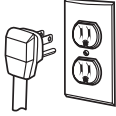


# Compactor

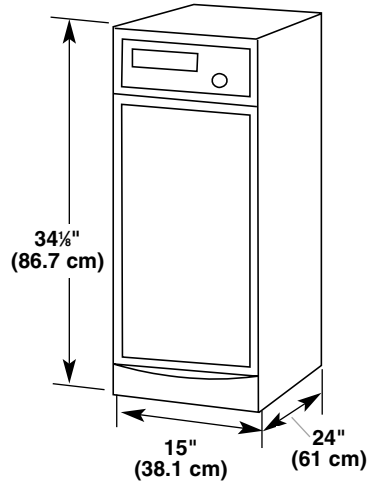
## PRODUCT MODEL NUMBERS

MTUC7000AW

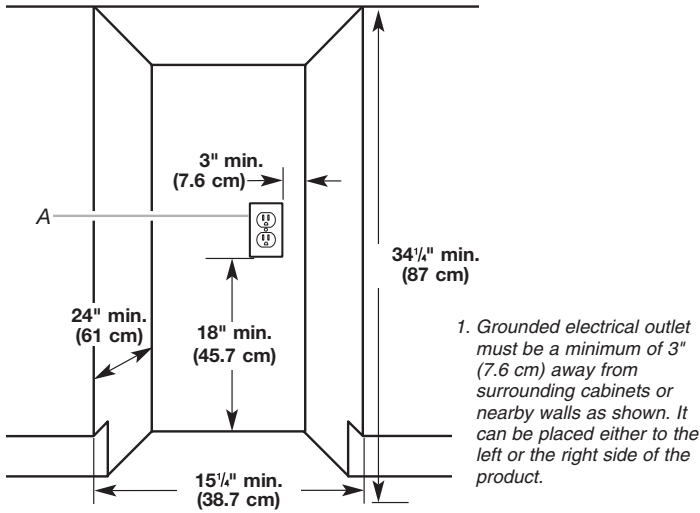
This compactor is for use on a single phase, 115-volt, 60 Hz, AC only, 15- or 20-amp fused and properly grounded circuit and is equipped with a grounding plug as shown below. It is recommended that a separate circuit serving only this appliance be provided.



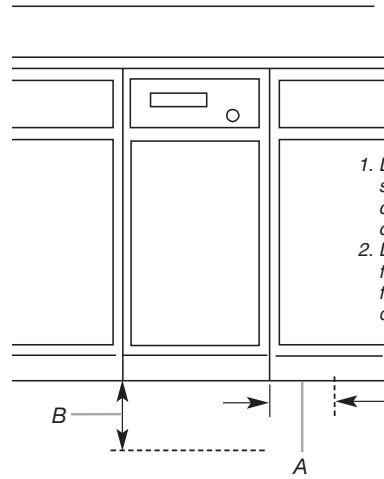
## OVERALL DIMENSIONS



## CABINET OPENING DIMENSIONS



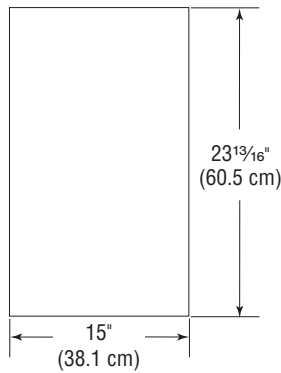
## CLEARANCE DIMENSIONS



## CUSTOM PANELS

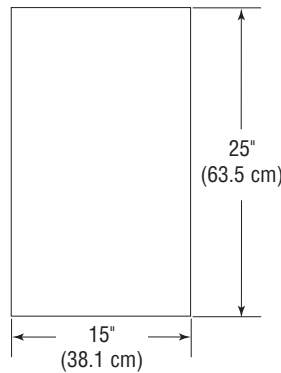
### Without Trim Kit

#### Models with handles



Panel should be 1/2" to 5/8" (13 to 16 mm) thick. NOTE: A thicker panel may need rounded front corners and a cutout for access to the handle.

#### Models without handles



Panel should be 1/2" (13 mm) min. thickness