

Bottom Freezer Refrigerators

Safety Instructions2, 3

Operating Instructions

Care and Cleaning7, 8

Controls4

Crispers and Pans5

Freezer Compartment6

Replacing the Light Bulbs8

Shelves and Bins4

Installation Instructions

Installing the Refrigerator10-12

Preparing to Install
the Refrigerator9

Reversing the Door Swing13-16

Troubleshooting Tips17-19

Normal Operating Sounds17

Consumer Support

Consumer Support24

Product Registration21, 22

Warranty23

**Owner's Manual and
Installation Instructions**

Models 20 and 22

Write the model and serial
numbers here:

Model # _____

Serial # _____

Find these numbers on a label
on the right side, near the top of the
refrigerator compartment.

REVIEW COPY
Not Approved for Printing

IMPORTANT SAFETY INFORMATION. READ ALL INSTRUCTIONS BEFORE USING.

⚠ WARNING!

Use this appliance only for its intended purpose as described in this Owner's Manual.



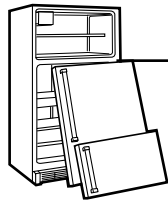
SAFETY PRECAUTIONS

When using electrical appliances, basic safety precautions should be followed, including the following:

- This refrigerator must be properly installed and located in accordance with the Installation Instructions before it is used.
 - Do not allow children to climb, stand or hang on the shelves in the refrigerator. They could damage the refrigerator and seriously injure themselves.
 - Do not touch the cold surfaces in the freezer compartment when hands are damp or wet. Skin may stick to these extremely cold surfaces.
 - Do not store or use gasoline or other flammable vapors and liquids in the vicinity of this or any other appliance.
 - Keep fingers out of the "pinch point" areas; clearances between the doors and between the doors and cabinet are necessarily small. Be careful closing doors when children are in the area.
 - In refrigerators with automatic icemakers, avoid contact with the moving parts of the ejector mechanism, or with the heating element that releases the cubes. Do not place fingers or hands on the automatic icemaking mechanism while the refrigerator is plugged in.
 - Unplug the refrigerator before cleaning and making repairs.
- NOTE:** We strongly recommend that any servicing be performed by a qualified individual.
- Setting either or both controls to the **off** position does not remove power to the light circuit.
 - Do not refreeze frozen foods which have thawed completely.

⚠ DANGER! RISK OF CHILD ENTRAPMENT

PROPER DISPOSAL OF THE REFRIGERATOR



Child entrapment and suffocation are not problems of the past. Junked or abandoned refrigerators are still dangerous...even if they will sit for "just a few days." If you are getting rid of your old refrigerator, please follow the instructions below to help prevent accidents.

Before You Throw Away Your Old Refrigerator or Freezer:

- Take off the doors.
- Leave the shelves in place so that children may not easily climb inside.

Refrigerants

All refrigeration products contain refrigerants, which under federal law must be removed prior to product disposal. If you are getting rid of an old refrigeration product, check with the company handling the disposal about what to do.

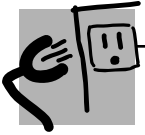


USE OF EXTENSION CORDS

Because of potential safety hazards under certain conditions, we strongly recommend against the use of an extension cord.

However, if you must use an extension cord, it is absolutely necessary that it be a CSA certified, 3-wire grounding type appliance extension cord having a grounding type plug and outlet and that the electrical rating of the cord be 15 amperes (minimum) and 120 volts.

⚠ WARNING!



HOW TO CONNECT ELECTRICITY

Do not, under any circumstances, cut or remove the third (ground) prong from the power cord. For personal safety, this appliance must be properly grounded.

The power cord of this appliance is equipped with a 3-prong (grounding) plug which mates with a standard 3-prong (grounding) wall outlet to minimize the possibility of electric shock hazard from this appliance.

Have the wall outlet and circuit checked by a qualified electrician to make sure the outlet is properly grounded.

Where a standard 2-prong wall outlet is encountered, it is your personal responsibility and obligation to have it replaced with a properly grounded 3-prong wall outlet.

The refrigerator should always be plugged into its own individual electrical outlet which has a voltage rating that matches the rating plate.

This provides the best performance and also prevents overloading house wiring circuits which could cause a fire hazard from overheated wires.

Never unplug your refrigerator by pulling on the power cord. Always grip plug firmly and pull straight out from the outlet.

Repair or replace immediately all power cords that have become frayed or otherwise damaged. Do not use a cord that shows cracks or abrasion damage along its length or at either end.

When moving the refrigerator away from the wall, be careful not to roll over or damage the power cord.



USE OF ADAPTER PLUGS

Adapter plugs are not permitted in Canada.



READ AND FOLLOW THIS SAFETY INFORMATION CAREFULLY.

SAVE THESE INSTRUCTIONS

About the controls.



Initially, set the refrigerator control at **5** and the freezer control at **5**. Allow 24 hours for the temperature to stabilize. Several adjustments may be required. Adjust the controls one increment at a time, and allow 24 hours after each adjustment for the refrigerator to reach the temperature you have set. Setting the refrigerator control knob to **0** stops cooling in both the refrigerator and freezer compartments, but does not shut off electrical power to the refrigerator.

About the shelves and bins.

Not all features are on all models.

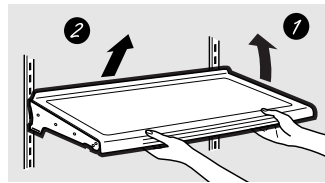
Rearranging the Shelves

Shelves in the refrigerator compartment are adjustable.

Refrigerator Compartment

To remove:

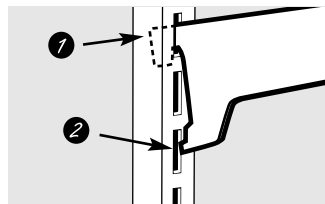
- 1 Remove all items from the shelf.
- 2 Tilt the shelf up at the front.
- 3 Lift the shelf up at the back and bring the shelf out.



Some models have wire shelves that can be adjusted in the same manner.

To replace:

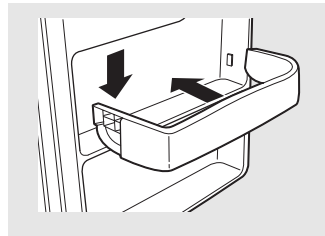
- 1 While tilting the shelf up, insert the top hook at the back of the shelf in a slot on the track.
- 2 Lower the front of the shelf until the bottom of the shelf locks into place.

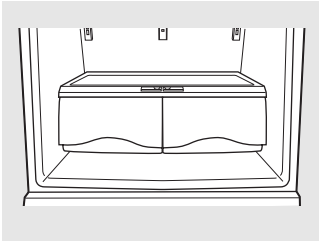


Non-Adjustable Shelves on the Door

To remove: Lift the shelf straight up, then pull out.

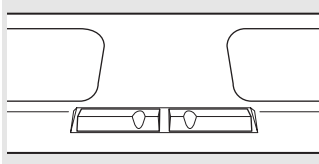
To replace: Engage the shelf in the molded supports on the door and push down. It will lock in place.





Fruit and Vegetable Crisper

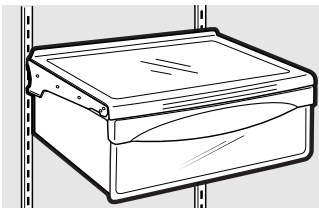
Excess water that may accumulate in the bottom of the drawers or under the drawers should be wiped dry.



Adjustable Humidity Crisper (on some models)

Slide the control all the way to the **HIGH** setting to provide high humidity recommended for most vegetables.

Slide the control all the way to the **LOW** setting to provide lower humidity levels recommended for most fruits.

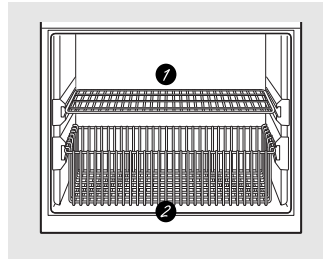


Snack Pan (on some models)

This pan can be moved to the most useful location for your family's needs.

To remove, slide the pan out to the **stop** position, lift the pan up and past the **stop** position and lift it out.

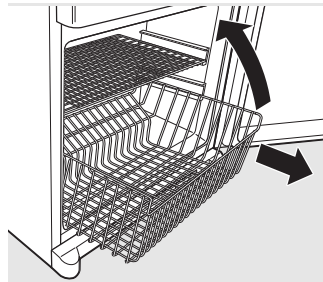
About the freezer compartment.



Freezer Shelves and Baskets

- 1 A full-width fixed wire shelf
- 2 A full-width sliding wire basket

NOTE: Do not fill baskets higher than the rim of the basket. This may cause baskets to stick or jam when opening or closing.



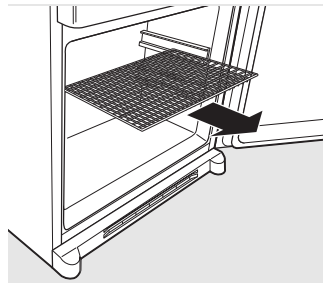
Basket Removal

To remove the full-width sliding wire basket:

- 1 Open the basket out to its full extension.
- 2 Lift up the front of the basket and pull straight out to remove.

When replacing the full-width sliding wire basket:

Insert the wire basket into the **lower** liner's rails and push back into place.



Fixed Shelf Removal

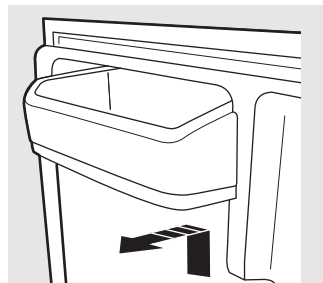
The full-width wire shelf is not intended to slide.

To remove for cleaning:

Hold the shelf at the front and pull it firmly forward.

When replacing the full-width wire shelf:

Insert the wire shelf into the **upper** liner's rails and push back into place.

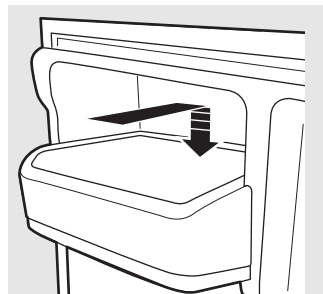


To remove

Non-Adjustable Shelf on Freezer Door

To remove: Lift the shelf straight up, then pull out.

To replace: Engage the shelf in the molded supports on the door and push down. It will lock in place.



To replace

Cleaning the Outside

The door handles and trim. Clean with a cloth dampened with soapy water. Dry with a soft cloth. Do not use wax on the door handles and trim.

Keep the outside clean. Wipe with a clean cloth lightly dampened with kitchen appliance wax or mild liquid dish detergent. Dry and polish with a clean, soft cloth.

Do not wipe the refrigerator with a soiled dish cloth or wet towel. These may leave a residue that can erode the paint. Do not use scouring pads, powdered cleaners, bleach or cleaners containing bleach because these products can scratch and weaken the paint finish.

Cleaning the Inside

To help prevent odors, leave an open box of baking soda in the refrigerator and freezer compartments.

Unplug the refrigerator before cleaning. If this is not practical, wring excess moisture out of sponge or cloth when cleaning around switches, lights or controls.

Use an appliance wax polish on the inside surface between the doors.

Use warm water and baking soda solution—about a tablespoon (15 ml) of baking soda to a quart (1 liter) of water. This both cleans and neutralizes odors. Rinse and wipe dry.

After cleaning the door gaskets, apply a thin layer of petroleum jelly to the door gaskets at the hinge side. This helps keep the gaskets from sticking and bending out of shape.

Avoid cleaning cold glass shelves with hot water because the extreme temperature difference may cause them to break. Handle glass shelves carefully. Bumping tempered glass can cause it to shatter.

Do not wash any plastic refrigerator parts in the dishwasher.

Behind the Refrigerator

Be careful when moving the refrigerator away from the wall. All types of floor coverings can be damaged, particularly cushioned coverings and those with embossed surfaces.

Raise the leveling legs located at the bottom front of the refrigerator.

Pull the refrigerator straight out and return it to position by pushing it straight in. Moving

the refrigerator in a side direction may result in damage to the floor covering or refrigerator.

Lower the leveling legs until they touch the floor.

When pushing the refrigerator back, make sure you don't roll over the power cord or icemaker supply line (on some models).

Care and cleaning of the refrigerator.

Preparing for Vacation

For long vacations or absences, remove food and unplug the refrigerator. Clean the interior with a baking soda solution of one tablespoon (15 ml) of baking soda to one quart (1 liter) of water. Leave the doors open.

If the temperature can drop below freezing, have a qualified servicer drain the water supply system (on some models) to prevent serious property damage due to flooding.

Preparing to Move

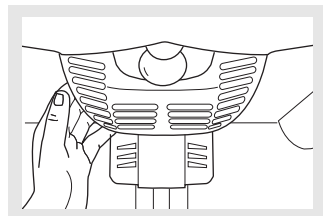
Secure all loose items such as base grille, shelves and drawers by taping them securely in place to prevent damage.

Be sure the refrigerator stays in an upright position during moving.

When using a hand truck to move the refrigerator, do not rest the front or back of the refrigerator against the hand truck. This could damage the refrigerator. Handle only from the sides of the refrigerator.

Replacing the light bulbs.

Turning the control to the **off** position does not remove power to the light circuit.



Refrigerator Lights

⚠ CAUTION: Light bulbs may be hot.

- 1 Unplug the refrigerator.
- 2 To remove the light shield, grasp the shield at the back and pull out to release the tabs at the back.
- 3 Rotate the shield down and then forward to release the tabs at the front of the shield.

- 4 After replacing with an appliance bulb of the same or lower wattage, replace the shield.
- 5 Plug the refrigerator back in.

NOTE: Appliance bulbs may be ordered from GE Parts and Accessories, 800.626.2002.

Installation Instructions

Refrigerator

Models 20 and 22

Questions? Call 1.800.561.3344 or Visit our Website at: moffatappliances.ca

BEFORE YOU BEGIN

Read these instructions completely and carefully.

- **IMPORTANT** – Save these instructions for local inspector's use.
- **IMPORTANT** – Observe all governing codes and ordinances.
- **Note to Installer** – Be sure to leave these instructions with the Consumer.
- **Note to Consumer** – Keep these instructions for future reference.
- **Skill level** – Installation of this appliance requires basic mechanical skills.
- **Completion time** – Refrigerator Installation
20 minutes
Water Line Installation
30 minutes
- Proper installation is the responsibility of the installer.
- Product failure due to improper installation is not covered under the Warranty.

PREPARATION

MOVING THE REFRIGERATOR INDOORS

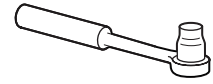
If the refrigerator will not fit through a doorway, the refrigerator door and freezer drawer can be removed.

- To remove the refrigerator door, see Step 1 in the *Reversing the Door Swing* section.
- To remove the freezer drawer, see the *Removing the Freezer Drawer* section.

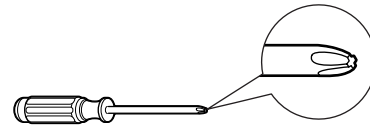
TOOLS YOU MAY NEED



Adjustable Wrench



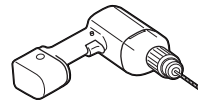
3/8" and 5/16" Socket
Ratchet/Driver



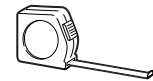
Phillips Head Screwdriver



3/32", 1/8" and 3/16" Allen
wrenches



1/8" Drill Bit and
Electric or Hand Drill



Tape measure



Pencil



1/4" Nut Driver



Wire Cutters



Level

Installation Instructions

INSTALLING THE REFRIGERATOR

REFRIGERATOR LOCATION

- Do not install the refrigerator where the temperature will go below 60°F (16°C) because it will not run often enough to maintain proper temperatures.
- Do not install the refrigerator where the temperature will go above 100°F (37°C) because it will not perform properly.
- Install it on a floor strong enough to support it fully loaded.

CLEARANCES

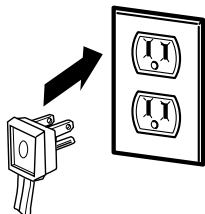
Allow the following clearances for ease of installation, proper air circulation and plumbing and electrical connections.

	Standard Depth Models
Sides	1/8" (3 mm)
Top	1" (25 mm)
Back	1" (25 mm)

1 PLUG IN THE REFRIGERATOR

On models with an icemaker, before plugging in the refrigerator, make sure the icemaker power switch is set to the **O (off)** position.

See the grounding information attached to the power cord.



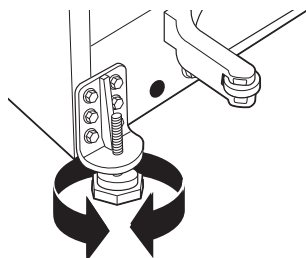
2 PUT THE REFRIGERATOR IN PLACE

Move the refrigerator to its final location.

3 LEVEL THE REFRIGERATOR

Adjustable legs at the front corners of the refrigerator should be set so the refrigerator is firmly positioned on the floor, and the front is raised just enough that the door closes easily when opened about halfway.

To adjust the leveling legs, turn the legs **clockwise to raise** the refrigerator, **counterclockwise to lower** it.



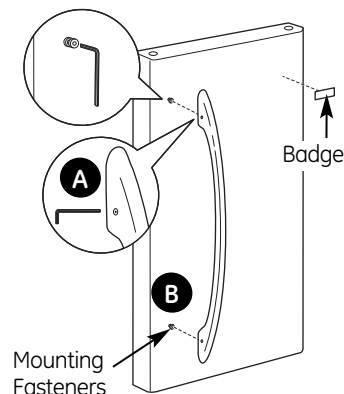
4 REMOVE THE FRESH FOOD DOOR HANDLE

(For placement in the installation location or reversal of the handles – on some models)

Stainless steel (on some models):

- A** REMOVING THE DOOR HANDLE: Loosen the set screws with the 3/32" Allen wrench and remove the handle.

NOTE: For Double Door models follow the same procedure on the opposite door.



(appearance may vary)

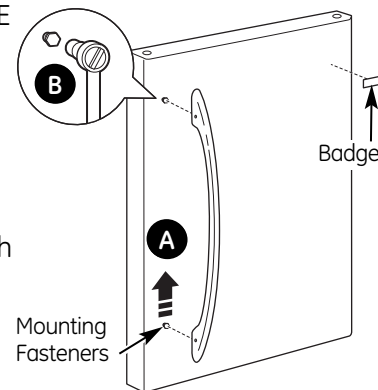
Plastic handle (on some models):

- A** REMOVING THE DOOR HANDLE: Depress the tab on the underside of the handle and slide the handle up and off of the mounting fasteners.

- B** REVERSING THE DOOR HANDLE (on some models):

- Remove the handle mounting fasteners with a 3/16" Allen wrench and transfer the handle mounting fasteners to the right side.

- Remove the logo badge.
- Remove and transfer the plug button to the left side of the fresh food door. **NOTE:** Use a flat plastic edge to prevent damaging the door. Remove any adhesive on the door with a mild detergent. Remove the paper covering on the adhesive backing on the logo badge prior to carefully attaching the badge to the door.



(appearance may vary)

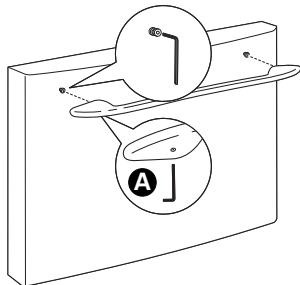
Installation Instructions

5 REMOVE THE FREEZER DOOR HANDLE

Stainless steel and plastic handles:

- A** Loosen the set screws located on the underside of the handle with the 1/8" Allen wrench and remove the handle.

NOTE: If the handle mounting fasteners need to be tightened or removed, use a 3/16" Allen wrench.

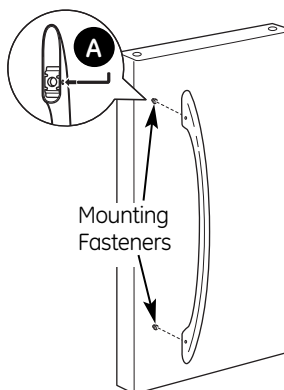


6 ATTACH THE FRESH FOOD DOOR HANDLE

Stainless steel handle:

- A** Attach the handle to the handle mounting fasteners and tighten the set screws with a 3/32" Allen wrench.

NOTE: For Double Door models follow the same procedure on the opposite door.

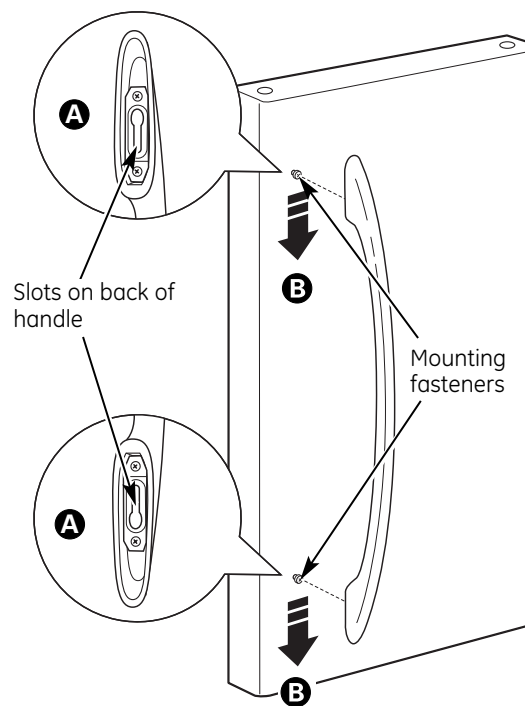


(appearance may vary)

6 ATTACH THE FRESH FOOD DOOR HANDLE (cont.)

Plastic handle:

- A** Attach the handle to the handle mounting fasteners by aligning the slots with the handle mounting fasteners.
- B** Slide it down until it is firmly locked into position.

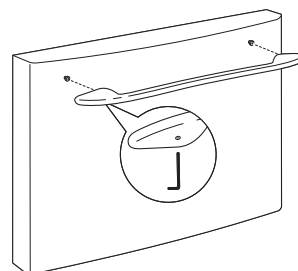


(appearance may vary)

7 ATTACH THE FREEZER DOOR HANDLE

Stainless steel and plastic handles:

- A** Attach the handle firmly to the mounting fasteners and tighten the set screws on the bottom of the handle with a 1/8" Allen wrench.



(appearance may vary)

Installation Instructions

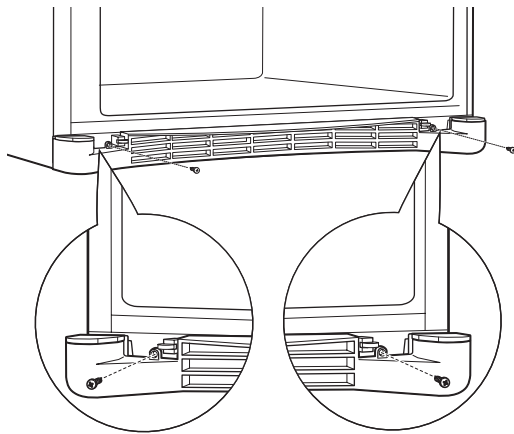
INSTALLING THE REFRIGERATOR (cont.)

8 LEVEL THE REFRIGERATOR

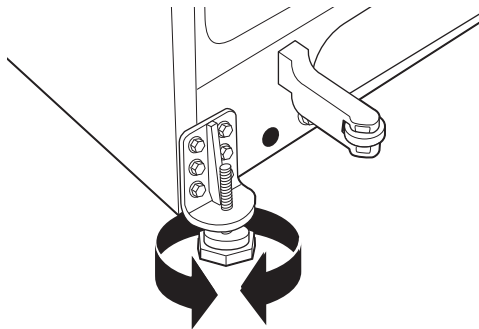
The leveling legs have 2 purposes:

- 1) Leveling legs adjust so the refrigerator is firmly positioned on the floor and does not wobble.
- 2) Leveling legs serve as a stabilizing brake to hold the refrigerator securely in position during operation and cleaning. The leveling legs also prevent the refrigerator from tipping.

- A** Remove the grille by removing the two Phillips head screws.



- B** Turn the leveling legs **clockwise** to raise the refrigerator, **counterclockwise** to lower it.

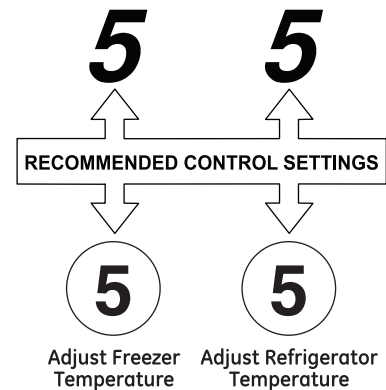


⚠ CAUTION: To avoid possible personal injury or property damage, the leveling legs must be firmly touching the floor.

- C** Replace the base grille by inserting the two Phillips head screws.

9 SET THE CONTROLS

Set the controls to the recommended setting.



Installation Instructions

REVERSING THE DOOR SWING

IMPORTANT NOTES

When reversing the door swing:

NOTE: Door swing is not reversible on stainless steel models.

- Read the instructions all the way through before starting.
- Parts are included in the door hinge kit.
- Handle parts carefully to avoid scratching paint.
- Set screws down by their related parts to avoid using them in the wrong places.
- Provide a non-scratching work surface for the doors.

IMPORTANT: Once you begin, do not move the cabinet until door-swing reversal is completed.

These instructions are for changing the hinges from the right side to the left side—if you ever want to change the hinges back to the right side, follow these same instructions and reverse all references to left and right.

- Once door swing is finalized, ensure the logo badge is properly aligned and permanently secured to the door by removing the adhesive cover on the back side. **NOTE:** A replacement logo badge is included in the hinge kit.

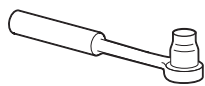
Unplug the refrigerator from its electrical outlet.

Empty all door shelves, including the dairy compartment.

TOOLS YOU WILL NEED



Adjustable Wrench



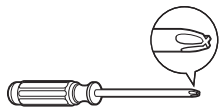
5/16" Socket Ratchet/Driver



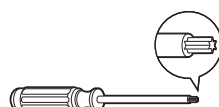
Masking Tape



Thin-blade Screwdriver



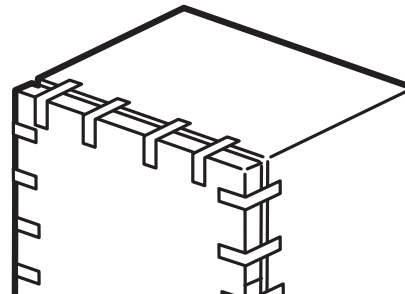
Phillips Screwdriver



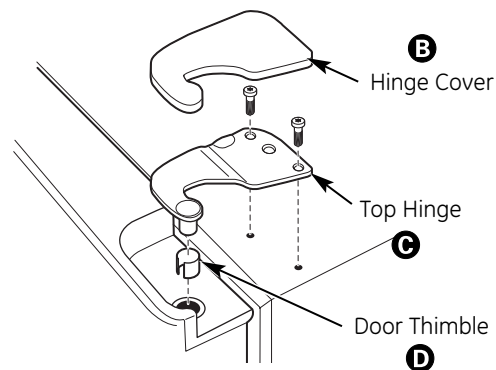
Torx T-20 Driver

1 REMOVE THE REFRIGERATOR DOOR

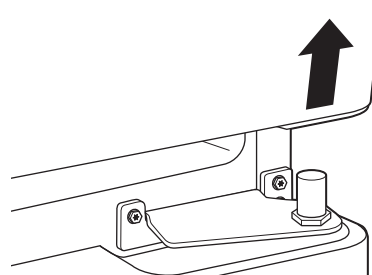
- A** Tape the door shut with masking tape.



- B** Remove the hinge cover on top of the refrigerator door by carefully prying it up with a putty knife, if necessary.
- C** Using a 5/16" socket ratchet/driver, remove the bolts securing the top hinge to the cabinet. Then lift the hinge straight up to free the hinge pin from the socket in the top of the door.
- D** Carefully remove the door thimble from inside the socket. This will be used again when reinstalling the door on the other side.



- E** Remove the tape and tilt the door away from the cabinet. Lift the door off the center hinge pin. Ensure that the plastic hinge pin thimble remains on the hinge pin or inside door hinge pin hole located in the bottom of the door.



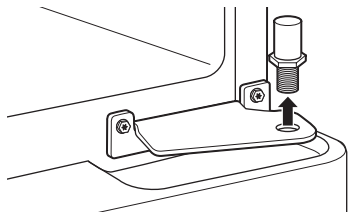
- F** Set the door on a non-scratching surface with the inside up.

Installation Instructions

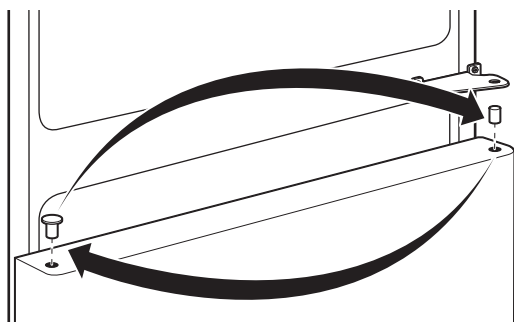
REVERSING THE DOOR SWING (cont.)

2 REMOVE FREEZER DOOR

- A Tape the door shut with masking tape.
- B Remove the hinge pin from the hinge bracket. This will be used again with the new hinge bracket for the other side.



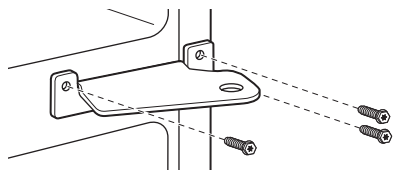
- C Remove the tape and tilt the door away from the cabinet. Lift the door off the bottom hinge pin.
- D Remove the button plug from the left side of the door. Remove the door thimble from the right side of the door. Install the door thimble into the hole on the left and the button plug into the hole on the right.



- E Set the door on a non-scratching surface, with the inside up.

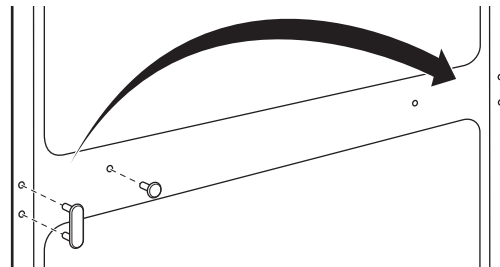
3 TRANSFER CENTER HINGE BRACKET

- A Using a 5/16" socket ratchet/driver, remove the bolts securing the center hinge bracket to the cabinet.

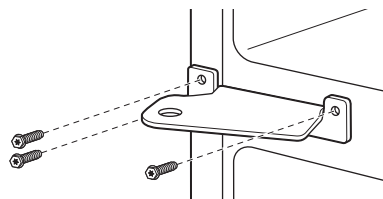


3 TRANSFER CENTER HINGE BRACKET (cont.)

- B Transfer the plug button and screw hole cover in the hinge holes on the left side to the right side.

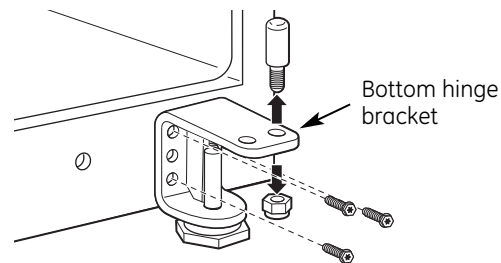


- C Install the new center hinge bracket from the kit on the left side.

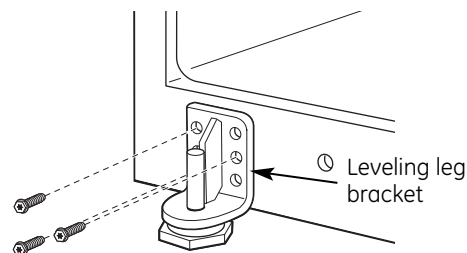


4 REMOVE BOTTOM HINGE AND LEVELING LEG

- A Using a 1/2" socket ratchet/driver, remove the nut and hinge pin from the hinge bracket with leveling leg. Using a 5/16" socket ratchet/driver, remove the screws from the bottom hinge bracket. These will be reinstalled on the other side.



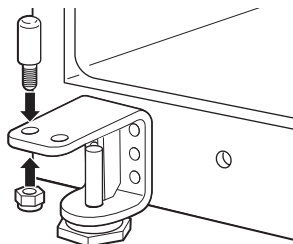
- B Using a 5/16" socket ratchet/driver, remove the screws from the leveling leg bracket on the other side. These will be reinstalled on the opposite side.



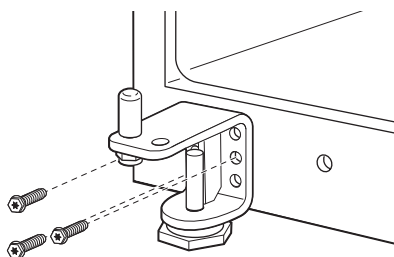
Installation Instructions

5 INSTALL BOTTOM HINGE AND LEVELING LEG

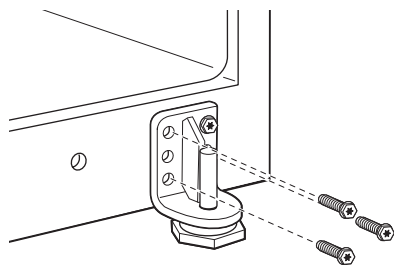
- A** Using a 1/2" socket ratchet/driver, install the hinge pin and nut in the opposite hole on the hinge bracket with leveling leg.



- B** Using a 5/16" socket ratchet/driver, install the hinge bracket with leveling leg on the left side of the refrigerator. The pin will be toward the outside of the refrigerator.

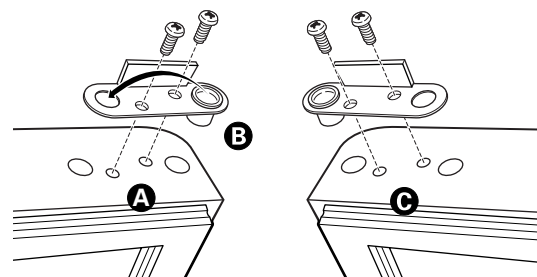


- C** Using a 5/16" socket ratchet/driver, install the leveling leg bracket on the right side of the refrigerator.



6 TRANSFER REFRIGERATOR AND FREEZER DOOR STOPS

- A** Remove the door stop on the right side of the bottom of the door by removing the two screws.
- B** Move the plastic hinge hole thimble to the opposite hole.
- C** Install the door stop on the left side, making sure to line up the screw holes in the door stop with the holes in the bottom of the door.



Bottom of Door (Right Side)

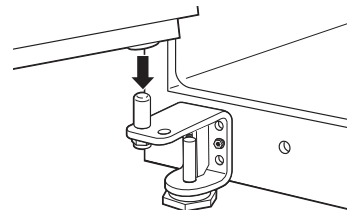
Bottom of Door (Left Side)

7 TRANSFER REFRIGERATOR DOOR HANDLE TO RIGHT

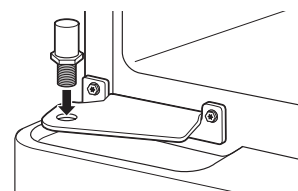
Refer to Remove the Fresh Food Door Handle and Attach the Fresh Food Door Handle sections for instructions.

8 REHANG FREEZER DOOR

- A** Lower the freezer door onto the bottom hinge pin. Ensure that the plastic hinge pin thimble is on the hinge pin or inside the door hinge pin hole located in the bottom of the door.



- B** Straighten the door and line it up with the center hinge bracket.
- C** Install the center hinge pin with a 3/4" socket ratchet/driver. Turn it until it extends through the hinge bracket and into the freezer door.

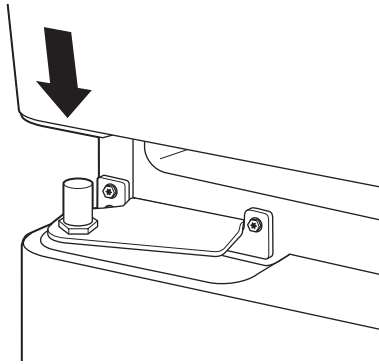


Installation Instructions

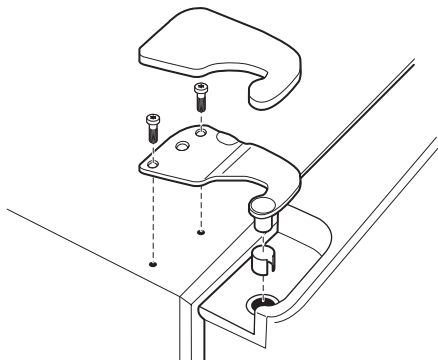
REVERSING THE DOOR SWING (cont.)

9 REHANG REFRIGERATOR DOOR

- A** Lower the refrigerator door onto the center hinge pin. Ensure that the plastic hinge pin thimble is on the center hinge pin or inside door hinge pin hole located in the bottom of the door.

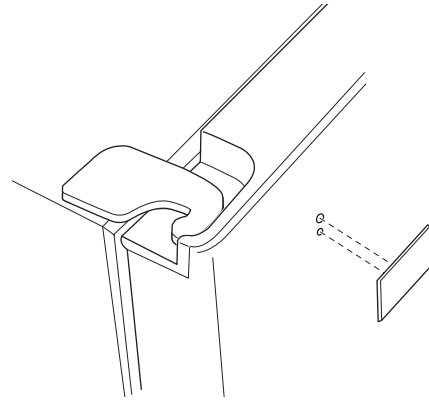


- B** Insert the door thimble into the hinge hole on top of the refrigerator door and then insert the top hinge pin. Make sure the door is aligned with the cabinet. Attach the hinge to the top of the cabinet loosely with the bolts.
- C** Make sure the gasket on the door is flush against the cabinet and is not folded. Support the door on the handle side and make sure the door is straight and the gap between the doors is even across the front. While holding the door in place, tighten the top hinge bolts. Replace the hinge cover.



10 INSTALL THE LOGO BADGE

Remove the adhesive backing paper and align the pins on the back of the badge with the holes in the door. Apply pressure to the badge to ensure it sticks to the door.





Newer refrigerators sound different from older refrigerators. Modern refrigerators have more features and use newer technology.

Do you hear what I hear? These sounds are normal.

HUMMM... WHOOSH...

- The new high efficiency compressor may run faster and longer than your old refrigerator and you may hear a high-pitched hum or pulsating sound while it is operating.
- You may hear a whooshing sound when the doors close. This is due to pressure equalizing within the refrigerator.



- You may hear the fans spinning at high speeds. This happens when the refrigerator is first plugged in, when the doors are opened frequently or when a large amount of food is added to the refrigerator or freezer compartments. The fans are helping to maintain the correct temperatures.
- The fans change speeds in order to provide optimal cooling and energy savings.

CLICKS, POPS, CRACKS and SNAPS

- You may hear cracking or popping sounds when the refrigerator is first plugged in. This happens as the refrigerator cools to the correct temperature.
- The freezer control will click when starting or stopping the compressor.
- Defrost timer snapping in and out of the defrost cycle.
- Expansion and contraction of cooling coils during and after defrost can cause a cracking or popping sound.

WATER SOUNDS



- The flow of refrigerant through the freezer cooling coils may make a gurgling noise like boiling water.
- Water dropping on the defrost heater can cause a sizzling, popping or buzzing sound during the defrost cycle.
- A water dripping noise may occur during the defrost cycle as ice melts from the evaporator and flows into the drain pan.
- Closing the door may cause a gurgling sound due to pressure equalization.

Before you call for service...



Troubleshooting Tips
Save time and money! Review the charts on the following pages first and you may not need to call for service.

Problem	Possible Causes	What To Do
Refrigerator does not operate	Refrigerator in defrost cycle.	• Wait about 30 minutes for defrost cycle to end.
	Control in off position.	• Move the control to a temperature setting.
	Refrigerator is unplugged.	• Push the plug completely into the outlet.
	The fuse is blown/circuit breaker is tripped.	• Replace fuse or reset the breaker.
Vibration or rattling (slight vibration is normal)	Leveling legs need adjusting.	• See <i>Level the Refrigerator</i> .

Before you call for service...



Troubleshooting Tips

Problem	Possible Causes	What To Do
<i>Motor operates for long periods or cycles on and off frequently. (Modern refrigerators with more storage space and a larger freezer require more operating time. They start and stop often to maintain even temperatures.)</i>	Normal when refrigerator is first plugged in.	<ul style="list-style-type: none"> • Wait 24 hours for the refrigerator to completely cool down.
	Often occurs when large amounts of food are placed in refrigerator.	<ul style="list-style-type: none"> • This is normal.
	Door left open.	<ul style="list-style-type: none"> • Check to see if package is holding door open.
	Hot weather or frequent door openings.	<ul style="list-style-type: none"> • This is normal.
	Temperature control set at the coldest setting.	<ul style="list-style-type: none"> • See <i>About the controls</i>.
<i>Refrigerator or freezer compartment too warm</i>	Temperature controls not set cold enough.	<ul style="list-style-type: none"> • See <i>About the controls</i>.
	Warm weather or frequent door openings.	<ul style="list-style-type: none"> • Set the temperature control one step colder. See <i>About the controls</i>.
	Door left open.	<ul style="list-style-type: none"> • Check to see if package is holding door open.
<i>Frost or ice crystals on frozen food (frost within package is normal)</i>	Door left open.	<ul style="list-style-type: none"> • Check to see if package is holding door open.
	Door openings too frequent or too long.	<ul style="list-style-type: none"> • This is normal.
<i>Ice cubes have odor/taste</i>	Food transmitting odor/taste to ice cubes.	<ul style="list-style-type: none"> • Wrap foods well.
	Interior of refrigerator needs cleaning.	<ul style="list-style-type: none"> • See <i>Care and cleaning</i>. • Keep an open box of baking soda in the refrigerator; replace every three months.
<i>Slow ice cube freezing</i>	Door left open.	<ul style="list-style-type: none"> • Check to see if package is holding door open.
	Freezer control not set cold enough.	<ul style="list-style-type: none"> • See <i>About the controls</i>.
<i>Refrigerator has odor</i>	Foods transmitting odor to refrigerator.	<ul style="list-style-type: none"> • Foods with strong odors should be tightly wrapped. • Keep an open box of baking soda in the refrigerator; replace every three months.
	Interior needs cleaning.	<ul style="list-style-type: none"> • See <i>Care and cleaning</i>.
<i>Moisture forms on outside of refrigerator</i>	Not unusual during periods of high humidity.	<ul style="list-style-type: none"> • Wipe surface dry and reset the refrigerator control one setting colder.
<i>Moisture collects inside (in humid weather, air carries moisture into refrigerator when doors are opened)</i>	Too frequent or too long door openings.	<ul style="list-style-type: none"> • This is normal.

Problem	Possible Causes	What To Do
Refrigerator compartment light does not work	No power at outlet.	<ul style="list-style-type: none"> • Replace fuse or reset the breaker.
	Light bulb burned out or loose.	<ul style="list-style-type: none"> • See <i>Replacing the light bulbs</i>.
Door does not close by itself	Leveling legs need adjusting.	<ul style="list-style-type: none"> • See <i>Installing the Refrigerator</i>.
Freezer door pops open when refrigerator door is closed	This is normal if, after popping open, the freezer door closed on its own.	<ul style="list-style-type: none"> • This indicates that there is a good seal on the freezer door. If the freezer door does not automatically close after popping open, then see the Problem: Door does not close by itself, above.
Hot air from bottom of refrigerator	Normal air flow cooling motor. In the refrigeration process, it is normal that heat be expelled in the area under the refrigerator. Some floor coverings will discolor at these normal and safe temperatures.	
Food freezing in the refrigerator	Food too close to the air vent at the back of the refrigerator.	<ul style="list-style-type: none"> • Move the food away from the air vent.
	Refrigerator control is set too cold.	<ul style="list-style-type: none"> • Move the refrigerator control to a warmer temperature setting one increment at a time.
Orange glow in the freezer	Defrost heater is on.	<ul style="list-style-type: none"> • This is normal.
Handle is loose / handle has a gap	Handle needs adjusting.	<ul style="list-style-type: none"> • See <i>Attach the fresh food door handle</i> and <i>Attach the Freezer door handle</i> sections for detailed instructions.
Basket sticks or jams when opening or closing	Basket is too full.	<ul style="list-style-type: none"> • To open: remove some of the products from the basket when opened as far as possible. Readjust the products left in the basket and try to open the basket again. • To close: readjust products in the basket or remove any product that is above the rim of the basket and close the basket.

Consumer Support	Troubleshooting Tips	Installation Instructions	Operating Instructions	Safety Instructions
-------------------------	-----------------------------	----------------------------------	-------------------------------	----------------------------

Notes.

Please place in envelope and mail to:
Veuillez mettre dans une enveloppe et envoyez à :

**OWNERSHIP REGISTRATION
P.O. BOX 1780
MISSISSAUGA, ONTARIO
L4Y 4G1**

(FOR CANADIAN CONSUMERS ONLY)



For Canadian
Customers



Pour les
Consommateurs
Canadiens

CUT ALONG THIS LINE AND RETURN CARD—THANKS

OWNERSHIP REGISTRATION CERTIFICATE – FICHE D'INSCRIPTION DU PROPRIÉTAIRE

Please register your product to enable us to contact you in the remote event a safety notice is issued for this product and to allow for efficient communication under the terms of your warranty, should the need arise.

Veillez enregistrer votre produit afin de nous permettre de communiquer avec vous si jamais un avis de sécurité concernant ce produit était émis et de communiquer facilement avec vous en vertu de votre garantie, si le besoin s'en fait sentir.

REGISTER ON-LINE: ENREGISTREMENT SUR INTERNET À:		www.geappliances.ca		MAIL TO: POSTER À:	P.O. BOX 1780, MISSISSAUGA ONTARIO, L4Y 4G1
<input type="checkbox"/> MR./M <input type="checkbox"/> MISS/MLE.	<input type="checkbox"/> MRS./MME. <input type="checkbox"/> MS.	FIRST NAME / PRÉNOM		LAST NAME / NOM	
STREET NO / N° RUE		STREET NAME / RUE			APT. NO / APP. / RR#
CITY / VILLE				PROVINCE	POSTAL CODE / POSTAL
AREA CODE / IND. RÉG.	TELEPHONE	E-MAIL			
DID YOU PURCHASE A SERVICE CONTRACT FOR THIS APPLIANCE? AVEZ-VOUS ACHETÉ UN CONTRAT DE SERVICE POUR CET APPAREIL ?				YES / OUI <input type="checkbox"/> NO / NON <input type="checkbox"/>	IF YES / SI OUI: EXPIRATION Y/A M D/J
NAME OF SELLING DEALER / NOM DU MARCHAND				MODEL / MODÈLE	
INSTALLATION DATE / DATE D'INSTALLATION Y/A M D/J		CORRESPONDENCE CORRESPONDANCE	<input type="checkbox"/> ENGLISH <input type="checkbox"/> FRANÇAIS	SERIAL / SÉRIE	
<input type="checkbox"/> I do not wish to receive any promotional offers regarding this product. <input type="checkbox"/> Je ne désire pas recevoir d'offres promotionnelles concernant ce produit.					

CUSTOMER WARRANTY

(for customers in Canada)

Your refrigerator is warranted to be free of defects in material and workmanship.

What is covered	How Long Warranted (From Date of Sale)	Parts Repair or Replace at Mabe's Option	Labour
Compressor	One (1) Year	One (1) Year	One (1) Year
Sealed System (including evaporator, condenser tubing and refrigerant)	One (1) Year	One (1) Year	One (1) Year
All Other Parts	One (1) Year	One (1) Year	One (1) Year

TERMS AND CONDITIONS:

This warranty applies only for single family domestic use in Canada when the Refrigerator has been properly installed according to the instructions supplied by Mabe and is connected to an adequate and proper utility service.

Damage due to abuse, accident, commercial use, and alteration or defacing of the serial plate cancels all obligations of this warranty.

Service during this warranty period must be performed by an Authorized Mabe Service Agent.

Neither Mabe nor the Dealer is liable for any claims or damages resulting from failure of the Refrigerator or from service delays beyond their reasonable control.

To obtain warranty service, purchaser must present the original Bill of Sale. Components repaired or replaced are warranted through the remainder of the original warranty period only.

This warranty is extended to the original purchaser and any succeeding owner for products purchased for home use within Canada. In home warranty service will be provided in areas where it is available and deemed reasonable by Mabe to provide.

This warranty is in addition to any statutory warranty.

WHAT IS NOT COVERED:

- Owner is responsible to pay for service calls related to product installation and/or teaching how to use the product.
- Damage to finish must be reported within 48 hours following the delivery of the appliance.
- Damage to finish after delivery.
- Improper installation—proper installation includes adequate air circulation to the refrigeration system, adequate electrical, plumbing and other connecting facilities.
- Replacement of house fuses or resetting of circuit breakers.
- Replacement of light bulbs.
- Damage to product caused by accident, fire, floods or acts of God.
- Loss of food due to spoilage.
- Proper use and care of product as listed in the owner's manual, proper setting of controls.
- Product not accessible to provide required service.
- WARRANTOR IS NOT RESPONSIBLE FOR CONSEQUENTIAL DAMAGES.

EXCLUSION OF IMPLIED WARRANTIES—Your sole and exclusive remedy is product repair as provided in this Limited Warranty. Any implied warranties, including the implied warranties of merchantability or fitness for a particular purpose, are limited to one year or the shortest period allowed by law.

IMPORTANT

Keep this warranty and your bill of sale as proof of original purchase and purchase date. Please have serial number and model number available when calling for service.

Mabe Service is available coast to coast. If further help is needed concerning this warranty, contact:

Manager, Consumer Relations
Mabe Canada Inc., Consumer Service
1 Factory Lane, Suite 310
Moncton, New Brunswick E1C 9M3
1.800.561.3344

*Staple your receipt here.
Proof of the original purchase
date is needed to obtain service
under the warranty.*

Consumer Support.



GE Appliances Website

moffatappliances.ca

Have a question or need assistance with your appliance? Try the GE Appliances Website any day of the year! For greater convenience and faster service, you can now download Owner's Manuals or order parts on-line.



Schedule Service

1.800.561.3344

Expert GE repair service is only one step away from your door. To schedule your service at your convenience 24 hours any day, call 1.800.561.3344 during normal business hours.



Real Life Design Studio

GE supports the Universal Design concept—products, services and environments that can be used by people of all ages, sizes and capabilities. We recognize the need to design for a wide range of physical and mental abilities and impairments. For details of GE's Universal Design applications, contact:

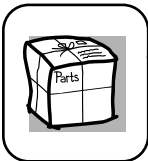
Manager, Consumer Relations,
Mabe Canada Inc.
Suite 310, 1 Factory Lane
Moncton, N.B. E1C 9M3



Extended Warranties

moffatappliances.ca

Purchase a GE extended warranty and learn about special discounts that are available while your warranty is still in effect. You can purchase it on-line anytime, or call 1.888.261.2133 during normal business hours.



Parts and Accessories

moffatappliances.ca

Individuals qualified to service their own appliances can have parts or accessories sent directly to their homes. Order by phone at 1.800.661.1616 during normal business hours.

Instructions contained in this manual cover procedures to be performed by any user. Other servicing generally should be referred to qualified service personnel. Caution must be exercised, since improper servicing may cause unsafe operation.

Alternatively, consult the yellow pages for the nearest Mabe service center.



Contact Us

moffatappliances.ca

If you are not satisfied with the service you receive from GE, contact us on our Website with all the details including your phone number, or write to:

Director, Consumer Relations,
Mabe Canada Inc.
Suite 310, 1 Factory Lane
Moncton, N.B. E1C 9M3



Register Your Appliance

moffatappliances.ca

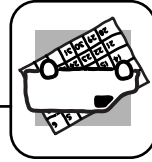
Register your new appliance on-line—at your convenience! Timely product registration will allow for enhanced communication and prompt service under the terms of your warranty, should the need arise. You may also mail in the pre-printed registration card included in the packing material.



Site Web appareils électroménagers GE

electromenagersmoffat.ca

Vous avez une question ou vous avez besoin d'aide pour votre appareil électroménager? Contactez-nous par Internet au site electromenagersmoffat.ca 24 heures par jour, tous les jours de l'année.

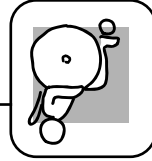


Service de réparations

1.800.561.3344

Service de réparations GE est tout près de vous.

Pour faire réparer votre électroménager GE, il suffit de nous téléphoner.



Studio de conception réaliste

Sur demande, GE peut fournir une brochure sur l'aménagement d'une cuisine pour les personnes à mobilité réduite. Écrivez: Directeur, Relations avec les consommateurs, Mabe Canada Inc.

Bureau 310, 1 Factory Lane
Moncton, N.B. E1C 9M3

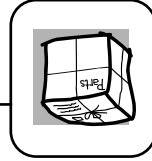


Prolongation de garantie

electromenagersmoffat.ca

Achetez un contrat d'entretien GE avant que votre garantie n'expire et bénéficiez d'un rabais substantiel. Ainsi le service après-vente GE sera toujours là après expiration de la garantie.

Visitez notre site Web ou appelez-nous au 1.888.261.2133.



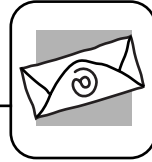
Pièces et accessoires

electromenagersmoffat.ca

Ceux qui désirent réparer eux-mêmes leurs électroménagers peuvent recevoir pièces et accessoires directement à la maison (cartes VISA, MasterCard et Discover acceptées).

Les directives stipulées dans le présent manuel peuvent être effectuées par n'importe quel utilisateur. Les autres réparations doivent généralement être effectuées par un technicien qualifié. Soyez prudent, car une réparation inadéquate peut affecter le fonctionnement sécuritaire de l'appareil.

Vous trouverez dans les pages jaunes de votre annuaire le numéro du Centre de service Mabe le plus proche. Autrement, appelez-nous au 1.800.661.1616.



Contactez-nous

electromenagersmoffat.ca

Si vous n'êtes pas satisfait du service après-vente dont vous avez bénéficié :
Premièrement, communiquez avec les gens qui ont réparé votre appareil.

Ensuite, si vous n'êtes toujours pas satisfait envoyez tous les détails-numéro de téléphone compris-au Directeur, Relations avec les consommateurs, Mabe Canada Inc.

Bureau 310, 1 Factory Lane
Moncton, N.B. E1C 9M3



Inscrivez votre appareil électroménager

electromenagersmoffat.ca

Inscrivez votre appareil électroménager en direct, aussitôt que possible. Cela améliorera nos communications et notre service après-vente. Vous pouvez également nous envoyer par la poste le formulaire d'inscription joint à votre documentation.

GARANTIE DU CLIENT

(pour la clientèle au Canada)

Votre réfrigérateur est garanti contre défaut de matériau et de fabrication.

Manin-d'oeuvre	Pièces Réparation ou remplacement au choix de Mabe	Durée de garantie (à partir de la date d'achat)	garantie couvre
Un (1) an	Un (1) an	Un (1) an	Compresseur
Un (1) an	Un (1) an	Un (1) an	Système scelle (y compris l'évaporateur, la tuyauterie du condenseur et le frigorigène)
Un (1) an	Un (1) an	Un (1) an	Toutes les autres pièces

TERMES ET CONDITIONS :

La présente garantie ne s'applique qu'à l'utilisation domestique par une seule famille au Canada, lorsque le réfrigérateur a été installé conformément aux instructions fournies par Mabe et est alimenté correctement en eau et en électricité.

Les dommages dus à une utilisation abusive, un accident,

une exploitation commerciale, ainsi que la modification,

l'enlèvement ou l'altération de la plaque signalétique annulent

la présente garantie.

L'entretien effectué dans le cadre de la présente garantie doit

être par un réparateur agréé Mabe.

Mabe et le marchand ne peuvent être tenus pour responsables

en cas de réclamations ou dommages résultant de toute

panne du réfrigérateur ou d'un entretien retardé pour des

raisons qui raisonnablement échappent à leur contrôle.

L'acheteur doit, pour obtenir un service dans le cadre

de la garantie, présenter la facture originale. Les éléments

réparés ou remplacés ne sont garantis que pendant le restant

de la période de garantie initiale.

Cette garantie est offerte à l'acheteur initial, ainsi qu'à tout

propriétaire subséquent d'un produit acheté en vue d'une

utilisation domestique au Canada. Le service à domicile en

vertu de la garantie sera fourni dans les régions où il est

disponible et où Mabe estime raisonnable de le fournir.

Cette garantie est en sus de toute garantie statutaire.

EXCLUSIONS DE LA GARANTIE :

• Le propriétaire est responsable de payer les réparations

occasionnées par l'installation de ce produit et/ou les visites

nécessaires pour lui apprendre à utiliser ce produit.

• Tout dommage au fini de l'appareil doit être signalé auprès

du magasin où a été effectuée l'achat dans les 48 heures

suivant la livraison de l'appareil.

• Dommages causés à la peinture ou à l'emballage après livraison.

• Installation incorrecte—l'installation correcte inclut la bonne

circulation d'air pour le système de réfrigération, des

possibilités de branchement aux circuits électriques,

d'alimentation en eau et autres.

• Remplacement des fusibles ou réarmement des disjoncteurs.

• Remplacement des ampoules électriques.

• Dommages subis par l'appareil à la suite d'un accident,

d'un incendie, d'inondations ou en cas de force majeure.

• Utilisation correcte et entretien adéquat de l'appareil selon

le manuel d'utilisation, réglage correct des commandes.

• Perte des aliments due à la détérioration.

• Le service s'il est impossible d'avoir accès au produit pour

ce faire.

• LE GARANT N'EST PAS RESPONSABLE DES DOMMAGES

INDIRECTS.

EXCLUSION DE GARANTIES IMPLIQUES—Votre seul et unique recours est la réparation du produit selon les dispositions de cette Garantie limitée. Toutes les garanties implicites, incluant les garanties de commercialité et d'adéquation à un usage spécifique, sont limitées à une année ou à la période la plus courte autorisée par la législation.

IMPORTANT

Gardez cette garantie et votre facture originale comme preuve d'achat et preuve de la date d'achat.

Mabe vous offre ses services dans tout le pays. Pour de plus amples renseignements sur la présente garantie, veuillez prendre contact avec :

Directeur, Relations avec les consommateurs, Mabe Canada Inc.,
Bureau 310, 1 Factory Lane, Moncton, N.B. E1C 9M3

1.800.561.3344

Agrapez votre reçu ici.
Vous devez fournir la preuve de
l'achat original pour obtenir des
services en vertu de la garantie.

<p>OWNERSHIP REGISTRATION CERTIFICATE - FICHE D'INSCRIPTION DU PROPRIÉTAIRE</p>	
<p>Please register your product to enable us to contact you in the remote event a safety notice is issued for this product and to allow for efficient communication under the terms of your warranty, should the need arise.</p>	
<p>Veillez enregistrer votre produit afin de nous permettre de communiquer avec vous si jamais un avis de sécurité concernant ce produit était émis et de communiquer facilement avec vous en vertu de votre garantie, si le besoin s'en fait sentir.</p>	
<p>REGISTER ON-LINE: www.geappliances.ca ENREGISTRÉMENT SUR INTERNET À: www.electromenagesge.ca</p>	
<p>MAL TO: P.O. BOX 1780, MISSISSAUGA ONTARIO, L4Y 4G1 POSTER À: www.electromenagesge.ca</p>	
<p>REGISTRATION ON-LINE: <input type="checkbox"/> MR./M <input type="checkbox"/> MRS./MME <input type="checkbox"/> MISS/MILLE <input type="checkbox"/> MS.</p>	<p>STREET NO./N° RUE STREET NAME/RUE APT. NO./APP./RR#</p>
<p>QTY/VILLE PROVINCE POSTAL CODE/POSTAL</p>	<p>AREA CODE/IND. RÉG. TELEPHONE E-MAIL</p>
<p>DID YOU PURCHASE A SERVICE CONTRACT FOR THIS APPLANCE? AVEZ-VOUS ACHÉTÉ UN CONTRAT DE SERVICE POUR CET APPAREIL ?</p> <p>YES/OUI <input type="checkbox"/> NO/NON <input type="checkbox"/></p> <p>IF YES/ SI OUI: EXPIRATION DATE/DATE D'INSTALLATION Y/A M D/J</p>	
<p>NAME OF SELLING DEALER / NOM DU MARCHAND MODEL / MODÈLE SERIAL / SÉRIE</p>	
<p>INSTALLATION DATE / DATE D'INSTALLATION Y/A M D/J CORRESPONDENCE <input type="checkbox"/> ENGLISH <input type="checkbox"/> FRANÇAIS CORRESPONDANCE SERIAL / SÉRIE</p>	
<p><input type="checkbox"/> I do not wish to receive any promotional offers regarding this product. <input type="checkbox"/> Je ne désire pas recevoir d'offres promotionnelles concernant ce produit.</p>	

CUT ALONG THIS LINE AND RETURN CARD—THANKS



Please place in envelope and mail to:
Veuillez mettre dans une enveloppe et envoyez à :

**OWNERSHIP REGISTRATION
P.O. BOX 1780
MISSISSAUGA, ONTARIO
L4Y 4G1**

(FOR CANADIAN CONSUMERS ONLY)

Soutien au consommateur	Conseils de dépannage	Installation	Fonctionnement	Mesures de sécurité
--------------------------------	------------------------------	---------------------	-----------------------	----------------------------

Problème	Causes possibles	Correctifs
La lumière de compartiment réfrigération ne s'allume pas	Pas d'électricité à la prise.	<ul style="list-style-type: none"> Remplacez le fusible ou remettez en marche le disjoncteur. Consultez Remplacement des ampoules électriques.
La porte ne ferme pas seul	Vous devez ajuster les pieds de nivellement.	<ul style="list-style-type: none"> Consultez Installation du réfrigérateur.
La porte du compartiment congélation s'ouvre quand ouverte, la porte du compartiment congélation se referme tout seul.	<ul style="list-style-type: none"> C'est normal si, après s'être ouverte, la porte du compartiment congélation se referme tout seul. 	<ul style="list-style-type: none"> Problème : La porte ne ferme pas seul, ci-dessus pas automatiquement après s'être ouverte, consultez la section bonne joint. Si la porte du compartiment congélation ne se referme pas automatiquement après s'être ouverte, consultez la section et pas dangereuses.
De l'air chaud souffle du bas du réfrigérateur	<p>C'est normal. Le moteur se refroidit à l'air. Dans le processus de réfrigération il est normal que de la chaleur soit émise en bas du réfrigérateur. Certains revêtements de sol sont sensibles et changent de couleur à ces températures normales et pas dangereuses.</p>	
Les aliments gèlent dans le compartiment réfrigération	<ul style="list-style-type: none"> Les aliments sont trop près de l'ouverture de circulation d'air à l'arrière du compartiment réfrigération. 	
Le réglage de votre réfrigérateur est trop froid.	<ul style="list-style-type: none"> Réglez votre réfrigérateur à une température plus chaude en sélectionnant une graduation à la fois. 	
Il y a une leur orangee dans le compartiment congélation	<p>Le chauffage du dégivrage fonctionne.</p>	
La poignée est lâche/ Il y a un espace vide pour la poignée	<p>Vous devez ajuster la poignée de porte.</p>	<ul style="list-style-type: none"> Consultez les sections Fixez la poignée du compartiment aliments frais et Fixez la poignée du compartiment congélation pour des instructions détaillées.
Le panier se coince lors de l'ouverture ou de la fermeture	<p>Le panier est trop remplis.</p>	<ul style="list-style-type: none"> Pour ouvrir : Enlevez certains produits du panier, lorsque celui-ci est ouvert aussi loin que possible. Repositionnez les produits laissés dans le panier et essayez de l'ouvrir à nouveau. Pour fermer : Repositionnez les produits dans le panier, et enlevez tout produit placé au-dessus du bord du panier, puis fermez-le.

Problème	Causes possibles	Correctifs
Le moteur fonctionne pendant de longues périodes ou démarre et s'arrête fréquemment. (Les réfrigérateurs modernes et leurs congélateurs étant plus grands, leur moteur doit fonctionner plus longtemps. Ils démarrent et s'arrêtent afin de maintenir des températures uniformes.)	Ceci est normal lorsque le réfrigérateur vient d'être branché. Ceci arrive souvent lors d'une grande quantité d'aliments a été mise au réfrigérateur.	<ul style="list-style-type: none"> • Attendez 24 heures pour que le réfrigérateur refroidisse complètement. • Ceci est normal.
Température trop élevée dans le congélateur ou le réfrigérateur	La commande de température du réfrigérateur ou du congélateur n'est pas réglée à une température assez basse.	<ul style="list-style-type: none"> • Consultez Les commandes.
Temps chaud ou ouverture fréquente des portes.	Temps chaud ou ouverture fréquente des portes.	<ul style="list-style-type: none"> • Abaissez la commande de température d'une position. • Consultez Les commandes.
Givre sur les aliments surgelés (il est normal que du givre se forme à l'intérieur du paquet)	Givre sur les aliments surgelés (il est normal que du givre se forme à l'intérieur du paquet)	<ul style="list-style-type: none"> • Vérifiez qu'il n'y a pas un paquet qui empêche la porte de fermer. • Vérifiez qu'il n'y a pas un paquet qui empêche la porte de fermer.
Odeur/saveur anormale des glaçons	Des aliments ont transmis leur odeur/gout aux glaçons.	<ul style="list-style-type: none"> • Emballez bien les aliments.
Formation lente des glaçons	Porte laissée ouverte.	<ul style="list-style-type: none"> • Vérifiez qu'il n'y a pas un paquet qui empêche la porte de fermer.
Odeur dans le réfrigérateur	Des aliments ont transmis leur odeur au réfrigérateur.	<ul style="list-style-type: none"> • Les aliments à odeur forte doivent être emballés hermétiquement. • Gardez une boîte ouverte de bicarbonate de soude dans le réfrigérateur.
De la condensation s'accumule à l'extérieur	De l'humidité se forme à l'intérieur (quand il fait humide, l'air transporté de l'humidité à l'intérieur du réfrigérateur quand vous ouvrez les portes)	<ul style="list-style-type: none"> • Ceci est normal.

Entendez-vous ce que j'entends ? Ces bruits sont normaux.

Les réfrigérateurs plus récents font des bruits différents de ceux des anciens. Les réfrigérateurs modernes présentent plus de fonctions et sont plus avancés sur le plan technologique.



- Vous pouvez entendre les ventilateurs tourner à hautes vitesses. Cela se produit lorsque le réfrigérateur vient d'être branché, lorsque les portes sont ouvertes fréquemment ou lors de l'ajout d'une grande quantité d'aliments dans les compartiments congélateur ou réfrigérateur. Les ventilateurs permettent de maintenir les bonnes températures.
- Les ventilateurs changent de vitesses pour assurer des économies d'énergie et un refroidissement optimal.

BRUITS D'EAU



- Le passage de l'agent frigorigère dans les serpents de refroidissement du congélateur peut être accompagné d'un gargouillement semblable à celui de l'eau en ébullition.
- L'eau tombant sur l'élément chauffant de dégivrage peut faire un bruit de grésillement, de claquement ou de bourdonnement pendant le cycle de dégivrage.
- Un bruit de suintement d'eau peut être entendu pendant le cycle de dégivrage lorsque la glace de l'évaporateur fond et tombe dans le bac de récupération.
- Fermer la porte peut causer un gargouillement en raison de l'équilibre de pression.



- Le nouveau compresseur à rendement élevé peut fonctionner plus longtemps et plus vite que votre ancien réfrigérateur et vous pouvez entendre un son modulé ou un ronflement aigu pendant son fonctionnement.
- Vous pouvez entendre un sifflement lorsque les portes se ferment. Cela vient de l'équilibre de pression dans le réfrigérateur.

CLICS et CLAQUEMENTS

- Vous pouvez entendre des craquements ou des claquements lorsque le réfrigérateur est branché pour la première fois. Cela se produit lorsque le réfrigérateur se refroidit à la bonne température.
- Le réglage du congélateur clique quand le compresseur se met en marche ou s'arrête.
- La minuterie de dégivrage se mettant en marche ou s'arrêtant pendant le cycle de dégivrage.
- L'expansion et la contraction des serpents de refroidissement pendant et après le dégivrage peuvent causer un craquement ou un claquement.

Avant d'appeler un réparateur...

Conseils de dépannage—Économisez du temps et de l'argent! Consultez d'abord les tableaux qui suivent et vous pourrez peut-être éviter de faire appel à un réparateur.



Problème	Causes possibles	Correctifs
----------	------------------	------------

Le réfrigérateur ne fonctionne pas	Le cycle de dégivrage est en cours.	<ul style="list-style-type: none"> Attendez environ 30 minutes permettre au cycle de dégivrage de se terminer.
------------------------------------	-------------------------------------	---

La commande est réglée sur position arrêt.	<ul style="list-style-type: none"> Régalez la commande de température sur un réglage de température.
--	---

Le réfrigérateur est débranché.	<ul style="list-style-type: none"> Enfoncez la fiche de l'appareil dans la prise murale.
---------------------------------	---

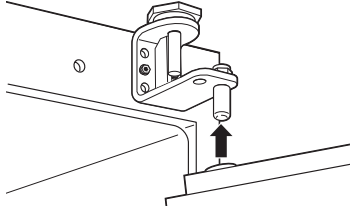
Le disjoncteur ou le fusible peut avoir sauté.	<ul style="list-style-type: none"> Remplacez le fusible ou réenclenchez le disjoncteur.
--	--

Vibration ou bruit métallique (une légère vibration est normale)	<ul style="list-style-type: none"> Les pieds de nivellement ont besoin d'être réglés. 	<ul style="list-style-type: none"> Consultez Mettez le réfrigérateur de niveau.
--	--	--

CHANGEMENT DU SENS D'OUVERTURE DES PORTES (suite)

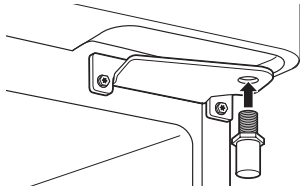
8 REMISE EN PLACE DE LA PORTE

A Abaissez la porte du compartiment congélation sur l'axe de charnière inférieure. Veillez à ce que la bague en plastique soit placée sur l'axe de charnière ou à l'intérieur du trou de l'axe de charnière situé au bas de la porte.



B Mettez la porte bien droite et alignez-la sur le support de charnière centrale.

C À l'aide d'une clé à douille 3/4 po, installez l'axe de charnière centrale. Tournez-la jusqu'à ce qu'elle traverse le support de charnière et pénètre dans la porte du compartiment congélation.



9 RE-SUSPENSION DE LA PORTE

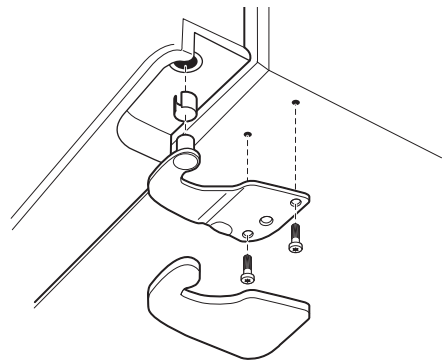
A Abaissez la porte du compartiment réfrigération sur l'axe de la charnière du centre. Assurez-vous que la bague en matière plastique de l'axe de charnière demeure sur l'axe de charnière du centre ou à l'intérieur du trou de l'axe de charnière de la porte, situé en bas de la porte.



9 RE-SUSPENSION DE LA PORTE (suite)

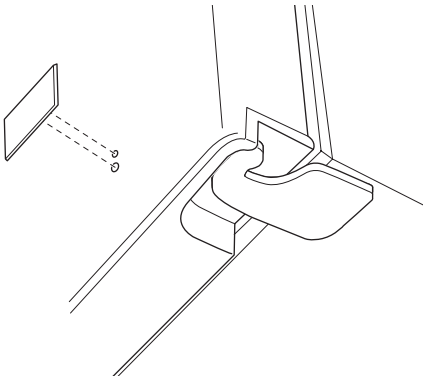
B Insérez la bague de porte dans le trou de charnière en haut de la porte du réfrigérateur, puis insérez l'axe de charnière supérieur. Assurez-vous que la porte soit alignée à l'armoire. Fixez la charnière en haut de l'armoire, sans trop serrer, avec les boulons.

C Assurez-vous que le joint de la porte soit aligné contre l'armoire et ne soit pas tordu. Soutenez la porte du côté de la poignée et assurez-vous que la porte soit droite et l'écartement entre les portes soit uniforme à l'avant. Tout en tenant la porte en place, serrez les boulons de la charnière supérieure. Remettez en place le couvercle de charnière.



10 FIXEZ LE LOGO

Enlevez le papier adhésif protecteur et alignez les taquets de l'arrière du logo avec les trous de la porte. Faites pression sur le logo pour vous assurer qu'il colle bien à la porte.



5 **INSTALLEZ LA CHARNIÈRE INFÉRIEURE ET LA PATTE DE NIVELLEMENT**

A À l'aide d'une clé à douille 1/2 po, installez l'axe et l'écran de charnière dans le trou opposé sur le support de charnière à patte de nivellement.

B À l'aide d'une clé à douille 5/16 po, installez le support de charnière à patte de nivellement sur le côté gauche du réfrigérateur. L'axe sera orienté vers l'extérieur du réfrigérateur.

C À l'aide d'une clé à douille 5/16 po, installez le support de patte de nivellement sur le côté droit du réfrigérateur.

7 **TRANSFERT À DROITE DE LA POIGNÉE DE LA PORTE DU COMPARTIMENT RÉFRIGÉRATION**

Consultez les sections Enlevez la poignée du compartiment aliments frais et Fixez la poignée du compartiment aliments frais pour des instructions.

6 **TRANSFERT DES ARRÊTS DE LA PORTE DU COMPARTIMENT RÉFRIGÉRATION ET DU COMPARTIMENT CONGÉLATION**

A Enlevez l'arrêt de la porte situé en bas à droite de la porte du compartiment réfrigération en enlevant les deux vis.

B Faites passer la bague du trou de charnière en matière plastique dans le trou opposé.

C Installez l'arrêt de la porte à gauche, en vous assurant de bien aligner les trous de vis de l'arrêt de la porte aux trous du bas de la porte.

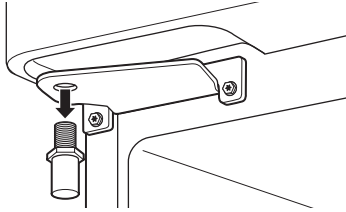
Bas de la porte (côté droit)

Bas de la porte (côté gauche)

CHANGEMENT DU SENS D'OUVERTURE DES PORTES (suite)

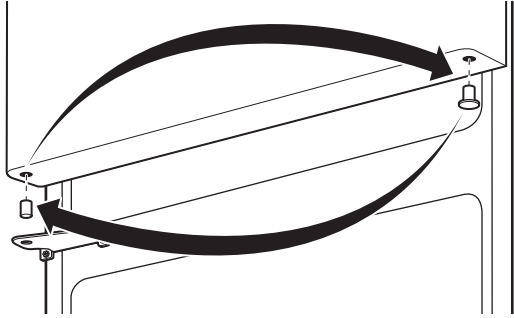
2 ENLEVEZ LA PORTE DU CONGÉLATEUR

A Maintenez la porte fermée à l'aide de ruban-cache. Enlevez l'axe du support de charnière. Il sera réutilisé avec le nouveau support de charnière de l'autre côté.



C Enlevez le ruban et éloignez la porte de l'armoire. Soulevez la porte pour la dégager de l'axe de charnière inférieure.

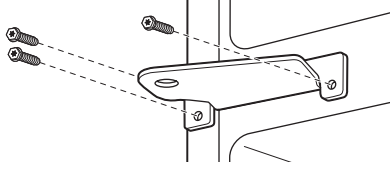
D Retirez le bouchon du côté gauche de la porte. Retirez la bague de porte du côté droit. Installez la bague dans le trou à gauche et le bouchon dans le trou de droite.



E Déposez la porte sur une surface qui ne risque pas de l'égratigner, face intérieure vers le haut.

3 FAITES PASSER LE SUPPORT DE LA CHARNIÈRE CENTRALE

A À l'aide d'une clé à douille de 5/16 po, enlevez les boulons qui fixent le support de la charnière centrale à l'armoire.



3 FAITES PASSER LE SUPPORT DE LA CHARNIÈRE CENTRALE (suite)

B Faites passer le bouton et le couvercle des trous de charnière du côté gauche au côté droit.

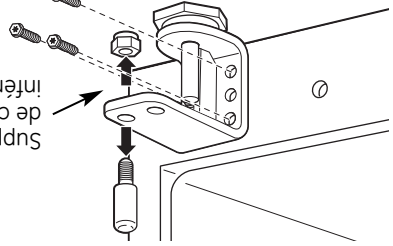


C Installez le nouveau support de charnière central (inclus dans la trousse) sur le côté gauche.

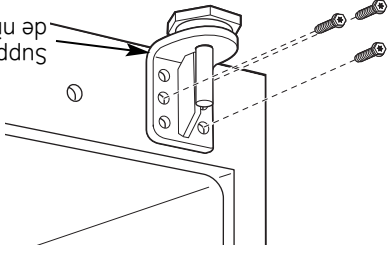


4 ENLEVEZ LA CHARNIÈRE INFÉRIEURE ET LA PATTE DE NIVELLEMENT

A À l'aide d'une clé à douille 1/2 po, retirez l'érou et l'axe de charnière du support de charnière à patte de nivellement. À l'aide d'une clé à douille 5/16 po, retirez les vis du support de charnière inférieur. Elles seront réinstallées de l'autre côté.



B À l'aide d'une clé à douille 5/16 po, retirez les vis du support de patte de nivellement de l'autre côté. Elles seront réinstallées sur le côté opposé.

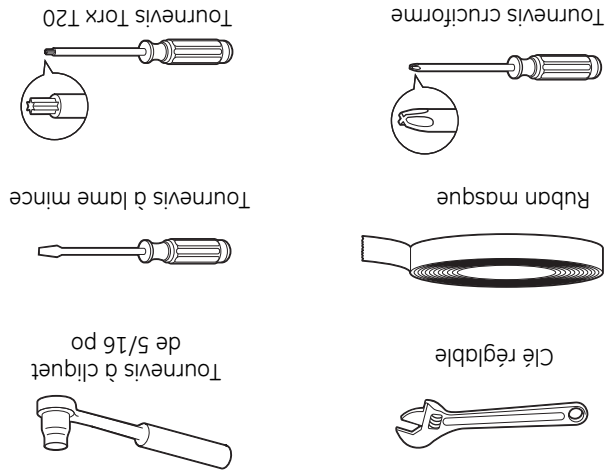


CHANGEMENT DU SENS D'OUVERTURE DES PORTES

NOTES IMPORTANTES

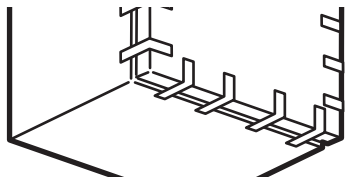
- Pour changer le sens d'ouverture des portes :
- Lisez les instructions jusqu'à la fin avant de commencer.
 - Les pièces sont comprises dans l'ensemble de charnière de porte.
 - Manipulez les pièces avec soin pour éviter de rayer la peinture.
 - Posez les vis près des pièces qu'elles fixent, pour éviter de les utiliser au mauvais endroit.
 - Prévoyez une surface de travail qui ne raye pas les portes.
- IMPORTANT :** Une fois que vous aurez commencé, ne bougez plus l'armoire avant d'avoir fini de changer le sens d'ouverture des portes.
- Ces instructions sont données pour faire passer à gauche les charnières situées du côté droit. Si vous voulez remettre les charnières à droite, suivez ces instructions en remplaçant toutes les références au côté gauche par des références au côté droit.
- Une fois que vous aurez changé le sens d'ouverture de la porte, assurez-vous que le logo soit bien aligné et bien fixé à la porte en enlevant le papier adhésif au verso.
- NOTE :** Un logo de rechange est compris dans l'ensemble de charnière.
- Débranchez le réfrigérateur de sa prise électrique.**
Videz toutes les clayettes de porte, y compris le compartiment laitier.

OUTILS NÉCESSAIRES



1 ENLÈVEMENT DE LA PORTE DU COMPARTIMENT RÉFRIGÉRATION

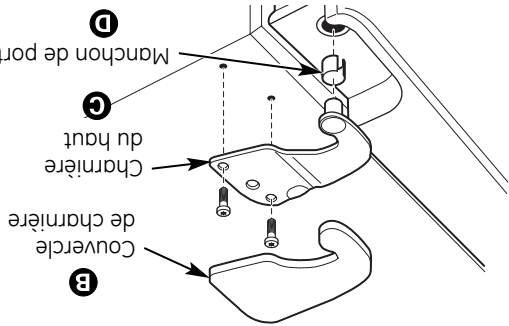
A Fermez la porte et attachez-la avec le ruban masque.



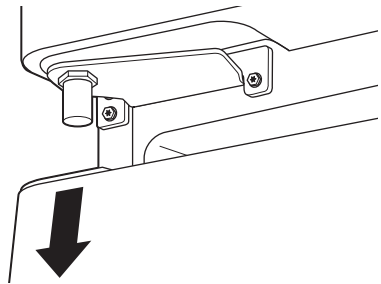
B Enlevez le couvercle de la charnière du haut de la porte du compartiment réfrigération en faisant doucement lever vers le haut avec un couteau de vitrier, si nécessaire.

C À l'aide d'un tournevis à cliquet de 5/16 po, enlevez les boulons qui fixent à l'armoire la charnière du haut. Ensuite, soulevez la charnière tout droit vers le haut pour libérer l'axe de la charnière du support situé en haut de la porte.

D Sortez doucement le manchon de porte de son emplacement. Il sera réutilisé pour installer la porte de l'autre côté.



E Enlevez le ruban masque et écartez la porte de l'armoire en la soulevant. Enlevez la porte de l'axe de la charnière du centre. Assurez-vous que la bague de l'axe de charnière de plastique demeure sur l'axe de charnière ou à l'intérieur du trou de l'axe de charnière de la porte, situé en bas de la porte.



F Posez la porte sur une surface qui ne raye pas, avec l'intérieur vers le haut.

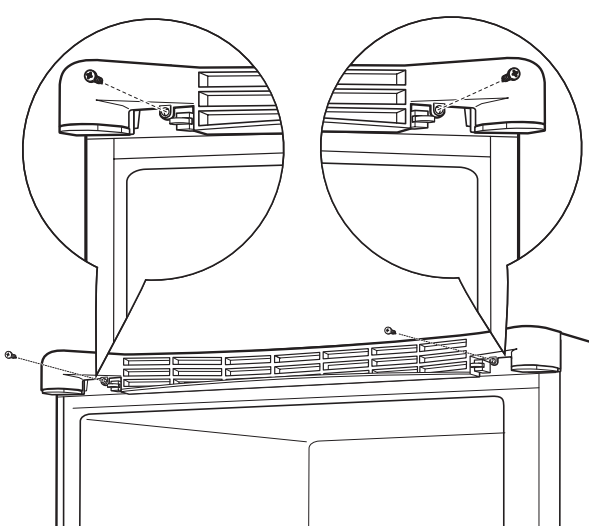
INSTALLATION DU RÉFRIGÉRATEUR (suite)

8 METTEZ LE RÉFRIGÉRATEUR DE NIVEAU

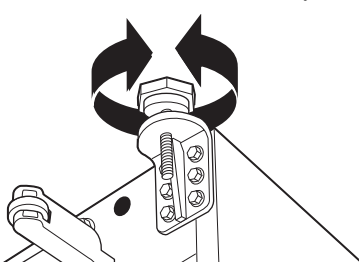
Les pieds de nivellement jouent deux rôles :

- 1) Elles peuvent être réglées de manière à permettre à l'appareil de reposer solidement sur le sol.
- 2) Les pieds de nivellement servent de frein de stabilisation, pour tenir le réfrigérateur bien en place pendant son fonctionnement et son nettoyage. Les pieds d'inclinaison empêchent également le réfrigérateur de basculer.

A Enlevez la grille en dévissant les deux vis à tête Phillips.



B Tournez les pieds dans le sens des aiguilles d'une montre pour faire monter le réfrigérateur, dans le sens opposé à celui des aiguilles d'une montre pour le faire descendre.

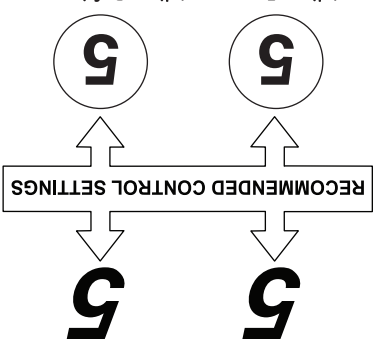


PRÉCAUTION : Pour éviter tous risques de blessures corporelles ou de dommages matériels, les pieds de nivellement doit bien reposer sur le plancher.

C Remettez la grille en remettant les deux vis à tête Phillips.

9 RÉGLEZ LES COMMANDES

Réglez les commandes selon les recommandations.



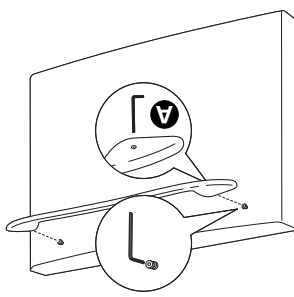
Adjust Freezer Temperature **5**

Adjust Refrigerator Temperature **5**

5 ENLEVEZ LA POIGNÉE DE LA PORTE
DU COMPARTIMENT CONGÉLATION
 Poignées en acier inoxydable et en matière plastique :

A Desserrez les vis de l'ensemble situées en bas de la poignée à l'aide de la clé Allen de 1/8 po et enlevez la poignée.

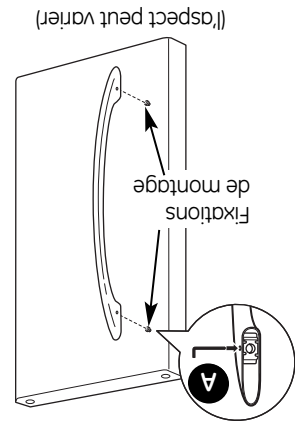
NOTE : Si vous devez resserrer ou enlever les fixations de montage de la poignée, utilisez la clé Allen de 3/16 po.



6 FIXEZ LA POIGNÉE DE LA PORTE
DU COMPARTIMENT ALIMENTS FRAIS
 Poignée en acier inoxydable :

A Fixez la poignée aux fixations de montage de la poignée et resserrer les vis de l'ensemble à l'aide d'une clé Allen de 3/32 po.

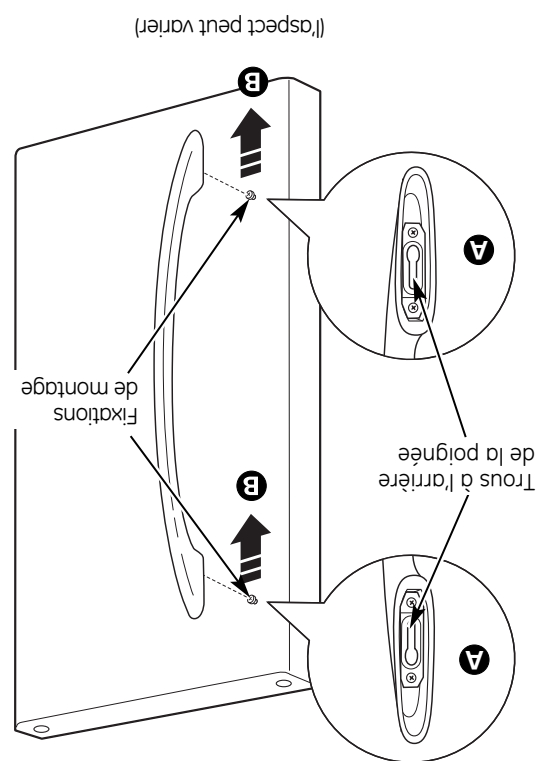
NOTE : Pour les modèles à deux portes, suivez la même procédure pour la porte opposée.



6 FIXEZ LA POIGNÉE DE LA PORTE
DU COMPARTIMENT ALIMENTS FRAIS
 (suite)
 Poignée en matière plastique :

A Fixez la poignée aux fixations de montage de la poignée en alignant les fentes aux fixations de montage de poignée.

B Faites glisser la poignée vers le bas jusqu'à ce qu'elle soit bien fixée en position.



7 FIXEZ LA POIGNÉE DE LA PORTE
DU COMPARTIMENT CONGÉLATION
 Poignées en acier inoxydable et en matière plastique :

A Fixez bien la poignée aux fixations de montage de la poignée et resserrer les vis de l'ensemble situées en bas de la poignée à l'aide d'une clé Allen de 1/8 po.



INSTALLATION DU RÉFRIGÉRATEUR

EMPLACEMENT DU RÉFRIGÉRATEUR

- N'installez jamais votre réfrigérateur dans un emplacement où la température ambiante sera inférieure à 16° C (60° F). Il ne se mettra pas en marche suffisamment souvent pour maintenir des températures convenables.
- N'installez jamais votre réfrigérateur dans un emplacement où la température ambiante sera supérieure à 37° C (100° F). Il ne fonctionnera pas bien.
- Installez votre réfrigérateur sur un plancher suffisamment solide pour le porter lorsqu'il est plein.

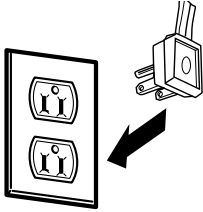
DÉGAGEMENTS

Prévoyez les dégagements suivants pour faciliter l'installation, la bonne circulation d'air et les raccordements de plomberie, et d'électricité :

Modèles de profondeur normale	Côtes	Dessus	Arrière
	3 mm (1/8 po)	25 mm (1 po)	25 mm (1 po)

1 BRANCHEZ LE CORDON DU RÉFRIGÉRATEUR DANS LA PRISE

Sur modèles avec machine à glaçons : avant de brancher le réfrigérateur, assurez-vous que l'interrupteur de la machine à glaçons est à la position **O (arrêt)**. Lisez l'étiquette concernant la mise à la terre qui est attachée au cordon d'alimentation.



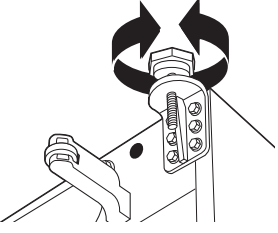
2 METTEZ LE RÉFRIGÉRATEUR EN PLACE

Transportez le réfrigérateur jusqu'à son emplacement final.

3 METTEZ DE NIVEAU LE RÉFRIGÉRATEUR

Les **pattes réglables** des coins avant du réfrigérateur doivent être ajustées pour que le réfrigérateur repose solidement sur le sol et pour que l'avant soit suffisamment levé afin que la porte se ferme facilement, lors de son ouverture à moitié chemin.

Pour ajuster les pattes réglables, tournez-les dans le sens horaire pour lever le réfrigérateur et dans le sens antihoraire pour le baisser.



10

4 ENLEVEZ LA POIGNÉE DE PORTE DU COMPARTIMENT POUR ALIMENTS FRAIS

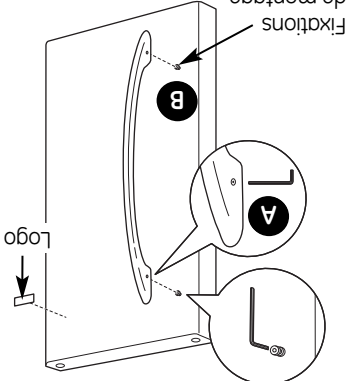
(Pour placer dans l'emplacement de l'installation ou changer le sens d'ouverture des portes – sur certains modèles)

Poignée en acier inoxydable (sur certains modèles) : ENLÈVEMENT

DE LA POIGNÉE DE PORTE :
Desserrez les vis de l'ensemble à l'aide d'une clé Allen de 3/32 po. et enlevez la poignée.

NOTE : Pour les modèles à deux portes, suivez la même procédure pour la porte opposée.

(l'aspect peut varier)



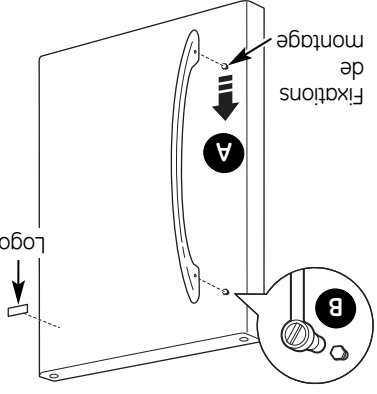
Poignée en matière plastique (sur certains modèles) : ENLÈVEMENT DE LA POIGNÉE DE PORTE :

Appuyez sur le taquet situé à l'intérieur de la poignée et faites glisser la poignée vers le haut pour la faire sortir de la fixation de montage.

CHANGEMENT DU SENS D'OUVERTURE DE LA POIGNÉE DE LA PORTE :

Enlevez les fixations de montage de la poignée à l'aide d'une clé Allen de 3/16 po et faites passer les fixations de montage de la poignée au côté droit. Enlevez le logo.

(l'aspect peut varier)



Enlevez et faites passer de l'autre côté le bouchon du côté droit au côté gauche de la porte du compartiment aliments frais. **NOTE :** Utilisez une lame en matière plastique pour éviter d'endommager la porte. Enlevez toute colle de la porte à l'aide d'un détergent doux. Enlevez le papier adhésif de l'arrière du logo avant de fixer le logo soigneusement à la porte.

Instructions d'installation

Réfrigérateur Modèles 20 et 22

Questions? Appelez le 1.800.561.3344 ou Visitez notre site Web à l'adresse : electromenagersmoffat.ca

AVANT DE COMMENCER

IMPORTANT – Conservez ces instructions pour l'inspecteur local.

IMPORTANT – Respectez toutes les ordonnances et les codes locaux.

• **Note à l'installateur** – Assurez-vous de laisser ces instructions au consommateur.

• **Note au consommateur** – Conservez ces instructions pour référence future.

• **Niveau de compétence** – L'installation de cet appareil nécessite des compétences mécaniques de base.

• **Temps d'installation** – Installation du réfrigérateur 20 minutes

Installation de la conduite d'eau 30 minutes

• L'installateur est responsable de bien installer ce réfrigérateur.

• Toute panne du produit due à une mauvaise installation n'est pas couverte par la garantie.

IMPORTANT – Conservez ces instructions pour l'inspecteur local.

• **IMPORTANT** – Respectez toutes les ordonnances et les codes locaux.

• **Note à l'installateur** – Assurez-vous de laisser ces instructions au consommateur.

• **Note au consommateur** – Conservez ces instructions pour référence future.

• **Niveau de compétence** – L'installation de cet appareil nécessite des compétences mécaniques de base.

• **Temps d'installation** – Installation du réfrigérateur 20 minutes

Installation de la conduite d'eau 30 minutes

• L'installateur est responsable de bien installer ce réfrigérateur.

• Toute panne du produit due à une mauvaise installation n'est pas couverte par la garantie.

PRÉPARATION

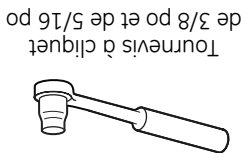
DÉPLACEMENT DU RÉFRIGÉRATEUR À L'INTÉRIEUR DE LA MAISON

Si le réfrigérateur ne peut pas passer par la porte, vous pouvez enlever la porte du compartiment réfrigération et le tiroir du compartiment réfrigération, consultez l'étape 1 de la section *Changement de sens d'ouverture de la porte*.

• Pour enlever la porte du compartiment réfrigération, consultez l'étape 1 de la section *Changement de sens d'ouverture de la porte*.

• Pour enlever le tiroir du compartiment réfrigération, consultez la section *Enlèvement du tiroir du compartiment réfrigération*.

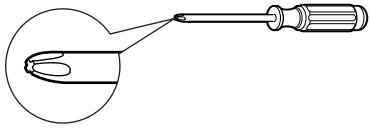
BESOIN OUTILS DONT VOUS POUVEZ AVOIR



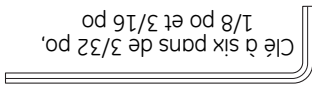
Tournevis à cliquet de 3/8 po et de 5/16 po



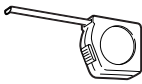
Clé réglable



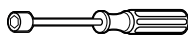
Tournevis cruxiforme



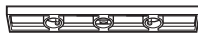
Clé à six pans de 3/32 po, 1/8 po et 3/16 po



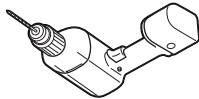
Mètre



Tourne-écrou de 1/4 po



Niveau



Percuse à main ou électrique et mèche de 1/8 po



Crayon



Cisaille

Entretien et nettoyage de votre réfrigérateur.

Départ en vacances

Lorsque vous vous absentez pendant une période prolongée, videz et débranchez le réfrigérateur. Nettoyez l'intérieur avec une solution d'eau et de bicarbonate de soude, à raison 15 ml (1/3 cuillère à soupe) de bicarbonate par litre (1 pinte) d'eau. Laissez les portes ouvertes.

Si la température risque de descendre sous le point de congélation, demandez à un réparateur de vidanger la conduite d'eau afin d'éviter les dégâts sérieux causés par les inondations.

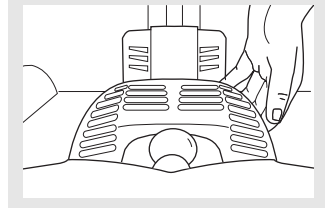
Déménagement

Immobilisez tous les éléments amovibles, tels que les clayettes et les bacs, à l'aide de ruban gommé pour éviter de les endommager.

Si vous utilisez un chariot pour déménager le réfrigérateur, ne laissez jamais le devant ou le derrière du réfrigérateur reposer contre le chariot. Cela pourrait endommager le réfrigérateur. Ne transportez le réfrigérateur que par les côtés.

Assurez-vous que le réfrigérateur demeure debout pendant son déménagement.

Remplacement des ampoules.



⚠ MISE EN GARDE :

Les ampoules électriques peuvent être brillantes.

1 Débranchez le réfrigérateur.

2 Pour enlever le pare-lumière, saisissez l'arrière de le pare-lumière et tirez-le pour le libérer de ses taquets à l'arrière.

3 Faites tourner le pare-lumière vers le bas, puis tirez pour libérer les taquets à l'avant de le pare-lumière.

Lumières du compartiment réfrigération

4 Après avoir remplacé l'ampoule par une ampoule d'appareil électroménager de même voltage ou d'un voltage plus bas, remettez en place le pare-lumière.

5 Rebranchez le réfrigérateur.

NOTE : Vous pouvez commander des ampoules pour appareils électroménagers en téléphonant au service de pièces et accessoires GE, au 1.800.661.1616.

Lorsque vous réglez les commandes sur position **arrêt**, l'alimentation électrique de l'ampoule n'est pas coupée.

Mesures de sécurité

N'essayez jamais votre réfrigérateur avec un torchon sale ou une serviette mouillée. Cela peut laisser un résidu qui risque d'endommager la peinture. N'utilisez jamais de tampon à récurer, de nettoyeur en poudre, d'eau de javel ou de produit nettoyant contenant un agent de blanchiment, car ces produits peuvent rayer et endommager la peinture.

Fonctionnement

Après avoir nettoyé les joints de porte, appliquez une fine couche de vaseline sur les joints du côté des charnières pour empêcher les joints de coller et de se déformer.

Évitez de nettoyer les clayettes froides en verre à l'eau chaude, parce qu'elles risquent de se casser à cause de la grande différence de températures. Manipulez avec soins le verre. Vous pouvez briser en éclats le verre trempé en le heurtant.

Ne lavez aucune pièce en matière plastique de votre réfrigérateur dans votre machine à laver la vaisselle.

Installation

Nettoyage de l'extérieur

Les poignées de porte et les garnitures. Nettoyez avec un linge trempé dans de l'eau savonneuse. Séchez avec un linge doux. Appliquez pas de cire sur les poignées et les garnitures de porte.

Conservez l'extérieur propre. Essayez avec un linge propre légèrement humecté de cire à appareil électroménager ou de détergent liquide à vaisselle doux. Séchez et polissez avec un linge doux, propre.

Nettoyage de l'intérieur

Pour aider à empêcher les odeurs, laissez une boîte ouverte de bicarbonate de soude dans les compartiments réfrigération et congélation.

Débranchez votre réfrigérateur avant de le nettoyer. Si ce n'est pas pratique, enlevez toute humidité au moyen d'une éponge ou d'un chiffon pour nettoyer autour des ordinateurs, des lumières ou des réglages. Utilisez une cire pour appareils électroménagers sur la surface intérieure entre les portes.

Utilisez une solution d'eau chaude et de bicarbonate de soude (15 ml [soit une cuillère à soupe environ] de bicarbonate de soude dans 1 litre [soit une pinte] d'eau). Cette solution nettoie tout en neutralisant les odeurs. Rincez et séchez en essuyant.

Derrière le réfrigérateur

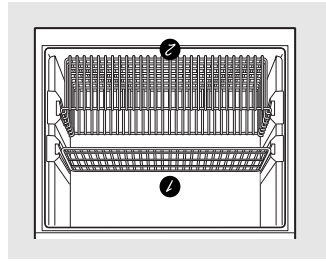
Prenez un soin particulier lorsque vous éloignez le réfrigérateur du mur. Tous les types de revêtements de sol peuvent être endommagés, particulièrement ceux qui sont coussinés ou dont la surface est gaufree. Soulevez les pieds d'inclinaison situés en bas à l'avant de votre réfrigérateur. Tirez le réfrigérateur en ligne droite et, lorsque vous le remettez en place, poussez-le vers le mur en ligne droite. Les déplacements latéraux du réfrigérateur

pourraient endommager le revêtement de sol ou le réfrigérateur. Abaissez les pieds d'inclinaison jusqu'à ce qu'ils touchent le sol.

Lorsque vous remettez le réfrigérateur en place en le poussant, veillez à ne pas le faire rouler sur le cordon d'alimentation ou sur la conduite d'eau de la machine à glaçons (sur certains modèles).

Soutien au consommateur

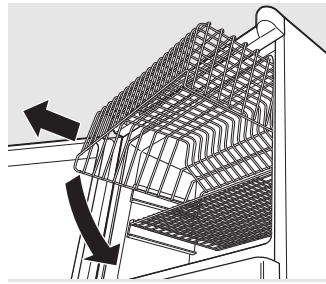
Compartment congélation.



- 1 Une clayette fixe pleine largeur
- 2 Un panier coulissant pleine largeur

Clayettes et paniers du compartiment congélation

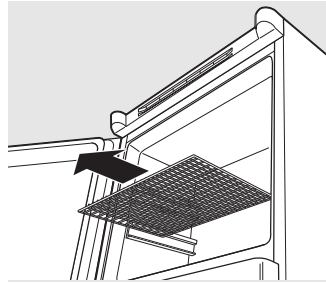
NOTE : Ne remplissez pas les paniers au-delà du bord du panier. Cela pourrait provoquer un bourrage ou coincer le panier, lors de l'ouverture ou de la fermeture.



Enlèvement du panier pleine largeur :

- 1 Tirez le panier à sa pleine extension.
- 2 Soulevez l'avant du panier puis tirez en ligne droite pour le retirer.

Pour remettre le panier coulissant pleine largeur en place :
 Insérez le panier dans les rails inférieurs puis poussez-le en place.

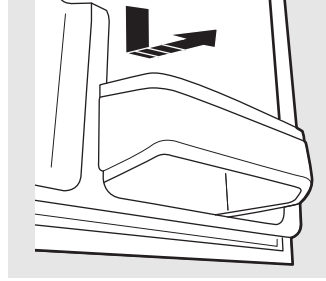


Enlèvement de la clayette fixe

La clayette pleine largeur n'est pas conçue pour coulisser.

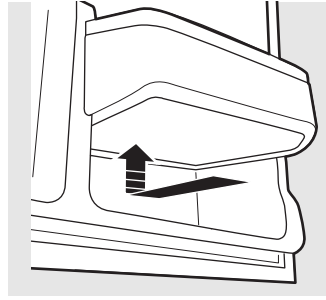
Enlèvement pour nettoyage :

Tenez la clayette par le devant puis tirez-la fermement vers l'extérieur.
Pour remettre la clayette pleine largeur en place :
 Insérez la clayette dans les rails supérieurs puis poussez-la en place.



Enlèvement

Enlèvement : Soulevez la clayette en ligne droite, puis tirez pour la dégager.
Remise en place : Engagez la clayette dans les soutiens moulés de la porte, puis poussez vers le bas. Elle se fixera en place.



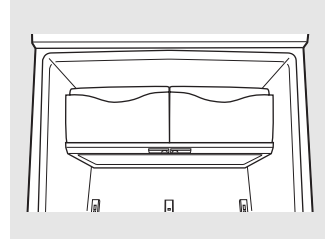
Remise en place

Clayette non-réglable de porte du compartiment congélation

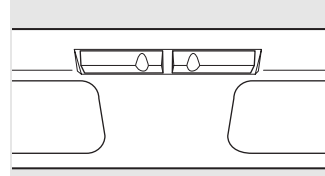
Bacs à rangement et bacs à légumes.

Bacs à fruits et légumes

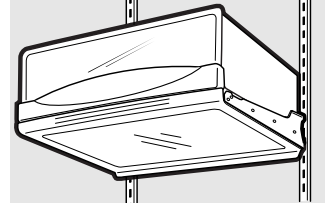
Vous devez bien essuyer toute eau en excès qui peut s'accumuler au fond des bacs ou en dessous des bacs.



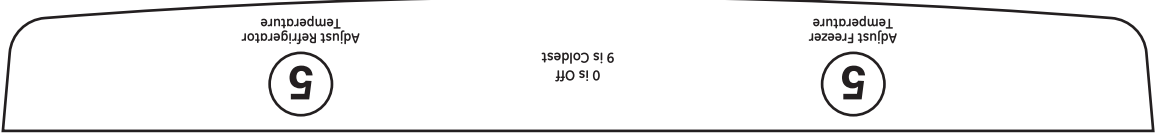
Bac à légume à humidité réglable (sur certains modèles)
 Faites glisser le réglage en position **HIGH** (**élevé**) pour obtenir l'humidité maximum qui est recommandée pour la plupart des légumes.
 Faites glisser le réglage en position **LOW** (**basse**) pour obtenir l'humidité minimum qui est recommandée pour la plupart des fruits.

**Bac à casse-croûte** (sur certains modèles)

Vous pouvez mettre le bac à casse-croûte à l'endroit qui convient le mieux aux besoins de votre famille.
Pour enlever, faites glisser le bac vers l'extérieur jusqu'à sa position **d'arrêt**, soulevez le bac pour lui faire dépasser sa position **d'arrêt** et enlevez-le.



Les commandes avec réglages de température.



Initialement, réglez le réglage de votre compartiment réfrigération en position **5** et celui de votre compartiment congélation en position **5**. Attendez 24 heures que la température se stabilise. Plusieurs ajustements peuvent être requis. Ajustez le réglage une unité à la fois, et attendez 24 heures après chaque ajustement que le réfrigérateur atteigne la température que vous avez réglée. Régler le réglage du compartiment réfrigération en position **0** arrête le refroidissement de votre compartiment réfrigération et congélation, mais n'affecte pas l'alimentation électrique du réfrigérateur.

Les clayettes et les balconnets.

Toutes les caractéristiques ne sont pas disponibles sur tous les modèles.

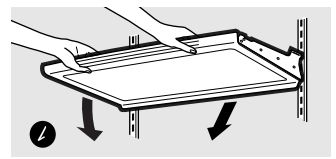
Mise en place des clayettes

Les clayettes du réfrigérateur sont réglables.

Compartiment réfrigération

Enlèvement :

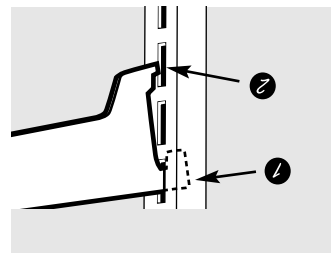
- 1 Enlevez tous les articles de la clayette.
- 2 Soulevez la clayette à l'avant.
- 3 Soulevez la clayette à l'arrière et faites-la sortir.



Certains modèles ont des clayettes en fil de fer que vous pouvez régler de la même manière.

Remise en place :

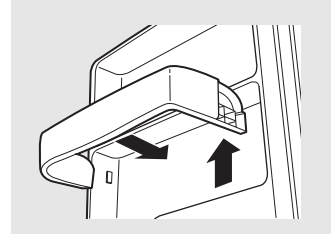
- 1 En faisant basculer la clayette vers le haut, insérez le crochet supérieur à l'arrière de la clayette dans une fente du rail.
- 2 Abaissez le devant de la clayette jusqu'à ce que le bas de la clayette se fixe en place.



Clayettes non-réglables de porte

Enlèvement : Soulevez la clayette droit vers le haut, puis enlevez en soulevant.

Remise en place : Engagez la clayette dans les soutiens moulés de la porte et poussez vers le bas. Il se fixera en place.



▲ AVERTISSEMENT!

RACCORDEMENT ÉLECTRIQUE



Ne coupez ni retirez en aucun cas la troisième broche (mise à la terre) de la fiche du cordon d'alimentation. Pour votre sécurité, cet appareil doit être correctement mis à la terre.

Le cordon d'alimentation de cet appareil est muni d'une fiche à 3 broches (mise à la terre) qui se branche dans une prise murale ordinaire à 3 alvéoles (mise à la terre) pour réduire au minimum les risques de chocs électriques.

Faites examiner la prise de courant et le circuit par un électricien qualifié pour vous assurer que la prise est correctement mise à la terre.

Si la prise murale est du type standard à 2 alvéoles, il vous incombe de la faire remplacer par une prise à 3 alvéoles correctement mise à la terre.

Le réfrigérateur doit toujours être branché dans sa propre prise de courant, dont la tension nominale est identique à celle indiquée sur la plaque signalétique.

Cette précaution est recommandée pour garantir un rendement optimum et éviter une surcharge des circuits électriques de la résidence, ce qui pourrait créer un risque d'incendie par surchauffe des fils.

Ne débranchez jamais le réfrigérateur en tirant sur le cordon d'alimentation. Saisissez fermement la fiche du cordon et tirez droit pour la retirer de la prise.

Réparez ou remplacez immédiatement tout cordon effiloché ou endommagé. N'utilisez pas un cordon fendillé ou présentant des signes d'usure.

Lorsque vous déplacez votre réfrigérateur du mur, faites attention de ne pas le faire rouler sur le cordon d'alimentation afin de ne pas l'endommager.

FICHE D'ADAPTATION



Fiches d'adaptation non permises au Canada.

VEUILLEZ LIRE ET SUIVRE ATTENTIVEMENT CES MESURES DE SÉCURITÉ.

CONSERVEZ CES DIRECTIVES



MESURES DE SÉCURITÉ IMPORTANTES. LISEZ D'ABORD TOUTES LES DIRECTIVES.

▲ AVERTISSEMENT!

N'utilisez cet électroménager que pour l'usage auquel il est destiné, comme expliqué dans le présent manuel.

MESURES DE SÉCURITÉ

Lorsque vous utilisez un appareil électrique, observez toujours les mesures de sécurité de base, y compris les suivantes:



- Installez le réfrigérateur conformément aux directives d'installation avant de l'utiliser.

- Ne laissez pas les enfants grimper, s'asseoir, se tenir debout ni se pendre aux clayettes du réfrigérateur. Ils pourraient endommager le réfrigérateur et se blesser gravement.

- Ne touchez pas les surfaces froides du congélateur si vous avez les mains humides ou mouillées : la peau risque d'adhérer à ces surfaces très froides.

- N'entreposez et n'utilisez pas d'essence ou autres vapeurs et liquides inflammables à proximité de cet appareil ou de tout autre appareil électroménager.

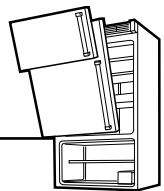
- Si votre réfrigérateur est doté d'une machine à glaçons automatique évitez le contact avec les pièces mobiles du mécanisme éjecteur, ou avec l'élément chauffant situé à la partie inférieure de la machine à glaçons. Ne posez pas les doigts ou les mains sur le mécanisme de la machine à glaçons pendant que le réfrigérateur est branché.

- Éloignez les doigts des parties du réfrigérateur où l'on peut facilement se pincer : les espaces entre les portes et entre les portes et les placards sont toujours étroits. Soyez prudent lorsque vous fermez les portes de l'appareil en présence des enfants.
- Débranchez votre réfrigérateur avant de le nettoyer ou de le réparer.

REMARQUE : Nous vous recommandons vivement de confier toute réparation à un technicien qualifié.

- Lorsque vous réglez la commande sur position **arrêt**, l'alimentation électrique de l'ampoule n'est pas coupée.
- Ne recongèlez pas les aliments surgelés qui ont complètement dégelé.

▲ DANGER! RISQUES POUR LES ENFANTS COMMENT VOUS DÉBARRASSER CONVENABLEMENT DE VOTRE ANCIEN RÉFRIGÉRATEUR



Les enfants pris au piège ou morts d'asphyxie sont toujours d'actualité. Les réfrigérateurs abandonnés sont toujours aussi dangereux, même si on n'attend que «quelques jours» pour s'en débarrasser. Si vous ne gardez pas votre ancien réfrigérateur, veuillez suivre les directives ci-dessous afin de prévenir les accidents.

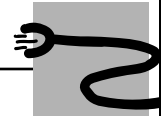
Avant de vous débarrasser de votre ancien réfrigérateur ou congélateur :

- Démontez les portes;

- Laissez les clayettes en place afin d'empêcher les enfants de grimper à l'intérieur.

CORDONS PROLONGATEURS

Nous vous recommandons fortement de ne pas utiliser de cordons prolongateurs à cause des risques potentiels qu'ils présentent dans certaines conditions.



Toutefois si vous décidez d'utiliser tout de même un cordon prolongateur, il est absolument nécessaire qu'il s'agisse d'un cordon à 3 fils avec mise à la terre pour appareils électroménagers certifiés CSA, pourvu d'une fiche et d'une prise mises à la terre de 15 ampères (minimum) et de 120 volts.

Congélateur inférieur Réfrigérateurs

Mesures de sécurité	2, 3
Fonctionnement	
Clayettes et bacs	4
Compartment congélateur	6
Entretien et nettoyage	7, 8
Les bacs à rangement	
et bacs à légume	5
Les commandes	4
Remplacement des ampoules	8
Instructions d'installation	
Changement du sens	
d'ouverture des portes	13-16
Installation du réfrigérateur	10-12
Préparation	9
Conseils de dépannage	17-19
Bruits normaux de fonctionnement ..	17
Soutien au consommateur	
Garantie	23
Registration du produit	21, 22
Soutien au consommateur	24

Transcrivez les numéros de modèle et de série ici :

de modèle _____

de série _____

Ils figurent sur l'étiquette qui se trouve à l'intérieur du compartiment réfrigérateur en haute à droite.