



SPECIFICATIONS

Overall Width	29 7/8" (75.9 cm)
Overall Depth	21 3/8" (54.3 cm)
Overall Height	6" (15.2 cm)
Cut-out Width	28 1/2" (72.4 cm)
Cut-out Depth	19 5/8" (49.9 cm)
Conduit Length	48" (122 cm)
Electrical Rating	9,400W at 240V/60Hz 7,100W at 208V/60Hz
Recommended Circuit Breaker Size	40 Amps
Net Weight	38 lbs. (17.3 kg)
Approx. Shipping Weight	48 lbs. (21.8 kg)

ATTENTION ELECTRICIAN:

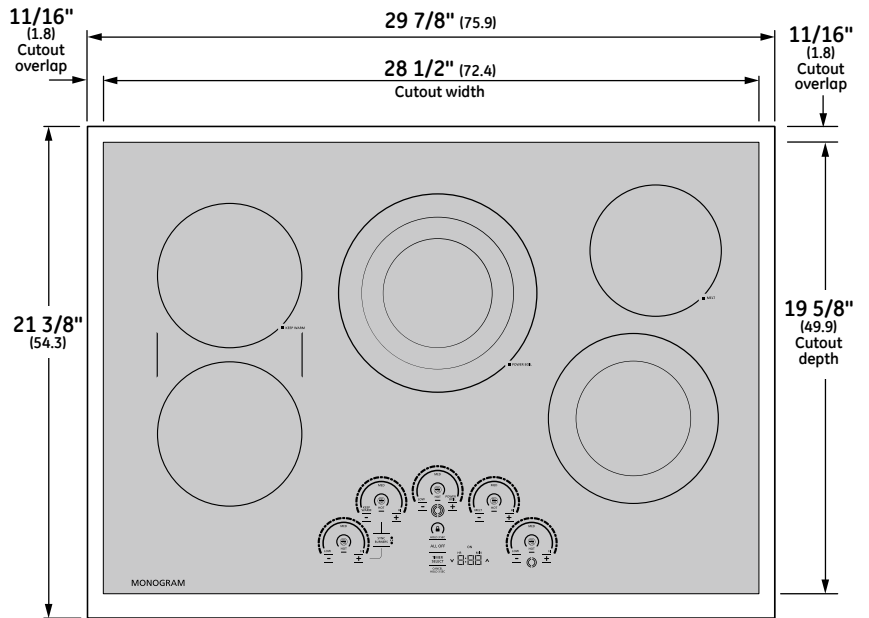
This cooktop is provided with a 48" flexible conduit and must be hard wired (direct wired) into an approved junction box and be properly grounded. It is not permitted to use a "plug and receptacle" type installation on this cooktop.

Use a two-wire, three conductor 208/240V AC, 60 Hertz electrical system. A white (neutral) wire is not needed for this cooktop.

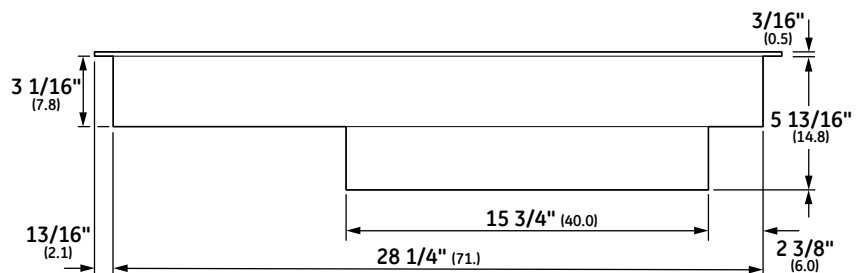
The cooktop must be installed in a circuit that does not exceed 125V AC nominal to ground.

For more details refer to the installation instructions for this product.

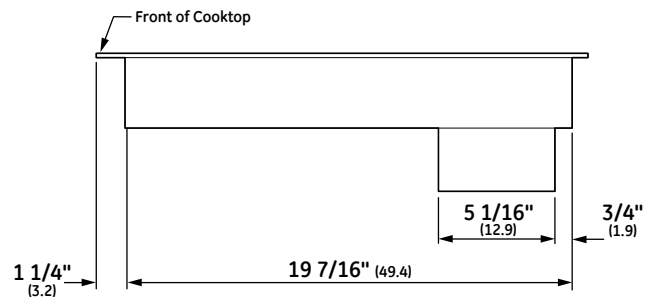
OVERALL DIMENSIONS



TOP VIEW (SHOWING CUTOUT OVERLAP)



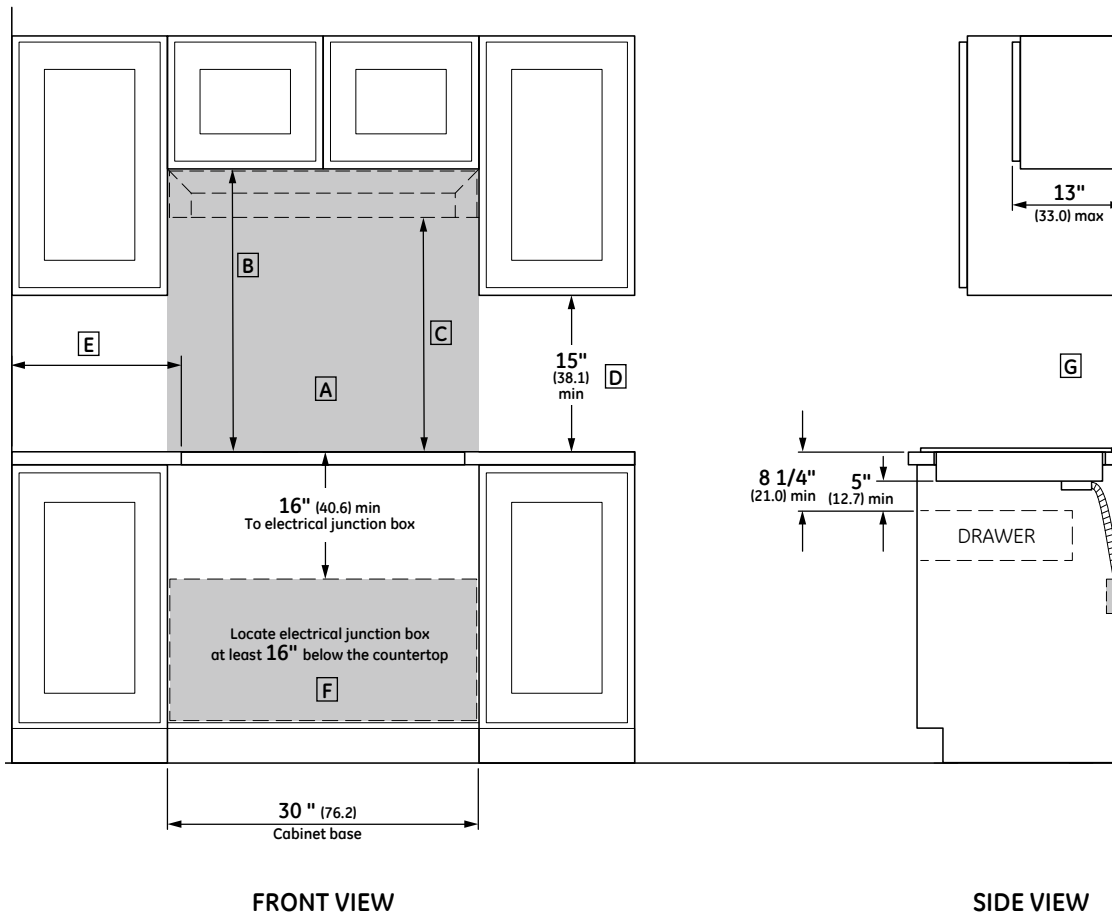
FRONT VIEW



SIDE VIEW

Dimensions in parentheses are in centimeters unless otherwise noted. Actual product dimensions may vary due to manufacturing tolerances.

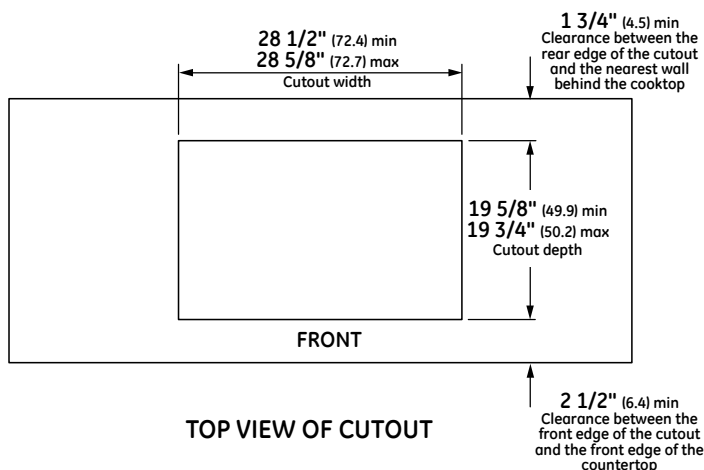
STANDARD INSTALLATION



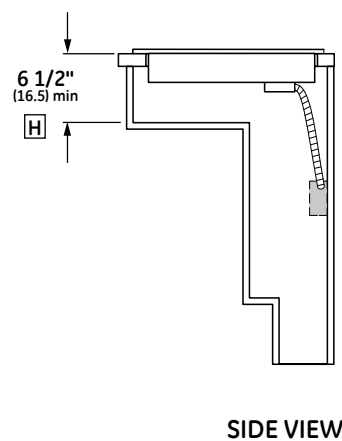
NOTES

- A** Wall coverings, countertop and cabinets surrounding cooktop must be able to withstand temperatures of up to 200°F.
- B** Minimum 30" clearance from countertop to unprotected overhead surfaces, when no ventilation hood is installed.
- C** When using a ventilation hood above the cooktop, see hood installation instructions for minimum overhead clearance dimensions.
- D** Minimum 15" of clearance from countertop to nearest overhead surface on either side of cooktop. Make sure to include any lighting rail covers in calculation.
- E** Minimum 2" distance from edge of cutout to nearest adjacent side wall below upper cabinets.
- F** Install an approved junction box where it can be easily reached through the front of the cabinet where the cooktop is located. **IMPORTANT:** For serviceability, the junction box must be located where it will allow considerable slack in the 48" long conduit.
- G** Maximum 13" depth of unprotected overhead surfaces, when no ventilation hood is installed.
- H** For Americans with Disabilities Act (ADA) forward approach installation: Minimum 6 1/2" clearance between the top of the countertop and the enclosure. The enclosure must be made of at least 1/4" thick wood material, and must have an access panel installed in order to provide access to the junction box and hold-down brackets, and to allow for service of the cooktop.

COUNTERTOP CUT-OUT DIMENSIONS



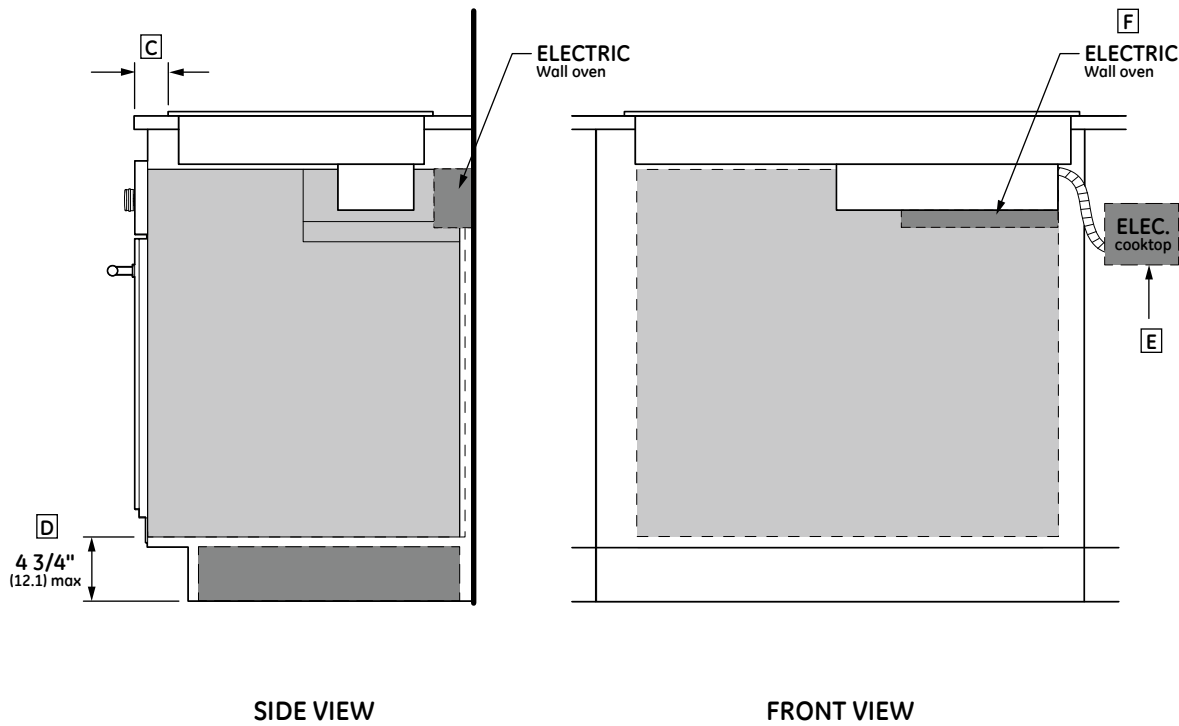
ADA INSTALLATION



Dimensions in parentheses are in centimeters unless otherwise noted.

For more details refer to the installation instructions for this product.

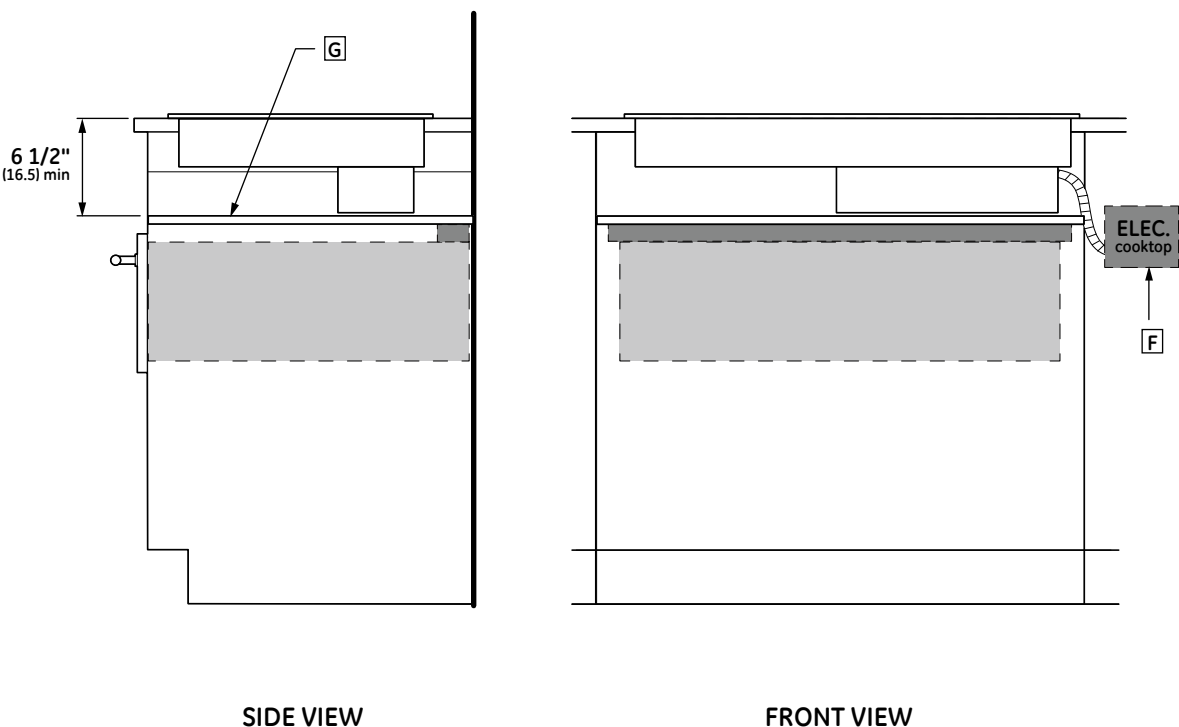
INSTALLATION ABOVE WALL OVEN **A**



NOTES

- A** Note this cooktop is only approved for installation above specific wall ovens as labeled on this unit.
- B** Warming drawers are approved for installation below only certain specified cooktop models. See the label attached to the top of the warming drawer or underside of the cooktop for approved combinations.
- C** When this cooktop is installed above a flush-mounted wall oven, the clearance from the front edge of the countertop to the front edge of the cooktop cutout is minimum 2 1/2" plus the wall oven cleat setback.
- D** Maximum toe kick height of 4" when installed above a certified wall oven (4 3/4" including thickness of support platform).

INSTALLATION ABOVE WARMING DRAWER **B**



- E** Junction box location for wall oven (may also be located in adjacent cabinet).
- F** Electrical connection for cooktop must be located in an accessible adjacent location to the right (may also be located in adjacent cabinet).
- G** When installing the cooktop above a warming drawer, a solid barrier must be installed at least 6 1/2" from the bottom of the countertop. Use any solid material such as 1/4" thick plywood. Allow at least 1/4" air gap between the barrier and the top of the warming drawer.

For more details, refer to the installation instructions for this product on Monogram.com. Dimensions in parentheses are in centimeters unless otherwise noted.

For more details refer to the installation instructions for this product.

FEATURES AND BENEFITS

Glide Touch Controls - Easy to use electronic controls allow you to precisely raise or lower heat in an instant with one easy swipe

Five Radiant Cooking Elements - Cook foods quickly and evenly on a sleek, glass surface

9"/7"/5" 3000W Power Boil Element - Flexible triple element allows you to use different pan sizes on a single location that produces rapid powerful heat

8"/5" 2200W Dual Element - Flexible element allows you to use different pan sizes on a single element

SyncBurners - Control two 7" elements simultaneously to evenly heat large cookware or the included griddle

Stainless Steel Clad Aluminum Griddle - Achieve even results with this lightweight griddle, tailored to fit Monogram SyncBurners

Keep Warm Setting - Keep food warm with our lowest heat setting, while still boiling water in minutes with this fully functional 6" element

Melt Setting - Gently melt delicate foods without burning or scorching

Multi-Element Timer - Manage up to five pans at once with individual timers for each element


Control Lock Capability - Protects against unintended activation

Custom Settings - Personalize your cooktop settings to fit your cooking style

Red and White LED Display with Patterned Black Glass Surface - Elegant and easy to read

Stainless Steel Frame - Completely surrounds the cooktop surface to complement all other stainless steel appliances



<p>Client GE Appliances</p> <p>Job Number 81516</p> <p>File Name ZEU30RSJSS_r4.indd</p> <p>Date 4/2/15</p> <p>MB Database gea_creative / quick specs / 15_monogram</p> <p>Operator jv, mek, jv</p> <p>Art Director Chris Colby</p> <p>Art ACD Chris Colby</p>	<p>NOTES:</p> <p>4pgs - 4/C - 8.5x11</p>
 <p>POWERCREATIVE</p>	<p>COLOR: ■ 4 Color □ Black</p> <p> □ 1 PMS □ 2 PMS □ 3 PMS</p> <p>AE: _____ Art ACD: _____</p> <p>Art Director: _____</p> <p>Proofreader: _____ Writer ACD: _____</p>

MB/ gea_creative/ 0_quick_specs/ quick specs/ 2015_Monogram/
 cooktop
 (or appropriate product line subfolder)