

UNC15NJII

15" Built-In Gourmet Clear Nugget Ice Maker

DIMENSIONS AND INSTALLATION INFORMATION (IN INCHES)

DIMENSIONS

H 33-7/8" - 34-7/8"

W 14-7/8"

D 22-3/4"

NOTE:

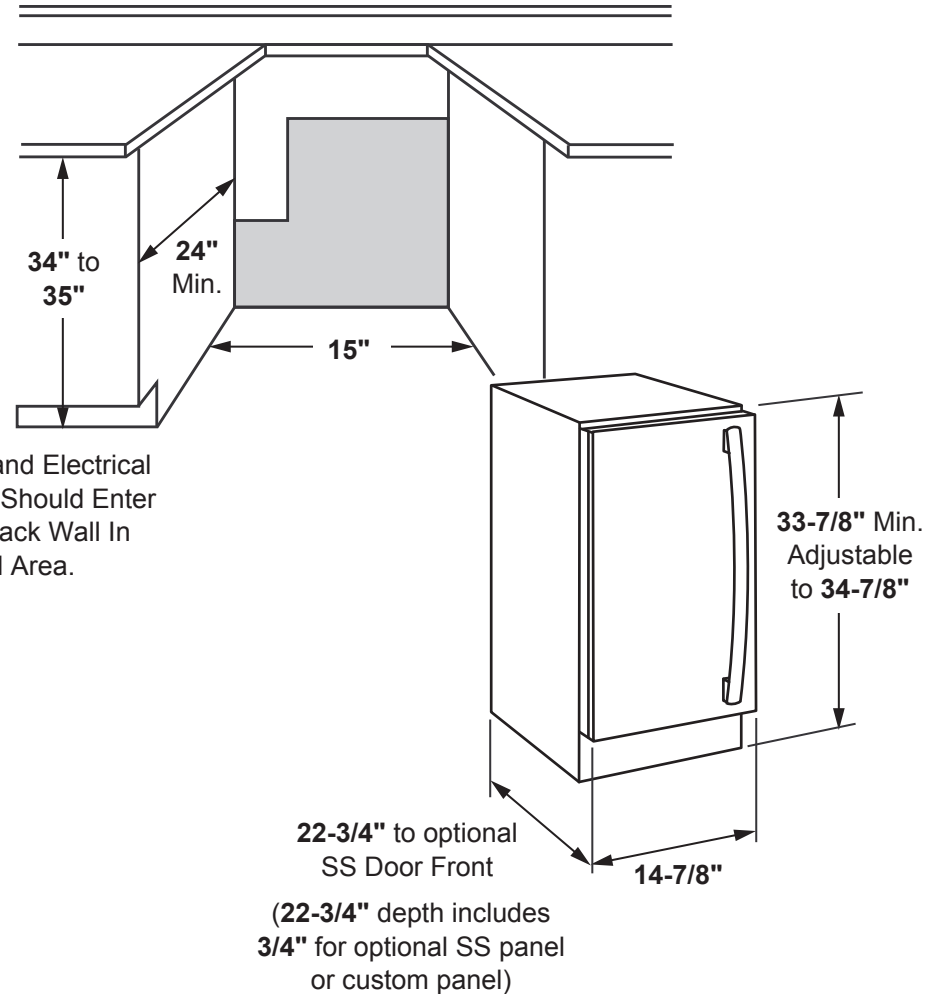
The finished cut-out is determined by the type of installation. Before installing, consult installation instructions packed with product for current dimensional data.

WARRANTY INFORMATION:

Limited one-year warranty, in-home service, parts and labor.*

Limited five-year warranty, parts and labor on the compressor, evaporator and all connecting tubing.*

*See written warranty for complete details.



For answers to your Monogram, GE Café™ Series, GE Profile™ Series or GE Appliances product questions, visit our website at geappliances.com or call GE Answer Center® Service, 800.626.2000.

Specification Revised 2/20

UNC15NJII

15" Built-In Gourmet Clear Nugget Ice Maker

INSTALLATION INFORMATION

The ice machine can be used free-standing or as a built-in, under the countertop.

The ice machine requires a 115 Volt, 60 Hz., AC only power supply, with an individual, properly grounded branch circuit, protected by a 15 amp fuse or circuit breaker

To achieve a custom appearance, the ice machine door accepts 3/4" custom panels to coordinate or contrast with cabinetry. Optional door panels and handle kits are available. Order PIP70SS for stainless steel door panel kit with Profile handle. ZIP85SS for stainless steel door panel kit with Monogram Statement handle. ZIS85SS for stainless steel door panel kit with Monogram Minimalist handle.

CAFE™ PANEL AND HANDLE KITS BELOW

Panel Kits:		CIP75S1 (Stainless)	CIP75D1 (Matte Black)	CIP75W2 (Matte White)
Handle Kits:	Brushed Black	CXXN1HIPNBT	CXXN1HIPNBT	CXXN1HIPNBT
	Brushed Bronze	CXXN1HIPNBZ	CXXN1HIPNBZ	(Included with CIP75W2)
	Brushed Copper	CXXN1HIPNCU	CXXN1HIPNCU	CXXN1HIPNCU
	Brushed Stainless	(Included with CIP75S1)	(Included with CIP75D1)	CXXN1HIPNSS

NOTE:

The ice machine is equipped with a gravity drain to prevent water from flowing back into the ice storage bin. A drain pump is necessary when a floor drain is not available. Order UPK3 Drain Pump Kit.



For answers to your Monogram, GE Café™ Series, GE Profile™ Series or GE Appliances product questions, visit our website at geappliances.com or call GE Answer Center® Service, 800.626.2000.

UNC15NJII

15" Built-In Gourmet Clear Nugget Ice Maker

FEATURES AND BENEFITS

High nugget ice production – Produces up to 56 pounds of ice per day

Large capacity ice bin – Holds 26 pounds of nugget ice and automatically shuts off when the bin is full

Interior LED lighting – Puts nugget ice in clear view

Free-standing or built-in capable

Clean indicator light – Alerts when it's time to clean the product

Ice scoop – Has a sturdy design that makes it easy to transfer nugget ice to glassware

Indoor or outdoor capable

Optional door and handle kits available

Optional drain pump kit available

Model UNC15NJII – Panel ready

