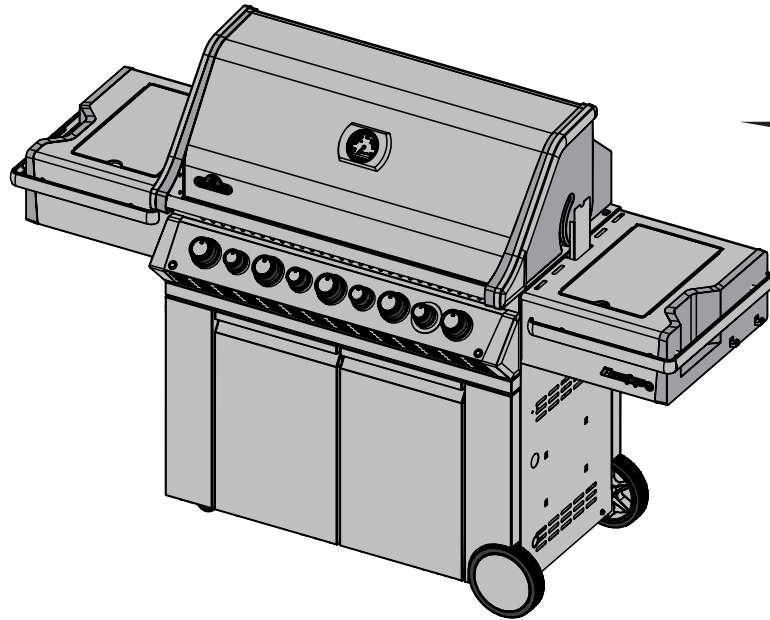
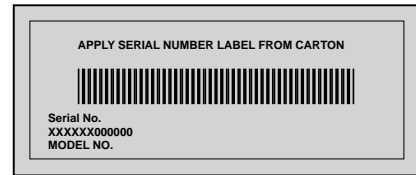


This gas grill must be used only outdoors in a well-ventilated space and must not be used inside a building, garage, screened-in porch, gazebo or any other enclosed area.



PRO665



DANGER

IF YOU SMELL GAS:

- Shut off gas to the appliance.
- Extinguish any open flame.
- Open lid.
- If odor continues, keep away from the appliance and immediately call your gas supplier or fire department.



WARNING

Do not try to light this appliance without reading the "LIGHTING" instructions section of this manual.

Do not store or use gasoline or other flammable liquids or vapors in the vicinity of this or any other appliance. An L.P. cylinder not connected for use must not be stored in the vicinity of this or any other appliance. If the information in these instructions is not followed exactly, a fire or explosion may result, causing property damage, personal injury or death.

Adults and especially children should be alerted to the hazards of high surface temperatures. Young children should be supervised near the gas grill.

Notice to Installer: Leave these instructions with the grill owner for future reference.



Napoleon Group of Companies
214 Bayview Dr., Barrie, Ontario, Canada L4N 4Y8
Phone: 1-705-726-4278 Fax: (705)-727-4282
www.napoleongrills.com
Customer Solutions: 1-866-820-8686 or grills@napoleonproducts.com





All NAPOLEON gas grills are manufactured under the strict Standard of the world recognized ISO 9001-2008 Quality Assurance Certificate.

NAPOLEON products are designed with superior components and materials, and are assembled by trained craftsmen who take great pride in their work. The burner and valve assembly are leak tested and test-fired at a quality test station. This grill has been thoroughly inspected by a qualified technician before packaging and shipping to ensure that you, the customer, receive the quality product you expect from NAPOLEON.



Naoleon Gas Grill President's Limited Lifetime Warranty

NAPOLEON warrants that components in your new NAPOLEON product will be free from defects in material and workmanship from the date of purchase, for the following period:

Aluminum castings / stainless steel base	Lifetime
Stainless steel lid	Lifetime
Porcelain enamel lid	Lifetime
Stainless steel cooking grids	Lifetime
Stainless steel tube burners	10 years plus5
Stainless steel sear plates	5 years plus5
Porcelain-enameled cast iron cooking grids	5 years plus5
Stainless steel infrared rotisserie burner	5 years
Ceramic infrared rotisserie burner (excluding screen)	3 years
Ceramic infrared bottom or side burners (excluding screen)	2 years
All other parts	2 years

plus5 indicates a period of extended warranty coverage whereby the replacement part will be made available to the consumer for an additional 5 years at 50% of the current retail price. Accessories and bonus items are not covered by this warranty.

Conditions and Limitations

NAPOLEON warrants its products against manufacturing defects to the original purchaser only, provided that the purchase was made through an authorized NAPOLEON dealer and is subject to the following conditions and limitations:

This factory warranty is non-transferable and may not be extended what-so-ever by any of our representatives.

The gas grill must be installed by a licensed, authorized service technician or contractor. Installation must be done in accordance with the installation instructions included with the product and all local and national building and fire codes.

This limited warranty does not cover damages caused by misuse, lack of maintenance, grease fires, hostile environments, accident, alterations, abuse or neglect and parts installed from other manufacturers will nullify this warranty. Discoloration to plastic parts from chemical cleaners or UV exposure is not covered by this warranty.

This limited warranty further does not cover any scratches, dents, painted finishes, corrosion or discoloring by heat, abrasive and chemical cleaners, nor chipping on porcelain enamel parts, nor any components used in the installation of the gas grill.

Should deterioration of parts occur to the degree of non-performance (rusted through or burnt through) within the duration of the warranted coverage, a replacement part will be provided.

After the first year, with respect to this President's Limited Lifetime Warranty NAPOLEON may, at its discretion, fully discharge all obligations with respect to this warranty by refunding to the original warranted purchaser the wholesale price of any warranted but defective part(s).

NAPOLEON will not be responsible for the installation, labour or any other costs or expenses related to the re-installation of a warranted part, and such expenses are not covered by this warranty.

Notwithstanding any provision contained in this President's Limited Lifetime Warranty NAPOLEON's responsibility under this warranty is defined as above and it shall not in any event extend to any incidental, consequential, or indirect damages.

This warranty defines the obligation and liability of NAPOLEON with respect to the NAPOLEON gas grill and any other warranties expressed or implied with respect to this product, its components or accessories are excluded.

NAPOLEON neither assumes, nor authorizes any third party to assume, on its behalf, any other liabilities with respect to the sale of this product.

NAPOLEON will not be responsible for: over firing, blow outs caused by environmental conditions such as strong winds, or inadequate ventilation,

Any damages to the gas grill due to weather damage, hail, rough handling, damaging chemicals or cleaners will not be the responsibility of NAPOLEON.

The bill of sale or copy will be required together with a serial number and a model number when making any warranty claims from NAPOLEON.

NAPOLEON reserves the right to have its representative inspect any product or part prior to honoring any warranty claim.

NAPOLEON shall not be liable for any transportation charges, labor costs, or export duties.



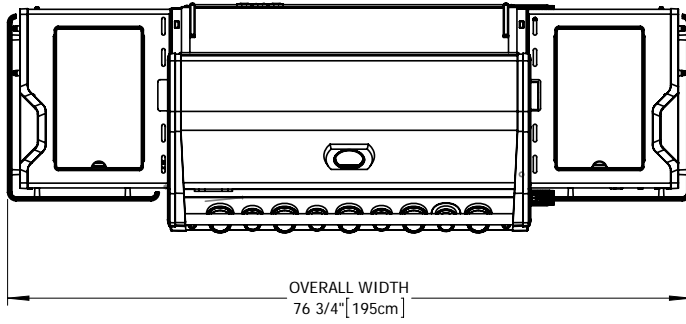
WARNING! Failure to follow these instructions could result in property damage, personal injury or death. Read and follow all warnings and instructions in this manual prior to operating grill.

Safe Operating Practices

- This gas grill must be assembled exactly according to the instructions in the manual. If the grill was store assembled, you must review the assembly instructions to confirm correct assembly and perform the required leak tests before operating the grill.
- Read the entire instruction manual before operating the gas grill.
- This gas grill must be used only outdoors in a well-ventilated space and must not be used inside a building, garage, screened-in porch, gazebo or any other enclosed area.
- This gas grill must not be installed in or on recreational vehicles and/or boats.
- Do not locate unit in windy settings. High winds adversely affect the cooking performance of the gas grill.
- Under no circumstances should this gas grill be modified.
- Do not operate unit under overhead combustible construction.
- Maintain proper clearance to combustibles 27" (685mm) to rear of unit, 7" (178mm) to sides). Additional clearance of 32" (810mm) is recommended near vinyl siding or panes of glass.
- Gas must be turned off at the propane cylinder or at the natural gas supply valve when the gas grill is not in use.
- Do not attempt to use a cylinder that is not equipped with a QCC1 type connection.
- When the propane cylinder is connected to the appliance, the gas grill and cylinder must be stored outdoors in a well-ventilated space.
- When the gas grill is to be stored indoors, the connection between the propane cylinder and the gas grill must be disconnected and the cylinder removed and stored outdoors in a well ventilated space out of reach of children. Disconnected cylinders must not be stored in a building, garage or any other enclosed area. Natural gas units must be disconnected from the supply when being stored indoors.
- Inspect the fuel supply hose before each use. If there is evidence of excessive abrasion or wear or the hose is cut, it must be replaced prior to using the gas grill with a replacement pressure regulator and hose assembly specified by the grill manufacturer.
- Do not route hose underneath drip pan - proper hose clearance to bottom of unit must be maintained.
- Hose must not run behind the front leg. It must run around the front side of leg (if applicable).
- Leak test the unit before initial use, annually, and whenever any gas components are replaced.
- Follow lighting instructions carefully when operating grill.
- Burner controls must be off when turning supply cylinder valve on.
- The lid is to be closed during the gas grill preheating period on all models except the BISZ300NFT/PFT and the built-in side burner BISB245.
- The BISZ300NFT/PFT and the built-in side burner BISB245 are supplied with a flat cover for storage and protection from the elements. Never place this cover on the grill while hot or operating. Allow grill to cool completely before covering.
- Adults and especially children should be alerted to the hazards of high surface temperatures. Young children should be supervised near the gas grill.
- Do not leave grill unattended when operating.
- Do not light burners with lid closed.
- Do not operate rear burner with main burners operating.
- Do not move grill when hot or operating.
- Do not use condiment tray to store lighters, matches or any other combustibles.
- Keep any electrical supply cord and fuel supply hose away from any heated surfaces.
- Ensure sear plates are positioned properly according to sear plate installation instructions. The holes must be towards the front of the gas grill (if applicable).
- Clean grease tray and sear plates regularly to avoid build-up, which could lead to grease fires.
- Remove warming rack before lighting rear burner. The extreme heat will damage the warming rack.
- Inspect infrared burner venturi tube for spider webs and other obstructions periodically. Clean the tubes completely if you find any such obstructions.
- Do not allow cold water (rain, sprinkler, hose, etc.) to come in contact with heated unit. A large temperature differential can cause chipping in the porcelain.
- Do not allow cold water (rain, sprinkler, hose, etc.) to come in contact with ceramic burners.
- Do not use a pressure washer to clean any part of the unit.

DIMENSIONS

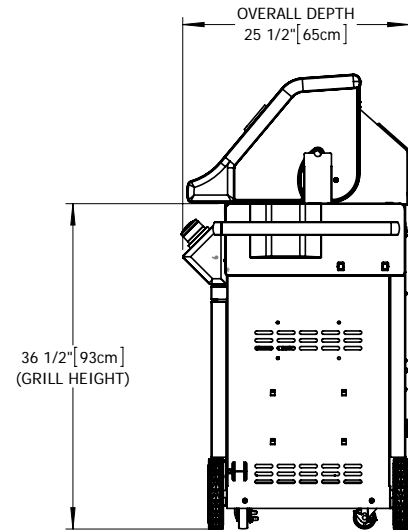
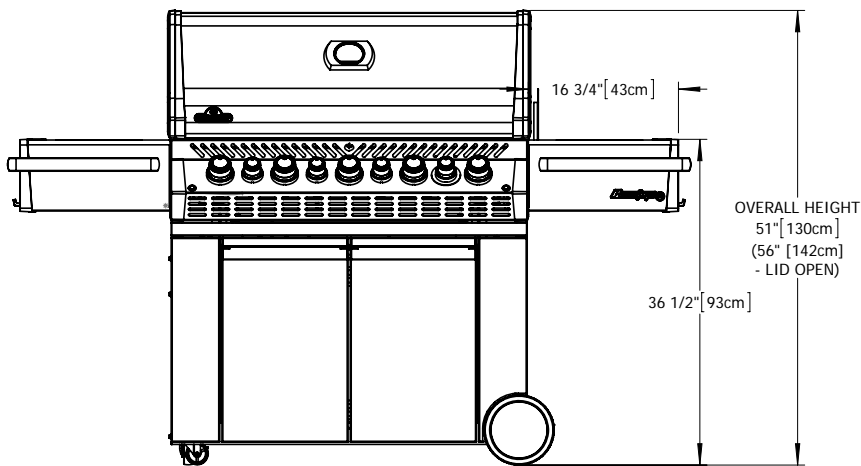
EN



PRO665 GRILL

GRILL SIZE: 665 in² (4324 cm²)
 WARMING RACK SIZE: 345 in² (2185 cm²)

ALL DIMENSIONS ARE APPROXIMATE



General Information

This Gas Barbecue Is Certified Under Canadian And American National Standards, CSA 1.6b-2012 and ANSI Z21.58b-2012 respectively for Outdoor Gas Grills and should be installed to conform with local codes. In absence of local codes, install to the current CAN B149.1 Natural Gas and Propane Installation Code in Canada or to the National Fuel Gas Code, ANSI Z223.1 in the United States.

If a rotisserie motor is used, it must be electrically grounded in accordance with local codes or, in absence of local codes, with the current CSA C22.1 Canadian Electrical Code in Canada or the National Electrical Code, ANSI/NFPA 70 in the United States.

California proposition 65: The burning of gas fuel creates by-products, some of which are on the list as substances known by the State of California to cause cancer or reproductive harm. When cooking with gas, always ensure adequate ventilation to the unit, to minimize exposure to such substances.

Propane Cylinder Specifications



WARNING! If these instructions are not followed exactly, a fire causing death or serious injury may occur.

WARNING! Do not store a spare propane cylinder on the shelf beneath the barbecue.

If the gas grill is being supplied with propane from a portable cylinder, a regulator specified by the manufacturer must be used. The regulator must supply a pressure of 11 inches water column (0.39 PSI) to the gas grill and have a QCC1 type fitting. Cylinders to be used with this unit must be supplied with a QCC1 cylinder valve. A QCC1 cylinder has a positive seating connection, which will not allow gas flow until a positive seal has been achieved. It is also equipped with an excess flow device. In order to attain full flow to the grill, the valves must be in the off position when the cylinder valve is turned on.

A dented or rusty cylinder may be hazardous and should be checked by your propane supplier. Never use a cylinder with a damaged valve. Use only a propane supply cylinder constructed and marked in accordance with the specifications for LP-gas cylinders of the National Standard of Canada, CAN/CSA-b339, Cylinders, Spheres and Tubes for Transportation of Dangerous Goods; and Commission, as applicable or the Specifications for LP-Gas Cylinders of the U.S. Department of Transportation (D.O.T.). Cart models have been designed for use with a 20 lb (9.1 kg) size propane cylinder only (not supplied).

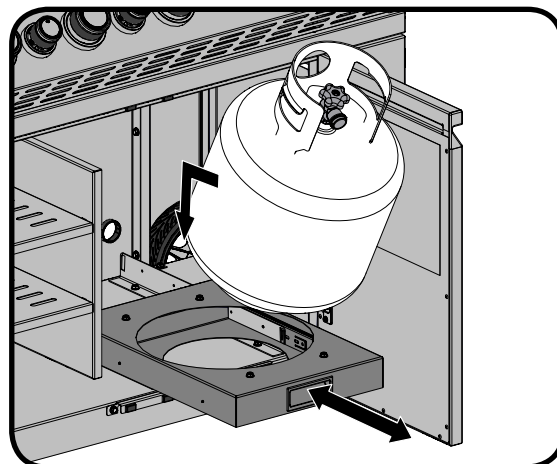
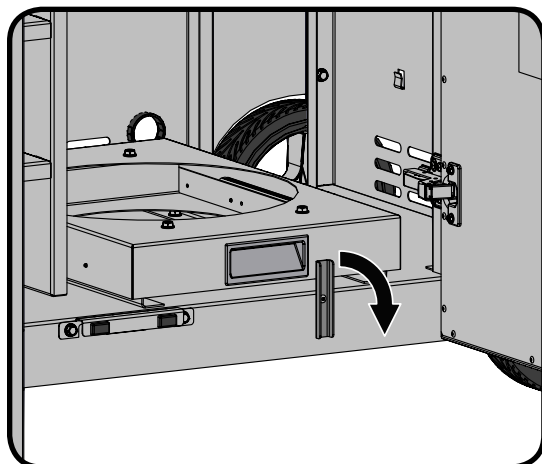
The propane cylinder must be provided with a cylinder connection device compatible with the connection for outdoor cooking appliances. The propane cylinder must be provided with a shut-off valve terminating in a propane cylinder valve type QCC1, and a safety relief device having direct communication with the vapor space of the cylinder. The cylinder supply system must be arranged for vapor withdrawal and the cylinder shall include a collar to protect the cylinder valve. The cylinder shall incorporate a listed OPD (overfill protection device). Do not store a spare LP-gas cylinder under or near this appliance. Never fill the cylinder beyond 80 percent full. If the preceding information is not followed exactly, a fire causing death or serious injury may occur.

Gas Hook-Up Instructions

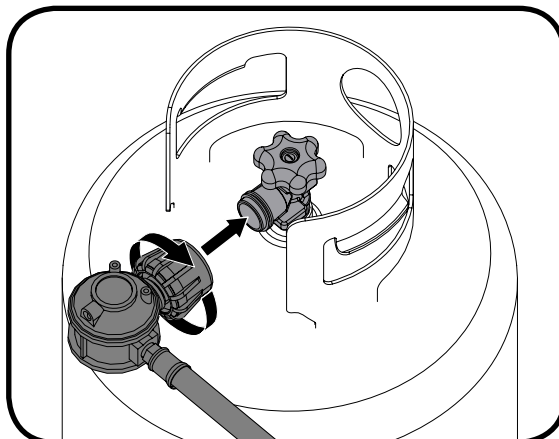


WARNING! A fire will result if the gas supply hose makes contact with the underside of the grill or drip pan.

Propane Cylinder Installation: Set cylinder into the tank tray in the bottom shelf. Other cylinders may be acceptable provided they fit properly into the tank retaining ring.



Cylinder Connection: Ensure the gas regulator hose is kink free. Remove the cap or plug from the cylinder fuel valve. Insert the black QCC1 regulator nipple onto the QCC1 fuel valve. Hand tighten clockwise. Do not use tools. Leak test all joints prior to using the grill. A leak test must be performed annually and each time a cylinder is hooked up or if a part of the gas system is replaced.



If this grill is to be connected directly to a house propane gas supply line, follow the instructions for the natural gas hook-up. Ensure that the supply pressure is 11 inches water column.

Natural Gas Hook-Up: These connections must be made by a licensed gas fitter. This natural gas grill is supplied with a gas supply hose (complete with a quick disconnect) designed for natural gas and certified for outdoor use. The gas grill is designed to operate at an inlet pressure of 7 inches water column. Piping and valves upstream of the quick disconnect are not supplied. The installation must comply with CAN B149.1 Natural Gas and Propane installation code in Canada, or to the National Fuel Gas Code, ANSI Z223.1 in the United States. The gas supply pipe must be sufficiently sized to supply the BTU/h specified on the rating plate, based on the length of the piping run.

The quick disconnect must not be installed in an upward direction and a readily accessible manual shut-off valve must be installed upstream of, and as close to, the quick disconnect as is feasible. The flared end of the hose must be connected to the fitting on the end of the manifold tube or flex tube (if applicable) as illustrated in the Natural Gas Hose Attachment diagram. Tighten using two wrenches. (Do not use thread sealer/pipe dope.) Leak test all joints prior to using the gas grill.



WARNING!

- The installation must be performed by a licensed gas fitter, and all connections must be leak tested before operating the grill.
- Do not route hose underneath the drip pan.
- Do not route hose between bottom shelf space and back panel.
- Do not route hose over top of rear panel.
- Ensure all hose connections are tightened using two wrenches. Do not use Teflon tape or pipe dope on any hose connection.
- Ensure the hose does not contact any high temperature surfaces or it may melt and leak causing a fire.
- Leak test all the connections using a soap and water solution as per the leak testing instructions found in the manual.
- The outdoor cooking gas appliance and its individual shutoff valve must be disconnected from the gas supply piping system during any pressure testing of that system at test pressures in excess of 0.5 psi (3.5 kPa).
- The outdoor cooking gas appliance must be isolated from the gas supply piping system by closing its individual manual shutoff valve during any pressure testing of the gas supply piping system at test pressures equal to or less than 1/2 psi (3.5 kPa).

Electrical Precautions



WARNING! Failure to follow these instructions could result in property damage, personal injury or death.

- To protect against electric shock, do not immerse cord or plugs in water or other liquid.
- Unplug from the outlet when not in use and before cleaning. Allow to cool before putting on or taking off parts.
- Do not operate any outdoor cooking gas appliance with a damaged cord, plug, or after the appliance malfunctions or has been damaged in any manner. Contact the manufacturer for repair.
- Do not let the cord hang over the edge of a table or touch hot surfaces.
- Do not use an outdoor cooking gas appliance for purposes other than intended.
- When connecting, first connect plug to the outdoor cooking gas appliance then plug appliance into the outlet.
- Use only a Ground Fault Interrupter (GFI) protected circuit with this outdoor cooking gas appliance.
- Never remove the grounding plug or use with an adapter of 2 prongs.
- Use only extension cords with a 3 prong grounding plug, rated for the power of the equipment, and approved for outdoor use with a W-A marking.

Leak Testing Instructions



WARNING! A leak test must be performed annually and each time a cylinder is hooked up or if a part of the gas system is replaced.



WARNING! Never use an open flame to check for gas leaks. Be certain no sparks or open flames are in the area while you check for leaks. Sparks or open flames will result in a fire or explosion, damage to property, serious bodily injury, or death.



Leak testing: This must be done before initial use, annually, and whenever any gas components are replaced or serviced. Do not smoke while performing this test, and remove all sources of ignition. See Leak Testing Diagram for areas to check. Turn all burner controls to the off position. Turn gas supply valve on.



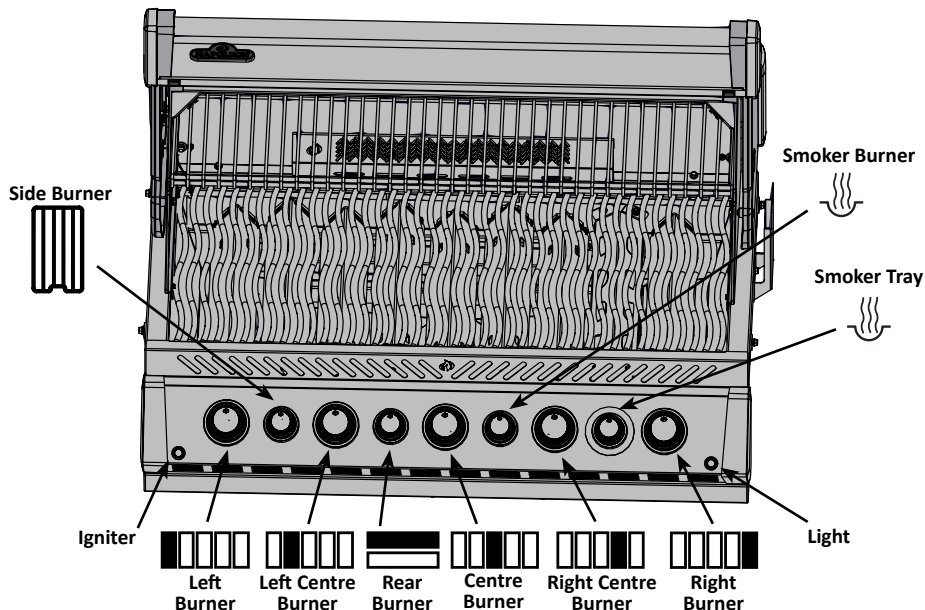
Brush a half-and-half solution of liquid soap and water onto all joints and connections of the regulator, hose, manifolds and valves.

Bubbles will indicate a gas leak. Either tighten the loose joint or have the part replaced with one recommended by the Napoleon Customer Solutions department and have the grill inspected by a certified gas installer.



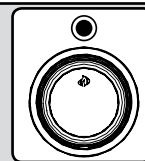
If the leak cannot be stopped, **immediately shut off the gas supply**, disconnect it, and have the grill inspected by a certified gas installer or dealer. Do not use the grill until the leak has been corrected.

Lighting Instructions



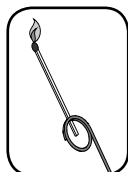
WARNING! Open lid

Off Position



WARNING! Ensure all burner controls are in the off position. Slowly turn on the gas supply valve.

Main Burner Lighting	Smoker Burner Lighting	Rear Burner Lighting (if equipped)	Side Burner Lighting (if equipped)
1. Open grill lid.	1. Open grill lid.	1. Open grill lid.	1. Open burner cover.
2. Push and turn any main burner knob to the high position. If the pilot lights, continue to push down on the control knob until the burner lights and then release.	2. Push and turn the smoker burner control knob to the high position.	2. Remove warming rack.	2. Push and turn the side burner control knob to the high position.
3. If the pilot does not ignite, then immediately turn the control knob back to the 'off' position and repeat step 2 several times.	3. Push and hold the electronic igniter button until the burner lights, or light with a match.	3. Push and turn the rear burner control to the high position.	3. Push and hold the electronic igniter button until the burner lights, or light with a match.
4. If the pilot and burner will not ignite within 5 seconds, turn the control knob to the 'off' position and wait 5 minutes for any excess gas to dissipate. Either repeat steps 2 and 3 or light with a match.	4. If the burner will not ignite within 5 seconds, turn the control knob to the 'off' position and wait 5 minutes for any excess gas to dissipate. Repeat step 2.	4. Push and hold the electronic igniter button until burner lights, or light by match.	4. If the burner will not ignite within 5 seconds, turn the control knob to the 'off' position and wait 5 minutes for any excess gas to dissipate. Repeat step 2.
5. If lighting the unit with a match, clip the match into the supplied lighting rod. Hold the lit match down through the grill and sear plate while turning the corresponding burner valve to high.		5. If the burner will not ignite within 5 seconds, turn the control knob to the 'off' position and wait 5 minutes for any excess gas to dissipate. Repeat step 3.	



WARNING! The propane cylinder is equipped with an excess flow device. Unless all burners are turned off prior to turning the cylinder on, only small flames and low heat will be achievable.

WARNING! Do not use rear burner while operating main burner.

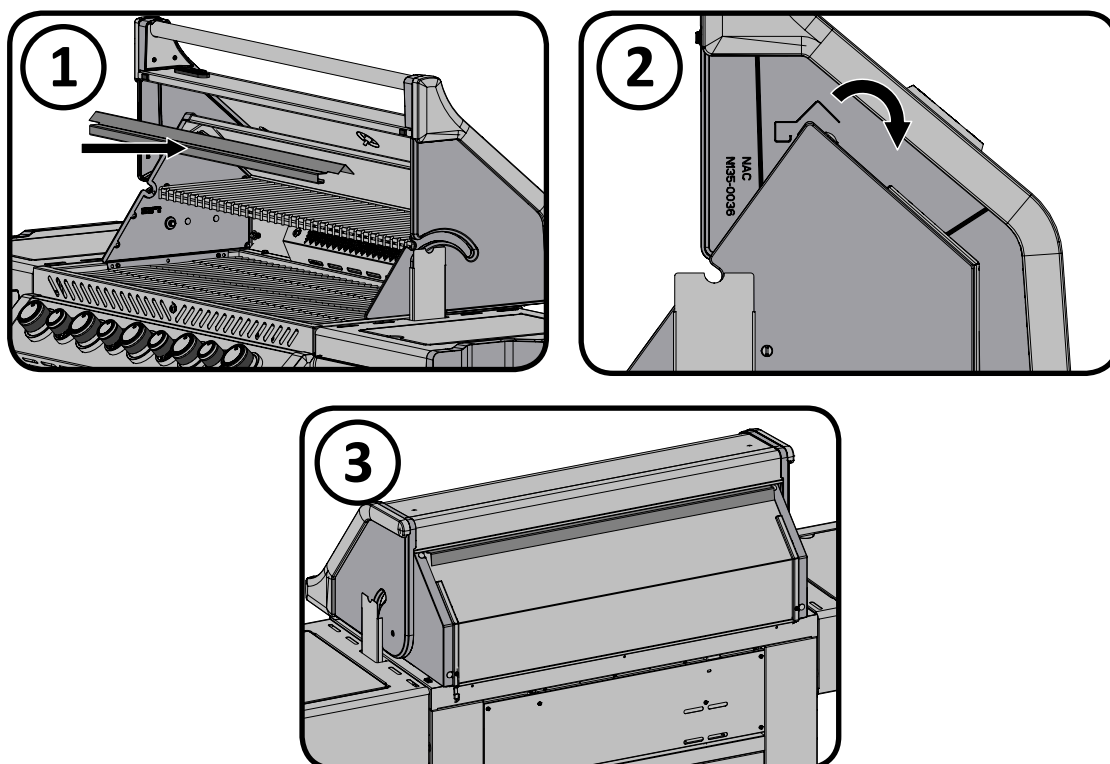
Cooking Instructions

Initial Lighting: When lit for the first time, the gas grill emits a slight odor. This is a normal temporary condition caused by the “burn-in” of internal paints and lubricants used in the manufacturing process and does not occur again. Simply run the main burners on high for approximately one-half hour.

Do not locate this gas grill in windy settings. High winds adversely affect the cooking performance of the gas grill. In extreme circumstances when consistent high winds come from directly behind the unit, heat can vent underneath the control panel. This may cause the control panel to become extremely hot to touch and the knobs to deform.

Napoleon offers an optional wind deflector illustrated below. Install this wind deflector to help prevent the possibility of improper heat build up.

NOTE! Napoleon is not responsible for: over firing, blow outs caused by environmental conditions such as strong winds, or inadequate ventilation.



Main Burner Use: When searing foods, we recommend preheating the grill by operating all main burners in the high position with the lid closed for approximately 10 minutes. Food cooked for short periods of time (fish, vegetables) can be grilled with the lid open. Cooking with the lid closed will ensure higher, more even temperatures that can reduce cooking time and cook meat more evenly. Food that has a cooking time longer than 30 minutes, such as roasts, can be cooked indirectly (with the burner lit opposite to the food placement). When cooking very lean meats, such as chicken breasts or lean pork, the grids can be oiled before pre-heating to reduce sticking. Cooking meat with a high degree of fat content can create flare-ups. Either trim the fat or reduce temperatures to inhibit this. Should a flare-up occur, move food away from the flames and reduce the heat. Leave the lid open. See *Your All Season Grill* cookbook by Napoleon for more detailed instructions.

Direct Cooking: Place food to be cooked on the grill directly over the heat. This method is generally used for searing or for foods that do not require prolonged cooking times such as hamburgers, steaks, chicken pieces, or vegetables. The food is first seared to trap-in the juices and flavor, and then the temperature is lowered to finish cooking the food to your preference.

Indirect Cooking: With one or more burners operating, place food to be cooked on the grill over a burner that is not operating. The heat circulates around the food, cooking slowly and evenly. Cooking with this method is much the same as cooking in your oven and is generally used for larger cuts of meats such as roasts, chickens or turkeys, but can also be used for cooking foods that are prone to flare-ups or for smoking foods. Lower temperatures and slower cooking times result in tender foods.

Rear Burner Use (If Equipped): Remove the warming rack prior to use, the extreme heat will damage the warming rack. Cooking grids should also be removed if they interfere with the rotisserie. The rear burner is designed to be used in conjunction with the rotisserie kit available from your dealer. See the rotisserie kit assembly instructions.

To use the counterbalance - remove the rotisserie motor from the gas grill. Place the spit with meat being cooked across the hangers inside the grill. The meat will naturally hang with the heavy side down. Tighten the counterbalance arm and weight so the arm is facing up. Slide the counterweight in or out to balance the load and tighten in place. Re-install the motor and begin cooking. Place a metal dish underneath the meat to collect drippings for basting and naturally delicious gravy. Basting liquid may be added as required. To seal in juices, first operate rear burner on high until brown, then reduce the heat to thoroughly cook foods. Keep the lid closed for best results. Your roasts and fowl will brown perfectly on the outside and stay moist and tender on the inside. For example, a 3 pound chicken on the rotisserie will be done in approximately 1½ hours on medium to high. See 'Your all Season Grill' cookbook by Napoleon for more detailed instructions.



WARNING! Barbecue sauce and salt can be corrosive and will cause rapid deterioration of the gas grill components unless cleaned regularly. When finished cooking disassemble rotisserie components, wash thoroughly with warm soapy water and store indoors.

Smoker Burner: The smoker burner is designed to be used in conjunction with the smoker tray. Follow the smoker burner lighting instructions and operate the smoker burner on high for 10 minutes, reducing heat as required.

Open the smoker drawer and place a small amount of wood chips into the solid portion of the smoker tray. As it is very easy to "over smoke" use small amounts on your first few attempts. To get a smoke flavour all that is required is a wisp of smoke, smoke billowing out of the unit is not desired and will often leave a sooty deposit on the food which doesn't taste good. Soaking wood before use will slow burning and increase smoke flavour.

Wood for smoking comes in various forms, chunks, chips, dust and pellets, it also comes in many varieties (flavours) from apple to walnut, each transmitting a different taste. Use only wood that you know has not been treated, or better still buy from your authorized Napoleon dealer.

Infrared Side Burner Use: The gas grill should be located so that the side burner is protected from the wind, because the wind will adversely affect its performance.

The side burner is equipped with a cooking grid which can be positioned at two different heights. The lower position can be used like any range top burner, for gravies, soups, etc. The higher position is for searing meats. (see instructions located on side burner lid).



WARNING! Do not close the side burner lid while it is operating or hot.

WARNING! Do not adjust cooking grid while hot or operating.

WARNING! Do not use side burner to deep fry foods as cooking with oil can create a dangerous situation.

1. Follow the infrared side burner lighting instructions and operate on high for 5 minutes with the lid opened or until the ceramic burners glow red.
2. Place food on grills and cook according to times listed in the Infrared Grilling Chart.
3. Depending upon your taste, continue cooking over infrared burners on high, medium or low, turning food frequently, or place food on the main burner area of the grill, close lid, and allow oven temperature to slowly finish cooking your food.

CAUTION! Due to the intense heat the infrared burners provide, food left unattended over burners will burn quickly. Keep the lid open when cooking with the infrared burners.

Protection Of Your Infra Red Burners: The infrared burners of your grill are designed to provide a long service life. However, there are steps you must take to prevent cracking of their ceramic surfaces, which will cause the burners to malfunction.

- Never let water come in direct contact with your ceramic burner.
- Do not allow hard objects to impact the infra red burner.
- Do not allow cold water (rain, sprinkler, hose, etc.) to come in contact with hot ceramic burners. A large temperature differential can cause cracking of the ceramic tile.

- Keep the lid closed when the side burner is not in use.
- After cooking operate the burner on high for 5 minutes, to burn off any drippings and debris.

Damage caused by failure to follow these steps is not covered by your grill warranty.

Infrared Heat

Most people don't realize that the heat source we are most familiar with, our sun, warms the earth using mainly infrared energy. This is a form of electro-magnetic energy with a wavelength just greater than the red end of the visible light spectrum but less than a radio wave. This energy was discovered in 1800 by Sir William Herschel who dispersed sunlight into its component colors using a prism. He showed that most of the heat in the beam fell into the spectral region just beyond the red end of the spectrum, where no visible light existed. Most materials readily absorb infrared energy in a wide range of wavelengths, causing an increase in its temperature. The same phenomenon causes us to feel warmth when we are exposed to sunlight. The infrared rays from the sun travel through the vacuum of space, through the atmosphere, and penetrate our skin. This causes increased molecular activity in the skin, which creates internal friction and generates heat, allowing us to feel warmth.

Foods cooked over infrared heat sources are heated by the same principle. Charcoal grilling is our most familiar choice for infrared cooking. The glowing briquettes emit infrared energy to the food being cooked with very little drying effect. Any juices or oils that escape from the food drip onto the charcoal and vaporize into smoke giving the food its delicious grilled taste. The Napoleon infrared burner cooks in the same way. In each burner, 10,000 ports – each with its own tiny flame – cause the surface of the ceramic tile to glow red. This glow emits the same type of infrared heat to the food as charcoal, without its hassle or mess. Infrared burners also provide a more consistently heated area that is far easier to regulate than a charcoal fire. For instant searing, the burners can be set to high, yet they can also be turned down for slower cooking. We all know how difficult that is on a charcoal fire. Traditional gas burners heat the food in a different way. The air surrounding the burner is heated by the combustion process and then rises to the food being cooked. This generates lower grill temperatures that are ideal for more delicate cuisine such as seafood or vegetables, whereas Napoleon's infrared burners produce searing heat for juicier, tastier steaks, hamburgers and other meats. For cooking times and tips refer to the Infrared Grilling Chart.

Infrared Grilling Chart

Food	Control Setting	Cooking Time	Helpful Suggestions
Steak 1 in. (2.54cm) thick	High setting 2 min. each side. High setting 2 min. each side then medium setting. High setting 2 min. each side then medium setting.	4 min. – Rare 6 min. – Medium 8 min. – Well done	When selecting meat for grilling, ask for marbled fat distribution. The fat acts as a natural tenderizer while cooking and keeps it moist and juicy.
Hamburger 1/2 in. (1.27cm) thick	High setting 2 min. each side. High setting 2 1/2 min. each side. High setting 3 min. each side.	4 min. – Rare 5 min. – Medium 6 min. – Well done	Preparing hamburgers to order is made easier by varying the thickness of your patties. To add an exotic taste to your meat, try adding hickory-flavored woodchips to Napoleon's woodchip smoker.
Chicken pieces	High setting 2 min. each side. then medium-low to low setting.	20-25 min.	The joint connecting the thigh and the leg from the skinless side should be sliced 3/4 of the way though for the meat to lay flatter on the grill. This helps it to cook faster and more evenly. To add a trademark taste to your cooking, try adding mesquite-flavoured woodchips to your Napoleon woodchip smoker, optional accessory.
Pork chops	Medium	6 min. per side	Trim off the excess fat before grilling. Choose thicker chops for more tender results.
Spare ribs	High setting for 5 minutes low to finish	20 min. per side turn often	Choose ribs that are lean and meaty. Grill until meat easily pulls away from the bone.
Lamb chops	High setting for 5 minutes medium to finish	15 min. per side	Trim off the excess fat before grilling. Choose extra thick chops for more tender results.
Hot dogs	Medium - Low	4-6 min.	Select the larger size wieners. Slit the skin lengthwise before grilling.

Cleaning Instructions



WARNING! Always wear protective gloves and safety glasses when servicing your grill.

WARNING! To avoid the possibility of burns, maintenance should be done only when the grill is cool. Avoid unprotected contact with hot surfaces. Ensure all burners are turned off. Clean grill in an area where cleaning solutions will not harm decks, lawns, or patios. Do not use oven cleaner to clean any part of this gas grill. Do not use a self-cleaning oven to clean cooking grids or any other parts of the gas grill. Barbecue sauce and salt can be corrosive and will cause rapid deterioration of the gas grill components unless cleaned regularly.

Note: Stainless steel tends to oxidize or stain in the presence of chlorides and sulfides, particularly in coastal areas and other harsh environments, such as the warm, highly humid atmosphere around pools and hot tubs. These stains could be perceived as rust, but can be easily removed or prevented. To provide stain prevention and removal, wash all stainless steel and chrome surfaces every 3-4 weeks or as often as required with fresh water and/or stainless steel cleaner.

Grids And Warming Rack: The grids and warming rack are best cleaned with a brass wire brush during the pre-heating period. Steel wool can be used for stubborn stains. It is normal that stainless grids (if equipped) will discolor permanently from regular usage due to the high temperature of the cooking surface.

Control Panel: The control panel text is printed directly on the stainless steel and with proper maintenance will remain dark and legible. To clean the panel, use only warm soapy water or stainless steel cleaner available from your Napoleon dealer. Never apply abrasive cleaners on any stainless surfaces, especially the printed portion of the control panel or the printing will gradually rub off.

Cleaning Inside The Gas Grill: Remove the cooking grids. Use a brass wire brush to clean loose debris from the casting sides and underneath the lid. Scrape the sear plates with a putty knife or scraper, and use a wire brush to remove the ash. Remove the sear plates and brush debris from the burners with the brass wire brush. Sweep all debris from inside the gas grill into the drip pan.



WARNING! Accumulated grease is a fire hazard.

Drip Pan: Clean the drip pan frequently (every 4 – 5 uses or as often as required) to avoid grease buildup. Grease and excess drippings pass through to the drip pan, located beneath the gas grill and accumulate in the disposable grease tray below the drip pan. To access the disposable grease tray or to clean the drip pan, slide the drip pan free of the grill. Never line the drip pan with aluminum foil, sand or any other material as this could prevent the grease from flowing properly. The pan should be scraped out with a putty knife or scraper. Replace the disposable grease tray every 2 – 4 weeks, depending on gas grill usage. For supplies, see your Napoleon Grill dealer.

Cleaning The Outer Grill Surface: Do not use abrasive cleaners or steel wool on any painted, porcelain or stainless steel parts of your Napoleon Grill. Doing so will scratch the finish. Exterior grill surfaces should be cleaned with warm soapy water while the metal is still warm to the touch. To clean stainless surfaces, use a stainless steel or a non-abrasive cleaner. Always wipe in the direction of the grain. Over time, stainless steel parts discolor when heated, usually to a golden or brown hue. This discoloration is normal and does not affect the performance of the grill. Porcelain enamel components must be handled with additional care. The baked-on enamel finish is glass-like, and will chip if struck. Touch-up enamel is available from your Napoleon Grill dealer.

Lights: The lens face can be cleaned with warm soapy water and a soft, clean rag. For stubborn stains, a small amount of degreaser may be used. Do not use abrasive cleaners as this may scratch or damage the lens.

Maintenance Instructions

We recommend this gas grill be thoroughly inspected and serviced annually by a qualified service person.

At all times keep the gas grill area free from combustible materials, gasoline and other flammable vapors and liquids. Do not obstruct the flow of ventilation and combustion air. Keep the cylinder enclosure ventilation openings (located on the cart sides and at the front and back of the bottom shelf) free and clear from debris.



WARNING! Always wear protective gloves and safety glasses when cleaning your grill.

WARNING! Turn off the gas at the source and disconnect the unit before servicing. To avoid the possibility of burns, maintenance should be done only when the grill is cool. A leak test must be performed annually and whenever any component of the gas train is replaced or gas smell is present.

Combustion Air Adjustment: (This must be done by a qualified gas installer.) The air shutter is factory set and should not need adjusting under normal conditions. Under extreme field conditions, adjustments might be required. When the air shutter is adjusted correctly the flames will be dark blue, tipped with light blue and occasionally yellow.

- With too little air flow to the burner, the flames are lazy yellow and can produce soot.
- With too much air flow, the flames lift erratically and can cause difficulties when lighting.

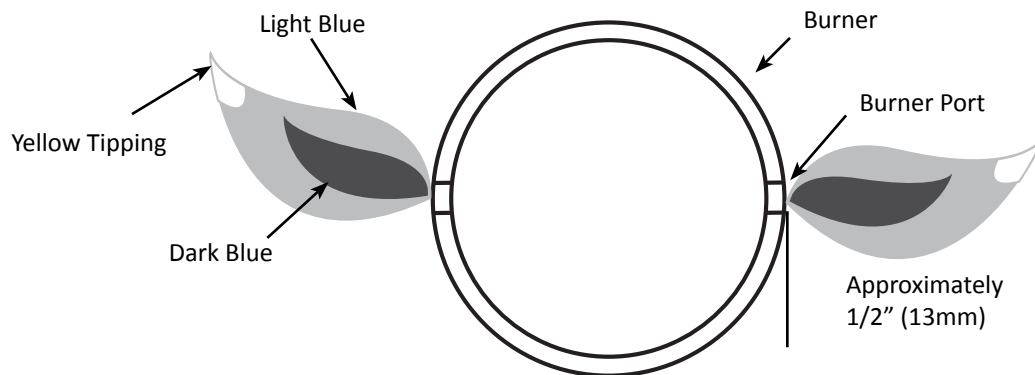
Adjusting the air shutter:

1. Remove cooking grids and sear plates and leave lid open. You may have to open the door or remove the top drawer (if equipped) to access the air-shutter screw located at the mouth of the burner. The back cover must be removed for rear tube burner air shutter adjustment.
2. Loosen air-shutter lock screw and open or close air shutter as required. The normal opening settings are:

Main Tube Burner	Propane 5/16" (8mm)	Rear Tube Burner	Propane Full Open
	Natural 1/8" (3mm)		Natural 1/8" (3mm)
Smoker Burner	Propane 1/8" (3mm)		
	Natural 1/16" (1.6mm)		

***Infra-Red burners have no air adjustment.**

3. Light the burners and set to high. Visually inspect burner flames. When the shutters are set correctly, turn burners off, tighten locking screws, and replace removed parts. Ensure that the insect screens are installed.





Burner: The burner is made from heavy wall 304 stainless steel, but extreme heat and a corrosive environment can cause surface corrosion to occur. This can be removed with a brass wire brush.

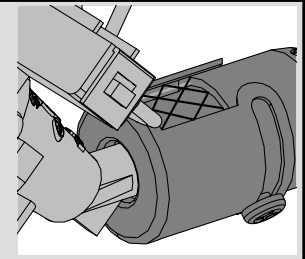
CAUTION! Beware of Spiders.

Spiders and insects are attracted to the smell of propane and natural gas. The burner is equipped with an insect screen on the air shutter, which reduces the likelihood of insects building nests inside the burner but does not entirely eliminate the problem. A nest or web can cause the burner to burn with a soft yellow or orange flame or cause a fire (flashback) at the air shutter underneath the control panel. To clean the inside of the burner, it must be removed from the gas grill: Remove the screw (s) that attaches the burner to the back wall. Slide the burner back and up wards to remove. Cleaning: Use a flexible venturi tube brush to clean the inside of the burner. Shake any loose debris from the burner through the gas inlet. Check the burner ports and valve orifices for blockages. Burner ports can close over time due to cooking debris and corrosion, use an opened paperclip or the supplied port maintenance bit to clean them. Drill out blocked ports using this drill bit in a small cordless drill. The ports are easier to clean if the burner is removed from the grill, but it can also be done with the burner installed. Do not flex the drill bit when drilling the ports, as this will cause the drill bit to break. This drill is for burner ports only, not for the brass orifices (jets) which regulate the flow into the burner. Take care not to enlarge the holes. Ensure the insect screen is clean, tight, and free of any lint or other debris.

Reinstallation: Reverse the procedure to reinstall the burner. Check that the valve enters the burner when installing. Replace sear plate mount and / or tighten screws to complete reinstallation.

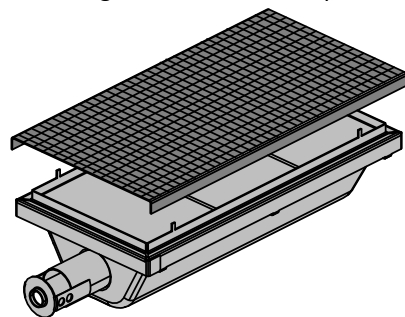


WARNING! When reinstalling the burner after cleaning it is very important that the valve/orifice enters the burner tube before lighting your gas grill. If the valve is not inside the burner tube a fire or explosion could occur.



Protection Of Infrared Burners: The infrared burners of your grill are designed to provide a long service life, though care must taken to prevent cracking of their ceramic surfaces. Fractures will cause the burners to malfunction. The following provides a few of the causes of cracks and the steps you can take to avoid them. Damage caused by failure to follow these steps is not covered by your grill warranty.

1. Impact with hard objects - Never allow hard objects to strike the ceramic. Take care when inserting or removing cooking grates and accessories into or from the grill.
2. Contact with water or other liquids - Cold liquids contacting the hot ceramic surfaces can cause them to break. Never throw water into the grill to douse a flame. If the ceramic or interior of a burner becomes wet while not in use, later operation of the burner can create steam, which can produce sufficient pressure to crack the ceramic. Repeated soaking of the ceramic can also cause it to swell and expand. This expansion causes undue pressure on the ceramic that can cause it to crack and crumble.
 - i) Never throw water into the grill to control flare-ups.
 - ii) Do not attempt to operate the infrared burners in open air while raining.
 - iii) If you find standing water in your grill (because of exposure to rainfall, sprinklers, etc.), inspect the ceramic for evidence of possible watersoaking. If the ceramic appears to be wet, remove the burner from the grill. Turn it upside down to drain the excess water and bring indoors to dry thoroughly.
3. Impaired ventilation of hot air from the grill - For the burners to function properly, hot air must have a way to escape the grill. If the hot air is not allowed to escape, the burners can become deprived of oxygen causing them to back-flash. If this occurs repeatedly, the ceramic could crack. Never cover more than 75% of the cooking surface with solid metal (i.e., griddle or large pan).
4. Incorrect cleaning - Do not clean the ceramic tile with a wire brush. If debris is collecting on your burner, light the burner and operate on high for 5 minutes with the lid open, allowing debris to burn off.



REPLACEMENT SCREEN N565-0002



WARNING! The Infrared side burner is supplied with a drip pan which holds only a minimal amount of grease. To prevent grease fires, the pan must be cleaned after each use.



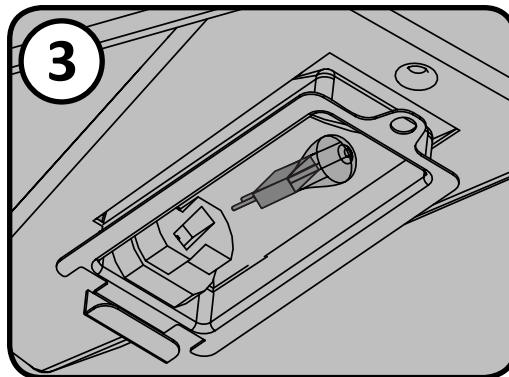
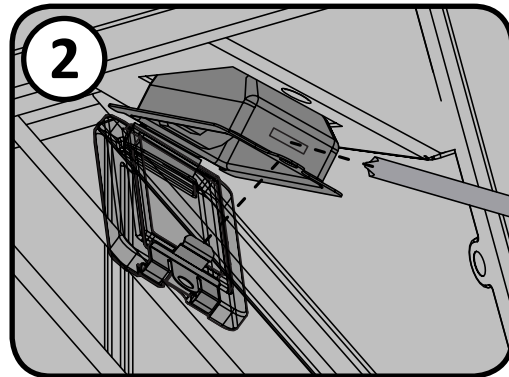
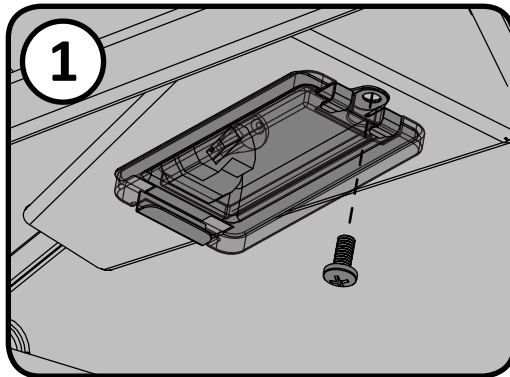
WARNING! Hose: Check for abrasions, melting, cuts, and cracks in the hose. If any of these conditions exist, do not use the gas grill. Have the part replaced by your Napoleon Grill dealer or qualified gas installer.

Aluminum Castings: Clean castings periodically with warm soapy water. Aluminum will not rust, but high temperatures and weathering can cause oxidation to occur on aluminum surfaces. This appears as white spots on the castings. To refinish these areas, clean first and sand lightly with fine sandpaper. Wipe the surface to remove any residue and paint with high temperature barbecue paint. Protect surrounding areas from over-spray. Follow the manufacture's directions for curing.



WARNING! Always wear protective gloves when changing the halogen bulb in the internal lights of your grill.

Lights: To replace the halogen bulb in your grill you must first remove the lens from the light housing. To remove the lens from the housing, remove the Philips screw securing the housing in place. Snap the lens out of the housing (including the metal bracket). Do not touch the halogen bulb with your bare hands. The oil from your fingertips will reduce the life of the bulb. With gloved hands gently pull the old bulb from the socket and replace with the new bulb. Reinstall the lens, by snapping it back into the housing and bend the tabs on the front of the housing back in to position.



Troubleshooting

Problem	Possible Causes	Solution
Low heat / Low flame when valve turned to high.	For propane - improper lighting procedure. For natural gas - undersized supply line. For both gases - improper preheating.	Ensure lighting procedure is followed carefully. All gas grill valves must be in the off position when the tank valve is turned on. Turn tank on slowly to allow pressure to equalize. See lighting instructions. Pipe must be sized according to installation code. Preheat grill with both main burners on high for 10 to 15 minutes.
Excessive flare-ups/ uneven heat.	Sear plates installed incorrectly. Improper preheating. Excessive grease and ash build on sear plates and in drip pan.	Ensure sear plates are installed with the holes towards the front and the slots on the bottom. See assembly instructions. Preheat grill with both main burners on high for 10 to 15 minutes. Clean sear plates and drip pan regularly. Do not line pan with aluminum foil. Refer to cleaning instructions.
Burners burn with yellow flame, accompanied by the smell of gas.	Possible spider web or other debris, or improper air shutter adjustment.	Thoroughly clean burner by removing. See general maintenance instructions. Open air shutter slightly according to combustion air adjustment instructions. (This must be done by a qualified gas installer.)
Flames lift away from burner, accompanied by the smell of gas, and possibly difficulties in lighting.	Improper air shutter adjustment.	Close air shutter slightly according to combustion air adjustment instructions. (This must be done by a qualified gas installer.)
Main burner will not light with the igniter, but will light with a match.	Jet-fire outlet is dirty or clogged.	Clean jet-fire outlet with a soft bristle brush.
Humming regulator.	Normal occurrence on hot days.	This is not a defect. It is caused by internal vibrations in the regulator and does not affect the performance or safety of the gas grill. Humming regulators will not be replaced.
Burners will not cross light each other.	Dirty or corroded cross light brackets.	Clean or replace as required.
"Paint" appears to be peeling inside lid or hood.	Grease build-up on inside surfaces.	This is not a defect. The finish on the lid and hood is porcelain, and will not peel. The peeling is caused by hardened grease, which dries into paint-like shards that flake off. Regular cleaning will prevent this. See cleaning instructions.
Burner output on "high" setting is too low. (Rumbling noise and fluttering blue flame at burner surface.)	Lack of gas. Supply hose is pinched. Dirty or clogged orifice. Spider webs or other matter in venturi tube. Propane regulator in "low flow" state.	Check gas level in propane cylinder. Reposition supply hose as necessary. Clean burner orifice. Clean out venturi tube. Ensure lighting procedure is followed carefully. All gas grill valves must be in the off position when the tank valve is turned on. Turn tank on slowly to allow pressure to equalize. See lighting instructions.

Problem	Possible Causes	Solution
Infrared burner (if equipped) flashes back (during operation the burner abruptly makes a loud “whoosh” sound, followed by a continuous blow-torch type sound and grows dim.)	<p>Ceramic tiles overloaded with grease drippings and build-up. Ports are clogged.</p> <p>Burner overheated due to inadequate ventilation (too much grill surface covered by griddle or pan.)</p> <p>Cracked ceramic tile.</p> <p>Leaking gasket surrounding the ceramic tile, or a weld failure in the burner housing.</p>	<p>Turn burner off and allow to cool for at least two minutes. Relight burner and burn on high for at least five minutes or until the ceramic tiles are evenly glowing red.</p> <p>Ensure that no more than 75% of the grill surface is covered by objects or accessories. Turn burner off and allow to cool for at least two minutes, then relight.</p> <p>Allow burner to cool and inspect very closely for cracks. If any cracks are found, contact your authorized Napoleon dealer to order a replacement burner assembly.</p> <p>Contact your authorized Napoleon dealer for instructions on ordering a replacement burner assembly.</p>
Electronic Ignition not working.	<p>Unit not connected to power.</p> <p>Blown Fuse.</p> <p>Faulty transformer.</p> <p>Terminals on switch or circuit board are corroded or loose.</p> <p>Faulty igniter.</p> <p>Dirty or corroded electrodes.</p>	<p>Plug power cord (from working GFI protected outlet) into electrical box on the back of the grill. Plug transformer cord into power box.</p> <p>Replace fuse located on outlet line of transformer.</p> <p>Check transformer output – should be 12VAC. Replace if required.</p> <p>Clean connections and ensure connectors are pushed together firmly. Access to circuit board is under electrical cover on left side of cabinet.</p> <p>Replace igniter – located under electrical cover.</p> <p>Clean or replace as required.</p>
Oven and control panel lights not working	<p>Unit not connected to power.</p> <p>Blown fuse.</p> <p>Faulty transformer.</p> <p>Terminals on switch or circuit board are corroded or loose.</p> <p>Bulbs blown (oven lights only).</p>	<p>Plug power cord (from working GFI protected outlet) into electrical box on the back of the grill. Plug transformer cord into power box.</p> <p>Replace fuse located on outlet line of transformer.</p> <p>Check transformer output – should be 12VAC. Replace if required.</p> <p>Clean connections and ensure connectors are pushed together firmly. Access to circuit board is under electrical cover on left side of cabinet.</p> <p>Replace bulbs as per the instructions in the maintenance section of the manual.</p>

KEEP YOUR RECEIPT AS PROOF OF PURCHASE TO VALIDATE YOUR WARRANTY.

Ordering Replacement Parts

Warranty Information

MODEL: _____

DATE OF PURCHASE: _____

SERIAL NUMBER: _____

(Record information here for easy reference)

Before contacting the Customer Solutions Department, check the Napoleon Grills Website for more extensive cleaning, maintenance, troubleshooting and parts replacement instructions at www.napoleongrills.com. Contact the factory directly for replacement parts and warranty claims. Our Customer Solutions Department is available between 9 AM and 5 PM (Eastern Standard Time) at 1-866-820-8686, fax at 1-705-727-4282 or e-mail grills@napoleonproducts.com. To process a claim, we must be provided with the following information:

1. Model and serial number of the unit.
2. Part number and description.
3. A concise description of the problem ('broken' is not sufficient).
4. Proof of purchase (photocopy of the invoice).

In some cases the Customer Solutions Representative could request to have the parts returned to the factory for inspection before providing replacement parts. These parts must be shipped prepaid to the attention of the Customer Solutions Department with the following information enclosed:

1. Model and serial number of the unit.
2. A concise description of the problem ('broken' is not sufficient).
3. Proof of purchase (photocopy of the invoice).
4. Return Authorization Number - provided by the Customer Solutions Representative.

Before contacting Customer Solutions Representative, please note that the following items are not covered by the warranty:

- Costs for transportation, brokerage or export duties.
- Labour costs for removal and reinstallation.
- Costs for service calls to diagnose problems.
- Discoloration of stainless steel parts.
- Part failure due to lack of cleaning and maintenance, or use of improper cleaners (oven cleaner or other harsh chemicals).

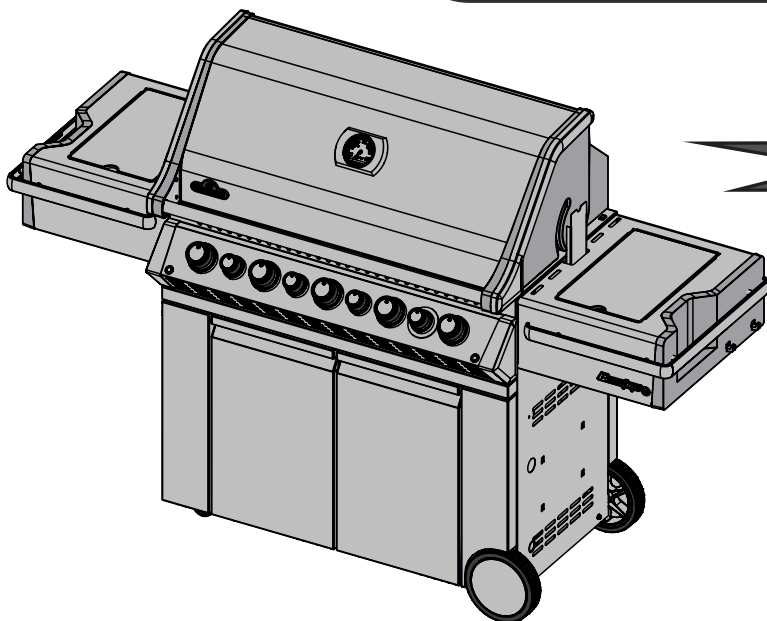
Notes

EN

Ce gril doit être utilisé uniquement à l'extérieur, dans un endroit bien aéré et ne doit jamais être utilisé à l'intérieur d'un bâtiment, d'un garage, un gazebo, une véranda avec paramoustique, ou de tout autre endroit fermé.



FR



DANGER

SI VOUS DÉTECTEZ UNE ODEUR DE GAZ :

- Fermez l'alimentation en gaz à l'appareil.
- Éteignez toute flamme nue.
- Ouvrez le couvercle.
- Si l'odeur persiste, éloignez-vous de l'appareil et appelez immédiatement votre fournisseur de gaz ou le service des incendies.



AVERTISSEMENT

Ne tentez pas d'allumer cet appareil avant d'avoir lu la section "INSTRUCTIONS D'ALLUMAGE" de ce manuel.

Pour votre sécurité n'entrez pas et n'utilisez pas d'essence ou autres liquides et vapeurs inflammables à proximité de cet ou tout autre appareil. Une bonbonne de propane de propane non branchée ne devrait pas être entreposée à proximité de cet ou de tout autre appareil. Si ces instructions ne sont pas suivies à la lettre, un feu ou une explosion pourraient s'ensuivre, causant des dommages à la propriété, des blessures corporelles ou des pertes de vie.

Les adultes et particulièrement les enfants doivent être sensibilisés aux risques que représentent les surfaces exposées à des températures élevées. Surveillez les jeunes enfants lorsqu'ils sont près du gril.

Note à l'installateur : Laissez ces instructions au propriétaire du gril pour consultation ultérieure.

Système de qualité certifié
ISO
9001-2008
N415-0407 APR 18.16

Napoleon Group of Companies
214 Bayview Dr., Barrie, Ontario, Canada L4N 4Y8
Phone: 1-705-726-4278 Fax: (705)-727-4282

www.napoleongrills.com

Customer Solutions: 1-866-820-8686 or grills@napoleonproducts.com



Les grils à gaz NAPOLÉON sont fabriqués conformément aux normes strictes du Certificat d'assurance de qualité mondiale reconnues ISO 9001-2008.

Les produits NAPOLÉON sont conçus avec des composantes et des matériaux de qualité supérieure, assemblés par des artisans qualifiés qui sont fiers de leur travail. Le brûleur et le montage de la soupape subissent un test de détection de fuites et d'allumage à une station de test de qualité et sont soigneusement inspectés par un technicien qualifié avant d'être emballés et expédiés pour garantir que vous, le client, recevez le produit de qualité dont vous attendez de NAPOLÉON.

Garantie à Vie Limitée du Président des grils à gaz Napoléon

NAPOLÉON garantit que les composants de votre nouveau produit NAPOLÉON seront exempts de défauts de matériau ou de fabrication à compter de la date de l'achat, et ce, pour la durée suivante :

Pièces en fonte d'aluminium/base en acier inoxydable	À vie
Couvercle en acier inoxydable	À vie
Couvercle en porcelaine émaillée	À vie
Grilles de cuisson en acier inoxydable	À vie
Brûleurs tubulaires en acier inoxydable	10 ans ^{plus5}
Plaques de brûleur en acier inoxydable	5 ans ^{plus5}
Grilles de cuisson en fonte émaillée	5 ans ^{plus5}
Brûleur arrière infrarouge en acier inoxydable	5 ans
Brûleur arrière infrarouge en céramique (excluant le grillage)	3 ans
Brûleurs de cuve et latéral infrarouge en céramique (excluant le grillage)	2 ans
Toutes les autres pièces	2 ans

^{plus5} indique une période de garantie prolongée de cinq ans durant laquelle la pièce de rechange sera offerte au client à la moitié du prix de détail courant. Les accessoires et les articles en boni ne sont pas couverts par cette garantie.

Conditions et limitations

NAPOLÉON garantit ses produits contre les défauts de fabrication à l'acheteur d'origine seulement, à condition que l'achat ait été fait par l'entremise d'un détaillant NAPOLÉON autorisé et sous réserve des conditions et limitations suivantes :

Cette garantie du fabricant n'est pas transférable et ne peut être prolongée ou étendue par aucun de nos représentants, quelle qu'en soit la raison.

Le gril à gaz doit être installé par un installateur ou entrepreneur qualifié. L'installation doit être faite conformément aux instructions d'installation incluses avec le produit et à tous les codes d'incendie et de construction locaux et nationaux.

Cette garantie limitée ne couvre pas les dommages causés par un mauvais usage, un manque d'entretien, des feux de graisse, un environnement inadéquat, un accident, des altérations, des abus ou de la négligence, et l'installation de pièces d'autres fabricants annulera cette garantie. La décoloration des composants de plastique causée par des produits d'entretien chimiques ou l'exposition aux rayons UV n'est pas couverte par cette garantie.

Cette garantie limitée ne couvre pas non plus les égratignures, les bossellements, les surfaces peintes, la corrosion ou la décoloration causés par la chaleur ou les produits d'entretien chimiques et abrasifs ni l'écaillage des pièces en porcelaine émaillée ni les composants utilisés dans l'installation du gril à gaz.

Dans le cas d'une détérioration des composants causant un mauvais fonctionnement de l'appareil (perforation par la rouille ou la surchauffe) pendant la période couverte par la garantie, les pièces de rechange seront fournies par Napoléon.

Au cours de la première année seulement, cette garantie s'étend au remplacement des pièces garanties dont les matériaux ou la fabrication sont défectueux sous condition que le produit ait été utilisé conformément aux instructions de fonctionnement et dans des conditions normales.

Après la première année, concernant cette Garantie à Vie Limitée du Président, NAPOLÉON peut, à sa discrétion, se libérer entièrement de toute obligation en ce qui concerne cette garantie en remboursant à l'acheteur d'origine le prix de gros de toute pièce garantie qui est défectueuse.

NAPOLÉON ne sera pas responsable de l'installation, de la main-d'oeuvre ou autres coûts et dépenses relatifs à la réinstallation d'une pièce garantie et de telles dépenses ne sont pas couvertes par cette garantie.

Nonobstant toutes les dispositions contenues dans la Garantie à Vie Limitée du Président, la responsabilité de NAPOLÉON sous cette garantie est définie comme ci-dessus et elle ne s'étendra à aucun dommage accidentel, consécutif ou indirect.

Cette garantie définit l'obligation et la responsabilité de NAPOLÉON en ce qui concerne le gril à gaz NAPOLÉON. Toute autre garantie énoncée ou implicite concernant ce produit, ses composants ou accessoires est exclue.

NAPOLÉON n'endosse ni n'autorise aucun tiers à assumer en son nom, toute autre responsabilité concernant la vente de ce produit.

NAPOLÉON ne sera pas responsable d'une surchauffe ou d'une explosion causée par des conditions environnementales telles que des vents forts ou une ventilation inadéquate.

Tous dommages causés au gril à gaz par les intempéries, la grêle, un usage abusif ou l'utilisation de produits d'entretien chimiques ou abrasifs ne seront pas la responsabilité de NAPOLÉON.

La facture ou une copie sera requise ainsi que le numéro de série et le numéro de modèle lors d'une réclamation auprès de NAPOLÉON.

NAPOLÉON se réserve le droit de demander à son représentant d'inspecter tous produits ou pièces avant d'honorer toute réclamation.

NAPOLÉON n'assumera aucuns frais de transport, de main-d'oeuvre ou taxes d'exportation.



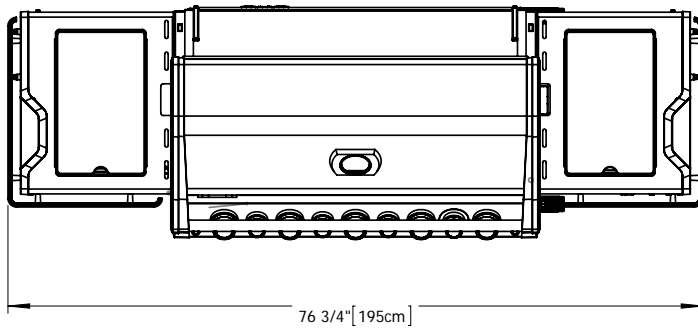
AVERTISSEMENT! Si ces instructions ne sont pas suivies, des dommages matériels, des blessures corporelles ou des pertes de vie pourraient s'ensuivre. Lisez et respectez tous les avertissements et les instructions de ce manuel avant de faire fonctionner le grill.

Pratiques Sécuritaires D'utilisation

- Ce grill à gaz doit être assemblé conformément aux instructions du manuel. Si le grill a été assemblé en magasin, vous devez réviser les instructions d'assemblage afin de confirmer que le grill ait été assemblé correctement et aussi pour effectuer un test de détection de fuite avant d'utiliser le grill.
- Lire le manuel d'instructions au complet avant d'utiliser le grill.
- Ce grill doit être utilisé uniquement à l'extérieur, dans un endroit bien aéré et ne doit jamais être utilisé à l'intérieur d'un bâtiment, d'un garage, un gazebo, une véranda avec paramoustique, ou de tout autre endroit fermé.
- Ce grill à gaz n'est pas conçu pour être installé dans ou sur des véhicules récréatifs et/ou des bateaux.
- N'installez pas le grill dans un endroit venteux. Les vents forts nuiront à la performance de cuisson de votre grill.
- Ce grill ne devra être modifié en aucun cas.
- Ne pas utiliser le grill sous une construction inflammable quels.
- Respecter les dégagements recommandés des matériaux inflammables 27" (685mm) à l'arrière du grill et 7" (178mm) sur les côtés). Une distance plus grande 32" (810mm) est recommandée à proximité d'un recouvrement de vinyle ou d'une surface vitrée.
- Lorsque le grill n'est pas utilisé, l'alimentation en gaz doit être fermée à la bonbonne de propane ou à la soupape d'alimentation du gaz naturel.
- Ne pas tenter d'utiliser une bonbonne qui n'est pas équipée d'un raccord de type QCC1.
- Lorsque la bonbonne de propane n'est pas débranchée du grill, la bonbonne et le grill doivent être entreposés à l'extérieur, dans un endroit bien aéré.
- Lorsque le grill doit être entreposé à l'intérieur, la bonbonne de propane doit être débranchée du grill et entreposée à l'extérieur dans un endroit bien aéré, hors de la portée des enfants. Les bonbonnes de propane ne doivent en aucun temps être entreposées à l'intérieur d'un bâtiment, d'un garage ou de tout autre endroit fermé. Les appareils au gaz naturel doivent être débranchés de leur source d'alimentation en gaz lorsqu'ils sont entreposés à l'intérieur.
- Inspectez le tuyau d'alimentation en gaz avant chaque utilisation. S'il montre des signes de fendillement excessif, d'usure ou s'il est coupé, il doit être remplacé régulateur de pression et le tuyau par un ensemble de rechange spécifié par le fabricant avant d'utiliser le grill.
- Ne pas passer le tuyau d'alimentation sous le tiroir d'égouttement afin de garder une distance raisonnable entre le tuyau et le fond du grill.
- Ne faites pas passer le tuyau d'alimentation en gaz derrière la patte avant. Le tuyau doit passer devant la patte avant afin de respecter le dégagement recommandé entre le tuyau et le fond de l'appareil (si c'est approprié).
- Faire un test de fuites avant la première utilisation, annuellement et à chaque fois qu'une composante de gaz est changée.
- Suivre les instructions d'allumage à la lettre lorsque vous utilisez votre grill.
- Les soupapes des brûleurs doivent être fermées lorsque vous ouvrez la soupape d'alimentation en gaz.
- Le couvercle doit être fermé lors de la période de préchauffage du grill sur tous les modèles à l'exception du BISZ300NFT/PFT et du brûleur latéral BISB245.
- Votre grill encastré (BISZ300NFT/PFT) et brûleur latéral (BISB245) est fourni avec un couvercle plat servant pour le rangement et la protection contre les intempéries. Ne placez jamais ce couvercle sur le grill lorsque celui-ci est chaud ou en fonction. Laissez le grill refroidir complètement avant de placer le couvercle.
- Les adultes et particulièrement les enfants doivent être sensibilisés aux risques que représentent les surfaces exposées à des températures élevées. Surveillez les jeunes enfants lorsqu'ils sont près du grill.
- Ne pas laisser le grill sans surveillance lorsqu'il est allumé.
- Ne pas allumer le grill avec le couvercle fermé.
- Ne pas utiliser le brûleur arrière en même temps que le brûleur principal.
- Ne pas déplacer le grill pendant qu'il fonctionne ou qu'il est chaud.
- N'utilisez pas le plateau à condiments pour entreposer des briquets, des allumettes ou autres matériaux inflammables.
- Gardez les fils électriques et les tuyaux d'alimentation en gaz éloignés des surfaces chauffantes.
- S'assurer que les plaques du brûleur sont bien en place selon le livre d'instructions. Les trous doivent être placés vers l'avant du grill (si c'est approprié).
- Nettoyer le tiroir d'égouttement et les plaques du brûleur régulièrement pour éviter les feux de graisse.
- Enlever la grille-réchaud avant d'allumer le brûleur arrière. La chaleur intense pourrait l'endommager.
- Inspecter les tubes de venturi des brûleurs infrarouges pour de toiles d'araignées ou toutes autres obstructions régulièrement.
- Ne pas permettre à l'eau froide (pluie, arrosoir, boyeau d'arrosage etc) de venir en contact avec le grill chaud. Une grande différence de température pourrait causer l'éclatement de la porcelaine.
- Ne pas permettre à l'eau froide (pluie, arrosoir, boyeau d'arrosage etc) de venir en contact avec les brûleurs en céramique.
- N'utilisez pas un pulvérisateur pour nettoyer l'appareil.

DIMENSIONS

FR

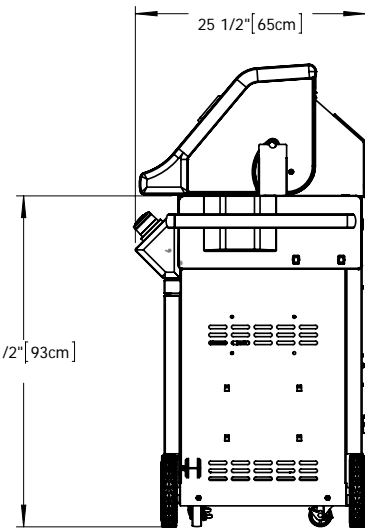
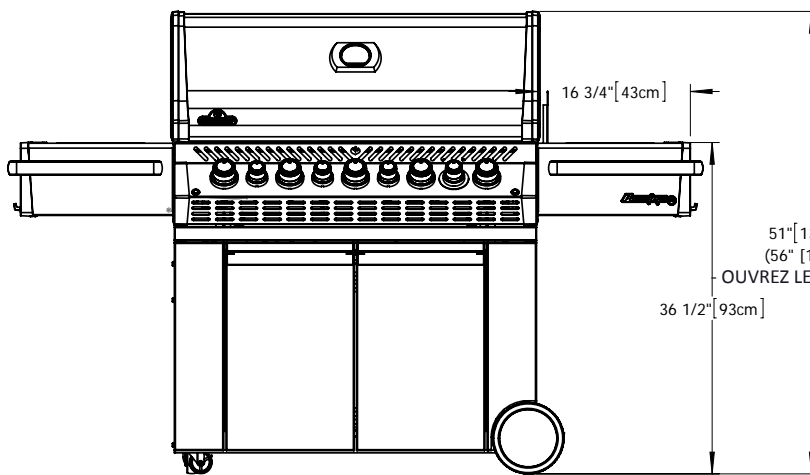


PRO665 GRILL

DIMENSIONS GRILLE: 665 in² (4324 cm²)

DIMENSIONS GRILLE DE RÉCHAUD: 345 in² (2185 cm²)

TOUS LES DIMENSIONS SONT APPROXIMATIVES



Information Générale

Ce gril à gaz est certifié selon les normes nationales Canadiennes et Américaines, CSA 1.6b-2012 et ANSI Z21.58b-2012 respectivement pour des grils à gaz pour l'extérieur et son installation devrait être conforme aux codes locaux. En l'absence de codes locaux, installez selon les normes courantes CAN/CSA-B149.1 du code d'installation du gaz naturel et de Propane au Canada ou selon les normes ANSI Z223.1 du "National Fuel Gas" aux États-Unis.

Si un moteur de rôtissoire est utilisé, il doit être électriquement mis à la terre conformément aux codes locaux ou, en l'absence de tels codes, conformément à la version courante du code CSA C22.1 électrique canadien ou au code ANSI/NFPA 70 aux États-Unis.

Proposition 65 de la Californie : La combustion de gaz crée des sous-produits, parmi lesquels certains se retrouvent sur la liste de substances connues par l'état de Californie comme causant le cancer ou autres dangers pour la reproduction. Lorsque vous cuisinez avec le gaz, assurez-vous de toujours avoir une ventilation adéquate afin de minimiser l'exposition à ces substances.

Spécifications Pour La Bonbonne De Propane



AVERTISSEMENT! Si ces instructions ne sont pas suivies à la lettre, un incendie pourrait s'ensuire, causant des blessures graves ou la mort.

AVERTISSEMENT! Ne rangez pas de cylindre de propane de recharge sur la tablette sous le gril.

Si le gril est alimenté en propane à partir d'un cylindre portatif, vous devez utiliser un régulateur recommandé par le fabricant. Le régulateur doit fournir une pression de 11 pouces de colonne d'eau (0,39 lb/po²) au gril et posséder un raccord de type QCC1. Les cylindres utilisés avec ce gril doivent être munis d'une soupape QCC1. Un cylindre QCC1 possède un raccord qui empêche l'écoulement du gaz jusqu'à ce qu'un joint étanche soit obtenu. Il est aussi équipé d'un dispositif de contrôle d'écoulement du gaz. Afin d'obtenir un débit maximal de gaz, les soupapes du gril doivent être fermées lorsque vous ouvrez la soupape du cylindre.

Un cylindre bosselé ou rouillé peut être dangereux et devrait être vérifié par votre fournisseur de propane. N'utilisez jamais un cylindre avec une soupape endommagée. Utilisez uniquement un cylindre de propane fabriqué et étiqueté selon la Norme nationale du Canada CAN/CSA-b339, «Bouteilles et tubes utilisés pour le transport des marchandises dangereuses»; et selon la norme de la Commission canadienne des Transports, s'il y a lieu, ou selon la norme du "US Department of Transportation (DOT)". Les modèles avec chariot ont été conçus pour être utilisés avec un cylindre de propane de 20 livres (9,1 kg) uniquement (non fourni).

Le cylindre de propane doit être équipé d'un système de raccordement compatible avec le raccord des appareils de cuisson extérieurs. Le cylindre de propane doit être équipé d'une soupape d'arrêt se raccordant à une soupape de type QCC1. Une valve de sécurité doit être branchée directement sur le cylindre. Le système d'alimentation du cylindre doit être installé de manière à permettre l'évacuation des vapeurs et doit avoir un collet pour protéger la soupape du cylindre. Le cylindre doit être muni d'un dispositif de détection de trop-plein. Ne rangez pas de cylindre de propane de recharge sous cet appareil ou à proximité. Ne remplissez jamais le cylindre à plus de 80 pour cent de sa pleine capacité. Si les consignes ci-dessus ne sont pas suivies à la lettre, un feu pourrait s'ensuire, causant des blessures corporelles ou des pertes de vie.

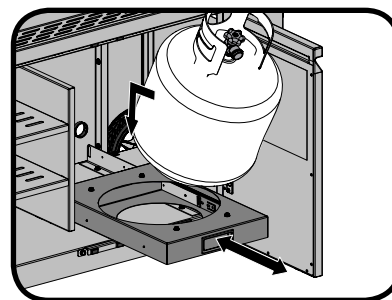
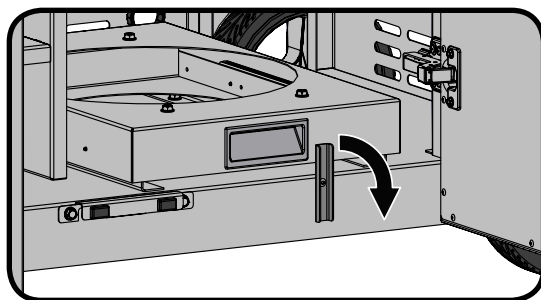
L'installation doit être conforme à la norme CAN B149.1 du Code d'installation du gaz naturel et du propane au Canada, ou à la norme ANSI Z223.1 du Nat

Instructions De Branchement Du Gaz

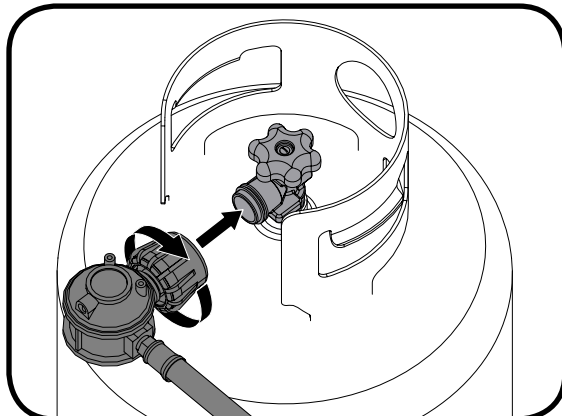


AVERTISSEMENT! Le tuyau doit être fixé de façon à ce qu'aucune partie du boyau ne touche le dessous du gril ou le tiroir d'égouttement. Si vous ne suivez pas ces instructions à la lettre, un feu en résultera.

Installation Bouteille de Propane: Cylindre Set dans le plateau dans la tablette du bas. D'autres bouteilles peuvent être acceptables à condition qu'ils s'adaptent pas correctement dans l'anneau de bassin de rétention.



Raccord de La Bonbonne: Assurez-vous que le tuyau du régulateur de gaz est sans anomalie. Enlevez les bouchons sur la soupape de gaz à la bonbonne. Connectez le régulateur QCC1 sur la soupape de gaz QCC1. Serrez à la main dans le sens des aiguilles d'une montre. N'utilisez pas d'outil. Faites un test de fuites sur tous les raccords avant d'utiliser le gril. Un test de fuites doit être fait annuellement et à chaque fois qu'une bonbonne est remplacée ou qu'une pièce du système de gaz est remplacée.



Si le gril est branché directement au réservoir de propane de la maison, suivez les instructions pour le branchement au gaz naturel. Assurez-vous que la pression d'alimentation au gril soit de 11 pouces de colonne d'eau.

Branchement au Gaz Naturel: Ce gril à gaz naturel est équipé d'un tuyau d'alimentation de (complet avec un système de débranchement rapide) conçu pour un branchement au gaz naturel et certifié pour une utilisation extérieure. La tuyauterie et les soupapes en amont du système de débranchement rapide ne sont pas fournies.

Le système de débranchement rapide ne doit pas être installé verticalement et une soupape d'arrêt manuelle facilement accessible doit être installée en amont, et aussi près que possible du système de débranchement rapide. Le bout évasé du tuyau doit être raccordé à l'unité comme montré. Ces raccords doivent être faits par un installateur de gaz qualifié.

Raccordez le bout évasé du tuyau au raccord qui est au bout du tube collecteur. Resserrez avec une clé. (N'utilisez pas de scellant/enduit à tuyaux). L'installation doit être conforme à la norme CAN B149.1 du Code d'installation du gaz naturel et du propane au Canada, ou à la norme ANSI Z223.1 du National Fuel Gas Code aux États-Unis. Vous devez avoir une pipe de conducteur hors du quat d'adé de gaz pour fournir ce gril le gaz de BTU/h indiqué sur la plaque de contrôle, basée sur la longueur de la course de tuyauterie.



AVERTISSEMENT!

- L'installation doit être effectuée par un installateur certifié pour le gaz et tous les raccords doivent être testés pour des fuites avant de faire fonctionner le gril.
- Ne pas passer le tuyau d'alimentation sous le tiroir d'égouttement.
- Ne passez pas le boyau entre l'espace dans la tablette inférieure et le panneau arrière.
- N'acheminez pas le boyau par-dessus le panneau arrière.
- Assurez-vous que tous les raccords de boyaux sont serrés à l'aide de deux clés. N'utilisez pas de ruban de Téflon ou de composé pour raccord de tuyau sur les raccords.
- Vérifiez pour des fuites de gaz en appliquant une solution d'eau savonneuse selon les instructions de détection de fuites dans de manuel.
- Assurez-vous que le boyau ne touche à aucune surface à haute température sinon il risque de fondre, de provoquer une fuite et causer un feu.
- Cet appareil de cuisson extérieur au gaz et sa soupape d'arrêt doivent être débranchés de la ligne d'alimentation en gaz pendant les essais de pression de ce système lorsque les pressions d'essai excèdent 1/2 lb/po² (3,5 kPa).
- Cet appareil de cuisson extérieur au gaz doit être séparé de la ligne d'alimentation en gaz en fermant la soupape d'arrêt manuelle pendant tout essai de pression du système d'alimentation en gaz lorsque la pression est de 1/2 lb/po² (3,5 kPa) ou moins.

Précautions électriques



AVERTISSEMENT! Omettre de suivre ces instructions peut entraîner des dommages matériels, des blessures corporelles ou des pertes de vie.

- Afin de se protéger contre les décharges électriques, ne plongez pas le cordon ni les fiches dans l'eau ou tout autre liquide.
- Débranchez le cordon de la prise lorsque l'appareil n'est pas utilisé et avant d'effectuer un nettoyage. Laissez l'appareil refroidir avant d'installer ou de retirer des composants.
- Ne faites pas fonctionner d'appareils de cuisson extérieurs au gaz si la fiche ou le cordon est abîmé, si l'appareil présente un problème de fonctionnement ou est endommagé de quelques façons. Contactez le fabricant pour une réparation.
- Ne laissez pas le cordon suspendre sur le bord d'une table ni toucher des surfaces chaudes.
- N'utilisez pas un appareil de cuisson extérieur au gaz à des fins autres que celles pour lesquelles il est destiné.
- Lors du branchement, branchez d'abord la fiche à l'appareil de cuisson extérieur au gaz puis branchez ensuite l'appareil dans la prise de courant.
- Branchez l'appareil de cuisson extérieur au gaz seulement sur un circuit muni d'une prise avec interrupteur de défaut à la terre.
- Ne retirez jamais la broche de mise à la terre de la fiche et n'utilisez pas avec un adaptateur à deux broches.
- Utilisez seulement des rallonges munies d'une fiche à trois broches de calibre suffisant pour la puissance de cet appareil, approuvées pour utilisation extérieure et identifiées W-A.

FR

Test De Détection De Fuites



AVERTISSEMENT! Il doit être fait avant la première utilisation, annuellement et à chaque fois qu'une pièce du système de gaz est remplacée ou réparée



AVERTISSEMENT! N'utilisez pas une flamme nue pour vérifier pour des fuites de gaz. Assurez-vous qu'il n'y ait aucune étincelle ni flamme nue à proximité de l'endroit à vérifier. Les étincelles ou les flammes nues provoqueront un feu ou une explosion, causant des dommages matériels, des blessures graves ou des pertes de vie.

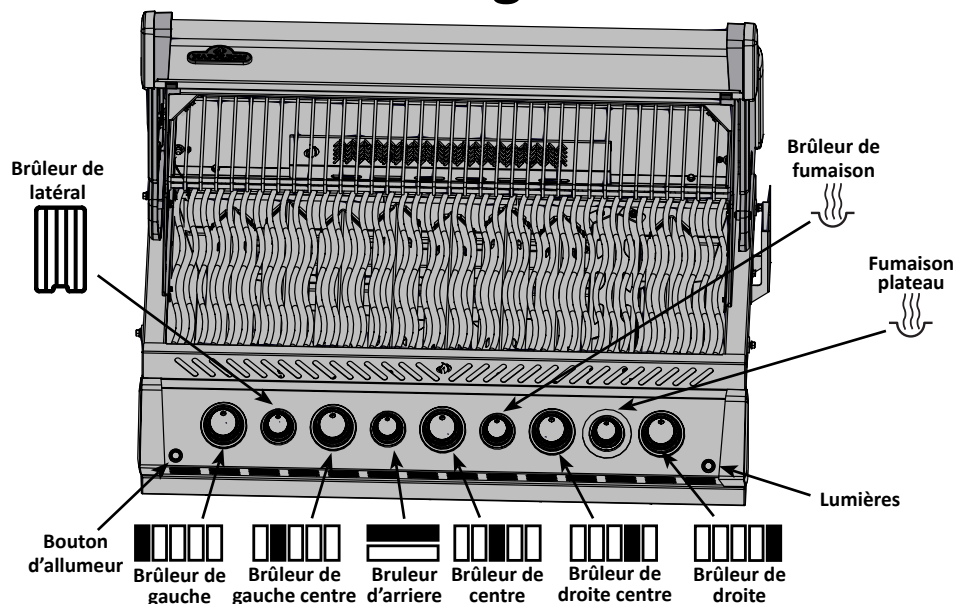


Test De Fuites: Il doit être fait avant la première utilisation, annuellement et à chaque fois qu'une pièce du système de gaz est remplacée ou réparée. Ne fumez pas et enlevez toutes sources d'allumage lorsque vous faites ce test. Consultez le schéma de test de fuites pour voir les endroits à tester.

- 1 - Fermez tous les boutons des brûleurs. Ouvrez la soupape de la bonbonne.
- 2 - Appliquez une solution de deux parts égales de savon liquide et d'eau sur tous les joints du régulateur, le tuyau et ses raccords.
- 3 - Des bulles indiqueront une fuite de gaz. Resserrez le joint ou remplacez la pièce avec une autre recommandée par le détaillant.
- 4 - Si la fuite ne peut être réparée, **fermez l'alimentation de gaz à la bonbonne**, enlevez-la et faites inspecter votre gril par votre fournisseur de gaz ou détaillant. N'utilisez pas l'appareil jusqu'à ce que la fuite soit réparée.
- 5 - Fermez la soupape de la bonbonne.

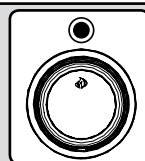
Instruction D'allumage

FR



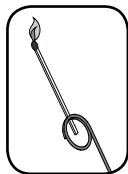
AVERTISSEMENT! Ouvrez le couvercle

Fermez



AVERTISSEMENT! Fermez tous les boutons de contrôle des brûleurs, ouvrez la soupape d'alimentation en gaz lentement.

Allumage du brûleur principal	Allumage brûleur de fumaison	Allumage du brûleur arrière (si équipé)	Allumage du brûleur latéral (si équipé)
1. Ouvrez le couvercle.	1. Ouvrez le couvercle.	1. Ouvrez le couvercle.	1. Ouvrez le couvercle du brûleur.
2. Enfoncez et tournez lentement l'un des boutons de contrôle du brûleur principal à la position « hi ». Si la veilleuse s'allume, maintenez enfoncé le bouton de contrôle jusqu'à ce que le brûleur s'allume, puis relâchez-le.	2. Appuyez et tournez le bouton de contrôle du brûleur de fumaison à « hi ». Appuyez et maintenez l'allumeur électronique enfoncé jusqu'à ce que le brûleur s'allume ou allumez avec une allumette.	2. Enlevez la grille-réchaud.	2. Appuyez et trounez le bouton de contrôle du brûleur latéral à "hi".
3. Si la veilleuse ne s'allume pas, tournez immédiatement le bouton de contrôle en position « off » et répétez l'étape 2 plusieurs fois.	3. Appuyez et maintenez l'allumeur électronique enfoncé jusqu'à ce que le brûleur s'allume ou allumez avec une allumette.	3. Appuyez et tournez le bouton de contrôle du brûleur arrière au maximum.	3. Appuyez et maintenez l'allumeur électronique enfoncé jusqu'à ce que le brûleur s'allume ou allumez avec une allumette.
4. Si la veilleuse ou le brûleur ne s'allument pas après 5 secondes, tournez le bouton de contrôle en position « off » et attendez 5 minutes pour que le gaz en excès puisse se dissiper. Ensuite, répétez les étapes 2 et 3 ou allumez avec une allumette.	4. Si le brûleur ne s'allume pas en moins de 5 secondes, tournez le bouton de contrôle à « off » et attendez 5 minutes pour permettre au surplus de gaz de se dissiper. Répétez l'étape 2.	4. Appuyez et gardez enfoncé l'allumeur jusqu'à ce que le brûleur s'allume ou allumez avec une allumette.	4. Si le brûleur ne s'allume pas en moins de 5 secondes, tournez le bouton de contrôle à « off » et attendez 5 minutes pour permettre au surplus de gaz de se dissiper. Répétez l'étape 2.
5. Si vous allumez l'appareil avec une allumette, fixez-la dans la tige d'allumage fournie. Tenez l'allumette allumée et abaissez-la dans le gril jusqu'en dessous des plaques de brûleur et tournez la soupape du brûleur correspondant à "HIGH".		5. Si le brûleur ne s'allume pas en moins de 5 secondes, tournez le bouton de contrôle à 'off' et attendez 5 minutes pour permettre au surplus de gaz de se dissiper. Répétez les étapes 2.	



AVERTISSEMENT! La bonbonne est équipée d'un dispositif de contrôle d'écoulement du gaz. À moins que tous les boutons des brûleurs soient fermés avant d'ouvrir la bonbonne, seules de petites flammes seront obtenues.

AVERTISSEMENT! N'utilisez jamais le brûleur arrière avec le brûleur principal.

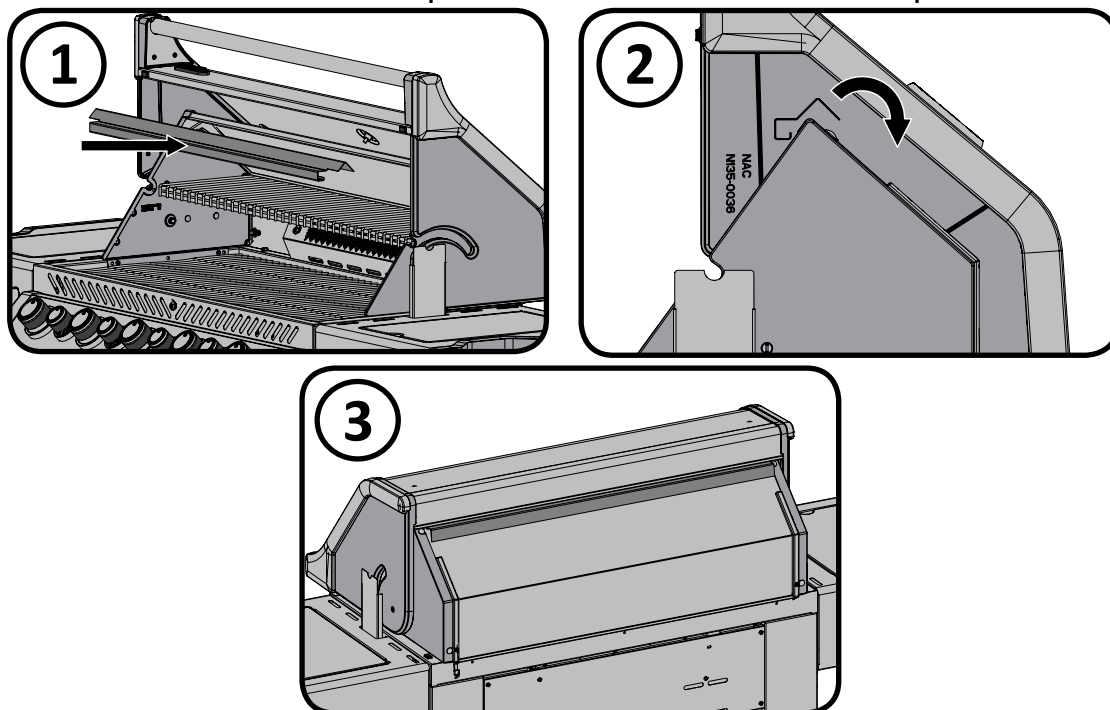
Instructions D'opération

Éclairage initial: Lorsqu'il est allumé pour la première fois, le grill dégagera une légère odeur. Ceci est un phénomène normal et temporaire causé par l'évaporation des peintures et lubrifiants internes utilisés dans le processus de fabrication et ne se reproduira plus. Allumez simplement les brûleurs de cuve à "high" pendant une demi-heure.

N'installez pas ce grill à gaz dans un endroit venteux. Les vents forts nuiront à la performance de cuisson de votre grill à gaz. Dans des conditions extrêmes de grands vents soutenus arrivant directement à l'arrière de l'unité, la chaleur du grill peut évacuer sous le panneau de commande. Le panneau de commande peut ainsi devenir extrêmement chaud au toucher et les boutons de commande risquent de se déformer.

Napoléon vous offre un déflecteur optionnel illustré ci-dessous. Installez ce déflecteur pour aider à éviter les possibles accumulations de chaleur inappropriées.

NOTE! Napoléon ne sera pas responsable d'une surchauffe ou d'une extinction causée par des conditions environnementales telles que des vents forts ou une ventilation inadéquate.



Utilisation Du Brûleur Principal: Avant de cuire les aliments il est recommandé de préchauffer le grill à "high" avec le couvercle fermé pendant environ 10 minutes. Les aliments à cuisson courte (poisson, légumes) peuvent être grillés avec le couvercle ouvert. Une cuisson avec le couvercle fermé procurera des températures plus élevées et plus constantes qui réduiront la période de cuisson et cuiront la viande de façon plus égale. Les aliments qui requièrent un temps de cuisson de plus de 30 minutes, tels que les rôtis, peuvent être cuits en utilisant la méthode indirecte (avec le brûleur allumé du côté opposé à l'emplacement de la viande). Lorsque vous faites cuire des viandes très maigres, comme une poitrine de poulet ou du porc maigre, il est à conseiller de huiler les grilles de cuisson avant le préchauffage ce qui aura pour effet d'empêcher la viande de trop coller aux grilles. Le fait de cuire de la viande avec beaucoup de gras, peut causer des flambées soudaines. Il suffit alors d'enlever le gras avant la cuisson ou de réduire la température pour remédier à ce problème. En cas de flambées, éloignez les aliments de la flamme et réduisez la température. Gardez le couvercle ouvert. Pour des instructions plus détaillées, veuillez consulter le "Livre de recettes toutes saisons" de NAPOLEON.

Cuisson Directe: Placez les aliments à cuire sur la grille de cuisson, directement au-dessus de la chaleur. Cette méthode est habituellement utilisée pour faire saisir les aliments ou pour la nourriture nécessitant une courte cuisson - les hamburgers, les steaks, le poulet, les légumes, etc. La nourriture est d'abord saisie afin d'emprisonner les jus et la saveur, puis la température est réduite afin de terminer la cuisson selon vos préférences.

Cuisson Indirecte: Avec un ou plusieurs brûleurs en fonction, placez la nourriture à cuire sur la grille au-dessus d'un brûleur inactif. La chaleur circule autour de l'aliment, ce qui le fait cuire lentement et de façon égale. Ce type de cuisson ressemble à la cuisson dans un four et est généralement utilisé pour les plus grosses pièces de viande telles que les rôtis, les poulets ou les dindes, mais il peut aussi être utilisé pour cuire la nourriture ayant tendance à produire des poussées de flamme. Ce type de cuisson diminuera la température; le ralentissement de la cuisson donnera une viande plus tendre à chaque fois.

Utilisation Du Brûleur Arrière: (si équipé) Enlevez la grille-réchaud avant de l'allumer, La chaleur intense pourrait l'endommager. Les grilles de cuisson doivent également être enlevées si elles interfèrent avec l'utilisation de la rôtissoire. Le brûleur arrière est conçu pour être utilisé avec l'ensemble de rôtissoire. Consultez les instructions de montage de l'ensemble rôtissoire pour plus de détails.

Pour placer le contre-poids au bon endroit enlevez le moteur de la rôtissoire de son support. Placez la broche qui supporte la viande sur les deux supports à l'intérieur du gril. Le morceau de viande se placera naturellement avec son côté le plus pesant vers le bas. Fixez le contre-poids en place en plaçant le bras vers le haut. Vous devez ensuite glisser le poids vers le haut ou vers le bas afin de contrebalancer le poids de la viande puis serrez-le en place. Remplacez le moteur et commencez la cuisson. Placez la lèchefrite sous la viande pour récupérer le jus de cuisson qui servira pour arroser la viande et créer ainsi une délicieuse sauce naturelle. On peut également ajouter un peu d'eau si nécessaire pour favoriser l'arrosage. Afin de capturer le jus à l'intérieur de la viande, réglez le brûleur arrière à "high" jusqu'au brunissement puis, réduisez ensuite la chaleur pour une cuisson complète. Gardez le couvercle fermé pour obtenir de meilleurs résultats. Vos rôtis et volailles seront parfaitement dorés à l'extérieur tout en restant tendres et juteux à l'intérieur. Par exemple, un poulet de 3 livres sur la rôtissoire sera cuit dans approximativement 1h30 à une température entre moyenne et haute. Consultez votre "Livre de recettes toutes saisons" de NAPOLEON pour de plus amples informations.



AVERTISSEMENT! La sauce BBQ et le sel sont corrosifs et causeront une détérioration rapide des composantes de votre gril à gaz à moins de les nettoyer régulièrement. Une fois la cuisson terminée, démontez les composantes de la rôtissoire, lavez-les bien à l'eau chaude savonneuse et rangez-les à l'intérieur.

Brûleur de fumaison : Le brûleur de fumaison est conçu pour être utilisé de pair avec le plateau à copeaux de bois. Suivez les instructions d'allumage du brûleur de fumaison et laissez celui-ci fonctionner à feu élevé pendant 10 minutes, puis réduisez la chaleur au besoin.

Ouvrez le tiroir du plateau à copeaux de bois et placez une petite quantité de copeaux de bois dans la section solide du plateau. Comme il est très facile de trop fumer les aliments, n'utilisez que de petites quantités lors de vos premiers essais. Pour obtenir une saveur de fumée, il suffit d'un filet de fumée; il n'est pas souhaitable de voir s'échapper un nuage de fumée de l'appareil, qui laissera souvent un dépôt noir au goût désagréable. Pour ralentir la combustion et améliorer la saveur de fumée, il est recommandé de tremper le bois dans l'eau avant de l'utiliser.

Le bois de fumaison est offert sous différentes formes, soit des morceaux, copeaux, poussières ou granules. Il est aussi offert en une gamme d'arômes, comme le pommier ou le noyer, chacune conférant un goût différent. N'utilisez que du bois qui n'a pas été traité ou, mieux encore, procurez-vous-en chez votre détaillant Napoléon autorisé.

Utilisation Du Brûleur De Lateral Infrarouge: Le gril à gaz devrait être situé de telle sorte que le brûleur latéral soit protégé du vent, car ce dernier nuira à la performance de cuisson de votre gril.

Le brûleur latéral est muni d'une grille de cuisson qui peut être installée à deux niveaux différents. Le niveau inférieur peut être utilisé comme une cuisinière pour préparer de la soupe, des sauces, etc. Le niveau supérieur est utilisé pour saisir les aliments (voir les instructions sur le couvercle du brûleur latéral).



AVERTISSEMENT! Ne fermez pas le couvercle du brûleur latéral pendant que celui-ci fonctionne ou est chaud.

AVERTISSEMENT! N'ajustez pas la grille de cuisson lorsqu'elle est chaude ou que le brûleur fonctionne.

AVERTISSEMENT! N'utilisez PAS le brûleur latéral pour faire frire la nourriture, car le fait de cuire avec de l'huile peut créer une situation dangereuse.

1. Faites fonctionner à « high » pendant 5 minutes avec le couvercle ouvert ou jusqu'à ce que les brûleurs en céramique deviennent incandescents.
2. Placez les aliments sur les grilles de cuisson et faites saisir pendant environ 2 minutes par côté.
3. Au choix, continuez de cuire par-dessus les brûleurs infrarouges à « high », « medium » ou « low », en tournant souvent les aliments, ou placez les aliments sur la surface de cuisson principale, fermez le couvercle et laissez la température de convection terminer la cuisson de vos aliments plus lentement.

AVERTISSEMENT! Dû à la chaleur intense produite pour le brûleur infrarouge, les aliments qui sont laissés sur les brûleurs sans surveillance brûleront rapidement.

Protection Des Brûleurs Infrarouges: Les brûleurs infrarouges de votre gril sont conçus pour durer longtemps. Cependant, vous devez respecter certaines consignes pour éviter que leur surface en céramique ne se fissure, ce qui causerait leur mauvais fonctionnement.

- Empêchez tout contact direct de l'eau avec votre brûleur en céramique.
- Ne laissez pas d'objets durs cogner le brûleur infrarouge.
- Empêchez tout contact de l'eau froide (pluie, arroseur, boyau, etc.) avec les brûleurs en céramique lorsqu'ils sont chauds. Une grande différence de température peut causer des fissures dans la tuile de céramique.

- Gardez le couvercle fermé lorsque le brûleur latéral n'est pas en usage.
- Après la cuisson fonctionner le brûleur à puissance maximale pendant 5 minutes, afin de brûler toute la graisse et les débris.

Les dommages causés par le non respect de ces étapes ne sont pas couverts par la garantie du grill.

Chaleur Infrarouge

La plupart des gens ne réalisent pas que la source de chaleur qui nous est la plus familière et que le soleil émet pour réchauffer la planète est l'énergie infrarouge. L'énergie infrarouge est une forme d'énergie électromagnétique dont la longueur d'onde est tout juste plus grande que la lumière rouge visible du spectre lumineux mais plus petite que les ondes radios. Cette forme d'énergie fut découverte en 1800 par Sir William Herschel qui fit passer la lumière du soleil à travers un prisme qui divisa la lumière en ses composants du spectre lumineux. Il démontra que la plus forte concentration de chaleur qui émanait des rayons provenait de la région du spectre lumineux juste au-dessus du rouge, où aucune lumière n'était visible. C'est cela l'énergie infrarouge. La plupart des matériaux absorbent facilement l'énergie infrarouge sous un large spectre de longueur d'onde, causant une augmentation de température des matériaux. C'est le même phénomène qui se produit lorsque nous ressentons de la chaleur durant une exposition au soleil. Les rayons infrarouges du soleil voyagent dans l'espace, pénètrent l'atmosphère et notre peau. Ceci provoque une augmentation de l'activité moléculaire de la peau, créant des frictions internes et générant de la chaleur, nous permettant de ressentir de la chaleur.

Les aliments cuits au-dessus des sources de chaleur infrarouges sont réchauffés selon le même principe. Le charbon de bois est la méthode traditionnelle de cuisson à l'infrarouge dont nous sommes les plus familiers. Les briquettes incandescentes émettent de l'énergie infrarouge à l'aliment qui se fait cuire et ce, avec très peu d'assèchement. Les jus de cuisson ou les graisses qui s'échappent des aliments dégouttent sur le charbon de bois et se vaporisent en fumée, donnant ainsi aux aliments leur goût savoureux. Les brûleurs infrarouges de Napoléon fonctionnent de la même façon. Dans chaque brûleur, 10 000 orifices possédant chacun leur flamme rendent la surface de la céramique incandescente. Cette incandescence émet le même type de chaleur infrarouge sans le souci du charbon de bois qui est souvent malpropre. Il procure aussi une chaleur plus uniforme qui est plus facile à contrôler que celle du charbon de bois. Pour saisir les aliments, les brûleurs peuvent être réglés à "high" et être ensuite réglés plus bas pour une cuisson plus lente. Nous savons combien cela est difficile avec le charbon de bois. Les brûleurs traditionnels au gaz réchauffent les aliments d'une façon différente. L'air entourant le brûleur est réchauffé par le processus de combustion et s'élève ensuite vers les aliments à cuire. Cette méthode génère des températures plus basses qui sont idéales pour les aliments plus fragiles tels que les fruits de mer et les légumes. En conclusion, les brûleurs infrarouges de Napoléon produisent un rayonnement intense qui vous donnera des steaks, des hamburgers et des viandes qui seront plus juteux et plus savoureux. Pour connaître les temps de cuisson et certains conseils, consultez le tableau de cuisson à l'infrarouge.

Tableau de cuisson à l'infrarouge

Aliment	Réglage Des Contrôles	Temps De Cuisson	Conseils Pratiques
Steak 1" (2.54cm) d'épaisseur	Réglage à "high" 2 min chaque côté Réglage à "high" 2 min chaque côté ensuite réglage à "medium" Réglage à "high" 2 min chaque côté ensuite réglage à "medium"	4 min - Saignant 6 min - À point 8 min - Bien cuit	Lorsque vous choisissez votre viande, demandez une viande qui est marbrée. Le gras de la viande agira comme un élément attendrissant durant la cuisson et gardera la viande plus juteuse.
Hambourgeois 1/2" (1.27cm) d'épaisseur	Réglage à "high" 2 min chaque côté Réglage à "high" 2 1/2 min chaque Côté Réglage à "high" 3 min chaque côté	4 min - Saignant 5 min - À point 6 min - Bien cuit	Pour terminer la cuisson de vos hambourgeois tous en même temps, nous vous conseillons de varier l'épaisseur de vos boulettes. Pour ajouter une saveur exotique à votre viande, ajoutez des copeaux de bois à saveur de hickory dans une pipe à boucane de Napoléon.
Morceaux de poulet	Réglage à "high" 2 min chaque côté ensuite réglage de "medium-low" à "low"	20-25 min	L'articulation qui retient le pilon à la cuisse doit être coupée au 3/4 à partir du côté sans peau afin de permettre à la viande d'être plus à plat sur la grille de cuisson. Ceci permettra à la viande de cuire de façon plus uniforme et plus rapidement. Pour ajouter une touche personnelle à votre poulet, ajoutez des copeaux de bois à saveur de mesquite dans une pipe à boucane de Napoléon.
Côtelettes de porc	Medium"	6 min chaque côté	Coupez l'excès de gras avant de faire cuire. Choisissez des côtelettes de porc plus épaisses pour obtenir une viande plus tendre.
Côtes	Réglage à "high" pendant 5 minutes ensuite réglage à "low" pour terminer la cuisson	20 min chaque côté tournez souvent	Choisissez des côtes bien charnues et maigres. Grillez jusqu'à ce que la viande se détache facilement des os.
Côtelettes d'agneau	Réglage à "high" pendant 5 minutes ensuite réglage à "medium" pour terminer la cuisson	15 min chaque côté	Coupez l'excès de gras avant de faire cuire. Choisissez des côtelettes très épaisses pour obtenir une viande plus tendre.
Saucisses	"Medium" - "low"	4-6 min	Choisissez des saucisses plus grosses. Faites une entaille dans la peau, sur la longueur de la saucisse avant de faire griller.

Nettoyage



AVERTISSEMENT! Portez toujours des gants protecteurs et des lunettes de sécurité lorsque vous l'entretien votre grill.

AVERTISSEMENT! Assurez-vous que les brûleurs sont éteints avant de nettoyer. Éviter tout contact avec les surfaces chaudes. Nettoyez votre grill dans un endroit où les produits de nettoyage n'endommageront pas votre patio, terrain ou terrasse. N'utilisez pas de produit de nettoyage à fourneau pour nettoyer votre grill. La sauce BBQ et le sel sont très corrosifs et causeront une détérioration très rapide de votre grill à moins que vous ne fassiez un nettoyage régulier.

Note : L'acier inoxydable a tendance à s'oxyder ou à tacher en présence de chlorures et de sulfures que l'on retrouve particulièrement dans les zones côtières ainsi que dans les environnements chauds et humides tels que les piscines et les spas. Ces taches peuvent être prises pour de la rouille mais il peuvent être facilement enlevées et même évitées. Afin de prévenir les taches, nettoyez toutes les surfaces en acier inoxydable et chrome toutes les trois à quatre semaines ou au besoin avec de l'eau douce et un nettoyant à acier inoxydable.

Les Grilles De Cuisson Et La Grille-Réchaud: Les grilles de cuisson et la grille-réchaud sont plus faciles à nettoyer durant la période de préchauffage en utilisant une brosse en laiton. Une laine d'acier peut être utilisée pour les taches les plus rebelles. Les grilles en acier inoxydable (si équipé) vont changer de couleur en permanence dû à la chaleur excessive de la surface de cuisson.

Nettoyage Du Panneau De Contrôle : Le texte sur le panneau de contrôle est imprimé directement sur l'acier inoxydable. Avec un entretien adéquat, le texte demeurera toujours foncé et lisible. N'utilisez pas de détergents abrasifs (Ajax, Vim, Old Dutch etc.) pour nettoyer les surfaces en acier inoxydable, spécialement la partie imprimée du panneau de contrôle. Le texte disparaîtra graduellement si vous utilisez ces produits. Utilisez seulement le nettoyant d'acier inoxydable Napoléon, disponible chez votre détaillant Napoléon.

Nettoyage De L'intérieur Du Grill: Enlevez les grilles de cuisson. Utilisez une brosse en laiton pour enlever les débris non-incrustés sur les côtés de la cuve et à l'intérieur du couvercle. Grattez les plaques de brûleur avec un couteau à mastic ou un grattoir puis utilisez une brosse en laiton pour enlever la suie. Enlevez les plaques de brûleur et nettoyez les débris sur le brûleur à l'aide de la brosse. Nettoyez tous les débris qui se trouvent à l'intérieur du grill en les faisant tomber dans le tiroir d'égouttement. Le tiroir d'égouttement devrait être gratté à l'aide d'un couteau à mastic ou d'un grattoir en jetant les débris dans le récipient à graisse jetable. Le récipient jetable devrait être remplacé entre deux et quatre semaines selon la fréquence d'utilisation du grill. Pour vous procurer des récipients de rechange informez-vous à votre représentant. Assurez-vous de replacer les plaques de brûleur dans la bonne position. (Consultez les instructions de montage si nécessaire pour un positionnement correct).



AVERTISSEMENT! L'accumulation de graisse peut créer un risque de feu.

Tiroir d'égouttement : Nettoyez le tiroir d'égouttement fréquemment (à toutes les 4 ou 5 utilisations ou au besoin) afin d'éviter une accumulation de graisse. La graisse et les jus de cuisson tombent dans le tiroir d'égouttement qui se trouve sous la cuve du grill et s'accumulent dans le récipient à graisse jetable qui se situe sous le tiroir d'égouttement. Pour accéder au récipient à graisse jetable ou pour nettoyer le tiroir d'égouttement, glissez ce dernier hors du grill. Ne tapissez jamais votre tiroir d'égouttement de papier d'aluminium, de sable ou de tout autre matériau, car ceci aurait pour effet de nuire au bon écoulement de la graisse. Le tiroir d'égouttement devrait être gratté à l'aide d'un couteau à mastic ou d'un grattoir. Remplacez le récipient à graisse jetable toutes les deux à quatre semaines selon la fréquence d'utilisation du grill. Pour vous procurer des récipients de rechange, consultez votre détaillant de grill Napoléon.

Nettoyage De L'extérieur Du Grill: N'utilisez pas de produits abrasifs pour nettoyer les pièces peintes, de fini porcelaine ou en acier inoxydable. Les éléments en porcelaine émaillée doivent être manipulés avec soin. Le fini émaillée étant cuit il devient comme du verre; il s'ébrêchera au moindre choc. Vous pouvez vous procurer de la peinture émaillée pour les retouches chez votre détaillant NAPOLEON. Utilisez une solution d'eau savonneuse chaude pour nettoyer l'extérieur du grill pendant qu'il est encore tiède au toucher. Pour nettoyer les surfaces en acier inoxydable utilisez un produit de nettoyage à acier inoxydable ou un produit de nettoyage tout usage sans abrasif. Frottez toujours dans le sens du grain. N'utilisez pas de laine d'acier car elle égratignerait le fini. Les pièces en acier inoxydable vont décolorer sous l'effet de la chaleur pour habituellement prendre une couleur dorée ou brune. Cette décoloration est normale et n'affectera pas la performance du grill.

Lumières : La surface de la lentille peut être nettoyée à l'aide d'une eau chaude savonneuse et d'un chiffon propre et doux. Pour les taches tenaces, vous pouvez utiliser une petite quantité de dégraisseur. N'employez pas de nettoyants abrasifs puisqu'ils pourraient rayer ou endommager la lentille.



Instructions D'entretien

Nous vous conseillons de faire inspecter ce gril à gaz annuellement par un technicien de service qualifié. L'emplacement du gril à gaz doit être gardé libre de tous matériaux combustibles, essence ou autres liquides et vapeurs inflammables en tout temps. Les apports d'air comburant et d'air de ventilation ne doivent pas être obstrués. Les ouvertures d'aération du compartiment de la bonbonne (situées sur les côtés du chariot, et à l'avant et à l'arrière de la tablette inférieure) doivent être libres de débris en tout temps.

AVERTISSEMENT! Portez toujours des gants protecteurs et des lunettes de sécurité lorsque vous nettoyez votre gril.

AVERTISSEMENT! Fermez le gaz à la source et débranchez l'appareil avant l'entretien. L'entretien devrait être effectué seulement lorsque le gril est froid pour éviter toutes possibilités de brûlure. Un test de détection de fuites devrait être effectué annuellement ou à chaque fois qu'une composante de gaz est remplacée.

Ajustement De L'air De Combustion (ceci doit être effectué par un installateur qualifié): Le volet d'air est réglé à l'usine et ne devrait pas avoir besoin normalement d'être ajusté. Cependant dans des conditions exceptionnelles un ajustement peut être requis. Lorsque le volet d'air est bien ajusté, les flammes seront bleues foncées avec des pointes bleues pâles ou quelques fois jaunes.

- Si le brûleur ne reçoit pas assez d'air, les flammes seront jaunes pâles et produiront possiblement de la suie.
- Si le brûleur reçoit trop d'air, les flammes scintilleront de façon erratique et causeront possiblement des problèmes d'allumage.

Pour ajuster le volet d'air:

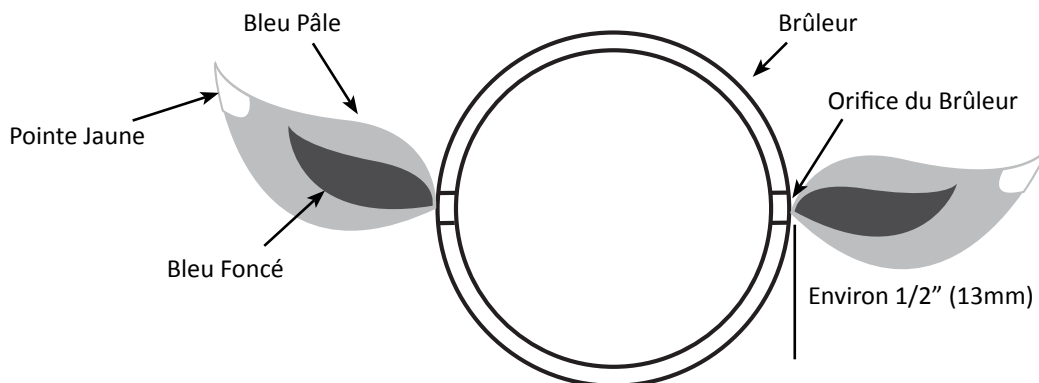
1, Enlevez les grilles de cuisson, les plaques de brûleur et laissez le couvercle ouvert. Il sera peut-être nécessaire d'ouvrir la porte ou retirer le tiroir du haut pour accéder (si équipé) à la vis du volet d'air. Pour ajuster le volet d'air du brûleur arrière, vous devez enlever le couvercle arrière.

2, Desserrez la vis de verrouillage du volet d'air et ouvrez ou fermez le volet d'air selon le cas. Les ajustements normaux sont:

Brûleur tube principal	Propane 5/16" (8mm)	Brûleur tube arrière Propane ouvert au complet
	Naturel 1/8" (3mm)	Naturel 1/8" (3mm)
Brûleur de fumaison	Propane 1/8" (3mm)	
	Naturel 1/16" (1.6mm)	

***Les brûleurs infrarouges n'ont pas de réglage de volet d'air.**

3, Allumez les brûleurs et positionnez-les à "high". Inspectez visuellement les flammes. Lorsque les volets sont ajustés, éteignez les brûleurs, serrez la vis de verrouillage et remplacez les pièces qui avaient été enlevées. Assurez-vous que les petits grillages contre les insectes sont installés.



Brûleur Tube: Le brûleur est fait d'acier inoxydable 304, mais en raison de la chaleur extrême et d'un environnement corrosif, il se produira une corrosion de surface. Enlevez cette corrosion à l'aide d'une brosse en laiton. Nettoyez les orifices bouchés à l'aide d'un trombone déplié. N'agrandissez surtout pas les orifices du brûleur.



ATTENTION! Aux Araignées

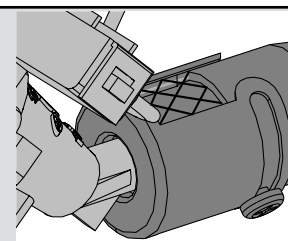
Les araignées et les insectes sont attirés par l'odeur du propane et du gaz naturel. Le brûleur est muni d'un grillage contre les insectes qui protège le volet d'air réduisant ainsi la possibilité que les insectes se construisent des nids dans le brûleur mais ceci n'est pas efficace à 100 %. Le nid ou la toile d'araignée fera que le brûleur produira une flamme jaune pâle ou orangée ou causera des "ratés" de feu au niveau des volets d'air sous le panneau de contrôle. Pour nettoyer l'intérieur du brûleur vous devez le détacher du gril. Retirez la vis qui fixe le brûleur à la paroi arrière du gril. Soulevez l'arrière du brûleur vers le haut pour le retirer. Utilisez une brosse flexible de tube de venturi pour nettoyer l'intérieur du brûleur. Faites sortir tous les débris qui se trouvent à l'intérieur du brûleur en le brossant.

En raison des débris de cuisson et de la corrosion, les orifices de brûleur peuvent se boucher avec le temps. Nettoyez les orifices bouchés à l'aide de ce foret inséré dans une petite perceuse sans fil. Les orifices du brûleur peuvent être nettoyés si le brûleur est en place. Toutefois, le nettoyage sera plus facile si le brûleur est retiré du gril. Ne pliez pas le foret en nettoyant les orifices, car le foret casserait. Ce foret doit être utilisé pour les orifices de brûleur seulement. Ne l'utilisez pas pour les orifices en laiton (jets) qui servent à régulariser le débit vers le brûleur.

Assurez-vous que le grillage est propre, serré et libre de tous débris ou déchets. Vérifiez également que les orifices de la soupape sont propres. N'agrandissez surtout pas les orifices. Réinstallez le brûleur. Assurez-vous que la soupape pénètre le brûleur lors de la réinstallation. Remplacez le couvre-brûleur et la vis centrale afin de terminer l'installation.

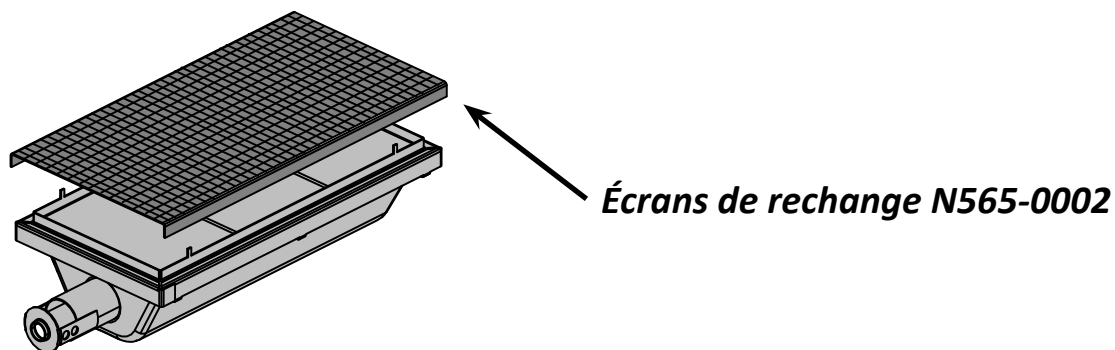


AVERTISSEMENT! Lors de la réinstallation du brûleur après le nettoyage, il est très important que la soupape / l'orifice entre dans le brûleur avant que vous allumiez votre gril à gaz. Si la soupape n'est pas à l'intérieur du brûleur, un feu ou une explosion pourrait survenir.



Protection Du Brûleur Infrarouge: Le brûleur infrarouge de votre gril est conçu pour vous offrir une longue durée de vie. Cependant, certaines précautions doivent être prises afin d'éviter que les surfaces en céramiques ne fissurent, causant ainsi un mauvais fonctionnement du brûleur. Vous trouverez ci-dessous les causes de fissuration les plus courantes ainsi que les moyens à prendre pour les éviter. Tout dommage résultant d'une négligence de votre part à observer les consignes ci-dessous ne sera pas couvert par la garantie.

1. Impact avec des objets durs - Ne laissez jamais d'objets durs cogner la céramique. Faites très attention lorsque vous retirez ou installez la grille de cuisson et autres accessoires dans votre gril. Si ces objets devaient tomber sur la céramique, elle risque très probablement de fissurer.
2. L'eau et les autres liquides - Des liquides froids qui entrent en contact avec des surfaces chaudes en quantité considérable risquent de fissurer la surface de la céramique. Ne jetez jamais d'eau dans le gril pour éteindre des poussées de flamme. De plus, si la céramique ou l'intérieur d'un brûleur deviennent mouillés alors qu'ils ne sont pas en fonction, le brûleur risque de produire de la vapeur d'eau au prochain usage, ce qui peut produire suffisamment de pression pour faire fissurer la céramique. Le trempage répété de la céramique la fera dilater et prendre de l'expansion. Cette expansion causera des pressions anormales sur la céramique et risque de la faire fissurer et s'effriter.
 - i) Ne jamais jeter d'eau dans le gril pour contrôler les poussées de flamme.
 - ii) Ne faites pas fonctionner le brûleur infrarouge sous la pluie.
 - iii) Si vous découvrez de l'eau dans votre gril (provenant de la pluie, d'arrosiers, etc.), vérifiez si elle est entrée en contact avec la céramique. Si la céramique semble mouillée, retirez le brûleur du gril. Tournez-le à l'envers pour égoutter le surplus d'eau. Apportez le brûleur à l'intérieur et laissez-le sécher complètement.
3. Mauvaise évacuation de l'air chaud sortant du gril - Pour que le brûleur fonctionne adéquatement, l'air chaud doit pouvoir s'échapper du gril. Si l'air chaud.
4. Ne nettoyez pas la tuile de céramique avec une brosse métallique. Si des débris s'accumulent sur le brûleur, allumez simplement le brûleur et faites fonctionner à "HIGH" pendant cinq minutes avec le couvercle ouvert, permettant aux débris de se consumer.



AVERTISSEMENT! Le brûleur latéral infrarouge est muni d'un plateau d'égouttement qui ne peut contenir qu'une petite quantité de graisse. Afin d'éviter les feux de graisse, le plateau doit être nettoyé après chaque utilisation.



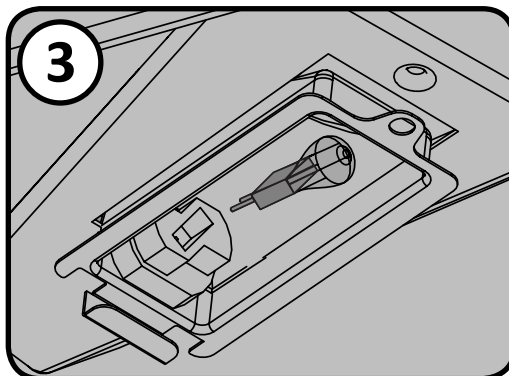
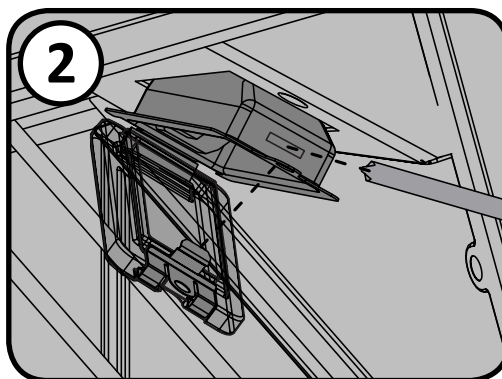
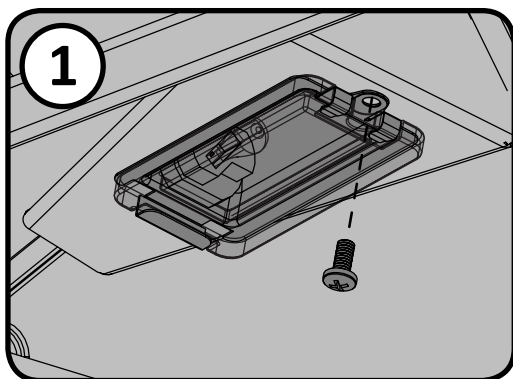
AVERTISSEMENT! Boyau: Vérifiez l'usure, coupures, craquelures ou s'il est fondu. Si vous découvrez une de ces défauts, n'utilisez pas votre grill. Faites remplacer la pièce par votre détaillant NAPOLEON ou par un installateur qualifié.

Moulages En Aluminium: Nettoyez les moulages périodiquement à l'aide d'une solution d'eau savonneuse chaude. L'aluminium ne rouillera pas mais dû aux chaleurs élevées et aux effets climatiques, une oxydation se produira sur les surfaces d'aluminium. Ceci apparaîtra comme des taches blanches sur les moulages. Pour réparer le fini des moulages, sablez-les à l'aide d'un papier émeri fin. Essuyez la surface et peignez avec de la peinture à grill haute température. Protégez les alentours des vapeurs de peinture. Suivez les directives de séchage inscrites sur la bonbonne de peinture.



AVERTISSEMENT! Portez toujours des gants protecteurs lorsque vous remplacez l'ampoule halogène des lumières internes de votre grill.

Lumières : Pour remplacer l'ampoule halogène de votre grill, vous devez d'abord retirer la lentille du compartiment d'éclairage. Pour retirer la lentille du compartiment, retirez la vis cruciforme qui retient le compartiment. Faites sortir la lentille du compartiment (de même que le support de métal). Ne touchez pas à l'ampoule halogène avec vos mains nues. Le gras de vos doigts réduira la durée de vie de l'ampoule. Une fois les mains gantées, tirez délicatement sur l'ampoule pour la faire sortir de sa douille, puis remplacez-la par la nouvelle ampoule. Remettez la lentille en place, en pressant pour qu'elle se fixe au compartiment, puis repliez les pattes sur le devant du compartiment à leur position initiale.



Guide De Dépannage

Problème	Causes possibles	Solutions
Faible chaleur/petite flamme lorsque le bouton de contrôle est à "high".	<p>Pour le propane - procédure d'allumage incorrect.</p> <p>Pour le gaz naturel - tuyau d'alimentation trop petit.</p> <p>Pour les deux sortes de gaz - mauvais préchauffage.</p>	<p>Assurez-vous que la procédure d'allumage est suivie à la lettre. Tous les boutons de contrôle du gril doivent être fermés lorsque vous ouvrez la soupape de la bonbonne. Tournez la soupape de la bonbonne lentement pour assurer l'équilibre de la pression. Voir les instructions d'allumage.</p> <p>La grosseur du tuyau doit être conforme au code d'installation.</p> <p>Préchauffez le gril en allumant les brûleurs de cuve à "high" pendant 5 à 10 minutes.</p>
Poussées de flamme excessives/chaleur inégale.	<p>Plaques de brûleur mal installées.</p> <p>Mauvais préchauffage</p> <p>Accumulation excessive de graisse et de cendres sur les plaques de brûleur et dans le tiroir d'égouttement.</p>	<p>Assurez-vous que les plaques sont installées avec les trous vers l'avant et les fentes en dessous. Voir les instructions d'assemblage.</p> <p>Préchauffez le gril en allumant les brûleurs de cuve à "high" pendant 5 à 10 minutes.</p> <p>Nettoyez les plaques de brûleur et le tiroir d'égouttement régulièrement. Ne tapissez pas le tiroir d'égouttement avec du papier d'aluminium. Consultez les instructions de nettoyage.</p>
Les flammes produites par les brûleurs sont jaunes et vous détectez une odeur de gaz.	Possibilité de toiles d'araignée ou autres débris, ou d'un mauvais ajustement des volets d'air.	Retirez le brûleur et nettoyez-le complètement. Consultez les instructions d'entretien. Ouvrez légèrement les volets d'air tout en vous conformant aux instructions de réglage des volets d'air. (ceci doit être effectué par un installateur de gaz qualifié)
Les flammes se détachent du brûleur, accompagnées d'une odeur de gaz et possiblement une difficulté d'allumage.	Mauvais ajustement des volets d'air.	Fermez légèrement les volets d'air tout en vous conformant aux instructions de réglage des volets d'air. (ceci doit être effectué par un installateur de gaz qualifié)
Le brûleur principal ne s'allume pas avec l'allumeur, mais la lumière avec une allumette.	Jet-le-feu de sortie est sale ou obstrué.	Nettoyez-le-feu à jet de sortie avec une brosse à poils doux.
Le régulateur murmure lorsque l'appareil fonctionne.	Problème normal par temps chaud.	Ceci n'est pas un défaut. Le murmure est causé par une vibration à l'intérieur du régulateur et n'affecte en rien la performance et la sécurité du gril à gaz. Les régulateurs émettant un murmure ne seront pas remplacés.
Les brûleurs ne s'allument pas les uns aux autres.	Sales ou corrodés supports légers croix.	Nettoyez ou remplacez au besoin.

Problème	Causes possibles	Solutions
La peinture semble peler à l'intérieur du couvercle.	Accumulation de graisse sur les surfaces internes.	Ceci n'est pas un défaut. Le fini du couvercle est en acier inoxydable et porcelainisé et ne pèlera pas. Le pelage est causé par la graisse qui durci et sèche comme des éclats de peinture qui pèlent. Un nettoyage régulier préviendra ce problème. Consultez les instructions de nettoyage.
Les contrôles sont réglés à "high" mais la chaleur générée par les brûleurs est trop basse.	<p>Manque de gaz.</p> <p>Le tuyau d'alimentation en gaz est pincé.</p> <p>L'injecteur du brûleur est sale ou obstrué.</p> <p>Présence de toiles d'araignée ou autres débris dans le tube du venturi.</p> <p>Le régulateur de propane est en situation de "faible débit".</p>	<p>Vérifiez le niveau de propane dans la bonbonne.</p> <p>Remplacez le tuyau d'alimentation convenablement.</p> <p>Nettoyez l'injecteur du brûleur.</p> <p>Nettoyez le tube du venturi.</p> <p>Assurez-vous que la procédure d'allumage est suivie à la lettre. Tous les boutons de contrôle du gril doivent être fermés lorsque vous ouvrez la soupape de la bonbonne. Tournez la soupape de la bonbonne lentement pour assurer l'équilibre de la pression. Voir les instructions d'allumage.</p>
Le brûleur infrarouge (si équipé) produit des retours de flamme (pendant qu'il fonctionne, le brûleur fait subitement un bruit qui s'apparente à un "whoosh", suivi d'un bruit continu semblable à une lampe à souder et qui diminue en intensité.	<p>Les tuiles de céramique sont surchargées de graisse de cuisson et d'accumulations, les orifices sont obstrués.</p> <p>Le brûleur a surchauffé dû à une ventilation inadéquate (trop grande surface de cuisson recouverte par des plaques de cuisson ou des plateaux).</p> <p>Des tuiles de céramique sont fissurées.</p> <p>Le joint d'étanchéité autour de la céramique n'est plus étanche, ou une soudure dans le boîtier du brûleur est cassée.</p>	<p>Fermez le brûleur et laissez-le refroidir pendant au moins deux minutes. Réallumez le brûleur et réglez-le à "high" pendant au moins cinq minutes ou jusqu'à ce que les tuiles deviennent uniformément incandescentes.</p> <p>Ne recouvrez pas plus que 75 % de la surface de cuisson avec des objets ou des accessoires. Fermez le brûleur et laissez-le refroidir pendant au moins deux minutes puis réallumez-le.</p> <p>Laissez le brûleur refroidir puis vérifiez de près pour des fissures. Si vous détectez des fissures, commandez un brûleur de rechange auprès de votre détaillant autorisé Napoléon.</p> <p>Contactez votre détaillant autorisé Napoléon pour obtenir des instructions sur l'achat d'un brûleur de rechange.</p>

Problème	Causes possibles	Solutions
L'allumeur électronique ne fonctionne pas.	<p>L'appareil n'est pas branché.</p> <p>Un fusible est brûlé.</p> <p>Le transformateur est défectueux.</p> <p>Les bornes sur le commutateur ou la carte de circuit sont corrodées ou desserrées.</p> <p>L'allumeur est défectueux.</p> <p>Les électrodes sont sales ou corrodées.</p>	<p>Branchez le cordon d'alimentation (d'une prise de courant avec disjoncteur de fuite à la terre fonctionnelle) dans le boîtier électrique à l'arrière du gril. Branchez le cordon du transformateur dans le boîtier électrique.</p> <p>Remplacez le fusible sur la ligne de sortie du transformateur.</p> <p>Vérifiez la tension de sortie du transformateur; elle devrait être de 12 V c.a. Remplacez-le au besoin.</p> <p>Nettoyez les connexions et assurez-vous qu'elles soient bien serrées. L'accès à la carte de circuit se trouve sous le couvercle électrique, sur le côté gauche du cabinet.</p> <p>Remplacez l'allumeur. Il se trouve sous le couvercle électrique.</p> <p>Nettoyez ou remplacez au besoin.</p>
Les lumières du couvercle et du panneau de contrôle ne fonctionnent pas.	<p>L'appareil n'est pas branché.</p> <p>Un fusible est brûlé.</p> <p>Le transformateur est défectueux.</p> <p>Les bornes sur le commutateur ou la carte de circuit sont corrodées ou desserrées.</p> <p>Les ampoules sont brûlées (lumières du couvercle seulement).</p>	<p>Branchez le cordon d'alimentation (d'une prise de courant avec disjoncteur de fuite à la terre fonctionnelle) dans le boîtier électrique à l'arrière du gril. Branchez le cordon du transformateur dans le boîtier électrique.</p> <p>Remplacez le fusible sur la ligne de sortie du transformateur.</p> <p>Vérifiez la tension de sortie du transformateur; elle devrait être de 12 V c.a. Remplacez-le au besoin.</p> <p>Nettoyez les connexions et assurez-vous qu'elles soient bien serrées. L'accès à la carte de circuit se trouve sous le couvercle électrique, sur le côté gauche du cabinet.</p> <p>Remplacez les ampoules selon les instructions à la section Entretien du manuel.</p>

GARDEZ VOTRE REÇU COMME PREUVE D'ACHAT POUR VALIDER VOTRE

Commande De Pièces De Rechange

Information Sur La Garantie

MODÈLE: _____

DATE D'ACHAT: _____

NUMÉRO DE SÉRIE: _____

(Inscrivez l'information ici pour y avoir accès facilement.)

Avant de contacter le département du service aux consommateurs, consultez le site Web de Napoleon Grills pour obtenir plus d'instructions sur le nettoyage, l'entretien, le dépannage et le remplacement des pièces à www.napoleongrills.com. Contactez le fabricant directement pour obtenir des pièces de rechange et faire des réclamations au titre de la garantie. Le département du service aux consommateurs est à votre disposition entre 9 h et 17 h (heure normale de l'Est) au 1-866-820-8686, par télécopieur au 705-727-4282 ou e-mail grills@napoleonproducts.com. Pour qu'une réclamation soit traitée, l'information suivante est nécessaire :

1. Modèle et numéro de série de l'appareil.
2. Numéro de la pièce et description.
3. Description concise du problème (« brisé » n'est pas suffisant).
4. Preuve d'achat (copie de la facture).

Dans certains cas, le département du service aux consommateurs peut demander de retourner la pièce pour des fins d'inspection avant de fournir une pièce de rechange. Les pièces doivent être expédiées port payé à l'attention du département du service aux consommateurs avec l'information suivante :

1. Modèle et numéro de série de l'appareil.
2. Description concise du problème (« brisé » n'est pas suffisant).
3. Preuve d'achat (copie de la facture).
4. Numéro d'autorisation de retour - fourni par le représentant du département du service aux consommateurs.

Avant de contacter le service aux consommateurs, veuillez prendre note que les items suivants ne sont pas couverts par la garantie :

- coûts de transport, de courtage et frais d'exportation;
- coûts de main-d'oeuvre pour l'enlèvement et l'installation de la pièce;
- coûts des appels de service pour diagnostiquer le problème;
- décoloration des pièces en acier inoxydable;
- bris des pièces causé par un manque d'entretien et de nettoyage, ou par l'utilisation de nettoyeurs inappropriés (nettoyant à fourneau ou autres produits chimiques agressifs).



CAUTION! During unpacking and assembly we recommended you wear work gloves and safety glasses for your protection. Although we make every effort to make the assembly process as problem free and safe as possible, it is characteristic of fabricated steel parts that the edges and corners might be sharp and could cause cuts if handled incorrectly.



ATTENTION! Lors du déballage et de l'assemblage, nous vous conseillons de porter des gants de travail et des lunettes de sécurité pour votre protection. Malgré tous nos efforts pour assurer que l'assemblage soit aussi sécuritaire et sans problème que possible, il se peut que les bords et les coins des pièces usinées en acier soient coupants et qu'ils causent des coupures si les pièces ne sont pas manipulées correctement.

Getting Started

1. Remove all cart panels, hardware, and grill head from carton. Raise lid and remove any components packed inside. Use the parts list to ensure all necessary parts are included.
2. Do not destroy packaging until the grill has been fully assembled and operates to your satisfaction.
3. Assemble the grill where it is to be used, lay down cardboard or a towel to protect parts from being lost or damaged while assembling.
4. **Most stainless steel parts are supplied with a protective plastic coating that must be removed prior to using the grill. The protective coating has been removed from some of the parts during the manufacturing process and may have left behind a residue that can be perceived as scratches or blemishes. To remove the residue, vigorously wipe the stainless steel in the same direction as the grain.**
5. Follow all instructions in the order that they are laid out in this manual.
6. Two people are required to lift the grill head onto the assembled cart.



If you have any questions about assembly or grill operation, or if there are damaged or missing parts please call our Customer Solutions Department at 1-866-820-8686 between 9 AM and 5 PM (Eastern Standard Time).

Pour Commencer

1. Retirez tous les panneaux, le matériel et le gril du carton d'emballage. Soulevez le couvercle et enlevez les composants qui se trouvent à l'intérieur. Servez-vous de la liste de pièces pour vous assurer que toutes les pièces nécessaires sont incluses.
2. Ne détruisez pas l'emballage jusqu'à ce que le gril ait été complètement assemblé et qu'il fonctionne à votre satisfaction.
3. Assemblez le gril là où il sera utilisé et posez un carton ou une serviette afin d'éviter de perdre ou d'endommager les pièces lors de l'assemblage.
4. **La plupart des pièces en acier inoxydable comportent un revêtement de protection en plastique qui doit être retiré avant d'utiliser le gril. Le revêtement de protection a déjà été retiré de certaines pièces lors du processus de fabrication, ce qui a pu laisser un résidu pouvant être perçu comme des égratignures ou des marques. Pour enlever ce résidu, frottez l'acier inoxydable vigoureusement dans le sens du grain.**
5. Suivez toutes les instructions dans l'ordre donné dans ce manuel.
6. Deux personnes sont requises pour soulever la cuve de gril et la placer sur le chariot assemblé.

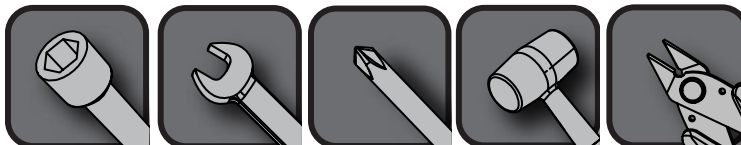


Si vous avez des questions à propos de l'assemblage ou du fonctionnement du gril, ou si des pièces sont manquantes ou endommagées, veuillez appeler notre département du Service aux Consommateurs au 1-866-820-8686 entre 9 h et 17 h (heure normale de l'Est).

TOOLS REQUIRED FOR ASSEMBLY (tools not included)

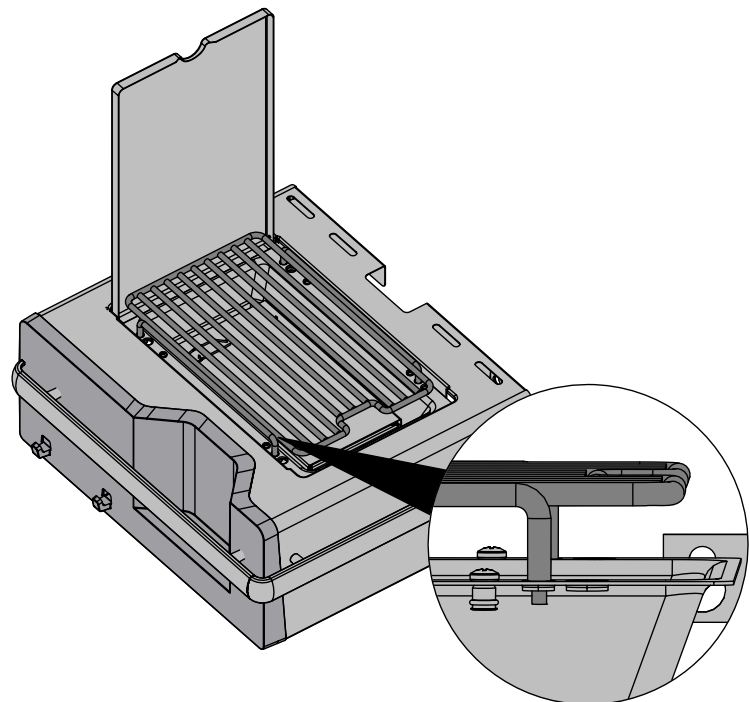
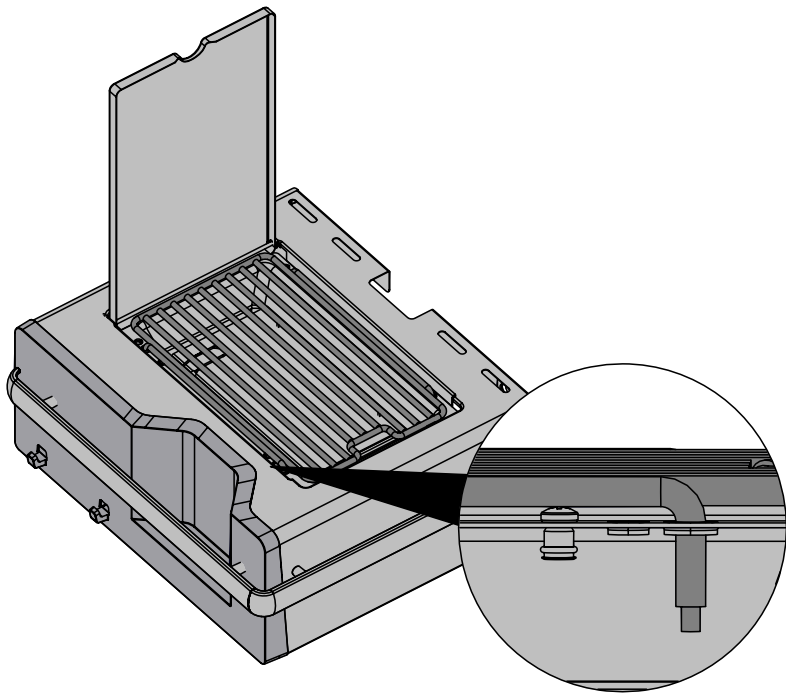
OUTILS REQUIS POUR L'ASSEMBLAGE (outils non inclus)

3/8" (10 mm)



Cooking Grid Placement: The cooking grid can be placed at two different heights. The lower height is for use with pots or pans. The higher position is to be used when searing meats. Ensure the burner is off and the grid is cool to the touch before changing between the two heights. The grid must be at the lower height in order to close the lid.

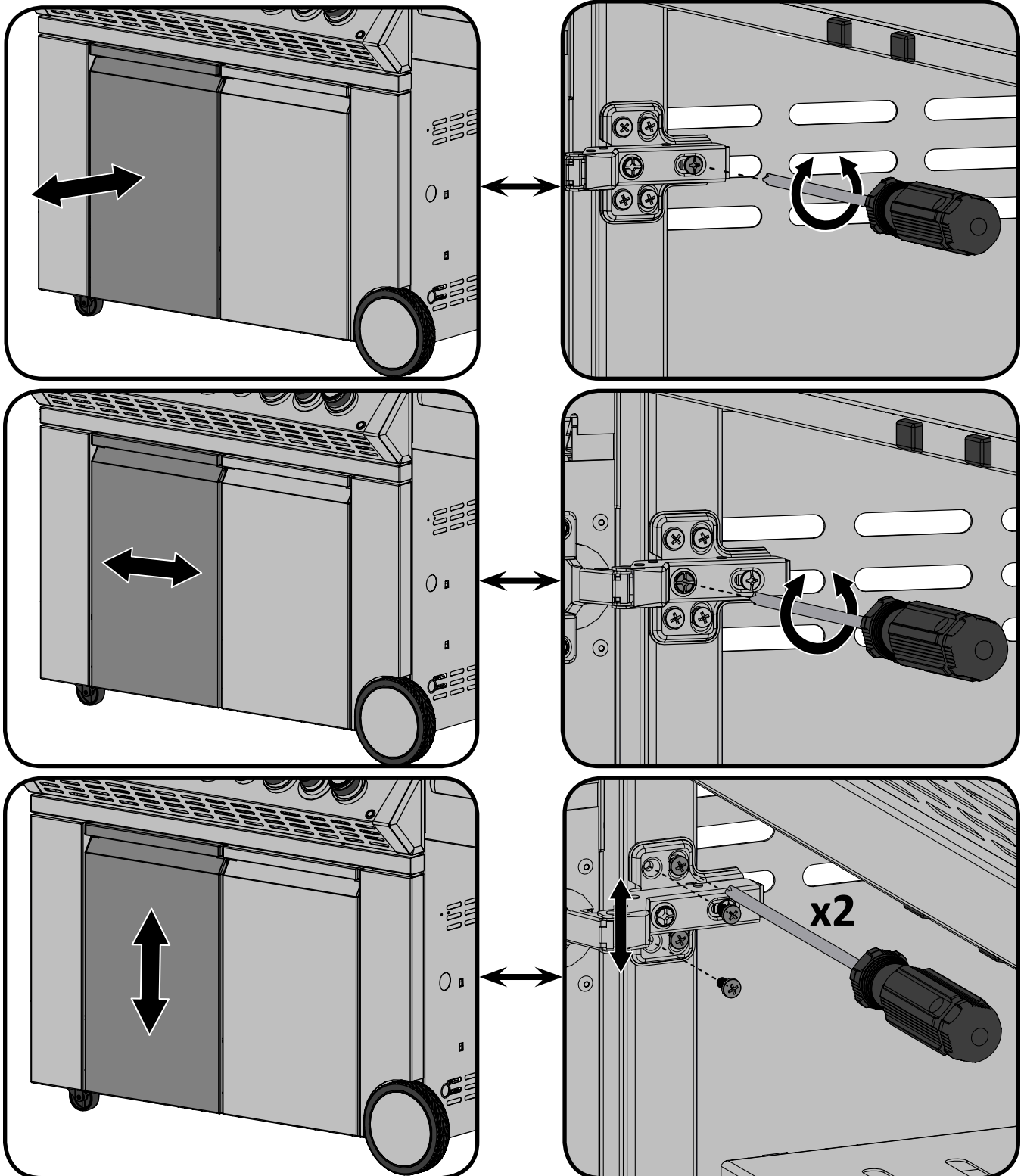
Installation de la grille de cuisson: La grille de cuisson être installée à deux niveaux différents. Le niveau inférieur est utilisé pour les chaudrons ou les poêles. Le niveau supérieur est utilisé pour saisir les aliments. Assurez-vous que le brûleur soit éteint et que la grille de cuisson soit froide au toucher avant de changer la grille de niveau. La grille doit être au niveau inférieur pour pouvoir fermer le couvercle.





The cabinet doors have been aligned at the factory but hinge adjustment may be necessary if the grill has been moved or is sitting on uneven ground. For easy hinge adjustment follow the illustrations outlined below.

Les portes du cabinet ont été alignées en usine, mais il est possible qu'un ajustement des charnières soit nécessaire dans le cas d'un grill qui aurait été déplacé ou qui aurait été déposé sur une surface inégale. Pour un ajustement facile des charnières, référez-vous aux illustrations ci-dessous.



Rotisserie Kit Assembly Instruction

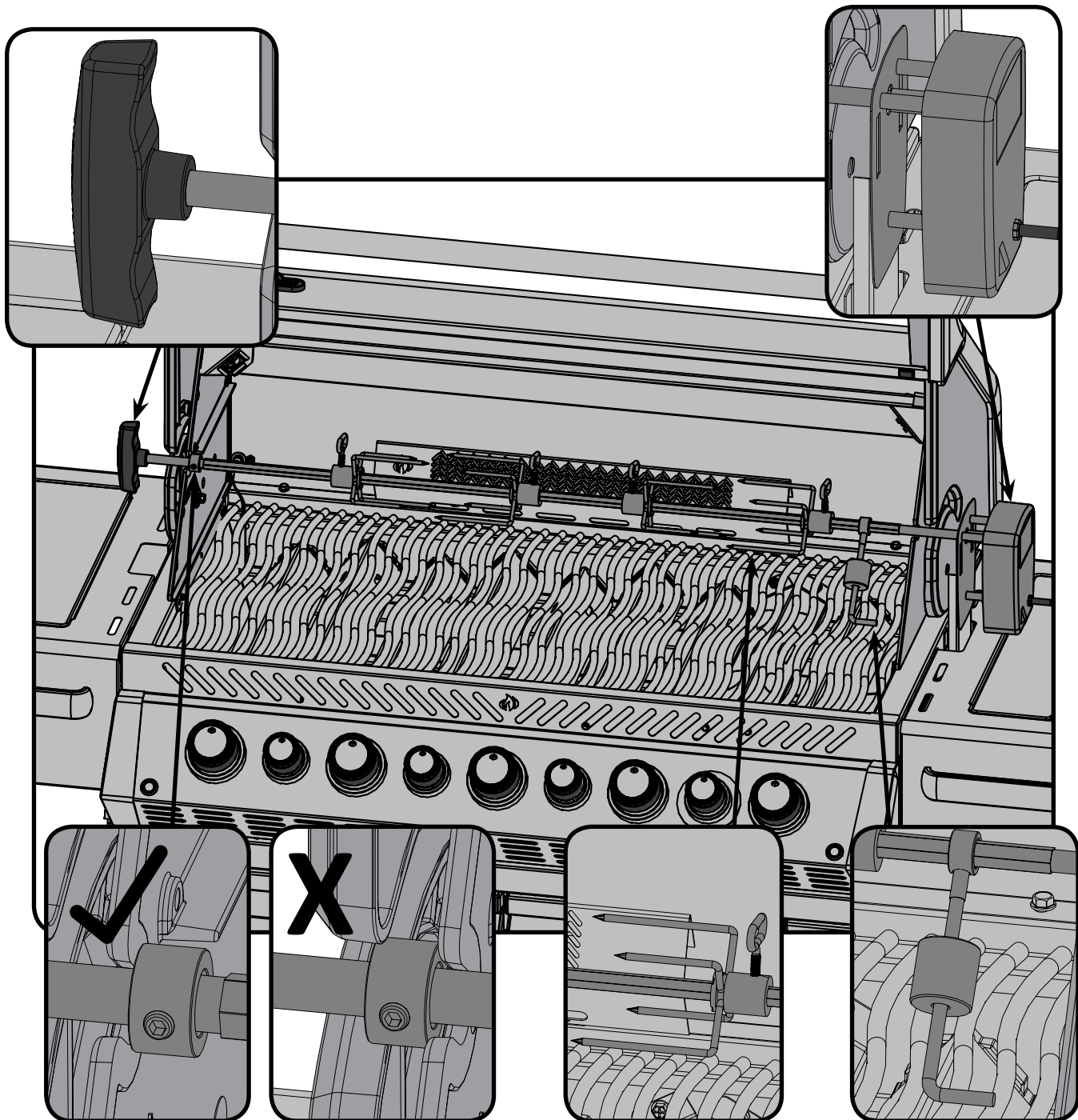
(included with most rear burner units)

Assemble rotisserie kit components as shown.

Instructions D'assemblage De L'ensemble De Rôtissoire

(inclus avec la plupart des appareils avec brûleur arrière)

Assemblez les composantes de la rôtissoire tel qu'illustré.



Ensure stop bushing is tightened on the inside of hood casting.

Assurez-vous que la bague d'arrêt soit serrée à l'intérieur de la hotte.

Providing Power To Your Grill

CAUTION! To ensure protection against electric shock, use only a Ground Fault Interrupter (GFI) protected circuit with this outdoor gas cooking appliance.

To provide power to your grill, plug a grounded electrical cord into the electrical box installed in the rear panel of your grill as shown.

- Ensure the cord is approved and marked for OUTDOOR USE.
- Do not immerse cord or plugs in water or other liquid.
- Keep electrical cords out of pathways.
- Do not let the cord hang over the edge of a table or touch hot surfaces.

To provide power to the internal lights, plug the transformer cord into the electrical box installed in the rear panel of your grill as shown. The light switch located on the control panel allows you to easily turn the internal lights on and off.

To provide power to the optional rotisserie kit, plug the rotisserie motor into the electrical box installed in the rear panel of your grill as shown.

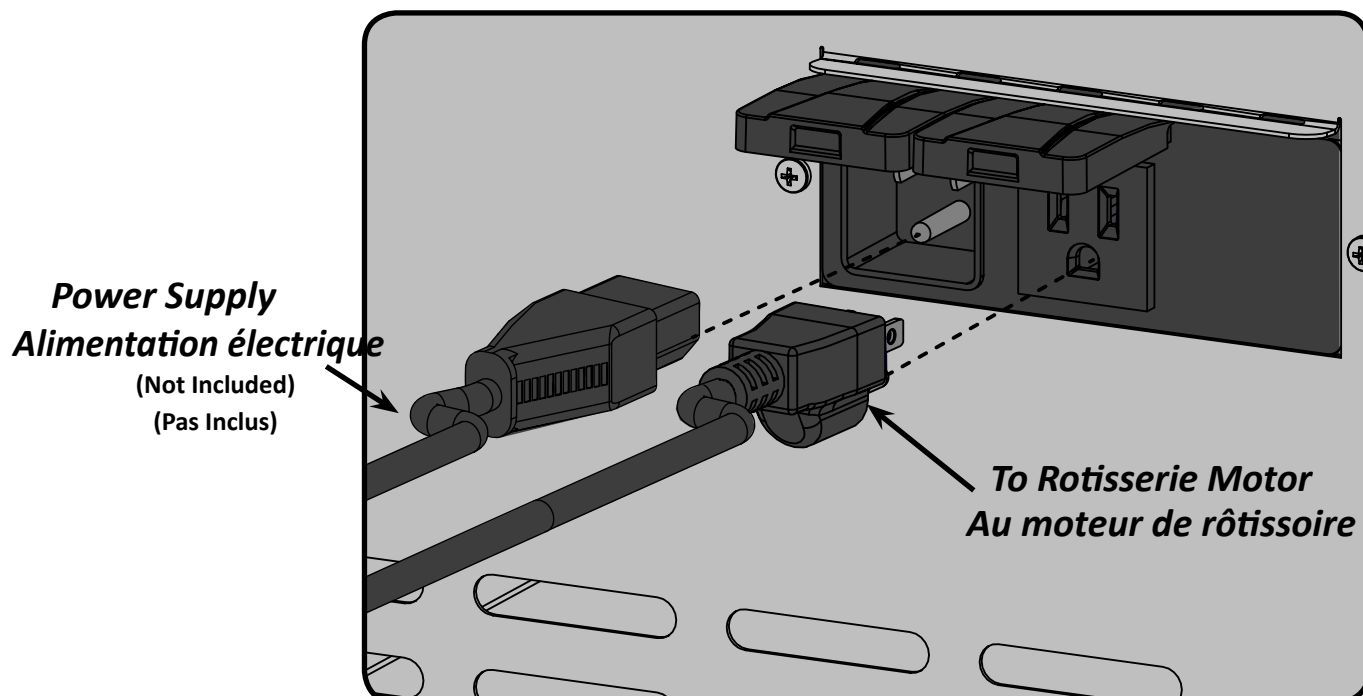
Fournir le courant à votre grill

MISE EN GARDE ! Afin de se protéger contre les décharges électriques, branchez l'appareil de cuisson extérieur au gaz sur un circuit muni d'une prise avec interrupteur de défaut à la terre seulement.

Afin de fournir du courant à votre grill, branchez un cordon électrique avec mise à la terre dans la barre d'alimentation installée sur le panneau arrière de votre grill comme illustré.

- Assurez-vous que le cordon est approuvé et identifié pour UTILISATION EXTÉRIEURE.
- Ne plongez pas le cordon ni les fiches dans l'eau ou tout autre liquide.
- Gardez les cordons d'alimentation hors des endroits passants.
- Ne laissez pas le cordon suspendre sur le bord d'une table ni toucher des surfaces chaudes.

Pour fournir du courant aux lumières intégrées, branchez la fiche du transformateur dans la barre d'alimentation installée sur le panneau arrière de votre grill comme illustré. L'interrupteur des lumières situé sur le panneau de commande vous permet de facilement allumer et éteindre les lumières intégrées. Pour fournir du courant à la rôtissoire optionnelle, branchez la fiche du moteur de la rôtissoire dans la barre d'alimentation installée sur le panneau arrière de votre grill comme illustré.



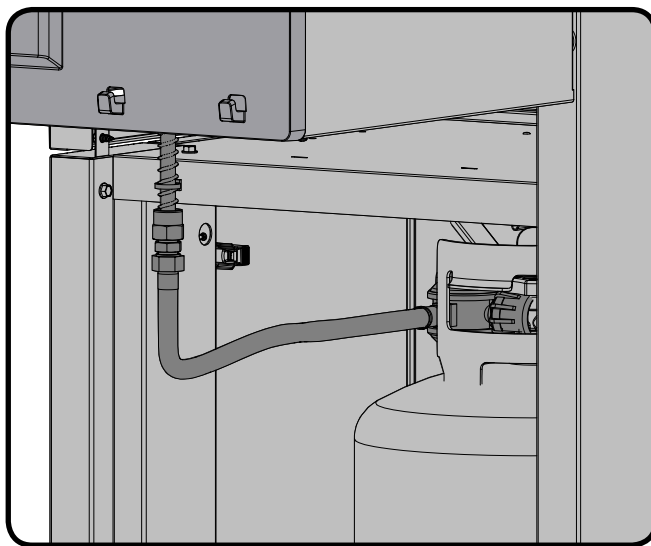
Propane Only – Proper Hose Connection

Propane Seulement - Branchement Adéquat Du Boyau



WARNING! Ensure the hose does not contact any high temperature surfaces, or it may melt and leak causing a fire.

AVERTISSEMENT! Assurez-vous que le boyau ne touche à aucune surface à haute température sinon il risque de fondre, de provoquer une fuite et causer un feu.



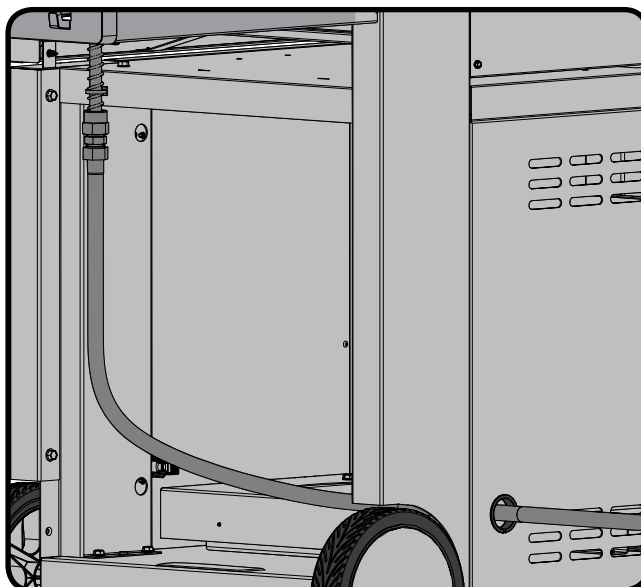
Natural Gas Only – Proper Hose Connection

Gaz Naturel Seulement - Branchement Adéquat Du Boyau



WARNING! The installation must be performed by a licensed gas fitter, and all connections must be leak tested before operating the grill.

AVERTISSEMENT! L'installation doit être effectuée par un installateur certifié pour le gaz et tous les raccordements doivent être testés pour des fuites avant de faire fonctionner le grill. Serrer la connexion avec deux clés.



Leak Testing Instructions



WARNING! A leak test must be performed annually and each time a cylinder is hooked up or if a part of the gas system is replaced.



WARNING! Never use an open flame to check for gas leaks. Be certain no sparks or open flames are in the area while you check for leaks. Sparks or open flames will result in a fire or explosion, damage to property, serious bodily injury, or death.



Leak testing: This must be done before initial use, annually, and whenever any gas components are replaced or serviced. Do not smoke while performing this test, and remove all sources of ignition. See Leak Testing Diagram for areas to check. Turn all burner controls to the off position. Turn gas supply valve on.



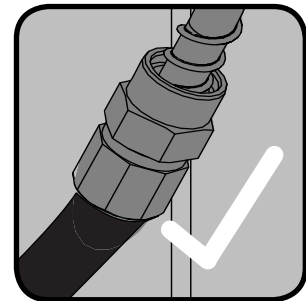
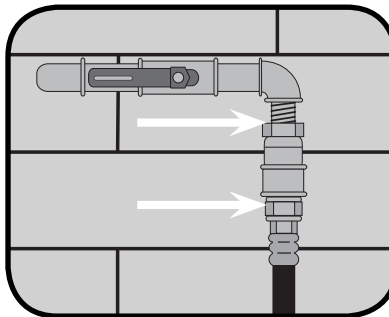
Brush a half-and-half solution of liquid soap and water onto all joints and connections of the regulator, hose, manifolds and valves.

Bubbles will indicate a gas leak. Either tighten the loose joint or have the part replaced with one recommended by the Napoleon Customer Solutions department and have the grill inspected by a certified gas installer.

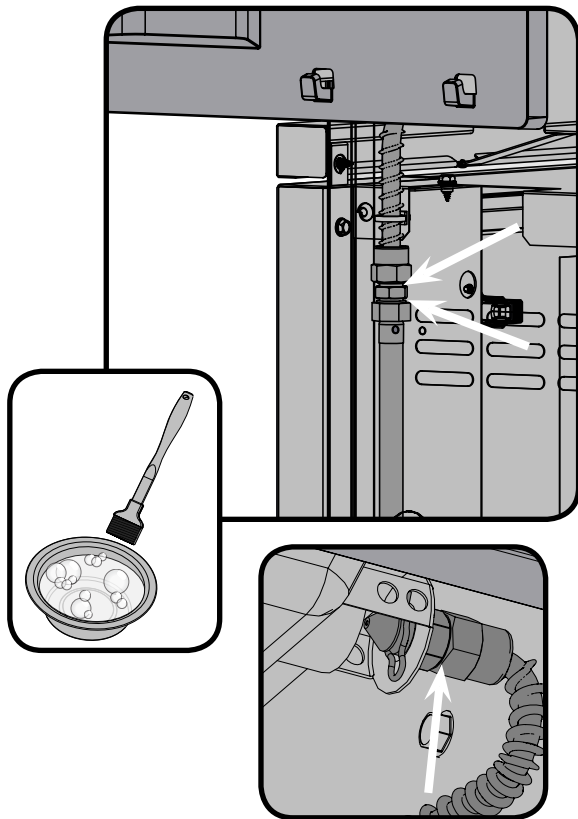
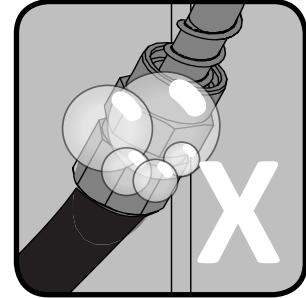
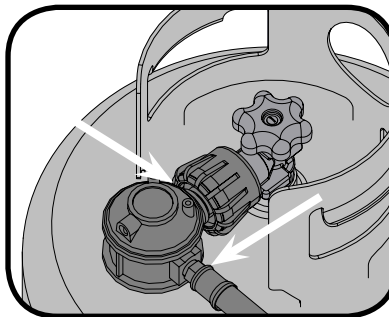


If the leak cannot be stopped, **immediately shut off the gas supply**, disconnect it, and have the grill inspected by a certified gas installer or dealer. Do not use the grill until the leak has been corrected.

Natural Gas Only



Propane Only



Test De Détection De Fuites



AVERTISSEMENT! Il doit être fait avant la première utilisation, annuellement et à chaque fois qu'une pièce du système de gaz est remplacée ou réparée



AVERTISSEMENT! N'utilisez pas une flamme nue pour vérifier pour des fuites de gaz. Assurez-vous qu'il n'y ait aucune étincelle ni flamme nue à proximité de l'endroit à vérifier. Les étincelles ou les flammes nues provoqueront un feu ou une explosion, causant des dommages matériels, des blessures graves ou des pertes de vie.



Test De Fuites: Il doit être fait avant la première utilisation, annuellement et à chaque fois qu'une pièce du système de gaz est remplacée ou réparée. Ne fumez pas et enlevez toutes sources d'allumage lorsque vous faites ce test. Consultez le schéma de test de fuites pour voir les endroits à tester.

1 - Fermez tous les boutons des brûleurs. Ouvrez la soupape de la bonbonne.

2 - Appliquez une solution de deux parts égales de savon liquide et d'eau sur tous les joints du régulateur, le tuyau et ses raccords.

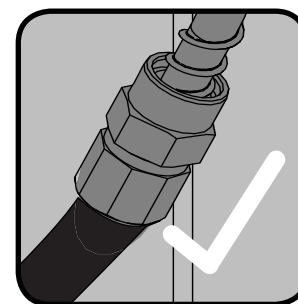
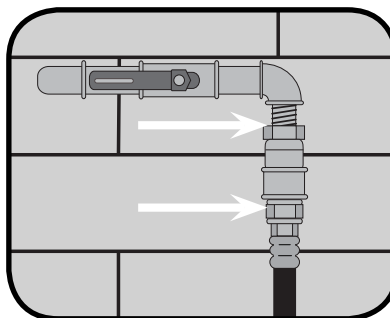
3 - Des bulles indiqueront une fuite de gaz. Resserrez le joint ou remplacez la pièce avec une autre recommandée par le détaillant.

4 - Si la fuite ne peut être réparée, **fermez l'alimentation de gaz à la bonbonne**, enlevez-la et faites inspecter votre gril par votre fournisseur de gaz ou détaillant. N'utilisez pas l'appareil jusqu'à ce que la fuite soit réparée.

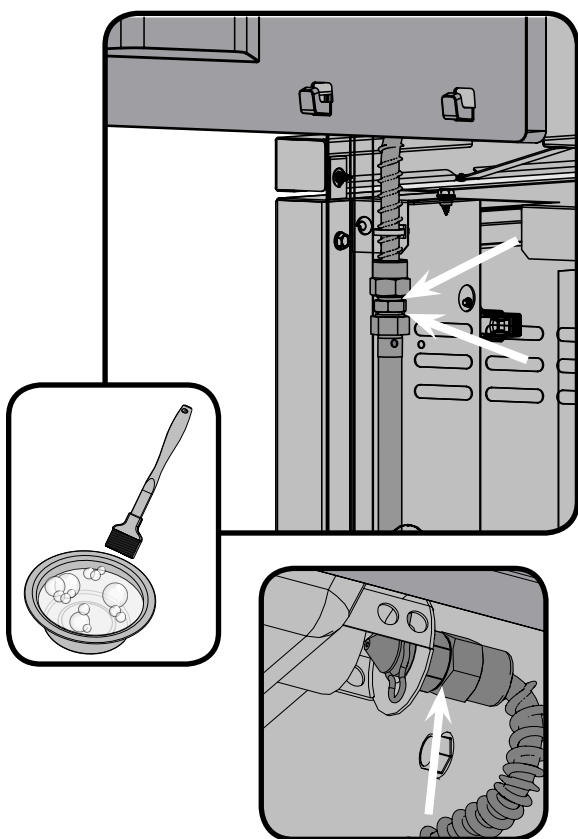
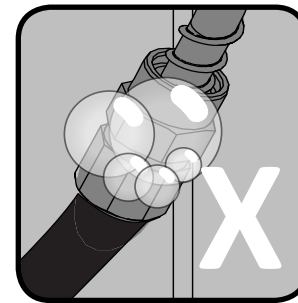
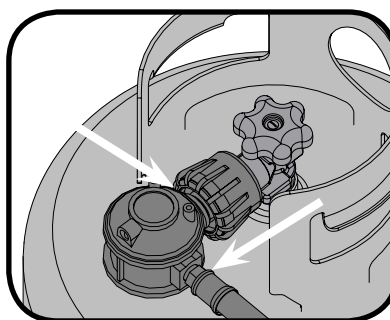
5 - Fermez la soupape de la bonbonne.



Propane Seulement



Gaz Naturel Seulement



Parts List / Liste Des Pièces

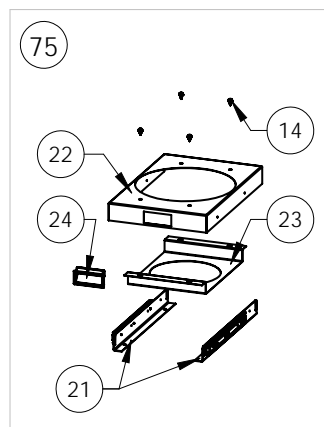
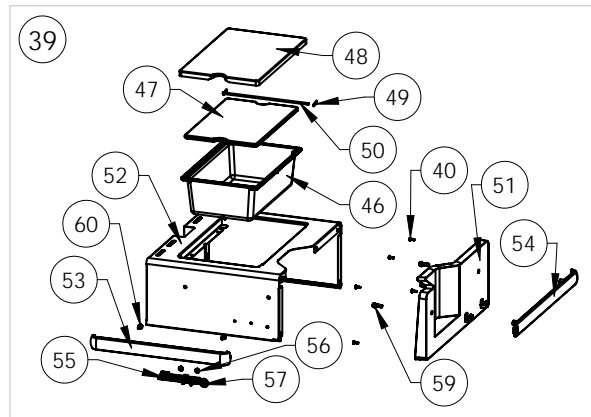
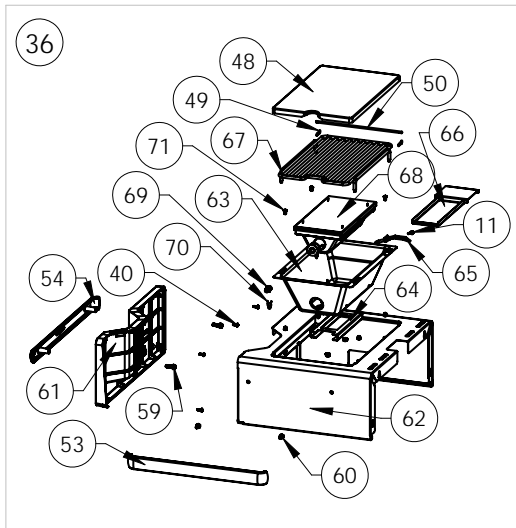
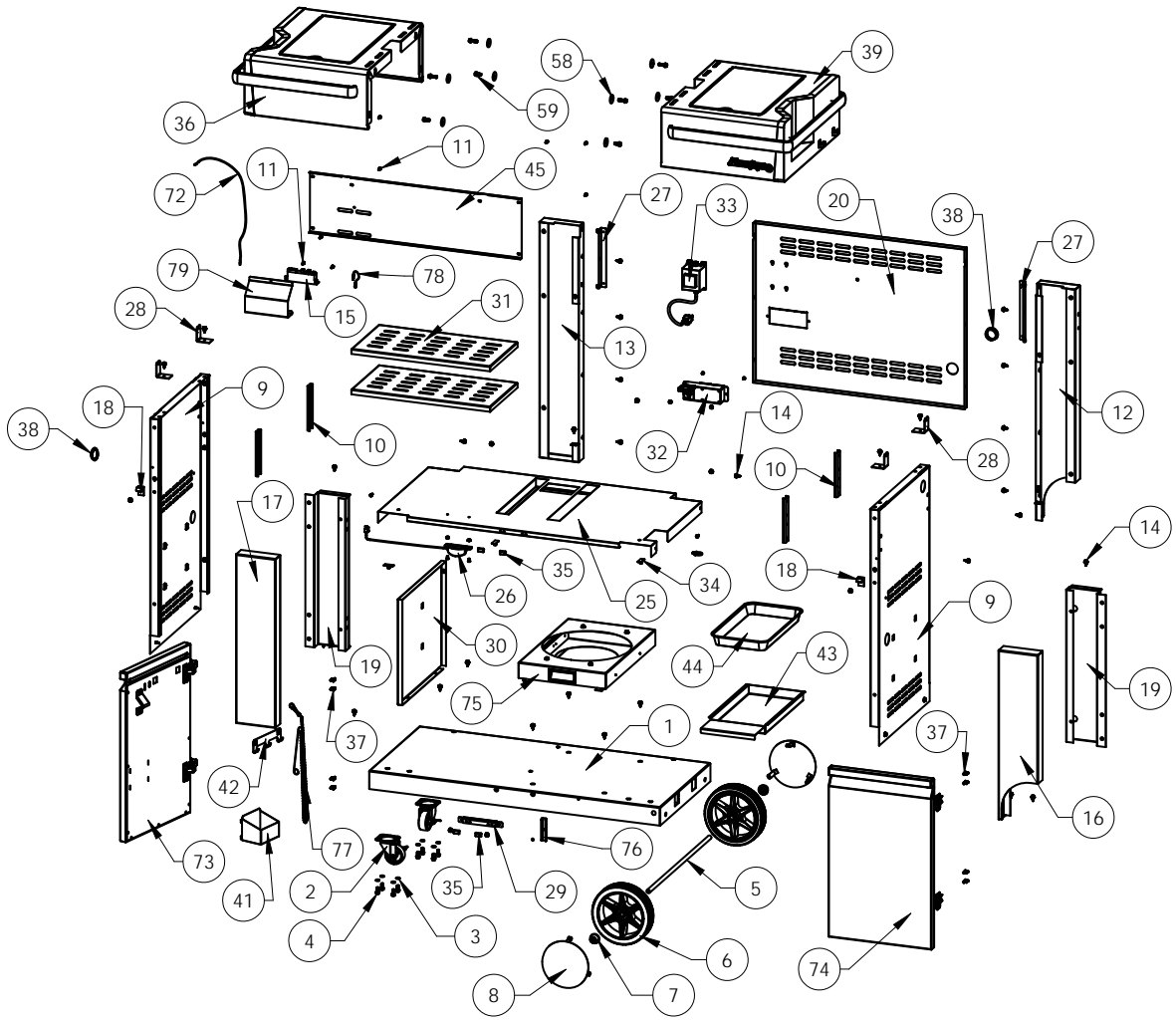
Item	Part #	Description	665
1	N010-0919-GY1SG	bottom shelf / tablettes inférieur	x
2	N130-0014	caster, locking / roulette à rotation	x
3	N735-0003	1/4" lockwasher / rondelle à ressort 1/4"	x
4	N570-0082	1/4-20 x 5/8" screw / vis 1/4-20 x 5/8"	x
5	N015-0008	axle / essieu	x
6	N745-0007	wheel / roue	x
7	N450-0023	axle cap / enjoliveur	x
8	N010-0613	wheel hub cap / couverture de roue	x
9	N475-0427-GY1SG	left-right panel / panneau gauche-droite	x
10	N080-0401-GY1SG	bracket side shelf / tablette latérale support	x
11	N570-0008	#8 x 1/2" screw / vis #8 x 1/2"	x
12	N475-0429-GY1SG	panel right rear / panneau droite arrière	x
13	N475-0428-GY1SG	panel left rear / panneau gauche arrière	x
14	N570-0086	#14 x 1/2" screw / vis #14 x 1/2"	x
15	N357-0019	ignition / allumeur	x
16	N475-0431	panel right front / panneau droite avant	x
17	N475-0430	panel left front / panneau gauche avant	x
18	N080-0318-GY1SG	bracket drip pan guide / tiroir d'égouttement support	x
19	N655-0199	stiffener door hinge / de penture support le porte	x
20	N475-0432-GY1SG	panel cabinet rear / panneau arrière	x
21	N080-0313-GY1SG-SER	bracket tank tray guide / plateau de support de réservoir	p
22	N710-0085-GY1SG	tank tray / compartiment à bonbonne	p
23	N655-0182-GY1SG	tank support / du bonbonne support	p
24	N325-0080	handle / poignée	p
25	N585-0111-GY1SG	heat shield / pare-chaleur	x
26	N010-0887	cabinet light / lumières cabinet	x
27	N080-0330-GY1SG	bracket rear cover / du couvercle arrière support	x
28	N080-0331-GY1SG	bracket base / cuve support	x
29	N080-0332-GY1SG	bracket bumper / pare-chocs du support	x
30	N475-0341-GY1SG	panel inner cabinet / panneau interne	x
31	N590-0239-GY1SG	shelf / tablette	x
32	N460-0003	receptacle / réceptacle	x
33	N707-0012	transformer / transformateur	x
34	W160-0095	wire clip / clip de fil	x
35	N510-0013	black silicone lid bumper / pare-chocs du couvercle (silicone noir)	x
36	N010-0876-SER	left side shelf / tablette latérale gauche	x
37	N570-0022	screw 8 -32 x 3/8" / vis 8 -32 x 3/8"	x
38	N105-0012	1.5 " snap bushing / 1.5 " bague à pression	x
39	N010-0875-SER	right side shelf / tablette latérale droite	x
40	N570-0076	#8 x 1/2" screw / vis #8 x 1/2"	x
41	N185-0005	bottle cap container / la bouteille détenteur bouchon	x
42	55110	tool hook bracket / support crochet d'outil	x
43	N710-0086	grease tray holder / support du récipient à graisse	x
44	62008	grease trays foil / ensemble de récipients à graisse foil	x
45	N200-0123-GY1SG	back cover / couvercle arrière	x
46	N185-0003	ice bucket / seau de glace	x

Parts List / Liste Des Pièces

Item	Part #	Description	665
47	N590-0189	cutting board / conseil de découpage	x
48	N335-0048-M02	side shelf lid / couvercle de tablette latérale	x
49	N485-0021	push pin / clavette à pression	x
50	N555-0084	side burner pivot rod / tige pivot de brûleur latéral	x
51	N120-0034-GY0TX	side shelf end cap, right / embout en de le tablette latéral, droite	x
52	N010-0875	stainless steel side shelf right / tablette latérale en acier inoxydable droite	x
53	N325-0063	shelf handle front / poignée de tablette avant	x
54	N325-0064	shelf handle side / poignée de tablette latéral	x
55	N385-0144-SER	prestige logo / logo prestige	x
56	N450-0044	logo clips / écrous pour logo	x
57	N385-0185	pro logo / logo pro	x
58	N735-0001	washer side shelf / rondelle tablette latérale	x
59	N570-0087	1/4-20 x 7/8" screw / vis 1/4-20 x 7/8"	x
60	N570-0038	1/4-20 x 1/2" screw / vis 1/4-20 x 1/2"	x
61	N120-0033-GY0TX	side shelf end cap left / embout en de le tablette latéral gauche	x
62	N010-0876	stainless steel side shelf left / tablette latérale en acier inoxydable gauche	x
63	N500-0039K	side burner plate / plateau de brûleur latéral	x
64	N080-0358	side burner drip pan bracket / support pour de brûleur latéral tiroir d'égouttement	x
65	N240-0026	side burner electrode / de brûleur latéral electrode	x
66	N710-0063	side burner drip pan / de brûleur latéral tiroir d'égouttement	x
67	N305-0076	side burner grate / grille de brûleur latéral	x
68	N010-0612	side burner / brûleur latéral	x
69	N455-0067	orifice side burner / orifice de brûleur latéral	p
	N455-0068	orifice side burner / orifice de brûleur latéral	n
70	N160-0023	side burner hose orifice retainer clip / clip de brûleur latéral	x
71	N570-0042	screw 10-24 x 3/8" / vis 10-24 x 3/8"	x
72	N750-0018	electronic ignition lead / fil allumeur électronique	x
73	N010-0802	door left / de porte gauche	x
74	N010-0803	door right / de porte droite	x
75	N710-0085-GY1SG-SER	tank tray / compartiment à bonbonne	p
76	N080-0350-GY1SG	bracket tank tray / compartiment à bonbonne support	p
77	N555-0025	lighting rod / paratonnerre	x
78	N750-0033	ground wire / fil mise à terre	x
79	N585-0107	igniter heat shield / bouclier thermique l'allumeur	x

x - standard
 p - propane units only
 n - natural gas units only
 ac - accessory

x - compris
 p - appareils propane seulement
 n - appareils gaz naturel seulement
 ac - accessoires



Parts List / Liste Des Pièces

ITEM	PART #	DESCRIPTION	665
101	N010-0791	base / cuve	x
102	N570-0087	1/4-20 x 7/8" screw / vis 1/4-20 x 7/8"	x
103	N570-0038	1/4-20 x 1/2" screw / vis 1/4-20 x 1/2"	x
104	N100-0048	main burner / brûleur principal	x
105	N100-0049	smoker burner / brûleur fumaison	x
106	N080-0320	cross light bracket / support pour l'allumage croisé du brûleur principal	x
107	N080-0321	cross light bracket small / support pour l'allumage croisé du brûleur principal petite	x
108	N080-0342	sear plate mount / plaque de brûleur support	x
109	N200-0106	smoker burner cover / couvercle brûleur fumaison	x
110	N510-0013	black silicone lid bumper / pare-chocs du couvercle (silicone noir)	x
111	N080-0329	burner grease shield / plaque de brûleur	x
112	N450-0025	1/4" - 20 nut / écrou 1/4" - 20	x
113	N080-0315	bracket rear burner orifice / support des orifices brûleur arrière	x
114	N455-0055	rear burner orifice / des orifices brûleur arrière	p
	W456-0050	rear burner orifice / des orifices brûleur arrière	n
115	N255-0058	90 degree elbow fitting / raccord	x
116	N080-0311	bracket igniter smoke burner / brûleur fumaison support allumeur	x
117	N720-0056	smoker burner flex / brûleur fumaison connecteur flexible	x
118	N455-0016	smoker burner orifice / brûleur fumaison des orifice	p
	N455-0002	smoker burner orifice / brûleur fumaison des orifice	n
119	N240-0033	smoker burner igniter / brûleur fumaison allumeur	x
120	N655-0183	base stiffener / cuve stiffener	x
121	N570-0042	screw, 10-24 x 3/8" / vis 10-24 x 3/8"	x
122	N570-0008	#8 x 1/2" screw / vis #8 x 1/2"	x
123	N010-0927	assembly control panel / ensemble du panneau de contrôle	p
	N010-0926	assembly control panel / ensemble du panneau de contrôle	n
124	N475-0328	control panel / panneau de contrôle	x
125	N570-0078	screw M4 x 8mm / vis M4 x 8mm	x
126	N010-0792	manifold / ensemble de soupape	p
	N010-0793	manifold / ensemble de soupape	n
127	N720-0071	manifold flex connector / connecteur flexible du collecteur	x
128	N255-0059	fitting / raccord	x
129	N530-0050	regulator lpg / tuyau de régulateur	p
	N345-0014	10ft n/g hose w/quick disconnect / tuyau de 10 pieds avec débranchement rapide	n
130	N720-0055	side burner supply tube / brûleur latéral connecteur flexible du collecteur	x
131	N120-0024	end cap left / embout panneau de contrôle gauche	x
132	N120-0025	end cap right / embout panneau de contrôle droite	x
133	N660-0006	switch lights / commutateur de lumière	x
134	N660-0005	switch ignition / commutateur l'allumeur	x
135	N585-0098	switch heat shield / pare-chaleur commutateur	x
136	N010-0912	control panel wire harness / panneau de contrôle fil harnais	x
137	N010-0882	control knob bezel large / monture de bouton de commande grande	x
138	N010-0883	control knob bezel small / monture de bouton de commande petite	x
139	N380-0024-CL	burner control knob large / bouton de contrôle grande	x
140	N380-0025-CL	burner control knob small / bouton de contrôle petite	x
141	N010-0800-SER	smoker tray / plateau de fumeur	x

Parts List / Liste Des Pièces

ITEM	PART #	DESCRIPTION	665
142	N380-0025-BK	burner control knob small black / bouton de contrôle petite noir	x
143	N051-0010	smoker tube bezel / brûleur fumaison monture de bouton	x
144	N570-0022	screw, 8-32 x 3/8" / vis 8-32 x 3/8"	x
145	N051-0012	control knob bezel small / monture de bouton de commande petite	x
146	N010-0800	smoker tube / tube de fumeur	x
147	N720-0053	rear burner supply tube / brûleur arrière approvisionnement	x
148	N350-0069	rear burner housing (infra-red) / boîtier du brûleur arrière (infra-red)	x
149	N100-0045	rear burner / brûleur arrière	x
150	N450-0006	1/4" - 20 nut / écrou 1/4" - 20	x
151	N240-0034	rear burner electrode / électrode du brûleur arrière	x
152	N305-0082	sear plate / plaque de brûleur	x
153	N305-0085	cooking grids large / grille de cuisson grande	x
154	N305-0092	cooking grids small / grille de cuisson petite	x
155	N585-0101	smoker shield / bouclier de fumeur	x
156	N135-0015G	left side hood casting / moulage gauche du couvercle	x
157	N135-0016G	right side hood casting / moulage droite du couvercle	x
158	N335-0073-BK2GL	hood insert / couvercle	x
	N010-0932	hood assembly / couvercle	x
159	N570-0012	1/4"-20 X 5/8 carriage bolt / boulon 1/4"-20 X 5/8	x
160	W735-0011	3/4" washer / rondelle 3/4"	x
161	N570-0073	1/4-20 x 5/8" screw / vis 1/4-20 x 5/8"	x
162	N350-0072	housing left light / boîtier lumière gauche	x
163	N350-0073	housing right light / boîtier lumière droite	x
164	N402-0017	light / lumière	x
	W387-0006	replacement bulb / ampoule de remplacement	ac
165	N450-0009	10-24 nut / écrou 10-24	x
166	N520-0037	warming rack / grille-rechaud	x
167	N475-0301-M06	rotisserie mount / support de la rôtisserie	x
168	N200-0110	light wire cover / couvercle fil lumière	x
169	N570-0112	screw 10-24 x 5/8" / vis 10-24 x 5/8"	x
170	N135-0036G	left side lid casting / moulage gauche du couvercle	x
171	N715-0091	trim left side lid casting / gamiture moulage gauche du couvercle	x
172	N135-0037G	right side lid casting / moulage droite du couvercle	x
173	N715-0092	trim right side lid casting / gamiture moulage droite du couvercle	x
174	N335-0072	stainless steel lid insert / couvercle en acier inoxydable	x
	N335-0086-BK2GL	black lid insert / couvercle en noir	sp
175	N585-0092	lid heat shield / couvercle pare-chaueur	x
176	N385-0308-SER	NAPOLEON logo/ logo NAPOLEON	x
177	N450-0044	logo clips / écrous pour logo	x
178	N685-0004C	temperature gauge / jauge de température	x
179	N010-0789	lid handle / poignée du couvercle	x
180	N080-0253G	lid handle cover / couverture poignée du couvercle	x
181	N570-0013	#8 x 5/8" screw / vis #8 x 5/8"	x
182	N735-0002	1/4" lock washer / rondelle à ressort 1/4"	x
183	N570-0015	lid pivot screw / vis du pivot	x
184	N570-0024	1/4-20 x 1/2" screw / vis 1/4-20 x 1/2"	x

Parts List / Liste Des Pièces

ITEM	PART #	DESCRIPTION	665
185	N010-0788	drip pan / tiroir d'égouttement	x
186	N010-0790-SS	assembly lid - stainless steel / ensemble du - acier inoxydable	x
	N010-0790-BK	assembly lid - black / ensemble du - noir	sp
187	N010-0886	igniter wire assembly / ensemble fil allumeur	x
188	N750-0044	power wire harness / harnais de électricité	x
189	N750-0045	right light wire harness / harnais de lumière	x
190	N750-0038	smoke burner ignition wire / brûleur fumaison fil allumeur	x
191	N370-0136	rotisserie kit / ensemble de la rôtissoire	x
192	N555-0060	spit rod / tige de la rôtissoire	x
193	N570-0020	8-32 x 3/8" screw / vis 8-32 x 3/8"	x
194	N735-0021	#8 washer / rondelle #8	x
195	N750-0040	rear burner ignition wire / brûleur arrière fil allumeur	x
	N215-0015	wind deflector / du déflecteur	ac
	68667	vinyl cover / housse en vinyle	ac
	56018	stainless steel griddle / plaque de cuisson en acier inoxydable	ac
	56040	cast iron griddle / fonte plaque de fer	ac
	67731	charcoal tray / support à charbon	ac

x - standard
p - propane units only
n - natural gas units only
ac - accessory
sp -special edition

x - compris
p - appareils propane seulement
n - appareils gaz naturel seulement
ac - accessoires
sp - édition spéciale

Notes



Notes

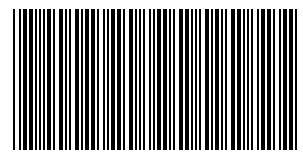


Notes





Napoleon products are protected by one or more U.S. and Canadian and/or foreign patents or patents pending.
Les produits de Napoléon sont protégés par notre brevet d'invention dans les pays États Unis, Canada et international.



N415-0407