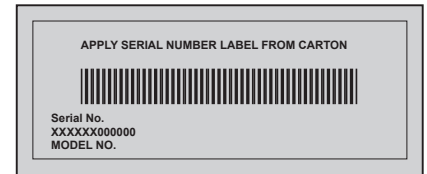


This gas grill must be used only outdoors in a well-ventilated space and must not be used inside a building, garage, screened-in porch, gazebo or any other enclosed area.

EN



495, 495SB



DANGER

IF YOU SMELL GAS:

- Shut off gas to the appliance.
- Extinguish any open flame.
- Open lid.
- If odor continues, keep away from the appliance and immediately call your gas supplier or fire department.



WARNING

Do not try to light this appliance without reading the "LIGHTING" instructions section of this manual.

Do not store or use gasoline or other flammable liquids or vapors in the vicinity of this or any other appliance. An L.P. cylinder not connected for use must not be stored in the vicinity of this or any other appliance. If the information in these instructions is not followed exactly, a fire or explosion may result, causing property damage, personal injury or death.

Notice to Installer: Leave these instructions with the grill owner for future reference.



0359-12

Napoleon Appliance Corp.,
214 Bayview Dr., Barrie, Ontario, Canada L4N 4Y8 Phone: 1-866-820-8686
Fax: (705)725-2564 email: wecare@napoleonproducts.com web site: www.napoleongrills.com

Z415-0011CE Oct 06/13

THANK YOU FOR CHOOSING NAPOLEON

NAPOLEON products are designed with superior components and materials, and are assembled by trained craftsmen who take great pride in their work. The burner and valve assembly are leak tested and test-fired at a quality test station. This grill has been thoroughly inspected by a qualified technician before packaging and shipping to ensure that you, the customer, receive the quality product you expect from NAPOLEON.

We at Napoleon are dedicated to you, "our valued customer." It is our goal to provide you with the necessary tools for an unforgettable grilling experience. This manual is provided to assist you in assuring your new grill is assembled, installed, maintained and cared for properly. It is important to read and understand this entire manual before operating your new grill to ensure you fully understand all the safety precautions and features your grill has to offer. By carefully following these instructions, you will enjoy years of trouble-free grilling. If this product fails to meet your expectations, for any reason, please call our customer care department at 1-866-820-8686 between 9 AM and 5 PM (Eastern Standard Time) or visit our Website at www.napoleongrills.com.

Napoleon Gas Grill President's Limited Warranty

NAPOLEON warrants the following materials and workmanship in your new NAPOLEON gas grill against defects for 10 years. This covers aluminum castings (excluding paint), stainless steel control panel (excluding screen printing) and stainless steel burners, subject to the following conditions: During the first 5 years NAPOLEON will provide replacement parts at our option free of charge. From the sixth year to the tenth year, NAPOLEON will provide replacement parts at 50% of the current retail price.

Stainless steel or porcelain lid and base inserts, and lid handles are covered against defects for 5 years, subject to the following conditions: During the first 3 years NAPOLEON will provide replacement parts at our option free of charge. For the fourth and fifth year, NAPOLEON will provide replacement parts at 50% of the current retail price.

All other components including stainless steel or porcelain sear plates, stainless steel or cast iron cooking grids, valves, ignition system, temperature gauges, knobs, regulators, casters, warming racks, hoses and connectors, fasteners and accessories are covered and NAPOLEON will provide parts free of charge during the first year of the limited warranty.

NAPOLEON shall not be liable for any transportation charges, labor costs or export duties.

Conditions And Limitations

"NAPOLEON warrants its products against manufacturing defects to the original purchaser only, provided that the purchase was made through an authorized NAPOLEON dealer and is subject to the following conditions and limitations:"

This factory warranty is non-transferable and may not be extended what-so-ever by any of our representatives.

The gas grill must be installed by a licensed, authorized service technician or contractor. Installation must be done in accordance with the installation instructions included with the product and all local and national building and fire codes.

This limited warranty does not cover damages caused by misuse, lack of maintenance, grease fires, hostile environments, accident, alterations, abuse or neglect and parts installed from other manufacturers will nullify this warranty.

This limited warranty further does not cover any scratches, dents, painted finishes, corrosion or discoloring by heat, abrasive and chemical cleaners, nor chipping on porcelain enamel parts, nor any components used in the installation of the gas grill.

Should deterioration of parts occur to the degree of non-performance within the duration of the warranted coverage, a replacement part will be provided.

In the first year only, this warranty extends to the replacement of warranted parts, which are defective in material or workmanship provided that the product has been operated in accordance with the operation instructions and under normal conditions.

After the first year, with respect to this President's Limited Lifetime Warranty NAPOLEON may, at its discretion, fully discharge all obligations with respect to this warranty by refunding to the original warranted purchaser the wholesale price of any warranted but defective part(s).

NAPOLEON will not be responsible for the installation, labor or any other costs or expenses related to the re-installation of a warranted part, and such expenses are not covered by this warranty.

Notwithstanding any provision contained in this President's Limited Lifetime Warranty NAPOLEON's responsibility under this warranty is defined as above and it shall not in any event extend to any incidental, consequential, or indirect damages.

This warranty defines the obligation and liability of NAPOLEON with respect to the NAPOLEON gas grill and any other warranties expressed or implied with respect to this product, its components or accessories are excluded.

NAPOLEON neither assumes, nor authorizes any third party to assume, on its behalf, any other liabilities with respect to the sale of this product.

NAPOLEON will not be responsible for: over firing, blow outs caused by environmental conditions such as strong winds, or inadequate ventilation,

Any damages to the gas grill due to weather damage, hail, rough handling, damaging chemicals or cleaners will not be the responsibility of NAPOLEON.

The bill of sale or copy will be required together with a serial number and a model number when making any warranty claims from NAPOLEON.

NAPOLEON reserves the right to have its representative inspect any product or part prior to honoring any warranty claim.

NAPOLEON shall not be liable for any transportation charges, labor costs, or export duties.



WARNING! Failure to follow these instructions could result in property damage, personal injury or death. Read and follow all warnings and instructions in this manual prior to operating grill.

Safe Operating Practices

- This gas grill must be assembled exactly according to the instructions in the manual. If the grill was store assembled, you must review the assembly instructions to confirm correct assembly and perform the required leak tests before operating the grill.
- Read the entire instruction manual before operating the gas grill.
- Under no circumstance should this gas grill be modified.
- Follow lighting instructions carefully when operating grill.
- Gas must be turned off at the propane cylinder or at the natural gas supply valve when the gas grill is not in use.
- Keep children and pets away from hot grill, DO NOT allow children to climb inside cabinet.
- Children should be supervised to ensure that they do not play with the appliance.
- This appliance is not intended for use by persons (including children) with reduced physical, sensory or mental capabilities, or lack of experience and knowledge, unless they have been given supervision or instruction concerning use of the appliance by a person responsible for their safety.
- Do not leave the grill unattended while in use.
- Do not move grill when hot or operating.
- This grill is for household use only.
- This gas grill must not be installed in or on recreational vehicles and/or boats.
- This gas grill must only be stored outdoors in a well-ventilated area and must not be used inside a building, garage, screened -in porch or any other enclosed area.
- Maintain proper clearance to combustibles (16" (410mm) to rear of unit 7" (180mm) to sides). Additional clearance 24" (610mm) is recommended near vinyl siding or panes of glass.
- At all times keep the ventilation openings of the cylinder enclosure free and clear from debris.
- Do not operate unit under any combustible construction.
- Do not locate in windy settings. High winds adversely affect the cooking performance of the gas grill.
- When the gas grill is stored indoors, the propane cylinder must be disconnected from the grill and stored outdoors in a well-ventilated area, disconnected cylinders must not be stored in a building, garage or other enclosed area. Natural gas units must be disconnected from the supply when being stored indoors.
- Inspect the gas line hose before each use. If there is evidence of excessive abrasion or wear, it must be replaced before using the gas grill, with a replacement hose assembly specified by the grill manufacturer.
- Never store a spare LP gas cylinder under or near this grill.
- Never fill the cylinder beyond 80 % full.
- Do not attempt to use a cylinder, which is not equipped with a QCC1 type connection.
- Leak test all connections before initial use, even if the grill was purchased fully assembled, annually or whenever any gas component has been replaced.
- Never use natural gas in a unit designed for liquid propane gas.
- Never use lighter fluid in a gas grill.
- Use charcoal briquettes only with a Napoleon charcoal tray designed for this unit.
- Burner controls must be off when turning supply cylinder on.
- Do not light burners with lid closed.
- Do not operate rear burner with main burners operating.
- The lid is to be closed during the preheat period.
- Do not route hose underneath drip pan-proper hose clearance to bottom of unit must be maintained.
- Clean grease tray and sear plates regularly to avoid build-up, which may lead to grease fires.
- Remove warming rack before lighting rear burner. The extreme heat will damage the warming rack.
- Ensure sear plates are positioned properly according to sear plate installation instructions.
- Do not use side shelves to store lighters, matches or any other combustibles.
- Keep gas line away from heated surfaces
- Keep any electrical supply cord away from water or heated surfaces.
- Inspect infrared burner venturi tube for spider webs and other obstructions periodically. Clean the tubes completely if you find any such obstructions.
- The outdoor cooking gas grill and its individual shutoff valve must be disconnected from the gas supply piping system during any pressure testing of that system at test pressures in excess of 0.5psi (3.5kPa).
- The outdoor cooking gas grill must be isolated from the gas supply piping system by closing its individual manual shutoff valve during any pressure testing of the gas supply piping system at test pressures equal to or less than 1/2 psi (3.5 kPa).



Correct Disposal Of This Product

This marking indicates that this product should not be disposed with other household wastes throughout the EU. To prevent possible harm to the environment or human health from uncontrolled waste disposal, recycle it responsibly to promote the sustainable reuse of material resources. To return your used device, please use the return and collection systems or contact the retailer where the product was purchased. They can take this product for environmental safe recycling.

Gas Cylinder

Use only gas cylinders, which meet national and regional codes. The minimum cylinder size for butane units is 13kg, and for propane units is 6kg. Ensure that the cylinder can provide enough fuel to operate the appliance. If in doubt, check with your local gas supplier.

- Use caution when handling the cylinder valve.
- Never connect a cylinder, which does not meet local codes.

All cylinders 7kg or larger must be placed outside the enclosure (under the right side shelf) on level ground. Cylinders smaller than 7kg (maximum size 465mm high by 306mm wide) may be placed inside the enclosure, on the right side of the bottom shelf. Only cylinders connected to the appliance may be stored in the enclosure, or close to the appliance. Spare cylinders must not be stored in the enclosure, or in close proximity of an operating unit. Cylinders must not be exposed to extreme heat or direct sunlight.



WARNING! Ensure that the hose is routed to maintain proper clearance to the underside of the unit. Hoses that contact high temperature surfaces may melt and leak, causing a fire.

Cylinder Connection: Ensure that the gas regulator hose is kink free. Remove the cap or plug from the cylinder fuel valve. Tighten regulator to cylinder valve. *Leak test all joints prior to using the barbecue.* A leak test must be performed annually, and each time a cylinder is hooked up, or if a part of the gas system is replaced.



WARNING!

- Do not route hose underneath drip pan.
- Do not route hose between space in bottom shelf and back panel.
- Do not route hose over top of back panel.
- Ensure all connections are tightened using two wrenches. Do not use Teflon tape or pipe dope on any hose connection.
- Ensure the hose does not contact any high temperature surfaces, or it may melt and leak causing a fire.
- Do not use enclosure to store excess hose, as there is a greater chance of the hose contacting a hot surface, it may melt and leak causing a fire.

Gas Hose

- If the hose and regulator are not included by the manufacturer, then only hoses and regulators which meet national and regional codes are to be used.
- Ensure that the hose does not come into contact with grease, other hot drippings, or any hot surfaces on the appliance.
- Check hose regularly. In the case of rips, melting or wear, replace hose before using the appliance.
- The recommended hose length is 0.5m. The hose must not be longer than 1.5m.
- Ensure that the hose is twist and kink free when installed.
- Replace the hose before expiry date printed on the hose.

Technical Data

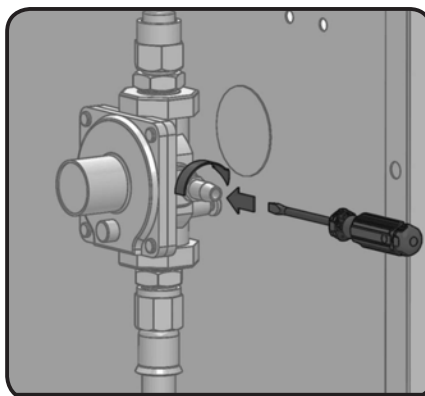
The following table lists input values for the appliance.

Burner	Orifice Size	(Gross) Heat Input (Total)	Gas Usage (Total)
Main	1.07mm (#58)	16.0 kw	1160 g/hr
Side	0.82mm	2.4 kw	174 g/hr

Certified Gases / Pressures - Check rating plate to ensure that it corresponds with following list.

Gas Category	'3B/P(30)	'3+(28-30/37)	'3B/P(37)	'3B/P(50)
Gases / Pressures	Butane 30mbar Propane 30mbar	Butane 28-30mbar Propane 37mbar	Butane 37mbar Propane 37mbar	Butane 50mbar Propane 50mbar
Countries	BE, BG, CY, DK, EE, FI, FR, GB, HR, HU, IS, IT, LT, LU, MT, NL, NO, RO, SE, SI, SK, TR	BE, CH, CY, CZ, ES, FR, GB, GR, IE, IT, LT, LU, LV, PT, SK, SI	PL	AT, CH, DE, SK

Do not tamper with or modify regulator. Use only regulator which supply the pressure listed in the table above. A regulator of 28 – 30 mbar must be used for butane or a 37 mbar regulator for propane. The grill is equipped with an internal regulator. This internal regulator has an outlet pressure of 24.5 mbar for propane/butane and must not be modified or adjusted. For replacement, use only the regulator specified by the manufacturer.



This unit includes an internal regulator which stabilizes the gas pressure and improves grill performance. This regulator cannot be adjusted. There is a pressure tap located on the side of the regulator. It can be used by a qualified service person when servicing the grill to determine if the regulator is functioning properly. The screw within the pressure tap must always be kept tight, except when performing a pressure test on the regulator (qualified service personnel only).

Leak Testing Instructions



WARNING! A leak test must be performed annually and each time a cylinder is hooked up or if a part of the gas system is replaced.



WARNING! Never use an open flame to check for gas leaks. Be certain no sparks or open flames are in the area while you check for leaks. Sparks or open flames will result in a fire or explosion, damage to property, serious bodily injury, or death.



Leak testing: This must be done before initial use, annually, and whenever any gas components are replaced or serviced. Do not smoke while performing this test, and remove all sources of ignition. See Leak Testing Diagram for areas to check. Turn all burner controls to the off position. Turn gas supply valve on.



Brush a half-and-half solution of liquid soap and water onto all joints and connections of the regulator, hose, manifolds and valves.

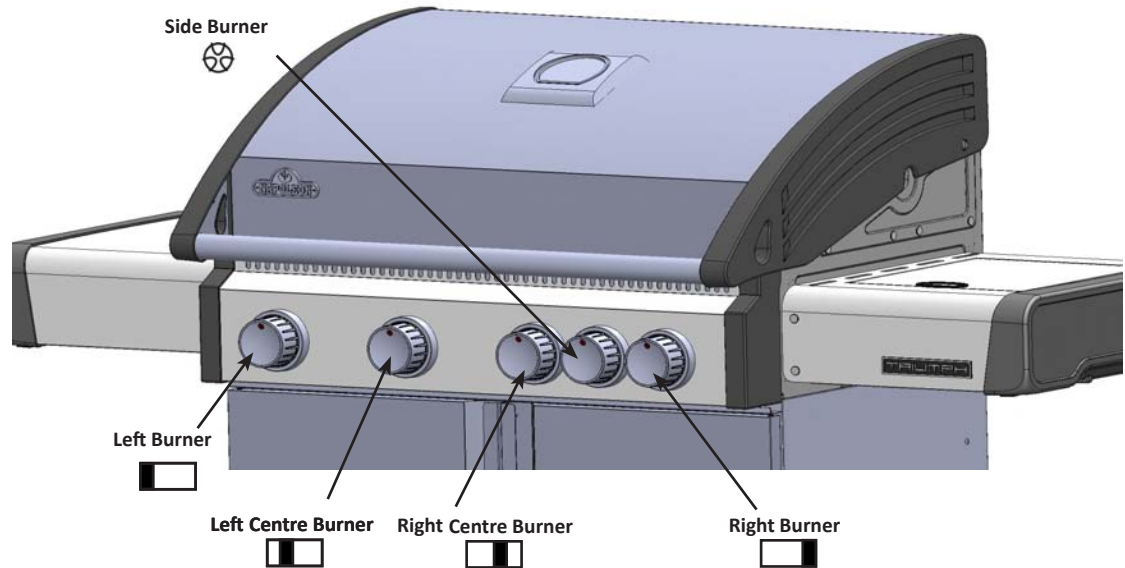


Bubbles will indicate a gas leak. Either tighten the loose joint or have the part replaced with one recommended by the Napoleon Customer Care department and have the grill inspected by a certified gas installer.

If the leak cannot be stopped, immediately shut off the gas supply, disconnect it, and have the grill inspected by a certified gas installer or dealer. Do not use the grill until the leak has been corrected.

Lighting Instructions

EN



WARNING! Open lid.

WARNING! Ensure all burner controls are in the off position. Turn on the gas supply valve.

Off Position



Main Burner Lighting	Rear Burner Lighting (If equipped)	Side Burner Lighting (If equipped)
1. Open grill lid.	1. Open grill lid.	1. Open side burner cover.
2. Push and turn any main burner knob slowly to the 'hi' position. This action will ignite the pilot flame which will in turn light the selected burner. If the pilot lights, continue to push down on the control knob until the burner lights and then release.	2. Remove the warming rack.	2. Push and turn the side burner control knob slowly to the 'hi' position. This action will ignite the side burner.
3. If the pilot does not ignite, then immediately turn the control knob back to the 'off' position and repeat step 2 several times.	3. Push and turn the rotisserie burner control knob slowly to the 'hi' position. This action will ignite the pilot flame, which will in turn light the burner. If the pilot lights, continue to push down on the burner control knob until the burner lights then release.	3. If the burner does not ignite, then immediately turn the control knob back to the 'off' position and repeat step 2 several times.
4. If the pilot and burner will not ignite within 5 seconds, turn the control knob to the 'off' position and wait 5 minutes for any excess gas to dissipate. Either repeat steps 2 and 3 or light with a match.	4. If the burner does not ignite, then immediately turn the control knob back to the 'off' position and repeat step 3 several times.	4. If the burner will not ignite within 5 seconds, turn the control knob to the 'off' position and wait 5 minutes for any excess gas to dissipate. Either repeat steps 2 and 3 or light with a match.
5. If lighting the unit with a match, clip the match into the supplied lighting rod. Hold the lit match down through the grill and sear plate while turning the corresponding burner valve to high.	5. If the burner will not ignite within 5 seconds, turn the control knob to the 'off' position and wait 5 minutes for any excess gas to dissipate. Either repeat steps 3 and 4 or light with a match.	



Operating The Grill

Initial Lighting: When lit for the first time, the gas grill emits a slight odor. This is a normal temporary condition caused by the “burn-in” of internal paints and lubricants used in the manufacturing process and does not occur again. Simply run the main burners on high for approximately one-half hour.

Main Burner Use: When searing foods, we recommend preheating the grill by operating all main burners in the high position with the lid closed for approximately 10 minutes. Food cooked for short periods of time (fish, vegetables) can be grilled with the lid open. Cooking with the lid closed will ensure higher, more even temperatures that can reduce cooking time and cook meat more evenly. Food that has a cooking time longer than 30 minutes, such as roasts, can be cooked indirectly (with the burner lit opposite to the food placement). When cooking very lean meats, such as chicken breasts or lean pork, the grids can be oiled before pre-heating to reduce sticking. Cooking meat with a high degree of fat content can create flare-ups. Either trim the fat or reduce temperatures to inhibit this. Should a flare-up occur, move food away from the flames and reduce the heat. Leave the lid open. See *Your All Season Grill* cookbook by Napoleon for more detailed instructions.

Direct Cooking: Place food to be cooked on the grill directly over the heat. This method is generally used for searing or for foods that do not require prolonged cooking times such as hamburgers, steaks, chicken pieces, or vegetables. The food is first seared to trap-in the juices and flavor, and then the temperature is lowered to finish cooking the food to your preference.

Indirect Cooking: With one or more burners operating, place food to be cooked on the grill over a burner that is not operating. The heat circulates around the food, cooking slowly and evenly. Cooking with this method is much the same as cooking in your oven and is generally used for larger cuts of meats such as roasts, chickens or turkeys, but can also be used for cooking foods that are prone to flare-ups or for smoking foods. Lower temperatures and slower cooking times result in tender foods.

Rear Burner Use (If Equipped): Remove the warming rack prior to use. Cooking grids should also be removed if they interfere with the rotisserie. The rear burner is designed to be used in conjunction with the rotisserie kit (included with most rear burner units) available from your dealer. See the rotisserie kit assembly instructions.

To use the counterbalance - remove the rotisserie motor from the gas grill. Place the spit with meat being cooked across the hangers inside the grill. The meat will naturally hang with the heavy side down. Tighten the counterbalance arm and weight so the arm is facing up. Slide the counterweight in or out to balance the load and tighten in place. Re-install the motor and begin cooking. Place a metal dish underneath the meat to collect drippings for basting and naturally delicious gravy. Basting liquid may be added as required. To seal in juices, first operate rear burner on high until brown, then reduce the heat to thoroughly cook foods. Keep the lid closed for best results. Your roasts and fowl will brown perfectly on the outside and stay moist and tender on the inside. For example, a 3 pound chicken on the rotisserie will be done in approximately 1½ hours on medium to high. See ‘Your all Season Grill’ cookbook by Napoleon for more detailed instructions.



WARNING! Barbecue sauce and salt can be corrosive and will cause rapid deterioration of the gas grill components unless cleaned regularly. When finished cooking disassemble rotisserie components, wash thoroughly with warm soapy water and store indoors.

Flame Side Burner Use (if equipped): The side burner can be used like any stove top burner, for gravies, soups etc. For best performance, the gas grill should be located with the side burner protected from the wind. The recommended pan diameter is 60mm to 220mm.



WARNING! Never grill food directly on the side burner grate. It is designed for use with pots and pans only.



WARNING! Do not close the side burner lid while it is operating or hot.
WARNING! Do not use side burner to deep fry foods as cooking with oil can create a dangerous situation.

Maintenance / Cleaning Instructions

We recommend this gas grill be thoroughly inspected and serviced annually by a qualified service person.



WARNING! Always wear protective gloves and safety glasses when cleaning your grill.



WARNING! To avoid the possibility of burns, maintenance should be done only when the grill is cool. Avoid unprotected contact with hot surfaces. Ensure all burners are turned off. Clean grill in an area where cleaning solutions will not harm decks, lawns, or patios. Do not use oven cleaner to clean any part of this gas grill. Do not use a self-cleaning oven to clean cooking grids or any other parts of the gas grill. Barbecue sauce and salt can be corrosive and will cause rapid deterioration of the gas grill components unless cleaned regularly.



Note: Stainless steel tends to oxidize or stain in the presence of chlorides and sulfides, particularly in coastal areas and other harsh environments, such as the warm, highly humid atmosphere around pools and hot tubs. These stains could be perceived as rust, but can be easily removed or prevented. To provide stain prevention and removal, wash all stainless steel surfaces every 3-4 weeks or as often as required with fresh water and/or stainless steel cleaner.



WARNING! Turn off the gas at the source and disconnect the unit before servicing. To avoid the possibility of burns, maintenance should be done only when the grill is cool. A leak test must be performed annually and whenever any component of the gas train is replaced or gas smell is present.

Grids And Warming Rack: The grids and warming rack are best cleaned with a brass wire brush during the pre-heating period. Steel wool can be used for stubborn stains. It is normal that stainless grids (if equipped) will discolor permanently from regular usage due to the high temperature of the cooking surface.

Cast Iron Cooking Grids: The cast iron cooking grids supplied with your new grill offer superior heat retention and distribution. By regularly seasoning your grids you are adding a protective coating, which will aid in resisting corrosion and increase your grids non-stick capabilities.

First Time Use: Wash the cooking grids by hand with mild dish soap and water to remove any residue from the manufacturing process (never wash in a dish washer). Rinse thoroughly with hot water and dry completely with a soft cloth. This is important to avoid moisture from entering the cast iron.

Seasoning: Using a soft cloth, spread VEGETABLE SHORTENING over the entire grid surface ensuring all grooves and corners are covered. Do not use salted fats such as butter or margarine. Pre-heat your grill for 15 minutes, then place the seasoned cooking grids in the grill. Turn the burner control knobs to medium with the lid closed. Allow the cooking grids to heat for approximately one-half hour. Turn all the burners to the "OFF" position and turn the gas off at the source. Let the cooking grids stand until cool. This procedure should be repeated several times throughout the season, although it is not required for daily use (follow daily usage procedure below).

Daily Usage: Before pre-heating, and cleaning with a brass wire grill brush, coat the entire top surface of the cooking grids with VEGETABLE SHORTENING. Pre-heat the grill and then brush away any unwanted residue with a brass wire brush.

Stainless Steel Cooking Grids: (upgrade kit available - see replacement parts list). Stainless steel cooking grids are durable and corrosion resistant. They require less seasoning and maintenance than cast iron cooking grids. It is recommended that you follow the daily usage procedure listed above although you may find pre-heating and cleaning your grids with a wire brush is sufficient for your grilling needs.

Control Panel: The control panel text is printed directly on the stainless steel and with proper maintenance will remain dark and legible. To clean the panel, use only warm soapy water or Continental brand stainless steel cleaner available from your Napoleon dealer. Never apply abrasive cleaners on any stainless surfaces, especially the printed portion of the control panel or the printing will gradually rub off.

Cleaning Inside The Gas Grill: Remove the cooking grids. Use a brass wire brush to clean loose debris from the casting sides and underneath the lid. Scrape the sear plates with a putty knife or scraper, and use a wire brush to remove the ash. Remove the sear plates and brush debris from the burners with the brass wire brush. Sweep all debris from inside the gas grill into the drip pan.

Lights: To remove the lens from the light housing, insert a flat screwdriver tip between the lens and the housing and rock it gently. Do not touch the halogen bulb. The oil from your fingertips will reduce the life of the bulb. To clean the lens, first soak it in hot soapy water, then clean with a rag and non abrasive cleaner. To reinstall the lens, simply snap it back into the housing.

Drip Pan: Accumulated grease is a fire hazard. Clean the drip pan frequently (every 4 – 5 uses or as often as required) to avoid grease buildup. Grease and excess drippings pass through to the drip pan, located beneath the gas grill and accumulate in the disposable grease tray below the drip pan. To access the disposable grease tray or to clean the drip pan, slide the drip pan free of the grill. Never line the drip pan with aluminum foil, sand or any other material as this could prevent the grease from flowing properly. The pan should be scraped out with a putty knife or scraper. Replace the disposable grease tray every 2 – 4 weeks, depending on gas grill usage. For supplies, see your Napoleon Gas Grill dealer.

Cleaning The Outer Grill Surface: Do not use abrasive cleaners or steel wool on any painted, porcelain or stainless steel parts of your Napoleon Grill. Doing so will scratch the finish. Exterior grill surfaces should be cleaned with warm soapy water while the metal is still warm to the touch. To clean stainless surfaces, use a stainless steel or a non-abrasive cleaner. Always wipe in the direction of the grain. Over time, stainless steel parts discolor when heated, usually to a golden or brown hue. This discoloration is normal and does not affect the performance of the grill. Porcelain enamel components must be handled with additional care. The baked-on enamel finish is glass-like, and will chip if struck. Touch-up enamel is available from your Napoleon Grill dealer.



WARNING! Hose: Check for abrasions, melting, cuts, and cracks in the hose. If any of these conditions exist, do not use the gas grill. Have the part replaced by your Napoleon Gas Grill dealer or qualified gas installer.

Tube Burner: The burners are made from heavy wall 304 stainless steel, but extreme heat and a corrosive environment can cause surface corrosion to occur. This can be removed with a brass wire brush.



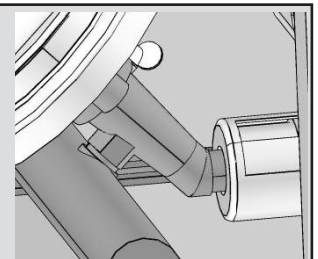
CAUTION! Beware of Spiders.

Spiders and insects are attracted to the smell of propane and natural gas. The burner is equipped with an insect screen on the air shutter, which reduces the likelihood of insects building nests inside the burner but does not entirely eliminate the problem. A nest or web can cause the burner to burn with a soft yellow or orange flame or cause a fire (flashback) at the air shutter beneath the control panel. **To clean the inside of the burner, it must be removed from the gas grill:** Remove the screw that attaches the burner to the back wall. Slide the burner back and upwards to remove. **Cleaning:** Use a flexible venturi tube brush to clean the inside of the burner. Shake any loose debris from the burner through the gas inlet. Check the burner ports and valve orifices for blockages. Burner ports can close over time due to cooking debris and corrosion, use an opened paperclip or the supplied port maintenance bit to clean them. Drill out blocked ports using this drill bit in a small cordless drill. The ports are easier to clean if the burner is removed from the grill, but it can also be done with the burner installed. Do not flex the drill bit when drilling the ports, as this will cause the drill bit to break. This drill is for burner ports only, not for the brass orifices (jets) which regulate the flow into the burner. Take care not to enlarge the holes. Ensure the insect screen is clean, tight, and free of any lint or other debris.

Reinstallation: Reverse the procedure to reinstall the burner. Check that the valve enters the burner when installing.



WARNING! When reinstalling the burner after cleaning it is very important that the valve/orifice enters the burner tube before lighting your gas grill. If the valve is not inside the burner tube a fire or explosion could occur.



Aluminum Castings: Clean castings periodically with warm soapy water. Aluminum will not rust, but high temperatures and weathering can cause oxidation to occur on aluminum surfaces. This appears as white spots on the castings. To refinish these areas, clean first and sand lightly with fine sandpaper. Wipe the surface to remove any residue and paint with high temperature barbecue paint. Protect surrounding areas from overspray. Follow the manufacture's directions for curing.

Troubleshooting

EN

Problem	Possible Causes	Solution
Low heat / Low flame when valve turned to high.	<p>For propane - improper lighting procedure.</p> <p>For natural gas - undersized supply line.</p> <p>For both gases - improper preheating.</p>	<p>Ensure lighting procedure is followed carefully. All gas grill valves must be in the off position when the tank valve is turned on. Turn tank on slowly to allow pressure to equalize. See lighting instructions.</p> <p>Pipe must be sized according to installation code.</p> <p>Preheat grill with both main burners on high for 10 to 15 minutes.</p>
Excessive flare-ups/uneven heat.	<p>Improper preheating.</p> <p>Excessive grease and ash build on sear plates and in drip pan.</p>	<p>Preheat grill with both main burners on high for 10 to 15 minutes.</p> <p>Clean sear plates and drip pan regularly. Do not line pan with aluminum foil. Refer to cleaning instructions.</p>
Burners burn with yellow flame, accompanied by the smell of gas.	Possible spider web or other debris, or improper air shutter adjustment.	Thoroughly clean burner by removing. See general maintenance instructions.
Humming regulator.	Normal occurrence on hot days.	This is not a defect. It is caused by internal vibrations in the regulator and does not affect the performance or safety of the gas grill. Humming regulators will not be replaced.
Burners will not cross light each other.	Plugged ports at back of burner.	Clean burner ports. See burner maintenance instructions.
"Paint" appears to be peeling inside lid or hood.	Grease build-up on inside surfaces.	This is not a defect. The finish on the lid and hood is porcelain, and will not peel. The peeling is caused by hardened grease, which dries into paint-like shards, that flake off. Regular cleaning will prevent this. See cleaning instructions.

KEEP YOUR RECEIPT AS PROOF OF PURCHASE TO VALIDATE YOUR WARRANTY.

Ordering Replacement Parts

Warranty Information

MODEL: _____

DATE OF PURCHASE: _____

SERIAL NUMBER: _____

(Record information here for easy reference)

Before contacting the Customer Care Department, check the NAC Website for more extensive cleaning, maintenance, troubleshooting and parts replacement instructions at www.napoleongrills.com. Contact the factory directly for replacement parts and warranty claims. Our Customer Care Department is available between 9 AM and 5 PM (Eastern Standard Time) at 1-866-820-8686 or fax at 1-705-727-4282. To process a claim, we must be provided with the following information:

1. Model and serial number of the unit.
2. Part number and description.
3. A concise description of the problem ('broken' is not sufficient).
4. Proof of purchase (photocopy of the invoice).

In some cases the Customer Care Representative could request to have the parts returned to the factory for inspection before providing replacement parts. These parts must be shipped prepaid to the attention of the Customer Care Department with the following information enclosed:

1. Model and serial number of the unit.
2. A concise description of the problem ('broken' is not sufficient).
3. Proof of purchase (photocopy of the invoice).
4. Return Authorization Number - provided by the Customer Care Representative.

Before contacting customer care, please note that the following items are not covered by the warranty:

- Costs for transportation, brokerage or export duties.
- Labor costs for removal and reinstallation.
- Costs for service calls to diagnose problems.
- Discoloration of stainless steel parts.
- Part failure due to lack of cleaning and maintenance, or use of improper cleaners (oven cleaner).



CAUTION! During unpacking and assembly we recommended you wear work gloves and safety glasses for your protection. Although we make every effort to make the assembly process as problem free and safe as possible, it is characteristic of fabricated steel parts that the edges and corners might be sharp and could cause cuts if handled incorrectly.

Getting Started

1. Remove all cart panels, hardware, and grill head from carton. Raise lid and remove any components packed inside. Use the parts list to ensure all necessary parts are included.
2. Do not destroy packaging until the grill has been fully assembled and operates to your satisfaction.
3. Assemble the grill where it is to be used, lay down cardboard or a towel to protect parts from being lost or damaged while assembling.
4. Most stainless steel parts are supplied with a protective plastic coating that must be removed prior to using grill.
5. Follow all instructions in the order that they are laid out in this manual.
6. Two people are required to lift the grill head onto the assembled cart.

If you have any questions about assembly or grill operation, or if there are damaged or missing parts please call our Customer Care Department at 1-866-820-8686 between 9 AM and 5 PM (Eastern Standard Time).

TOOLS REQUIRED FOR ASSEMBLY (tools not included)

3/8" (10mm)
Wrench,
ratchet or driver



Flat and Philips
screwdrivers



Pliers



Hammer





FAX TO: 705 727 4282

EN

ACCESSORIES & PARTS ORDER FORM

PLEASE PRINT CLEARLY

CONTACT NAME: _____

SHIP TO : _____

TEL : _____

FAX : _____

EMAIL: _____

VISA OR MASTERCARD # : _____ EXPIRY DATE: _____

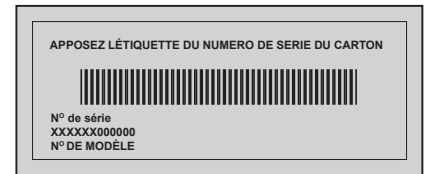
SIGNATURE: _____

QUANTITY	PART NUMBER	DESCRIPTION

TAXES MAY APPLY
SHIPPING EXTRA

Ce gril doit être utilisé uniquement à l'extérieur, dans un endroit bien aéré et ne doit jamais être utilisé à l'intérieur d'un bâtiment, d'un garage, un gazebo, une véranda avec paramoustique, ou de tout autre endroit fermé.

FR



495, 495SB



DANGER

SI VOUS DÉTECTEZ UNE ODEUR DE GAZ :

- Fermez l'alimentation en gaz à l'appareil.
- Éteignez toute flamme nue.
- Ouvrez le couvercle.
- Si l'odeur persiste, éloignez-vous de l'appareil et appelez immédiatement votre fournisseur de gaz ou le service des incendies.



AVERTISSEMENT

Ne tentez pas d'allumer cet appareil avant d'avoir lu la section "INSTRUCTIONS D'ALLUMAGE" de ce manuel.

Pour votre sécurité n'entreposez pas et n'utilisez pas d'essence ou autres liquides et vapeurs inflammables à proximité de cet ou tout autre appareil. Une bonbonne de propane de propane non branchée ne devrait pas être entreposée à proximité de cet ou de tout autre appareil. Si ces instructions ne sont pas suivies à la lettre, un feu ou une explosion pourraient s'ensuivre, causant des dommages à la propriété, des blessures corporelles ou des pertes de vie.

Note à l'installateur : Laissez ces instructions au propriétaire du gril pour consultation ultérieure.



0359-12

Napoleon Appliance Corp.,
214 Bayview Dr., Barrie, Ontario, Canada L4N 4Y8 Phone: 1-866-820-8686
Fax: (705)725-2564 email: wecare@napoleonproducts.com web site: www.napoleongrills.com

MERCI D'AVOIR CHOISI NAPOLÉON

Les produits NAPOLÉON sont conçus avec des composants et des matériaux de qualité supérieure, assemblés par des artisans qualifiés qui sont fiers de leur travail. Le brûleur et le montage de la soupape subissent un test de détection de fuites et d'allumage à une station de test de qualité. Ce gril a été soigneusement inspecté par un technicien qualifié avant d'être emballé et expédié pour garantir que vous, le client, recevez le produit de qualité dont vous vous attendez de NAPOLÉON. Chez Napoléon, notre priorité c'est vous, « notre important client ». Notre objectif est de vous fournir les outils nécessaires pour rendre inoubliable cette expérience de cuisson sur le gril. Ce manuel vous est fourni pour vous aider lors de l'assemblage, l'installation et l'entretien de votre nouveau gril. Il est important de lire et de comprendre ce manuel en entier avant d'utiliser votre nouveau gril afin de vous assurer de comprendre parfaitement toutes les consignes de sécurité et toutes les caractéristiques de votre gril. En suivant attentivement les instructions de ce manuel, vous profiterez de votre gril pendant de nombreuses années, et ce, sans tracas. Si nous ne répondons pas à vos attentes pour quelque raison que ce soit, veuillez contacter notre département du service aux consommateurs au 1-877-753-6294 entre 9 h et 17 h (heure normale de l'Est) ou visitez notre site Web.

FR

GARANTIE À LIMITÉE DU PRÉSIDENT DES GRILS À GAZ NAPOLÉON

NAPOLÉON garantit votre nouveau gril à gaz contre les défauts concernant les matériaux et la fabrication pendant 10 ans. Cette garantie couvre : la fonte d'aluminium (excluant la peinture), le panneau de commande en acier inoxydable (excluant les impressions) et les brûleurs en acier inoxydable, sous réserve des conditions suivantes. Pendant les cinq premières années, NAPOLÉON fournira gratuitement les pièces de rechange selon son choix. De la sixième année à la dixième année, NAPOLÉON fournira les pièces de rechange à 50 % du prix de détail courant.

Les couvercles en acier inoxydable ou en porcelaine, les panneaux d'insertion réflecteurs en porcelaine et les poignées en acier inoxydable sont couverts contre les défauts pendant 5 ans, sous réserve des conditions suivantes. Pendant les 3 premières années, NAPOLÉON fournira gratuitement les pièces de rechange selon son choix. Pendant la quatrième et la cinquième année, NAPOLÉON fournira les pièces de rechange à 50 % du prix de détail courant.

Tous les autres composants tels que les plaques de brûleur en acier inoxydable ou en porcelaine, les grilles de cuisson en acier inoxydable ou en fonte, les soupapes, le système d'allumage, les jauges de température, les boutons de commande, les régulateurs, les roulettes, les grilles de réchaud, les boyaux et les raccords, les pièces d'assemblage et les accessoires sont couverts et NAPOLÉON fournira les pièces gratuitement durant la première année de la garantie limitée.

NAPOLÉON n'assumera aucuns frais d'expédition, de main-d'oeuvre ou de taxes d'exportation.

Conditions Et Limitations

"NAPOLÉON garantit ses produits contre tous défauts de fabrication à l'acheteur d'origine seulement, à condition que l'achat ait été fait par l'entremise d'un représentant autorisé NAPOLÉON et sous réserve des conditions et limitations suivantes."

Cette garantie d'usine n'est pas transférable et ne peut être prolongée par aucun de nos représentants qu'elle qu'en soit la raison.

Le gril à gaz doit être installé par un installateur ou entrepreneur qualifié. L'installation doit être faite conformément aux instructions d'installation incluses avec le produit et à tous les codes d'incendie et de construction locaux et nationaux.

Cette garantie limitée ne couvre pas les dommages causés par un usage impropre, un manque d'entretien, feux de graisse, un environnement inadéquat, un accident, des modifications, de l'abus ou de la négligence. L'installation de pièces d'autres fabricants annulera cette garantie.

Cette garantie limitée ne couvre pas non plus les éraflures, les bosselures, la corrosion ou la décoloration causés par la chaleur ou les produits d'entretien chimiques et abrasifs ni l'écaillage des pièces de porcelaine émaillée ni les composantes utilisées dans l'installation du gril à gaz.

Dans le cas d'une détérioration des composantes causant un mauvais fonctionnement pendant la période couverte par la garantie, un remplacement part des composantes sera effectué.

Au cours de la première année seulement, cette garantie s'applique à la réparation ou au remplacement des pièces garanties dont les matériaux ou la fabrication sont défectueux à la condition que le produit ait été utilisé conformément aux instructions d'opération et dans des conditions normales.

Après la première année, selon cette Garantie à vie limitée du Président NAPOLÉON peut, à sa discrétion, se libérer complètement de toutes ses obligations en ce qui concerne cette garantie en remboursant à l'acheteur d'origine le prix de gros de toutes pièces garanties qui sont défectueuses.

NAPOLÉON ne sera pas responsable de l'installation, main-d'oeuvre ou autres coûts ou dépenses relatives à la réinstallation d'une pièce garantie car de telles dépenses ne sont pas couvertes par cette garantie.

Nonobstant toutes les dispositions contenues dans cette Garantie à vie limitée du Président, la responsabilité de NAPOLÉON sous cette garantie est définie comme ci-dessus et elle ne s'appliquera à aucun dommage accidentel, consécutif ou indirect.

Cette garantie définit les obligations et responsabilités de NAPOLÉON en ce qui concerne le gril à gaz NAPOLÉON. Tout autre garantie énoncée ou implicite en ce qui concerne ce produit, ses composantes ou accessoires est exclue.

NAPOLÉON n'endosse ni n'autorise aucun tiers à assumer en son nom, tout autre responsabilité concernant la vente de ce produit. NAPOLÉON ne se tiendra pas responsable d'une surchauffe ou d'explosions causées par des conditions environnementales tel que des vents forts ou une ventilation inappropriée.

Tous dommages causés au gril par la température, un usage abusif ou l'utilisation de produits d'entretien chimiques ou abrasifs ne seront pas la responsabilité de NAPOLÉON.

La facture ou une copie sera requise ainsi que le numéro de série et de modèle du gril lors d'une réclamation auprès de NAPOLÉON.

NAPOLÉON se réserve le droit de demander à son représentant d'inspecter tous produits ou pièces avant d'approuver les réclamations.

NAPOLÉON n'assumera aucun frais de transport, de main-d'oeuvre ou taxes d'exportation.



AVERTISSEMENT! Si ces instructions ne sont pas suivies, des dommages matériels, des blessures corporelles ou des pertes de vie pourraient s'ensuivre. Lisez et respectez tous les avertissements et les instructions de ce manuel avant de faire fonctionner le gril.

Pratiques Sécuritaires D'utilisation

- Ce gril à gaz doit être assemblé conformément aux instructions du manuel. Si le gril a été assemblé en magasin, vous devez réviser les instructions d'assemblage afin de confirmer que le gril ait été assemblé correctement et aussi pour effectuer un test de détection de fuite avant d'utiliser le gril.
- Lisez le manuel d'instructions en entier avant d'utiliser le gril.
- Ce gril ne devra être modifié en aucun cas.
- Suivez attentivement les instructions d'allumage lorsque vous faites fonctionner le gril.
- Lorsque le gril n'est pas utilisé, l'alimentation en gaz doit être fermée à la bonbonne de propane ou à la soupape d'alimentation du gaz naturel.
- Tenez les enfants et les animaux éloignés du gril chaud; NE laissez PAS les enfants grimper dans le cabinet.
- Il convient de surveiller les enfants pour s'assurer qu'ils ne jouent pas avec l'appareil.
- Cet appareil n'est pas prévu pour être utilisé par des personnes (y compris les enfants) dont les capacités physiques, sensorielles ou mentales sont réduites, ou des personnes dénuées d'expérience ou de connaissance, sauf si elles ont pu bénéficier, par l'intermédiaire d'une personne responsable de leur sécurité, d'une surveillance ou d'instructions préalables concernant l'utilisation de l'appareil.
- Ne laissez pas le gril sans surveillance lorsqu'il est utilisé.
- Ne déplacez pas le gril lorsqu'il est chaud ou qu'il fonctionne.
- Ce gril est pour usage domestique seulement.
- Ce gril à gaz ne doit pas être installé dans ou sur des véhicules récréatifs et/ou des bateaux.
- Ce gril doit être utilisé uniquement à l'extérieur, dans un endroit bien aéré et ne doit jamais être utilisé à l'intérieur d'un bâtiment, d'un garage ou de tout autre endroit fermé.
- Respectez les dégagements recommandés aux matériaux combustibles (16" (410mm) à l'arrière du gril et 7" (180mm) sur les côtés). Un dégagement plus grand 24" (610mm) est recommandé à proximité d'un recouvrement de vinyle ou d'une surface vitrée.
- En tout temps, gardez les ouvertures d'aération du cabinet de la bonbonne libres et exemptes de débris.
- Ne fonctionnez pas le gril sous une construction combustible.
- N'installez pas le gril dans un endroit venteux. Les vents forts nuiront à la performance de cuisson de votre gril.
- Lorsque le gril doit être entreposé à l'intérieur, la bonbonne de propane doit être débranchée du gril et entreposée à l'extérieur dans un endroit bien aéré. Les bonbonnes de propane débranchées ne doivent en aucun temps être entreposées à l'intérieur d'un bâtiment, d'un garage ou de tout autre endroit fermé.
- Inspectez le boyau d'alimentation en gaz avant chaque utilisation. S'il montre des signes de fendillement excessif ou d'usure, il doit être remplacé par un ensemble de rechange spécifié par le fabricant avant d'utiliser le gril.
- N'entreposez pas de bonbonne de propane supplémentaire sous ce gril ou à proximité.
- Ne remplissez jamais la bonbonne à plus de 80 % de sa pleine capacité.
- Ne tentez pas d'utiliser une bonbonne qui n'est pas équipée d'un raccord de type QCC1.
- Faites un test de détection de fuites avant la première utilisation, même si le gril a été acheté déjà assemblé, annuellement et à chaque fois qu'une pièce du système de gaz est remplacée.
- N'utilisez pas de gaz naturel avec un appareil conçu pour le propane liquide.
- N'utilisez jamais d'essence pour briquets dans un gril à gaz.
- Utilisez des briquettes de charbon seulement avec un bac à charbon Napoléon conçu pour cet appareil.
- Les boutons de contrôle du brûleur doivent être fermés lorsque vous ouvrez la soupape d'alimentation en gaz.
- N'allumez pas le brûleur avec le couvercle fermé.
- N'utilisez pas le brûleur arrière en même temps que le brûleur principal.
- Le couvercle doit être fermé lors de la période de préchauffage du gril.
- Ne passez pas le boyau d'alimentation sous le tiroir d'égouttement - le dégagement requis entre le boyau et le fond de la cuve doit être maintenu.
- Nettoyez le tiroir d'égouttement et les plaques du brûleur régulièrement pour éviter les feux de graisse.
- Enlever la grille-réchaud avant d'allumer le brûleur arrière. La chaleur intense pourrait l'endommager.
- Assurez-vous que les plaques de brûleur sont installées de façon adéquate, conformément aux instructions d'installation.
- N'utilisez pas les tablettes latérales pour entreposer des briquets, des allumettes ou autres matières inflammables.
- Gardez les boyaux d'alimentation en gaz éloignés des surfaces chauffantes.
- Gardez les fils électriques éloignés de l'eau ou des surfaces chauffantes.
- Inspectez les tubes de venturi des brûleurs infrarouges pour des toiles d'araignées ou toutes autres obstructions régulièrement. Nettoyez les tubes si vous découvrez des obstructions.
- Cet gril de cuisson extérieur au gaz et sa soupape d'arrêt doivent être débranchés de la ligne d'alimentation en gaz pendant les essais de pression de ce système lorsque les pressions d'essai excèdent 1/2 lb/po² (3,5 kPa).
- Cet gril de cuisson extérieur au gaz doit être séparé de la ligne d'alimentation en gaz en fermant la soupape d'arrêt manuelle pendant tout essai de pression du système d'alimentation en gaz lorsque la pression est de 1/2 lb/po² (3,5 kPa) ou moins.

Mise au rebut du produit



À travers l'UE, ce symbole indique que le produit ne doit pas être mis au rebut avec les autres ordures ménagères. Afin de protéger l'environnement et la santé publique contre les déchets non contrôlés, veuillez recycler l'appareil de manière responsable afin d'encourager la réutilisation durable de ressources de matériaux. Afin de retourner votre appareil usagé, veuillez utiliser les systèmes de retour ou de récupération ou contactez le revendeur auprès duquel l'appareil a été acheté. Ils peuvent reprendre l'appareil afin de le faire recycler et ainsi protéger l'environnement.

Bonbonne De Gaz

N'utilisez que des réservoirs qui répondent aux exigences des codes régionaux et nationaux. La grandeur minimale du réservoir pour le butane est de 13 kg et de 6 kg pour le propane. Assurez-vous que la bonbonne puisse fournir suffisamment de combustible pour faire fonctionner l'appareil. Si vous êtes incertain, consultez votre fournisseur de gaz.

- Soyez prudent lorsque vous manipulez la soupape de la bonbonne.
- Ne branchez jamais une bonbonne qui ne rencontre pas les exigences des normes locales.

Tous les réservoirs de 7 kg ou plus doivent être placés à l'extérieur du cabinet (sous la tablette droite) sur une surface de niveau. Les réservoirs de moins de 7 kg (maximum de 465 mm de haut par 306 mm de large) peuvent être placés à l'intérieur du cabinet, sur le côté droit de la tablette inférieure. Seuls les réservoirs branchés à l'appareil peuvent être rangés dans le cabinet ou à proximité de l'appareil. Les réservoirs de recharge ne doivent pas être rangés dans le cabinet ou à proximité d'un appareil allumé. Les réservoirs ne doivent pas être exposés à des chaleurs extrêmes ni au soleil direct.



AVERTISSEMENT! Assurez-vous que le boyau ne touche à aucune surface à haute température sinon il risque de fondre, de provoquer une fuite et causer un feu.

Branchement De La Bonbonne : Assurez-vous que le tuyau du régulateur de gaz est sans anomalie. Enlevez le bouchon sur la soupape de gaz de la bonbonne. Serrez le régulateur sur la soupape de la bonbonne. Faites un test de détection de fuites sur tous les raccords avant d'utiliser le grill. Un test de détection de fuites doit être fait annuellement et à chaque fois qu'une bonbonne est branchée ou qu'une pièce du système de gaz est remplacée.



AVERTISSEMENT!

- Ne pas passer le tuyau d'alimentation sous le tiroir d'égouttement.
- Ne passez pas le boyau entre l'espace dans la tablette inférieure et le panneau arrière.
- N'acheminez pas le boyau par-dessus le panneau arrière.
- Assurez-vous que tous les raccordements de boyaux sont serrés à l'aide de deux clés. N'utilisez pas de ruban de Téflon ou de composé pour raccord de tuyau sur les raccordements.
- Assurez-vous que le boyau ne touche à aucune surface à haute température sinon il risque de fondre, de provoquer une fuite et causer un feu.
- Vérifiez pour des fuites de gaz en appliquant une solution d'eau savonneuse selon les instructions de détection de fuites dans de manuel.
- Ne rangez pas le surplus de boyau dans le cabinet, il y a un plus grand risque que le boyau fasse contact avec une surface chaude, le boyau peut fondre et une fuite peut se produire, causant ainsi un feu.

Tuyau De Gaz

- Si le tuyau et le régulateur ne sont pas fournis par le fabricant, seuls les tuyaux et les régulateurs se conformant aux exigences des normes nationales et régionales peuvent être utilisés.
- Ne branchez pas l'appareil à une source d'alimentation en gaz installée en permanence.
- Assurez-vous que le tuyau n'entre pas en contact avec de la graisse, d'autres jus de cuisson chauds ou toute surface chaude sur l'appareil.
- Inspectez le tuyau régulièrement. Si le tuyau montre des signes de fendillement, de fonte ou d'usure, remplacez le tuyau avant d'utiliser l'appareil.
- La longueur recommandée du tuyau est de 0,5 m. Le tuyau ne doit pas dépasser 1,5 m de longueur.
- Assurez-vous que le tuyau ne soit pas plié ou tordu lorsque installé.
- Remplacez le tuyau avant la date d'expiration imprimée sur celui-ci.

Données Techniques

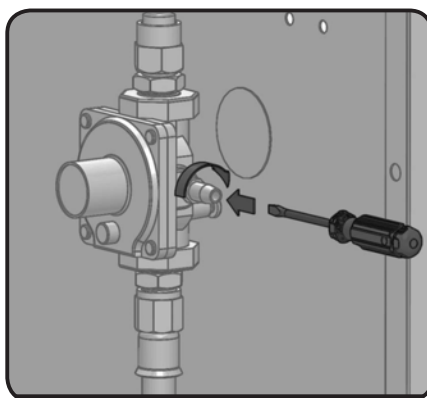
Le tableau ci-dessous affiche les valeurs d'entrée de l'appareil.

Brûleur	Taille De L'injecteur	(Brut) Entrée De Chaleur (Total)	Utilisation De Gaz (Total)
Principal	1.07mm (#58)	16.0 kw	1160 g/hr
Latéral	0.82mm	2.4 kw	174 g/hr

Gaz certifiés / pressions - Vérifiez la plaque d'homologation pour vous assurer qu'elle corresponde avec la liste suivante.

Catégorie de gaz	'3B/P(30)	'3+(28-30/37)	'3B/P(37)	'3B/P(50)
Gaz / pressions	Butane 30mbar Propane 30mbar	Butane 28-30mbar Propane 37mbar	Butane 37mbar Propane 37mbar	Butane 50mbar Propane 50mbar
Pays	BE, BG, CY, DK, EE, FI, FR, GB, HR, HU, IS, IT, LT, LU, MT, NL, NO, RO, SE, SI, SK, TR	BE, CH, CY, CZ, ES, FR, GB, GR, IE, IT, LT, LU, LV, PT, SK, SI	PL	AT, CH, DE, SK

Ne démontez pas et ne modifiez pas le régulateur. N'utilisez que des régulateurs fournissant les pressions affichées dans le tableau ci-dessus. Vous devez utiliser un régulateur 28-30 mbar pour le butane ou un régulateur 37 mbar pour le propane. Le gril est muni d'un régulateur interne. La pression de sortie de ce régulateur interne est de 24.5 mbar propane/butane et ne doit pas être modifiée ni ajustée. Pour un remplacement, n'utilisez que le régulateur indiqué par le fabricant.



Cet appareil est muni d'un régulateur interne qui stabilise la pression du gaz et qui améliore la performance du gril. Ce régulateur ne peut être ajusté. Une prise de pression se trouve sur le côté du régulateur. Elle peut être utilisée par un technicien qualifié lors de l'entretien du gril afin de déterminer si le régulateur fonctionne correctement. La vis de la prise de pression doit demeurer serrée en tout temps, sauf en cas d'un essai de pression du régulateur (effectué par un technicien qualifié seulement).

Test De Détection De Fuites



AVERTISSEMENT! Il doit être fait avant la première utilisation, annuellement et à chaque fois qu'une pièce du système de gaz est remplacée ou réparée



AVERTISSEMENT! N'utilisez pas une flamme nue pour vérifier pour des fuites de gaz. Assurez-vous qu'il n'y ait aucune étincelle ni flamme nue à proximité de l'endroit à vérifier. Les étincelles ou les flammes nues provoqueront un feu ou une explosion, causant des dommages matériels, des blessures graves ou des pertes de vie.



Test De Fuites: Il doit être fait avant la première utilisation, annuellement et à chaque fois qu'une pièce du système de gaz est remplacée ou réparée. Ne fumez pas et enlevez toutes sources d'allumage lorsque vous faites ce test. Consultez le schéma de test de fuites pour voir les endroits à tester.



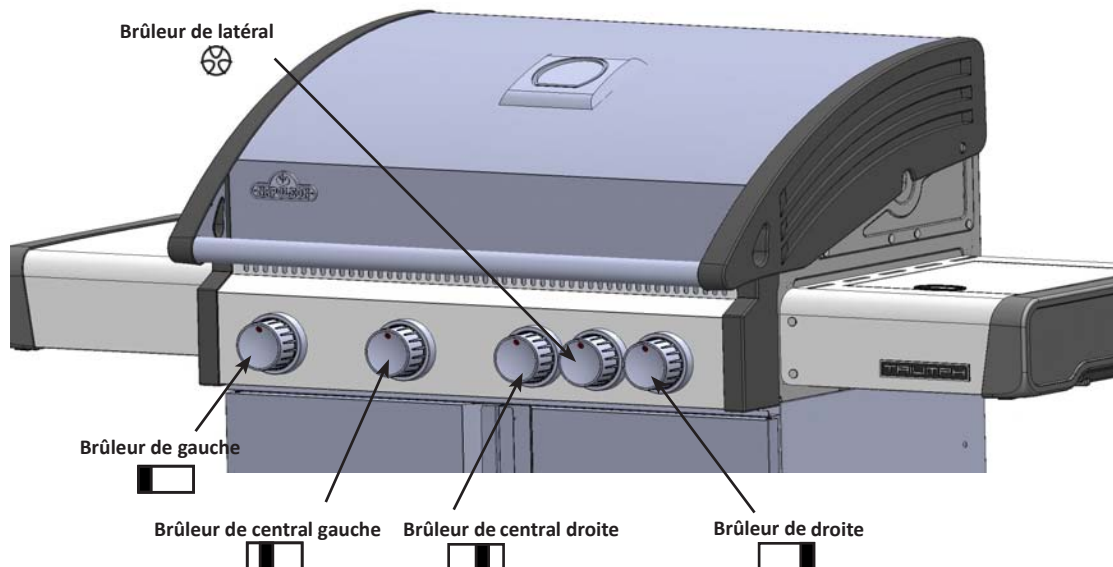
1 - Fermez tous les boutons des brûleurs. Ouvrez la soupape de la bonbonne.
2 - Appliquez une solution de deux parts égales de savon liquide et d'eau sur tous les joints du régulateur, le tuyau et ses raccords.



3 - Des bulles indiqueront une fuite de gaz. Resserrez le joint ou remplacez la pièce avec une autre recommandée par le détaillant.

4 - Si la fuite ne peut être réparée, fermez l'alimentation de gaz à la bonbonne, enlevez-la et faites inspecter votre gril par votre fournisseur de gaz ou détaillant. N'utilisez pas l'appareil jusqu'à ce que la fuite soit réparée.

5 - Fermez la soupape de la bonbonne.



AVERTISSEMENT! Ouvrez le couvercle. Fermez

AVERTISSEMENT! Assurez-vous que tous les boutons de contrôle sont à « off ». Ouvrez ensuite la soupape d'alimentation en gaz.



Allumage Du Brûleur Principal	Allumage Du Brûleur Rotissérie (si équipé)	Allumage Du Brûleur Latéral (si équipé)
1. Ouvrez le couvercle.	1. Ouvrez le couvercle.	1. Ouvrez le couvercle du brûleur latéral.
2. Enfoncez et tournez lentement l'un des boutons de contrôle du brûleur principal à la position « hi ». Ceci allumera la veilleuse, qui allumera à son tour le brûleur choisi. Si la veilleuse s'allume, maintenez enfoncé le bouton de contrôle jusqu'à ce que le brûleur s'allume, puis relâchez-le.	2. Enlevez la grille de réchaud.	2. Enfoncez et tournez lentement le bouton de contrôle du brûleur latéral à la position « hi ». Ceci allumera le brûleur latéral.
3. Si la veilleuse ne s'allume pas, tournez immédiatement le bouton de contrôle en position « off » et répétez l'étape 1 plusieurs fois.	3. Appuyez et tournez lentement le bouton de contrôle du brûleur rotissérie à hi. Ceci allumera la veilleuse qui allumera ensuite le brûleur. Si la veilleuse s'allume, continuez de garder le bouton de contrôle enfoncé jusqu'à ce que le brûleur s'allume puis relâchez-le.	3. Si le brûleur ne s'allume pas, tournez immédiatement le bouton de contrôle en position « off » et répétez l'étape 2 plusieurs fois.
4. Si la veilleuse ou le brûleur ne s'allument pas après 5 secondes, tournez le bouton de contrôle en position « off » et attendez 5 minutes pour que le gaz en excès puisse se dissiper. Ensuite, répétez les étapes 1 et 2 ou allumez avec une allumette.	4. Si la veilleuse ne s'allume pas, tournez immédiatement le bouton de contrôle à « off » puis répétez l'étape 2 à plusieurs reprises.	4. Si le brûleur ne s'allume pas après 5 secondes, tournez le bouton de contrôle en position « off » et attendez 5 minutes pour que le gaz en excès puisse se dissiper. Ensuite, répétez les étapes 2 et 3 ou allumez avec une allumette.
5. Si vous allumez l'appareil avec une allumette, fixez-la dans la tige d'allumage fournie. Tenez l'allumette allumée et abaissez-la dans le gril jusqu'en dessous des plaques de brûleur et tournez la soupape du brûleur correspondant à "HIGH".	5. Si la veilleuse et brûleur ne s'allument pas en moins de 5 secondes, tournez le bouton de contrôle à « off » et attendez 5 minutes pour permettre au surplus de gaz de se dissiper. Répétez les étapes 2 et 3 ou allumez avec une allumette.	



Instructions D'opération

Éclairage initial: Lorsqu'il est allumé pour la première fois, le gril dégagera une légère odeur. Ceci est un phénomène normal et temporaire causé par l'évaporation des peintures et lubrifiants internes utilisés dans le processus de fabrication et ne se reproduira plus. Allumez simplement les brûleurs de cuve à "high" pendant une demi-heure.

Utilisation Du Brûleur Principal: Avant de cuire les aliments il est recommandé de préchauffer le gril à "high" avec le couvercle fermé pendant environ 10 minutes. Les aliments à cuisson courte (poisson, légumes) peuvent être grillés avec le couvercle ouvert. Une cuisson avec le couvercle fermé procurera des températures plus élevées et plus constantes qui réduiront la période de cuisson et cuiront la viande de façon plus égale. Les aliments qui requièrent un temps de cuisson de plus de 30 minutes, tels que les rôtis, peuvent être cuits en utilisant la méthode indirecte (avec le brûleur allumé du côté opposé à l'emplacement de la viande). Lorsque vous faites cuire des viandes très maigres, comme une poitrine de poulet ou du porc maigre, il est à conseiller de huiler les grilles de cuisson avant le préchauffage ce qui aura pour effet d'empêcher la viande de trop coller aux grilles. Le fait de cuire de la viande avec beaucoup de gras, peut causer des flambées soudaines. Il suffit alors d'enlever le gras avant la cuisson ou de réduire la température pour remédier à ce problème. En cas de flambées, éloignez les aliments de la flamme et réduisez la température. Gardez le couvercle ouvert. Pour des instructions plus détaillées, veuillez consulter le "Livre de recettes toutes saisons" de NAPOLEON.

Cuisson Directe: Placez les aliments à cuire sur la grille de cuisson, directement au-dessus de la chaleur. Cette méthode est habituellement utilisée pour faire saisir les aliments ou pour la nourriture nécessitant une courte cuisson - les hamburgers, les steaks, le poulet, les légumes, etc. La nourriture est d'abord saisie afin d'emprisonner les jus et la saveur, puis la température est réduite afin de terminer la cuisson selon vos préférences.

Cuisson Indirecte: Avec un ou plusieurs brûleurs en fonction, placez la nourriture à cuire sur la grille au-dessus d'un brûleur inactif. La chaleur circule autour de l'aliment, ce qui le fait cuire lentement et de façon égale. Ce type de cuisson ressemble à la cuisson dans un four et est généralement utilisé pour les plus grosses pièces de viande telles que les rôtis, les poulets ou les dindes, mais il peut aussi être utilisé pour cuire la nourriture ayant tendance à produire des poussées de flamme. Ce type de cuisson diminuera la température; le ralentissement de la cuisson donnera une viande plus tendre à chaque fois.

Utilisation Du Brûleur Arrière: (si équipé) Enlevez la grille-réchaud avant de l'allumer. Les grilles de cuisson doivent également être enlevées si elles interfèrent avec l'utilisation de la rôtissoire. Le brûleur arrière est conçu pour être utilisé avec l'ensemble de rôtissoire. Consultez les instructions de montage de l'ensemble rôtissoire pour plus de détails. Pour placer le contre-poids au bon endroit enlevez le moteur de la rôtissoire de son support. Placez la broche qui supporte la viande sur les deux supports à l'intérieur du gril. Le morceau de viande se placera naturellement avec son côté le plus pesant vers le bas. Fixez le contre-poids en place en plaçant le bras vers le haut. Vous devez ensuite glisser le poids vers le haut ou vers le bas afin de contrebalancer le poids de la viande puis serrez-le en place. Remplacez le moteur et commencez la cuisson. Placez la lèchefrite sous la viande pour récupérer le jus de cuisson qui servira pour arroser la viande et créer ainsi une délicieuse sauce naturelle. On peut également ajouter un peu d'eau si nécessaire pour favoriser l'arrosage. Afin de capturer le jus à l'intérieur de la viande, réglez le brûleur arrière à "high" jusqu'au brunissement puis, réduisez ensuite la chaleur pour une cuisson complète. Gardez le couvercle fermé pour obtenir de meilleurs résultats. Vos rôtis et volailles seront parfaitement dorés à l'extérieur tout en restant tendres et juteux à l'intérieur. Par exemple, un poulet de 3 livres sur la rôtissoire sera cuit dans approximativement 1h30 à une température entre moyenne et haute. Consultez votre "Livre de recettes toutes saisons" de NAPOLEON pour de plus amples informations.



AVERTISSEMENT! La sauce BBQ et le sel sont corrosifs et causeront une détérioration rapide des composantes de votre gril à gaz à moins de les nettoyer régulièrement. Une fois la cuisson terminée, démontez les composantes de la rôtissoire, lavez-les bien à l'eau chaude savonneuse et rangez-les à l'intérieur.

Utilisation Des Flamme Brûleurs Latéraux (si équipé) : Les brûleurs latéraux peuvent être utilisés comme un rond de cuisinière normal pour chauffer les sauces, les soupes etc. Le gril doit être placé de manière à ce que le vent n'affecte pas le fonctionnement des brûleurs latéraux car il en réduirait la performance. Le diamètre recommandé du chaudron ou de la poêle est de 60 à 220 mm.



AVERTISSEMENT! Ne faites jamais cuire des aliments sur les grilles des brûleurs latéraux. Elles sont spécifiquement conçues pour les chaudrons et les casseroles.



AVERTISSEMENT! Ne fermez pas le couvercle du brûleur latéral pendant que celui-ci fonctionne ou est chaud.

AVERTISSEMENT! N'utilisez PAS le brûleur latéral pour faire frire la nourriture, car le fait de cuire avec de l'huile peut créer une situation dangereuse.

Instructions D'entretien et de Nettoyage

Nous vous conseillons de faire inspecter ce gril à gaz annuellement par un technicien de service qualifié.



AVERTISSEMENT! Portez toujours des gants protecteurs et des lunettes de sécurité lorsque vous nettoyez votre gril.



AVERTISSEMENT! Assurez-vous que les brûleurs sont éteints avant de nettoyer. Éviter tout contact avec les surfaces chaudes. Nettoyez votre gril dans un endroit où les produits de nettoyage n'endommageront pas votre patio, terrain ou terrasse. N'utilisez pas de produit de nettoyage à fourneau pour nettoyer votre gril. La sauce BBQ et le sel sont très corrosifs et causeront une détérioration très rapide de votre gril à moins que vous ne fassiez un nettoyage régulier.



Note : L'acier inoxydable a tendance à s'oxyder ou à tacher en présence de chlorures et de sulfures que l'on retrouve particulièrement dans les zones côtières ainsi que dans les environnements chauds et humides tels que les piscines et les spas. Ces taches peuvent être prises pour de la rouille mais il peuvent être facilement enlevées et même évitées. Afin de prévenir les taches, nettoyez toutes les surfaces en acier inoxydable à toutes les trois à quatre semaines ou au besoin avec de l'eau douce et un nettoyant à acier inoxydable.



AVERTISSEMENT! Fermez le gaz à la source et débranchez l'appareil avant l'entretien. L'entretien devrait être effectué seulement lorsque le gril est froid pour éviter toutes possibilités de brûlure. Un test de détection de fuites devrait être effectué annuellement ou à chaque fois qu'une composante de gaz est remplacée.

Grilles de cuisson et grille de réchaud : Les grilles de cuisson et la grille de réchaud sont plus faciles à nettoyer durant la période de préchauffage en utilisant une brosse en laiton. Une laine d'acier peut être utilisée pour les taches les plus tenaces. Il est normal que les grilles de cuisson en acier inoxydable (s'il y a lieu) décolorent de façon permanente à l'usage en raison des températures élevées de la surface de cuisson.

Grilles de cuisson en fonte : Les grilles de cuisson en fonte incluses avec votre nouveau gril offrent une rétention et une distribution supérieures de la chaleur. En huilant vos grilles de cuisson, vous vous trouvez à ajouter une couche de protection qui aidera les grilles à mieux résister contre la corrosion et à augmenter les caractéristiques antiadhésives.

Première utilisation : Nettoyez les grilles de cuisson à la main avec un savon à vaisselle doux et de l'eau afin d'enlever tout résidu provenant du procédé de fabrication (ne jamais laver au lave-vaisselle). Rincez bien avec de l'eau chaude et séchez complètement avec un linge doux. Ceci est important pour éviter que de l'humidité pénètre la fonte.

Entretien : À l'aide d'un linge doux, appliquez une couche de SHORTENING VÉGÉTAL sur toute la surface de la grille en vous assurant de couvrir toutes les encoches et les coins. N'utilisez pas de corps gras salés comme du beurre ou de la margarine. Préchauffez votre gril pendant 15 minutes, puis placez les grilles de cuisson dans le gril. Tournez les boutons de commande à feu moyen puis fermez le couvercle. Laissez les grilles de cuisson chauffer environ une demi-heure. Éteignez le brûleur et fermez l'alimentation en gaz à la source. Laissez refroidir les grilles de cuisson. Cette procédure devrait être répétée plusieurs fois durant la saison, bien qu'elle ne soit pas requise à chaque utilisation du gril (suivez la procédure d'utilisation quotidienne ci-dessous).

Utilisation quotidienne : Avant de préchauffer et de nettoyer avec une brosse en laiton, appliquez une couche de SHORTENING VÉGÉTAL sur toute la surface des grilles. Préchauffez le gril et enlevez tous les résidus avec une brosse en laiton.

Grilles de cuisson en acier inoxydable : (ensemble de remplacement disponible – consulter la liste des pièces de rechange). Les grilles de cuisson en acier inoxydable sont durables et à l'épreuve de la corrosion. Elles nécessitent moins d'entretien que les grilles de cuisson en fonte. Nous vous recommandons de suivre la procédure d'utilisation quotidienne décrite plus haut, bien que le préchauffage et le nettoyage avec une brosse en laiton puissent s'avérer suffisants pour vos besoins.

Nettoyage Du Panneau De Contrôle : Le texte sur le panneau de contrôle est imprimé directement sur l'acier inoxydable. Avec un entretien adéquat, le texte demeurera toujours foncé et lisible. N'utilisez pas de détergents abrasifs (Ajax, Vim, Old Dutch etc.) pour nettoyer les surfaces en acier inoxydable, spécialement la partie imprimée du panneau de contrôle. Le texte disparaîtra graduellement si vous utilisez ces produits. Utilisez seulement le nettoyant d'acier inoxydable Napoléon, disponible chez votre détaillant Napoléon.

Nettoyage De L'intérieur Du Gril: Enlevez les grilles de cuisson. Utilisez une brosse en laiton pour enlever les débris non-incrustés sur les côtés de la cuve et à l'intérieur du couvercle. Grattez les plaques de brûleur avec un couteau à mastic ou un grattoir puis utilisez une brosse en laiton pour enlever la suie. Enlevez les plaques de brûleur et nettoyez les débris sur le brûleur à l'aide de la brosse. Nettoyez tous les débris qui se trouvent à l'intérieur du gril en les faisant tomber dans le tiroir d'égouttement. Le tiroir d'égouttement devrait être gratté à l'aide d'un couteau à mastic ou d'un grattoir en jetant les débris dans le récipient à graisse jetable. Le récipient jetable devrait être remplacé entre deux et quatre semaines selon la fréquence d'utilisation du gril. Pour vous procurer des récipients de rechange informez-vous à votre représentant. Assurez-vous de replacer les plaques de brûleur dans la bonne position. (Consultez les instructions de montage si nécessaire pour un positionnement correct).

Lumières : Retirez le verre de protection de la hotte à l'aide d'un tournevis à lame plate. Insérez la lame du tournevis entre le verre de protection et la hotte, et faites pivoter le tournevis. Ceci fera sauter le verre hors de la hotte. Pour nettoyer, trempez le verre de protection dans de l'eau savonneuse chaude. Nettoyez ensuite à l'aide d'un chiffon et d'un nettoyant non abrasif. Pour réinstaller, appuyez sur le verre de protection jusqu'à ce qu'il s'engage dans la hotte. Ne touchez pas à l'ampoule halogène, car le sébum de votre peau réduira la durée de vie de l'ampoule.

Tiroir d'égouttement : L'accumulation de graisse peut créer un risque de feu. Nettoyez le tiroir d'égouttement fréquemment (à toutes les 4 ou 5 utilisations ou au besoin) afin d'éviter une accumulation de graisse. La graisse et les jus de cuisson tombent dans le tiroir d'égouttement qui se trouve sous la cuve du gril et s'accumulent dans le récipient à graisse jetable qui se situe sous le tiroir d'égouttement. Pour accéder au récipient à graisse jetable ou pour nettoyer le tiroir d'égouttement, glissez ce dernier hors du gril. Ne tapissez jamais votre tiroir d'égouttement de papier d'aluminium, de sable ou de tout autre matériau, car ceci aurait pour effet de nuire au bon écoulement de la graisse. Le tiroir d'égouttement devrait être gratté à l'aide d'un couteau à mastic ou d'un grattoir. Remplacez le récipient à graisse jetable toutes les deux à quatre semaines selon la fréquence d'utilisation du gril. Pour vous procurer des récipients de rechange, consultez votre détaillant de gril Napoléon.

Nettoyage De L'extérieur Du Gril: N'utilisez pas de produits abrasifs pour nettoyer les pièces peintes, de fini porcelaine ou en acier inoxydable. Les éléments en porcelaine émaillée doivent être manipulés avec soin. Le fini émaillée étant cuit il devient comme du verre; il s'ébrêchera au moindre choc. Vous pouvez vous procurer de la peinture émaillée pour les retouches chez votre détaillant NAPOLEON. Utilisez une solution d'eau savonneuse chaude pour nettoyer l'extérieur du gril pendant qu'il est encore tiède au toucher. Pour nettoyer les surfaces en acier inoxydable utilisez un produit de nettoyage à acier inoxydable ou un produit de nettoyage tout usage sans abrasif. Frottez toujours dans le sens du grain. N'utilisez pas de laine d'acier car elle égratignerait le fini. Les pièces en acier inoxydable vont décolorer sous l'effet de la chaleur pour habituellement prendre une couleur dorée ou brune. Cette décoloration est normale et n'affectera pas la performance du gril.



AVERTISSEMENT! Boyau: Vérifiez l'usure, coupures, craquelures ou s'il est fondu. Si vous découvrez une de ces défauts, n'utilisez pas votre gril. Faites remplacer la pièce par votre détaillant NAPOLEON ou par un installateur qualifié.

Brûleur De Cuve : Le brûleur est fabriqué en acier inoxydable 304 de calibre épais, mais puisqu'il est soumis à des chaleurs extrêmes et à un environnement corrosif, la corrosion superficielle finit par survenir. Utilisez une brosse en laiton pour enlever la corrosion superficielle. Nettoyez tous les orifices obstrués à l'aide d'un trombone déplié. N'agrandissez pas les orifices du brûleur.



ATTENTION! Aux Araignées

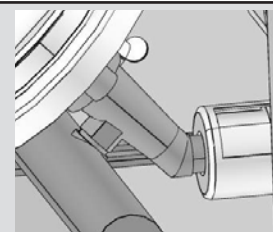
Les araignées et les insectes sont attirés par l'odeur du propane et du gaz naturel. Le brûleur est équipé d'un protecteur contre les insectes sur les venturis, ce qui réduira la possibilité que des insectes fassent leur nid à l'intérieur du brûleur, mais il n'élimine pas complètement le problème. Le nid ou la toile aura pour effet que le brûleur produira une flamme lâche de couleur jaune ou orange, ou causera un feu (retour de flamme) au niveau du venturi sous le panneau de contrôle. Pour nettoyer l'intérieur du brûleur vous devez le retirer du gril. Enlevez la vis située au centre de chaque brûleur. Soulevez l'arrière du brûleur pour enlever. Utilisez une brosse flexible de tube de venturi pour nettoyer l'intérieur du brûleur. Faites sortir tous les débris qui se trouvent à l'intérieur du brûleur en le brossant. En raison des débris de cuisson et de la corrosion, les orifices de brûleur peuvent se boucher avec le temps. Nettoyez les orifices bouchés à l'aide de ce foret inséré dans une petite perceuse sans fil. Les orifices du brûleur peuvent être nettoyés si le brûleur est en place. Toutefois, le nettoyage sera plus facile si le brûleur est retiré du gril. Ne pliez pas le foret en nettoyant les orifices, car le foret casserait. Ce foret doit être utilisé pour les orifices de brûleur seulement. Ne l'utilisez pas pour les orifices en laiton (jets) qui servent à régulariser le débit vers le brûleur.

Assurez-vous que le protecteur contre les insectes est propre, serré et exempt de fibres ou autres débris. Vérifiez également que les orifices de la soupape sont propres. N'agrandissez surtout pas les orifices. Réinstallez le brûleur.

Moulages En Aluminium: Nettoyez les moulages périodiquement à l'aide d'une solution d'eau savonneuse chaude. L'aluminium ne rouillera pas mais dû aux chaleurs élevées et aux effets climatiques, une oxydation se produira sur les surfaces d'aluminium. Ceci apparaîtra comme des taches blanches sur les moulages. Pour réparer le fini des moulages, sablez-les à l'aide d'un papier émeri fin. Essayez la surface et peignez avec de la peinture à gril haute température. Protégez les alentours des vapeurs de peinture. Suivez les directives de séchage inscrites sur la bonbonne de peinture.



AVERTISSEMENT! Lors de la réinstallation du brûleur après le nettoyage, il est très important que la soupape / l'orifice entre dans le brûleur avant que vous allumiez votre gril à gaz. Si la soupape n'est pas à l'intérieur du brûleur, un feu ou une explosion pourrait survenir.



FR

Guide De Dépannage

Problème	Causes possibles	Solutions
Faible chaleur/petite flamme lorsque le bouton de contrôle est à « high ».	<p>Pour le propane - procédure d'allumage incorrecte.</p> <p>Pour le gaz naturel - tuyau d'alimentation trop petit.</p> <p>Pour les deux sortes de gaz - mauvais préchauffage.</p>	<p>Assurez-vous que la procédure d'allumage est suivie à la lettre. Tous les boutons de contrôle du gril doivent être fermés lorsque vous ouvrez la soupape de la bonbonne. Tournez la soupape de la bonbonne lentement pour assurer l'équilibre de la pression. Voir les instructions d'allumage.</p> <p>La grosseur du tuyau doit être conforme au code d'installation.</p> <p>Préchauffez le gril en allumant les brûleurs de cuve à « high » pendant 5 à 10 minutes.</p>
Poussées de flamme excessives/ chaleur inégale.	<p>Mauvais préchauffage.</p> <p>Accumulation excessive de graisse et de cendres sur les plaques de brûleur et dans le tiroir d'égouttement.</p>	<p>Préchauffez le gril en allumant les brûleurs de cuve à « high » pendant 5 à 10 minutes.</p> <p>Nettoyez les plaques de brûleur et le tiroir d'égouttement régulièrement. Ne tapissez pas le tiroir d'égouttement avec du papier d'aluminium ou tout autre matériau. Consultez les instructions de nettoyage.</p>
Les flammes produites par les brûleurs sont jaunes et vous détectez une odeur de gaz.	Possibilité de toiles d'araignées ou autres débris, ou d'un mauvais ajustement des volets d'air.	Retirez le brûleur et nettoyez-le complètement. Consultez les instructions d'entretien.
Le régulateur murmure lorsque l'appareil fonctionne.	Problème normal par temps chaud.	Ceci n'est pas un défaut. Le murmure est causé par une vibration à l'intérieur du régulateur et n'affecte en rien la performance et la sécurité du gril à gaz. Les régulateurs émettant un murmure ne seront pas remplacés.
Les brûleurs ne s'allument pas les uns aux autres.	Les orifices sont bouchés à l'arrière du brûleur.	Nettoyez les orifices du brûleur. Consultez les instructions d'entretien.
La peinture semble peler à l'intérieur du couvercle ou de la hotte.	Accumulation de graisse sur les surfaces internes.	Ceci n'est pas un défaut. Le fini du couvercle et de la hotte est en acier inoxydable et ne pèlera pas. Le pelage est causé par la graisse qui durcit et sèche comme des éclats de peinture qui pèlent. Un nettoyage régulier préviendra ce problème. Consultez les instructions de nettoyage.

GARDEZ VOTRE REÇU COMME PREUVE D'ACHAT POUR VALIDER VOTRE

Commande De Pièces De Rechange

Information Sur La Garantie

MODÈLE: _____

DATE D'ACHAT: _____

NUMÉRO DE SÉRIE: _____

(Inscrivez l'information ici pour y avoir accès facilement.)

Avant de contacter le département du service aux consommateurs, consultez le site Web de NAC pour obtenir plus d'instructions sur le nettoyage, l'entretien, le dépannage et le remplacement des pièces à www.napoleongrills.com. Contactez le fabricant directement pour obtenir des pièces de rechange et faire des réclamations au titre de la garantie. Le département du service aux consommateurs est à votre disposition entre 9 h et 17 h (heure normale de l'Est) au 1-866-820-8686 ou par télécopieur au 705-727-4282. Pour qu'une réclamation soit traitée, l'information suivante est nécessaire :

1. Modèle et numéro de série de l'appareil.
2. Numéro de la pièce et description.
3. Description concise du problème (« brisé » n'est pas suffisant).
4. Preuve d'achat (copie de la facture).

Dans certains cas, le département du service aux consommateurs peut demander de retourner la pièce pour des fins d'inspection avant de fournir une pièce de rechange. Les pièces doivent être expédiées port payé à l'attention du département du service aux consommateurs avec l'information suivante :

1. Modèle et numéro de série de l'appareil.
2. Description concise du problème (« brisé » n'est pas suffisant).
3. Preuve d'achat (copie de la facture).
4. Numéro d'autorisation de retour - fourni par le représentant du département du service aux consommateurs.

Avant de contacter le service aux consommateurs, veuillez prendre note que les items suivants ne sont pas couverts par la garantie :

- coûts de transport, de courtage et frais d'exportation;
- coûts de main-d'oeuvre pour l'enlèvement et l'installation de la pièce;
- coûts des appels de service pour diagnostiquer le problème;
- décoloration des pièces en acier inoxydable;
- bris des pièces causé par un manque d'entretien et de nettoyage, ou par l'utilisation de nettoyeurs inappropriés (nettoyant à fourneau).



ATTENTION! Lors du déballage et de l'assemblage, nous vous conseillons de porter des gants de travail et des lunettes de sécurité pour votre protection. Malgré tous nos efforts pour assurer que l'assemblage soit aussi sécuritaire et sans problème que possible, il se peut que les bords et les coins des pièces usinées en acier soient coupants et qu'ils causent des coupures si les pièces ne sont pas manipulées correctement.

Pour Commencer

1. Retirez tous les panneaux, le matériel et le gril du carton d'emballage. Soulevez le couvercle et enlevez les composants qui se trouvent à l'intérieur. Servez-vous de la liste de pièces pour vous assurer que toutes les pièces nécessaires sont incluses.
2. Ne détruisez pas l'emballage jusqu'à ce que le gril ait été complètement assemblé et qu'il fonctionne à votre satisfaction.
3. Assemblez le gril là où il sera utilisé et posez un carton ou une serviette afin d'éviter de perdre ou d'endommager les pièces lors de l'assemblage.
4. La plupart des pièces en acier inoxydable possèdent un revêtement de plastique protecteur qui doit être enlevé avant d'utiliser le gril.
5. Suivez toutes les instructions dans l'ordre donné dans ce manuel.

Deux personnes sont requises pour soulever la cuve de gril et la placer sur le chariot assemblé.

Si vous avez des questions à propos de l'assemblage ou du fonctionnement du gril, ou si des pièces sont manquantes ou endommagées, veuillez appeler notre département du Service aux Consommateurs au 1-866-820-8686 entre 9 h et 17 h (heure normale de l'Est).

OUTILS REQUIS POUR L'ASSEMBLAGE (outils non inclus)

Tournevis ou clé,
 cliquet de
 3/8" and 5/8"



Tournevis phillips



Pinces



Marteau





TÉLÉCOPIEZ AU: 705 727 4282

FR

BON DE COMMANDE POUR PIÈCES/ACCESSOIRES

NOM DU CLIENT _____

ADRESSE: _____

TÉLÉPHONE : _____ FAX : _____

EMAIL: _____

VISA OU MASTERCARD : _____ DATE D'EXPIRATION : _____

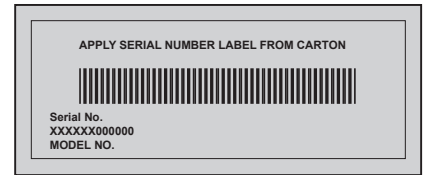
SIGNATURE: _____

QUANTITÉ	NUMÉRO DE PRODUIT	DESCRIPTION

LES TAXES PEUVENT S'APPLIQUER
LES FRAIS D'EXPEDITION SUPPLÉMENTAIRE

**SI VOUS DÉSIREZ RECEVOIR UNE CONFIRMATION, VEUILLEZ INCLURE UN NUMÉRO DE
TÉLÉCOPIEUR OU UNE ADRESSE COURRIEL**

Dieser Gasgrill darf nur an einem gut belüfteten Ort im Freien benutzt werden, nicht jedoch in einem Gebäude, einer Garage oder einem anderen geschlossenen Bereich.



495, 495SB



GEFAHR

WENN ES NACH GAS RIECHT:

- Gaszufuhr zum Gerät absperren.
- Flammen löschen.
- Haube öffnen.
- Wenn es weiterhin nach Gas riechen sollte, dem Gerät fernbleiben und unverzüglich den Gaslieferanten oder die Feuerwehr benachrichtigen.



ACHTUNG

Vor dem Zünden dieses Geräts bitte unbedingt den Abschnitt „ZÜNDANLEITUNG“ lesen.

In der Nähe dieses oder anderer Geräte dürfen weder Benzin noch andere brennbaren Flüssigkeiten oder Gase gelagert werden. Dies gilt auch für nicht angeschlossene Gasflaschen. Ein Nichtbefolgen dieser Anleitung kann durch Brände oder Explosionen zu Sachschäden und Körperverletzungen, auch zu tödlichen, führen.

Bitte Bewahren Sie Diese Anleitung Auf



0359-12

Napoleon Appliance Corp.,
214 Bayview Dr., Barrie, Ontario, Canada L4N 4Y8 Phone: 1-866-820-8686
Fax: (705)725-2564 email: wecare@napoleonproducts.com web site: www.napoleongrills.com

VIELEN DANK, DASS SIE SICH FÜR NAPOLEON ENTSCIEDEN HABEN!

NAPOLEON-Produkte werden ausschließlich mit Komponenten und Materialien von höchster Qualität hergestellt, die von unseren geschulten und qualitätsorientierten Technikern montiert werden. Die Brenner und Ventile werden vor Auslieferung auf Dichtigkeit getestet und einem Zündtest unterzogen. Dieser Grill wurde vor Verpackung und Auslieferung gründlich von unserem geschulten Personal geprüft, um sicherzustellen, dass unsere Kunden die hohe Qualität erhalten, die sie von allen Napoleon-Produkten erwarten können.

Das höchste Ziel aller Napoleon-Mitarbeiter ist höchste Kundenzufriedenheit und wir möchten Ihnen die notwendigen Werkzeuge zur Verfügung zu stellen, um ein unvergessliches Grillerlebnis zu erzielen. In diesem Handbuch finden Sie die nötigen Anweisungen für die sichere und ordnungsgemäße Montage, Installation, Wartung und Pflege Ihres Grills. Lesen Sie diese Bedienungsanleitung vollständig durch und machen Sie sich mit allen Sicherheitshinweisen und den Gerätefunktionen vertraut, bevor Sie Ihren neuen Grill in Betrieb nehmen. Bei genauer Befolgung aller Anweisungen in dieser Bedienungsanleitung werden Sie Ihren Grill über viele Jahre genießen können. Falls Sie aus irgendeinem Grund nicht mit unserem Produkt zufrieden sein sollten, wenden Sie sich bitte an unseren Kundendienst unter der Telefonnummer +1-866-820-8686 zwischen 9 Uhr und 17.00 Uhr Eastern Standard Time oder besuchen Sie unsere Website.

Beschränkte President-Garantie auf Lebenszeit von Napoleon-Gasgrills

NAPOLEON garantiert dem Erstkäufer dieses NAPOLEON-Gasgrills, dass der Gasgrill für 10 Jahre frei von Material- und Verarbeitungsmängeln ist, solange der Grill sich in seinem Besitz befindet. Diese Garantie umfasst Aluminiumgussteile (ausschließlich Lackierung), Edelstahlbedienleiste (unbedruckt), und Edelstahlbrenner unter den folgenden Bedingungen: In den ersten fünf (5) Jahren ab Kaufdatum ersetzt NAPOLEON nach seinem Ermessen defekte Teile kostenlos. Ab dem sechsten bis zum zehnten Jahr ab Kaufdatum ersetzt NAPOLEON defekte Teile gegen Zahlung von 50 % des aktuellen Verkaufspreises.

Die Garantie umfasst Hauben und Grilleinsätze aus Edelstahl oder Porzellan sowie Haubengriffe für 5 Jahre unter den folgenden Bedingungen: In den ersten drei (3) Jahren ab Kaufdatum ersetzt NAPOLEON nach seinem Ermessen defekte Teile kostenlos. Im vierten und fünften Jahr ab Kaufdatum ersetzt NAPOLEON defekte Teile gegen Zahlung von 50 % des aktuellen Verkaufspreises.

Diese beschränkte Garantie umfasst alle anderen Komponenten einschließlich Edelstahl- oder Porzellan-Flammenschutzsätze, Grillroste aus Edelstahl oder Gusseisen, Ventile, Zündsystem, Thermometer, Bedienelemente, Druckregler, Lenkrollen, Warmhalteroste, Schläuche und Anschlüsse, Befestigungselemente und Zubehörteile und im ersten Jahr ab Kaufdatum den kostenlosen Ersatz defekter Teile durch NAPOLEON.

Transportkosten, Arbeitskosten oder Exportzölle werden von NAPOLEON nicht erstattet.

Bedingungen Und Beschränkungen

Nur dem Erstkäufer und der das Gerät von einem NAPOLEON-Vertragshändler gekauft hat, garantiert NAPOLEON, dass ihre Produkte frei von Verarbeitungsfehlern sind. Dabei gelten folgende Bedingungen und Beschränkungen:

Die Herstellergarantie ist nicht übertragbar und kann auf keinen Fall von einem unserer Vertreter verlängert werden.

Der Gasgrill muss von einem hierfür lizenzierten und autorisierten Techniker installiert werden. Die Installation hat gemäß der mitgelieferten Installationsanleitung sowie der gesetzlichen Bau- und Brandschutzvorschriften zu erfolgen.

Diese beschränkte Garantie deckt keine Schäden, die durch unsachgemäße Bedienung, mangelhafte Wartung, Fettbrände, Umwelteinflüsse, Unfälle, Modifikationen, Missbrauch oder Vernachlässigung entstehen. Der Einbau von Ersatzteilen anderer Hersteller macht diese Garantie null und nichtig.

Weiterhin deckt diese beschränkte Garantie Folgendes nicht ab: Kratzer, Beulen, Lackschäden, Korrosion oder Verfärbung durch Hitze oder scheuernde oder chemische Reinigungsmittel, abgestoßene Porzellanemalle sowie Teile, die bei der Installation des Gasgrill benutzt werden.

Sollte ein Teil in der Garantiezeit soweit beeinträchtigt werden, dass es seine Funktion nicht mehr erfüllt, wird ein Ersatzteil zur Verfügung gestellt.

Nur im ersten Jahr erstreckt sich diese Garantie auf den Ersatz der garantierten Teile, wenn diese trotz Bedienung gemäß Bedienungsanleitung und unter normalen Bedingungen Material- oder Verarbeitungsfehler aufweisen.

Nach dem ersten Jahr kann sich NAPOLEON gemäß dieser beschränkten President-Lebenszeitgarantie nach eigenem Ermessen sämtlicher Garantieverpflichtungen entledigen, indem sie dem Erstkäufer den Großhandelspreis eines defekten Garantieteils erstatten.

NAPOLEON ist nicht verantwortlich für Installations-, Arbeits- oder sonstige Kosten oder Auslagen, die in Verbindung mit der Installation eines Garantieteils anfallen; solche Kosten sind nicht von dieser Garantie gedeckt.

Ungeachtet der Bestimmungen in dieser beschränkten President-Lebenszeitgarantie beschränkt sich NAPOLEONs Verantwortung auf das Obige und deckt auf keinen Fall etwaige Neben-, Folge- oder indirekte Schäden.

In diesen Garantiebestimmungen werden NAPOLEONs Verpflichtung und Haftung bezüglich NAPOLEON-Gasgrills definiert. Sonstige ausdrücklichen oder angenommenen Gewährleistungen bezüglich dieses Produkts, seiner Bauteile und seines Zubehörs sind ausgeschlossen.

Im Zusammenhang mit dem Verkauf dieses Produkts übernimmt NAPOLEON keine weiteren Verpflichtungen und autorisiert auch Dritte nicht dazu, in ihrem Namen weitere Verpflichtungen zu übernehmen. NAPOLEON ist nicht verantwortlich für Überbrennen, Ausblasen durch äußere Einflüsse wie starke Winde, unzureichende Belüftung usw.

Für Beschädigungen des Gasgrills durch Wittereinflüsse, Hagel, schlechte Behandlung und schädliche Chemikalien oder Reinigungsmittel ist NAPOLEON nicht verantwortlich.

Im Garantiefall ist der Kaufbeleg oder eine Kopie davon zusammen mit der Serien- und der Modellnummer vorzulegen.

NAPOLEON behält sich im Fall eines Garantieanspruchs das Recht vor, das Produkt oder ein Teil des Produkts von einem Firmenvertreter inspizieren zu lassen.

Die Transport- und Arbeitskosten sowie etwaige Exportzölle trägt NAPOLEON nicht.



ACHTUNG! Ein Nichtbefolgen dieser Anleitung kann durch Brände oder Explosionen zu Sachschäden und Körperverletzungen, auch zu tödlichen, führen.

Vorsichtsmassnahmen

- Bei der Montage dieses Gasgrills müssen die Anweisungen im Handbuch genau befolgt werden. Falls der Grill vollständig montiert aufbewahrt wurde, müssen die Montageanweisungen erneut überprüft und die erforderlichen Prüfungen auf Gaslecks durchgeführt werden, bevor der Grill in Betrieb genommen wird.
- Vor dem ersten Gebrauch des Gasgrills die gesamte Anleitung lesen.
- Auf keinen Fall darf dieser Gasgrill modifiziert werden.
- Grill stets genau nach Anleitung zünden.
- Wenn der Gasgrill nicht benutzt wird, muss die Gaszufuhr an der Gasflasche oder die Erdgaszufuhr abgesperrt werden.
- Kinder und Haustiere vom heißen Grill fernhalten, Kinder NICHT in den Unterschrank klettern lassen.
- Kinder vom Grill fernhalten oder beaufsichtigen - dieses Gerät ist kein Spielzeug!
- Dieses Gerät ist für den Gebrauch durch Personen (einschließlich Kindern) mit eingeschränkten physischen, sensorischen oder psychischen Fähigkeiten bzw. ohne jegliche Erfahrung oder Vorwissen nur dann geeignet, wenn eine angemessene Aufsicht oder ausführliche Anleitung zur Benutzung des Geräts durch eine verantwortliche Person sichergestellt ist.
- Den Grill niemals unbeaufsichtigt lassen, wenn er in Betrieb ist.
- Den Grill nicht bewegen, solange er heiß oder in Betrieb ist.
- Dieser Grill ist nur für den Privatgebrauch bestimmt.
- Dieser Gasgrill ist nicht zum Einbau in Wohnwagen/Wohnmobilen und/oder Booten vorgesehen.
- Diesen Gasgrill nur im Freien an einer gut belüfteten Stelle lagern. Niemals in einem Gebäude, einer Garage oder einem geschlossenen Bereich/Raum benutzen.
- Ausreichenden Abstand zu brennbaren Materialien einhalten (410 mm zur Geräterückseite, 180 mm zu den Seitenteilen). Zusätzlicher Abstand (610 mm) ist empfehlenswert, wenn das Gerät in der Nähe von Vinyl-Verkleidungen oder großen Fensterscheiben aufgestellt wird.
- Stellen Sie sicher, dass die Lüftungslöcher des Zylinders stets frei von Schmutz und Ablagerungen sind.
- Gerät niemals unter einer ungeschützten brennbaren baulichen Struktur aufstellen.
- Gerät nur an einem windgeschützten Ort aufstellen. Die Kochleistung des Gasgrills wird durch starke Windeinwirkung beeinträchtigt.
- Falls der Gasgrill im Innenbereich gelagert wird, muss die Propangasflasche vom Grill entfernt und im Freien an einer gut belüfteten Stelle aufbewahrt werden. Propangasflaschen dürfen nicht in Gebäuden, Garagen oder anderen geschlossenen Räumen gelagert werden.
- Vor jeder Benutzung muss der Gasschlauch untersucht werden. Wenn der Schlauch stark abgerieben oder eingeschnitten ist, muss er vor Benutzung des Gasgrills mit einem vom Hersteller empfohlenen Schlauch ersetzt werden.
- Ersatz-Propangasflaschen niemals unter oder in der Nähe des Grills aufbewahren.
- Die Gasflasche niemals mehr als 80 % füllen.
- Versuchen Sie nicht, eine Gasflasche zu verwenden, die nicht mit einer Verbindung vom Typ QCC1 ausgestattet ist.
- Vor der ersten Inbetriebnahme alle Anschlüsse auf Gaslecks prüfen, auch wenn der Grill vollständig montiert geliefert wurde. Führen Sie diesen Test jährlich oder nach dem Austausch einer Gaskomponente aus.
- Niemals ein für den Gebrauch mit flüssigem Propangas ausgelegtes Gerät mit Erdgas betreiben.
- Niemals flüssige Grillanzünder zum Anzünden eines Gasgrills verwenden.
- Holzkohlenbriketts nur mit einer für dieses Gerät vorgesehenen Napoleon-Holzkohlenwanne verwenden.
- Vor Öffnen der Gaszufuhr kontrollieren, dass die Brenner-Bedienelemente auf der Position „OFF“ (Aus) stehen.
- Brenner niemals bei geschlossener Grillhaube zünden.
- Rückseitigen Brenner nicht verwenden, wenn der Hauptbrenner in Betrieb ist.
- Grillhaube während der Vorwärmzeit geschlossen halten.
- Den Schlauch nicht unter der Auffangschale durchführen – stets ausreichenden Abstand des Schlauches zum Geräteboden einhalten.
- Fett-Auffangbehälter und Glühplatten regelmäßig reinigen, um Fettansammlungen zu vermeiden, die zu Fettbränden führen können.
- Vor dem Anzünden des hinteren Brenners den Warmhalterost entfernen. Der Warmhalterost kann durch die extreme Hitze beschädigt werden.
- Korrekte Position der Glühplatten kontrollieren. Folgen Sie hierzu den Installationsanweisungen für die Glühplatten.
- Die Seitenablagen nicht für die Aufbewahrung von Feuerzeugen, Streichhölzern oder anderen brennbaren Materialien verwenden.
- Gasleitung von allen Oberflächen fernhalten, die heiß werden können.
- Elektrische Kabel von Wasser oder heißen Oberflächen fernhalten.
- Venturirohrdüsen der Infrarotbrenner periodisch auf Spinnweben und Verstopfungen durch andere Objekte überprüfen.
- Die Rohrdüsen vollständig reinigen, um alle Verstopfungen zu entfernen.
- Der Außen-Gasgrill und das entsprechende Sperrventil müssen vom Gaszufuhrsystem getrennt werden, wenn das Gassystem aus Gasdrücke von über 0,5 psi (3,5 kPa) geprüft wird.
- Der Gasgrill für den Gebrauch im Freien und das entsprechende Sperrventil müssen vom Gaszufuhr und den Verbindungsrohren getrennt werden, wenn das Gassystem aus Gasdrücke von über 0,5 psi (3,5 kPa) geprüft wird.



Entsorgung von Altgeräten aus privaten Haushalten in der EU

Dieses Symbol auf dem Produkt oder dessen Verpackung gibt an, dass das Produkt innerhalb der EU nicht zusammen mit dem Restmüll entsorgt werden darf. Die separate Sammlung und das Recyceln Ihrer alten Elektrogeräte zum Zeitpunkt ihrer Entsorgung trägt zum Schutz der Umwelt bei und gewährleistet, dass sie auf eine Art und Weise recycelt werden, die keine Gefährdung für die Gesundheit des Menschen und der Umwelt darstellt. Es obliegt daher Ihrer Verantwortung, das Gerät an einer entsprechenden Rücknahmestelle für die Entsorgung oder Wiederverwertung von Elektro- oder Elektronik-Altgeräten aller Art abzugeben oder wenden Sie sich an den Händler, von dem das Produkt erworben wurde. Gemäß den lokalen Bestimmungen gewährleisten diese Stellen, dass das Gerät auf eine Art und Weise recycelt wird, die keine Gefährdung für die Umwelt darstellt.

Gasflaschen

Es dürfen nur Gasflaschen benutzt werden, die die einschlägigen gesetzlichen Bestimmungen erfüllen. Die Mindestflaschengröße bei Butan ist 13 kg, bei Propan 6 kg. Die Flasche muss eine für den Betrieb ausreichende Gasmenge liefern können. Im Zweifelsfall wird der Gaslieferant mit Informationen helfen.

- Das Ventil der Gasflasche ist vorsichtig zu behandeln.
 - Eine Flasche, die die gesetzlichen Bestimmungen nicht erfüllt, darf nicht angeschlossen werden.
- Eine mehr als 7 kg (maximale Größe 465mm hoch durch ausgedehnte 306mm) fassende Flasche muss außerhalb der Einfassung (unter der rechten Seitenablage) auf ebenem Boden stehen. Kleinere Flaschen können innerhalb der Einfassung in der Aussparung im unteren Regal stehen. Nur angeschlossene Gasflaschen dürfen in der Einfassung oder nahe am Gerät stehen. Reserveflaschen dürfen nicht in der Nähe eines betriebenen Geräts gelagert werden. Gasflaschen dürfen weder großer Hitze noch dem direkten Sonnenlicht ausgesetzt werden.



ACHTUNG! Der Schlauch muss den vorgeschriebenen Abstand zum Boden des Geräts haben. Wenn der Schlauch heiße Flächen berührt, kann er schmelzen und undicht werden und einen Brand verursachen.

FLASCHENANSCHLUSS: Es ist sicherzustellen, dass der Gasreglerschlauch knickfrei ist. Kappe oder Stöpsel vom Flaschenventil entfernen. Regler an das Flaschenventil anschließen. *Vor der Benutzung des Grills alle Verbindungen auf Leckagen überprüfen.* Ein Leckagetest muss jährlich, nach jedem Anschließen einer Flasche und nach Auswechseln eines Gasbauteils durchgeführt werden..



ACHTUNG!

- Schlauch nicht unterhalb der Auffangschale verlegen.
- Schlauch nicht im Zwischenraum zwischen dem unteren Regal und der hinteren Abdeckung verlegen.
- Schlauch nicht über die Oberseite der hinteren Abdeckung verlegen.
- Alle Schlauchanschlüsse mit zwei Rohrschlüsseln fest anziehen. Kein Teflon-Abdichtungsband oder Dichtungskitt für die Rohrverbindungen verwenden.
- Den Schlauch von heißen Oberflächen fernhalten. Schmelzen des Schlauchs kann zu Bränden führen.
- Ersatzschläuche nicht im Unterschrank des Grills aufbewahren, da hier größere Gefahr besteht, dass der Schlauch mit einer heißen Oberfläche in Kontakt kommen, schmelzen und zu einem Gasleck und Bränden führen kann.
- Alle Verbindungen mit Seifenlauge auf Gaslecks überprüfen. Folgen Sie den Anweisungen für die Suche nach Gaslecks in diesem Handbuch.

Gasschlauch

- Gehören Schlauch und Regler nicht zum Lieferumfang, dürfen nur solche Schläuche und Regler verwendet werden, die die einschlägigen gesetzlichen Bestimmungen erfüllen.
- Gerät nicht an eine permanente Gasversorgung anschließen.
- Der Schlauch darf nicht mit Fett oder sonstigen heißen Flüssigkeiten oder Bauteilen des Geräts in Berührung kommen.
- Schlauch regelmäßig überprüfen. Ein Schlauch, der Risse oder Schmelzstellen aufweist oder abgenutzt ist, muss vor der nächsten Benutzung des Geräts ersetzt werden.
- Es wird eine Schlauchlänge von 0,5 m empfohlen. Der Schlauch darf nicht länger als 1,5 m sein.
- Beim Anschließen ist darauf zu achten, dass der Schlauch knickfrei und nicht verdreht ist.
- Der Schlauch ist vor dem aufgedruckten Ablaufdatum auszuwechseln.

Regler

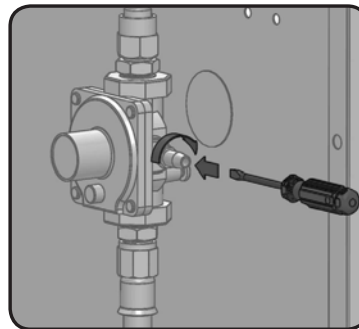
In der folgenden Tabelle sind die Anschlusswerte des Geräts aufgeführt.

Brenner	Düsengrösse	(Grob)Leistung (Insgesamt)	Gasverbrauch (Insgesamt)
Haupt	1.07mm (#58)	16.0 kw	1160 g/hr
Seite	0.82mm	2.4 kw	174 g/hr

Zugelassene Gase / Druck - Die Werte Ihres Geräts stehen auf dem Typenschild.

Gaskategorie	'3B/P(30)	'3+(28-30/37)	'3B/P(37)	'3B/P(50)
Gasdruck	Butan 30mbar Propane 30mbar	Butan 28-30mbar Propane 37mbar	Butan 37mbar Propane 37mbar	Butan 50mbar Propane 50mbar
Länder	BE, BG, CY, DK, EE, FI, FR, GB, HR, HU, IS, IT, LT, LU, MT, NL, NO, RO, SE, SI, SK, TR	BE, CH, CY, CZ, ES, FR, GB, GR, IE, IT, LT, LU, LV, PT, SK, SI	PL	AT, CH, DE, SK

Nehmen Sie keinerlei Änderungen am Druckregler vor. Nur Druckregler verwenden, die den in der vorstehenden Tabelle angegebenen Druck bereitstellen. Für Butangas nur 28-30 mbar-Druckregler verwenden oder für Propangas 37 mbar-Druckregler. Der Grill ist mit einem internen Druckregler ausgestattet. Der interne Druckregler hat einen Auslassdruck von 24,5 mbar für Propan-/Butangas und erfordert keine Modifizierung oder Anpassung. Ersetzen Sie den Druckregler nur mit vom Hersteller vorgegebenen Modellen.



Diese Einheit ist mit einem internen Druckregler ausgestattet, der den Gasdruck stabilisiert und die Grillleistung verbessert. Dieser Druckregler ist nicht anpassbar. An der Seite des Druckreglers befindet sich ein Druckhahn. Dieser kann von einem entsprechend ausgebildeten Kundendiensttechniker dazu verwendet werden, die Funktion des Druckreglers zu überprüfen. Die Schraube mit dem Druckhahn muss stets fest angezogen sein, außer bei der Durchführung eines Drucktests am Druckregler (nur durch entsprechend geschulten Servicetechniker).

Anleitung Für Die Leckageprüfung



ACHTUNG! Ein Leckagetest muss vor der ersten Benutzung, jährlich und nach Auswechseln oder Warten eines Gasbauteils durchgeführt werden.



ACHTUNG! Während der Prüfung ist Rauchen verboten. Alle Zündquellen sind zu entfernen.



Leckageprüfung: Ein Leckagetest muss vor der ersten Benutzung, jährlich und nach Auswechseln oder Warten eines Gasbauteils durchgeführt werden. Während der Prüfung ist Rauchen verboten. Alle Zündquellen sind zu entfernen. Die zu prüfenden Stellen sind auf der Leckageprüfzeichnung aufgeführt.



Alle Brenner abstellen. Flaschenventil aufdrehen.

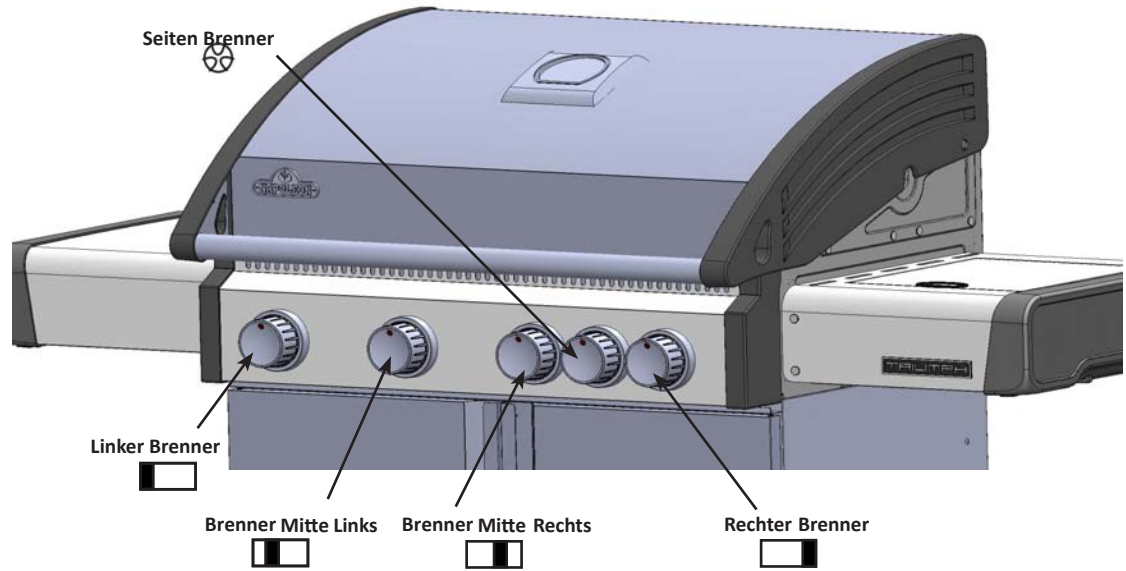


Seifenwasser (halb Wasser, halb Flüssigseife) auf alle Anschlüsse und Verbindungen an Regler, Schlauch, Verteiler und Ventile auftragen.

Leckagen werden durch Blasenbildung angezeigt. Leckage durch Festdrehen des Anschlusses oder Austausch des Teils durch ein vom Händler empfohlenes Teil beseitigen.

bleibt die Leckage bestehen, Flaschenventil zudrehen, Regler abnehmen und Grill vom Gaslieferanten oder Händler untersuchen lassen. Das Gerät darf erst wieder benutzt werden, wenn die Leckage behoben ist. Gaszufuhr abstellen.

Zündanleitung



DE



ACHTUNG! Haube öffnen.

ACHTUNG! Stellen Sie sicher, dass alle Brenner- Bedienelemente auf „OFF“ (Aus) gestellt sind, und öffnen Sie das Gasventil an der Gasquelle.

Ausschaltstellung



Anzünden des Hauptbrenners	Anzünden des rückseitigen Brenners (Rotisseriebrenner) (Falls vorhanden)	Anzünden der Seitenbrenner (Falls vorhanden)
1. Haube öffnen.	1. Haube öffnen.	1. Haube des Seitenbrenners öffnen.
2. Beliebiges Hauptbrenner- Bedienelement drücken und langsam auf Stufe „HI“ (Hohe Flamme) drehen. Hierdurch wird die Pilotflamme gezündet, welche wiederum den ausgewählten Brenner entzündet. Nach Zünden der Pilot flamme das Bedienelement weiterhin gedrückt halten, bis der Brenner entzündet ist. Lassen Sie das Bedienelement los, wenn das Gas brennt.	2. Warmhalterost abnehmen.	2. Seitenbrenner- Bedienelement drücken und langsam auf Stufe „HI“ (Hohe Flamme) drehen. Hierdurch wird der Seitenbrenner gezündet
3. Wenn der Pilot nicht zündet, das Bedienelement SOFORT wieder auf „OFF“ (Aus) stellen und Schritt 2 mehrmals wiederholen.	3. Rotisseriebrenner-Bedienelement drücken und langsam auf Stufe „HI“ (Hohe Flamme) drehen. Hierdurch wird die Pilotflamme gezündet, welche wiederum den Brenner entzündet. Nach Zünden der Pilotflamme das Bedienelement weiterhin gedrückt halten, bis der Brenner entzündet ist. Lassen Sie das Bedienelement los, wenn das Gas brennt.	3. Wenn der Brenner nicht zündet, das Bedienelement SOFORT wieder auf „OFF“ (Aus) stellen und Schritt 2 mehrmals wiederholen.
4. Falls Pilot und Brenner nicht innerhalb von 5 SEKUNDEN zünden, das Bedienelement auf „OFF“ stellen und 5 Minuten warten, damit sich unverbranntes Gas verflüchtigen kann. Danach die Schritte 2 und 3 wiederholen oder den Brenner mit einem Streichholz entzünden.	4. Wenn der Brenner nicht zündet, das Bedienelement SOFORT wieder auf „OFF“ (Aus) stellen und Schritt 3 mehrmals wiederholen.	4. Falls der Brenner nicht innerhalb von 5 SEKUNDEN zündet, das Bedienelement auf „OFF“ stellen und 5 Minuten warten, damit sich unverbranntes Gas verflüchtigen kann. Danach die Schritte 2 und 3 wiederholen oder den Brenner mit einem Streichholz entzünden.
5. Falls der Grill mit einem Streichholz angezündet wird, klemmen Sie das Streichholz in den mitgelieferten Streichholzhalter ein. Das brennende Streichholz nach unten halten, durch den Grill und die Glühplatte führen und dabei das entsprechende Brennerventil auf hohe Flamme drehen.	5. Falls der Brenner nicht innerhalb von 5 SEKUNDEN zündet, das Bedienelement auf „OFF“ stellen und 5 Minuten warten, damit sich unverbranntes Gas verflüchtigen kann. Danach die Schritte 3 und 4 wiederholen oder den Brenner mit einem Streichholz entzünden.	



Betrieb Des Grillgeräts

Beim allerersten Erhitzen gibt der Gasgrill einen leichten Geruch ab. Der Geruch wird durch das „Einbrennen“ der Innenlacke und Verdunsten der Schmiermittel aus der Fertigung verursacht, ist ganz normal und tritt später nicht mehr auf. Vor der ersten Benutzung sollten Sie darum die Hauptbrenner etwa eine halbe Stunde mit größter Hitze brennen lassen. Vor dem Grillen von magerem Fleisch wie Hähnchenbrust oder mageres Schweinefleisch ist es am besten, die Roste vor dem Vorwärmen zu ölen, damit das Fleisch nicht anklebt. Beim Grillen von sehr fettem Fleisch kann es zum Aufflammen kommen. Um Aufflammen zu verhindern, können Sie Fett abschneiden oder mit niedrigerer Temperatur grillen. Wenn es zum Aufflammen kommt, legen Sie das Fleisch von der Flamme weg zur Seite und stellen die Temperatur herunter. Lassen Sie die Haube offen. Eine detaillierte Anleitung finden Sie in Napoleons Grill-Kochbuch.

Grillen Mit Den Hauptbrennern: Vor dem Anbraten von Grillgut wird 10 Minuten Vorwärmen empfohlen. Dafür werden alle Hauptbrenner auf die höchste Stufe gestellt und die Haube geschlossen. Kurz zu grillende Nahrungsmittel wie Fisch und Gemüse können bei offener Haube gegrillt werden. Beim Grillen bei geschlossener Haube ist die Temperatur gleichmäßiger und höher, sodass die Grillzeit kürzer ist und das Fleisch gleichmäßiger gegrillt wird. Benötigt ein Grillgut länger als 30 Minuten, wie z. B. ein Braten, so kann es indirekt gekocht werden (Braten neben den gezündeten Brenner stellen). Vor dem Grillen von magerem Fleisch wie Hähnchenbrust oder mageres Schweinefleisch ist es am besten, die Roste vor dem Vorwärmen zu ölen, damit das Fleisch nicht anklebt. Beim Grillen von sehr fettem Fleisch kann es zum Aufflammen kommen. Um Aufflammen zu verhindern, können Sie Fett abschneiden oder mit niedrigerer Temperatur grillen. Wenn es zum Aufflammen kommt, legen Sie das Fleisch von der Flamme weg zur Seite und stellen die Temperatur herunter. Lassen Sie die Haube offen. Eine detaillierte Anleitung finden Sie in Napoleons Grill-Kochbuch.

Direktes Garen: Grillgut direkt über der Wärmequelle auf den Grill legen. Diese Methode wird üblicherweise zum Braten von Speisen verwendet, die keine langen Kochzeiten erfordern - Hamburger, Steaks, Geflügelstücke, Gemüse usw. Das Grillgut wird zunächst scharf angebraten, um Säfte und Aromen im Grillgut „einzusiegeln“. Anschließend wird die Temperatur verringert, um das Gericht punktgenau fertig zu garen.

Indirektes Garen: Hierbei kann nur einer oder auch mehrere Brenner verwendet werden. Grillgut über einem nicht gezündeten Brenner auf den Grill legen. Die Wärme zirkuliert um das Grillgut und sorgt so für langsames und gleichmäßiges Garen. Diese Kochmethode ist vergleichbar mit dem Garen im Backofen und wird üblicherweise für größere Fleischstücke wie Braten, ganze Hähnchen oder Pute verwendet. Sie eignet sich aber auch für die Zubereitung von Grillgut, das leicht zum Aufflammen führen kann. Aufgrund der niedrigeren Temperaturen und längeren Kochzeiten ist dies die zuverlässigste Garmethode zum Grillen zarter und saftiger Fleischstücke..

Verwendung Des Rückseitigen Brenners: (Falls vorhanden) Warmhalterost vor dem Betrieb entfernen. Grillroste sollten ebenfalls entfernt werden, falls sie die Verwendung des Drehspießes behindern. Der rückseitige Brenner ist für den Einsatz mit dem Drehspieß-Set konzipiert, dass über Ihren Napoleon-Händler bezogen werden kann. Siehe Anweisungen für die Montage des Drehspieß-Sets. Zur Verwendung des Gegengewichts den Drehspießmotor vom Gasgrill entfernen. Den Spieß mit dem Grillgut in die beiden Einhängevorrichtungen an der Innenseite des Grills einlegen. Das Fleischstück wird naturgemäß mit der schwereren Seite nach unten hängen. Arm und Gewicht des Gegengewichts anziehen, bis der Arm nach oben zeigt. Das Gegengewicht nach innen oder außen verschieben, bis das Gewicht auf dem Spieß gleichmäßig verteilt ist und dann festdrehen. Den Motor wieder aufsetzen und mit dem Grillen beginnen. Einen Auffangbehälter unter dem Grillgut platzieren. Der aufgefangene Bratensaft kann zum Bepinseln des Fleisches oder zur Herstellung einer köstlichen Soße verwendet werden. Falls nötig, zusätzliche Flüssigkeit zum Übergießen oder Bepinseln zufügen. Rückseitigen Brenner zunächst auf hoher Flamme betreiben, bis das Fleisch angebräunt ist und dann die Flamme reduzieren, um das Fleisch fertig zu garen. Auf diese Art wird das Grillgut versiegelt und das Fleisch bleibt zart und saftig. Die Grillhaube stets geschlossen halten, um ein optimales Kochergebnis zu erzielen. Braten und Geflügel erhalten eine knusprigbraune Kruste und das Fleisch bleibt zart und saftig. Beispielsweise benötigt ein Brathuhn mit einem Gewicht von 1,5 kg mit dem Drehspieß ca. 1½ Stunden (bei mittlerer bis hoher Flamme). Weitere Anweisungen finden Sie im Napoleon-Grillkochbuch mit exklusiven Rezepten für alle Gelegenheiten.

DE



VORSICHT! Barbecuesoße und Salz kann korrosiv wirken und schnell zur Korrosion des Grills und einzelner Bauteile führen, wenn keine regelmäßige Reinigung durchgeführt wird.

Verwendung der Seitenbrennerflamme: Der Seitenbrenner kann wie ein normales Gaskochfeld verwendet werden und eignet sich zur Zubereitung von Soßen, Suppen usw. Der Gasgrill sollte so positioniert werden, dass der Seitenbrenner möglichst windgeschützt ist, da starke Winde die Leistung des Seitenbrenners beeinträchtigen können. Seitenbrenner **NICHT** zum Frittieren verwenden, da das Kochen mit Öl zu gefährlichen Bedingungen führen kann. Der empfohlene Durchmesser für Pfannen und Töpfe ist 60 bis 220 mm.



ACHTUNG! Niemals Speisen direkt auf den Seitenbrennerring auflegen und grillen. Er ist nur zur Verwendung mit Töpfen und Pfannen vorgesehen.



ACHTUNG! Seitenbrenner nicht schließen, solange der Grill in Betrieb oder noch heiß ist.
ACHTUNG! Seitenbrenner NICHT zum Frittieren verwenden, da das Kochen mit Öl zu gefährlichen Bedingungen führen kann.

Wartung, Pflege Und Reinigung

Es wird empfohlen, diesen Gasgrill einmal im Jahr von einer Fachkraft inspizieren und warten zu lassen.



VORSICHT! Beim reinigungsanleitung sollten Arbeitshandschuhe und eine Schutzbrille getragen werden.



VORSICHT! Zum Reinigen müssen die Brenner ausgeschaltet sein. Heiße Flächen nicht ungeschützt berühren. Grill an einen Ort stellen, wo das Reinigungsmittel keinen Schaden anrichten kann (nicht auf die Terrasse oder den Rasen). Kein Teil dieses Gasgrills darf mit Ofenreiniger gesäubert werden. Grillroste oder andere Teile des Gasgrills nicht in einem selbstreinigenden Ofen säubern. Gasgrill regelmäßig reinigen, da Barbecue-Sauce und Salz das Metall angreifen.



Hinweis: In chlorid- und sulfidhaltigen Umgebungen kann auch rostfreier Stahl oxidieren oder Flecken aufweisen. Dazu gehören insbesondere Küstenregionen und andere extreme Bedingungen, z. B. die nähere Umgebung von Pools und Whirlpools, die von hoher Wärme und Luftfeuchtigkeit gekennzeichnet ist. Diese Flecken werden manchmal mit Rost verwechselt, aber sie können einfach entfernt und vermieden werden. Reiben Sie alle rostfreien Stahlflächen alle 3 bis 4 Wochen mit Leitungswasser und einem Reinigungsmittel für rostfreien Stahl ab, um die Entstehung von Flecken zu verhindern.



VORSICHT! Gaszufuhr vor den Wartungsarbeiten abstellen und Gerät von der Gaszufuhr trennen. Grill vor dem Warten abkühlen lassen, damit es nicht zu Verbrennungen kommt. Jährlich und nach Auswechseln eines Gasbauteils eine Leckageprüfung durchführen.

Grill- und Warmhalteroste: Grillroste und Warmhalterost sind am leichtesten während der Vorwärmphase zu reinigen. Verwenden Sie eine Grillbürste mit Messingborsten. Zur Entfernung von hartnäckigen Flecken kann Stahlwolle verwendet werden. Aufgrund der hohen Temperaturen auf der Kochfläche kommt es bei regelmäßigem, normalem Gebrauch zu einer dauerhaften Verfärbung der Edelstahlroste (falls vorhanden).

Grillroste aus Gusseisen: Die Grillroste aus Gusseisen, mit denen Ihr neuer Grill standardmäßig ausgeliefert wird, gewährleisten überdurchschnittliche Speicherung und Verteilung von Wärme. Durch regelmäßige Pflege der Grillroste mit Öl bildet sich eine Schutzschicht, die den Grillrost besser vor Korrosion schützt und auch dessen Antihaft-Eigenschaften noch weiter verbessert.

Vor der ersten Verwendung: Die Grillroste per Hand mit einem milden Spülmittel und Wasser reinigen, um jegliche herstellungsbedingte Rückstände zu entfernen. (Niemals in die Spülmaschine!) Sorgfältig mit heißem Wasser abspülen und mit einem weichen Tuch vollständig abtrocknen. Dies ist wichtig, um das Eindringen von Feuchtigkeit in das Gusseisen zu verhindern.

Einbrennen: Verwenden Sie ein weiches Tuch, um die gesamte Fläche des Grillrostes mit Pflanzenfett einzureiben. Stellen Sie sicher, dass auch alle Aussparungen und Ecken mit einer Ölschicht bedeckt sind. Verwenden Sie keine salzhaltigen Fette, wie beispielsweise Butter oder Margarine. Heizen Sie den Grill 15 Minuten vor, und platzieren Sie dann die mit Öl eingeriebenen Grillroste auf dem Grillgerät. Schließen Sie die Grillhaube, und drehen Sie das Bedienelement auf mittlere Stufe. Lassen Sie die Grillroste für ca. eine halbe Stunde bei dieser Temperatur auf dem Grill „einbrennen“. Stellen Sie dann alle Brenner auf „OFF“ (Aus), und stellen Sie die Gaszufuhr ab. Lassen Sie die Grillroste auf dem Grillgerät vollständig abkühlen. Während der Grillsaison sollte dieser Vorgang mehrere Male wiederholt werden, um die Grillroste gut einzubrennen. Es ist jedoch nicht nötig, diesen Vorgang bei jedem Gebrauch zu wiederholen (Tipps zur täglichen Pflege vor dem Grillen finden Sie untenstehend).

Vor dem Grillen: Reiben Sie die Oberfläche des Grillrostes vor dem Vorwärmen und Reinigen mit einer Messing-Grillbürste vollständig mit Pflanzenfett ein. Den Grill vorwärmen und alle Grillrückstände mit der Grillbürste (Messingborsten) entfernen.

Grillroste aus Edelstahl: (Upgrade-Kit zur Nachrüstung erhältlich – siehe Ersatzteilliste). Grillroste aus Edelstahl sind von großer Lebensdauer und rostbeständig. Sie erfordern weniger Vorbehandlung und Pflege als Grillroste aus Gusseisen. Sie sollten die obenstehenden Hinweisen zur täglichen Pflege befolgen, obwohl es u. U. ausreichend sein kann, die Grillroste nur vorzuwärmen und mit einer Drahtbürste zu reinigen.

Bedienleiste: Die Bedienleistenbeschriftung wird direkt auf die Edelstahloberfläche gedruckt und bei sachgerechter Pflege bleibt der Aufdruck dunkel und lesbar. Zur Reinigung der Bedienleiste warme Seifenlauge oder Continental-Edelstahlreiniger verwenden. Continental-Edelstahlreiniger ist bei Ihrem Napoleon-Händler erhältlich. Keine scheuernden Reinigungsmittel zur Reinigung von Edelstahlf lächen verwenden. Dies kann vor allem auf der Bedienleiste zum Abrieb der aufgedruckten Beschriftung führen.

Das Innere Des Gasgrills: Grillroste entfernen. Gusseiserne Seiten und die Innenseite der Haube mit einer weichen Messingdrahtbürste von losem Schmutz befreien. Anbratplatten mit einem Spachtel oder Schaber abkratzen, und die Asche mit einer Drahtbürste beseitigen. Anbratplatten abnehmen, und die Brenner mit einer Messingdrahtbürste reinigen. Den Schmutz aus dem Inneren des Gasgrills in die Tropfpfanne fegen. Anbratplatten wieder einsetzen und auf richtige Positionierung achten (siehe Zusammenbauanleitung).

Lampen: Führen Sie die Spitze eines Schlitzschraubendrehers zwischen Leuchte und Fassung und bewegen Sie diese leicht hin und her, um die Leuchte aus der Halterung zu entnehmen. Das Glas der Halogenlampe nicht berühren! Durch Fingerabdrücke können Öle auf der Glasfläche zurückbleiben und die Lebensdauer der Lampe beeinträchtigen. Tauchen Sie das Glas kurz in eine heiße Seifenlauge und reinigen Sie die Leuchte dann mit einem Tuch und nicht scheuerndem Reinigungsmittel. Setzen Sie die Leuchte wieder in die Fassung ein. Die Leuchte sollte einschnappen.

Tropfpfanne : zum Reinigen herausziehen. Sie sollte nach vier- bis fünfmaligem Benutzen des Grills ausgeleert werden. Das Fett läuft durch die unter dem Gasgrill befindliche Tropfpfanne und sammelt sich in einer Einweg-Fettschale unterhalb der Tropfpfanne. Eine zu große Ansammlung von Fett stellt eine Feuergefahr dar. Tropfpfanne nicht mit Alufolie oder Sand auskleiden, da das Fett am Durchfließen gehindert wird. Pfanne mit einem Spachtel oder Schaber auskratzen; Inhalt in die Einweg-Fettschale fegen. Schale je nach Häufigkeit der Benutzung alle zwei bis vier Wochen auswechseln. Ersatzschalen gibt es beim Napoleon-Händler.

Reinigen Der Aussenseite Des Gasgrills: Lackierte, Porzellan- oder Rostfreistahlteile nicht mit Scheuermitteln säubern. Die Porzellanemalje ist besonders vorsichtig zu behandeln. Die Emaillbeschichtung ist wie Glas und platzt beim Anschlagen leicht ab. Emaill-Reparaturmaterial ist von Ihrem Napoleon-Händler erhältlich. Außenflächen am besten in handwarmem Zustand mit warmem Seifenwasser reinigen. Rostfreistahl mit einem entsprechenden Reinigungsmittel oder einem nicht scheuernden Reinigungsmittel säubern. Stets in Strukturrichtung wischen. Keine Stahlwolle verwenden, da sie Kratzspuren hinterlässt. Rostfreistahl verfärbt sich unter Hitze goldfarben oder braun. Diese Verfärbung ist normal und beeinträchtigt die Leistung des Grills nicht.



VORSICHT! Schlauch: auf Abrieb, Schmelzstellen, Einschnitte und Risse untersuchen. Wenn einer dieser Defekte vorliegt, darf der Gasgrill nicht benutzt werden. Schlauch von Ihrem Napoleon-Händler oder einem Fachbetrieb auswechseln lassen.

Brenner: sind aus dickwandigem Rostfreistahl 304 hergestellt. Wegen der extremen Hitze und der Umwelteinflüsse treten trotzdem Korrosionen auf. Korrosion der Oberflächen mit einer Messingdrahtbürste entfernen. Verstopfte Auslässe mit einer geöffneten Heftklammer freimachen. Auslässe dabei nicht vergrößern.

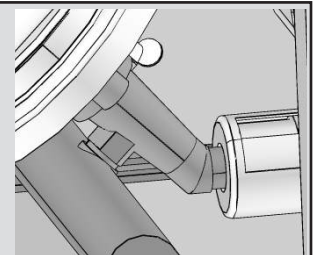


VORSICHT! Passen Sie Von Den Spinnen Auf

Spinnen und Insekten werden von Propan- und Erdgasgeruch angezogen. Damit sie im Brenner keine Nester bauen, ist der Lufterlass mit einem Insektengitter versperrt, womit das Problem jedoch nicht 100%ig gelöst ist. Ein Spinnennetz oder Nest verbrennt mit einer weichgelben oder orangefarbenen Flamme, oder es kommt zu einem Feuer (Flammenrückschlag) an der Luftzufuhr unter dem Bedienbrett. Damit das Innere eines Brenners gereinigt werden kann, muss er aus dem Gasgrill ausgebaut werden. Schraube in der Mitte des Brenners lösen. Brenner am hinteren Teil nach oben und herausheben. Innere des Brenners mit einer flexiblen Spezialbürste zum Reinigen von Venturirohren säubern. Den gelösten Schmutz durch den Gaseinlass aus dem Brenner schütteln. Das Insektengitter muss sauber, dicht und frei von Fusseln und sonstigem Schmutz sein. Auch die Ventildüsen müssen sauber sein. Es ist darauf zu achten, dass die Düsen beim Reinigen nicht vergrößert werden. Brenner wieder einbauen. Beim Einbau muss die Düse in den Brenner geführt werden. Brennerabdeckung aufsetzen und Befestigungsschrauben festschrauben.



WARNUNG! Bei der erneuten Installation des gereinigten Brenners unbedingt sicherstellen, dass das Ventil/die Öffnung in das Brennerrohr führt, bevor der Gasgrill angezündet wird. Wenn das Ventil sich nicht innerhalb des Brennerrohrs befindet, kann es zu Brand oder Explosion kommen.



Alugussteile: regelmäßig mit warmem Seifenwasser säubern. Normalerweise rostet Aluminium nicht. Durch die hohen Temperaturen und die Umwelteinflüsse kann es jedoch zu einem Oxidieren der Oberfläche kommen. Dies äußert sich als weiße Flecke auf dem Guss. Gussteile säubern und mit feinem Sandpapier abschmiegeln. Schmiegelstaub abwischen, und Gussteile mit temperaturbeständiger Grillfarbe lackieren. Benachbarte Teile abdecken, damit sie nicht mit Farbe besprüht werden. Gemäß Anweisung auf der Farbdose trocknen lassen.

Troubleshooting

Problem	Mögliche Ursache	Lösung
Bei höchster Brennerstufe zu niedrige Hitze und Flamme.	Bei Propangas – die Anweisungen für das Anzünden wurden nicht befolgt. Bei Erdgas – Leitung für die Gaszufuhr zu klein. Bei beiden Gasarten – ungenügendes Vorheizen.	Die Anweisungen für das Anzünden genau befolgen. Alle Gasgrillventile müssen sich in der Stellung „OFF“ (Aus) befinden, wenn das Ventil für die Gaszufuhr geöffnet wird. Die Gaszufuhr langsam öffnen, um Druckausgleich zu ermöglichen. Siehe Anweisungen für das Anzünden. Rohrgröße muss den Installationsvorschriften entsprechen. Beide Hauptbrenner einschalten und Grill auf hoher Stufe 10-15 Minuten vorheizen.
Starkes Aufflammen, ungleichmäßige Hitze.	Falsches Vorwärmen. Zu viel Fett und Asche auf den Anbratplatten und in der Tropfwanne.	Grill mit beiden Hauptbrennern auf höchster Stufe 10-15 Minuten lang vorwärmen. Anbratplatten und Tropfwanne regelmäßig reinigen. Tropfwanne nicht mit Alufolie auslegen. Siehe Reinigungsanleitung.
Brennerflamme gelblich, und es riecht nach Gas.	Spinnenweben oder anderweitige Verschmutzung.	Brenner herausnehmen und gründlich reinigen. Siehe allgemeine Wartungsanleitung.
Regler gibt ein brummendes Geräusch ab.	Ist an heißen Tagen normal.	Dies ist kein Defekt. Es wird durch Vibrationen im Regler erzeugt und beeinträchtigt die Leistung und Sicherheit des Grills nicht. Brummende Regler werden nicht ersetzt.
Flamme springt nicht auf andere Brenner über.	Löcher auf der Brennerrückseite verstopft.	Gasaustrittslöcher säubern. Siehe Wartungsanleitung, Abschnitt Brenner.
Auf der Innenseite des Deckels oder der Haube scheint die „Farbe“ abzublättern.	Auf der Innenseite hat sich Fett abgesetzt.	Dies ist kein Defekt. Die Innenseite des Deckels oder der Haube besteht aus einer Porzellanbeschichtung, die nicht abblättern kann. Was abblättert, ist hart getrocknetes Fett. Regelmäßiges Reinigen verhindert dies. Siehe Reinigungsanleitung.

BEWAHREN SIE IHRE QUITTING ALS KAUFNACHWEIS AUF, UM IHREN GARANTIEANSPRUCH ZU VALIDIEREN.

BESTELLUNG VON ERSATZTEILEN

GARANTIE-INFORMATIONEN

MODELL: _____

KAUFDATUM: _____

SERIENNUMMER: _____

DE

(Alle für einen Garantieanspruch benötigten Informationen hier aufzeichnen)

Bevor Sie sich mit dem Kundendienst in Verbindung setzen, besuchen Sie bitte die NAC-Website unter www.napoleongrills.com, um ausführlichere Informationen zu Reinigung, Wartung und Pflege, Fehlerbehebung und Ersatzteile zu erhalten. Setzen Sie sich direkt mit dem Werk in Verbindung, um Ersatzteile zu bestellen und Garantieansprüche geltend zu machen. Unser Kundendienst ist zwischen 9 und 15 Uhr Eastern Standard Time erreichbar. Telefonnummer: +1-866-820-8686, Faxnummer: +1-705-727-4282. Zur Bearbeitung eines Garantieanspruchs bitte die folgenden Informationen bereithalten:

1. Modell- und Seriennummer des Geräts
2. Teilenummer und –beschreibung
3. Vollständige Beschreibung des Problems („kaputt“ ist nicht ausreichend)
4. Kaufnachweis (Fotokopie der Rechnung)

In manchen Fällen kann der Kundendienstbeauftragte u. U. die Einsendung der Teile zur Überprüfung im Werk verlangen, bevor Ersatzteile ausgeliefert werden. Die Teile müssen unter Vorauszahlung aller Transportkosten und Angabe der folgenden Informationen an den Kundendienst versandt werden:

1. Modell- und Seriennummer des Geräts
2. Vollständige Beschreibung des Problems („kaputt“ ist nicht ausreichend)
3. Kaufnachweis (Fotokopie der Rechnung)
4. Autorisierungscode für die Rücksendung. Diese erhalten Sie vom Kundendienstmitarbeiter.

Beachten Sie, dass die folgenden Teile nicht unter die Garantie fallen, bevor Sie den Kundendienst kontaktieren:

- Transportkosten, Courtage oder Exportzölle
- Arbeitskosten für Aus- und Einbau
- Telefonkosten für Anrufe zur Diagnose eines Problems
- Verfärbungen von Edelstahlteilen
- Teileversagen aufgrund von mangelnder Reinigung und Pflege, oder Verwendung von falschen Reinigungsmitteln (Ofenreiniger)



ACHTUNG! Wir empfehlen beim Entpacken des Geräts und bei der Montage Arbeitshandschuhe und eine Schutzbrille zu tragen. Wir unternehmen alle Anstrengungen, den Montageprozess so problemlos und sicher wie möglich zu machen, doch bearbeitete Stahlteile haben üblicherweise scharfe Kanten und Ecken, die zu Schnittverletzungen führen können, wenn sie während der Montage unsachgemäß gehandhabt werden.

Erste Schritte

1. Alle Paneele für den Wagen, Hardware und Grilleinsatz aus dem Karton entnehmen. Haube öffnen und alle darin verpackten Komponenten entnehmen. Anhand der Stückliste sicherstellen, dass alle nötigen Teile vorhanden sind.
2. Zerstören Sie die Verpackung nicht, bevor der Grill vollständig montiert ist und zu Ihrer Zufriedenheit funktioniert.
3. Den Grill an der Stelle montieren, wo er verwendet werden soll. Legen Sie Pappe oder ein Handtuch zurecht, um während der Montage keine Teile zu verlegen oder zu beschädigen.
4. Die meisten Edelstahlteile sind ab Werk mit einem schützenden Plastikfilm versehen, der vor Montage des Grills abgezogen werden muss.
5. Folgen Sie allen Anweisungen in diesem Handbuch in der angegebenen Reihenfolge.
6. Zwei Personen sind erforderlich, um den Grillaufsatz auf den montierten Wagen zu setzen.

Bei Fragen zur Montage oder zum Betrieb des Grills, oder bei beschädigten oder fehlenden Teilen, wenden Sie sich an unseren Kundendienst unter +1-866-820-8686 zwischen 9 Uhr und 15 Uhr Eastern Standard Time.

Erforderliche Werkzeuge für die Montage (Werkzeuge nicht enthalten)

3/8" and 5/8"
Schraubenschlüssel
oder Ring-Maulschlüssel



Kreuzschlitzschraubendreher



Zangen



Hamer





FAXNR.: 705 727 4282

BESTELLFORMULAR FÜR ZUBEHÖR UND ERSATZTEILE

BITTE IN DRUCKSCHRIFT AUSFÜLLEN

ANSPRECHPARTNER: _____

LIEFERANSCHRIFT : _____

TELEFON : _____ FAX : _____

EMAIL: _____

KREDITKARTENNR. (VISA, MASTERCARD) : _____ GÜLTIG BIS: _____

UNTERSCHRIFT: _____

ANZAHL	TEILENUMMER	BESCHREIBUNG

ARTIKEL KÖNNEN U. U. STEUERPFLLICHIG SEIN
TRANSPORTKOSTEN NICHT ENTHALTEN

FALLS SIE EINE BESTÄTIGUNG WÜNSCHEN,BITTE FAXNUMMER ODER E-MAIL-ADRESSE ANGEBEN

DE

Deze gasbarbecue mag alleen buiten op een goed verluchte plek worden gebruikt. Gebruik hem nooit in een gebouw, garage of een andere gesloten ruimte.



495, 495SB

NL



GEVAAR

INDIEN U GAS RUKT:

- Sluit de gastoevoer naar het apparaat af.
- Doof open vlammen.
- Open het deksel.
- Blijf uit de buurt van het apparaat indien u gas blijft ruiken en neem onmiddellijk contact op met het gasbedrijf of de brandweer.



WAARSCHUWING

Steek dit apparaat niet aan voordat u de instructies van het hoofdstuk AANSTEKEN in deze handleiding hebt gelezen.

Sla geen benzine of andere ontvlambare vloeistoffen of dampen op of gebruik deze niet in de buurt van dit of enig ander apparaat. Een niet-gebruikte, losgekoppelde gasfles mag niet in de buurt van dit of enig ander apparaat worden opgeslagen. Indien deze aanwijzingen niet precies worden opgevolgd, kan dat brand- of explosiegevaar meebrengen en materiële schade, persoonlijk letsel of de dood veroorzaken.

Bewaar Deze Handleiding Voor Referentie



0359-12

Napoleon Appliance Corp.,
214 Bayview Dr., Barrie, Ontario, Canada L4N 4Y8 Phone: 1-866-820-8686
Fax: (705)725-2564 email: wecare@napoleonproducts.com web site: www.napoleongrills.com

HARTELIJK DANK VOOR HET KIEZEN VAN NAPOLEON

NAPOLEON-producten zijn gemaakt van onderdelen en materialen van superieure kwaliteit en zijn gemonteerd door bekwame vakmensen die trots zijn op hun werk. De brander en de ventielen zijn getest op lekkage en de kwaliteit van de werking van het geheel is uitgetest in een teststation. Deze grill is grondig geïnspecteerd door een erkende technicus voordat het werd ingepakt en verscheept om u, de klant, ervan te verzekeren dat u het kwaliteitsproduct ontvangt zoals u die verwacht van NAPOLEON.

Bij Napoleon stellen wij ons in dienst van u, "onze gewaardeerde klant". Het is ons doel om u te voorzien van de noodzakelijke hulpmiddelen voor een onvergetelijke grill-ervaring. Deze handleiding helpt u om ervoor te zorgen dat uw nieuwe grill op de juiste manier wordt gemonteerd, geïnstalleerd, onderhouden en verzorgd. Het is belangrijk om deze hele handleiding te lezen en te begrijpen voordat u aan de slag gaat met uw nieuwe grill om er zeker van te zijn dat u alle veiligheidsmaatregelen en functies begrijpt die uw grill te bieden heeft. Door het zorgvuldig volgen van de instructies in deze handleiding zult u nog jaren zorgeloos kunnen genieten van het grillen. Als wij om welke reden dan ook niet voldoen aan uw verwachtingen, belt u dan gerust naar onze klantenservice op 1-866-820-8686 tussen 9 AM en 5 PM (Eastern Standard time) of bezoek onze website.

Beperkte Garantie Napoleon Gasgrill

NAPOLEON garandeert de volgende materialen en afwerking van uw nieuwe NAPOLEON gas grill tegen defecten voor 10 jaar. Deze dekt aluminium gietstukken (behalve verf), roestvrij stalen bedieningspaneel (met uitzondering van zeefdruk) en roestvrij stalen branders, mits aan de volgende voorwaarden is voldaan: Gedurende de eerste 5 jaar zal NAPOLEON vervangende onderdelen van onze keuze gratis verstrekken. Vanaf het zesde jaar tot het tiende jaar, zal NAPOLEON vervangende onderdelen op 50% van de huidige verkoopprijs verstrekken.

Roestvrij stalen of porseleinen deksel en het inzetstuk voor de onderkant en de handgrepen van de deksel zijn gedekt tegen gebreken gedurende 5 jaar, afhankelijk van de volgende voorwaarden: Tijdens de eerste 3 jaar zal NAPOLEON vervangende onderdelen naar onze keuze gratis verstrekken. Voor het vierde en vijfde jaar, zal NAPOLEON vervangende onderdelen op 50% van de huidige verkoopprijs verstrekken.

Alle andere onderdelen van roestvrij staal of porseleinen schroeiplates, roestvrij stalen of gietijzeren grillroosters, kleppen, ontstekingsstelsel, temperatuurmeters, knoppen, regelaars, wielen, warmhoudrekken, slangen en aansluitingen, bevestigingsmiddelen en accessoires vallen onder de garantie en Napoleon zal onderdelen gratis tijdens het eerste jaar van de beperkte garantie verstrekken.

NAPOLEON niet aansprakelijk worden gesteld voor eventuele transportkosten, loonkosten of grensbelasting.

Voorwaarden en beperkingen

"NAPOLEON garandeert haar producten tegen fabrieksfouten alleen tegenover de oorspronkelijke koper, mits zij werden aangeschaft via een erkende NAPOLEON-handelaar.

De aanschaf moet voldoen aan de volgende voorwaarden en beperkingen: "Deze fabrieksgarantie is niet overdraagbaar en mag op geen enkele manier door onze vertegenwoordigers worden verlengd. De gasbarbecue moet door een gemachtigde, erkende onderhoudstechnicus of aannemer worden geïnstalleerd.

De installatie moet worden uitgevoerd in overeenstemming met de met het product meegeleverde installatie-instructies en met alle lokale en nationale bouw- en brandreglementen.

Deze beperkte garantie dekt geen schade ten gevolge van verkeerd gebruik, gebrekkig onderhoud, vetbrand, een vijandige omgeving, een ongeval, wijzigingen, misbruik of verwaarlozing, en het installeren van onderdelen van andere fabrikanten maakt deze garantie ongeldig.

Deze beperkte garantie dekt bovendien geen krassen, deuken, verf, roest of verkleuring door hitte, schurende en chemische schoonmaakmiddelen, en dekt ook niet het afbladderen van geëmailleerde onderdelen of tijdens de installatie van de gasbarbecue gebruikte onderdelen.

Worden de onderdelen zoveel slechter dat ze tijdens de duur van de beperkte garantie niet meer werken, dan zal een vervangend onderdeel worden geleverd.

Alleen tijdens het eerste jaar omvat deze garantie de vervanging van gegarandeerde defecte onderdelen met materiaal- of constructiefouten mits het product werd bediend in overeenstemming met de bedieningsinstructies en onder normale omstandigheden.

Na het eerste jaar kan NAPOLEON met betrekking tot deze beperkte levenslange garantie van de president beslissen alle verplichtingen af te wijzen aangaande deze garantie door aan de oorspronkelijke door deze garantie gedekte koper de groothandelsprijs van de door de garantie gedekte maar defecte onderdelen terug te betalen.

NAPOLEON is niet verantwoordelijk voor de installatie-, loon- of alle andere (on)kosten betreffende het opnieuw installeren van een door de garantie gedekt onderdeel en deze onkosten worden niet door deze garantie gedekt.

In afwijking van de bepalingen van deze beperkte levenslange garantie van de president, wordt de verantwoordelijkheid van NAPOLEON volgens deze garantie gedefinieerd als hierboven en wordt zij in geen geval uitgebreid tot enige incidentele, gevolg- of indirecte schade.

Deze garantie bakent de verplichtingen en de aansprakelijkheid van NAPOLEON af met betrekking tot NAPOLEON-gasbarbecues en enige andere expliciete of impliciete garantie aangaande dit product, zijn onderdelen of accessoires is uitgesloten.

NAPOLEON aanvaardt geen andere aansprakelijkheid met betrekking tot de verkoop van dit product en geeft ook geen derde de toestemming om dergelijke aansprakelijkheid voor haar te aanvaarden. NAPOLEON is niet verantwoordelijk voor: overgloeien, uitwaaien ten gevolge van weersomstandigheden zoals sterke wind, of onvoldoende verluchting. Beschadiging van de gasbarbecue ten gevolge van het weer, hagel, ruwe behandeling, of schadelijke chemicaliën of reinigingsmiddelen kan niet ten laste van NAPOLEON worden gelegd.

Bij het indienen van een claim bij NAPOLEON zijn de verkoopovereenkomst of een kopie ervan en het serie- en modelnummer vereist.

NAPOLEON behoudt het recht het betreffende product of onderdeel door haar vertegenwoordiger te laten controleren voordat een claim wordt gehonoreerd.

NAPOLEON is niet verantwoordelijk voor transportkosten, loonkosten of uitvoerbelastingen.



WAARSCHUWING! Indien deze aanwijzingen niet precies worden opgevolgd, kan dat brand- of explosiegevaar meebrengen en materiële schade, persoonlijk letsel of de dood veroorzaken.

Veiligheidspraktijken

- Deze gasgrill dient exact volgens de instructies in de gebruiksaanwijzing in elkaar te worden gezet. Indien de grill in de winkel in elkaar is gezet, dient u de montagevoorschriften door te nemen om vast te stellen dat de grill correct in elkaar is gezet, en u dient de verplichte lektests uit te voeren voordat u de grill gebruikt.
- Lees voor gebruik van de grill de hele instructiehandleiding.
- Deze gasgrill dient onder geen enkele voorwaarde te worden gemodificeerd.
- Volg tijdens gebruik van de grill de aansteekinstructies.
- Gastoevoer moet zijn dichtgedraaid bij de propaanfles de grill niet gebruikt wordt.
- Houd kinderen en huisdieren op afstand van de hete grill. LAAT kinderen NIET in de behuizing van de grill klimmen.
- Laat de grill tijdens gebruik niet onbeheerd achter.
- Kinderen dienen in de gaten gehouden te worden om ervoor te zorgen dat ze niet met het apparaat spelen.
- Dit apparaat is niet bedoeld voor gebruik door personen (inclusief kinderen) met verminderde lichamelijke, zintuiglijke of mentale vermogens, of mensen met gebrek aan ervaring and kennis, tenzij ze onder toezicht staan van-, of na instructie betreffende het gebruik van het apparaat door de persoon die verantwoordelijk is voor hun veiligheid.
- Verplaats de grill niet als die heet of in gebruik is.
- Deze gasgrill moet niet worden geïnstalleerd in of op recreatieve voertuigen en/of boten.
- Deze grill is alleen bestemd voor huishoudelijk gebruik.
- Deze gasgrill moet uitsluitend worden opgeborgen in een goedgeventileerde omgeving en moet niet in een gebouw, garage of welke afgesloten omgeving dan ook worden gebruikt.
- Houd voldoende afstand tot brandbare materialen (410mm aan de achterkant van de grill 180mm aan beide zijanten). In de buurt van vinyl of grote raampartijen wordt een extra afstand (610mm) aanbevolen.
- Houd de ventilatieopeningen van de flesruimte te allen tijde vrij en schoon.
- Plaats de grill niet onder een onbeschermde brandbare constructie.
- Niet plaatsen op winderige locaties. Sterke wind beïnvloedt de kookprestaties van de gasgrill negatief.
- Als de gasgrill binnenshuis wordt opgeborgen, dient de propaanfles van de grill te worden ontkoppeld en buitenshuis worden opgeborgen in een goed geventileerde omgeving. Afgekoppelde flessen mogen niet worden opgeborgen in een gebouw, garage of andere afgesloten omgeving.
- Inspecteer de gasslang voor ieder gebruik. Als er sprake is van excessieve beschadiging of slijtage, dient het te worden vervangen voordat de grill gebruikt wordt, voor een vervangende slang volgens opgave van de fabrikant.
- Bewaar nooit een extra LP gasfles onder of in de buurt van deze grill.
- Vul de cilinder nooit meer dan 80%.
- Gebruik geen cilinder die niet voorzien is van een QCC1 type verbinding.
- Controleer voor eerste gebruik alle koppelingen op lekkage, zelfs als de grill volledig gemonteerd was aangeschaft, jaarlijks of iedere keer wanneer een gascomponent is vervangen.
- Gebruik nooit aardgas in een unit dat ontworpen is voor vloeibaar propaangas.
- Gebruik nooit ontstekingsvloeistof in een gasgrill.
- Gebruik uitsluitend houtbriketten met een Napoleon houtskoolrek dat ontworpen is voor deze unit.
- Brandregelaars moeten uit staan wanneer de voorraadfles wordt opengedraaid.
- Brand geen brander met gesloten kap.
- Bedien geen achterbrander tijdens een brandende hoofdbrander.
- Houd de kap gesloten tijdens het voorverwarmen.
- Voer de slang niet onder de afdruipbak langs – de juiste afstand tot de onderkant van de unit moet in acht worden genomen.
- Reinig de vetbak en schroeiplates regelmatig om het aanzetten van vet, dat tot vetbranden kan leiden, te voorkomen.
- Verwijder de warmhoudplaat voor het aansteken van de achterste brander. De extreme hitte zal het warmhoudrek beschadigen.
- Zorg ervoor dat de schroeiplates worden geplaatst volgens de installatie-instructies.
- Gebruik de zijplanken niet om een aansteker, lucifers of ander brandbaar materiaal op te plaatsen.
- Houd de gasaansluiting op afstand van hete oppervlakken.
- Houd elektriciteitskabels op afstand van water of hete oppervlakken.
- Controleer de venturibuis van de infrarode brander regelmatig op spinnenwebben en andere obstructies. Reinig de buizen volledig als u dergelijke obstructies aantreft.
- De gasgrill voor de buitenkeuken en het afzonderlijke afsluitventiel dienen te worden ontkoppeld van het gastoevoersysteem gedurende druktests van dat systeem bij testdruk hoger dan 0.5psi (3.5kPa).
- De gasgrill voor de buitenkeuken moet geïsoleerd worden van het gastoevoersysteem door het afzonderlijke handmatige afsluitventiel te sluiten gedurende druktesten van het gastoevoersysteem bij testdruk hoger dan 1/2 psi (3.5.kPa).

Correcte verwijdering van dit product



Deze aanduiding geeft aan dat dit product in de gehele EU niet bij het overige huishoudelijke afval mag worden gezet. Recycle het verantwoord ter bevordering van duurzaam hergebruik van grondstoffen en ter voorkoming van mogelijke schade aan het milieu en de volksgezondheid t.g.v. ongecontroleerde dumping. Gebruik a.u.b. het teruggave- en verzamelstelsel, of neem contact op met de winkel waar u het product heeft gekocht. Daar kan men dit product op een milieuvriendelijke manier recyclen.

Gasfles

Gebruik uitsluitend goedgekeurde gasflessen. Een gasfles voor op butaan werkende apparaten moet minimaal 13 kg wegen; voor op propaan werkende barbecues bedraagt het minimumgewicht 6 kg. Zorg ervoor dat de fles voldoende gas bevat voor een goede werking van het apparaat. Neem in geval van twijfel contact op met het lokale gasbedrijf.

- Draai altijd voorzichtig aan de gastoevoerkraan.
- Sluit nooit een niet-goedgekeurde gasfles aan op het apparaat.

Alle flessen van minimaal 7 kg moeten op een vlakke ondergrond buiten de omkasting (onder het rechterzijrek) worden geplaatst. Flessen van minder dan 7 kg (maximum grootte 465mm hoog door brede 306mm) mogen binnen de omkasting, in het gat van het onderste rek, worden geplaatst. Alleen op het apparaat aangesloten flessen mogen in de omkasting of naast de barbecue worden bewaard. Reserveflessen mogen niet in de buurt van een werkend apparaat worden opgeslagen. Gasflessen mogen niet worden blootgesteld aan overmatige hitte of direct zonlicht.



WAARSCHUWING! Zorg ervoor dat de gas slang zo loopt dat er voldoende afstand blijft tegenover de onderkant van het apparaat. Slangen die in contact komen met hete oppervlakken kunnen smelten of lekken, en zo een brand veroorzaken.

Aansluiting Van De Gasfles: Zorg ervoor dat er geen kinken zijn in de slang van de gasregelaar. Verwijder de dop of plug van de gastoevoerkraan. Bevestig de regelaar aan de gastoevoerkraan. Test alle verbindingen op lekkage voordat u de barbecue gebruikt. De lekttest moet op de volgende momenten worden uitgevoerd: jaarlijks, telkens als een gasfles wordt aangesloten of wanneer een gasonderdeel werd vervangen.



WAARSCHUWING!

- Geleid de slang niet langs de onderkant van de afdruiptank.
- Geleid de slang niet tussen de ruimte van de onderste plank en het achterpaneel.
- Geleid de slang over de bovenkant van het achterpaneel.
- Zorg ervoor dat alle slangverbindingen goed vastzitten met behulp van twee slangklemmetjes. Gebruik geen teflon tape of lijm op de slangkoppelingen.
- Zorg ervoor dat de slang geen contact maakt met hete oppervlakken waardoor het zou kunnen smelten of lekken waardoor brand kan ontstaan.
- Gebruik het afgesloten gedeelte niet om overtollige slang in op te bergen, aangezien er een grotere kans bestaat op contact met een heet oppervlak, waardoor het kan smelten en lekken en brand kan veroorzaken.
- Controleer alle koppelingen op lekkage met behulp van water en zeep, zoals vermeld staat in de instructies in deze handleiding.

Gas slang

- Indien de slang en de regelaar niet door de fabrikant worden meegeleverd, dan mogen alleen goedgekeurde slangen en regelaars worden gebruikt.
- Sluit het apparaat niet aan op een permanente gasinstallatie.
- Zorg ervoor dat de slang niet in contact komt met vet, ander heet braadvet of hete oppervlakken van de barbecue.
- Controleer de slang regelmatig. Indien hij gescheurd, gesmolten of versleten is, moet hij worden vervangen voordat het apparaat opnieuw wordt gebruikt.
- De voor de slang aanbevolen lengte bedraagt 0,5 m. Hij mag niet langer dan 1,5 m zijn.
- Zorg ervoor dat er bij de installatie geen verdraaiing of kinken zijn in de slang.
- Vervang de slang vóór de vervaldatum die erop vermeld staat.

Regelaar

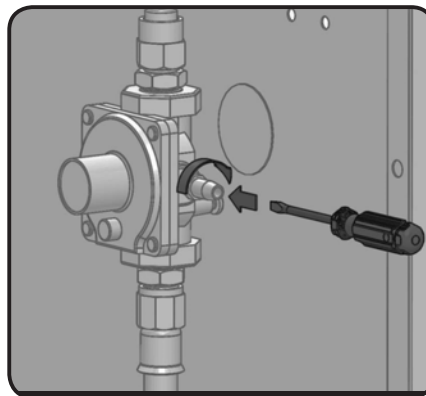
In de volgende tabel vindt u invoerwaarden voor het apparaat.

Brander	Openingsgrootte	(Bruto)Warmte-Invoer	Gasverbruik (Totaal)
Hoofbranders	1.07mm (#58)	16.0 kw	1160 g/hr
Zijbranders	0.82mm	2.4 kw	174 g/hr

Gecertificeerde gassen / drukwaarden – Controleer of de kenplaat overeenkomt met de volgende lijst.

Gassoort	'3B/P(30)	'3+(28-30/37)	'3B/P(37)	'3B/P(50)
Gassen / drukwaarden	Butaan 30mbar Propaan 30mbar	Butaan 28-30mbar Propaan 37mbar	Butaan 37mbar Propaan 37mbar	Butaan 50mbar Propaan 50mbar
Landen	BE, BG, CY, DK, EE, FI, FR, GB, HR, HU, IS, IT, LT, LU, MT, NL, NO, RO, SE, SI, SK, TR	BE, CH, CY, CZ, ES, FR, GB, GR, IE, IT, LT, LU, LV, PT, SK, SI	PL	AT, CH, DE, SK

Knoei niet met de regulator en breng geen veranderingen aan. Gebruik alleen regulators die druk leveren zoals aangegeven in de bovenstaande tabel. Een regulator van 28-30 mbar moet gebruikt worden voor butaan of een 37 mbar regulator voor propaan. The grill is uitgevoerd met een interne regulator. Deze interne regulator heeft een uitloopdruk van 24.5 mbar voor propaan/butaan en mag niet worden aangepast of bijgesteld. Vervang alleen met een door de fabrikant voorgeschreven regulator.



Dit apparaat heeft een interne regelgever die de gasdruk stabiliseert en de prestaties van de grill verbetert. Deze regelgever kan niet worden aangepast. Er is een drukkraan aan de zijkant van de regelgever. Het kan worden gebruikt door een gekwalificeerd dienstpersion bij onderhoud van de grill om te bepalen of de regelgever juist werkt. De schroef binnen de drukkraan moet altijd strak worden aangedraaid bij het uitvoeren van een druktest voor de regelgever (alleen door gekwalificeerd dienstpersioneel).

Instructies I.V.M. Lectest



WAARSCHUWING! Test het apparaat op lekkage vóór het eerste gebruik, jaarlijks en na vervanging of onderhoud van gasonderdelen.



WAARSCHUWING! Niet Op Lekkage Met Behulp Van Een Vuurtje. Rook niet tijdens deze test en verwijder alle ontstekingsbronnen.



LEKTEST: Test het apparaat op lekkage vóór het eerste gebruik, jaarlijks en na vervanging of onderhoud van gasonderdelen. Rook niet tijdens deze test en verwijder alle ontstekingsbronnen. Zie het schema in verband met lektests voor de te controleren gedeelten.



Schakel alle branderknoppen uit. Draai de gastoevoer kraan open.

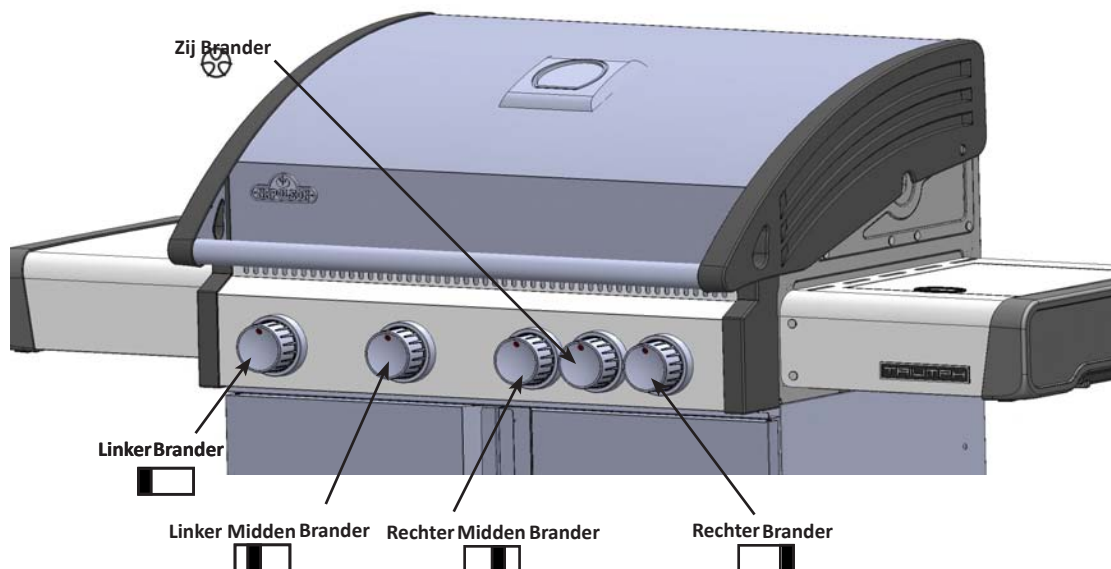
Breng met een borsteltje op alle verbindingen en aansluitingen van de regelaar, slang, verdeelstukken en kranen een oplossing van vloeibare zeep en water aan.




Luchtbellen wijzen op een gaslek. Draai het losse onderdeel vast of vervang het door een door de handelaar aanbevolen stuk.

Als het lek niet kan worden gedicht, sluit dan de gastoevoer af, koppel deze af en laat de barbecue controleren door het gasbedrijf of de handelaar. Gebruik het apparaat slechts nadat het lek werd gedicht.

Sluit de gastoevoer af.



WAARSCHUWING! Open het deksel Van Positie
WAARSCHUWING! Zorg ervoor dat de branderknoppen uit staan en draai dan de gastoevoerkraan open. 



NL

Ontsteking Hoofdbrander	Aansteken Achterbrander (Optioneel)	Aansteken Zijbrander (Optioneel)
1. Open het deksel	1. Open het deksel	1. Open deksel van de Zijbrander
2. Druk op de knop van de hoofdbrander en draai die langzaam naar de stand "hi". Deze actie zal de waakvlam ontsteken die op zijn beurt de geselecteerde hoofdbrander ontsteekt. Als de waakvlam brandt, ga dan verder met het naar beneden drukken van de regelknop totdat de brander brandt en laat dan los.	2. Verwijder het warmhoudrooster.	2. Druk de regelknop van de zijbrander in en draai die langzaam naar de stand "hi". Deze actie zal de zijbrander ontsteken.
3. Als de brander niet tot ontsteking komt, draai dan de regelknop onmiddellijk naar de stand "off" en herhaal stap 2 diverse keren.	3. Druk op de knop van de rotisseriebrander en draai die langzaam naar de stand "hi". Deze actie zal de waakvlam ontsteken die op zijn beurt de hoofdbrander ontsteekt. Als de waakvlam brandt, ga dan verder met het naar beneden drukken van de regelknop totdat de brander brandt en laat dan los.	3. Als de brander niet tot ontsteking komt, draai dan de regelknop onmiddellijk naar de stand "off" en herhaal stap 2 diverse keren.
4. Als de waakvlam en brander niet binnen 5 seconden tot ontsteking komen, draai dan de regelknop in de stand "off" en wacht 5 minuten totdat het vrijgekomen gas vervlogen is. Herhaal de stappen 2 en 3 of steek aan met een lucifer.	4. Als de brander niet tot ontsteking komt, draai dan de regelknop onmiddellijk naar de stand "off" en herhaal stap 2 diverse keren.	4. Als de brander niet binnen 5 seconden tot ontsteking komt, draai dan de regelknop in de stand "off" en wacht 5 minuten totdat het vrijgekomen gas vervlogen is. Herhaal de stappen 2 en 3 of steek aan met een lucifer.
5. Wanneer aangestoken met een lucifer, klem de lucifer in de meegeleverde luciferhouder. Houd de aangestoken lucifer naar beneden door de grill en schroei plaat waarbij de bijbehorende branderklap op "hi" wordt gezet.	5. Draai de branderknop dicht indien geen onmiddellijke ontsteking. Wacht vijf minuten. Herhaal de stappen 3 en 4 of steek aan met een lucifer.	



Bediening Van De Grill

Wanneer de gasbarbecue voor het eerst wordt aangestoken, zult u een geur ruiken. Dat is normaal en is maar heel tijdelijk. Het gaat om het “inbranden” van verf en smeermiddelen binnenin die werden gebruikt tijdens de productie. Dit gebeurt maar één keer. Laat de hoofdbranders ongeveer een half uur lang op de hoogste stand aan staan. Bij het bereiden van bijzonder mager vlees zoals kippenborsten of mager varkensvlees mogen de roosters vóór de voorverwarming eerst worden ingesmeerd met olie om te voorkomen dat het vlees blijft eraan kleven. Wanneer vlees met veel vet wordt klaargemaakt, kunnen vlammen opflakkeren. Snijd het vet weg of verlaag de temperatuur om opflakking te voorkomen. Gebeurt dit toch, plaats dan het voedsel weg van de vlammen en verminder de temperatuur. Laat het deksel open. Raadpleeg het door Napoleon gepubliceerde kookboek voor nadere gedetailleerde aanwijzingen.

Gebruik Van De Hoofdbranders: Bij het schroeien van voedsel is voorverwarming aanbevolen door alle hoofdbranders ca. 10 minuten lang in de hoge stand te plaatsen met het deksel gesloten. Voedsel dat niet lang hoeft te worden gekookt (vis, groenten), mag met het deksel open worden gebarbecued. Wanneer met het deksel gesloten wordt gekookt, krijgt u hogere, evenrediger verdeelde temperaturen die de kooktijd verminderen en het vlees gelijkmatiger bakken. Voedsel met een kooktijd van meer dan 30 minuten (bv. gebrad) kan indirect worden klaargemaakt (met de brander die tegenover het voedsel ligt). Bij het bereiden van bijzonder mager vlees zoals kippenborsten of mager varkensvlees mogen de roosters vóór de voorverwarming eerst worden ingesmeerd met olie om te voorkomen dat het vlees blijft eraan kleven. Wanneer vlees met veel vet wordt klaargemaakt, kunnen vlammen opflakkeren. Snijd het vet weg of verlaag de temperatuur om opflakking te voorkomen. Gebeurt dit toch, plaats dan het voedsel weg van de vlammen en verminder de temperatuur. Laat het deksel open. Raadpleeg het door Napoleon gepubliceerde kookboek voor nadere gedetailleerde aanwijzingen.

Direct Koken: Plaats het op de grill te bereiden eten direct op de hitte. Deze methode wordt over het algemeen gebruikt voor het dichtschroeien of voor eten dat geen lange bereidingstijd vereist – hamburgers, steaks, stukjes kip, groenten, enz. Het eten wordt eerst dichtgeschroeid om sappen en smaak vast te houden waarna de temperatuur wordt verlaagd om het bereiden af te maken naar uw voorkeur.

Indirect Koken: Plaats het op de grill te bereiden eten bij één of meerdere werkende branders op één van de branders die uit staat. De hitte circuleert rondom het eten, waardoor het langzaam en gelijkmatig wordt bereid. Deze bereidingswijze is vergelijkbaar met het bereiden in uw oven en wordt over het algemeen toegepast op grotere stukken vlees zoals braadvlees, kip of kalkoen, maar kan ook worden toegepast op eten dat baat heeft bij hogere vlammen. Deze bereidingswijze met lagere temperaturen en langere bereidingstijden resulteert in mals eten, iedere keer dat u grillt.

Gebruik Van De Achterste Brander: (Als uitgerust) *Verwijder vóór gebruik het warmhoudrek.* De grillroosters moeten eveneens worden verwijderd als daarmee het spit wordt gehinderd. De achterste brander is bedoeld voor gebruik met het meegeleverde spit. Zie de instructies i.v.m. het monteren van het spit. Verwijder voor het gebruiken van het tegengewicht de motor van het spit uit de barbecue. Plaats het spit met het klaar te maken vlees in de houders binnenin de barbecue. Het vlees gaat vanwege het gewicht met de zwaarste zijde naar beneden hangen. Span de tegengewichtarm en het gewicht aan zodat de arm naar boven wijst. Schuif het tegengewicht voor evenwicht naar binnen of naar buiten en zet het vast. Monteer de motor opnieuw op zijn plaats en begin te koken.

Plaats onderaan een bord om het vet op te vangen. U kunt dit over het vlees gieten of gebruiken als saus zonder dat u er iets hoeft aan toe te voegen. U kunt het eventueel aanlengen. Om het vlees lekker sappig te houden, gebruikt u eerst de achterste brander in de hoge stand totdat het bruin wordt. Verminder vervolgens de temperatuur en kook het voedsel gaar. Houd het deksel gesloten voor een beter resultaat. Gebrad en gevogelte worden perfect bruin aan de buitenkant en blijven sappig en mals binnenin. Kip aan het spit van ca. 1,5 kg bijvoorbeeld is in de middelste tot hoge stand gaar in ongeveer anderhalf uur. Raadpleeg het door Napoleon gepubliceerde kookboek voor nadere gedetailleerde aanwijzingen.



WAARSCHUWING! Barbecuesaus en zout kunnen corrosief zijn en tasten de onderdelen van de barbecue snel aan als deze niet regelmatig worden schoongemaakt.

Gebruik van zijbrander: (Als uitgerust) De zijbrander kan worden gebruikt zoals de branders bovenaan een fornuis, voor saus, soep etc. De gasbarbecue moet zodanig worden geplaatst dat de zijbrander uit de wind staat zodat hij optimaal werkt. De aanbevolen pandiameter bedraagt 60 tot 220 mm.



WAARSCHUWING! Grill nooit voedsel direct op het rooster van de zijbrander. Het is alleen bedoeld voor potten en pannen.



WAARSCHUWING! Doe het deksel van de zijbrander niet dicht tijdens gebruik of indien heet.
WAARSCHUWING! Gebruik de zijbrander niet voor het frituren omdat frituurvet tot een gevaarlijke situatie kan leiden.

Onderhoud / Reinigings Instructies

Wij raden aan deze gasbarbecue jaarlijks grondig te laten inspecteren en onderhouden door een bevoegd servicemonteur.



WAARSCHUWING! Monteren werkhandschoenen en een veiligheidsbril te dragen wanneer het schoonmaken.



WAARSCHUWING! Sluit de gastoevoer af aan de bron en schakel het apparaat uit voor iedere onderhoudsbeurt. Onderhoud mag alleen worden uitgevoerd wanneer de barbecue is afgekoeld, om mogelijke brandwonden te voorkomen. Barbecuesaus en zout kunnen corrosief zijn en tasten de onderdelen van de barbecue snel aan als deze niet regelmatig worden schoongemaakt.



Nota: roestvrijstaal heeft de neiging om te roesten in de aanwezigheid van chloriden en sulfiden, in het bijzonder in kustgebieden en andere ruwe gebieden zoals de warme, hoogvochtige atmosfeer rond zwembaden en bubbelbaden. Deze vlekken lijken op roest, maar kunnen makkelijk worden verwijderd en voorkomen. Om zeker te zijn van roestbestrijding, dient u alle roestvrijstalen oppervlakken elke 3-4 weken of zo vaak als nodig is met zoet water en roestvrijstaalreiniger te wassen.



WAARSCHUWING! Sluit de gastoevoer af aan de bron en schakel het apparaat uit voor iedere onderhoudsbeurt. Onderhoud mag alleen worden uitgevoerd wanneer de barbecue is afgekoeld, om mogelijke brandwonden te voorkomen. Een lektest moet jaarlijks en telkens als een gasonderdeel werd vervangen, worden uitgevoerd.

NL

Roosters en verwarmingsrooster: De roosters en het verwarmingsrooster kunnen het beste schoongemaakt worden met een koperen draadborstel tijdens het voorverwarmen. Stalen wol kan gebruikt worden voor lastige vlekken. Het is normaal dat de vlekkenloze roosters (als inbegrepen) permanent van kleur veranderen met regelmatig gebruik vanwege de hoge temperatuur van het kookoppervlak.

Gietijzeren bereidingsroosters: De gietijzeren bereidingsroosters van uw nieuwe barbecue houden de hitte goed vast en zorgen voor een zeer goede hitteverdeling. Door de roosters regelmatig met olie in te smeren kunt u een beschermlaag aanbrengen. Dit zal corrosie tegenwerken en de anti-aanbak capaciteit van de roosters verbeteren.

Voor eerste gebruik: Was de bereidingsroosters met de hand met zacht afwasmiddel en water om restanten van het productieproces te verwijderen (was nooit in de afwasmachine). Spoel goed af met warm water en droog goed met een zachte doek. Dit is belangrijk om te voorkomen dat vocht het gietijzer binnendringt.

Beschermen met olie: Met gebruik van een zachte doek, bedek het volledige roosteroppervlak met VEGETARISCHE OLIE inclusief alle groeven en hoeken. Gebruik geen gezouten vet zoals boter of margarine. Warm uw barbecue voor gedurende 15 minuten, plaats vervolgens de met olie besmeerde bereidingsroosters in de barbecue. Zet de controle knop van de brander op medium met de kap gesloten. Laat de bereidingsroosters gedurende anderhalf uur opwarmen. Zet alle branders op 'OFF' en sluit het gas af bij de bron. Laat de bereidingsroosters staan totdat ze afgekoeld zijn. Deze procedure moet verschillende keren herhaald worden gedurende het seizoen. Het is niet vereist voor dagelijks gebruik (zie de procedure voor dagelijks gebruik hieronder)

Dagelijks gebruik: voorafgaand aan het voorverwarmen en het schoonmaken met een koperen barbecue draadborstel, bedek de volledige oppervlakte van de bereidingsroosters met VEGETARISCHE OLIE. Warm de barbecue voor en borstel vervolgens elk ongewild restant weg met de koperen draadborstel.

Roestvrij stalen bereidingsroosters: (betere kit beschikbaar – zie de lijst met vervangingsonderdelen). Roestvrij stalen bereidingsroosters zijn duurzaam en bestendig tegen corrosie. Deze roosters vragen minder olie bescherming en onderhoud dan de gietijzeren bereidingsroosters. Het is aanbevolen dat u de procedure voor dagelijks gebruik volgt ondanks dat u het wellicht voldoende vindt om uw roosters voor te verwarmen en schoon te maken met een draadborstel voor uw barbecue behoeften.

Bedieningspaneel: De tekst van het bedieningspaneel is te vinden op het roestvrije staal. Met de juiste zorg zal het staal donker en leesbaar blijven. Om het paneel schoon te maken, gebruik uitsluitend warm zeepwater of de Continental roestvrije staal reiniger verkrijgbaar bij de Napoleon dealer. Gebruik geen schuurmiddelen op roestvrije oppervlaktes, vooral niet op het tekst gedeelte van het bedieningspaneel, omdat de tekst na verloop van tijd er door zal vervagen.

Reinigen Van De Binnenkant Van De Gasbarbecue: Verwijder de grillroosters. Verwijder met een zachte koperen borstel de losse resten van de gegoten binnenzijden en van de binnenkant van het deksel. Schuur de kookplaten af met een stopverfmes of een schraapmesje en verwijder de as met een metalen borstel. Verwijder de kookplaten en veeg de etensresten van de branders met een koperen borstel. Veeg alle zich in de barbecue bevindende resten in de afneembare lekbak. Plaats de kookplaten opnieuw op de juiste plaats (lees de montage-instructies voor de juiste oriëntatie).

Verlichting: verwijder het glas van de lichtbak door een platte schroevendraaier voorzichtig heen en weer te bewegen tussen het glas en de lichtbak. Raak de halogeen lamp niet aan. De levensduur van de lamp wordt korter door aanraking met de vingervetlaag. Maak het glas schoon door het onder te dompelen in heet zeepwater; maak het dan schoon met een doekje en niet-schurend schoonmaakmiddel. Plaats het glas terug door het simpelweg in de behuizing te klikken.

Lekbak: Schuif de lekbak uit om het schoonmaken te vergemakkelijken. De bak moet vaak worden gereinigd (om de 4 à 5 beurten) om vetophoping te voorkomen. Vet en ander overtollig braadvet komen in de lekbak onderaan de gasbarbecue terecht en worden eronder in het disposable vetkommetje opgevangen. Opgehoopt vet kan vuur vatten. Bekleed of vul de lekbak niet met aluminiumfolie of zand, omdat daarmee het vet niet ongehinderd kan weglekken. De bak moet worden schoongeschrapt met een stopverfmes of een schraapmesje en alle resten moeten in het disposable vetkommetje worden geveegd. Dit kommetje dient om de 2 à 4 weken te worden vervangen, afhankelijk van de gebruiksfrequentie. Neem voor benodigdheden contact op met uw handelaar van Napoleon-gasbarbecues.

Reinigen Van De Buitenkant Van De Gasbarbecue: Reinig geverfde, geëmailleerde of roestvrijstalen onderdelen niet met schurende schoonmaakmiddelen. Geëmailleerde onderdelen dienen extra voorzichtig te worden gehanteerd. De aangebakken geëmailleerde afwerking lijkt op glas en schilfert wanneer men erop slaat. Om het email te retoucheren kunt u contact opnemen met uw handelaar van Napoleon-gasbarbecues. De buitenkant van de barbecue moet met lauw zeepwater worden schoongemaakt wanneer hij nog warm aanvoelt. Reinig de roestvrijstalen oppervlakken met een schoonmaakmiddel voor roestvrij staal of met een niet-schurend product. Veeg altijd schoon met de draad mee. Staalwol maakt krassen in de afwerking en mag niet worden gebruikt. Roestvrijstalen onderdelen verkleuren (ze worden goudkleurig of bruin) wanneer ze worden opgewarmd. Dat is normaal en beïnvloedt de werking van de barbecue niet.



WAARSCHUWING! Slang: Controleer op afgeschaafde, gesmolten, doorgesneden en gebarsten plekken. Gebruik de gasbarbecue niet indien de slang er zo uitziet. Laat het onderdeel vervangen door uw Napoleon-handelaar in gasbarbecues of door een erkend gasinstallateur.

Buis Brander: De brander is vervaardigd uit dik roestvrij staal (type 304), maar vanwege de overmatige hitte en de corrosieve omgeving zal zich blauwverkleuring voordoen. Verwijder de blauwverkleuring met een koperen borstel.

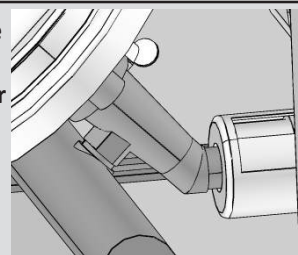


LET OP! Beware Van Spinnen

Ontstop verstopte openingen met een open paperclip. Maak de branderopeningen niet groter. Spinnen en insecten worden aangetrokken door de geur van propaan- en aardgas. De brander is op de ventilatieklep voorzien van een insectenscherm. Zo is de kans kleiner dat insecten in de brander nesten gaan bouwen, hoewel het probleem niet volledig kan worden geëlimineerd. Nesten of spinnenwebben doen de brander met een zachtgele of oranje vlam branden of veroorzaken brand (terugslag) ter hoogte van de ventilatieklep onder het bedieningspaneel. Indien u de brander binnenin wenst schoon te maken, moet hij eerst uit de barbecue worden gehaald. Verwijder de zich in het midden van de brander bevindende schroef. Til de achterkant van de brander omhoog om hem te verwijderen. Maak de binnenkant van de brander schoon met een soepele voor venturibuizen bestemde borstel. Schud los afval uit de brander, door de gasinlaat. Zorg ervoor dat het insectenscherm schoon is, strak vastzit, lintvrij is en geen sporen vertoont van ander afval. Controleer ook of de ventielopeningen schoon zijn. Maak de openingen niet groter. Plaats de brander terug op zijn plaats. Controleer of de klep in de brander gaat wanneer u deze installeert.



WAARSCHUWING! Het is erg belangrijk dat bij het herinstalleren van de brander na het reinigen, de/het klep/uiteinde de brander in gaat voordat u uw gasgrill aansteekt. Als de klep niet in de brander zit, kan brand- of explosiegevaar ontstaan.



Aluminium Gietwerk: Maak het gietwerk regelmatig schoon met lauw zeepwater. Aluminium roest niet, maar vanwege de hoge temperaturen en de weersellemen, kan zich op aluminiumoppervlakken oxidatie voordoen. Op het gietwerk ziet u dan witte vlekken. Om het opnieuw zijn oorspronkelijk uitzicht te geven, kunt u die vlekken afvegen en het gietwerk polijsten met fijn schuurpapier. Veeg het oppervlak af om afval te verwijderen en verf het met tegen hoge temperaturen bestendige, speciaal voor barbecues bestemde verf. Zorg ervoor dat dingen in de omgeving niet mee besproeid worden. Volg de aanwijzingen van de spuitbus.

Probleemoplossing

Problem	Mogelijke oorzaken	Oplossing
Lage temperatuur / kleine vlam wanneer klep in hoge stand staat.	<p>Propan - Verkeerde manier van aansteken.</p> <p>Aardgas – te kleine toevoerleiding.</p> <p>Beide gassoorten – onjuiste oorverwarming.</p>	<p>Volg zorgvuldig de instructies voor aansteken op. Alle afsluiters van de gasbarbecue moeten dicht zijn wanneer de gaskraan wordt opgedraaid. Draai de gasfles langzaam open met het oog op gelijke druk. Zie de instructies i.v.m. aansteken.</p> <p>De grootte van de leiding moet overeenkomen met de installiecode.</p> <p>De barbecue dient voorverwarmd te worden met hoofdbranders in de hoge stand gedurende 10 à 15 minuten.</p>
Overmatig opflakkerende vlammen/warmte onevenredig verdeeld.	<p>Onjuiste voorverwarming.</p> <p>Te grote ophoping van vet en as op de kookplaten en in de lekbak.</p>	<p>De barbecue dient voorverwarmd te worden met beide hoofdbranders in de hoge stand gedurende 10 à 15 minuten.</p> <p>Maak de kookplaten en de lekbak regelmatig schoon. Bekleed de bak niet met aluminiumfolie. Zie de reinigingsinstructies.</p>
Uit de branders komt een gele vlam en u neemt ook een gasgeur waar.	Mogelijke aanwezigheid van een spinnenweb of ander afval.	Verwijder de brander en maak hem grondig schoon. Zie de algemene onderhoudsinstructies.
Zoemende regelaar.	Normaal op warme dagen.	Dit is geen mankement. Dit wordt veroorzaakt door de interne trillingen in de regelaar en beïnvloedt niet de werking of de veiligheid van de gasbarbecue. Zoemende regelaars worden niet vervangen.
De branders steken elkaar niet aan.	Verstopte openingen aan de achterzijde van de brander.	Maak de branderopeningen schoon. Zie de onderhoudsinstructies voor branders.
De “verf” in het deksel of de kap bladdert zichtbaar af.	Vetophoping op binnenzijde.	Dit is geen mankement. De afwerking van het deksel en de kap is van email en bladdert niet af. Het afbladderen wordt veroorzaakt door verhard vet, dat in de verfachtige stukken droogt. Dit vet schilfert af. Dat kan worden voorkomen met regelmatig reinigen. Zie de reinigingsinstructies.



Bestellen Van Reserveonderdelen

GARANTIE-INFORMATIE

MODEL: _____

AANKOOPDATUM: _____

SERIENUMMER: _____

(schrijf hier uw gegevens voor gemakkelijke referentie)

Voordat u contact opneemt met de klantenservice, controleer de NAC website voor uitgebreidere reiniging, onderhoud, het oplossen van problemen en de instructies voor het vervangen van onderdelen op www.napoleongrills.com. Neem direct contact op met de fabriek voor vervangende onderdelen of schadeclaims. De klantenservice is bereikbaar tussen 9 AM en 5 PM (Eastern Standard Time) op 1-866-820-8686 of fax op 1-705-727-4282. Voor het afhandelen van een schadeclaim, hebben wij de volgende gegevens nodig:

1. Model en serienummer van het apparaat.
2. Onderdeelnummer en beschrijving.
3. Een korte duidelijke omschrijving van het probleem ('gebroken' is niet voldoende).
4. Bewijs van aankoop (kopie van de factuur).

In enkele gevallen kan de vertegenwoordiger van de klantenservice verzoeken de onderdelen naar de fabriek terug te sturen voor onderzoek, voordat vervangende onderdelen worden geleverd. De onderdelen dienen vooruitbetaald verscheept te worden ter attentie van de klantenservice met de volgende gegevens:

1. Model en serienummer van het apparaat.
2. Een korte duidelijke omschrijving van het probleem ('gebroken' is niet voldoende).
3. Bewijs van aankoop (kopie van de factuur).
4. Retour autorisatienummer – verstrekt door de vertegenwoordiger van de klantenservice.

Let u er op, voordat u contact opneemt met de klantenservice, dat de volgende zaken niet door de garantie worden gedekt:

- transportkosten, provisie of exportbelastingen
- arbeidsloon voor het de- en herinstalleren
- kosten voor servicegesprekken om de problemen vast te stellen
- ontkleuring van roestvrijstalen onderdelen
- mankementen aan onderdelen door gebrek aan reiniging en onderhoud, of het gebruik van onjuiste reinigingsmiddelen (ovenreiniger).



WAARSCHUWING! Het is aanbevolen om tijdens het uitpakken en monteren voor uw veiligheid werkhandschoenen aan te trekken en een veiligheidsbril op te zetten. Hoewel we er alles aan doen om het montage proces zo goed en zo veilig mogelijk te maken, is het kenmerkend voor bewerkte stalen onderdelen dat de uiteinden en hoeken scherp kunnen zijn en verwondingen kunnen veroorzaken als ze tijdens de montage niet op de juiste manier worden behandeld.

Aan De Slag

1. Haal alle onderdelen van het onderstel, de behuizing en de grill uit het karton. Til het deksel op en haal alle verpakte onderdelen uit de binnenkant. Gebruik de onderdelenlijst om ervoor te zorgen dat alle noodzakelijke onderdelen aanwezig zijn.
2. Vernietig het verpakkingsmateriaal niet totdat de grill volledig gemonteerd is en naar tevredenheid werkt.
3. Monteer de grill op de plaats waar die gebruikt gaat worden. Leg het karton of een handdoek op de grond om de onderdelen te beschermen tegen verlies of beschadiging tijdens montage.
4. De meeste roestvrijstalen onderdelen worden geleverd in een beschermende plastic laag die verwijderd moet worden voordat de grill gebruikt wordt.
5. Volg alle instructies in de volgorde zoals die is uitgelegd in deze handleiding.
6. Er zijn twee mensen voor nodig om de grillbak op het gemonteerde onderstel te tillen.

Als u vragen heeft over de montage of werking van de grill, of als er beschadigingen of ontbrekende onderdelen zijn, bel dan gerust onze klantenservice op 1-866-820-8686 tussen 9 AM en 5 PM Eastern Standard Time

NL

Benodigd gereedschap voor montage (gereedschap niet meegeleverd)

3/8" and 5/8"
schrauben-
schlüssel



philips
schroevendraaier



Buigtang



Hammer





Fax naar: 705 727 4282

Bestelformulier voor Accessoires en Onderdelen

A.u.b. schrijf in blokletters

Naam: _____

Verstuur naar : _____

Tel : _____

Fax : _____

Email: _____

Visa of Mastercard Nummer: _____ **Vervaldatum:** _____

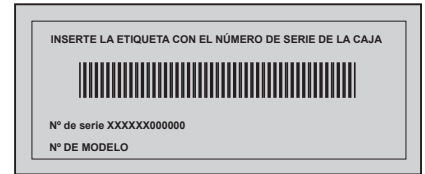
Handtekening: _____

Aantal	Onderdeelnummer	Omschrijving

Belasting kan worden toegepast
Mogelijk extra vervoerskosten

Als u een bevestiging wilt, wilt u dan zo vriendelijk zijn een fax nummer of een e-mail adres aan te geven.

Utilice esta parrilla a gas sólo al aire libre en ubicaciones que dispongan de una buena ventilación. Nunca utilice la parrilla en edificios, garajes, porches cerrados, cenadores o cualquier otro lugar cerrado.



495, 495SB

ES



PELIGRO

SI PERCIBE OLOR A GAS:

- Cierre el suministro de gas del dispositivo.
- Apague las llamas abiertas.
- Abra la tapa.
- Si el olor persiste, aléjese del dispositivo y llame inmediatamente a su proveedor de gas o al departamento de bomberos.



ADVERTENCIA

No intente encender el dispositivo sin haber leído antes las instrucciones de la sección "ENCENDIDO" incluidas en este manual.

No almacene ni utilice gasolina u otro fluido inflamable en las proximidades de este

otro dispositivo. Almacene un cilindro de baja presión sin conectar en las proximidades de este u otro dispositivo. Siga rigurosamente estas instrucciones, ya que, de lo contrario, se podría originar un incendio o producir una explosión, lo que causará daños personales o en la propiedad, o incluso la muerte.

Aviso para el instalador: deje estas instrucciones al propietario de la parrilla para que éste pueda referirse a ellas cuando sea necesario.



0359-12

Napoleon Appliance Corp.,
214 Bayview Dr., Barrie, Ontario, Canada L4N 4Y8 Phone: 1-866-820-8686
Fax: (705)725-2564 email: wecare@napoleonproducts.com web site: www.napoleongrills.com

GRACIAS POR ELEGIR NAPOLEON

Los productos NAPOLEON están diseñados con materiales y componentes de primera calidad. Profesionales capacitados y orgullosos de su trabajo son los responsables de ensamblar los productos. Las pruebas de fuga de gas y de incendio se realizan en centros de pruebas autorizados. Técnicos calificados inspeccionan cuidadosamente la parrilla antes de empaquetarla y transportarla para que usted, nuestro cliente, reciba el producto de alta calidad que le brinda NAPOLEON.

En Napoleon, nos dedicamos a usted, "nuestro valioso cliente". Nuestra meta es entregarle las herramientas necesarias para lograr que el arte de cocinar en parrilla sea una experiencia inolvidable. Le brindamos este manual para asegurarle un correcto ensamble, mantenimiento, cuidado e instalación de la nueva parrilla. Es importante que lea y comprenda todo el manual antes de utilizar la nueva parrilla para que entienda todas las precauciones de seguridad y vea todas las características que la parrilla le ofrece. Siga cuidadosamente estas instrucciones y disfrute el arte de la cocina en parrilla sin problemas, durante años. Si el producto no cumple con sus expectativas, contáctese con nuestro departamento de atención al cliente al 1-866-820-8686, de 9 a. m. a 5 p. m. hora del este (Estados Unidos), o visite nuestro sitio web: www.napoleongrills.com.

Garantía limitada del presidente de Napoleon para la parrilla a gas

NAPOLEON garantiza los siguientes materiales y mano de obra de la nueva parrilla a gas NAPOLEON contra defectos durante 10 años. Esta garantía cubre piezas de aluminio fundido (no se incluye la pintura), estantes laterales (no se incluye la pintura), panel de control de acero inoxidable (no se incluye serigrafía), quemadores de acero inoxidable, tapa de acero inoxidable o porcelana y soportes de inserción, y asas de la tapa, todos sujetos a las siguientes condiciones: Durante los primeros cinco años, NAPOLEON reemplazará partes sin costo, según nuestra opción. Del sexto al décimo año, NAPOLEON reemplazará partes con un costo del 50% del valor actual de venta al público.

La garantía cubre componentes, como platos de sellado de acero inoxidable o porcelana, rejillas de acero inoxidable o hierro fundido, válvulas con sistema de encendido, indicadores de temperatura, perillas, y quemadores infrarrojos de cerámica (no se incluyen pantallas). Napoleon proporcionará las partes, sin cargo, durante los primeros dos años de la garantía limitada.

La garantía cubre los demás componentes, como reguladores, ruedas, rejillas para mantener el calor, mangueras y conexiones, I-GLOW™, sujetadores y accesorios. NAPOLEON proporcionará las partes, sin cargo, durante el primer año de la garantía limitada.

NAPOLEON no se responsabiliza por los gastos de transporte, mano de obra ni aranceles de exportación.

Condiciones y limitaciones

"NAPOLEON garantiza la no existencia de defectos de fabricación en sus productos única y exclusivamente para el comprador original, siempre y cuando la compra se haya realizado a través de un proveedor de NAPOLEON autorizado y esté sujeta a las siguientes condiciones y limitaciones:"

La garantía de esta empresa no es transferible y no podrá ser ampliada bajo ningún concepto por ninguno de nuestros representantes.

La instalación de la parrilla a gas debe llevarse a cabo por un técnico de servicio o contratista autorizado y con licencia. La instalación se debe realizar de acuerdo a las instrucciones de instalación que se incluyen con el producto y conforme a todos los códigos de construcción local y normas relativas a incendios.

Esta garantía limitada no cubre los daños derivados del mal uso del dispositivo, falta de mantenimiento, incendios ocasionados por grasa, entornos hostiles, accidentes, alteraciones, uso indebido o negligencia. Asimismo, esta garantía quedará anulada si alguna pieza ha sido instalada por otros fabricantes.

Esta garantía limitada no incluye, además, las ralladuras, abolladuras, acabados pintados, corrosión o decoloración producidos por el calor, productos de limpieza abrasivos o químicos, el desconchado de las piezas esmaltadas de porcelana ni de ninguno de los componentes utilizados en la instalación de la parrilla a gas.

Si el deterioro de las piezas se produce hasta el punto que evita el correcto funcionamiento del dispositivo en el período de cobertura de la garantía, se proporcionará una pieza de recambio. Sólo durante el primer año, esta garantía se amplía a las piezas cubiertas por la garantía que presenten defectos en el material o de mano de obra, siempre y cuando el producto haya sido utilizado de acuerdo a las instrucciones de funcionamiento y en condiciones normales.

Una vez transcurrido el primer año, con respecto a esta garantía de por vida limitada President's, NAPOLEON podrá, según su criterio, eximirse completamente de todas sus obligaciones en relación a esta garantía reembolsando al comprador que adquirió la garantía original el precio total de cualquier pieza bajo garantía aunque esté defectuosa.

NAPOLEON no será responsable de la instalación, la mano de obra o cualquier coste relacionado con la reinstalación de la pieza en garantía, la cual no cubre dichos gastos.

A pesar de las disposiciones contenidas en esta garantía de por vida limitada President's, la responsabilidad de NAPOLEON bajo esta garantía queda definida en los términos anteriores y, en ningún caso, podrá ampliarse a daños incidentales, consecuenciales o indirectos.

Esta garantía define las obligaciones y responsabilidades de NAPOLEON con respecto a la parrilla a gas NAPOLEON y se excluye cualquier otra garantía, expresa o implícita, en relación a este producto, sus componentes o accesorios.

NAPOLEON no asume ni autoriza que cualquier tercero asuma, en su nombre, cualquier otro tipo de responsabilidad con respecto a la venta de este producto. NAPOLEON no será responsable de: encendidos excesivos, apagones causados por condiciones ambientales como vientos fuertes o una ventilación no adecuada. Los daños causados en la parrilla a gas como consecuencia de las condiciones meteorológicas, granizo, tratamiento inadecuado, sustancias químicas o productos de limpieza dañinos no serán responsabilidad de NAPOLEON. Cualquier reclamación de la garantía de NAPOLEON requiere estar en posesión del contrato de venta o una copia del mismo junto con el número de serie y el número de modelo. NAPOLEON se reserva el derecho a que su representante inspeccione cualquier producto o pieza antes de aceptar cualquier reclamación de la garantía.

NAPOLEON queda exento de toda responsabilidad en cuanto a los cargos derivados del transporte, los costes de mano de obra o los impuestos de exportación.



ADVERTENCIA! Si no sigue estas instrucciones, se podrían producir daños personales o en la propiedad, o incluso la muerte. Lea y siga todas las advertencias e instrucciones que se incluyen en este manual antes de utilizar la parrilla.

Procedimientos de seguridad durante el funcionamiento

- Ensamble esta parrilla a gas de acuerdo a las instrucciones del manual. Si guardó la parrilla ensamblada, lea las instrucciones para confirmar el correcto ensamble de la parrilla y compruebe que no haya fugas antes de utilizar la unidad.
- Lea todas las instrucciones del manual antes de utilizar la parrilla a gas.
- Nunca modifique esta parrilla a gas.
- Siga cuidadosamente las instrucciones de encendido cuando utiliza la parrilla.
- Cierre la válvula del tanque de gas propano o del suministro de gas natural cuando no esté utilizando la parrilla.
- Mantenga a los niños y animales alejados de la parrilla caliente. No permita que los niños suban e ingresen al gabinete.
- Supervise a los niños y no permita que jueguen con el dispositivo.
- Este dispositivo no debe ser utilizado por personas (incluso niños) con capacidades físicas, sensoriales o mentales reducidas, o con falta de experiencia o conocimiento, a menos que una persona responsable de su seguridad les haya brindado supervisión o instrucciones sobre el uso del dispositivo.
- No descuide la parrilla mientras está en funcionamiento.
- No mueva la parrilla mientras esté caliente o en funcionamiento.
- La parrilla es solamente para uso doméstico.
- No instale esta parrilla a gas en un vehículo recreativo ni en botes.
- Utilice esta parrilla a gas solo en exteriores, en ambientes ventilados. No utilice esta parrilla en edificios, cocheras ni en ningún área cerrada.
- Mantenga los combustibles a una distancia adecuada (a 16" (410 mm) de la parte posterior de la unidad, a 7" (180 mm) de los lados). Se recomienda mantener una distancia adicional de 24" (610 mm) de revestimiento de vinilo o de paneles de vidrio.
- Mantenga los orificios de ventilación del gabinete del tanque de gas sin residuos.
- No utilice la unidad bajo ninguna construcción combustible.
- No coloque la parrilla en lugares ventosos. Los vientos fuertes afectan el rendimiento de la parrilla a gas.
- En caso de guardar la parrilla en un ambiente cerrado, desconecte el tanque de gas propano de la parrilla y guárdelo en el exterior, en un área ventilada. No guarde los tanques desconectados en edificios, cocheras ni en ningún área cerrada. En caso de almacenar unidades para gas natural en un ambiente cerrado, desconéctelas del suministro de gas.
- Inspeccione la manguera del suministro de gas antes de cada uso. Si detecta desgaste excesivo o deterioro, reemplace la manguera antes de utilizar la parrilla con un repuesto suministrado por el fabricante.
- Nunca almacene un tanque de gas propano de reserva debajo o cerca de la parrilla.
- Nunca cargue el tanque a más del 80 % de su capacidad.
- No utilice un tanque que no esté provisto de una conexión QCC1.
- Realice una prueba de fuga de gas en todas las conexiones antes del primer uso, una vez al año o cuando reemplace cualquier componente, incluso si compró la parrilla ya ensamblada.
- Nunca utilice gas natural en una unidad diseñada para gas propano líquido.
- Nunca utilice líquido combustible en una parrilla a gas.
- Utilice briquetas de carbón solo con la bandeja para carbón Napoleon diseñada para esta unidad.
- Mantenga los controles del quemador apagados mientras conecta el tanque de gas.
- No encienda los quemadores con la tapa cerrada.
- No utilice el quemador posterior y los quemadores principales al mismo tiempo.
- Mantenga la tapa abierta durante el precalentamiento.
- No conecte la manguera debajo de la bandeja de goteo. Mantenga la manguera a una distancia considerable de la parte inferior de la unidad.
- Limpie la bandeja para grasa y los platos de sellado periódicamente para evitar acumulaciones de grasa que pueden incendiarse.
- Retire la rejilla para mantener el calor antes de encender el quemador posterior. El calor intenso puede dañar la rejilla para mantener el calor.
- Asegúrese de que los platos de sellado están correctamente ubicados de acuerdo a las instrucciones de instalación de los platos de sellado.
- No utilice estantes laterales para almacenar encendedores, cerillos ni otros combustibles.
- Mantenga la tubería de gas lejos de superficies calientes.
- Mantenga todos los cables de suministro eléctrico lejos del agua o superficies calientes.
- Inspeccione periódicamente el tubo Venturi del quemador infrarrojo en busca de telas de araña u otras obstrucciones. Limpie completamente los tubos si encuentra obstrucciones.
- Desconecte la parrilla a gas para exteriores y su válvula de cierre individual del sistema de tubería del suministro de gas durante cualquier prueba de presión del sistema a presiones superiores a 0,5 psi (3,5 kPa).
- Aísle la parrilla a gas para exteriores del sistema de tubería de suministro de gas; para ello, cierre la válvula de cierre manual individual durante cualquier prueba de presión del sistema a presiones iguales o menores a ½



Cómo desechar correctamente este producto

Este símbolo indica que el producto no debe desecharse como residuo doméstico en la Unión Europea. Para evitar posibles daños al medio ambiente o a la salud de las personas como resultado de la eliminación de residuos de forma descontrolada, recicle este producto de forma responsable con la finalidad de promover la reutilización sostenible de los recursos materiales. Para devolver la unidad usada, utilice los sistemas de devolución y recolección, o contáctese con el distribuidor a través del cual compró el producto. El distribuidor se encargará de reciclar el producto para proteger el medio ambiente.

Cilindro de gas a presión

Utilice sólo cilindros de gas a presión que cumplan con los códigos nacionales y regionales. El peso mínimo de cilindro para unidades de butano es de 13 kg, y de 6 kg para las unidades de propano. Asegúrese de que el cilindro puede proporcionar una cantidad suficiente de combustible como para poner el dispositivo en funcionamiento. En caso de duda, póngase en contacto con su proveedor de gas local.

- Tenga cuidado al manejar la válvula del cilindro.
- Nunca conecte un cilindro que no cumpla con los códigos locales.

Todos los cilindros con un peso de 7 kg o más deberán ser ubicados fuera de la unidad (debajo del estante derecho) a nivel del suelo. Los cilindros con un peso inferior a 7 kg se pueden colocar dentro de la unidad, en el orificio del estante inferior. Sólo los cilindros conectados al dispositivo se podrán almacenar en la unidad, o cerca del dispositivo. Los cilindros de repuesto no se deben almacenar próximos a la unidad de funcionamiento. Los cilindros no se deben exponer a calor extremo ni a luz directa del sol.



ADVERTENCIA! Asegúrese de que el camino que sigue el tubo deja una distancia adecuada debajo de la unidad. Si los tubos entran en contacto con superficies a altas temperaturas éstos podrían derretirse o provocar fugas, lo que daría lugar a un incendio.

Conexión del cilindro: Asegúrese de que el tubo del regulador de gas no presenta deformaciones. Retire la tapa o el tapón de la válvula de combustible del cilindro. Ajuste el regulador a la válvula del cilindro. *Realice pruebas de fugas en todas las juntas antes de utilizar la barbacoa.* Debe realizar una prueba de fugas una vez al año, cada vez que conecte un cilindro o al sustituir una pieza del sistema de gas.



ADVERTENCIA:

- No conecte la manguera debajo de la bandeja de goteo.
- No conecte la manguera en el espacio entre el estante inferior y el panel posterior.
- No conecte la manguera sobre la parte superior del panel.
- Asegúrese de ajustar todas las conexiones con dos llaves inglesas. No utilice cinta de teflón ni lubricante para tubería en ninguna conexión de mangueras.
- Asegúrese de que la manguera no esté en contacto con superficies a alta temperatura, ya que podría derretirse, gotear y provocar un incendio.
- No almacene el exceso de manguera en ambientes cerrados, ya que podría estar en contacto con superficies calientes, derretirse, gotear y provocar un incendio.

Tubo de gas

- Si el fabricante no incluye el tubo ni el regulador, sólo podrá utilizar tubos y reguladores que cumplan con los códigos nacionales y regionales.
- Asegúrese de que el tubo no entra en contacto con grasa, goteos o superficies calientes del dispositivo.
- Compruebe el tubo con regularidad. En caso de que detecte rasgones, zonas derretidas o desgaste, sustituya el tubo antes de utilizar el dispositivo.
- La longitud de tubo recomendada es de 0,5 m. La longitud del tubo no puede ser superior a 1,5 m.
- Asegúrese de que el tubo no presenta torsiones ni deformaciones cuando esté instalado.
- Sustituya el tubo antes de la fecha de caducidad impresa en el mismo.

Regulador

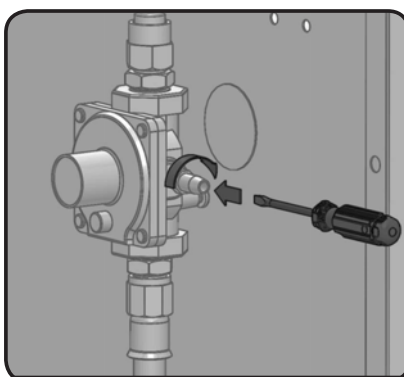
En la tabla siguiente se muestran los valores de entrada del dispositivo.

Quemador	Tamaño del orificio	Entrada de calor (valor bruto)	Uso de gas (Total)
Principal	1.07mm (#58)	16.0 kW	1160 g/h
Lateral	0.82mm	2.4kW	174 g/h

Gases/presiones certificados. Consulte la placa de datos de servicio y asegúrese de que se corresponde con la tabla siguiente.

Categoría de gas	I _{3B/P(30)}	I _{3+(28-30/37)}	I _{3B/P(37)}	I _{3B/P(50)}
Gases/presiones	Butano 30mbar Propano 30mbar	Butano 28-30mbar Propano 37mbar	Butano 37mbar Propano 37mbar	Butano 50mbar Propano 50mbar
Países	BE, BG, CY, DK, EE, FI, FR, GB, HR, HU, IS, IT, LT, LU, MT, NL, NO, RO, SE, SI, SK, TR	BE, CH, CY, CZ, ES, FR, GB, GR, IE, IT, LT, LU, LV, PT, SK, SI	PL	AT, CH, DE, SK

No altere ni modifique el regulador. Utilice solo el regulador de suministro de la presión que figura en la tabla que se muestra arriba. Utilice un regulador de 28/30 mbar para butano o un regulador de 37 mbar para propano. La parrilla incluye un regulador interno. Este regulador interno posee una presión de salida de 22 mbar. No lo modifique ni ajuste. En caso de repuesto, utilice solo el regulador suministrado por el fabricante.



La unidad incluye una válvula interna que estabiliza la presión de gas y mejora el rendimiento de la barbacoa. La válvula no puede ajustarse. Hay una toma de presión situada a un lado de la válvula. El personal de mantenimiento puede utilizarla para comprobar si la válvula funciona correctamente al efectuar el mantenimiento de la barbacoa. El tornillo alojado en la toma debe permanecer siempre firmemente apretado, salvo al efectuarse la comprobación de estanquidad en la válvula (que únicamente deberá realizarse por personal de mantenimiento cualificado).

Instrucciones para realizar pruebas de fugas



ADVERTENCIA! Las pruebas de fugas se deben realizar anualmente, cada vez que el cilindro se conecta o al sustituir una pieza del sistema de gas.



ADVERTENCIA! No utilice nunca una llama abierta para comprobar las fugas de gas. Asegúrese de que no hay chispas ni llamas abiertas en la zona mientras realiza una prueba de fugas. Las chispas o las llamas abiertas producirán un incendio o una explosión, daños en la propiedad, heridas graves o incluso la muerte.



Prueba de fugas: Pruebe la unidad frente a fugas antes de utilizarla por primera vez, anualmente y siempre que sustituya o realice tareas de mantenimiento en alguna de los componentes del sistema de gas. No fume mientras realiza esta prueba y retire todas las fuentes de ignición. Consulte el diagrama de prueba de fugas para ver las zonas que es preciso comprobar. Sitúe los controles de todos los quemadores en posición de apagado (OFF). Active la válvula de suministro de gas.



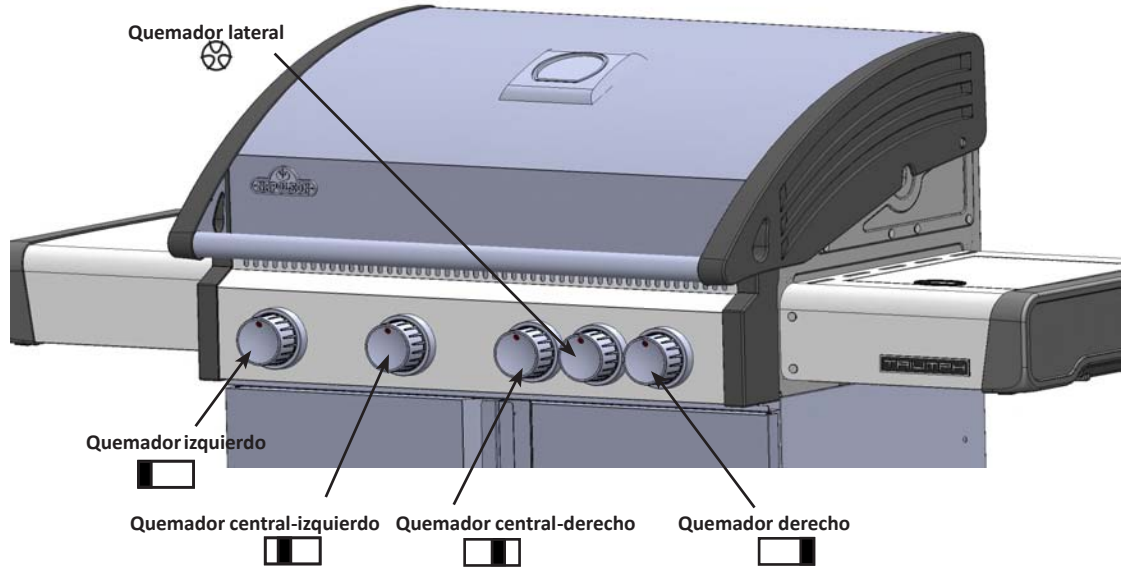
Con una solución de jabón líquido y agua al 50%, lave todas las juntas y conexiones del regulador, el tubo, los mandos y las válvulas.



La presencia de burbujas indicará la existencia de una fuga de gas. Apriete la junta floja o sustituya la pieza por una recomendada por el departamento de atención al cliente de Napoleon y solicite a un instalador de gas certificado que realice una inspección de la parrilla.

Si la fuga no se detiene, apague inmediatamente el suministro de gas, desconéctelo y solicite a un instalador o proveedor de gas certificado que realice una inspección de la parrilla. No utilice la parrilla hasta que se haya corregido la fuga.

Instrucciones de encendido



ADVERTENCIA! Abra la tapa.

ADVERTENCIA! Asegúrese de que los controles del quemador estén en la posición OFF (apagado). Abra la válvula de suministro de gas.

Posición de apagado



ES

Encendido del tubo del quemador principal.	Encendido del quemador posterior (si se provee)	Encendido del quemador lateral (si se provee)
1. Abra la tapa de la parrilla.	1. Abra la tapa de la parrilla.	1. Abra la cubierta del quemador lateral.
2. Presione y gire suavemente cualquier perilla del quemador principal a la posición "HI" (fuego alto). De esta manera, se encenderá la llama del piloto que luego encenderá el quemador seleccionado. Si el piloto se enciende, continúe presionando la perilla de control hasta que el quemador se encienda y luego libere la perilla.	2. Retire la rejilla para mantener el calor.	2. Presione y gire suavemente la perilla de control del quemador lateral a la posición "HI" (fuego alto). De esta manera, se encenderá el quemador lateral.
3. Si el piloto no se enciende, gire inmediatamente la perilla de control a la posición "OFF" (apagado) y repita el paso 2 varias veces.	3. Presione y gire suavemente la perilla del quemador estilo rotisserie a la posición "HI" (fuego alto). De esta manera, se encenderá la llama del piloto que luego encenderá el quemador. Si el piloto se enciende, continúe presionando la perilla de control hasta que el quemador se encienda y luego libere la perilla.	3. Si el quemador no se enciende, gire inmediatamente la perilla de control a la posición "OFF" (apagado) y repita el paso 2 varias veces.
4. Si el piloto y el quemador no se encienden en 5 segundos, gire la perilla del control a la posición "OFF" (apagado) y espere 5 minutos hasta que el exceso de gas se disipe. Repita los pasos 2 y 3, o encienda con un cerillo.	4. Si el quemador no se enciende, gire inmediatamente la perilla de control a la posición "OFF" (apagado) y repita el paso 3 varias veces.	4. Si el quemador no se enciende en 5 segundos, gire la perilla del control a la posición "OFF" (apagado) y espere 5 minutos hasta que el exceso de gas se disipe. Repita los pasos 2 y 3, o encienda con un cerillo.
5. En caso de encender la unidad con un cerillo, coloque el cerillo en la vara de encendido que acompaña el quemador. Sostenga el cerillo encendido a través de la rejilla y el plato de sellado, y gire la válvula del quemador correspondiente al máximo.	5. Si el quemador no se enciende en 5 segundos, gire la perilla del control a la posición "OFF" (apagado) y espere 5 minutos hasta que el exceso de gas se disipe. Repita los pasos 3 y 4, o encienda con un cerillo.	



Instrucciones para cocinar

Encendido inicial: cuando se enciende por primera vez, la parrilla a gas emite un ligero olor. Este olor es normal y se debe al “quemado inicial” de las pinturas y los lubricantes internos utilizados en el proceso de fabricación. La próxima vez que utilice la parrilla no notará este olor. Simplemente deje los quemadores principales en posición de fuego alto (HIGH) durante aproximadamente media hora.

Uso del quemador principal: al calentar comidas, le recomendamos que precaliente la parrilla poniendo en funcionamiento todos los quemadores principales en la posición de fuego alto (HIGH) con la tapa cerrada durante aproximadamente 10 minutos. El alimento que se cocina durante períodos de tiempo breves (pescado, verduras, etc.) se puede preparar con la tapa abierta. Cocinar con la tapa cerrada garantiza temperaturas más altas y constantes que pueden reducir el tiempo de cocción y un cocinado de la carne más uniforme. La comida que conlleva un tiempo de cocción superior a 30 minutos, como los asados, se puede cocinar indirectamente (con el quemador encendido frente a la ubicación de la comida). Al cocinar carnes muy magras, como pechuga de pollo o cerdo magro, puede lubricar con aceite las rejillas antes de la fase de precalentado con el fin de reducir la posibilidad de que la carne se quede pegada. Al cocinar carne con un alto grado de contenido graso, se pueden producir aumentos repentinos de las llamas. Para evitarlo, quítele la grasa a la carne o reduzca la temperatura. En caso de que las llamas aumenten de tamaño de forma repentina, retire la comida de las llamas y reduzca la temperatura. Deje la tapa abierta. Para obtener instrucciones más detalladas, consulte el libro de cocina *Your All Season Grill* (su parrilla para todo el año) de Napoleon.

Cocción directa: sitúe el alimento que desea cocinar en la parrilla directamente sobre el calor. Este método se utiliza generalmente para dorar, o en el caso de alimentos que no requieren tiempos de cocinado prolongados, como hamburguesas, bistecs, piezas de pollo o verduras. En primer lugar, la comida se dora para retener los jugos y el sabor y, a continuación, se reduce la temperatura para terminar la cocción a gusto del usuario.

Cocción indirecta: con uno o varios quemadores en funcionamiento, sitúe el alimento que desea cocinar en la parrilla sobre un quemador apagado. El calor circulará por la comida efectuando una cocción lenta y uniforme. Se trata de un método de cocción que asemeja, en gran medida, al modo en que se cocina en el horno y se utiliza generalmente para piezas de carne mayores, como asados, pollos y pavos, aunque también se puede utilizar para alimentos que tienden a producir aumentos repentinos de la llama o con ahumados. Una temperatura más baja y un tiempo de cocción más lento da como resultado carnes tiernas.

Uso del quemador trasero (si está presente): retire la rejilla de calentamiento antes de utilizar este quemador. Retire también las rejillas de cocción si interfieren con la rotisserie. El quemador trasero está diseñado para su uso junto al kit de rotisserie (incluido en la mayor parte de las unidades de quemador trasero) que puede obtener de su proveedor. Consulte las instrucciones de montaje del kit de rotisserie.

Para utilizar el contrapeso: retire el motor de la rotisserie de la parrilla a gas. Sitúe el asador con la carne a lo largo de los ganchos en el interior de la parrilla. La carne colgará de forma natural con la parte más pesada hacia abajo. Ajuste el brazo del contrapeso de modo que el brazo mire hacia arriba. Deslice el contrapeso hacia adentro y hacia afuera para equilibrar la carga. Una vez equilibrada ajuste el conjunto correctamente. Vuelva a instalar el motor y comience a cocinar. Sitúe un plato de metal debajo de la carne para recoger el goteo de la pieza y obtener una deliciosa salsa natural. Podrá ir agregando este líquido según sea necesario. Para conservar el jugo de la carne, en primer lugar ponga el quemador trasero en funcionamiento a fuego alto hasta que se torne de color marrón y, posteriormente, reduzca la temperatura para cocinar completamente los alimentos. Mantenga la tapa cerrada para obtener los mejores resultados. Sus asados y aves se dorarán perfectamente por el exterior y permanecerán húmedos y tiernos en el interior. Por ejemplo, un pollo de 1,3 kg en la rotisserie se hará en aproximadamente media hora a fuego medio o alto. Para obtener instrucciones más detalladas, consulte el libro de cocina *Your All Season Grill* (su parrilla para todo el año) de Napoleon.



ADVERTENCIA! La salsa y la sal de barbacoa pueden resultar corrosivas y deteriorar rápidamente los componentes de la parrilla a gas, a no ser que se limpie con regularidad. Cuando termine de cocinar, desmonte los componentes de la rotisserie, lávelos a fondo con agua templada y jabón y almacénelos en un lugar cerrado.

Uso del quemador lateral de llama (si se incluye): Puede utilizar el quemador lateral como un quemador de cocina para cocinar salsas, sopas, etc. Para un mejor rendimiento, coloque la parrilla a gas, de modo tal que el quemador lateral quede protegido del viento. Se recomienda un diámetro de sartén de 60 a 220 mm.



ADVERTENCIA! Nunca cocine alimentos directamente sobre la rejilla del quemador lateral. El quemador lateral está diseñado para uso exclusivo de ollas o cacerolas.



ADVERTENCIA! No cierre la tapa del quemador mientras esté caliente o en funcionamiento.
ADVERTENCIA! No utilice el quemador para freír alimentos en abundante aceite, ya que puede ser peligroso.

Instrucciones de mantenimiento y limpieza

Recomendamos que un trabajador de servicio cualificado inspeccione y mantenga exhaustivamente la parrilla a gas.



ADVERTENCIA! Utilice siempre guantes de protección y gafas de seguridad cuando se disponga a limpiar la parrilla.

ADVERTENCIA! Para evitar la posibilidad de que se produzcan quemaduras, realice las tareas de mantenimiento de la parrilla sólo cuando el dispositivo esté frío. Evite entrar en contacto con las superficies calientes sin contar con la protección adecuada. Asegúrese de que todos los quemadores están apagados. Limpie la parrilla en un área en la que las soluciones de limpieza no puedan dañar cubiertas, césped o patios. No utilice limpiador para hornos para limpiar ninguna pieza de la parrilla a gas. No utilice un horno autolimpiador para limpiar las rejillas de cocción o cualquier otra pieza de la parrilla a gas. La salsa y la sal de barbacoa pueden resultar corrosivas y deteriorar rápidamente los componentes de la parrilla a gas, a no ser que se limpie con regularidad.

Nota: el acero inoxidable tiende a oxidarse o mancharse en presencia de cloruros y sulfuros, especialmente en áreas costeras y otros entornos hostiles, como los ambientes cálidos y altamente húmedos cerca de las piscinas y jacuzzis. Estas manchas se podrían percibir como óxido, pero se pueden eliminar o evitar fácilmente. Para evitar y eliminar estas manchas, lave todas las superficies de acero inoxidable cada 3-4 semanas, o con la frecuencia que sea necesaria, con agua dulce y/o un limpiador de acero inoxidable.



ADVERTENCIA! Cierre la fuente gas y desconecte la unidad antes de proceder a realizar las tareas de mantenimiento. Para evitar la posibilidad de que se produzcan quemaduras, realice el mantenimiento de la parrilla sólo cuando el dispositivo esté frío. Compruebe la presencia de fugas en la unidad una vez al año, cuando sustituya alguno de los componentes del sistema de gas o cuando note olor a gas.

Placas y rejilla para mantener el calor: las placas y la rejilla para mantener el calor se limpian mejor con un cepillo metálico durante el período de precalentamiento. Se puede usar lana de acero para las manchas más resistentes. Es normal que las placas inoxidables (si se proveen) se descoloren por el uso constante debido a la alta temperatura de la superficie en la que se cocina.

Placas de hierro fundido: las placas de hierro fundido provistas con su nueva parrilla ofrecen más retención y mejor distribución de calor. Al curarlas periódicamente, les proporcionará una capa protectora que ayudará a resistir la corrosión y aumentar su propiedad antiadherente.

Primer uso: lave las placas a mano con agua y detergente suave para eliminar cualquier residuo procedente de fabricación (no utilice lavavajillas). Enjuáguelas con agua caliente y séquelas bien con un paño suave. Esto último es importante para evitar que el hierro fundido entre en contacto con la humedad.

Curado: con un paño suave, esparza GRASA VEGETAL sobre toda la superficie de la placa; cubra todas las acanaladuras y las esquinas. No utilice grasas con sal, como manteca o margarina. Precaliente la parrilla durante 15 minutos y luego coloque las placas curadas. Cierre la tapa y gire los botones de control del quemador a fuego medio. Deje que las placas se calienten durante aproximadamente media hora. Gire todos los quemadores a la posición "OFF" (apagado) y cierre el gas. Deje que las placas se enfríen. Debe repetir este procedimiento varias veces durante el curado, aunque no es necesario para uso diario (para el cual se debe seguir el procedimiento detallado a continuación).

Uso diario: antes de precalentar y limpiar con un cepillo metálico para parrillas, aplique una capa de GRASA VEGETAL sobre toda la superficie de las placas. Precaliente la parrilla y luego elimine los residuos con el cepillo metálico.

Placas de acero inoxidable: (se dispone de un kit más completo; consulte la lista de piezas de repuesto). Las placas de acero inoxidable son duraderas y resistentes a la corrosión. Requieren menos curado y mantenimiento que las placas de hierro fundido. Se recomienda seguir el procedimiento para uso diario descrito más arriba, aunque es posible que precalentar y limpiar las placas con un cepillo metálico sea suficiente para usar la parrilla.

Panel de control: el texto del panel de control se imprime directamente en el acero inoxidable y, si se realiza el mantenimiento adecuado, permanecerá oscuro y legible. Para limpiar el panel, utilice sólo agua templada con jabón o un limpiador de acero inoxidable de la marca que podrá obtener de su proveedor Napoleon. No aplique nunca limpiadores abrasivos en superficies de acero inoxidable, en particular en la zona impresa del panel de control, ya que la impresión se borrará gradualmente.

Limpieza del interior de la parrilla a gas: retire las rejillas de cocción. Utilice un cepillo con dientes de bronce para limpiar los restos sueltos de los laterales de las fundiciones y debajo de la tapa. Raspe las placas para dorar con una espátula o un raspador, y utilice un cepillo con dientes para retirar la ceniza. Retire las placas para dorar y cepille los restos de los quemadores con el cepillo con dientes de bronce. Retire todos los residuos del interior de la parrilla a gas hacia la bandeja recogegotas.

Luces: Para retirar los lentes del casquillo fijo, inserte un destornillador de punta plana entre los lentes y el casquillo y, muévelo suavemente. No toque la bombilla halógena. La grasa de las manos puede reducir la vida útil de la bombilla. Para limpiar los lentes, primero remójelos en agua caliente y jabón, y luego limpie con un paño y limpiador no abrasivo. Para reinstalar los lentes, simplemente colóquelos nuevamente en el casquillo fijo.

Bandeja recoge gotas: la grasa acumulada constituye un peligro de incendio. Limpie la bandeja recoge gotas con frecuencia para evitar la acumulación de grasa (cada 4-5 usos o tan frecuentemente como se requiera). Las gotas sobrantes o de grasa van a parar a la bandeja recoge gotas que se encuentra debajo de la parrilla a gas y se acumula en la bandeja para grasa desechable situada debajo de la bandeja. Para limpiarla, deslice la bandeja recoge gotas hasta sacarla de la parrilla. Nunca cubra la bandeja recoge gotas con papel de aluminio, arena u otro material, ya que esto podría evitar que la grasa circulara correctamente. Raspe la bandeja con una espátula o raspador y eche todos los restos en la bandeja para grasa desechable. Sustituya esta bandeja cada 2-4 semanas, en función del uso que le dé a la parrilla a gas. Para obtener suministros, póngase en contacto con su proveedor de la parrilla a gas Napoleon.

Limpieza de la superficie exterior de la parrilla: no utilice limpiadores abrasivos ni estropajo en piezas pintadas, de porcelana o acero inoxidable de la parrilla Napoleon. De lo contrario, rayará el acabado de la unidad. Limpie las superficies exteriores de la parrilla con agua templada y jabón mientras el metal está aún caliente al tacto. Para limpiar superficies de acero inoxidable, utilice un limpiador de acero inoxidable o no abrasivo. Aplique siempre el limpiador en la dirección del grano. Con el tiempo, las piezas de acero inoxidable se decoloren con el calor, adquiriendo normalmente un tono dorado o marrón. Esta decoloración es normal y no afecta al rendimiento de la parrilla. Los componentes esmaltados de porcelana se deben tratar con especial cuidado. El acabado de esmalte horneado es similar al vidrio, por lo que se picará si sufre un golpe. Puede solicitar esmalte para retoques a su proveedor de la parrilla Napoleon.



ADVERTENCIA! Conector flexible: examine el conector flexible para comprobar que no presenta abrasiones, zonas fundidas, cortes o grieta. Si encuentra alguno de estos defectos, no utilice la parrilla a gas. Solicite a su proveedor de la parrilla Napoleon o un instalador de gas cualificado que sustituya la pieza.

Quemador: el quemador está fabricado de acero inoxidable 304 para paredes gruesas, pero el calor extremo y los entornos corrosivos pueden producir la corrosión de la superficie. Este problema puede solventarse con un cepillo con dientes de bronce.

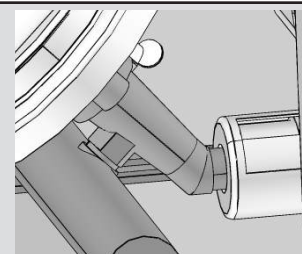


PRECAUCIÓN! Cuidado con las arañas.

Las arañas y otros insectos se sienten atraídos por el olor a propano y gas natural. El quemador está equipado con una mosquitera en el obturador de aire, lo que reduce la posibilidad de que los insectos aniden en el interior del quemador. No obstante, esto no soluciona el problema por completo. Los nidos de insectos o las telas de araña pueden hacer que el quemador desprenda una llama suave de color amarillo o naranja, o incluso causar fuego (retroceso de la llama) en el obturador de aire debajo del panel de control. Para limpiar el interior del quemador, éste se debe extraer de la parrilla a gas: retire el tornillo que une el quemador a la pared posterior. Deslice el quemador hacia atrás y hacia arriba para extraerlo. Limpieza: utilice una escobilla de Venturi flexible para limpiar el interior del quemador. Agite el quemador para extraer los posibles residuos sueltos a través de la entrada de gas. Compruebe que los puertos y los orificios de la válvula del quemador no están obstruidos. Con el tiempo, los puertos del quemador se pueden cerrar debido a restos de alimento y la corrosión. Utilice un clip abierto o la broca de mantenimiento de puertos suministrada para limpiarlos. Agujeree los puertos bloqueados con esta broca y un pequeño taladro inalámbrico. La limpieza de los puertos se ve facilitada si el quemador se extrae de la parrilla, aunque también se puede realizar con el quemador instalado. No doble la broca cuando taladre los puertos, ya que podría partirla. Esta broca está diseñada para los puertos del quemador, y no para los orificios (boquillas) de bronce que regulan el flujo que se dirige hacia el quemador. Tenga cuidado de no agrandar los orificios. Asegúrese de que la mosquitera está limpia, bien fijada y que no presenta pelusas u otros residuos. Reinstalación: realice el procedimiento inverso para reinstalar el quemador. Compruebe que la válvula entra en el quemador cuando lo instale.



ADVERTENCIA! Al reinstalar el quemador tras su limpieza, es muy importante que la válvula / el orificio penetre en el tubo del quemador antes de encender la parrilla a gas. Si la válvula no está dentro del tubo del quemador podría producirse un incendio o una explosión.



Troubleshooting

Problema	Causa posible	Solución
Calor/llama bajos cuando la válvula se sitúa en posición "high" (alto).	<p>Propano - Procedimiento de encendido inadecuado.</p> <p>Gas natural: línea de suministro más pequeña de lo requerido.</p> <p>Pre calentamiento inadecuado.</p>	<p>Siga el procedimiento de encendido cuidadosamente. Todas las válvulas de la parrilla a gas deben estar en la posición de apagado (OFF) al encender la válvula del depósito. Encienda el depósito lentamente para que la presión se iguale. Consulte las instrucciones de encendido.</p> <p>El tamaño del tubo debe respetar el código de instalación.</p> <p>Pre caliente la parrilla con ambos quemadores a fuego alto durante 10 a 15 minutos.</p>
La llama aumenta de tamaño demasiadas veces/calor irregular.	<p>Pre calentamiento inadecuado.</p> <p>Exceso de grasa y acumulación de ceniza en las placas para dorar y la bandeja recoge gotas.</p>	<p>Pre caliente la parrilla con ambos quemadores a fuego alto durante 10 a 15 minutos.</p> <p>Limpie regularmente las placas para dorar y la bandeja recoge gotas. No envuelva la bandeja con papel de aluminio. Consulte las instrucciones de limpieza.</p>
Los quemadores emiten una llama de color Amarillo y desprenden olor a gas.	Posible presencia de telas de araña u otros residuos.	Extraiga el quemador y límpielo exhaustivamente. Consulte las instrucciones de mantenimiento. (Esta operación debe realizarla un instalador de gas cualificado.)
El regulador emite un zumbido.	Esto ocurre normalmente en días calurosos.	No se trata de un defecto. Es causado por vibraciones internas en el regulador y no afecta al rendimiento ni a la seguridad de la parrilla a gas. Los reguladores que emiten zumbidos no necesitan ser sustituidos.
Los quemadores no cruzan su luz entre sí.	Puertos bloqueados en la parte posterior del quemador.	Limpie los puertos del quemador. Consulte las instrucciones de mantenimiento del quemador.
La "pintura" parece desconcharse en el interior de la tapa o la campana.	Acumulación de grasa en las superficies internas.	No se trata de un defecto. El acabado de la tapa y la campana es de porcelana y no se desconcha. El desconchado se produce como consecuencia de la grasa endurecida que se seca formando fragmentos con aspecto de pintura que se descascarilla. Una limpieza regular evitará este problema. Consulte las instrucciones de limpieza.

CONSERVE SU FACTURA COMO PRUEBA DE COMPRA PARA VALIDAR SU GARANTÍA.

Solicitud de piezas de recambio

Información de la garantía

MODELO: _____

FECHA DE COMPRA: _____

NÚMERO DE SERIE: _____

(Registre la información aquí para poder recurrir a ella fácilmente cuando lo necesite)

Antes de ponerse en contacto con el departamento de atención al cliente, consulte el sitio Web de NAC para obtener instrucciones más detalladas sobre limpieza, mantenimiento, solución de problemas y recambio de piezas: www.napoleongrills.com. Póngase en contacto directamente con la empresa para obtener piezas de recambio y para realizar reclamaciones de la garantía. Nuestro departamento de atención al cliente está disponible de 9:00 a 17:00 (hora estándar oriental) en el número 1-866-820-8686, o por fax en el número: 1-705-727-4282. Para procesar una reclamación, necesitamos que nos proporcione la siguiente información:

1. Modelo y número de serie de la unidad.
2. Número y descripción de la pieza.
3. Descripción precisa del problema (“roto” no es suficiente).
4. Prueba de compra (fotocopia de la factura).

En determinados casos, el representante de atención al cliente podrá solicitar que las piezas sean devueltas a la fábrica para su inspección antes de proporcionar las piezas de recambio. Estas piezas deberán ser enviadas previamente pagadas a la atención del departamento de atención al cliente con la siguiente información adjunta:

1. Modelo y número de serie de la unidad.
2. Descripción precisa del problema (“roto” no es suficiente).
3. Prueba de compra (fotocopia de la factura).
4. Número de autorización de devolución, proporcionado por el representante de atención al cliente.

Antes de ponerse en contacto con el servicio de atención al cliente, tenga en cuenta que la garantía no cubre los elementos siguientes:

- Costes de transporte, rotura o impuestos de exportación.
- Costes de mano de obra para extracción y reinstalación.
- Costes de llamadas de servicio para diagnosticar problemas.
- Decoloración de las piezas de acero inoxidable.
- Fallo de las piezas por falta de limpieza y mantenimiento, o uso no adecuado de limpiadores (limpiador de hornos).

ES



PRECAUCIÓN! Le recomendamos que, para su protección, durante el desempaquetado y el montaje del dispositivo lleve guantes de protección y gafas de seguridad. Aunque hacemos todo lo que está en nuestra mano para que el proceso de montaje no resulte problemático y sea lo más seguro posible, es característico de las piezas fabricadas de acero que sus extremos y esquinas estén afiladas, por lo que pueden producir cortes si no se manejan correctamente.

Operaciones Iniciales

- Extraiga todos los paneles del carro, el hardware y la parte superior de la parrilla de la caja. Levante la tapa y extraiga del interior los componentes empaquetados. Consulte la lista de piezas para asegurarse de que se incluyen todos los elementos necesarios.
- No rompa el embalaje hasta que la parrilla se haya montado completamente y funcione correctamente.
- Sitúe la parrilla en el lugar en el que vaya a utilizarla, coloque un cartón o una toalla para evitar que las piezas se pierdan o resulten dañadas durante el montaje.
- La mayoría de las piezas de acero inoxidable se suministran con una envoltura de plástico de protección que deberá retirar antes de utilizar la parrilla.
- Siga todas las instrucciones en el orden que se indica en este manual.
- Se requieren dos personas para situar la parrilla en el carro de montaje.

Si tiene alguna pregunta sobre el montaje o funcionamiento de la parrilla, o si alguna de las piezas falta o está dañada, llame al departamento de atención al cliente al número: 1-866-820-8686, entre las 9:00 y las 17:00 horas (hora estándar oriental).

Herramientas necesarias para el montaje (no incluidas)

Llave, trinquete o destornillador de 3/8 (10 mm)



Destornilladores planos y Phillips



Alicates



Martillo





FAX TO: 705 727 4282

FORMULARIO DE SOLICITUD DE ACCESORIOS Y PIEZAS

ESCRIBA CON LETRA CLARA Y LEGIBLE

NOMBRE DE CONTACTO: _____

CORREO ELECTRÓNICO: _____

TEL.: _____ **FAX :** _____

EMAIL: _____

Nº DE VISA O MASTERCARD: _____ **FECHA DE CADUCIDAD:** _____

FIRMA: _____

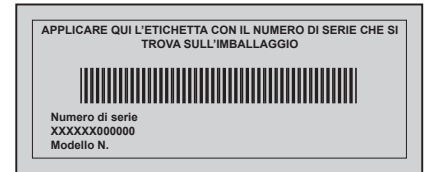
CANTIDAD	NÚMERO DE PIEZA	DESCRIPCIÓN

PUEDE QUE SE APLIQUEN
IMPUESTOS GASTOS DE ENVÍO

SI REQUIERE CONFIRMACIÓN, INCLUYA UN NÚMERO DE FAX O UNA DIRECCIÓN DE CORREO ELECTRÓNICO

ES

Questa griglia a gas deve essere usata solo all'esterno, in un posto ben ventilato e non deve essere usata all'interno di edificio, garage o altre aeree chiuse.



495, 495SB

IT



PERICOLO

COSA FARE SE SENTI ODORE DI GAS:

- Spegnere il gas.
- Estinguere eventuali fiamme aperte
- Aprire il coperchio
- Chiamare subito il tecnico del gas o i vigili del fuoco se l'odore persiste.



ATTENZIONE

Non cercate di accendere l'impianto senza prima avere preso visione della sezione "ACCENSIONE" di questo manuale.

Per la tua sicurezza non tenere o usare benzina o altre sostanze infiammabili nelle vicinanze di questo od altri impianti.

Una bombola di gas propano non collegata all'uso non deve essere accantonata vicino all'impianto.

Se le informazioni di queste istruzioni non sono seguite in modo esatto potrebbe verificarsi un' esplosione che causera' seri danni a cose e persone o morte.

Conservare il presente Manuale Per Riferimenti Futuri



0359-12

Napoleon Appliance Corp.,
214 Bayview Dr., Barrie, Ontario, Canada L4N 4Y8 Phone: 1-866-820-8686
Fax: (705)725-2564 email: wecare@napoleonproducts.com web site: www.napoleongrills.com

GRAZIE PER AVER SCELTO NAPOLEON

I prodotti NAPOLEON sono realizzati con componenti e materiali di qualità superiore, e assemblati da tecnici esperti, fieri del loro lavoro. Il gruppo del fornello e della valvola è stato collaudato contro le perdite di gas e il loro funzionamento è stato accertato presso una stazione di controllo qualità. Il grill è stato attentamente ispezionato da un tecnico qualificato prima dell'imballaggio per garantire a voi, i nostri clienti, la qualità che vi aspettate da NAPOLEON.

Qui alla Napoleon ci dedichiamo a voi, i nostri stimati clienti. Vogliamo offrirvi un'esperienza di cucina alla griglia indimenticabile. Questo manuale vi aiuterà a montare, installare e mantenere il vostro nuovo grill in maniera appropriata. Prima di utilizzare il nuovo grill è importante leggere e capire l'intero manuale e accertarsi di aver appreso pienamente tutte le precauzioni di sicurezza e le funzioni del grill. Quando seguirete con cura le istruzioni qui contenute vi assicurerete molti anni di uso spensierato. Se, per qualsiasi motivo, il grill non dovesse soddisfare le vostre aspettative, vi invitiamo a chiamare il nostro centro di assistenza al +1-866-820-8686 (numero verde valido solo in Nord America) tra le ore 15:00 e 23:00 (ora italiana) o a visitare il nostro sito Web.

Garanzia limitata del grill a gas Napoleon di President

NAPOLEON garantisce che i materiali e la manodopera del vostro nuovo grill a gas NAPOLEON saranno privi di difetti per 10 anni. Ciò include le parti in alluminio pressofuso (esclusa la vernice), il pannello di controllo in acciaio inossidabile (escluso il testo stampato), e i bruciatori in acciaio inossidabile. La garanzia è soggetta alle condizioni qui di seguito descritte. Durante i primi cinque anni NAPOLEON sostituirà le parti suddette a nostra discrezione e a nostre spese. Dal sesto al decimo anno NAPOLEON fornirà le parti di ricambio al 50% del prezzo normale di vendita al pubblico.

Gli inserti del coperchio e della base in acciaio inossidabile o porcellanati, e le maniglie del coperchio sono garantiti privi di difetti per 5 anni, secondo le condizioni seguenti: Durante i primi tre anni NAPOLEON sostituirà le parti suddette a propria discrezione e a proprie spese. Durante il quarto e il quinto anno NAPOLEON fornirà le parti di ricambio al 50% del prezzo normale di vendita al pubblico.

Tutti gli altri componenti quali le piastre per la scottatura degli alimenti in acciaio inossidabile o porcellanate, le griglie di cottura in acciaio inossidabile o in ghisa, le valvole e il sistema di accensione, i termostati, le manopole, i regolatori, le rotelle, le teglie scaldavivande, i tubi e i connettori, i dispositivi di fissaggio e gli accessori sono coperti da garanzia e NAPOLEON fornirà gratuitamente le parti di ricambio durante il primo anno della garanzia limitata.

NAPOLEON non si ritiene responsabile per qualsiasi spesa di trasporto, manodopera o dazi all'esportazione

Condizioni E Limitazioni

"NAPOLEON garantisce i suoi prodotti per i difetti di produzione solo del produttore originale, e provato che l'acquisto è avvenuto attraverso un rappresentante autorizzato NAPOLEON, la garanzia è soggetta alle seguenti condizioni e limitazioni:

Questa garanzia non è trasferibile e non può essere estesa a niente altro da nessun rappresentante.

La griglia a gas deve essere installata da un servizio tecnico autorizzato munito di regolare licenza.

L'installazione deve essere fatta secondo le normative di installazione come da istruzioni allegate al presente prodotto nonché secondo i regolamenti nazionali e locali vigenti.

Questa garanzia limitata non copre i danni causati da disuso, scarsa manutenzione, oli infiammabili, ambiente inadeguato, incidenti, alterazioni, abuso o negligenza e i danni su tutti i pezzi installati da altri montatori non autorizzati.

Questa garanzia limitata inoltre non copre i graffi, le ammaccature delle superfici verniciate, corrosione o decolorazione da calore, detergenti corrosivi o abrasivi nonché le crepe sulle parti in porcellana o su altri componenti usati per il montaggio della griglia.

Se il deterioramento di alcuni pezzi avviene entro il periodo della copertura garantita, il pezzo sarà sostituito.

Solo durante il primo anno questa garanzia è estesa alla sostituzione dei pezzi garantiti che sono difettosi per il materiale o per la lavorazione del prodotto come da istruzioni e in normali condizioni.

Dopo il primo anno, nel rispetto della presente garanzia limitata, NAPOLEON può a sua discrezione, esonerarsi totalmente da ogni obbligazione rifondendo al garantito principale l'intero prezzo di ogni parte purché si riscontri il difetto.

NAPOLEON non sarà responsabile per l'installazione, manodopera e altri costi o spese relative alla re-installazione di pezzi garantiti poiché queste spese non sono coperte da garanzia.

Nonostante le disposizioni contenute nella presente garanzia a vita limitata del Presidente, la responsabilità di NAPOLEON è definita come sopra e non si applica ad eventi incidentali, consequenziali o indiretti.

Questa garanzia definisce le obbligazioni e le responsabilità di NAPOLEON per ciò che concerne la griglia a gas NAPOLEON, tutte le altre garanzie espresse o implicite per ciò che riguarda il prodotto, i suoi componenti e accessori, sono escluse.

NAPOLEON non si assume alcuna responsabilità per danni causati da terzi non autorizzati alla vendita del prodotto.

NAPOLEON non sarà responsabile per incendi dolosi, scoppi, dovuti a condizioni ambientali come vento forte o ventilazione inadeguata.

NAPOLEON non risponde per danni alla griglia a gas dovuti a condizioni climatiche come: grandine, maltrattamenti, danni chimici o da detergenti.

La fattura di acquisto o copia sono richieste insieme al numero di serie o numero del modello ogni volta che si fa richiesta di garanzia alla NAPOLEON.

NAPOLEON si riserva i diritti di ispezionare di ogni prodotto o parti di questo prima di soddisfare la garanzia.

NAPOLEON non si assume alcun costo di trasporto, costo di lavorazione o tasse doganali.

NAPOLEON garantisce i difetti dei seguenti materiali e lavorazioni della tua nuova griglia a gas NAPOLEON per tutto il tempo che tu avrai la griglia a gas.



ATTENZIONE! Se le informazioni di queste istruzioni non sono seguite in modo esatto potrebbe verificarsi un' esplosione che causerà seri danni a cose e persone o morte.

REGOLE DA SEGUIRE PER UN FUNZIONAMENTO SICURO

- L'installazione deve essere effettuata esattamente secondo le istruzioni di installazione accluse al prodotto. Se il grill è stato assemblato in negozio, sarà comunque necessario rivedere, prima di utilizzare il grill, le procedure di assemblaggio per verificarne la corretta esecuzione e comunque effettuare il collaudo contro le perdite di gas.
- Leggere tutto il manuale di istruzioni prima di utilizzare il grill.
- Il grill non deve essere alterato in nessuna circostanza.
- Seguire con attenzione le istruzioni di accensione.
- Quando il grill non è in uso è necessario chiudere la valvola della bombola di propano o la valvola di alimentazione del gas naturale.
- Tenere lontani dal grill caldo i bambini e gli animali domestici, e NON consentire ai bambini di arrampicarsi nell'armadietto.
- Verificare sempre che i bambini non giochino con il grill.
- Il grill non deve essere utilizzato da persone (inclusi bambini) con capacità fisiche, sensoriali o mentali ridotte, oppure inesperte, a meno che queste non ricevano supervisione o istruzioni specifiche per l'uso del grill da parte di un responsabile per la loro sicurezza.
- Non lasciare il grill incustodito durante l'uso.
- Non muovere il grill quando caldo o acceso.
- Il grill è inteso per un uso esclusivamente domestico.
- Il grill non deve essere installato su veicoli e/o su barche.
- Il grill deve essere riposto solo all'aperto, in una zona ben ventilata e non deve essere utilizzato all'interno di edifici, garage o aree chiuse.
- Mantenere una distanza adeguata da materiali combustibili (41 cm dal retro dell'unità, 18 cm dai lati). Si raccomanda di tenere una distanza ancora maggiore (61 cm) nella vicinanza di rivestimenti in vinile o di vetrate di grandi dimensioni.
- Assicurarsi che le aperture di ventilazione del vano della bombola siano sempre prive di ostruzioni e rifiuti.
- Non porre il grill sotto una costruzione infiammabile non protetta.
- Gli ambienti molto ventosi possono influire negativamente sulle prestazioni del grill.
- Quando il grill viene riposto all'interno di una costruzione, la bombola di propano deve essere scollegata dal grill e risposta in una zona esterna ben ventilata. Le bombole non devono essere riposte all'interno di edifici, garage o altre zone chiuse. Quando il grill viene riposto all'interno di una costruzione è necessario scollegare le unità a gas naturale.
- Ispezionare il tubo di alimentazione del gas prima di ogni uso. In presenza di eccessiva abrasione o usura, prima di utilizzare nuovamente il grill è necessario sostituire il tubo con il kit specificato dal fabbricante.
- Non riporre mai una bombola di gas propano liquido di riserva sotto o vicino al grill.
- Non riempire mai il cilindro oltre l'80% della sua capacità totale.
- Non utilizzare una bombola sprovvista di un connettore di tipo QCC1.
- Prima del primo utilizzo, verificare che non vi siano perdite in alcuno dei punti di connessione (anche nel caso di acquisto di grill già montato). Ripetere la verifica ogni anno, o ogni qualvolta venga sostituito un qualsiasi componente del gruppo di alimentazione del gas.
- Non usare mai gas naturale in unità intese per gas propano.
- Non usare mai un liquido accenditore per avviare il grill.
- Utilizzare i bricchetti per carbonella solo con un vassoio apposito di Napoleon progettato per il grill specifico.
- Le manopole dei fornelli devono essere spente quando si apre la bombola del gas.
- Non accendere i fornelli quando il coperchio del grill è chiuso.
- Non operare contemporaneamente il fornello posteriore e quello principale.
- Durante il preriscaldamento è necessario chiudere il coperchio.
- Non far passare il tubo sotto il vassoio di scolo – mantenere una distanza appropriata dalla parte inferiore dell'unità.
- Pulire con regolarità il vassoio di raccolta dei grassi per evitare la formazione di incrostazioni, possibile causa di incendi.
- Rimuovere la teglia scaldavivande prima di accendere il fornello posteriore, per evitare che l'intenso calore la possa danneggiare.
- Verificare che le piastre per la scottatura degli alimenti siano correttamente posizionate, come da istruzioni.
- Non riporre sui ripiani laterali liquidi di accensione, fiammiferi o qualsiasi altro tipo di combustibile.
- Tenere il tubo di alimentazione del gas lontano da superfici calde.
- Tenere i cavi elettrici lontani da acqua o superfici calde. Ispezionare periodicamente i tubi Venturi del fornello a infrarossi e verificare che non siano presenti ragnatele o altre ostruzioni. In caso di ostruzioni, pulire con cura i tubi.
- Il grill a gas per esterni e la relativa valvola di chiusura devono essere scollegati dai tubi di alimentazione del gas durante i collaudi di pressione di tali tubi, quando la pressione di collaudo supera 0,5 psi (3,5 kPa).
- Il grill a gas per esterni deve essere isolato dai tubi di alimentazione del gas chiudendo la relativa valvola di chiusura durante qualsiasi collaudo della pressione dei tubi del gas, quando tale pressione è uguale o minore di 0,5 psi (3,5 kPa).



Corretto smaltimento del prodotto

Questo simbolo indica che il prodotto non deve essere smaltito come un qualsiasi rifiuto domestico, in nessun paese dell'Unione Europea. Per evitare possibili danni all'ambiente o alla salute umana causati da uno smaltimento non controllato, si prega di riciclare il prodotto in modo da incoraggiare il riutilizzo sostenibile di risorse materiali. Per restituire l'apparecchio usato, utilizzare i sistemi di restituzione e raccolta oppure contattare la rivendita dove il prodotto è stato originariamente acquistato. Il rivenditore si occuperà di smaltire il prodotto in maniera sicura per l'ambiente.

Bombola Del Gas

Utilizzare esclusivamente bombole del gas conformi alle norme nazionali e regionali applicabili. Il peso minimo della bombola è pari a 13 kg per le unità a butano e a 6 kg per quelle a propano. Verificare che la bombola sia in grado di alimentare sufficientemente l'apparecchio. In caso di dubbi, rivolgersi al fornitore di gas locale.

- Prestare attenzione mentre si maneggia la valvola della bombola.
- Non collegare mai una bombola non conforme alle norme locali.

Tutte le bombole di peso superiore a 7 chili devono essere riposte all'esterno del vano (sotto la mensola laterale destra) su un terreno pianeggiante. Le bombole di peso inferiore a 7 chili (dimensione massima 465 mm altezza, 306 mm larghezza) possono essere riposte all'interno del vano, nella parte destra della mensola inferiore. Solo le bombole collegate all'apparecchio possono essere alloggiare nel vano, o vicine all'apparecchio. Le bombole di scorta non devono essere riposte nel vano o nelle vicinanze di un apparecchio in funzione. Le bombole non devono essere esposte a forte calore o alla luce diretta del sole.



ATTENZIONE! Assicurarsi che il tubo sia disposto in modo da mantenere spazio libero sotto l'unità. I tubi a contatto con superfici a temperature elevate possono fondersi e perdere, provocando incendi.

Collegamento Della Bombola: Verificare che il tubo regolatore del gas non sia attorcigliato. Togliere il tappo o il cappuccio dalla valvola di alimentazione della bombola. Stringere il regolatore sulla valvola della bombola. *Prima di usare il barbecue, verificare che non ci siano perdite in alcun raccordo.* Eseguire questa verifica una volta all'anno, ogni volta che si collega una bombola o che si sostituisce una parte del sistema.



ATTENZIONE!

- Non far passare il tubo sotto il vassoio di scolo dei grassi.
- Non far passare il tubo nello spazio tra il ripiano inferiore e il pannello posteriore.
- Non far passare il tubo lungo la parte superiore del pannello posteriore.
- Assicurarsi di serrare tutti i punti di connessione dei tubi con l'aiuto di due chiavi inglesi. Non usare nastro di teflon o sigillanti per le connessioni.
- Assicurarsi che il tubo non venga a contatto con superfici molto calde – potrebbe fondersi e perdere gas, provocando un incendio.
- Non riporre il tubo in eccesso nel vano della bombola: le probabilità di contatto con una superficie calda sono maggiori e il tubo potrebbe fondersi, perdere e provocare un incendio.

Tubo Del Gas

- Se il tubo e il regolatore non sono forniti dal fabbricante, utilizzare esclusivamente tubi e regolatori conformi alle norme nazionali e regionali applicabili.
- Assicurarsi che il tubo non entri a contatto con unto, grasso caldo gocciolante o superfici calde dell'apparecchio.
- Verificare regolarmente il tubo. In caso di strappi, fusione o usura, sostituire il tubo prima di usare l'apparecchio.
- La lunghezza raccomandata del tubo è pari a 0,5 m e non deve superare 1,5 m.
- Durante l'installazione, verificare che il tubo non sia attorcigliato o intrecciato.
- Sostituire il tubo prima della data di scadenza stampata sul tubo stesso.

Regolatore

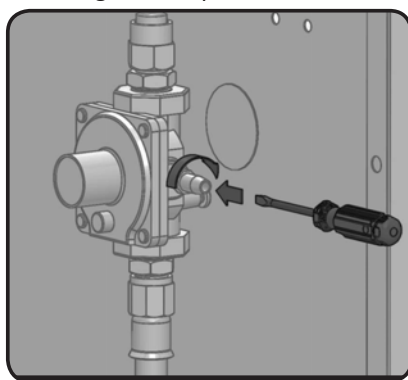
La tabella seguente elenca i valori di ingresso per l'apparecchio.

Ruciatore	Dimensioni Foro	Portata Termica (Globale) (Totale)	Consumo Gas (Totale)
Principale	1.07mm (#58)	16.0 kw	1160 g/hr
Laterale	0.82mm	2.4 kw	174 g/hr

Gas/pressioni certificati: controllare che i dati indicati sulla targa corrispondano all'elenco seguente.

Categoria gas	'3B/P(30)	'3+(28-30/37)	'3B/P(37)	'3B/P(50)
Gas / Pressioni	Butano 30mbar Propano 30mbar	Butano 28-30mbar Propano 37mbar	Butano 37mbar Propano 37mbar	Butano 50mbar Propano 50mbar
Paesi	BE, BG, CY, DK, EE, FI, FR, GB, HR, HU, IS, IT, LT, LU, MT, NL, NO, RO, SE, SI, SK, TR	BE, CH, CY, CZ, ES, FR, GB, GR, IE, IT, LT, LU, LV, PT, SK, SI	PL	AT, CH, DE, SK

Non manomettere o modificare il regolatore. Utilizzare unicamente un regolatore in grado di erogare la pressione richiesta – vedi tabella qui sopra. Utilizzare un regolatore da 28 – 30 mbar nel caso di butano, o uno da 37 mbar nel caso di propano. Il grill è dotato di un regolatore interno. Questo eroga una pressione di uscita pari a 24,5 mbar per propano/butano e non deve essere modificato o regolato. Dovesse rendersi necessario ottenere un ricambio, utilizzare unicamente il regolatore specificato dal fabbricante.



Questa unità include un regolatore per stabilizzare la pressione del gas e migliorare le prestazioni del grill. Il regolatore non deve essere manomesso. Nella parte laterale del regolatore si trova un rubinetto di regolazione della pressione. Questo rubinetto può essere utilizzato unicamente da personale qualificato per la manutenzione del grill, al fine di determinare se il regolatore stia funzionando correttamente. La vite in prossimità del rubinetto deve essere sempre lasciata fermamente chiusa, eccetto durante il controllo della pressione (da parte di personale qualificato).

Istruzioni Per Verifica Fughe Di Gas



ATTENZIONE! Ciò deve essere fatto prima dell'utilizzo iniziale, annualmente e ogni volta che i componenti sono stati utilizzati.



ATTENZIONE! Non usare una fiamma per testare eventuali fughe di gas. Non fumare mentre eseguite il test e togliete ogni fonte di calore.



Verifica Fughe Di Gas: Ciò deve essere fatto prima dell'utilizzo iniziale, annualmente e ogni volta che i componenti sono stati utilizzati. Non fumare mentre eseguite il test e togliete ogni fonte di calore. Controllare il diagramma per aree di test :



Connettere la bombola da 500g al regolatore della griglia, o se usate tubi alternativi, connetterli alla valvola della bombola e al regolatore della griglia. Assicuratevi che il regolatore sia in posizione CHIUSO/OFF e girate la valvola su ON.

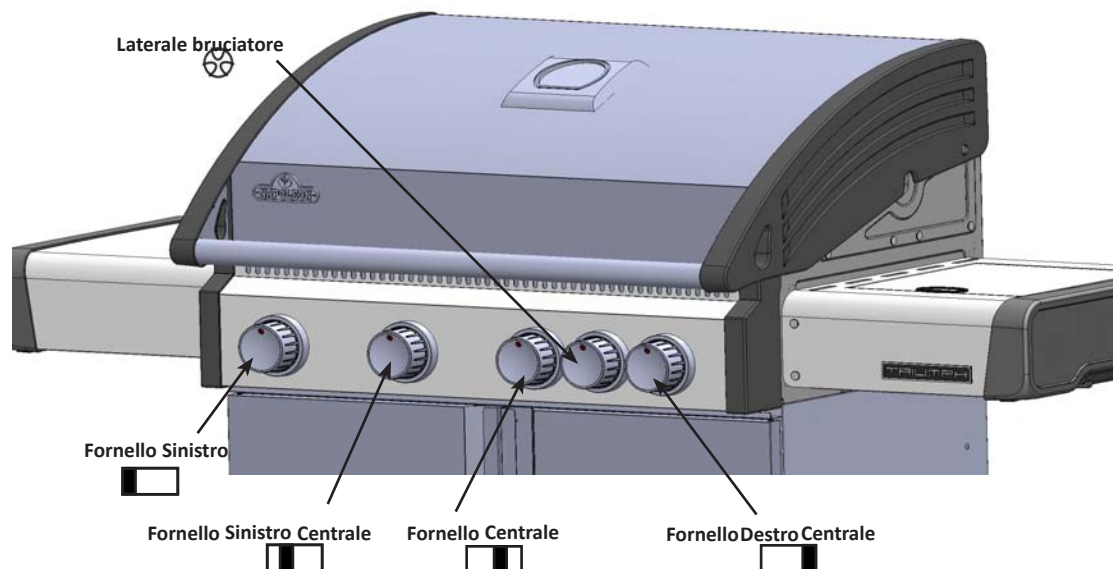


Spazzolate le giunture con una soluzione mezza acqua e mezza sapone. Quando utilizzate tubi alternativi spazzolate con la soluzione mezza acqua e mezza sapone su ogni estremità del tubo.

Eventuali bolle indicano una perdita di gas. Stringete il giunto allentato o sostituitelo con un pezzo nuovo raccomandato dal vostro rivenditore.

Se la perdita non può essere riparata, scollegate la bombola da 500g oppure chiudete la valvola della bombola da 9kg, e fate ispezionare il vs. barbecue dal vostro fornitore di gas. Non utilizzare l'impianto prima che la fuga sia stata riparata.

Chiudere il gas.



ATTENZIONE! Aprire il coperchio.

Posizione di riposo



ATTENZIONE! Dopo aver verificato che i controlli dei fornelli siano spenti, aprire la valvola di alimentazione del gas.

Accensione Fornello Principale	Accensione Fornello Posteriore (Se Disponibile)	Accensione Fornello Laterale (Se Disponibile)
1. Aprire il coperchio.	1. Aprire il coperchio.	1. Aprire il coperchio del fornello laterale.
2. Spingere e girare lentamente la manopola di uno dei fornelli principali fino alla posizione 'high'. In questo modo si avvierà il pilota che, a sua volta, accenderà il fornello desiderato. Se il pilota si avvia, tenere la manopola premuta fino all'accensione del fornello, quindi rilasciarla.	2. Togliere la teglia scaldavivande.	2. Spingere e girare lentamente la manopola del fornello laterale fino alla posizione 'high'. In questo modo si accenderà il fornello laterale
3. Se il pilota non si accende, riportare immediatamente la Manopola alla posizione 'off' e ripetere il passaggio 2 più volte.	3. Spingere e girare lentamente la Manopola del fornello per Rosticceria fino alla posizione 'high'. In questo modo si avvierà il Pilota che, a sua volta, Accenderà il fornello Desiderato. Se il pilota si avvia, Tenere la manopola premuta fino All'accensione del fornello, Quindi rilasciarla.	3. Se il fornello non si Avvia, riportare immediatamente la manopola alla posizione 'off' e ripetere il passaggio 2 più volte.
4. Se il pilota e il fornello non si accendono entro 5 secondi, portare la anopola nella posizione 'off' e attendere per 5 minuti fino alla dispersione del gas in eccesso. Quindi ripetere i passaggi 2 e 3 o usare un fiammifero.	4. Se il fornello non si Avvia, riportare Immediatamente la manopola alla posizione 'off' e ripetere il passaggio 3 più volte.	4. Se il fornello non si Accende entro 5 secondi, Portare la manopola nella Posizione 'off' e attendere per 5 minuti fino alla dispersione del gas in eccesso. Quindi ripetere i passaggi 2 e 3 o usare un fiammifero.
5. Nel caso di accensione con fiammifero, agganciarlo al supporto metallico provvisto. Portare il fiammifero acceso verso il basso, tra la griglia e la piastra di scottatura, e contemporaneamente spostare la manopola su 'High'.	5. Se il fornello non si accende entro 5 secondi, portare la manopola nella posizione 'off' e attendere per 5 minuti fino alla Dispersione del gas in eccesso. Quindi ripetere i passaggi 3 e 4 o Usare un fiammifero..	



IT

Funzionamento Del Grill

Quando accesa per la prima volta, la griglia a Gas emette un leggero odore. Si tratta di una condizione temporanea normale causata dalle “ bruciatore ” delle parti interne , vernici e lubrificanti usati nel processo di fabbricazione e non succederà più. Semplicemente mantenete i bruciatori in posizione HIGH per circa mezz'ora.

Utilizzo Del Bruciatore Principale: Quando grigliate il cibo, è meglio pre riscaldare tutti i bruciatori principali in posizione HIGH a coperchio chiuso per circa 10 minuti. Il cibo che cuoce in breve tempo (pesce, verdure) può essere grigliato a coperchio aperto. Cucinare con il coperchio chiuso assicurerà alte temperature per più tempo e ciò ridurrà i tempi di cottura e la carne si cuocerà più uniformemente. Il cibo che ha un tempo di cottura più lungo di 30 minuti, per esempio arrostiti, potrà essere cucinato indirettamente (con il coperchio del bruciatore di fronte al cibo). Quando si cuoce della carne molto magra, come petti di pollo, fettine di maiale, le griglie possono essere oliate prima del pre riscaldamento per ridurre l'attaccamento del cibo su di esse. Cucinando la carne con alto contenuto di grassi, si potrebbero creare fiammate. Per prevenirle si tolga un po' del grasso o si riduca la temperatura. Nel caso si verifichi una fiammata, togliere il cibo dalla griglia, ridurre la temperatura, lasciare il coperchio aperto.

Cottura Diretta: Porre il cibo direttamente sulla fonte di calore. Questo tipo di cottura viene generalmente usato per scottare velocemente gli alimenti o per cibi che non richiedono lunghi tempi di cottura – hamburger, bistecche, pollo a pezzi, verdure, ecc. Scottare il cibo per sigillare i liquidi e il sapore; abbassare quindi la temperatura per completare la cottura a piacere.

Cottura Indiretta: Accendere uno o più fornelli e posare il cibo da cucinare sopra uno dei fornelli spenti. Il calore circola attorno al cibo, cuocendolo lentamente e in maniera uniforme. Questo tipo di cottura è molto simile a quello al forno e viene generalmente utilizzato per tagli di carne più grandi, ad esempio arrostiti, pollo o tacchino, ma può anche venire utilizzato per la preparazione di cibi che possono bruciarsi facilmente. Questo metodo di cottura a bassa temperatura e più lento assicura cibi sempre morbidi.

Utilizzo Del Bruciatore Posteriore: (Se disponibile) Rimuovere la grata di riscaldamento prima di usarlo. Le grate di cottura possono essere rimosse se interferiscono la rosolatura. Il bruciatore posteriore è progettato per essere usato insieme al kit di rosolatura disponibile presso il tuo rivenditore. Osservare le istruzioni del kit di rosolatura prima dell'uso. Per mettere il contrappeso sul bruciatore posteriore togliete il motore del rosolatore dal suo supporto. Mettete il lo spiedo con la carne sui due supporti all'interno del grill. Il pezzo di carne si posizionerà automaticamente con la parte più pesante verso il basso. Fissate lo spiedo e posizionatelo verso l'alto. Bilanciate il peso verso l'alto o verso il basso al fine di controbilanciare il peso della carne , poi lasciatela riposare . Rimettete il motore e cominciate la cottura. Mettete un piatto sotto la carne per recuperare il sugo di cottura che servirà per rosolare la carne e ottenere così una deliziosa salsa naturale. Si può anche aggiungere un po' di acqua se necessario per favorire la rosolatura. Al fine di catturare il sugo della carne , regolate il bruciatore posteriore nella posizione HIGH finché non rosolerà poi riducete il calore per una cottura completa. Tenete il coperchio chiuso per ottenere migliori risultati. I vostri arrostiti saranno perfettamente dorati all'esterno e resteranno teneri all'interno Per esempio , un pollo di 3 kg sullo spiedo sarà cotto in 1.30 minuti ad una temperatura medio/alta. Vedere il vs. libro d ricette per tutte le stagioni NAPOLEON.



ATTENZIONE! La salsa BBQ e il sale sono molto corrosivi e causano il deterioramento rapido della vostra griglia a meno che voi non facciate una pulizia regolare.

Utilizzo Del Fiamma Bruciatore Laterale: (Se disponibile) IL vostro bruciatore laterale può essere utilizzato come un fornello normale, per salse, sughi e minestre etc... La griglia deve essere messa in maniera che il vento non disturbi la cottura laterale riducendone le potenzialità. Il diametro suggerito della vaschetta è di 60- 220 millimetri.



ATTENZIONE! Non cucinare mai il cibo direttamente sulla piastra del fornello laterale. Questa deve essere unicamente usata con padelle e pentole.



ATTENZIONE! Non chiudere il coperchio del fornello laterale quando questo è caldo o quando è in funzione.

ATTENZIONE! Non utilizzare il fornello laterale per friggere, poiché la frittura può creare condizioni pericolose.

Istruzioni Per La Manutenzione E La Pulizia

Si raccomanda di far ispezionare il barbecue a gas e di sottoporlo a manutenzione una volta all'anno da un tecnico di assistenza qualificato.



ATTENZIONE! Si raccomanda di indossare guanti da lavoro e occhiali di protezione during la pulizia.



ATTENZIONE! Assicuratevi che i bruciatori siano spenti prima di pulirli. Evitate di toccare tutte le superfici calde. Pulite la vostra griglia in posti dove i detersivi non possano rovinare il vostro pavimento, terrazzo o altro. Non utilizzate i prodotti per la pulizia del forno, per pulire la vostra griglia. La salsa BBQ e il sale sono molto corrosivi e causano il deterioramento rapido della vostra griglia a meno che voi non facciate una pulizia regolare.



Nota: l'acciaio inossidabile può arrugginire o macchiarsi quando in presenza di cloruri e di solfuri, particolarmente nelle zone costiere e in altri ambienti difficili, come ad esempio in prossimità dell'atmosfera calda e ad alta umidità creata dalle piscine e dalle vasche da idromassaggio. Queste macchie possono sembrare ruggine, ma è facile rimuoverle e prevenirne l'occorrenza. Per evitare la formazione di macchie, lavare tutte le superfici in acciaio con acqua fresca e un detersivo specifico ogni 3-4 settimane, o quando necessario.



ATTENZIONE! Chiudete il gas e disconnettete l'unità prima dell'uso. La manutenzione dovrebbe essere fatta solo quando la griglia è fredda per evitare possibili scottature. Un test di perdite di gas deve essere fatto annualmente e ogni volta che un componente viene riparato o sostituito.

Griglie e teglia scaldavivande: La pulizia delle griglie e della teglia scaldavivande è più efficace quando effettuata, durante il preriscaldamento, con una spazzola metallica. Nel caso di macchie resistenti è possibile utilizzare una paglietta metallica. È normale che le griglie in acciaio inossidabile (se il proprio grill ne è dotato) subiscano una colorazione permanente a seguito di un utilizzo regolare, a causa delle alte temperature della superficie di cottura.

Griglie di cottura in ghisa: Le griglie di cottura in ghisa fornite con il vostro nuovo grill sono caratterizzate da eccellente ritenzione e distribuzione del calore. Il trattamento regolare delle griglie fornisce un rivestimento protettivo aggiuntivo, utile per resistere alla corrosione e per aumentare le caratteristiche di antiaderenza delle griglie.

Primo utilizzo: Lavare le griglie di cottura a mano, utilizzando un detersivo non aggressivo e acqua per eliminare i residui del processo di fabbricazione (non lavare mai in lavastoviglie). Sciacquare con abbondante acqua calda ed asciugare accuratamente con un panno morbido, per evitare che l'umidità penetri nella ghisa.

Trattamento: Con l'aiuto di un panno morbido, cospargere di OLIO VEGETALE tutta la superficie della griglia, verificando che ne siano ricoperte tutte le scanalature e gli angoli. Non utilizzare sostanze grasse salate quali il burro o la margarina. Preriscaldare il grill per 15 minuti, quindi posizionare le griglie lubrificate nel grill. Girare le manopole di controllo del fornello sulla posizione 'medium', lasciando il coperchio chiuso. Riscaldare le griglie di cottura per circa 30 minuti. Riportare tutte le manopole in posizione "OFF" e chiudere il rubinetto del gas della bombola. Lasciare raffreddare le griglie. Ripetere questa procedura diverse volte durante la stagione d'uso (nel caso di un utilizzo giornaliero, seguire le procedure indicate sotto).

Utilizzo giornaliero: Prima di procedere al preriscaldamento e alla pulizia con la spazzola metallica, rivestire l'intera superficie delle griglie di cottura con OLIO VEGETALE. Procedere in seguito al preriscaldamento del grill e quindi all'eliminazione degli eventuali residui con la spazzola metallica.

Griglie di cottura in acciaio inossidabile (disponibili in un kit aggiuntivo: vedere l'elenco dei ricambi) – Le griglie di cottura in acciaio inossidabile sono resistenti all'uso e alla corrosione. Richiedono minore trattamento e manutenzione rispetto alle griglie in ghisa. Si raccomanda di seguire le procedure di manutenzione giornaliera descritte sopra, per quanto – per le proprie necessità personali – possano essere sufficienti il preriscaldamento e la pulizia delle griglie con una spazzola metallica.

Pannello di controllo: il testo del pannello di controllo si trova stampato direttamente sul metallo e, con una cura appropriata, rimarrà chiaramente leggibile. Per pulire il pannello utilizzare unicamente acqua saponata tiepida o il pulitore per acciaio della marca Continental, disponibile presso i rivenditori Napoleon. Non utilizzare mai prodotti di pulizia abrasivi sulle superfici in metallo, specialmente sul pannello di controllo; in caso contrario, il testo stampato – con il passare del tempo – si sbiadirà.

Pulizia Dentro La Griglia A Gas: Rimuovere la grata. Usare una spugna metallica soffice per pulire dai detriti i bordi e internamente al coperchio. Grattare via le incrostazioni con un coltellino e spugnetta ruvida e usare la spugna per rimuovere la cenere. Togliere la placca del bruciatore e pulirla dalle incrostazioni con l'aiuto della spugnetta ruvida. Rimuovete tutte le incrostazioni che si trovano dentro la griglia e fatele cadere sotto il pannello di raccolta. Il pannello di raccolta dovrà essere pulito con l'aiuto di un coltello o di una spugnetta ruvida, questo sarà ogni due o quattro settimane secondo la frequenza di utilizzo della griglia. Per comprare un nuovo contenitore rivolgetevi al rappresentante di zona di rivenditori. Assicuratevi di rimettere le placche nelle loro posizioni. (consultate le istruzioni di montaggio se necessario per il posizionamento corretto).

Luci: per rimuovere la lente dall'alloggiamento, inserire la punta di un cacciavite piatto tra la lente e l'alloggiamento, e muoverlo leggermente. Non toccare la lampadina alogena: gli olii naturali della pelle ne riducono la vita. Per pulire la lente, immergerla in acqua calda saponata quindi pulirla con uno straccio e un detersivo non abrasivo. Per reinserire la lente, incastrarla direttamente nel suo alloggiamento.

Sgocciolatoio: sfilate lo sgocciolatoio per una pulitura più facile, dovrebbe essere pulito frequentemente, (ogni 4/5 utilizzi) per evitare che il grasso si deponga. Il grasso in eccesso e eccessive sgocciolate passano attraverso lo sgocciolatoio fin sotto la griglia. Ciò può fare succedere fiammate. Non stendete fogli di carta in alluminio o sabbia. Questo vassoio dovrebbe essere cambiato ogni 2 o 4 settimane, dipende dalla frequenza di utilizzo della griglia. Per forniture veder il vostro rivenditore NAPOLEON., poste sotto la griglia a gas e accumulate.

Pulizia Esterna Della Griglia: non utilizzare prodotti abrasivi per pulire le parti verniciate o in acciaio inossidabile. Utilizzate una soluzione di sapone e acqua calda per pulire l'esterno della griglia mentre è ancora tiepida. Per pulire le superfici in acciaio inossidabile utilizzate un prodotto di pulizia per acciaio inossidabile o un prodotto di pulizia multi uso senza abrasivi. Non usate lana di acciaio per non graffiare la superficie. I pezzi in acciaio inossidabile si scoloriranno per effetto del calore e prenderanno un colore bruno o dorato. La decolorazione non diminuirà le potenzialità della griglia.



ATTENZIONE! Tubo: Controllate le eventuali abrasioni, colature, tagli e crepe. Se una di queste condizioni si verifica non usate la griglia. Sostituite il pezzo dal vostro rivenditore o installatore del gas.

Brucciatoie: Il bruciatore è fatto di acciaio inossidabile 304, ma a causa del calore e di un ambiente corrosivo si potrebbe corrodere in superficie. Togliete l'effetto corrosione con l'aiuto di una spugna in latta. Pulite i fori con l'aiuto di un bastoncino di carta. Non allargate i fori del bruciatore.

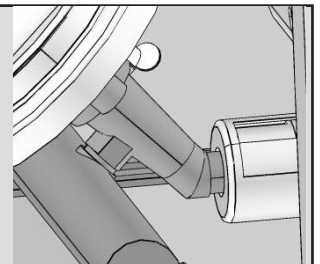


ATTENZIONE! Si guarda da dei ragni

I ragni e gli insetti sono attirati dall'odore del propano e del gas naturale. Il bruciatore è munito di una griglia contro gli insetti che protegge le prese d'aria e riducono così il rischio di annidamenti dentro il bruciatore, ma ciò non è efficace al 100%. I nidi dei ragni produrranno una fiammata arancione o gialla e causerà dei fumi sul pannello di controllo. Per pulire l'interno del bruciatore dovete staccarli dalla griglia. Sfilate le viti che si trovano al di sotto del bruciatore e dietro il bruciatore modello 308, o sopra il bruciatore alla sinistra e alla destra del bruciatore modello 450. Sollevate il retro del bruciatore verso l'alto. Utilizzate un pezzo di tubo flessibile venturi per pulire l'interno. Fate uscire tutte le incrostazioni che si trovano all'interno del bruciatore. Assicuratevi che la griglia sia ben fissata e libera da tutte le briciole e le incrostazioni. Verificate che i fori delle valvole siano pulite. Non allargare i fori. Rimontare il bruciatore. Controllate che le valvole infilino il bruciatore mentre lo montate.



AVVERTENZA! Dopo la pulizia dei fornelli è estremamente importante verificare che la valvola/il foro siano dentro al tubo del fornello prima di accendere il grill. Se la valvola non si trova all'interno del tubo potrebbe verificarsi un incendio o un'esplosione.



Placca In Alluminio: Pulite la placca in alluminio periodicamente con una soluzione acqua sapone calda. L'alluminio non si rovinerà mai, ma con il calore elevato e altri effetti climatici potrebbe ossidarsi. In questo caso si formeranno delle chiazze bianche sopra la placca. Per pulire la placca, strofinatela con l'aiuto di carta vetrata fine. Strofinatela superficie e pitturatela con una vernice per alte temperature. Proteggetela dai vapori della pittura. Seguite le istruzioni scritte sulla bomboletta di vernice.

Risoluzione Dei Problemi

Problema	Cause possibili	Soluzione
Con la manopola impostata su 'Hi', viene erogato poco calore o la fiamma è bassa.	<p>Grill a propano – incorretta procedura di accensione.</p> <p>Grill a gas naturale– tubo di alimentazione di misura incorretta.</p> <p>Per entrambi i gas/pre-riscaldamento improprio.</p>	<p>Seguire con attenzione le procedure di accensione. Tutte le manopole di accensione devono trovarsi nella posizione 'off' al momento dell'apertura della valvola del gas alla sorgente. Aprire lentamente la bombola per consentire alla pressione di stabilizzarsi. Fare riferimento alle istruzioni relative all'accensione.</p> <p>Le dimensioni dei tubi devono essere conformi alle norme di installazione.</p> <p>Preriscaldare il grill lasciando entrambi i fornelli principali impostati su 'Hi' per 10-15 minuti.</p>
Fiammate accessive/calore non uniforme.	<p>Preriscaldamento incorretto.</p> <p>Eccessive incrostazioni di grasso e di cenere sulle griglie di scottatura e sul vassoio di scolo.</p>	<p>Preriscaldare il grill lasciando entrambi i fornelli principali impostati su 'Hi' per 10-15 minuti.</p> <p>Pulire con regolarità le piastre e il vassoio di scolo. Non ricoprire il vassoio di scolo con foglio di alluminio. Fare riferimento alle istruzioni di pulizia.</p>
La fiamma dei fornelli è gialla ed è accompagnata dall'odore di gas.	Possibile presenza di ragnatele o altro sporco, o regolazione incorretta della valvola dell'aria.	Pulire accuratamente il fornello per eliminare lo sporco. Fare riferimento alle istruzioni generali di manutenzione. Aprire leggermente la valvola dell'aria secondo le istruzioni di regolazione dell'aria per la combustione.
Il regolatore emette un ronzio quando il grill è in funzione.	Condizione normale nei giorni caldi.	Non si tratta di un difetto. Il ronzio è dovuto alle vibrazioni interne nel regolatore e non compromette il corretto funzionamento o la sicurezza del grill. I regolatori che emettono ronzii non vengono sostituiti.
Non tutti i fori dei fornelli si accendono.	Ugelli otturati nella parte posteriore del fornello.	Pulire gli ugelli. Fare riferimenti alle istruzioni di manutenzione.
Sembra che la vernice si stia spelando all'interno del coperchio.	Accumulo di grasso sulle superfici interne.	Non si tratta di un difetto. Il coperchio e la cappa hanno una finitura in acciaio inossidabile e non si spelano. La spelatura è dovuta al grasso indurito, che si secca in scaglie che poi si staccano. Pulire il grill con regolarità. Fare riferimento alle istruzioni sulla pulizia.

Come Ordinare Parti Di Ricambio

Informazioni Sulla Garanzia

MODELLO: _____

DATA DI ACQUISTO: _____

NUMERO DI SERIE: _____

(Per comodità, annotare qui le informazioni)

Prima di contattare il centro di assistenza, visitare il sito di NAC per maggiori informazioni sulla pulizia, la manutenzione, la risoluzione dei problemi e le istruzioni su come richiedere parti di ricambio: www.napoleongrills.com. Contattare direttamente la fabbrica per le richieste di intervento e riparazione in garanzia. Il centro di assistenza ai clienti è disponibile tra le ore 15:00 e 23:00 – ora italiana – al numero verde +1-866-820-8686 (numero valido solo in Nord America) o via fax, al numero +1-705-727-4282. Affinché Napoleon possa onorare la vostra richiesta, dovrete fornirci le seguenti informazioni:

1. Modello e numero di serie dell'unità.
2. Numero della parte e descrizione.
3. Una breve descrizione del problema ('rotto' non è sufficiente).
4. Prova di acquisto (fotocopia della fattura).

In alcuni casi il tecnico potrebbe richiedere l'invio delle parti alla fabbrica, prima di provvedere alla sostituzione. L'invio, prepagato, deve avvenire all'attenzione del centro di assistenza con le seguenti informazioni:

1. Modello e numero di serie dell'unità.
2. Una breve descrizione del problema ('rotto' non è sufficiente).
3. Prova di acquisto (fotocopia della fattura).
4. Numero di autorizzazione alla restituzione – fornito dal centro di assistenza.

Prima di contattare il centro di assistenza è bene ricordare che i seguenti articoli non sono coperti dalla garanzia:

- costi di trasporto, intermediazione o dazi di esportazione
- costo della manodopera per disinstallazione e reinstallazione
- costo delle chiamate di servizio per l'individuazione dei problemi
- discolorazione delle parti in acciaio inossidabile
- mancato funzionamento della parte dovuto a mancanza di pulizia o manutenzione, o uso di detersivi inadatti (detersivi per forno)



ATTENZIONE! Durante il disimballaggio e l'assemblaggio, si raccomanda di indossare guanti da lavoro e occhiali di protezione. Nonostante siano state prese tutte le misure necessarie per rendere il processo di assemblaggio il più semplice e sicuro possibile, le parti fabbricate in acciaio hanno tipicamente bordi e angoli affilati che potrebbero causare tagli se maneggiate in modo errato durante il montaggio.

Come Iniziare

1. Rimuovere tutti i pannelli del carrello, la minuteria e il corpo del grill dall'imballaggio. Sollevare il coperchio e rimuovere i componenti che contiene. Fare riferimento all'elenco delle parti per verificare di aver ricevuto tutti i componenti.
2. Non eliminare l'imballaggio prima di aver finito di assemblare il grill e averne verificato il corretto funzionamento.
3. Montare il barbecue nel punto in cui si intende utilizzarlo e posare a terra il cartone o uno straccio per evitare di perdere le parti o danneggiare il grill.
4. La maggior parte delle parti in acciaio inossidabile è protetta da una sottile pellicola di plastica, da rimuovere prima di utilizzare il grill.
5. Seguire le istruzioni nell'ordine indicato in questo manuale.
6. Per sollevare il corpo del grill sul carrello montato sono necessarie due persone.

Per qualsiasi domanda sull'assemblaggio o il funzionamento del grill, o nel caso di parti danneggiate o mancanti, contattate il nostro centro di assistenza al numero +1-866-820-8686 (numero verde valido solo in Nord America) tra le ore 15:00 e 23:00 ora italiana

Attrezzi necessari per il montaggio (attrezzi non inclusi)

Chiave o cricchetto
da 3/8" and 5/8"



Un cacciavite piatto e
uno a croce



Pinze



Martello



FAX: +1 705 727 4282

MODULO DI ORDINAZIONE PER ACCESSORI E PARTI

SCRIVERE IN STAMPATELLO

NOME: _____

INDIRIZZO : _____

TEL : _____

FAX : _____

EMAIL: _____

NUMERO VISA MASTERCARD: _____ DATA DI SCADENZA: _____

FIRMA: _____

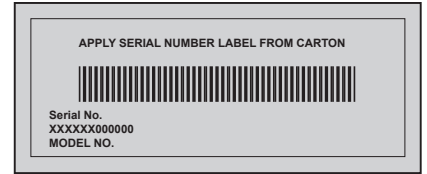
QUANTITÀ	NUMERO DELLA PARTE	DESCRIZIONE

POTREBBERO ESSERE APPLICATE TASSE
SPESE DI SPEDIZIONE NON INCLUSE

PER RICEVERE UN AVVISO DI RICEZIONE, INDICARE UN NUMERO DI FAX O UN INDIRIZZO E-MAIL

IT

Tätä grilliä saa käyttää vain hyvin ilmastoiduissa ulkotiloissa. Sitä ei saa käyttää sisätiloissa, autotalleissa, lasitetuilla tai muulla tavoin suljetuilla terasseilla, huvimajoissa tai muissa suljetuissa tiloissa.



495, 495SB



HUOMIO

MIKÄLI HAISTAT KAASUN HAJUN:

- Sulje välittömästi kaasuntulo laitteeseen.
- Sammuta kaikki avotuli.
- Avaa grillikupu.
- Mikäli kaasunhaju jatkuu, pysy kaukana grillistä ja soita joko laitteen maahantuoijalle, kaasupullojen myyjälle tai palon sattuessa palolaitokselle.



VAROITUS

Älä sytytä grilliä ennen kuin olet lukenut sytytysohjeet käyttöohjeesta.

Älä säilytä mitään syttyviä tai höyrystyviä nesteitä laitteen läheisyydessä. Kytkemätöntä täysinäistä nestekaasupulloa ei saa säilyttää grillin lähellä. Mikäli näitä ohjeita ei noudateta, voi mahdollinen tulipalo tai räjähdys olla seurauksena ja aiheuttaa vakavia henkilö- ja omaisuusvahinkoja.

FI

Huomautus asentajalle: tämä käyttöohje on aina jätettävä grillin omistajan haltuun mahdollista tulevaa käyttötarvett



0359-12

Napoleon Appliance Corp.,
214 Bayview Dr., Barrie, Ontario, Canada L4N 4Y8 Phone: 1-866-820-8686
Fax: (705)725-2564 email: wecare@napoleonproducts.com web site: www.napoleongrills.com

KIITOS, KUN VALITSIT NAPOLEONIN

NAPOLEON-tuotteissa käytetään huippulaatuisia komponentteja ja materiaaleja. Kädenjäljestään ylpeät ammattilaiset kokoavat tuotteemme. Polttimeen ja venttiin asentus suoritetaan ja koepoltetaan laadukkaalla testausasemalla. Ammattitaitoinen teknikko on suorittanut tälle grillille läpikotaisen laadunvarmistuksen ennen pakkausta ja toimitusta. Näin varmistetaan, että sinä, asiakkaamme, vastaanotat odottamasi NAPOLEON laatutuotteen.

Napoleon arvostaa asiakkaitaan. Pyrimme tarjoamaan sinulle tarvittavat välineet unohtumatonta grillauselämystä varten. Tämän ohjekirjan tarkoituksena on auttaa sinua uuden grillisi kokoamisen, asennuksen, huollon ja ylläpidon suorittamisessa oikein. Lue koko ohjekirja huolellisesti ennen uuden grillin käyttöönottoa, jotta olet selvillä kaikista grilliisi liittyvistä varoitusmerkeistä. Noudattamalla näitä ohjeita tarkasti varmistat huolettomat grillaushetket vuosiksi eteenpäin. Mikäli tuote ei vastaa odotuksiasi joltakin osin, ole hyvä ja ota yhteyttä asiakaspalveluumme numerossa +1-866-820-8686 tai vieraile verkkosivuillamme osoitteessa www.napoleongrills.com. Asiakaspalvelu on auki 9-17 EST (Eastern Standard Time).

Napoleon-kaasugrillin rajoitettu takuu

NAPOLEON takaa uuden NAPOLEON-kaasugrillisi seuraavat materiaalit ja työnlaadun vikojen osalta kymmeneksi (10) vuodeksi. Tämä kattaa valualumiiniosat (paitsi maali), sivuhyllyt (paitsi maali), ruostumattomasta teräksestä valmistetun ohjaupaneelin (paitsi seripainatus), ruostumattomasta teräksestä valmistetut polttimet, emalista tai ruostumattomasta teräksestä valmistetun kuvun sekä jalustan irto-osat ja kuvun kädensijat. Takuussa on seuraavat ehdot: Ensimmäisten viiden vuoden aikana NAPOLEON tarjoaa valitsemansa korvaavat osat ilmaiseksi. Kuudennesta kymmenenteen vuoteen NAPOLEON tarjoaa korvaavat osat puoleen hintaan sen hetkisen vähittäismyyntihinnan mukaisesti.

Ruostumattomasta teräksestä tai posliinista valmistetut ruskistuslevyt, ruostumattomasta teräksestä tai valuraudasta valmistetut grilliritilät, sytytysjärjestelmälliset venttiilit, lämpömittarit, säätönapulat sekä keraamiset infrapunapolttimet (suojusta lukuunottamatta) kuuluvat takuuseen. Napoleon tarjoaa osat maksutta rajoitetun takuun kahden ensimmäisen vuoden ajan.

Kaikki muut osat, mukaan lukien säätimet, pyörät, lämpöhyllyt, letkut ja liittimet, I-GLOW™, kiinnittimet ja lisävarusteet, kuuluvat takuuseen. NAPOLEON tarjoaa osat maksutta rajoitetun takuun ensimmäisen vuoden ajan.

NAPOLEON ei vastaa mistään lähetyk- tai asennuskuluista eikä vientitulleista.

TAKUUEHDOT JA RAJOITUKSET

NAPOLEON takuu kattaa tuotantoviat alkuperäiselle ostajalle edellyttäen että tuote on ostettu valtuutetulta jälleenmyyjältä seuraavin ehdon ja rajoituksin:

- takuu ei ole siirrettävissä grillin seuraavalle omistajalle
- Grillin saa asentaa vain asiantunteva henkilö sen jälkeen kun hän on tutustunut käyttöohjeen osioon sytytysohjeet ja noudattaen kaikkia kansallisia rakennus- ja paloturvallisuusohjeita
- takuu ei kata vahinkoja jotka johtuvat grillin käyttövirheestä, huollon puutteesta, rasvapolasta, vaarallisesta ympäristöstä, onnettomuudesta, luvattomista muutoksista, pahoinpitelystä, luvattomista osista, huolimattomuudesta ja muiden tuottajien osien käyttämisestä. Nämä mitätöivät takuun.
- rajoitettu takuu ei myöskään kata naarmuja, painautumia, maalattuja pintoja, korroosiota tai lämmön aiheuttamaa värimuutosta, hankausaineiden tai syövyttävien puhdistusaineiden käytöstä johtuvia vikoja, emaloidun pinnan hilseilyä eikä asennustarvikkeita.
- jos tuotevirhe estää grillin käytön grillin takuun voimassa oloaikana, vaihto-osa toimitetaan. Vain ensimmäisen takuuvuoden aikana viallinen osa vaihdetaan uuteen, mikäli vika on osan materiaalissa tai valmistuksessa ja tuotetta on käytetty ohjeen mukaisesti normaaleissa käyttöolosuhteissa.
- Ensimmäisen takuuvuoden jälkeen voi Napoleon harkintansa mukaan elinikäisen takuun aikana korvata viallisen osan tukkuhinnan grillin alkuperäiselle ostajalle.
- Napoleon ei vastaa takuuosan vaihtoon liittyvistä asennus, lähetyk-tullaus tai työkuiluista eivätkä ne kuulu takuun piiriin.
- Napoleonin rajoitettu elinikäinen takuu on voimassa tässä kuvatuin ehdoin eikä se kata missään tapauksessa muita kuluja jotka johtuvat epäsuorista tai sattumanvaraisista tapahtumista.
- Tässä kappaleessa kuvatut ehdot määrittävät NAPOLEONIN vastuut koskien napoleon grillejä ja kaikki muut takuut koskien grillien osia, lisätarvikkeita jäävät takuun ulkopuolelle
- Napoleon ei valtuuta kolmatta osapuolta antamaan lisävastuita puolestaan liittyen grillien myyntiin.
- Napoleon ei vastaa seuraavista vahingoista: grillin liika kuumeneminen johtuen ilmastollisista olosuhteista tai ilmanvaihdon puuttumisesta, rakeista, kovasta tuulesta, kovakouraisesta käsittelystä, hankaavista puhdistusaineista tai kemikaaleista aiheutuneita vahinkoja.
- Kopio ostokuitista sekä grillin malli- ja sarjanumero on esitettävä takuu pyynnön yhteydessä.
- Napoleon varaa oikeuden grillin tai sen osan tutkimiseen takuun myöntämiseksi.
- Napoleon ei vastaa kuljetus- tullausta tai työkuiluista takuuosan osalta.



VAROITUS! Näiden ohjeiden noudattamatta jättäminen voi johtaa omaisuus- tai henkilövahinkoihin. Lue käyttöohje ja seuraa sen antamia ohjeita ja varoituksia ennen grillin käyttöönottoa.

KUINKA KÄYTÄT GRILLIÄ TURVALLISESTI

- Tämä grilli pitää koota tarkoin käyttöohjeen mukaisesti. Mikäli olet ostanut grillin valmiiksi koottuna, sinun on tarkistettava, että grilli on koottu oikein ja suorittaa vuototesti ennen kuin otat grillin käyttöön.
- Lue koko käyttöohje ennen kuin otat grillin käyttöön.
- Grilliin ei saa tehdä mitään muutoksia
- Noudata sytytysohjeita tarkoin.
- Propanitynnyrin tai maakaasusäiliön kaasuventtiili täytyy sulkea aina, kun kaasugrilliiä ei käytetä.
- Pidä lapset ja eläimet poissa kuuman grillin ulottuvilta. ÄLÄ anna lasten kiivetä komeron sisälle.
- Lapsia tulee valvoa, jotteivät he pääse leikkimään laitteella.
- Tätä laitetta ei ole suunniteltu sellaisten henkilöiden (lapset mukaan lukien) käyttöön, joiden fyysinen tai henkinen toimintakyky on alentunut, tai joilla ei ole käyttämiseen tarvittavaa kokemusta ja tietoa. Käyttö tällaisen henkilön toimista on sallittu ainoastaan, jos laitteen käyttöä on valvomassa tai ohjeistamassa kyseisen henkilön turvallisuudesta vastuussa oleva henkilö.
- Älä jätä toimivaa grilliä ilman valvontaa.
- Älä siirrä toimivaa grilliä.
- Tämä grilli on tarkoitettu vain kotikäyttöön.
- Grilliä ei saa asentaa asuntovaunuihin tai veneisiin.
- Tätä grilliä saa käyttää vain ulkotiloissa joissa ilma vaihtuu hyvin ja sitä ei saa käyttää sisätiloissa, autotalleissa, suljetuilla terasseilla ja parvekkeilla, huvimajoissa tai muissa suljetuissa tiloissa.
- Grillin ja palavien materiaalien välillä on oltava seuraavat turvaetäisyydet: 16" (410 mm) taakse ja sivuille 7" (180 mm). Lisää etäisyyttä 24" (610 mm) verran tarvitaan mikäli grillin ja sivuilla sijaitsee vinyyli- tai lasitasoja.
- Pidä säiliökotelon ilmanvaihtoaukot aina esteettöminä ja puhtaina.
- Grilliä ei saa käyttää minkään palavan rakennelman alla.
- Älä sijoita tuuliseen paikkaan. Kova tuuli huonontaa grillin suorituskykyä.
- Kun grilliä säilytetään sisätiloissa, propanisäiliö täytyy irrottaa grillistä ja pitää ulkona paikassa, jossa on hyvä ilmanvaihto. Irrotettuja säiliöitä ei saa varastoida rakennukseen, autotalliin tai muuhun suljettuun paikkaan. Maakasuyksikön letku täytyy irrottaa säilytettäessä sisätiloissa.
- Tarkista kaasuletkun kunto ennen jokaista käyttökertaa. Mikäli letkussa näkyy kulumia ja halkeamia, se pitää vaihtaa uuteen ennen kuin kaasugrilliiä käytetään.
- Älä koskaan säilytä varalla olevaa nestekaasusäiliötä grillin lähellä tai alla.
- Älä koskaan täytä säiliötä yli 80 %.
- Älä yritä käyttää säiliötä, jossa ei ole QCC1-tyypin liittintä.
- Testaa ennen ensimmäistä käyttöä, ettei mikään liittimistä vuoda. Tämä tulee tehdä, vaikka grilli olisi ostettu täysin koottuna. Tee myös vuosittainen tarkastus ja testaa liittimet aina, kun osia on vaihdettu.
- Älä koskaan käytä maakaasua nestekaasulle tarkoitettussa yksikössä.
- Älä koskaan käytä sytytysnestettä kaasugrillissä.
- Hiilibrikettejä saa käyttää vain tälle yksikölle suunnitellulla Napoleon-hiilialustalla.
- Säädinnappien pitää olla suljettu asennossa kun avaat kaasuntulon pullosta
- Älä sytytä polttimia kun grillin kupu on alhaalla.
- Älä käytä takapoltinta kun pääpolttimot ovat toiminnassa.
- Kupu täytyy sulkea esilämmityksen ajaksi.
- Älä ohjaa kaasuletkua rasvapellin alta -pidä grillin pohjan ja letkun välissä riittävä etäisyys.
- Puhdista rasvapelti säännöllisesti jotta sille kertynyt rasva ei sytyttäisi rasvapaloa.
- Poista lämpöritilä ennen kuin sytytät takapolttimon. Kova lämpö vahingoittaa lämpöritilää.
- Tarkista että poltinsuojukset ovat paikoillaan asennusohjeiden mukaisesti.
- Älä käytä sivuhyllyjä sytyttimien, tulitikkujen tai muun palavan materiaalin säilytykseen.
- Pidä kaasuletku erossa kuumista pinnoista
- Pidä kaikki sähköjohdot erossa vedestä ja kuumista pinnoista.
- Tarkista infrapolttimen ilmanottoputki säännöllisesti hämähäkin seittien tai muiden tukoksien varalta. Puhdista putket kokonaisuudessaan mikäli huomaat tukoksia. (mikäli mallissa tämä poltin)
- Ulkokäyttöön tarkoitettu kaasugrilli ja sen erillinen sulkuventtiili täytyy irrottaa kaasunjakelujärjestelmästä aina suoritettaessa järjestelmän paineen tarkistusta, jos testipane on yli 0,5 psi (3,5 kPa).
- Ulkokäyttöön tarkoitettu kaasugrilli täytyy pitää erillään kaasunjakelujärjestelmästä sulkemalla sen erillisen manuaalisen sulkuventtiilin aina suoritettaessa järjestelmän paineen tarkistusta, jos testipane on yli 0,5 psi (3,5 kPa).



Tämän tuotteen hävittäminen oikein

Tämä merkintä ilmoittaa, ettei tuotetta saa hävittää muun talousjätteen mukana EU:n alueella. Hallitsemattomasta jätteidenhävittämisestä mahdollisesti ympäristölle tai ihmisille aiheutuvien haittavaikutusten ehkäisemiseksi tuote tulisi kierrättää. Kierrätys edistää myös materiaalivarojen kestävää uusiokäyttöä. Jos haluat palauttaa käytetyn laitteen, käytä kierrätystavaran keräysjärjestelmiä tai ota yhteyttä tuotteen myyneeseen jälleenmyyjään. Jälleenmyyjä ottaa tuotteen vastaan ja kierrättää sen ympäristölle turvallisesti.

Kaasusäiliö

Käytä ainoastaan kansallisten ja paikallisten säädösten mukaisia kaasusäiliöitä. Säiliön vähimmäiskoko butaaniyksikölle on 13 kg ja propaaniyksikölle 6 kg. Varmista, että säiliö tuottaa riittävästi polttoainetta laitteen käyttöä varten. Jos et ole varma, tarkista asia paikalliselta kaasunjakelijalta.

- Säiliön venttiiliä täytyy käyttää varoen.
- Älä koskaan liitä säiliötä, joka ei ole paikallisten säädösten mukainen.

Kaikki yli 7 kg:n kokoiset säiliöt tulee sijoittaa tasaiselle alustalle komeron ulkopuolelle (oikeanpuoleisen sivuhyllyn alle). Alle 7 kg:n säiliöt (enimmäiskooltaan 465 mm korkea, 306 mm leveä) voidaan sijoittaa komeron sisälle alahyllyn oikeaan reunaan. Ainoastaan laitteeseen kytkettyjä säiliöitä voidaan säilyttää komerossa tai laitteen lähellä. Varasäiliöitä ei saa varastoida komeroon tai käytössä olevan laitteen läheisyyteen. Säiliöitä ei saa jättää korkeaan lämpötilaan tai suoraan auringonvaloon.



VAROITUS! Sijoita letku kulkemaan niin, että yksikön alapuolelle jää riittävä varoetäisyys. Mikäli letku on kosketuksissa kuumiin pintoihin, se saattaa sulaa ja vuotaa aiheuttaen tulipalon.

Säiliön kytkentä: Kaasusäätimen letku ei saa olla mutkilla. Poista säiliön venttiilin korkki tai tulppa. Kiristä säädin säiliön venttiiliin. Testaa kaikki liitokset vuotojen osalta ennen grillin käyttöä. Vuotojen testaus täytyy suorittaa vuosittain sekä aina säiliötä kytkettäessä, tai jos kaasujärjestelmän osa vaihdetaan.



VAROITUS!

- Älä laita letkua kulkemaan valuma-astian alitse.
- Älä laita letkua kulkemaan alahyllyn ja takaseinän väliseen tilaan.
- Älä laita letkua kulkemaan takaseinän yläpuolelta.
- Varmista kaikkien liitoksien kiinnitykset käyttämällä kahta jakoavainta. Älä käytä teflon-teippiä tai putkien korjausainetta letkujen liitännöissä.
- Letku ei saa koskea mihinkään kuumaan pintaan. Vaarana on letkun sulaminen ja sen seurauksena tulleen vuodon aiheuttama tulipalo.
- Älä säilytä ylimääräistä letkua komerossa, koska letku saattaa koskettaa kuumaa pintaa ja sulaa, ja seurauksena syttyy tulipalo.

Kaasuletku

- Mikäli letku ja säädin eivät tule valmistajalta, voidaan käyttää ainoastaan kansallisten ja paikallisten säädösten mukaisia letkuja ja säätimiä.
- Letku ei saa joutua kosketukseen rasvan tai muiden kuumien valumiin eikä minkään laitteen kuumien pinnan kanssa.
- Tarkasta letku säännöllisesti. Ratkennut, sulanut tai kulunut letku täytyy vaihtaa ennen kuin laitetta käytetään.
- Suositeltava letkun pituus on 0,5 m. Letku ei saa olla yli 1,5 m pitkä.
- Letkua asennettaessa täytyy varmistaa, ettei letku jää mutkille tai kierteelle.
- Vaihda letku ennen siihen merkittyä viimeistä voimassaolopäivää.

Tekniset tiedot

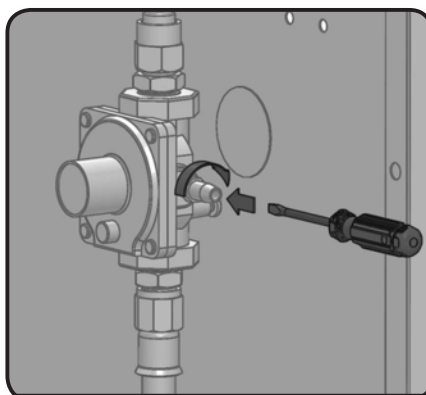
Seuraavasta taulukosta käyvät ilmi laitteen sisääntuloarvot.

Polttin	Aukon koko	(Brutto) Lämmöntuotto (kokonaisarvo)	Kaasun kulutus (kokonaisarvo)
Pää	1.07mm (#58)	16.0 kw	1160 g/hr
Sivu	0.82mm	2.4 kw	174 g/hr

Sertifioidut kaasut / Paineet - Tarkista arvokilvestä, että on luettelon mukainen.

Kaasuluokka	I _{3B/P(30)}	I _{3+(28-30/37)}	I _{3B/P(37)}	I _{3B/P(50)}
Aukkojen koot (katso yllä)	I	I	I	I
Kaasut / Paineet	Butaani 30mbar Propaani 30mbar	Butaani 28-30mbar Propaani 37mbar	Butaani 37mbar Propaani 37mbar	Butaani 50mbar Propaani 50mbar
Maat	BE, BG, CY, DK, EE, FI, FR, GB, HR, HU, IS, IT, LT, LU, MT, NL, NO, RO, SE, SI, SK, TR	BE, CH, CY, CZ, ES, FR, GB, GR, IE, IT, LT, LU, LV, PT, SK, SI	PL	AT, CH, DE, SK

Älä kajoa tai tee muutoksia säätölaitteeseen. Käytä ainoastaan säätölaitetta, joka antaa yllä olevan taulukon mukaisen paineen. Butaanin kanssa täytyy käyttää 28 – 30 millibaarin ja propaanin kanssa 37 millibaarin säätölaitetta. Tässä grillissä on sisäänrakennettu säätölaite. Tämän sisäänrakennetun säätölaitteen ulostulopaine on 24,5 mbar propaanille/butaanille ja 18,5 mbar maakaasulle. Painetta ei saa muuttaa tai säätää. Jos säätölaite vaihdetaan, tulee käyttää ainoastaan valmistajan määrittelemää säätölaitetta.



Tässä yksikössä on sisäänrakennettu säätölaite, joka vakauttaa kaasun paineen ja parantaa grillin suorituskykyä. Tätä säätölaitetta ei voi säätää. Säätölaitteen sivussa on painehana. Ammattitaitoinen huoltohenkilö voi käyttää sitä grillin huollon yhteydessä säätölaitteen toimintakunnon toteamiseksi. Painehanan ruuvin on aina oltava kiristettynä, paitsi testattaessa säätölaitteen painetta (vain ammattitaitoisen huoltohenkilöstön toimesta).

VUOTOTESTIN OHJEET



VAROITUS! Vuototesti täytyy suorittaa vuosittain ja aina kun pullo tai muu osa kaasujärjestelmästä vaihdetaan.



VAROITUS! Älä koskaan testaa vuotoa avoliekillä. Varmistu että läheisyydessä ei ole kipinöitä tai avoliekkiä kun teet testin. Kipinät tai avoliekit johtavat räjähdyksen tai tulipaloon, vahinkoa omaisuudelle tai vakavia henkilövahinkoja.



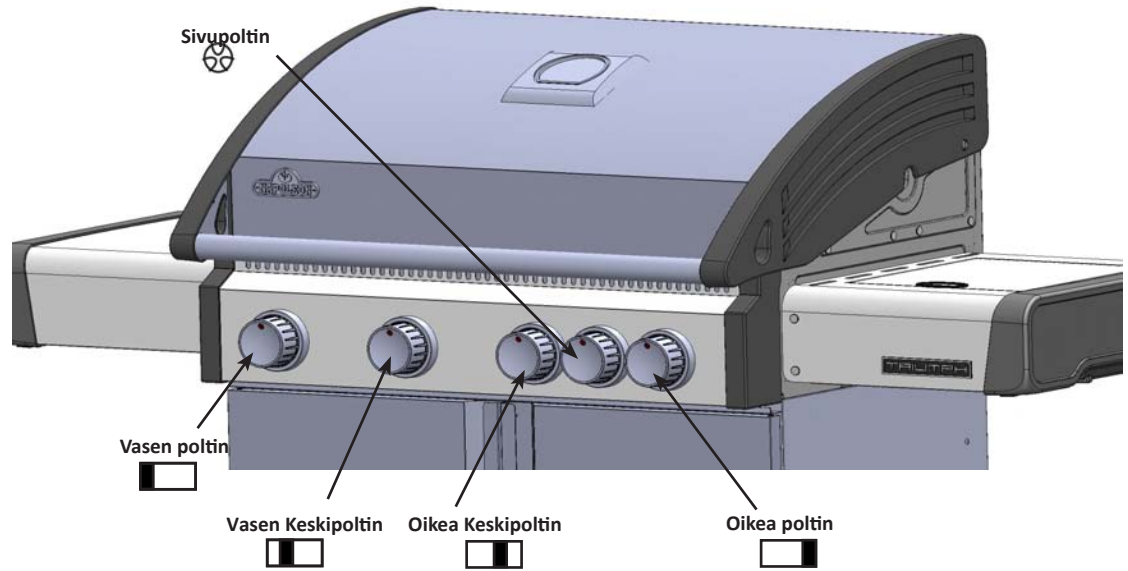
Vuototesti: tämä pitää suorittaa aina kun aloitat grillauskauden, vuosittain tai aina silloin kun kaasujärjestelmän joku osa vaihdetaan tai huolletaan. Älä tupakoi kun teet testin, ja poista läheisyydestä kaikki mikä voi aiheuttaa syttymisen. Tarkista kaikki kaasujärjestelmän osat huolellisesti. Sulje kaikki säätimet suljettu asentoon. Avaa kaasuntulo pullosta.

Sivele letkun liitoskohdat, matalapainesäätimestä sekä kaasuletkun kiinnityskohdasta sekä kaasuhanoista saippua/vesiliuoksella.

Kuplat merkitsevät kaasuvuotoa. Kiristä letkukiinnitykset tai mikäli vuotokohta on hanajärjestelmässä on käännettävä maahantuojaan tai jälleenmyyjän puoleen.

Mikäli vuotoa ei saada loppumaan, katkaise välittömästi kaasuntulo pullosta, irrota pullo ja ota yhteys jälleenmyyjään tai maahantuojaan joka ohjaa sinut lähimmälle kaasuasentajalle. Älä käytä grilliä ennen kuin vuoto saadaan loppumaan.

SYTYTYSOHJEET



VAROITUS! Avaa kupu.

VAROITUS! Tarkista, että kaikki polttimen säätönapulat ovat off-asennossa. Käännä kaasuventtiili auki.



Pääpoltin Sytytys	Takapoltin sytytys (mikäli kuuluu varusteluun)	Sivupoltin sytytys (mikäli kuuluu varusteluun)
1. Avaa grillin kupu.	1. Avaa grillin kupu.	1. Avaa sivupoltin kansi.
2. Paina ja käännä yksi pääpoltin säätönapula hitaasti 'hi'-asentoon. Tämä sytyttää pilotin liekin, joka vuorostaan sytyttää tulen valittuun polttimeen. Jos pilotti syttyy, pidä säätönapulaa alhaalla kunnes poltin on syttynyt. Vapauta sitten säädin.	2. Poista lämpöhyilly.	2. Paina ja käännä sivupoltin säätönapulaa hitaasti 'yläasentoon'. Tämä sytyttää sivupoltin.
3. Jos pilotti ei syty, käännä säätönapula välittömästi takaisin off-asentoon ja toista vaihe 2 useita kertoja.	3. Paina ja käännä yksi pääpoltin säätönapula hitaasti 'hi'-asentoon. Tämä sytyttää pilotin liekin, joka vuorostaan sytyttää tulen polttimeen. Jos pilotti syttyy, pidä säätönapulaa alhaalla kunnes poltin on syttynyt. Vapauta sitten säädin.	3. Jos poltin ei syty, käännä säätönapula välittömästi takaisin off-asentoon ja toista vaihe 2 useita kertoja.
4. Mikäli pilotti ja poltin eivät syty 5 sekunnissa, käännä säätönapula off-asentoon. Odota 5 minuuttia, jotta ylimääräinen kaasu haihtuu. Toista vaiheet 2 ja 3 tai sytytä tulitikulla.	4. Jos pilotti ei syty, käännä säätönapula välittömästi takaisin off-asentoon ja toista vaihe 3 useita kertoja.	4. Mikäli poltin ei syty 5 sekunnissa, käännä säätönapula off-asentoon. Odota 5 minuuttia, jotta ylimääräinen kaasu haihtuu. Toista vaiheet 2 ja 3 tai sytytä tulitikulla.
5. Tulitikulla sytyttäessä kiinnitä tulitikku mukana tulevaan sytytyspuikkoon. Kuljeta sytytetty tulitikku alas grillin ja ruskistuslevyn läpi ja käännä vastaavan polttimen venttiili yläasentoon.	5. Mikäli poltin ei syty 5 sekunnissa, käännä säätönapula off-asentoon. Odota 5 minuuttia, jotta ylimääräinen kaasu haihtuu. Toista vaiheet 3 ja 4 tai sytytä tulitikulla.	



KÄYTTÖ GRILL

Ensimmäinen sytytys: kun grilli sytytetään ensimmäistä kertaa, kaasugrillistä voi tulla hajua. Se on normaali ja ohimenevä ilmiö kun valmistuksessa käytettävät öljyt ja muut valmistusaine jäävät palavat pois. Haju poistuu ensimmäisen kerran jälkeen. Ensimmäisellä sytytyskerralla käytä grilliä suurella lämmöllä noin puoli tuntia.

Pääpolttimoiden käyttö: Kun grillataan rasvaisia ruokia, suositamme kaikkien pääpolttimoiden esilämmitystä n 10 minuutin ajan ennen grillausta täydellä teholla ja kupu suljettuna. Jos grillataan vain lyhyen valmistusajan vaativia ruokia kuten kalaa tai vihanneksia, voidaan grillata kupu avoimena. Kun grillataan kupu suljettuna, saavutetaan tasainen ja korkea lämpötila, joka grillaa tasaisesti ja lyhentää lihan grillausaikaa. Ruokia, jotka vaativat pidempää kypsytysaikaa kuin 30 minuuttia, kuten esim. paistit, voidaan grillata epäsuorasti (ruoka asetetaan toimivan polttimon viereiselle tasolle). Kun grillataan hyvin rasvattomia ruokia, kuten esim. kanaa tai rasvatonta porsasta, voidaan grillausritilät rasvata ennen esilämmitystä, jotta välttyttäisiin ruoan tarttumiselta ritilöihin. Grillatessa hyvin rasvaisia ruokia voi esiintyä räiskähtelyä ja korkeita liekkejä. Leikkaa liika rasva pois ennen grillausta tai laske lämpötilaa jotta välttyisit tältä. Mikäli räiskähtelyä esiintyy, nosta ruoka pois liekeistä ja vähennä lämpöä.

Suora grillaus: aseta ruoka grillille polttimon yläpuolelle. Tällä tavalla ruokia jotka eivät vaadi pidempää haudutusaikaa kuten hampurilaisia, pihvejä, kananpaloja tai vihanneksia. Kun lihan pinta suljetaan nopealla grillauksella, se säilyy mehukkaana ja lopullinen valmistus tapahtuu laskemalla lämpötilaa ja grillaamalla haluttuun asteeseen.

Epäsuora grillaus: Yhden tai useamman polttimon toimiessa asetetaan grillattava ruoka ritilälle jonka alla oleva poltin ei toimi. Kun lämpö ympäröi grillattavan ruoan se kypsyy hitaasti ja tasaisesti. Tällä tavoin grillattaessa grilli toimii samalla tavoin kuin normaali uuni ja tätä grillaustapaa käytetään pääasiassa suurten lihapalojen kuten paistin ja kokonaisen kanan valmistukseen, mutta tätä tapaa voi käyttää myös hyvin rasvaisten ruokien valmistukseen tai savustukseen. Hitaasti valmistettaessa ruoasta tulee murempaa.

Takapolttimon käyttö (mikäli kuuluu grilliin): Poista lämpöritilä ennen käyttöä. Grillausritilät on myös poistettava jos ne haittaavat vartaan toimintaa. Takapoltin on suunniteltu käytettäväksi yhdessä vartaan kanssa (varras kuuluu useimpien takapolttimella varustettuihin grilleihin) joita on saatavana useimmilta jälleenmyyjiltä. Katso vartaan kokoamisohje ao. käyttöohjeen osiosta.

Vastapainoa käytettäessä - irrota varrasmoottori grillistä. Aseta vartaaseen grillattava ruoka ja varras sille kuuluviin pidikkeisiin. Tällöin liha riippuu raskaampi puoli alaspäin. Kiristä vastapainon vartta ja punnusta siten että varsi osoittaa ylöspäin. Siirrä vastapainoa sisään tai ulospäin jotta paino tasapainottaa lihan painon ja kiristä vastapaino oikeaan paikkaansa. Aseta takaisin moottori ja aloita grillaus. Aseta vartaan alle metalliastia johon grillattavan ruoan mehut tippuvat ja joista syntyy herkullinen kastike. Sivele ruokaa grillauksen kestäessä marinadilla mikäli tarpeen. Hyvän lopputuloksen saat kun grillaat aluksi korkealla lämpötilalla joka sulkee lihan pinnan ja ruskistaa lihan. Sen jälkeen alenna lämpötilaa ja grillaa kypsäksi. Pidä kupu alhaalla niin saat parhaan lopputuloksen, lihan ja linnun pinta on ruskea ja sisältä mehukas ja murea. Esimerkiksi 1.5 kg painava kana valmistuu n 1.5 tunnissa keski-tai suurella teholla valmistettaessa.



HUOMIO! Grillauskastike ja suola ovat syövyttäviä ja aiheuttavat ruostetta joka vaurioittaa kaasugrillää mikäli grilliä ei puhdisteta säännöllisesti. Kun lopetat vartaan käytön, irrota vartaan komponentit ja pese perusteellisesti lämpimällä saippuavedellä ja säilytä vartaan osia sisätiloissa.

Sivupolttimen käyttö (mikäli kuuluu varusteluun): Sivupoltinta voidaan käyttää kastikkeiden, keittojen tms. valmistukseen tavallisen keittolevyn tapaan. Parhaan tuloksen saavuttamiseksi grilli tulee sijoittaa niin, että sivupoltin on tuulelta suojassa. Suositeltava kattilan läpimitta on 6-22 cm.



VAROITUS! Älä koskaa grillaa ruokaa suoraan sivupolttimen ritilällä. Se on tarkoitettu käytettäväksi vain kattiloille ja pannuille.



VAROITUS! Älä sulje sivukeittimen kantta kun se on toiminnassa tai vielä kuuma.

VAROITUS! Älä käytä sivukeittintä keitettäessä rasvalla, sillä kuuma öljy voi aiheuttaa vaaratilanteen.

HUOLTO-OHJEET/ PUHDISTUSOHJEET

Suosittamme että valtuutettu huoltohenkilö huoltaa ja tarkastaa koko grillin kerran vuodessa.



VAROITUS! Pidä aina suojakäsineitä ja -laseja kun puhdistat grilliä.

VAROITUS! Puhdista grilli vain silloin kun se on kylmä. Käytä aina suojahansikkaita kun käsittelet grillin kuumia pintoja. Tarkista aina että grillin säätimet ovat suljettu asennossa. Puhdista grilli aina tiloissa jossa ei ole pilaantuvia pintoja, nurmikoita tai patioita. Älä käytä uunin puhdistusainetta minkään grillinosan puhdistukseen. Älä käytä itse puhdistuvaa uunia grilliritilöiden tai muiden grilliosien puhdistukseen. Grillauskastikkeet sisältävät happoja ja suolaa joka aiheuttaa korroosiota ja grillin vahingoittumisen mikäli sitä ei puhdisteta säännöllisesti.

HUOMIO: Ruostumaton teräs saattaa muuttua väriään mikäli läheisyydessä esiintyy klorideja tai sulfaatteja, erityisesti rannikkoalueilla ja muissa rasittavissa olosuhteissa kuten kuumassa ja kosteassa ilmastossa joka on lähellä uima-altaita ja poreammeita. Tällaiset värimuutokset voidaan helposti puhdistaa tai estää. Tällöin on grilli puhdistettava puhtaalla vedellä ja/tai erityisellä ruostumattoman teräksen puhdistusaineella.



VAROITUS! Ennen huoltoa käännä kaasulähde pois päältä ja irrota yksikkö jakelusta. Mahdollisten palovammojen välttämiseksi huolto tulee suorittaa vain jäähtyneelle grillille. Vuotojen testaus täytyy suorittaa vuosittain sekä aina säiliötä kytkettäessä. Vuodot on testattava myös jos kaasujärjestelmän osa vaihdetaan tai jos havaitaan kaasun hajua.

Grillausritilät ja lämmitysritilä: nämä on paras puhdistaa messinkisellä harjalla esikuumennusvaiheessa. Voit käyttää myös metallista hankaustyynyä erityisen piintyneisiin tahroihin. On normaalia että ruostumattomat teräsritilät värjäytyvät pitkä aikaisessa käytössä suurien lämpötilojen takia.

Valurautaiset grillausritilät: Valurautaiset grillausritilät jotka kuuluvat malliin takaavat erinomaisen lämmön tasaisuuden ja keston. Säännöllinen rasvapoltto lisää ritilöiden kestoä sillä se luo ritilöihin suojaavan kerroksen joka hidastaa tai estää niiden ruostumisen ja estää myös ruoan tarttumisen grilliritilöihin.

Ensimmäinen käyttökerta: Pese ritilät kuumalla vedellä jotta mahdolliset tuotannosta jääneet öljyt poistuvat. Kuivaa huolellisesti. Älä koskaan pese pesukoneessa valurautaritilöitäsi.

Pesuaineen tai saippuan käyttöä emme suosittele sillä niitä ei huokoisesta raudasta saa huuhdottua pois kun ne ovat imeytyneet raudan huokosiin. Kuuma vesi ja metalliharja riittävät pesuun.

Rasvapoltton uusinta: Levitä pehmeällä kankaalla kasviöljyä koko grilliritilän pintaan ja tarkasta että sitä menee myös nurkkiin ja kaikkiin koloihin. Älä käytä suolaista rasvaa kuten voita tai margariinia. Esilämmitä grilliä noin 15 minuuttia kupu alhaalla ja aseta sen jälkeen rasvatut ritilät grilliin. Käännä säätimet keskilämmölle kupu suljettuna ja anna ritilöiden kuumeta noin puoli tuntia. Sulje säätimet kiinni asentoon ja sulje kaasuntulo pullosta. Jätä ritilät viilenemään grilliin. Tämä rasvapoltto pitää uusia moneen kertaan grillauskauden aikana mutta sitä ei tarvitse tehdä mikäli grilliä käytetään päivittäin.

Päivittäinen käyttö: Ennen esilämmitystä, ja puhdista messinkiharjalla, sivele öljy ritilälle. Esikuumenna ja harjaa pois ruokajäämät ritilältä messinkiharjalla.

Ruostumattomat teräsritilät (lisävaruste): Ruostumattomasta teräksestä valmistetut grilliritilät ovat kestävä eivätkä ruostu. Ne vaativat vähemmän hoitoa kun valurautaritilät. Niille riittää puhdistus messinkiharjalla.

Säätöpaneeli: Paneelin teksti on painettu suoraan ruostumattomalle teräkselle ja hyvällä hoidolla voi jäädä tummaksi ja luettavaksi. Paneelin puhdistukseen voi käyttää vain lämmintä saippuavettä tai erityistä ruostumattoman teräksen puhdistusainetta. Älä koskaan käytä hankaavia aineita tai -tyynyjä sillä ne kuluttavat painetun tekstin pois.

Grillin sisäosien puhdistus: Poista grillausritilät. Käytä messinkiharjaa poistaaksesi sivuilta irtoavat tähteet ja samoin kuvun alta. Raaputa puhtaaksi joko lastalla tai veitsellä lämmönjakolevyt jotka suojaavat polttimoita ja käytä metalliharjaa puhdistaksesi tuhkan. Poista lämmönjakolevyt ja harjaa pois irtonainen lika polttimoista metalliharjalla. Harjaa irtoavat tähteet ja lika rasvapeleille.

Valot: Valokotelo suojaava kiekko voidaan poistaa asettamalla litteäpäisen ruuvimeisselin kärki kiekon ja kotelon väliin ja heiluttamalla sitä varovaisesti. **Älä koske halogeenilamppuun. Sormenpäiden rasva lyhentää lampun käyttöikä.** Kiekko voidaan puhdistaa liottamalla sitä ensin saippuavedessä ja puhdistamalla sen jälkeen rievulla ja naarmuttamattomalla puhdistusaineella. Kiekko voidaan asettaa takaisin paikoilleen napsauttamalla se takaisin koteloon.

Rasvapelti: Rasvakertymät muodostavat palovaaran. Puhdista rasvapelti usein (4-5 käyttökerran jälkeen tai niin usein kun on tarpeen) välttääksesi rasvan kertymisen pellille. Ruoasta valuvat marinadit ja rasva putoavat läpi grillin rasvapellille joka on grillirungon alimmaisena ja ylimääräinen rasvakertymä jää pellille. Vedä rasvapelti ulos grillistä. Älä vuoraa rasvapeltiä alumiinifoliolla tai muulla materiaalilla sillä se voi estää rasvan valumisen oikeaan paikkaan. Rasvapellin voi puhdistaa kaapimella tai tylsällä veitsellä.

Grillin ulkopintojen puhdistus: Älä käytä hankausjauheita sisältäviä puhdistusaineita tai -tyynyjä mihinkään polttomaalattuun, emaloituun tai ruostumatonta terästä sisältävään osaan. Ulkopinnat on pestävä lämpöisellä saippuavedellä silloin kun grilli on vielä lämmin mutta ei enää kuuma. Ruostumattomien teräspintojen puhdistukseen soveltuu erityisesti sille valmistettu puhdistusaine. Puhdista aina teräksen hiontasuuntaan. Aikaa myöten ruostumaton teräs muuttaa väriään kuumetessaan, useimmiten ruskehtavaan värisävyyteen. Värisävyn muutos johtuu korkeista lämpötiloista joilla grilli toimii eikä vaikuta grillin käyttöominaisuuksiin. Emaloituja osia on käsiteltävä varoen ja hoidettava hellävaraisesti. Kuumennettu emali käyttäytyy kuten lasi ja rikkoutuu mikäli sitä töytätään.



VAROITUS! Tarkista säännöllisesti kaasuletkun kunto: mahdolliset kulumat, halkeamat. Jos havaitset mitään näistä, älä käytä grilliä. Vaihda letku uuteen hyväksytyyn letkuun.

Putkipoltin: Polttimet on valmistettu paksusta, numeron 304 ruostumattomasta teräksestä, mutta äärimmäisen kuumuuden ja grillin korrosoivan ympäristön johdosta pinnan ruostumista tapahtuu. Ruoste voidaan poistaa teräsharjalla.



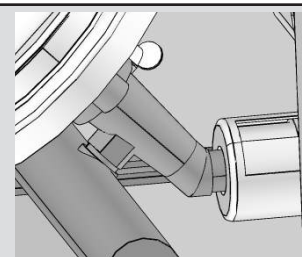
VAROITUS! Varo hämähäkkejä.

Hämähäkit ja hyönteiset pitävät propaanin ja maakaasun hajusta. Polttimen ilmaventtiilissä on hyönteisverkko, jonka tarkoituksena on estää hyönteisiä rakentamasta pesiä polttimen sisälle. Se ei kuitenkaan kokonaan poista ongelmaa. Pesä tai seitti voi aiheuttaa polttimen hennon keltaisen tai oranssin liekin tai tulipalon (liekin takaisinlyönnin) säätöpaneelin allaolevassa ilmaluukussa. Polttimen sisäpuolen puhdistamiseksi poltin täytyy poistaa grillistä: Irrota ruuvi, joka kiinnittää polttimen takaseinään. Poista poltin liu'uttamalla sitä taakse ja ylös. Puhdistus: Puhdista polttimen sisäpuoli taipuisalla pyöröharjalla. Ravistele irtonaiset jäänteet ulos polttimesta kaasun tuloaukon kautta. Tarkista, ovatko polttimen ja venttiilin aukot tukossa. Polttimen aukot saattavat tukkeutua ajan mittaan kerääntyvän ruoanvalmistusjäänteiden ja ruostumisen johdosta. Käytä avuttua paperiliitintä tai mukana tulevaa aukkojen puhdistusvälinettä niiden puhdistukseen. Poraat tukkeutuneet aukot auki käyttämällä tätä poranterää pienellä langattomalla poralla. Aukkojen puhdistus on helpompaa, jos poltin on irrotettu grillistä, mutta ne voi puhdistaa myös polttimen ollessa asennettuna. Älä taivuta poranterää poratessasi aukkoja, sillä se katkeaa helposti. Tämä pora on tarkoitettu vain polttimen aukoille, ei vaskiaukkoille (jets), jotka säätelevät polttimeen tulevaa kaasua. Älä laajenna aukkoja. Tarkista, että hyönteisverkko on puhdas ja tiukka ja ettei siinä ole nukkaa tai muita jäänteitä.

Takaisin-asennus: Asenna poltin uudelleen seuraten ohjeita lopusta alkuun. Varmista asentaessa, että venttiili menee polttimeen.



VAROITUS! Kun asennat takaisin kaasupoltinta puhdistuksen jälkeen on erittäin tärkeää tarkistaa että kaasunhanan pää ja suutin menevät polttimon sisään ennen kuin sytytät grillin. Mikäli hanan pää ei ole polttimon sisällä, se voi aiheuttaa tulipalon tai räjähdysen.



Alumiinivaluosat: Puhdista nämä osat säännöllisesti lämpöisellä saippuavedellä. Alumiini ei ruostu, mutta korkeat käyttölämpötilat ja ilmasto voivat muuttaa aikaa myöden sen väriä ja aiheuttaa hapettumista. Se ilmenee valkoisina täplinä alumiinissa. Kunnostaaksesi nämä pinnat, puhdista ensin ja sitten hio kevyesti santapaperilla. Pyyhi pinnalta hiontajäämät ja maalaa korkeita lämpötiloja kestäväällä maalilla. Suojaa ympäröivä alue jotta spraymaali ei tuhri sitä. Seuraa hoito-ohjeita.

ONGELMAT JA NIIDEN RATKAISUT

Ongelma	Mahdolliset syyt	Ratkaisu
Matala lämpö / Pieni liekki vaikka polttimet ovat täydellä teholla.	<p>Propaani - virheellinen sytytys.</p> <p>Maakaasu - liian pieni kaasuletku.</p> <p>Molemmat kaasut - virhe esilämmityksessä.</p>	<p>Varmista että olet sytyttänyt grillin ohjeiden mukaisesti. Säädinten pitää olla suljettu asennossa kun kaasu avataan pullosta. Avaa matalapainesäädin ja anna paineen tasautua. Katso sytytysohjeet.</p> <p>Johdon koon täytyy olla asennuskoodin mukainen.</p> <p>Esilämmitä molemmilla polttimoilla täydellä teholla n 10-15 minuuttia.</p>
Liekin räiskähtely/ Epätasainen lämpö.	<p>Puutteellinen esilämmitys.</p> <p>Lämmöntasauslevyille kertyy liikaa rasvaa samoin rasvapellille</p>	<p>Esilämmitä grilliä molemmat pääpolttimet täysillä n. 10-15 min.</p> <p>Puhdista lämmöntasauslevyt ja rasvapelti säännöllisesti. Älä vuoraa rasvapeltiä alumiinifoliolla, katso puhdistusohjeet.</p>
Polttimet palavat keltaisella liekillä ja tunnet kaasunhajua.	Tukos kaasujärjestelmässä, hämähäkin seitti tai muu.	Puhdista poltin ja irrota se. Katso yleiset huolto ohjeet.
Säädin päästää humisevaa ääntä.	Normaalia kuumina päivinä.	Tämä ei ole vika. Se johtuu säätimen sisäisestä värähtelystä eikä vaikuta grillin toimintaan. Säädintä ei tarvitse vaihtaa.
Polttimet eivät syty sarjassa.	Poltinaukot tukossa polttimon takaosassa.	Puhdista poltinaukot huolto-ohjeen mukaisesti.
”Maali” irtoaa kuvun sisältä.	Rasvakertymää sisäpinnoilla..	Tämä ei ole vika. Pinnoitteet ovat emaloidut eivätkä ne kuoriudu. Tämä johtuu kovettuneen rasvan kuivumisesta, joka kuoriutuu pois. Säännöllinen puhdistus estää tämän.

Pidä tallessa ostokuitti jota vastaan takuu on voimassa.

Varaosan tilauslomake

Takuuinformaatio

Malli: _____

Ostopäivä: _____

Sarjanumero: _____

Tallenna tämä yllä olevaan paikkaan heti kun olet ostanut grillin jolloin tieto löytyy helposti.

Ennen kuin otat yhteyden asiakaspalveluun, tarkista Napoleon website www.napoleongrills.com. puhdistukseen, huoltoon, probleematilanteiden ratkaisuun ja varaosien numerointiin. Varaosaa tilattaessa ota yhteys, Asiakaspalvelu laitos 1-866-820-8686 9 AM and 5 PM (Itäinen normaaliaika) or faksi at 1-705-727-4282.

Varaosaa tilattaessa tarvitsemme seuraavan informaation:

1. Malli ja sarjanumero
2. Osanumero ja kuvaus
3. Tarkka ohje vian laadusta ("rikki" ei riitä)
4. Kopion ostokuitista

Joissakin tapauksissa voi asiakaspalvelumme pyytää palauttamaan viallisen osan jotta vian laatu voidaan tarkistaa. Nämä osat täytyy palauttaa asiakaspalvelun antamien ohjeiden mukaisesti ja yllä olevien tietojen lisäksi palautukseen on merkittävä lähettäjän nimi ja täysi osoite sekä puhelinnumero. Osaa ei saa palauttaa ennen kuin otat yhteyden asiakaspalveluun joka ilmoittaa mikäli palautus on tarpeen tai miten se pitää toimittaa maahantuojalle.

Ennen kuin otat yhteyden asiakaspalveluun huomioi että seuraavat osat eivät kuulu takuun piiriin:

Kuljetusmaksut eivätkä tullit

Osan irrottamis- ja uudelleen asentamisen aiheuttamat työkustannukset

Puhelinkulut

Ruostumattoman teräksen värimuutokset jotka aiheutuvat käytöstä

Osan toimimattomuus joka johtuu väärän puhdistusaineen käytöstä tai puutteellisesta puhdistuksesta.



HUOMIO! Suositamme suojalasien käyttöä grillin kokoamisessa. Grillin kokoaminen on yritetty tehdä mahdollisimman turvalliseksi ja helpoksi mutta teräsosien teollisessa valmistuksessa jää varsinkin reunat ja kulmat voivat jäädä teräviksi ja aiheuttaa haavoja jos niitä ei käsitellä varoen.



1. Poista kaikki vaunun osat, muut metalliosat ja grillin yläosa laatikosta, nosta kupu ja poista kaikki sen sisällä olevat osat. Ota esille osaluettelo jotta varmistat, että kaikki grilliin kuuluvat osat ovat mukana.
2. Älä hävitä mitään pakkausosia ennen kuin olet koonnut grillin valmiiksi.
3. Kokoja grilli siinä paikassa missä aiot käyttää sitä. Aseta pahvi tai iso pyyhe suojataksesi osia jotta ne eivät vahingoittuisi tai häviäisi kokoamisen aikana.
4. Useimmat ruostumattomasta teräksestä valmistetut osat ovat suojatut muovikelmulla ja ne pitää poistaa ennen kuin aloitat grillin käytön.
5. Seuraa asennuksen ohjeita siinä järjestyksessä kuin ne tässä ohjeessa.
6. Kaksi ihmistä tarvitaan valmiiksi kootun yläosan nostamiseen paikoilleen koottuun vaunuun.

Mikäli sinulla on kysymyksiä grillin kokoamisesta tai käytöstä tai osia on puuttunut tai vahingoittunut ota ,Asiakaspalvelu laitos, 1-866-820-8686 9 AM and 5 PM (Itäinen normaaliaika).välisenä aikana arkisin.

NÄITÄ TYÖKALUJA TARVITSET KOKOAMISEEN:

3/8" and 5/8"
kiintoavaimen



Litteän ja
ristipääruuviavaimen



Pihdit



Vasaran





FAKSAA NUMEROON: 705 727 4282

LISÄVARUSTEIDEN JA VARAOSIEN TILAUS

KIRJOITA SELVÄLLÄ KÄSIALALLA

NIMI: _____

TOIMITUSOSOITE: _____

PUH: _____

FAKSI: _____

SÄHKÖPOSTI: _____

VISA- TAI MASTERCARD-NUMERO: _____

KORTIN VOIMASSAOLOAIKA: _____

ALLEKIRJOITUS: _____

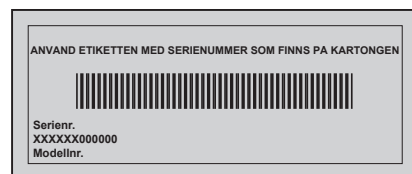
KPL	OSAN NUMERO	KUVAUS

HINTOIHIN SAATETAAN LISÄTÄ VEROT
LÄHETYSKULUT LISÄTÄÄN LOPPUSUMMAAN

JOS HALUAT VAHVISTUKSEN, ANNATHAN FAKSINUMERON TAI SÄHKÖPOSTIOSOITTEEN

FI

Gasolgrillen får endast användas utomhus i ett välventilerat utrymme och får inte användas inomhus, i ett garage, inbyggd veranda, lusthus eller något annat tillslutet utrymme.



495, 495SB



FARA

OM DU KÄNNER GASLUKT:

- Stäng av gasen till anordningen.
- Släck eventuella öppna lågor.
- Öppna locket.
- Håll dig undan från anordningen om lukten kvarstår och kontakta genast din gasleverantör eller brandkåren.



VARNING

Försök inte tända anordningen utan att först läsa avsnittet med instruktioner för "TÄNDNING" i denna handbok.

Förvara eller använd inte bensin eller andra lättantändliga vätskor eller ångor i närheten av denna eller någon annan anordning.

En lågtryckscylinder som inte är ansluten för användning får inte förvaras i närheten av denna eller någon annan anordning.

Om informationen i dessa instruktioner inte följs exakt kan brand eller explosion uppstå och orsaka egendomsskada, personskada eller dödsfall.

SE

Meddelande till installatören: Lämna instruktionerna hos grillens ägare för framtida referens.



0359-12

Napoleon Appliance Corp.,
214 Bayview Dr., Barrie, Ontario, Canada L4N 4Y8 Phone: 1-866-820-8686
Fax: (705)725-2564 email: wecare@napoleonproducts.com web site: www.napoleongrills.com

TACK FÖR ATT NI HAR VALT NAPOLEON

NAPOLEON-produkter är konstruerade med förstklassiga komponenter och material och är monterade av utbildade hantverkare med stor yrkesskicklighet och noggrannhet. Brännare och ventiler är läcktestade och proveldade vid en provstation för kvalitet. Denna grill har noggrant inspekterats av en kvalificerad tekniker innan paketering och frakt för att säkerställa att du som kund får den kvalitetsprodukt du förväntar dig av NAPOLEON.

Vi på Napoleon finns här för dig, vår värdefulla kund. Vårt mål är att tillhandahålla de redskap som behövs för en oförglömlig grillupplevelse. Denna handbok är till för att du ska kunna försäkra dig om att din nya grill är monterad, installerad, underhållen och skött på ett korrekt sätt. Det är viktigt att du läser och känner till hela handboken innan du använder din nya grill så att du har fullständig förståelse för alla säkerhetsåtgärder och funktioner som din grill har att erbjuda. Genom att noggrant följa instruktionerna kan du se fram emot många års problemfri grillning. Om denna produkt av någon anledning inte motsvarar dina förväntningar, vänligen kontakta vår kundtjänst avdelning på 1-866-820-8686 kl. 9.00-17.00 (EST) eller besök vår webbplats på www.napoleongrills.com.

Begränsad garanti för gasolgrillen Napoleon President

NAPOLEON lämnar garantier mot defekter i 10 år för följande material och utförande i din nya NAPOLEON gasolgrill. Detta omfattar aluminiumgjutningar (ej färg), sidohyllor (ej färg), kontrollpanel i rostfritt stål (ej screentryck), brännare i rostfritt stål, lock och insatser i rostfritt stål eller emalj samt handtag till lock under följande förutsättningar: Under de första fem åren tillhandahåller NAPOLEON kostnadsfritt utbytesdelar efter eget val. Från och med det sjätte till det tionde året tillhandahåller NAPOLEON utbytesdelar mot en kostnad av 50 % av aktuellt pris.

Komponenter som exempelvis droppskydd i rostfritt stål eller emalj, grillgaller i rostfritt stål eller gjutjärn, ventiler med tändningssystem, temperaturmätare, knoppar samt keramiska infraröda brännare (exklusive skärmar) täcks och NAPOLEON tillhandahåller kostnadsfritt delar under de första två åren av den begränsade garantin.

Alla andra komponenter, inklusive reglage, hjul, varmhållningsgaller, slangar och kopplingar, I-GLOW™, fästdon och tillbehör, täcks av garantin och NAPOLEON tillhandahåller kostnadsfritt delar under det första året av den begränsade garantin.

NAPOLEON tar inte ansvar för några transportkostnader, arbetskostnader eller exporttullar.

Villkor och begränsningar

“NAPOLEON lämnar endast garanti för tillverkningsfel hos sina produkter till ursprunglig köpare, förutsatt att köpet gjordes av en auktoriserad återförsäljare för NAPOLEON och under följande villkor och begränsningar:”

Denna fabriksgaranti kan inte överföras och kan under inga omständigheter utökas av någon av våra representanter.

Gasolgrillen måste monteras av en licensierad och auktoriserad servicetekniker eller leverantör. Montering måste utföras i enlighet med instruktionerna som medföljer produkten samt alla lokala och nationella regler för byggnader och brand.

Denna begränsade garanti omfattar inte skador orsakade av felaktig användning, bristande underhåll, fettbränder, farliga miljöer, olyckshändelse, förändringar, vanvård eller försummelse och delar från andra tillverkare som monterats upphäver garantin.

Vidare omfattar den begränsade garantin inga repor, bucklor, målade ytor, rost eller felfärgning genom uppvärmning, slipmedel eller kemikaliska rengöringsmedel, ej heller flisor i emaljerade delar eller några andra komponenter som använts vid montering av gasolgrillen.

Om delar försämras så att de inte längre fungerar under den tid som garantin gäller, tillhandahålls en utbytesdel.

Garantin omfattar utbyte av garantidelar under det första året, förutsatt att delarna är defekta avseende material eller utförande samt att produkten har använts i enlighet



WARNING! Om instruktionerna inte efterföljs, kan detta resultera i egendomsskada, personskada eller dödsfall. Läs och följ alla varningar och instruktioner i denna handbok innan grillen används.

Säkra rutiner för användning

- Denna gasolgrill måste monteras exakt enligt handbokens instruktioner. Om grillen förvarats ihopmonterad, måste du granska instruktionerna för montering för att säkerställa att den är korrekt monterad och utföra nödvändiga läcktest innan grillen används.
- Läs hela handboken innan gasolgrillen används.
- Gasolgrillen får under inga omständigheter modifieras.
- Följ noggrant instruktionerna för tändning när grillen används.
- Gasen måste stängas av vid gasoltuben eller naturgastillförselns ventil när gasolgrillen inte används.
- Håll barn och husdjur borta från den varma grillen. Låt INTE barnen gå in i skåpet.
- Barn ska hållas under uppsikt för att säkerställa att de inte leker med anordningen.
- Denna anordning är inte avsedd att användas av personer (inklusive barn) med reducerad fysisk, sensorisk eller mental förmåga, eller som saknar erfarenhet och kunskap, såvida de inte har fått handledning eller instruktioner gällande anordningens användning av någon med ansvar för deras säkerhet.
- Lämna inte grillen obevakad när den används.
- Flytta inte på grillen när den är varm eller när den används.
- Denna grill är endast avsedd för hushållsbruk.
- Denna gasolgrill får inte installeras i eller på husbilar eller båtar.
- Gasolgrillen får endast förvaras utomhus i ett välventilerat utrymme och får inte användas inomhus, i ett garage, inbyggd veranda eller något annat tillslutet utrymme.
- Håll ett lämpligt avstånd till brännbara föremål (410 mm till enhetens baksida, 180 mm till sidorna). Ett ytterligare avstånd på 610 mm rekommenderas nära vinylbeklädnad eller glasrutor.
- Se till att cylinderkåpens ventilationsöppningar alltid hålls öppna och rena från skräp.
- Använd inte enheten under någon brännbar konstruktion.
- Placera inte grillen i en blåsig omgivning. Kraftig vind påverkar gasolgrillens tillagningsförmåga negativt.
- När gasolgrillen förvaras inomhus, måste gasoltuben kopplas loss från grillen och förvaras utomhus i ett välventilerat utrymme. Frånkopplade tuber får inte förvaras i en byggnad, garage eller annat stängt utrymme. Naturgasenheter måste kopplas loss från tillförseln när de förvaras inomhus.
- Kontrollera gasslangen innan varje användning. Om slangen är överdrivet sliten måste den bytas ut mot en utbytesslang enligt grilltillverkarens angivelser innan gasgrillen används.
- Förvara aldrig en reservgastub under eller nära grillen.
- Fyll aldrig tuben mer än 80 %.
- Försök inte använda en tub som inte är utrustad med anslutning av typen QCC1.
- Läcktesta alla anslutningar innan de används första gången (även om grillen köptes färdigmonterad), årligen samt var gång någon gaskomponent har bytts ut.
- Använd aldrig naturgas i en enhet som utformats för flytande gasol.
- Använd aldrig lättare vätska i en gasolgrill.
- Använd endast kolbriketter tillsammans med Napoleons träkolstråg som är utformad för enheten.
- Brännarkontroller måste vara avstängda när tillförseltuben slås på.
- Tänd inga brännare när locket är stängt.
- Använd inte den bakre brännaren samtidigt som huvudbrännaren används.
- Locket ska vara stängt under uppvärmningen.
- Dra inte slangen under dropptråget. Slangen måste alltid hållas borta från enhetens underdel.
- Rengör fettuppsamlare och droppskydd regelbundet för att undvika pålagringar, vilka kan orsaka fettbränder.
- Avlägsna varmhållningsgallret innan den bakre brännaren tänds. Den extrema hettan kan skada varmhållningsgallret.
- Se till att droppskyddet är korrekt placerat enligt instruktionerna för montering av droppskydd.
- Använd inte sidohyllor för förvaring av tändare, tändstickor eller annat lättantändligt.
- Håll gasledningen borta från uppvärmda ytor.
- Håll eventuella strömsladdar borta från vatten eller uppvärmda ytor.
- Inspektera regelbundet den infraröda brännarens venturirör så att inte spindelväv eller andra hinder förekommer. Rengör rören helt om du hittar några sådana hinder.
- Gasolgrillen för matlagning utomhus och dess avstängningsventil måste kopplas loss från gastillförselns rörsystem under alla trycktest av systemet med testtryck som överstiger 0,5 psi (3,5 kPa).
- Gasolgrillen för matlagning utomhus måste isoleras från gastillförselns rörsystem genom att stänga dess manuella avstängningsventil under alla trycktest av gastillförselns rörsystem med testtryck upp till 1/2 psi

Korrekt avfallshantering av produkten



Denna märkning indikerar att produkten inte ska kastas med annat hushållsavfall inom hela EU. Återvinn produkten ansvarsfullt för att stödja hållbar återanvändning av materiella resurser samt för att förhindra möjlig skada på miljön eller människors hälsa av okontrollerad avfallshantering. Använd retur- och insamlingsystem för att returnera din begagnade anordning eller kontakta återförsäljaren där produkten köptes. De kan ta hand om produkten för en miljövänlig återvinning.

Gastub

Använd endast gastuber som uppfyller nationella och regionala normer. Minsta tubstorlek för butan är 13 kg och för propan gäller 6 kg. Säkerställ att tuben innehåller tillräckligt med bränsle för att driva anordningen. Hör efter med din lokala gasleverantör vid eventuella tveksamheter.

- Hantera tubventilen med försiktighet.
- Anslut aldrig en tub som inte uppfyller lokala normer.

Alla tuber som är 7 kg eller större måste placeras utanför skåpet (under högra sidohyllan) på marknivå. Tuber mindre än 7 kg (maximal höjd 465 mm för 306 mm bredd) kan placeras inuti skåpet, till höger om den nedre hyllan. Endast tuber som är anslutna till anordningen får förvaras i skåpet eller i närheten av anordningen. Reservtuber får inte förvaras i skåpet eller i omedelbar närhet till en enhet som används. Gastuber får inte utsättas för extrem hetta eller direkt solljus.



WARNING! Säkerställ att slangen är dragen så att avståndet till enhetens undersida är korrekt. Slangar som kommer i kontakt med heta ytor kan smälta och läcka, och därmed ge upphov till brand.

Tubanslutning: Säkerställ att slangen för gasreglage inte är tilltrasslad. Ta bort lock eller plugg från tubens bränsleventil. Fäst reglaget vid tubens ventil. Läcktesta alla sammanfogningar innan grillen används. Läcktest måste utföras årligen, samt var gång en tub ansluts eller om någon del av gassystemet byts ut.



WARNING!

- Dra inte slangen under dropptråget.
- Dra inte slangen i utrymmet mellan den nedersta hyllan och bakpanelen.
- Dra inte slangen över bakpanelens överdel.
- Säkerställ att alla kopplingar är åtdragna. Använd två skruvnycklar. Använd inte teflontejp eller gängpasta på någon slangkoppling.
- Säkerställ att slangen inte kommer i kontakt med någon het yta. Den kan då smälta och läcka och därmed ge upphov till brand.
- Använd inte skåpet för förvaring av överbliven slang, eftersom det ökar risken att slangen vidrör en het yta. Den kan då smälta och läcka, och därmed ge upphov till brand.

Gaslang

- Om slang eller reglage inte levereras från tillverkaren, får endast sådana slangar och reglage som uppfyller nationella och regionala normer användas.
- Säkerställ att slangen inte kommer i kontakt med fett, annan hett spill eller någon annan het yta på anordningen.
- Kontrollera slangen regelbundet. Om den har revor, har smält eller är sliten, byts slangen ut innan anordningen används.
- Rekommenderad slanglängd är 0,5 m. Slangens längd får inte överstiga 1,5 m.
- Säkerställ att slangen är fri från trassel när den monteras.
- Byt ut slangen innan det utgångsdatum som är tryckt på den.

Tekniska data

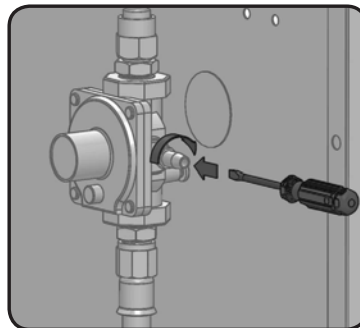
Följande tabell innehåller anordningens ingångsvärden.

Brännare	Mynnings storlek	(brutto) Värmetillförsel (total)	Gasanvändning (total)
Huvudenhet	1.07mm (#58)	16.0 kw	1160 g/hr
Sida	0.82mm	2.4 kw	174 g/hr

Godkända gaser och tryck. Kontrollera märkskylt för att säkerställa att det överensstämmer med följande lista.

Gaskategori	3B/P(30)	3+(28-30/37)	3B/P(37)	3B/P(50)
Mynningsstorlek (se ovan)	I	I	I	I
Gaser/tryck	Butan 30mbar Propan 30mbar	Butan 28-30mbar Propan 37mbar	Butan 37mbar Propan 37mbar	Butan 50mbar Propan 50mbar
Länder	BE, BG, CY, DK, EE, FI, FR, GB, HR, HU, IS, IT, LT, LU, MT, NL, NO, RO, SE, SI, SK, TR	BE, CH, CY, CZ, ES, FR, GB, GR, IE, IT, LT, LU, LV, PT, SK, SI	PL	AT, CH, DE, SK

Manipulera eller modifiera inte med reglaget. Använd enbart reglage som klarar det tryck som anges i tabellen ovan. Ett reglage på 28-30 mbar måste användas för butan och ett reglage på 37 mbar för propan. Grillen är utrustad med ett inre reglage. Detta inre reglage har ett expansionsstryck på 24,5 mbar för gasol och får inte modifieras eller justeras. Vid utbyte får endast sådant reglage användas som anges av tillverkaren.



Denna enhet inkluderar en intern regulator som stabiliserar gastrycket och förbättrar grillens prestanda. Regulatorn kan inte regleras. En tryckgivare finns placerad på regulatorns sida. Den kan användas av en kvalificerad reparatör vid underhållsarbete eller reparation av grillen för att fastställa om regulatorn fungerar korrekt. Skruven inuti tryckgivaren måste alltid vara åtdragen, förutom när regulatorn tryckprovas (utförs endast av kvalificerad servicepersonal).

Instruktioner för läckttest

WARNING! Läckttest måste utföras årligen samt var gång en tub ansluts eller om någon del av gassystemet byts ut.

WARNING! Använd aldrig en öppen låga för att leta efter gasläckor. Se till att inga gnistor eller öppna lågor finns i området när du letar efter läckor. Gnistor eller öppna lågor resulterar i brand eller explosion, egendomsskada, allvarlig kroppsskada eller dödsfall.

Läckttest: Detta måste utföras innan grillen används första gången, årligen samt var gång någon gaskomponent har bytts ut eller reparerats. Rök inte medan testet utförs och avlägsna allt som kan antändas. Läs mer i Diagram för läckttest för att se vilka områden som ska kontrolleras. Stäng av alla brännarreglage. Slå på ventilen för gastillförsel.

Pensla på en lösning av hälften flytande två och hälften vatten på alla skarvar och kopplingar på reglage, slang, grenrör och ventiler.

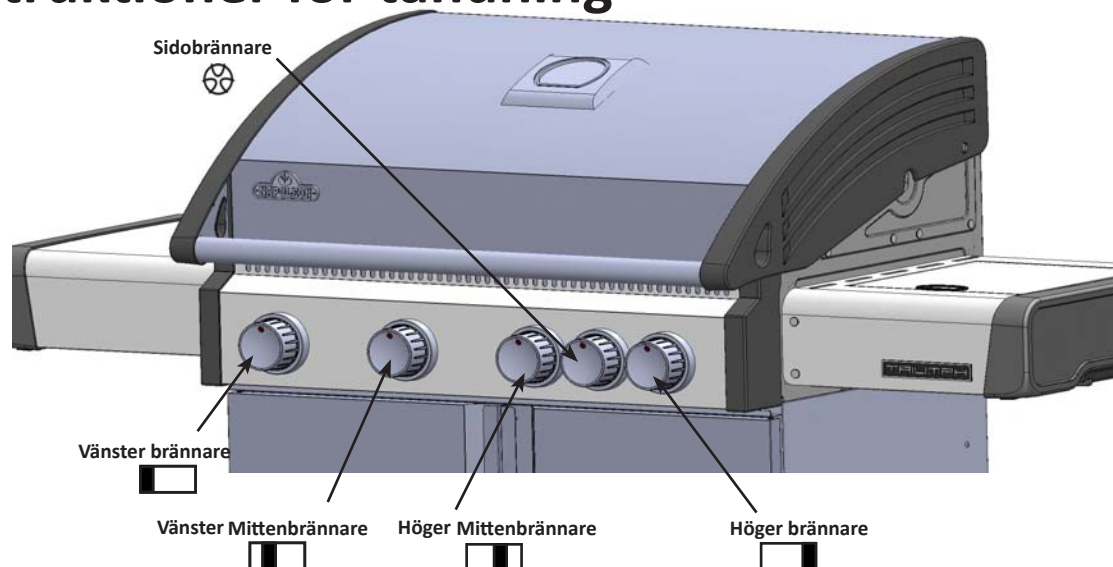
Bubblor indikerar en gasläcka. Dra antingen åt de lösa skarvarna eller byt ut delen mot en som rekommenderas av Napoleons kundtjänst och låt en auktoriserad gasinstallatör kontrollera grillen.

Slå genast av gastillförseln om läckan inte kan stoppas. Koppla från gastillförseln och låt en auktoriserad gasinstallatör eller försäljare kontrollera grillen. Använd inte grillen förrän läckaget är avhjälpt.



SE

Instruktioner för tändning



WARNING! Öppna locket.

Avstängt läge



WARNING! Säkerställ att alla brännarreglage är avstängda. Slå på ventilen för gastillförsel.

Tändning av huvudbrännare	Tändning av bakre brännare (om sådan finns)	Tändning av sidobrännare (om sådan finns)
1. Öppna grillens lock.	1. Öppna grillens lock.	1. Öppna sidobrännarens skydd.
2. Tryck in och vrid sakta valfri knapp på huvudbrännaren till läget "hi". På så sätt tänds tändlågan som i sin tur tänder vald brännare. Om tändlågan tänds, fortsätt att trycka ner kontrollknappen till dess att brännaren tänds. Släpp sedan knappen.	2. Avlägsna varmhållningsgallret.	2. Tryck in och vrid försiktigt sidobrännarens kontrollknapp till läget "hi". Detta tänder sidobrännaren.
3. Om lågan inte tänds ska kontrollknappen omedelbart vridas tillbaka till läget "off" varefter steg 2 upprepas flera gånger.	3. Tryck in och vrid sakta rotisseriebrännarens kontrollknapp till läget "hi". På så sätt tänds tändlågan som i sin tur tänder brännaren. Om tändlågan tänds, fortsätt att trycka ner brännarens kontrollknapp till dess att brännaren tänds. Släpp sedan knappen.	3. Om brännaren inte tänds ska kontrollknappen omedelbart vridas tillbaka till läget "off" varefter steg 2 upprepas flera gånger.
4. Om lågan eller brännaren inte tänds inom 5 sekunder vrids kontrollknappen till läget "off". Vänta 5 minuter så att överskottsgasen försvinner. Upprepa steg 2 och 3 eller tänd med en tändsticka.	4. Om brännaren inte tänds ska kontrollknappen omedelbart vridas tillbaka till läget "off" varefter steg 3 upprepas flera gånger.	4. Om brännaren inte tänds inom 5 sekunder vrids kontrollknappen till läget "off". Vänta 5 minuter så att överskottsgasen försvinner. Upprepa steg 2 och 3 eller tänd med en tändsticka.
5. Om enheten tänds med en tändsticka, dra tändstickan mot den medföljande tändstaven. Håll den tända stickan ned genom grillen och droppskyddet medan motsvarande brännarventil vrids till högt läge.	5. Om brännaren inte tänds inom 5 sekunder vrids kontrollknappen till läget "off". Vänta 5 minuter så att överskottsgasen försvinner. Upprepa steg 3 och 4 eller tänd med en tändsticka.	



SE

ANVÄNDNING AV GRILLEN

Första tändning: När gasgrillen tänds första gången avger den en lätt doft. Detta är ett helt normalt och tillfälligt tillstånd som orsakas av inbränningen av inre färger och smörjmedel som används under tillverkningen och kommer inte att uppstå igen. Kör bara huvudbrännarna på hög i ungefär en halvtimme.

Användning av huvudbrännare: När mat ska brynas, rekommenderar vi att grillen värms upp genom att alla brännare sätts på högsta värme med stängt lock i ungefär tio minuter. Mat som ska tillagas under kortare tid (fisk och grönsaker) kan grillas med öppet lock. Tillagning med stängt lock ger högre och jämnare temperaturer som kan minska tillagningstiden och ge en jämnare tillagning. Livsmedel med längre tillagningstid än 30 minuter, som exempelvis stekar, kan tillagas indirekt (där den brännare tänds som är mitt emot matens placering). Vid tillagning av magert kött, som kycklingbröst eller magert fläskkött, kan grillen oljas innan uppvärmning för att minska risken för att det fastnar. Tillagning av kött med högt fetthinnehåll kan orsaka uppflamning. Putsa bort fett eller sänk temperaturen för att förhindra detta. Flytta köttet från flammorna och sänk värmen om uppflamning uppstår. Lämna locket öppet. Se Napoleons kokbok *Grillning för alla säsonger* för mer information.

Direkt tillagning: Placera maten som ska tillagas på grillen direkt över värmen. Denna metod används vanligtvis för att bryna livsmedel som inte kräver förlängda tillagningstider, exempelvis hamburgare, köttskivor, kycklingdelar eller grönsaker. Livsmedlen bryns först för att innesluta safter och smak och därefter sänks temperaturen för att avsluta tillagningen efter dina önskemål.

Indirekt tillagning: Tänd en eller fler brännare och placera livsmedlen som ska tillagas på grillen över en brännare som inte används. Värmen cirkulerar runt livsmedlen och tillagar dem sakta och jämnt. Tillagning enligt denna metod är i stort sett detsamma som tillagning i ugn och används vanligtvis för stora köttbitar som stekar, kyckling eller kalkon, men kan också användas för livsmedel som är benägna att flamma upp eller för rökning. Lägre temperaturer och längre tillagningstider ger ett mörjt resultat.

Användning av bakre brännare (om sådan finns): Avlägsna uppvärmningsgallret före användning. Grillgaller ska också avlägsnas om de hindrar rotiseriet. Den bakre brännaren är utformad för att användas tillsammans med rotiseriekitet (medföljer de flesta bakre brännare) som finns hos din återförsäljare. Se instruktioner för montering av rotiseriekitet.

Avlägsna rotiseriemotorn från gasgrillen för att använda motvikten. Placera grillspettet med kött som ska tillagas över hängarna i grillen. Köttet hänger naturligt med den tunga sidan nedåt. Dra åt motviktens arm och vikten så att armen är vänd uppåt. Dra motvikten in eller ut för att balansera lasten och dra åt när den är rätt placerad. Sätt tillbaka motorn och börja tillagningen. Placera ett fat i metall under köttet för att samla upp droppande fett för ösning och för en naturligt välsmakande sky. Vätska för ösning kan tillsättas efter behov. För att innesluta safterna används först den bakre brännaren på hög värme varefter värmen sänks för att maten ska bli helt tillagad. Håll locket stängt för bästa resultat. Stekar och fågel får perfekt färg på utsidan och blir saftiga och möra på insidan. EN kyckling på cirka 1,5 kg tar ungefär 1 ½ time att tillaga med rotiserie på medium till hög värme. Se Napoleons kokbok *Grillning för alla säsonger* för mer information.



WARNING! Grillsås och salt kan vara frätande och ger en snabb försämring av gasgrillens delar om de inte rengörs regelbundet. Efter avslutad matlagning monteras rotiseriedelarna isär och tvättas noggrant med varmt tvålatten samt förvaras inomhus.

Användning av sidobrännare med låga (om sådan finns): Sidobrännaren kan användas som vilken annan spisplatta som helst till sås, soppor osv. För bästa resultat ska gasgrillen placeras med vindsyddad sidobrännare. Rekommenderad kastrulldiameter är 60 till 220 mm.



WARNING! Grilla aldrig livsmedel direkt på sidobrännarens galler. Detta är endast konstruerat för att användas med kastruller och stekpannor.



WARNING! Stäng inte sidobrännarens lock när den används eller är varm.

WARNING! Använd inte sidobrännaren för fritering eftersom matlagning med olja kan ge upphov till en farlig situation.

Instruktioner för underhåll / rengöring

Vi rekommenderar att denna gasolgrill kontrolleras och servas årligen av kvalificerad servicepersonal.



WARNING! Använd alltid skyddshandskar och skyddsglasögon vid rengöring av grillen.



WARNING! För att undvika risken för brännskador ska underhållsarbete endast utföras när grillen är kall. Undvik oskyddad kontakt med varma ytor. Säkerställ att alla brännare är avstängda. Rengör grillen på en yta där rengöringsmedel inte skadar altandäck, gräsmatta eller uteplats. Använd inte rengöringsmedel för ugn för att rengöra någon del av denna gasolgrill. Använd inte en självrengörande ugn för att rengöra grillgaller eller någon annan del av gasolgrillen. Grillsås och salt kan vara frätande och ger en snabb försämring av gasolgrillens delar om de inte rengörs regelbundet.



Observera: Rostfritt stål har en förmåga att oxideras eller fläckas tillsammans med klorid eller sulfid, i synnerhet längs med kusten och annan kärv miljö som exempelvis den varma, fuktiga luften runt pooler och badtunnor. Dessa fläckar kan uppfattas som rost men kan enkelt avlägsnas eller förhindras. Tvätta alla ytor i rostfritt stål med rent vatten och/eller rengöringsmedel för rostfritt stål var tredje till fjärde vecka eller så ofta som krävs för att förhindra och avlägsna fläckar.



WARNING! Stäng av gasen vid källan och koppla bort enheten innan service. För att undvika risken för brännskador ska underhållsarbete endast utföras när grillen är kall. Läcktest måste utföras årligen samt var gång någon komponent i gaskedjan har bytts ut eller gaslukt förekommer.

Grillgaller och varmhållningsgaller: Grillgaller och varmhållningsgaller rengörs bäst med en borste med mässingsborst under uppvärmningen. Stålull kan användas på envisa fläckar. Det är normalt att galler i rostfritt stål (om sådana finns) missfärgas permanent vid regelbunden användning genom tillagningsytans höga temperatur.

Grillgaller i gjutjärn: De grillgaller i gjutjärn som medföljer din nya grill har en överlägsen förmåga att bevara och fördela värmen. Genom att regelbundet smörja gallren tillför du ett skyddande hölje som står emot rost och gör att maten inte fastnar på gallret.

Första gången gallret används: Tvätta grillgallren för hand med mildt diskmedel och vatten för att avlägsna eventuella rester från tillverkningsprocessen (diska aldrig gallren i diskmaskin). Skölj noga med varmt vatten och torka helt med en mjuk trasa. Detta är viktigt för att undvika att fukt kommer in i gjutjärnet.

Smörjning: Använd en mjuk trasa, fördela VEGETABILISKT MATFETT över gallrets hela yta och se till att alla räfflor och hörn är täckta. Använd inte saltade fetter som smör eller margarin. Värm upp grillen i 15 minuter och placera därefter de insmorda grillgallren i grillen. Vrid brännarreglagets knapp till medium med locket stängt. Låt grillgallren värmas i ungefär en halvtimme. Vrid alla brännare till läget "AV" och stäng av gasen vid källan. Låt grillgallren vara kvar tills de har svalnat. Denna procedur ska upprepas flera gånger under säsongen, även om det inte krävs för daglig användning (följ proceduren för daglig användning nedan).

Daglig användning: Täck grillgallrets hela övre yta med VEGETABILISKT MATFETT innan uppvärmning eller rengöring med en borste med mässingsborst. Värm upp grillen och borsta därefter bort oönskade rester med en borste med mässingsborst.

Grillgaller i rostfritt stål: (uppgraderingskit finns tillgängligt, se listan över reservdelar). Grillgaller i rostfritt stål är hållbara och står emot rost. De kräver mindre smörjning och underhåll än grillgaller i gjutjärn. Du rekommenderas att följa proceduren för daglig användning som anges ovan även om du kanske tycker att uppvärmning och rengöring av gallren med en stålborste räcker för dina grillbehov.

Kontrollpanel: Kontrollpanelens text är tryckt direkt på det rostfria stålet och kommer med rätt underhåll att förbli mörkt och läsbart. För rengöring av panelen används endast varmt tvålatten eller rengöringsmedel för rostfritt stål från din Napoleon-försäljare. Använd aldrig rengöringsmedel med slipmedel på några rostfria ytor, särskilt inte på trycket på kontrollpanelen eftersom den då gradvis kommer att gnidas bort.

Rengöring inuti gasolgrillen: Ta bort grillgallren. Använd en borste med mässingsborst för att rengöra löst skräp från gallrets sidor samt från locket undersida. Skrapa droppskydden med en spackelkniv eller skrapa och använd en stålborste för att avlägsna askan. Avlägsna droppskydden och borsta bort skräp från brännarna med mässingsborsten. Sopa ner allt skräp från gasolgrillens insida i droppträget.

Belysning: Infoga en platt skruvmejselspets mellan linsen och höljet och vicka försiktigt för att avlägsna linsen från lamphöljet. **Vidror inte halogenlampan. Fettet från dina fingrar förkortar halogenlampans livslängd.** Vid rengöring av linsen blots den först i varmt tvålatten och rengörs därefter med en trasa och rengöringsmedel utan slipmedel. När linsen ska sättas tillbaka knäpps den enkelt fast i höljet.

Dropptråg: Lagrat fett är en brandrisk. Rengör droppträget ofta (efter 4-5 användningar eller så ofta som behövs) för att undvika påbyggnad av fett. Fett och överskottsdroppar passerar genom droppträget under gasolgrillen och samlas i engångsfettuppsamlaren under droppträget. Dra loss droppträget från grillen för att komma åt engångsfettuppsamlaren eller för att rengöra droppträget. Fyll aldrig droppträget med aluminiumfolie, sand eller något annat material eftersom detta kan förhindra att fett flyter korrekt. Tråget ska skrapas ur med en spackelkniv eller skrapa. Byt ut engångsfettuppsamlaren var 2-4 vecka, beroende på hur mycket grillen används. Kontakta din Napoleon-återförsäljare för tillbehör.

Rengöring av yttre grilllyta: Använd inte rengöringsmedel med slipmedel eller stålull på några målade, emaljerade eller rostfria delar av din Napoleon-grill. Detta kommer att repa ytan. Yttre grilllytor ska rengöras med varmt tvålsvatten medan metallen fortfarande känns varm. Använd rengöringsmedel för rostfritt stål eller utan slipmedel för rengöring av ytor i rostfritt stål. Torka alltid i fibrernas riktning. Med tiden missfärgas delar i rostfritt stål av uppvärmningen, vanligtvis till en gyllene eller brun nyans. Missfärgningen är normal och påverkar inte grillens prestanda. Emaljerade delar måste hanteras med extra försiktighet. Den emaljerade ytan är glasliknande och flisas lätt vid slag. Emalj för förbättring av ytan finns att köpa från din Napoleon-återförsäljare.



WARNING! Slang: Kontrollera att slangen inte är sliten, smält, skuren eller har sprickor. Använd inte gasolgrillen om något av detta förekommer. Låt din Napoleon-återförsäljare eller en kvalificerad gasinstallatör byta ut delen.



Gasolbrännare: Brännarna är gjorda av tjockt rostfritt stål 304, men extrem hetta och en korroderande miljö kan orsaka rost på ytan. Denna kan avlägsnas med en borste med mässingsborst.

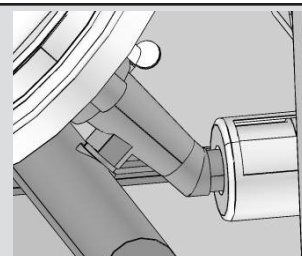
VAR FÖRSIKTIG! Varning för spindlar.

Spindlar och insekter dras till lukten av propan eller naturgas. Brännaren är utrustad med ett insektsnät på luftspjället, vilket minskar risken för att insekter bygger bo inuti brännaren men eliminerar inte problemet helt. Ett bo eller spindelväv kan få brännaren att brinna med en mjukt gul eller orange låga eller orsaka en brand (bakeld) vid luftspjället under kontrollpanelen. Vid rengöring av brännarens insida måste den avlägsnas från gasolgrillen: Avlägsna skruven som fäster brännaren vid den bakre väggen. Dra brännaren bakåt och uppåt för att ta loss den. Rengöring: Använd en flexibel borste för venturirör för att rengöra brännarens insida. Skaka ut eventuellt löst skräp från brännaren genom gasintaget. Kontrollera brännarens öppningar och ventilmynningar så att de inte är blockerade. Brännarens öppningar kan tillslutas med tiden på grund av skräp från matlagning eller korrosion. Använd ett öppet pappersgem eller medföljande underhållsverktyg för att rengöra dem. Borra ur blockerade öppningar med medföljande borrar i en liten sladdlös borrar. Öppningarna är enklare att rengöra om brännaren tas loss från grillen, men det kan också göras med monterad brännare. Böj inte borrar när öppningarna borrar eftersom detta får den att brytas av. Borret är endast för brännarens öppningar, inte för mässingmynningar (munstycken) som reglerar flödet in i brännaren. Se till att inte förstora hålen. Se till att insektsnätet är rent, tätt och fritt från skräp.

Sätta tillbaka brännaren: Utför processen i omvänd ordning för att sätta tillbaka brännaren. Kontrollera att ventilen angör brännaren vid montering.



WARNING! När brännaren sätts tillbaka efter rengöring är det mycket viktigt att ventilen eller mynningen går in i brännarens rör innan gasolgrillen tänds. Om ventilen inte är innanför brännarens rör kan brand eller explosion uppstå.



Aluminiumgjutningar: Rengör regelbundet gjutningarna med varmt tvålsvatten. Aluminium rostar inte men höga temperaturer och vittring kan ge upphov till oxidering på aluminiumytor. Detta visar sig som vita fläckar på gjutningarna. Rengör först och slipa därefter lätt med fint sandpapper för att laga ytan. Torka av ytan för att avlägsna eventuella rester och måla med värmebeständig grillfärg. Skydda omgivande områden från att sprejas. Följ tillverkarens riktlinjer för kurering.

Felsökning

Problem	Möjliga orsaker	Lösning
Låg värme/liten låga när ventilen är inställd på hög.	För propan: felaktig tändningsrutin. För naturgas: otillräcklig storlek på matarledning. För båda gaser: otillräcklig uppvärmning.	Säkerställ att tändningsrutinen följs noggrant. Alla gasolgrillars ventiler måste vara i avstängt läge när tankventilen slås på. Slå på tanken långsamt så att trycket utjämnas. Se instruktionerna för tändning. Röret måste dimensioneras enligt installationskoden. Värm upp grillen med båda huvudbrännarna på hög värme i 10-15 minuter.
Häftiga uppflamningar/ojämn värme.	Felaktig uppvärmning. Överflödigt påbyggnad av fett och aska på droppskydd och i dropptråg.	Värm upp grillen med båda huvudbrännarna på hög värme i 10-15 minuter. Rengör regelbundet droppskydd och dropptråg. Täck inte pannan med aluminiumfolie. Se instruktioner för rengöring.
Brännare brinner med gul låga tillsammans med gaslukt.	Eventuell spindelväv eller annat skräp, alternativt felaktig inställning av luftspjäll.	Rengör brännaren noga genom att ta bort den. Se allmänna instruktioner för underhåll.
Surrande regulator.	Uppstår helt normalt under varma dagar.	Detta är inget fel. Det orsakas av inre vibrationer i regulatorn och påverkar inte gasolgrillens prestanda eller säkerhet. Surrande regulatorer byts inte ut.
Brännarna tänder inte varandra.	Igensatta öppningar vid brännarens baksida.	Rengör brännarens öppningar. Se instruktioner för brännarunderhåll.
Färgen verkar flagna inuti locket eller kåpan.	Påbyggnad av fett på inre ytor.	Detta är inget fel. Ytan på locket och kåpan är emalj och flagnar inte. Flagandet orsakas av förhårdnat fett vilket torkar till färgliknande skärvor som flagar av. Regelbunden rengöring förhindrar detta. Se instruktionerna för rengöring.

BEHÅLL DITT KVITTO SOM ETT BEVIS AV INKÖPET FÖR ATT BEKRÄFTA DIN GARANTI.

Beställning av ersättningsdelar

Garantiinformation

MODELL: _____

INKÖPSDATUM: _____

SERIENUMMER: _____

(Registrera information här för enklare referens)

Innan kundtjänstavdelningen kontaktas, kontrolleras NAC:s webbplats för mer utförliga instruktioner om rengöring, underhåll, felsökning och byte av delar på www.napoleongrills.com. Kontakta fabriken direkt för ersättningsdelar och garantianspråk. Vår kundtjänstavdelning finns tillgänglig kl. 9.00-17.00 (EST) på 1-866-820-8686 eller fax på 1-705-727-4282. För att behandla ett garantianspråk behöver vi följande information:

1. Enhetens modell och serienummer.
2. Artikelnummer samt beskrivning.
3. En kortfattad beskrivning av problemet ("trasig" räcker inte).
4. Inköpsbevis (kopia på fakturan).

I vissa fall kan vår kundtjänstpersonal begära att delarna returneras till fabriken för kontroll innan ersättningsdelar tillhandahålls. Delarna måste skickas med förbetald frakt till kundtjänstavdelningen med följande information bifogad:

1. Enhetens modell och serienummer.
2. En kortfattad beskrivning av problemet ("trasig" räcker inte).
3. Inköpsbevis (kopia på fakturan).
4. Returnummer, erhållet av kundtjänstpersonalen.

Innan kundtjänst kontaktas, notera att följande problem inte ersätts av garantin:

- Kostnad för frakt, arvode eller exporttullar.
- Arbetskostnad för borttagande och ommontering.
- Kostnader för servicesamtal för att diagnostisera problem.
- Felfärgning av delar i rostfritt stål.
- Felaktigheter orsakade av bristande rengöring och underhåll eller användning av olämpliga rengöringsmedel (ugnsrengöring).



VAR FÖRSIKTIG! Under uppäckning och montering rekommenderar vi att du använder arbetshandskar och säkerhetsglasögon som skydd. Även om vi anstränger oss för att göra monteringen så problemfri och säker som möjligt, kännetecknas den av färdiga ståldelar som kan ha skarpa kanter och hörn som kan orsaka skärskador om de inte hanteras på rätt sätt.

Komma igång



1. Avlägsna alla paneler, hårdvara och grillhuvud från kartongen. Lyft på locket och ta bort eventuella delar som finns paketerade inuti. Använd detaljlistan för att säkerställa att alla nödvändiga delar medföljer.
2. Förstör inte förpackningen förrän gasogrillen har monterats i sin helhet och fungerar till din belåtenhet.
3. Montera grillen där den ska användas. Lägg ner kartong eller en handduk för att förhindra att delar försvinner eller skadas under monteringen.
4. De flesta delar i rostfritt stål levereras med ett skyddande plasthölje som måste avlägsnas innan grillen används.
5. Följ alla instruktioner i den ordning som de visas i denna handbok.
6. Två personer krävs för att lyfta på grillhuvudet på den monterade grillvagnen.

Om du har några frågor om grillens montering eller drift, eller om det fanns några skadade eller saknade delar, ring vår kundtjänstavdelning på 1-866-820-8686 kl. 9.00-17.00 (EST).

VERKTYG KRÄVS FÖR MONTERING (ingår ej)

3/8" and 5/8"
Skruvnyckel,
spärranordning
eller drivrem



Platta och skruvmejslar
från Philips



Tång



Hammare





FAX TILL: 705 727 4282

ORDERFORMULÄR FÖR TILLBEHÖR OCH DELAR

SKRIV TYDLIGT

KONTAKT, NAMN: _____

SKICKAS TILL: _____

TEL : _____

FAX : _____

E-POST: _____

VISA ELLER MASTERCARD, KORTNUMMER: _____ UTGÅNGSDATUM: _____

UNDERSKRIFT: _____

MÄNGD	ARTIKELNUMMER	BESKRIVNING

SKATTER KAN TILLKOMMA
EXTRA FRAKT

OM BEKRÄFTELSE ERFORDRAS, ANGE FAXNUMMER ELLER E-POSTADRESS

SE

Газовый гриль должен эксплуатироваться исключительно вне помещения, в хорошо проветриваемом месте и не должен эксплуатироваться внутри здания, гаража, под навесом или любой другой замкнутой площади.



495, 495SB



ОПАСНОСТЬ

ЕСЛИ ПРИСУТСТВУЕТ ЗАПАХ ГАЗА:

- Выключите установку.
- Погасите любое открытое пламя.
- Откройте крышку.
- Если запах не развеивается отойдите от установки и свяжитесь с поставщиком газа или пожарной охраной.



ВНИМАНИЕ

Проводите розжиг данного устройства только после прочтения раздела инструкции, посвященного розжигу.

Не храните бензин или другие легковоспламеняющиеся жидкости или пары рядом с данным или каким-либо другим грилем. Не храните баллоны с СУГ рядом с данным или каким-либо другим грилем. Несоблюдение данных указаний может привести к ущербу частной собственности, травмам или смерти.

Устанавливающему на заметку: Оставьте данную инструкцию владельцу гриля в качестве справочного материала.



БЛАГОДАРИМ ЗА ВЫБОР ПРОДУКЦИИ ТОРГОВОЙ МАРКИ NAPOLEON

Продукция торговой марки NAPOLEON поставляются с высококачественными компонентами и материалами и собираются обученными работниками, которые гордятся своей работой. После сборки горелки и клапана проверяются на утечку газа и проводится пусковая проверка на сертифицированных станциях контроля качества. Перед упаковкой и отгрузкой квалифицированные работники провели тщательный осмотр гриля, чтобы убедиться, что Вы, потребитель, получите качественную продукцию, как и ожидаете от компании Napoleon.

Наши усилия направлены на удовлетворение ваших потребностей, «наш ценный клиент» Наша цель – обеспечить вас всеми необходимыми инструментами для незабываемого опыта использования гриля. Данное руководство обеспечит вас информацией по сборке, установке, ремонту и надлежащему техническому обслуживанию гриля. Перед началом эксплуатации вашего нового гриля необходимо прочитать полностью данное руководство и изучить меры предосторожности работы и характеристиками, которыми обладает гриль. Тщательно соблюдайте данные инструкции, чтобы гриль исправно работал годами. Если данная продукция не отвечает вашим требованиям, по каким-либо причинам, пожалуйста, свяжитесь с нашим отделом по обслуживанию клиентов по телефону 1-866-820-8686 с 9:00 до 17:00 (по восточному времени) или посетите наш веб-сайт www.napoleongrills.com.

Ограниченная гарантия на газовые грили Napoleon

Компания Наполеон гарантирует отсутствие в вашем новом газовом гриле Napoleon дефектов материала и изготовления в течение 10 лет. Такая гарантия распространяется на литые алюминиевые детали (кроме окрашенных), боковые полки (кроме окрашенных), панели управления из нержавеющей стали (кроме трафаретной печати), горелки из нержавеющей стали, стальные и пластиковые крышки и вставки основы, а также ручки крышек на следующих условиях: в течение первых пяти лет компания Napoleon обеспечивает запасные детали бесплатно. С шестого по десятый год пользования компания Наполеон обеспечивает запасные детали с 50%-ной скидкой от текущей розничной стоимости.

На такие детали, как стальные или пластиковые поддоны, решетки для приготовления пищи из нержавеющей стали или чугуна, вентили с системой зажигания, датчики температуры, ручки и керамические инфракрасные горелки (кроме экранов) также распространяется и гарантия, и компания Napoleon предоставляет бесплатные запасные детали в течение двух лет ограниченной гарантии.

На все другие детали, включая регуляторы, колеса, нагревательные подставки, шланги и соединители, I-GLOW™, крепежные детали и аксессуары, также распространяется гарантия, и компания Napoleon предоставляет бесплатные запасные детали в течение первого года ограниченной гарантии.

Компания Napoleon не несет ответственности за транспортные расходы, трудозатраты или экспортную пошлину.

Условия и ограничения

“NAPOLEON гарантирует выполнение гарантийных обязательств первоначальному покупателю при условии, что покупка была проведена через уполномоченного поставщика NAPOLEON и является объектом условий и ограничений указанных далее:”

Заводская гарантия не подлежащая передаче другому лицу и не может быть продлена представителями.

Газовый гриль должен устанавливаться лицензированным, уполномоченным специалистом.

Гарантия, ограниченная определенным сроком не возмещает убыток, нанесенный неправильным использованием, недостаточным техническим обслуживанием, пожаром, возникшим от возгорания жира на гриле, неблагоприятными окружающими условиями, халатностью, неправильной эксплуатацией установленных деталей, использованием неподходящих деталей.

Данная гарантия, ограниченная определенным сроком не распространяется на царапины, вмятины, изменение цветового покрытия от жара, абразивной очистки поверхностей и химической очистки, трещины деталей с керамической эмалью или других элементов газового гриля.

Замена деталей предоставляется при условии износа деталей до степени потери работоспособности в период действия гарантийного срока.

В первый год эксплуатации, данное гарантийное обязательство распространяется на замену деталей по гарантии, имеющих заводской брак, при условии, что деталь эксплуатировалась при обычных условиях в соответствии с инструкциями по эксплуатации.

В последующие годы, в соответствии с правилами ограниченной пожизненной гарантии NAPOLEON, может, по своему усмотрению, полностью освободиться от всех обязательств в отношении возмещения стоимости деталей с браком первоначальному покупателю.

NAPOLEON не берет на себя ответственность за установку, работы или другие издержки, относящиеся к повторной установке деталей по гарантии, подобные издержки не обеспечиваются.

Невзирая на любые положения, содержащиеся в ограниченной пожизненной гарантии NAPOLEON в данном, вышеописанном гарантийном обязательстве обуславливается, что не происходят выплаты любых косвенных, непреднамеренные и случайных убытков.

Данная гарантия определяет различные обязательства NAPOLEON в отношении газового гриля NAPOLEON, а действие любых других гарантийных обязательств, как прямых, так и косвенных, в отношении производимой продукции, деталей или аксессуаров исключается.

NAPOLEON не уполномочивает любых третьих лиц брать на себя любые другие обязательства в отношении продаж данной продукции.

NAPOLEON не берёт на себя ответственности за: выбросы пламени, обусловленные внешними условиями, такими как сильные ветра или недостаточная вентиляция.

Гарантия NAPOLEON не распространяется на любой ущерб, нанесенный неблагоприятными погодными условиями, градом, грубым обращением и химической очисткой.

Для выставления претензий по гарантии NAPOLEON необходимо приложить к претензии чек на проданный товар или его копию, вместе с серийным номером и номером модели гриля.

NAPOLEON оставляет за собой право проведения своими представителями осмотров продукции и деталей перед осуществлением работ по гарантии.



ВНИМАНИЕ! Несоблюдение данных указаний может привести к ущербу частной собственности, травмам или смерти. Прочитайте и следуйте всем предупреждениям и указаниям, данным в инструкции.

Практика безопасной эксплуатации

- Данный газовый гриль должен быть в точности собран согласно указаниям, изложенным в данном руководстве. Если гриль собирали в магазине, вы должны проверить правильность сборки и убедиться в отсутствии утечки газа.
- Полностью прочитайте инструкцию перед тем, как приступить к эксплуатации газового гриля.
- В устройство газового гриля не должно вноситься никаких изменений или модификаций.
- Тщательно следуйте указаниям по розжигу во время эксплуатации гриля.
- Вентиль подачи природного газа или пропана должен быть полностью закрыт, когда гриль не эксплуатируется.
- Не допускайте нахождения детей и домашних животных вблизи гриля, НЕ позволяйте детям забираться внутрь корпуса.
- Не оставляйте детей без присмотра около гриля, не позволяйте им играть с установкой.
- Данное устройство не предназначено для использования людьми (и детьми) со сниженными физическими, сенсорными или умственными способностями, или с отсутствием опыта, помимо случаев, когда им были даны чёткие указания, и они выполняют работы под руководством лица, ответственного за их безопасность.
- Не оставляйте работающий гриль без присмотра.
- Не перемещайте гриль во время эксплуатации.
- Данный гриль предназначен только для домашнего пользования.
- Данный газовый гриль не должен устанавливаться в или на жилых автофургонах и / или лодках.
- Газовый гриль должен храниться исключительно вне помещения в хорошо проветриваемом месте и не должен эксплуатироваться внутри здания, гаража, под навесом или любой другой замкнутой площади.
- Сохраняйте дистанцию между грилем и горючими материалами (16" (410mm) от задней стенки установки и 7" (178 мм) по бокам). Рекомендуем оставлять большие пространства, если речь идёт о виниловой обивке или оконных рамах.
- Все вентиляционные отверстия корпуса баллона должны быть в чистоте и порядке.
- Запрещена эксплуатация установки, расположенной под какой либо конструкцией сгораемого типа.
- Располагайте гриль таким образом, чтобы он был защищён от ветра. Сильный ветер негативно сказывается на кулинарных показателях газового гриля.
- Когда газовый гриль хранится внутри помещения, баллон с пропаном должен быть отключен от гриля и храниться вне помещения в хорошо проветриваемом месте; баллоны не должны храниться внутри помещения, гаража или другой замкнутой площади. Установки, работающие на природном газе, должны быть отключены от линии подачи газа при хранении внутри помещения.
- Перед каждым использованием осмотрите газовые шланги. Если присутствуют доказательства повышенного износа, то шланг должен быть заменён на новый, одобренный производителем, до эксплуатации газового гриля.
- Не храните запасные баллоны с СУГ внутри или рядом с корпусом гриля.
- Не заправляйте баллоны больше чем на 80% от общего объёма.
- При замене газового баллона убедитесь, что неподалёку отсутствуют источники возгорания. Не курите.
- Регулярно убеждайтесь в отсутствии течи перед включением, даже если гриль был приобретён полностью собранным. Проводите испытания на герметичность ежегодно или при каждой замене газового баллона.
- Не используйте природный газ для питания установок, разработанных для работы на жидком пропане.
- Не пользуйтесь более лёгкими жидкостями в газовом гриле.
- Пользуйтесь только брикетами из древесного угля на поддоне для угля Napoleon, специально разработанном для данной установки.
- Все горелки должны быть выключены, во время присоединения баллона к грилю.
- Не включайте горелки при закрытой крышке.
- Не пользуйтесь задней горелкой одновременно с основной горелкой.
- Во время прогрева надлежит закрывать крышку.
- Не размещайте шланг под поддоном – обеспечьте достаточный зазор между днищем установки и шлангом.
- Следует проводить регулярную чистку подноса и заслонок во избежание скопления жира, которое может послужить причиной пожара, возникшего от возгорания жира на гриле.
- Снимите нагревательную подставку перед включением задней горелки. Жар может повредить нагревательную подставку.
- Убедитесь, что заслонки установлены согласно указаниям, данным в разделе, описывающем установку заслонок.
- Не храните зажигалки, спички или любые другие горючие материалы на боковых полках.
- Линия подачи газа не должна находиться вблизи нагретых поверхностей.
- Держите кабель электропитания на расстоянии от воды или нагретых поверхностей.
- Регулярно осматривайте трубки Вентури инфракрасных горелок на наличие посторонних предметов (например, паутина). Оперативно устраняйте засоры.
- Газовый гриль для приготовления пищи на улице и его индивидуальный запорный клапан необходимо отключать от системы газопровода во время проведения испытаний данной системы при уровнях давления, превышающих 0,5 фунта на квадратный дюйм (3,5 кПа).
- Газовый гриль для приготовления пищи на улице должен быть отключён от основной системы газопровода индивидуальным ручным запорным клапаном во время проведения испытаний данной системы при уровнях давления, превышающих 0,5 фунта на квадратный дюйм (3,5 кПа).



Надлежащая утилизация данного продукта

Данная маркировка означает, что данный продукт нельзя утилизировать вместе с бытовыми отходами на территории ЕС. Надлежит утилизировать устройство в соответствии со всеми надлежащими правовыми нормативами для содействия продолжительного повторного использования материальных ресурсов во избежание причинения вреда здоровью людей и окружающей природы от неконтролируемого размещения отходов. Для сдачи устройства, отработавшего свой ресурс, пожалуйста, воспользуйтесь системами сбора отходов или свяжитесь с поставщиком оборудования, у которого устройство было приобретено. Они могут принять устройство для надлежащей утилизации.

Газовый баллон

Пользуйтесь только газовыми баллонами, соответствующими национальным и региональным нормативам. Минимальный вес баллонов с бутаном - 13 кг, с пропаном – 6 кг. Убедитесь, что в баллоне достаточно газа для работы установки. Если вы не уверены, что в баллоне достаточно газа для работы установки, свяжитесь с поставщиком газовых баллонов.

- Проявляйте осторожность при использовании вентиля газового баллона.
- Запрещено пользоваться газовым баллоном, не соответствующим местным действующим стандартам.

Все баллоны весом от 7 кг должны храниться снаружи корпуса (под полкой с правой стороны) на ровной поверхности. Баллоны весом до 7 кг (до 465 мм в высоту и до 306 мм в ширину) можно хранить внутри корпуса, на нижней полке с правой стороны. Внутри или рядом с корпусом разрешено хранить только баллоны, непосредственно подсоединенные к грилю. Запрещено хранить запасные баллоны внутри корпуса или рядом с ним. Баллон не должен попадать под воздействие прямых солнечных лучей.



ВНИМАНИЕ! Убедитесь, что между шлангом и днищем гриля имеется свободное пространство. Шланги, соприкасающиеся с горячими поверхностями, могут расплавиться, дать течь и послужить причиной пожара.

Подсоединение баллона: Убедитесь, что шланг регулятора газа не имеет изгибов и не перекручен. Снимите крышку или извлеките пробку из вентиля. Прикрепите регулятор к вентилю газового баллона. Перед введением гриля в эксплуатацию убедитесь в отсутствии утечки газа. Проверка на наличие утечки должна проводиться ежегодно, каждый раз при подключении газового баллона, или при замене элемента газовой системы.



ВНИМАНИЕ!

- Не размещайте шланг под поддоном.
- Не размещайте шланг между нижней полкой и задней стенкой.
- Не размещайте шланг над верхом задней стенки.
- Затяните все ослабленные соединения при помощи двух гаечных ключей. Не используйте тефлоновую ленту или трубную смазку для соединений шланга.
- Убедитесь, что шланг не соприкасается с горячими поверхностями, это может послужить причиной деформации шланга и пожара.
- Не храните запасные шланги внутри корпуса, так как при подобном хранении увеличивается вероятность контакта шланга с горячими поверхностями, что может привести к пожару.

Газовый шланг

- Если шланг и регулятор не поставляются в комплекте с газовым баллоном, то надлежит пользоваться только шлангами и регуляторами, соответствующими национальным и региональным нормативам.
- Убедитесь, что шланг не вступает в контакт с жиром и не соприкасается с горячими жидкостями и поверхностями гриля.
- Регулярно проверяйте состояние шланга. В случае деформации, образования трещин или износа замените шланг перед использованием установки/
- Рекомендуемая длина шланга 0,5 м. Шланг не должен быть длиннее 1,5 м.
- При установке убедитесь в отсутствии дефектов газового шланга.
- Проводите замену газового шланга до истечения срока годности, указанного на шланге.

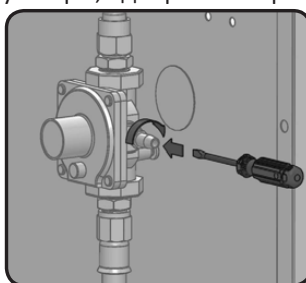
Технические данные

Горелка	Размер сопла	(Общий) (полный) подвод тепла	Потребление газа
Главная	1.07mm (#58)	16,0 кВт	1160 g/fhr
Боковая	0.82mm	2,4 кВт	174 g/fhr

Одобрённые газы / давление – проверьте табличку с паспортными данными и убедитесь, что она соответствует списку.

Категория газа	¹ ЗВ/Р(30)	¹ З+(28-30/37)	¹ ЗВ/Р(50)
Диаметры сопел (смотрите выше)	I	I	II
Газы / давления	Бутан 30 мбар Пропан 30 мбар	Бутан 28 - 30 мбар Пропан 37 мбар	Бутан 50 мбар Пропан 50 мбар
Страны	DK, FI, NL, NO, SE	BE, ES, FR, GB, IE, IT, PT	DE, AT

Не вносите никаких изменений или модификаций в устройство регулятора. Пользуйтесь регуляторами, обеспечивающими давление, указанное в вышеприведённой таблице. Для бутана следует использовать регулятор давления 28-30Мбар, для пропана – 37Мбар. Гриль также должен быть оборудован внутренним регулятором. Внутренний регулятор должен обладать давлением на выходе в 24,5 Мбар для пропана / бутана и 18,5 Мбар для природного газа; в его устройство не должно вноситься никаких изменений или модификаций. При необходимости замены регулятора рекомендуется приобретать регуляторы, одобренные производителем



Данная установка оборудована внутренним регулятором, который стабилизирует давление газа и повышает производительность гриля. Данный регулятор не подлежит настройке. Контрольный отвод расположен сбоку регулятора. Он может использоваться квалифицированным обслуживающим персоналом для определения надлежащей работы регулятора. Винт внутри контрольного отвода должен быть постоянно плотно закручен, за исключением моментов, когда проводится испытание регулятора под давлением (только квалифицированным обслуживающим персоналом).

Инструкции по испытаниям на герметичность



ВНИМАНИЕ! Проверка герметичности должна проводиться ежегодно, каждый раз при подключении газового баллона или при замене элемента газовой системы.



ВНИМАНИЕ! Запрещено использовать открытое пламя для проверок на наличие утечки газа. Убедитесь, что рядом с грилем отсутствуют искры или очаги открытого пламени. Искры или открытое пламя может привести к взрыву, ущербу частной собственности, тяжёлым травмам или смерти.



Испытание на герметичность: Необходимо провести испытание перед первым включением. Проводите испытания на герметичность ежегодно или при каждой замене газового баллона. Запрещено курение во время проведения испытания, также следует удалить все возможные источники возгорания. Смотрите схему испытания на герметичность для конкретных зон, подлежащих проверке. Поверните ручку горелки в верхнее положение. Откройте газоподающий вентиль.



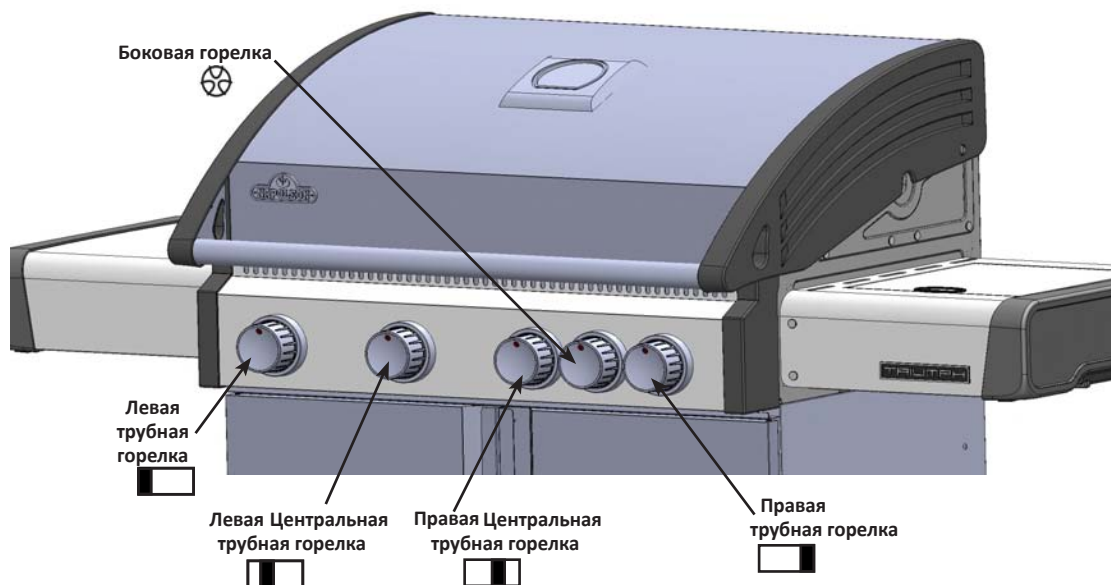
Нанесите мыльный раствор (вода и жидкое мыло в соотношении 50/50) на все соединения регулятора, шланга, коллектора и вентиляй.



Пузыри означают наличие течи. Либо затяните соединение, либо обратитесь в отдел работы с клиентами Napoleon или квалифицированным специалистам для замены деталей.

Если утечку невозможно устранить, немедленно выключите подачу газа, отключите баллон и обратитесь к квалифицированным специалистам. Не пользуйтесь грилем до устранения утечки.

Указания по розжигу



ВНИМАНИЕ! Откройте крышку /

Выключенное
положение (Off)

ВНИМАНИЕ! Убедитесь, что все горелки выключены. Откройте вентиль
поддачи газа.



Зажигание главной трубной горелки	Зажигание задней горелки (при наличии)	Зажигание боковой горелки (при наличии)
1. Откройте крышку гриля	1. Откройте крышку гриля	1. Откройте крышку боковой горелки
2. Нажмите и медленно поверните ручку управления центральной горелкой в положение «Вкл.». Это действие приведет к зажиганию запального устройства пилотной горелки, которое зажигает выбранную горелку. Если запальное устройство зажглось, продолжайте удерживать кнопку управления, пока горелка не зажжется, затем отпустите кнопку.	2. Снимите нагревательную подставку.	2. Нажмите и поверните ручку боковой горелки в верхнее положение
3. Если запальное устройство не загорелось, то надлежит немедленно перевести ручку в выключенное положение и повторить шаг 2 несколько раз.	3. При розжиге огня спичкой её можно прикрепить на палочку для розжига (предоставляется в комплекте). Держите зажженную спичку с правой стороны задней горелки. Включите заднюю горелку на полную мощность.	3. Нажмите и удерживайте кнопку розжига или воспользуйтесь спичкой.
4. Если запальное устройство и горелка не загорятся течение 5 секунд, необходимо перевести ручку в выключенное положение. Подождите 5 минут. Затем повторите шаги 2 и 3 или воспользуйтесь спичками.		4. Если горелка не загорится в течение 5 секунд, поверните ручку управления в положение «Выкл.» и подождите 5 минут, пока газ не выветрится. Затем повторите шаги 2 и 3 или воспользуйтесь спичками.
5. При розжиге огня спичкой её можно прикрепить на палочку для розжига (предоставляется в комплекте). Опустите зажженную спичку вниз к горелке, одновременно поворачивая соответствующую ручку для подачи газа в верхнее положение.		

RU



Пользование грилем

Первый розжиг: Когда гриль включён в первый раз присутствует слабый запах. Это нормальное временное явление вызванное выжиганием внутренней покраски и смазочных веществ, задействованных при производстве, и не случится повторно. Оставьте горелки включенными примерно на 30 минут.

Пользование главной горелкой: При жарке пищи мы рекомендуем предварительно прогреть гриль, включив все главные горелки на максимальный огонь при закрытой крышке приблизительно на 10 минут. Пищу, которая готовится быстро (рыба, овощи), можно жарить на гриле с открытой крышкой. Готовка при закрытой крышке обеспечивает более высокую температуру в гриле, что уменьшает время готовки и позволяет прожаривать мясо более равномерно. Пищу, время приготовления которой более 30 минут, например, жаркое, можно готовить непрямым способом (огонь горелки находится сбоку от приготавливаемой пищи). Для приготовления блюд из постного мяса, например куриной грудки или постной свинины, смазывайте решетку небольшим количеством масла перед нагреванием, чтобы избежать пригорания продуктов. Приготовление мяса с большим содержанием жира может привести к воспламенению стекающего жира. чтобы этого избежать, отрежьте жир или уменьшите температуру. Крышку держите открытой. Более подробная информация содержится в кулинарной книге Ваш всесезонный гриль.

Прямое приготовление: Поместите пищу над работающей горелкой. Данный метод приготовления обычно применяется для обжарки и для пищи не требующей увеличенного времени приготовления, такой как: гамбургеры, стейки, куриное филе или овощи. Пища сначала зажаривается для сохранения сока и вкуса, а затем температура понижается для завершения приготовления, согласно вашим требованиям.

Непрямой способ приготовления: При одной или нескольких работающих горелках, поместите пищу на гриль над неработающей горелкой. Циркуляция жара медленно и равномерно проводит тепловую обработку, готовя пищу. Приготовление подобным методом схоже с приготовлением в духовке и обычно, применяется для больших кусков мяса, таких как: жаркое, курица или индейка, но также может применяться и для пищи склонной к возгоранию, или для копчения. Понижение температуры и увеличения времени приготовления позволяет готовить более нежно обработанную пищу.

Пользование задней горелкой (при наличии): перед началом использования снимите нагревательную подставку, т.к. она может повредиться в результате сильного нагревания. Также следует убрать стальные решетки, если они препятствуют движению вертела. Задняя горелка предназначена для использования с комплектом вертелов (которые поставляются с большинством задних горелок), поставляемых вашим дилером. Смотрите инструкцию по сборке вертелов.

Для использования противовеса – снимите мотор вертела с газового гриля. Установите вертел с мясом, которое вы собираетесь приготовить, на кронштейны внутри гриля. Затяните плечо рычага противовеса и взвесьте для уравнивания. Установите мотор и начинайте готовить. Под мясом поставьте металлическую тарелку, чтобы в нее стекал жир с мяса для поливания во время готовки и приготовления натуральной вкусной подливы. По желанию можно добавить жидкость для поливания. Для запекания мяса в собственном соку сначала обжарьте мясо на горелке, включенной на максимум, до появления коричневой корочки, затем снизьте температуру и продолжайте готовить. Крышка должна быть закрыта. Мясо будет отлично прожарено снаружи, а внутри будет сочным и мягким. Например, курица весом 3 фунта (1,5 кг) хорошо прожарится на вертеле примерно за полтора часа на среднем огне. Более подробная информация содержится в кулинарной книге Ваш всесезонный гриль..



ВНИМАНИЕ! Соус для барбекю и соль могут быть коррозионными и привести к быстрому износу компонентов газового гриля, если их регулярно не чистить. После окончания готовки разберите компоненты вертела, тщательно промойте теплой мыльной водой, храните в закрытом помещении.

Использование боковой горелки (при наличии): боковую горелку можно использовать в качестве плиты для приготовления соусов, супов и т.д. Для лучшей работоспособности расположите газовый гриль таким образом, чтобы боковая горелка была защищена от ветра. Рекомендуемый диаметр сковороды от 60 до 220 мм./



ПРЕДУПРЕЖДЕНИЕ! Никогда не готовьте пищу непосредственно на решетке боковой горелки. Она предназначена для приготовления пищи только в горшках и сковородах.

ПРЕДУПРЕЖДЕНИЕ! Не закрывайте крышку боковой горелки во время ее использования или пока она горячая.

Инструкции по техническому обслуживанию/ чистке

Мы рекомендуем вызвать сертифицированных специалистов для тщательной проверки и ежегодного обслуживания. Не допускайте наличия горючих материалов, бензина и других легко воспламеняющихся жидкостей и горючих испарений вблизи газового гриля. Не закрывайте доступ для потока вентиляции и воздуха для сжигания. Вентиляционное отверстие корпуса баллона (расположенного сбоку тележки и спереди и сзади нижней полки) должно быть чистым и не закрытым.



ВНИМАНИЕ! При обслуживании гриля всегда надевайте защитные перчатки и очки.

ВНИМАНИЕ! Во избежание получения ожогов технический осмотр гриля следует проводить только тогда, когда он остынет. Избегайте контакта с горячими поверхностями без защитных средств. Убедитесь, что горелки выключены. Чистку гриля проводите в таком месте, где чистящие вещества не нанесут вред окружающей среде. не чистите части газового гриля чистящими средствами для духовки. Для чистки кулинарных решеток и других частей гриля не пользуйтесь посудомоечной машиной. Соусы для барбекю и соль могут быть коррозионными и привести к быстрому износу компонентов газового гриля, при отсутствии регулярной чистки.

ПРИМЕЧАНИЕ: Нержавеющая сталь имеет тенденцию к окислению или выцветанию в присутствии хлоридов и сульфидов, в особенности в прибрежных районах с тёплой атмосферой и повышенной влажностью, а также рядом с бассейнами и джакузи. Эти пятна похожи на ржавчину, но их легко удалить, и, несложно предотвратить их появление. Для предотвращения и удаления пятен чистите все поверхности из нержавеющей стали каждые 3-4 недели, или согласно необходимости, пресной водой и / или чистящим средством для нержавеющей стали.



ПРЕДУПРЕЖДЕНИЕ! Перед обслуживанием перекройте подачу газа и отключите оборудование. Во избежание получения ожогов проводите работы, только когда гриль остынет. Ежегодно проводите проверку соединений на утечку газа, а также в случаях замены компонентов газового блока или присутствия запаха газа.

Решётка и нагревательная подставка: Решётку и нагревательную подставку лучше всего чистить латунной проволочной щёткой во время подогрева гриля. Стальную проволочную щётку можно использовать для удаления наиболее трудных пятен. Нормальным явлением будет потеря изначального цвета решётки из нержавеющей стали (если используются) вследствие высоких температур при приготовлении пищи.

Чугунные решётки для приготовления пищи: Чугунные решётки для приготовления пищи, поставляемые с вашим новым грилем, гарантируют превосходное удержание и распространение тепла. Регулярная смазка ваших решёток добавляет защитное покрытие, которое способствует сопротивлению коррозии и увеличивает антипригарные характеристики.

Первое использование: Промойте решётки для приготовления пищи мягким мыльным раствором, смойте раствор и остатки технологического процесса водой (нельзя пользоваться посудомоечной машиной для чистки решёток). Тщательно ополосните решётки горячей водой, высушите решётки мягкой тканью. Это является важной мерой для предотвращения попадания влаги на чугун.

Смазка: Пользуясь мягкой тканью, распространите РАСТИТЕЛЬНЫЙ КОМБИЖИР по всей поверхности решётки, включая все неровности и углы. Не используйте солёные жиры, такие как масло или маргарин. Прогрейте ваш гриль на протяжении 15 минут, затем поместите обработанные решётки внутрь. Закройте крышку и установите ручку регулятора на среднюю интенсивность пламени. Решётка должна подвергаться термическому воздействию на протяжении примерно 30 минут. Выключите все горелки и перекройте подачу газа. Позвольте решёткам для приготовления пищи остынуть. Данную процедуру надлежит проводить примерно раз в месяц, хотя, это и не обязательно для ежедневного использования (далее следуют указания, касающиеся ежедневных процедур ухода за грилем).

Ежедневное использование: Перед включением гриля и чистки латунной проволочной щёткой, проведите обработку поверхностей решёток для приготовления пищи РАСТИТЕЛЬНЫМ КОМБИЖИРОМ. Затем прогрейте гриль и удалите нежелательные остатки латунной проволочной щёткой.

Решётки для приготовления пищи из нержавеющей стали: (поставляется комплект оборудования для модернизации – смотрите список запасных деталей). Решётки для приготовления пищи из нержавеющей стали устойчивы к коррозии и долговечны. Они не требуют частой смазки и ухода, в отличие от чугунных решёток для приготовления пищи. Необходимо, чтобы вы следовали ежедневным процедурам указанным ниже, хотя, возможно для вас окажется достаточным прогрев и чистка решёток проволочной щёткой.

Панель управления: Текстовая информация панели управления, напечатанная прямо на нержавеющей стали, при надлежащем уходе сохранит свой цвет и разборчивость для прочтения. Для чистки панели пользуйтесь только тёплой мыльной водой или чистящим средством для нержавеющей стали, которое можно приобрести у распространителя Napoleon. Не пользуйтесь абразивными чистящими средствами, особенно на части панели, содержащей текстовую информацию, или она постепенно сотрётся.

Чистка внутри газового гриля: Снимите решётки для приготовления пищи. Удалите нежелательные остатки латунной проволочной щёткой с боков литья и под крышкой. Для надлежащей чистки заслонки следует воспользоваться шпателю или скребком, затем удалите золу латунной проволочной щёткой. Удалите с заслонки нежелательные остатки латунной проволочной щёткой. Сметите нежелательные остатки, находящиеся в газовом гриле в поддон.

Подсветка: для снятия линзы с корпуса лампы вставьте конец плоской отвертки между линзой и корпусом и слегка подденьте. Не трогайте галогенную лампочку. Масло с ваших пальцев может сократить срок службы лампочки. Для чистки линзы, сначала поместите ее в горячий мыльный раствор, затем очистите с помощью ткани и неабразивного чистящего средства. Для повторной установки линзы просто вставьте ее обратно в корпус. /

Поддон: Скопившийся жир может стать причиной возгорания. Регулярно проводите чистку поддона (каждые 4-5 приготовлений пищи с применением гриля или по мере необходимости) во избежание скопления жира. Жир и капли жира проходят через поддон, расположенный под газовым грилем, и скапливаются в съёмном подносе для жира, расположенном под поддоном. Для доступа к съёмному подносу для жира или для чистки поддона отодвиньте поддон. Не выстилайте поддон алюминиевой фольгой, песком или другим материалом, так как это может помешать свободному перемещению жира. Для надлежащей чистки поддона следует воспользоваться шпателю или скребком. Следует менять съёмный поднос для жира каждые 2 – 4 недели, в зависимости от частоты использования гриля. Для предоставления запасных деталей обращайтесь к вашему поставщику газовых грилей Napoleon.

Чистка поверхности гриля: Не пользуйтесь абразивными чистящими средствами или стальную проволочную щётку для чистки керамических деталей или деталей из нержавеющей стали гриля Napoleon. Подобные методы уборки повреждают покрытие. Внешние поверхности гриля надлежит чистить тёплой мыльной водой, пока металл еще не окончательно остыл. Для чистки нержавеющей поверхностей пользуйтесь чистящим средством для нержавеющей стали или неабразивным чистящим средством. Всегда вытирайте поверхность по направлению зерен. Со временем детали из нержавеющей стали теряют окраску и приобретают золотой или коричневый оттенок. Потеря цвета не влияет на работоспособность гриля. Обращайтесь с деталями с керамической эмалью с особой осторожностью. Глазурованное декоративное покрытие, закреплённое горячей сушкой, напоминает стекло, и от удара может расколоться. При необходимости, Napoleon производит ремонт керамического покрытия.



ВНИМАНИЕ! Шланг: Проверьте шланг на наличие деформации, образования трещин или порезов. В случае, если какие-либо из вышеперечисленных дефектов присутствуют не пользуйтесь газовым грилем. Обратитесь к представителям Napoleon или квалифицированным специалистам для замены деталей.



Трубная горелка: горелки изготовлены из прочной нержавеющей стали 304, но сильное нагревание и коррозионная среда могут привести к образованию коррозии поверхности, которую можно удалить с помощью латунной проволочной щетки.

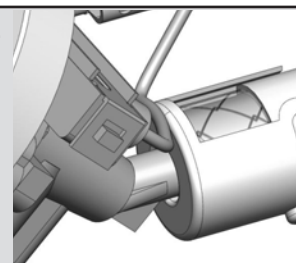
ОСТОРОЖНО! Берегитесь пауков.

Запах пропана и натурального газа притягивает пауков и насекомых. Горелка оснащена защитной сеткой от насекомых на воздушной заслонке, что снижает вероятность того, что насекомые заведутся внутри горелки, но не решает эту проблему до конца. Гнездо или паутина могут привести к тому, что пламя в горелке будет желтого или оранжевого цвета, либо может привести к возгоранию (обратному удару пламени) в воздушной заслонке под панелью управления. Перед чисткой внутренней части горелки, ее необходимо снять с газового гриля: Отвинтите болт, который крепит горелку к задней стенке. Чтобы снять горелку наклоните ее слегка назад, затем потяните вверх. Чистка: для чистки внутренней поверхности горелки используйте щетку для труб Вентури. Уберите остатки загрязнения из горелки через газопускное отверстие. Проверьте, не заблокированы ли выходные отверстия горелки и отверстия клапана. Выходные отверстия горелки могут закрываться из-за остатков пищи и коррозии, для очистки используйте развернутую канцелярскую скрепку или бурильное сверло. Высверлите отверстия с помощью этого бурильного сверла аккумуляторной дрели. Легче очистить отверстия, если горелка снята с гриля, но также чистку можно проводить и при установленной горелке. Во время сверления отверстий не допускайте деформацию сверла, т.к. это может привести к его поломке. Эта дрель предназначена только для отверстий горелки, а не для латунных насадок, которые регулируют поток газа в горелке. Следите за тем, чтобы не превышать размера отверстий. Убедитесь, что экран защиты от насекомых чистый, плотно установлен и на нем нет загрязнений.

Повторная установка: повторная установка горелки выполняется в обратном порядке. Убедитесь, что при установке клапан находится в горелке.



ВНИМАНИЕ! При установке горелки после чистки обратите особое внимание на надлежащее положение клапана / сопла по отношению к горелке перед включением вашего газового гриля. Если вентиль расположен ненадлежащим образом (вне трубы горелки), существует опасность взрыва или пожара.



Алюминиевое литьё: Периодически проводите чистку алюминиевых деталей тёплой, мыльной водой. Алюминий не ржавеет, но высокие температуры и износ могут вызвать окисление алюминиевых поверхностей. Они выглядят как белые пятна на поверхности деталей. Для устранения пятен, сначала проведите чистку, затем аккуратно обработайте поверхность мелкой наждачной бумагой. Протрите поверхность для устранения остатков и проведите покраску высокотемпературной краской для гриля. Защитите окружающие поверхности от случайного окрашивания. Следуйте указаниям по сушке, данным в инструкции.

Поиск и устранение неполадок

Неисправность	Возможная причина	Способ устранения неисправности
Низкий уровень тепла / пламени при полностью открытом вентеле.	Пропан – неправильный розжиг. Природный газ – недостаточная мощность линии подачи газа. Все типы газа – ненадлежащий прогрев.	Убедитесь, что розжиг был проведён в соответствии с указаниями. Все вентили гриля должны быть полностью закрыты, когда открывается вентиль цистерны. Медленно открывайте вентиль цистерны, давая давлению выровняться. Смотрите указания по розжигу. Размер трубы должен соответствовать правилам установки. Проведите прогрев гриля в течение 10 - 15 минут обеими основными горелками.
Чрезмерные выбросы пламени / неравномерный жар.	Неправильно установлены заслонки. Неправильно проведён прогрев. Излишки жира и отложения золы на заслонках и в поддоне.	Убедитесь, что заслонки установлены таким образом, что отверстия смотрят вперёд, а пазы расположены внизу. Смотрите указания по сборке. Проведите прогрев гриля в течение 10 - 15 минут обеими основными горелками. Регулярно проводите чистку заслонок и поддона. Не выстилайте поддон алюминиевой фольгой. Смотрите раздел по уборке.
При работе гриля пламя жёлтого цвета, присутствует запах газа.	Возможно, в горелку попал посторонний предмет (например, паутина), или неправильно проведена регулировка положения воздушной заслонки.	Проведите тщательную чистку горелки. Смотрите общие рекомендации по техническому обслуживанию.
Регулятор шумит.	Обычное явление в жаркий день.	Это не является дефектом. Вызвано внутренними вибрациями в регуляторе и не влияет на безопасность или безопасность газового гриля. Шумящие регуляторы не подлежат обмену.
Не происходит пересечения пламени горелок.	Засорены отверстия, расположенные на задней стороне горелки.	Прочистите отверстие горелки. Смотрите общие рекомендации по техническому обслуживанию.
“Краска” отслаивается внутри крышки или колпака.	Скопление жира на внутренних поверхностях.	Это не является дефектом. Покрытие крышки и колпака выполнено из керамики и не может отслоиться. Затвердевший жир принимает формы, похожие на куски отслаивающейся краски. Легко устраняется обычной чисткой. Смотрите указания по уборке.
Проскок пламени инфракрасной горелки (если есть) (во время работы раздаётся громкий свистящий шум сопровождающийся звуками проскока пламени и затуханием.)	На керамической теплозащитной плитке находятся излишки капель жира. Засорены отверстия. Перегрев горелки вследствие ненадлежащей вентиляции (слишком большая площадь гриля закрыта решёткой или сковородой.) Треснувшая керамическая теплозащитная плитка. Течь прокладки керамической теплозащитной плитки или разрушение сварного шва корпуса горелки.	Выключите горелку и оставьте её на две или более минуты. Повторно включите горелку и оставьте работать в верхнем положении на протяжении пяти минут или пока керамическая теплозащитная плитка не приобретёт равномерный, красный оттенок. Убедитесь, что не более 75 % поверхности гриля покрыто предметами или аксессуарами. Выключите горелку и оставьте её на две или более минуты, затем проведите повторное включение. Дайте горелке остыть и осмотрите её на предмет трещин. Если обнаружили трещины, то надлежит связаться с уполномоченным поставщиком газовых грилей Napoleon для замены горелки. Свяжитесь с уполномоченным поставщиком газовых грилей Napoleon для получения указаний, касающихся заказа новой горелки.

ХРАНИТЕ ТОВАРНЫЙ ЧЕК КАК ДОКАЗАТЕЛЬСТВО ПОКУПКИ, ПОДТВЕРЖДАЮЩЕЕ ВАШЕ
ГАРАНТИЙНОЕ СОГЛАШЕНИЕ

Заказ запасных деталей

Гарантийная информация

МОДЕЛЬ: _____

ДАТА ПРИОБРЕТЕНИЯ: _____

СЕРИЙНЫЙ НОМЕР: _____

(Дайте информацию для упрощения процедуры обработки запроса)

Перед тем как связываться с отделом работы с клиентами, проверьте сайт NAC (расположенный по адресу www.napoleongrills.com) на предмет указаний по более интенсивной чистке, техническому обслуживанию, обнаружению и устранению неполадок и замены деталей. Напрямую свяжитесь с заводом для замены деталей и проведения работ по гарантии. Наш отдел по работе с клиентами работает с 9 до 17 (североамериканское восточное время), с ним можно связаться по телефону 1-866-820-8686 или факсу 1-705-727-4282. Для обработки претензии, пожалуйста, предоставьте следующую информацию:

1. Модель и серийный номер установки.
2. Номер детали и её описание.
3. краткое описание неисправности (например, 'деталь сломалась' не является таковым)
4. Доказательство владения (фотокопия реквизитов).

В некоторых случаях представитель отдела работы с клиентами может попросить вернуть деталь на завод для проведения осмотра перед заменой детали. Данные детали высылаются с предварительной в отдел работы с клиентами со следующей приложенной информацией:

1. Модель и серийный номер установки.
2. Краткое описание неисправности (например, 'деталь сломалась' не является таковым)
3. Доказательство владения (фотокопия реквизитов).
4. Номер разрешения на возврат – предоставляется представителем отдела работы с клиентом.

Перед тем, как связываться с отделом работы с клиентами, пожалуйста, примите к сведению, что на следующие расходы не распространяется гарантия.

- Издержки по перевозке, фрахтовой комиссии или экспортным сборам.
- Оплата работ по демонтажу и установке.
- Оплата звонков в техническую поддержку.
- Потеря окраски деталей из нержавеющей стали.

Неисправность детали, связанная с чисткой и уходом, или использованием ненадлежащих чистящих средств (посудомоечных машин).



ОСТОРОЖНО! Во время удаления упаковки и сборки рекомендуется носить защитные перчатки и защитные очки. Хотя во время производства для обеспечения быстрой и эффективной сборки гриля были приняты все меры для устранения острых граней, тем не менее, надлежит обращаться с деталями очень аккуратно во избежание травм.



Начало работы

1. Уберите все упаковочные материалы. Поднимите крышку и извлеките все детали, находящиеся внутри. Проверьте по списку наличие всех деталей.
2. Не выбрасывайте упаковочный материал, пока гриль не был полностью собран и успешно введён в эксплуатацию.
3. Собирайте гриль на месте будущего использования, разложите детали на картонке или полотенце, чтобы не потерять их во время сборки.
4. **Большинство деталей из нержавеющей стали поставляются в полиэтиленовых пакетах, которые необходимо снять перед установкой.**
5. Следуйте всем указаниям в порядке, указанном в инструкции.
6. Для размещения верхней части гриля на собранной тележке понадобятся два человека.

Если у вас возникли какие либо вопросы по сборке или эксплуатации гриля. или если некоторые детали отсутствуют или повреждены. пожалуйста свяжитесь с отделом работы с клиентами по телефону 1-866-820-8686 с 9 до 17 (североамериканское восточное время).

Инструментов для сборки (инструменты не включены)

3/8 (10mm)
Гаечный ключ,
реверсивный
ключ или
отвёртка



Плоская и
крестовая
отвёртка



Плоскогубцы



Молоток





ФАКС: 705 727 4282

ЗАКАЗ АКСЕССУАРОВ И ДЕТАЛЕЙ

ПОЖАЛУЙСТА, ЗАПОЛНЯЙТЕ ПЕЧАТНЫМИ БУКВАМИ

КОНТАКТНОЕ ЛИЦО: _____

ГРУЗОПОЛУЧАТЕЛЬ: _____

ТЕЛ : _____

ФАКС : _____

EMAIL: _____

VISA ИЛИ MASTERCARD # : _____ ДАТА ИСТЕЧЕНИЯ СРОКА ДЕЙСТВИЯ _____

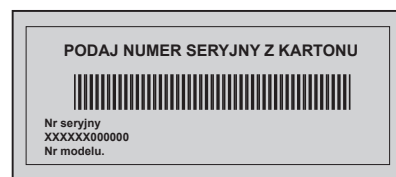
ПОДПИСЬ: _____

КОЛИЧЕСТВО	НОМЕР ДЕТАЛИ ПО КАТАЛОГУ	НАИМЕНОВАНИЕ

БЕЗ УЧЁТА НАЛОГА
ДОПОЛНИТЕЛЬНАЯ ПЛАТА ЗА ПЕРЕВОЗКУ

ПРИ НЕОБХОДИМОСТИ ПОДТВЕРЖДЕНИЯ, ПОЖАЛУЙСТА, ПРЕДОСТАВЬТЕ НОМЕР ФАКСА ИЛИ АДРЕС ЭЛЕКТРОННОЙ ПОЧТЫ

Ten grill gazowy musi być używany tylko na zewnątrz w dobrze wentylowanym miejscu i nie może być używany w budynku, garażu, osłoniętym ganku, altanie ani innym ogrodzonym terenie.



495, 495SB



NIEBEZPIECZEŃSTWO

JEŚLI POCZUJESZ ZAPACH GAZU:

- Odłącz gaz od urządzenia.
- Zgaś otwarty płomień.
- Otwórz pokrywę.
- Jeśli nadal czujesz zapach, trzymaj się z dala od urządzenia i natychmiast wezwij swojego dostawcę gazu lub straż pożarną.



OSTRZEŻENIE

Nie próbuj zapalić tego urządzenia bez przeczytania instrukcji „ZAPALANIA” w tym podręczniku.

Nie przechowuj ani nie używaj benzyny ani innych łatwopalnych płynów ani oparów w pobliżu tego lub innego urządzenia. Butla gazowa nie podłączona do żytku nie może być przechowywana w pobliżu tego ani innego urządzenia. Jeśli informacje w tych instrukcjach nie są dokładnie przestrzegane, może dojść do pożaru lub wybuchu, powodując straty materialne, obrażenia ciała lub śmierć.

Informacja dla instalatora: Zostaw te instrukcje u właściciela grilla na przyszłość.



0359-12

Napoleon Appliance Corp.,
214 Bayview Dr., Barrie, Ontario, Canada L4N 4Y8 Phone: 1-866-820-8686
Fax: (705)725-2564 email: wecare@napoleonproducts.com web site: www.napoleongrills.com

PL

DZIĘKUJEMY ZA WYBÓR NAPOLEONA

Produkty NAPOLEON są zaprojektowane z najwyższej jakości materiałów oraz części. Montowane przez wykwalifikowanych rzemieślników, którzy są dumni ze swojej pracy. Montaż palnika oraz zaworu jest poddany testom szczelności oraz próbie ognia w stacji badań jakości. Ten grill został dokładnie sprawdzony przez wykwalifikowanego technika przed zapakowaniem oraz wysyłką, aby upewnić się, że Ty, jako klient, otrzymasz produkt wysokiej jakości, którego oczekujesz od NAPOLEON.

My w Napoleonie jesteśmy Ci oddani, naszemu cenionemu klientowi. Naszym celem jest zapewnienie Państwu niezbędnych narzędzi do niezapomnianych wrażeń grillowania. Podręcznik ten jest dostarczony, aby zapewnić państwu pomoc przy montażu, instalacji, konserwacji i prawidłowego użytkowania grilla. Ważne jest, aby przeczytać i zrozumieć całą instrukcję przed obsługą nowego grilla, aby upewnić się, że całkowicie rozumiecie państwo wszystkie zasady bezpieczeństwa oraz funkcje, które oferuje grill. Przez dokładne przestrzeganie tych instrukcji będziecie cieszyć się państwo przez lata bezproblemowym grillowaniem. Jeśli ten produkt nie spełni waszych oczekiwań, z jakichkolwiek powodów, proszę skontaktować się z naszym działem obsługi klienta pod numerem + 48 787 733 766 lub odwiedzić naszą stronę internetową pod adresem www.napoleongrills.eu.

Gwarancja Grilla Gazowego Prezydenta Napoleon

NAPOLEON gwarantuje następujące materiały oraz wykonanie w państwa nowym grillu gazowym NAPOLEON w zakresie wad, przez 10 lat. Obejmuje ona obudowy aluminiowe (bez farby), tace LUXIDIO®, nierdzewne stalowe półki boczne, nierdzewny stalowy panel kontroli (poza sitodrukiem), nierdzewne stalowe palniki, nierdzewne stalowe lub porcelanowe wkłady pokrywy, oraz uchwyty pokrywy, z zastrzeżeniem następujących warunków: W ciągu pierwszych pięciu lat NAPOLEON udostępni części zamienne według naszego uznania za darmo. Od szóstego roku, NAPOLEON dostarczy części zamienne w cenie 50% obecnej ceny detalicznej.

Części, takie jak nierdzewne stalowe płyty tłuszczowe, nierdzewne stalowe lub żeliwne kraty do gotowania, zawory z systemem zapłonu, czujniki temperatury, pokrętła, i ceramiczne palniki podczerwieni (poza ekranami) są objęte gwarancją, a Napoleon dostarczy części za darmo w ciągu pierwszych dwóch lat gwarancji.

Wszystkie pozostałe elementy, w tym regulatory, pojemniki, ocieplacze, węże i złącza, I-GLOW™, łączniki i akcesoria są objęte gwarancją, a NAPOLEON dostarczy części za darmo w ciągu pierwszego roku gwarancji.

NAPOLEON nie ponosi odpowiedzialności za żadne koszty transportu, koszty pracy ani należności wywozowe.

Warunki i Ograniczenia

"NAPOLEON daje gwarancję na swoje produkty na defekty produkcji jedynie oryginalnemu nabywcy, pod warunkiem, że zakup został dokonany przez autoryzowanego sprzedawcę NAPOLEON i podlega następującym warunkom i ograniczeniom:"

Gwarancja tej fabryki jest niezbywalna i nie może być przedłużona w jakikolwiek sposób przez żadnego z naszych przedstawicieli.

Grill gazowy musi być zainstalowany przez wykwalifikowanego, autoryzowanego technika lub wykonawcę. Montaż musi być wykonany zgodnie z instrukcjami instalacji dla tego produktu oraz wszystkimi lokalnymi i narodowymi kodami budowlanymi i pożarowymi.

Niniejsza gwarancja nie obejmuje uszkodzeń spowodowanych w wyniku niewłaściwego użytkowania, braku konserwacji, pożaru tłuszczu, wrogiego środowiska, wypadków, modyfikacji, nadużycia lub zaniedbania, a części zainstalowane przez innych producentów unieważniają gwarancję.

Niniejsza gwarancja nie pokrywa zadrapań, zagięć, pomalowanych wykończeń, korozji lub odbarwienia przez ciepło, ściernie lub chemiczne środki czyszczące, albo odprysk na emalowanych częściach porcelanowych, ani innych elementach używanych w instalacji grilla gazowego.

Jeśli pojawi się pogorszenie części do stopnia nieużywalności w okresie objętym gwarancją, dostarczone zostaną części zamienne.

Jedynie w pierwszym roku gwarancja ta obejmuje wymianę części gwarancyjnych, które są wadliwe pod względem materiału lub wykonania, pod warunkiem, że produkt był używany zgodnie z instrukcjami użytkowania oraz w normalnych warunkach.

Po pierwszym roku, w odniesieniu do tej Ograniczonej Gwarancji Dożywotnej NAPOLEON może, według swojego uznania, w pełni znieść wszystkie zobowiązania w odniesieniu do tej gwarancji poprzez refundowanie oryginalnemu nabywcy ceny hurtowej każdej wadliwej części objętej gwarancją.

NAPOLEON nie będzie odpowiedzialny za koszty instalacji, pracy ani inne koszty lub wydatki powiązane z ponowną instalacją części na gwarancji, i takie wydatki nie są objęte niniejszą gwarancją.

Bez względu na jakiegokolwiek postanowienia zawarte w tej Ograniczonej Gwarancji Dożywotnej NAPOLEON odpowiedzialność określona w ramach tej gwarancji jest określona jak wyżej i w żadnym wypadku nie powinna ona obejmować żadnych uszkodzeń wypadkowych, wynikowych ani pośrednich.

Niniejsza gwarancja określa obowiązki i odpowiedzialność NAPOLEON w stosunku do grilla gazowego NAPOLEON i wszelkich innych gwarancji wyrażonych lub domniemyanych w odniesieniu do tego produktu, jego elementy i akcesoria są wykluczone.

NAPOLEON ani nie przyjmuje ani nie upoważnia żadnych osób trzecich do przyjmowania, w jego imieniu, żadnych innych zobowiązań w odniesieniu do sprzedaży tego produktu.

NAPOLEON nie będzie odpowiedzialny za: pożary, wypalenie spowodowane przez warunki środowiskowe, takie jak silne wiatry lub niewystarczającą wentylację,

Wszelkie uszkodzenia grilla gazowego z powodu szkód pogodowych, gradu, nieostrożnego obchodzenia się, szkodliwymi substancjami chemicznymi lub środkami czyszczącymi nie będą odpowiedzialnością NAPOLEON.

Rachunek sprzedaży lub kopia będzie wymagana razem z numerem seryjnym oraz numerem modelu podczas dokonywania wszelkich roszczeń od NAPOLEON.

NAPOLEON zastrzega sobie prawo, aby jego przedstawiciele zbadali każdy produkt lub część przed uhonorowaniem jakichkolwiek roszczeń z tytułu gwarancji.

NAPOLEON nie ponosi odpowiedzialności za wszelkie koszty transportu, koszty robocizny ani cło wywozowe.



UWAGA! Niezastosowanie się do tych instrukcji może doprowadzić do uszkodzenia sprzętu, obrażeń ciała lub śmierci. Przeczytaj i zastosuj się do wszystkich uwag i instrukcji w tym podręczniku zanim uruchomisz grill.

Bezpieczne Praktyki Operacyjne

- Ten grill gazowy musi być złożony dokładnie według instrukcji w podręczniku. Jeśli grill został złożony w sklepie, należy przejrzeć instrukcje montażu, aby potwierdzić właściwy montaż oraz wykonać wymagane testy wycieków przed użyciem grilla.
- Przeczytaj całą instrukcję obsługi przed użyciem grilla.
- Pod żadnym pozorem nie należy modyfikować tego grilla.
- Postępuj zgodnie z instrukcjami rozpalania podczas obsługi grilla.
- Gaz musi być wyłączony w cylindrze propanu kiedy grill nie jest używany.
- Trzymaj dzieci i zwierzęta z dala od gorącego grilla, NIE pozwalaj dzieciom wspinać się do obudowy.
- Dzieci powinny być pilnowane, aby upewnić się, że nie bawią się urządzeniem.
- Urządzenie to nie jest przeznaczone do użytku przez osoby (w tym dzieci) o ograniczonej sprawności fizycznej, sensorycznej lub umysłowej, lub bez doświadczenia albo wiedzy, chyba że będą one nadzorowane lub zostaną poinstruowane na temat korzystania z urządzenia przez osobę odpowiedzialną za ich bezpieczeństwo.
- Nie zostawiaj grilla bez nadzoru podczas użytkowania.
- Nie należy przenosić grilla, kiedy jest gorący lub działa.
- Ten grill jest przeznaczony wyłącznie do użytku domowego.
- Grill ten nie może być instalowany w ani na pojazdach rekreacyjnych i/lub łodziach.
- Ten grill gazowy musi być przechowywany na zewnątrz w dobrze wentylowanym miejscu i nie może być używany wewnątrz budynku, garażu, osłoniętym ganku ani żadnym innym obszarze zamkniętym.
- Zachowaj odpowiedni odstęp od materiałów łatwopalnych (16" (410mm) do tyłu urządzenia 7" (178mm) do boków). Dodatkowy odstęp jest zalecany blisko powierzchni winylowych lub szyb/szkła.
- Przez cały czas utrzymuj otwory wentylacyjne obudowy butli pozbawione od zanieczyszczeń.
- Nie używaj urządzenia w pobliżu łatwopalnych konstrukcji/materiałów.
- Nie umieszczaj go w wietrznych sceneriach. Silne podmuchy wiatru mogą niekorzystnie wpływać na wydajność gotowania grill gazowego.
- Kiedy grill gazowy jest przechowywany w pomieszczeniu, butla propanu musi być odłączona od grilla i przechowywana na zewnątrz w dobrze wentylowanym obszarze, odłączone butle nie mogą być przechowywane w budynku, garażu ani innym pomieszczeniu zamkniętym. Naturalne urządzenia gazowe muszą być odłączone od zaopatrzenia, kiedy są przechowywane wewnątrz.
- Sprawdź przewód linii gazu przed każdym użyciem. Jeśli istnieją dowody nadmiernego ścierania lub zużycia części, należy je wymienić przed użyciem grilla gazowego poprzez zamontowanie węża zamiennego określonego przez producenta grilla.
- Nigdy nie przechowuj zapasowej butli gazowej pod ani blisko grilla.
- Nigdy nie wypełniaj butli ponad 80%.
- Podczas zmiany butli gazu upewnij się, że w pobliżu nie ma źródeł zapłonu. Nie pal.
- Przeprowadź test szczelności wszystkich połączeń przed pierwszym użyciem, nawet jeśli grill był zakupiony w pełni zmontowany, co roku lub po wymianie jakiegokolwiek elementu.
- Nigdy nie używaj naturalnego gazu w urządzeniu przeznaczonym dla płynnego gazu propanu.
- Nigdy nie używaj płynu do zapalniczek w grillu gazowym.
- Używaj brykietu węgla tylko z tacą na węgiel Napoleon przeznaczoną dla tego urządzenia.
- Kontrolki palnika muszą być wyłączone podczas włączania butli.
- Nie odpalaj palników przy zamkniętej pokrywie.
- Nie używaj tylnego palnika kiedy pracują palniki główne.
- Pokrywa musi być zamknięta podczas okresu podgrzewania.
- Nie prowadź węża pod właściwą misą ściekową, należy zachować odstęp do spodu urządzenia.
- Czyść zasobnik smaru oraz płyty smaru regularnie aby uniknąć gromadzenia się, co może doprowadzić do pożaru smaru.
- Zdejmij stojak grzewczy przed zapaleniem tylnego palnika. Ekstremalne ciepło uszkodzi stojak grzewczy.
- Upewnij się, że płyty smaru są ustawione właściwie według instrukcji montażu płyt smaru.
- Nie używaj półek bocznych do przechowywania zapalniczek, zapalek ani innych materiałów łatwopalnych.
- Trzymaj przewód gazu z dala od nagranych powierzchni.
- Trzymaj wszelkie przewody sprzętów elektrycznych z dala od wody lub nagranych powierzchni.
- Sprawdź podcierwienią palnikową rurę pod kątem pajęczyn i innych przeszkód od czasu do czasu. Całkowicie wyczyść rury jeśli znajdziesz jakieś przeszkody.
- Grill gazowy do gotowania na zewnątrz oraz jego poszczególny zawór wyłączający muszą być odłączone od systemu źródła gazu podczas przeprowadzania testów ciśnieniowych tego systemu w przypadku nadmiernego ciśnienia 0.5psi (3.5kPa).
- Grill gazowy do gotowania na zewnątrz musi być odizolowany od systemu źródła gazu poprzez zamknięcie jego indywidualnego ręcznego zaworu wyłączenia podczas przeprowadzania testów systemu źródła gazu przy ciśnieniu równym lub mniejszym niż 0,5 psi (3.5 kPa).



Prawidłowa utylizacja tego produktu

To oznaczenie wskazuje, że produkt ten nie powinien być utylizowany razem z innymi odpadami gospodarstwa domowego w całej UE. Aby uniknąć szkodliwego wpływu na środowisko lub zdrowie ludzi wskutek niekontrolowanego usuwania odpadów, utylizuj go prawidłowo aby promować ponowne użycie zasobów materialnych. Aby zwrócić używane urządzenie, skorzystaj z usług firmy recyklingowej.

Butla Gazowa

Używaj jedynie butli gazowych, które spełniają normy narodowe oraz regionalne. Minimalny rozmiar butli dla jednostek butanu wynosi 13kg, a dla jednostek propanu 6kg. Upewnij się, że butla może dostarczyć wystarczająco paliwa do obsługi urządzenia. Jeśli masz wątpliwości, sprawdź u swojego dostawcy gazu.

- Uważaj podczas obsługi zaworu butli.
- Nigdy nie podłączaj butli, która nie spełnia norm lokalnych.

Wszystkie butle 7kg lub większe muszą być umieszczone poza ogrodzeniem (pod prawą boczną półką) na poziomie ziemi. Butle mniejsze niż 7kg (maksymalny rozmiar 465mm wysoki i 306mm szeroki) mogą być umieszczone w ogrodzeniu, po prawej stronie dolnej półki. Jedynie butle połączone do urządzenia mogą być przechowywane w ogrodzeniu, lub blisko urządzenia. Zapasowe butle nie mogą być przechowywane w ogrodzeniu, lub w bliskiej odległości działającego urządzenia. Butle nie mogą być narażone na ekstremalne ciepło lub bezpośrednie światło słoneczne.



UWAGA! Upewnij się, że wąż jest podłączony do głównego właściwego miejsca na spodzie urządzenia. Węże, które dotykają powierzchni o wysokiej temperaturze mogą się topić lub przeciekać, powodując pożar.

Podłączenie butli: Upewnij się, że wąż regulacji gazu jest wolny od zagięć. Zdejmij pokrywę lub zatyczkę z zaworu butli paliwa. Dokręć regulator do zaworu butli. Przeprowadź testy szczelności przed używaniem grilla. Test szczelności musi być przeprowadzany co roku oraz za każdym razem przy podłączaniu butli, lub podczas wymiany części systemu gazowego.



UWAGA!

- Nie kieruj węża pod pojemnikiem na zużyty tłuszcz.
- Nie kieruj węża pomiędzy przestrzenią na dnie półki oraz tylnego panelu.
- Nie kieruj węża nad górą tylnego panelu.
- Upewnij się, że wszystkie połączenia są dokręcone przy użyciu dwóch kluczy francuskich. Nie używaj taśmy teflonowej lakieru na żadnym połączeniu węża.
- Upewnij się, że wąż nie styka się z żadną powierzchnią o wysokiej temperaturze, ponieważ może od się stopić i przeciekać, powodując pożar.
- Nie używaj ogrodzenia do przechowywania dodatkowego węża, ponieważ jest większa szansa, że wąż będzie miał kontakt z gorącą powierzchnią, przez co się stopi i zacznie przeciekać powodując pożar.

Wąż Gazowy

- Jeśli wąż i regulator nie są załączone przez producenta, wówczas jedynie węże i regulatory, które spełniają narodowe i regionalne normy mogą być używane.
- Upewnij się, że wąż nie ma styczności z tłuszczem, innymi gorącymi tłuszczami, lub gorącymi powierzchniami na urządzeniu.
- Regularnie sprawdzaj węże. W przypadku rozdarć, topienia lub zużycia, wymień wąż przed użyciem urządzenia.
- Zalecana długość węża to 0.5m. Wąż nie może być dłuższy niż 1.5m.
- Upewnij się, że wąż nie jest pokręcony ani zagięty podczas instalacji.
- Wymień wąż przed upływem daty wydrukowanej na wężu.

Dane Techniczne

Poniższa tabela wymienia wartości wejściowe dla urządzenia.

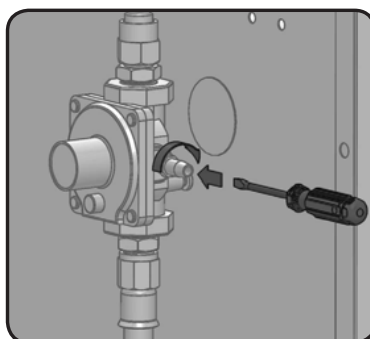
Palnik	Rozmiar Otworu	(Brutto) Wejście Ciepła (łącznie)	Zużycie Gazu (łącznie)
GŁÓWNY	1.07mm (58)	16.0 kW	1160 g/h
BOCZNY	0.82mm	2.4 kW	174 g/h

Certyfikowane Gazy/Ciśnienia – Sprawdź płytę wskaźnika aby upewnić się, że odpowiada ona następującej liście.

Kategoria gazu	3B/P(30)	3+(28-30/37)	3B/P(37)	3B/P(50)
Rozmiary otworów (patrz wyżej)				
Gazy / Ciśnienia	Butan 30mbar Propan 30mbar	Butan 28-30mbar Propan 37mbar	Butan 37mbar Propan 37mbar	Butan 50mbar Propan 50mbar
Kraje	BE, BG, CY, DK, EE, FI, FR, GB, HR, HU, IS, IT, LT, LU, MT, NL, NO, RO, SE, SI, SK, TR	BE, CH, CY, CZ, ES, FR, GB, GR, IE, IT, LT, LU, LV, PT, SK, SI	PL	AT, CH, DE, SK

Nie majsterkuj przy ani nie modyfikuj regulatora. Używaj jedynie regulatorów, które dostarczają ciśnienia, wymienionego w tabeli powyżej. Regulator 28-30mbar musi być używany dla butanu lub 37mbar regulator dla propanu. Grill jest wyposażony w wewnętrzny regulator. Wewnętrzny regulator ma wyjście ciśnienia 24.5 mbar dla butanu/propanu nie może być modyfikowany ani dostosowywany.

Do wymiany używamy jedynie regulatora określonego przez producenta.



Urządzenie to posiada wewnętrzny regulator, który stabilizuje ciśnienie gazu i polepsza wydajność grilla. Ten regulator nie może być regulowany. Istnieje port ciśnieniowy umieszczony z boku regulatora. Może być on używany przez wykwalifikowanego specjalistę, podczas serwisowania grilla w celu określenia czy regulator działa prawidłowo. Śruba w porcie ciśnieniowym musi zawsze być mocno dokręcona, chyba że wykonywany jest test ciśnienia na regulatorze (jedynie przez wykwalifikowany personel).

Instrukcje Sprawdzania Szczelności



UWAGA! Test szczelności należy przeprowadzać co roku i za każdym razem kiedy podłączana jest butla lub jeśli wymieniana jest część systemu gazowego.



UWAGA! Nigdy nie używaj otwartego ognia aby sprawdzić przecieki gazu. Miej pewność, że w okolicy nie ma żadnych iskier ani otwartych płomieni podczas sprawdzania szczelności. Iskry lub otwarty ogień doprowadzi do pożaru lub wybuchu, uszkodzenia mienia, poważnych obrażeń ciała lub śmierci.



Badanie szczelności: Musi być ono przeprowadzane przed pierwszym użyciem, co roku, i za każdym razem podczas wymiany lub serwisowania części gazowych. Nie pal podczas wykonywania tego testu, u usuń wszystkie źródła zapłonu. Zobacz Diagram Testu Szczelności dla obszarów, które należy sprawdzić. Wyłącz wszystkie kontrolki palnika. Włącz zawór gazu.



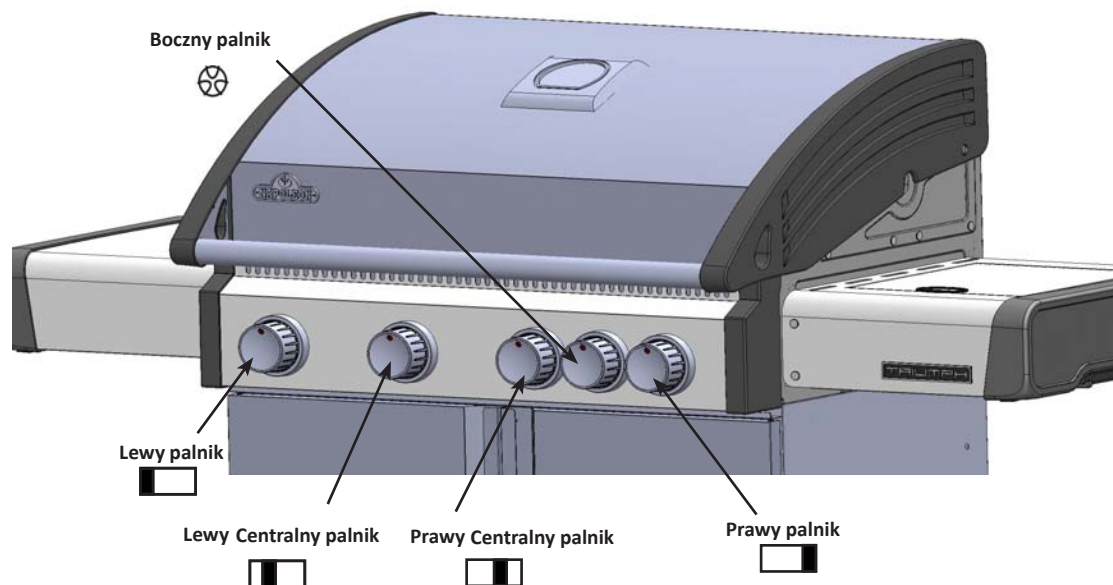
Nałóż roztwór płynnego mydła i wody pół na pół na wszystkie stawy i połączenia regulatora, węży, rozdzielaczy i zaworów.



Bańki wskażą wyciek gazu. Albo dokręć luźne złącza albo wymień tą część częścią rekomendowaną przez oddział ds. klienta Napoleon i poproś o sprawdzenie przez certyfikowanego instalatora gazu.

Jeśli wyciek nie może być zatrzymany, natychmiast wyłącz dopływ gazu, odłącz go, i poproś o sprawdzenie certyfikowanego instalatora albo sprzedawcę gazu. Nie używaj grilla do czasu naprawienia wycieku.

Instrukcje zapalania



UWAGA! Otwórz pokrywę.

Pozycja wyłączona



UWAGA! Upewnij się, że kontrolki palnika są wyłączone. Przekręć zawór gazu.

Główny Palnik	Tyłni Palnik (jeśli jest)	Boczny Palnik (jeśli jest)
1. Otwórz pokrywę grilla.	1. Otwórz pokrywę grilla.	1. Otwórz pokrywę bocznego palnika.
2. Wciśnij i przekręć powoli pokrętło głównego palnika do pozycji 'hi'. Ta czynność zapali płomień, który z kolei zapali wybrany palnik. Kiedy płomień się zapali, nadal wciskaj pokrętło kontrolne do czasu zapalenia się palnika, a następnie puść.	2. Usuń stojak ocieplenia	2. Naciśnij i przekręć kontrolkę bocznego palnika do pozycji wysokiej.
3. Jeśli płomień się nie zapala, wówczas natychmiast wyłącz pokrętło kontroli i powtórz krok 2 kilkakrotnie.	3. Włóż zapałkę do dostępnego w wyposażeniu drążka do zapalania. Przytrzymaj zapaloną zapałkę przy właściwym porcie końcowym tylnego palnika. Włącz tylni palnik do pozycji wysokiej.	3. Naciśnij i przytrzymaj przycisk zapłonu aż palnik się zapali, lub zapal zapałkę
4. Jeśli płomień i palnik się nie zapalą w ciągu 5 sekund, wyłącz pokrętło i odczekaj 5 minut aby nadmiar gazu się rozproszył. Powtórz kroki 2 albo 3 albo zapal zapałką.		4. Jeśli płomień i palnik się nie zapalą w ciągu 5 sekund, wyłącz pokrętło i odczekaj 5 minut aby nadmiar gazu się rozproszył. Powtórz kroki 2 albo 3 albo zapal zapałką.
5. Jeśli zapalasz urządzenie zapałką, włóż zapałkę do wyposażonego drążka do zapalania. Przytrzymaj zapaloną zapałkę przez grill i płytę do rozpalania, podczas przekręcania odpowiedniego zaworu palnika do pozycji wysokiej.		



Używanie Grilla

Początkowe Zapalenie: Zapalając po raz pierwszy, grill gazowy emituje niewielki zapach. Jest to normalny stan tymczasowy spowodowany przez „wypalanie się” farb wewnętrznych i smarów użytych podczas procesu produkcji i nie ma miejsca ponownie. Po prostu uruchom główne palniki na wysokich opcjach na około pół godziny.

Użycie Głównego Palnika: Podczas pieczenia jedzenia, zalecamy podgrzanie grilla przez użycie wszystkich głównych palników na wysokich ustawieniach z zamkniętą pokrywą przez około 10 minut. Jedzenie gotowane przez krótki okres czasu (ryba, warzywa) może być grillowane przy otwartej pokrywie. Gotowanie przy zamkniętej pokrywie zapewni wyższe, bardziej równe temperatury, które mogą skrócić czas gotowania i ugotować mięso równomiernie. Jedzenie z czasem gotowania dłuższym niż 30 minut, takie jak pieczenie, mogą być gotowane pośrednio (z palnikiem zapalonym naprzeciwko umieszczonego jedzenia). Podczas gotowania bardzo chudego mięsa, takiego jak piersi z kurczaka lub chuda wieprzowina, kratki mogą być naoliwione przed nagraniem, aby zredukować przywieranie. Gotowanie mięsa z wysoką zawartością tłuszczu może powodować rozbłyski. Albo przytnij tłuszcz albo zmniejsz temperaturę, aby to zahamować. Jeśli pojawi się rozbłysk, przesuń jedzenie z dala od płomieni i zredukuj ciepło. Pozostaw pokrywę otwartą.

Gotowanie Bezpośrednie: Umieść jedzenie do gotowania na grillu bezpośrednio nad ciepłem. Ta metoda jest używana powszechnie do pieczenia lub do jedzenia, które nie wymaga przedłużonego czasu gotowania, takiego jak hamburgery, steki, kawałki kurczaka, lub warzywa. Jedzenie jest najpierw opieczzone, aby zawrzeć soki i smak, a następnie temperatura jest obniżana, aby dokończyć gotowanie jedzenia według swoich preferencji.

Gotowanie Pośrednie: Kiedy działa jeden lub więcej palników, umieść jedzenie do gotowania nad palnikiem, który nie jest włączony. Ciepło krąży dookoła jedzenia, gotując powoli i równo. Gotowanie z tą metodą jest prawie takie samo jak gotowanie w piecu i jest głównie używane do większych kawałków mięsa, takich jak pieczenie, kurczaki albo indyki, ale może być również używane do gotowania jedzenia, które jest podatne na rozbłyski lub dymienie. Niższe temperatury i wolniejsze czasy gotowania dają bardziej kruche jedzenie.

Użycie Tylnego Palnika (jeśli jest na wyposażeniu): Zdejmij stojak do grzania przed użyciem, zbyt wysoka temperatura uszkodzi stojak. Kratki do gotowania również powinny być usunięte jeśli przeszkadzają rusztowi. Tylni palnik jest przeznaczony do użycia w połączeniu z zestawem rożna (w zestawie z większością urządzeń z tylnym palnikiem) dostępnym u sprzedawcy. Zobacz instrukcje montażu zestawu rożna.

Aby użyć przeciwwagi – zdejmij silnik rożna z grilla gazowego. Umieść rożen z gotowanym mięsem na wieszakach w grillu. Mięso będzie naturalnie zwiisać cięższą stroną w dół. Dokręć ramię przeciwwagi i odważnika, aby ramię było skierowane w górę. Przesuń przeciwwagę, aby zrównoważyć wagę i dokręcić ją w miejscu. Ponownie zainstaluj silnik i rozpocznij gotowanie. Umieść metalowe naczynie pod mięsem aby zbierać tłuszcz do polewania i naturalnie pysznego sosu. Płyn do podlewania może być dodany zgodnie z wymaganiami. Aby zawrzeć soki, najpierw włącz tylni palnik na wysokie ustawienia aż zbrązowieje, następnie zmniejsz ciepło aby całkowicie ugotować jedzenie. Trzymaj pokrywę zamkniętą dla lepszych wyników. Państwa pieczenie i drób zbrązowieją idealnie na zewnątrz i zostaną wilgotne i miękkie w środku. Na przykład, 3 funty kurczaka na rożnie będą gotowe w około 1½ godziny na średnim do wysokiego. Zobacz książkę kucharską *Twój Grill na Każdą Porę Roku Napoleon* dla bardziej szczegółowych instrukcji.



UWAGA! Sos barbecue i sól mogą być żrące i spowodują gwałtowne pogorszenie się elementów grilla gazowego, chyba że będziesz go czyścić regularnie. Po skończeniu gotowania zdemontuj składniki rożna, umyj je dokładnie ciepłą wodą z mydłem i przechowuj wewnątrz.

Użycie Boczego Palnika (jeśli jest na wyposażeniu): Boczny palnik może być użyty jak górny palnik piekarnika, do sosów, zup, itd. Dla najlepszej wydajności, grill gazowy powinien być umieszczony z bocznym palnikiem osłoniętym przed wiatrem. Zalecana średnica garnka to od 60 do 220mm.



UWAGA! Nigdy nie grilluj jedzenia bezpośrednio na kracie palnika bocznego. Jest on przeznaczony do używania jedynie z garnkami i patelniami.

UWAGA! Nie zamykaj pokrywy palnika bocznego kiedy jest on włączony lub nagrany.

UWAGA! Nie używaj palnika bocznego do smażenia jedzenia na głębokim oleju, ponieważ gotowanie na oleju może stworzyć niebezpieczną sytuację.

Instrukcje Konserwacji / Czyszczenia

We recommend this gas grill be thoroughly inspected and serviced annually by a qualified service person.

At all times keep the gas grill area free from combustible materials, gasoline and other flammable vapors and liquids. Do not obstruct the flow of ventilation and combustion air. Keep the cylinder enclosure ventilation openings (located on the cart sides and at the front and back of the bottom shelf) free and clear from debris.



UWAGA! Zawsze noś rękawice ochronne i okulary podczas obsługi grilla.



UWAGA! Aby uniknąć oparzeń, konserwację należy przeprowadzać tylko wtedy, kiedy grill jest chłodny. Unikaj niezabezpieczonego kontaktu z gorącymi powierzchniami. Upewnij się, że wszystkie palniki są wyłączone. Wyczyść grill w miejscu, gdzie substancje czyszczące nie uszkodzą pokładu, trawników ani patio. Nie używaj substancji do czyszczenia piekarnika aby czyścić jakiegokolwiek części tego grilla gazowego. Nie używaj substancji samoczyszczącej do piekarnika do czyszczenia krat do gotowania lub innych części grilla gazowego. Sos barbecue i sól mogą być żrące i spowodują gwałtowne pogorszenie się elementów grilla gazowego, chyba że będą czyszczone regularnie.



Uwaga: Stal nierdzewna może się utleniać lub plamić w obecności chlorków i siarczków, szczególnie w obszarach przybrzeżnych i innych trudnych warunkach, takich jak ciepłe, wysoce wilgotne otoczenie basenów i gorących kąpielisk. Plamy te mogą być postrzegane jako rdza, ale mogą być łatwo usunięte lub można im zapobiec. W celu zapobiegania lub usuwania plamom, umyj wszystkie powierzchnie ze stali szlachetnej co 3-4 tygodnie lub tak często jak potrzeba czystą wodą i/lub środkiem czyszczącym do stali nierdzewnej.



UWAGA! Wyłącz źródło gazu i odłącz urządzenie przed serwisowaniem. Aby uniknąć oparzeń, konserwacja powinna być wykonywana tylko wtedy, gdy grill jest chłodny. Test szczelności musi być wykonywany co roku i zawsze po wymianie części gazowej lub gdy wyczuwasz gaz.

Kratki i Stojak Grzewczy: Kratki oraz stojak grzewczy najlepiej czyścić szczotką drucianą podczas okresu podgrzewania. Druciak może być używany do plam trudnych do usunięcia. Jest rzeczą normalną, że kratki ze stali nierdzewnej (jeśli są) będą się odbarwiać stale przez regularne użytkowanie z powodu wysokiej temperatury powierzchni do gotowania.

Żeliwne Kratki do Gotowania: Żeliwne kratki do gotowania dostarczone z nowym grillem oferują doskonałą izolację ciepła oraz jego dystrybucję. Poprzez regularne przyprawianie dodajesz powłokę ochronną, która wspomaga odporność na korozję i zwiększy zdolności kratki do nieprzywierania.

Pierwsze użycie: Umyj kratki do gotowania ręcznie łagodnym mydłem i wodą aby usunąć wszelkie pozostałości z procesu produkcji (nigdy nie myj ich w zmywarce). Dokładnie optucz ciepłą wodą i całkowicie wysusz miękką szmatką. Jest to istotne, aby uniknąć przedostania się wilgoci do żeliwa.

Przyprawy: Używając miękkiej ściereczki rozprowadź ROŚLINNY TŁUSZCZ DO PIECZENIA na całej powierzchni kratki, upewniając się, że wszystkie rowki i narożniki zostaną pokryte. Nie używaj tłuszczu solonych, takich jak masło czy margaryna. Podgrzej swój grill przez 15 minut, następnie połóż posmarowane kratki do gotowania na grillu. Przekręć pokrętło palnika do pozycji średniej i zamknij pokrywę. Pozwól aby kratki nagrzały się przez około pół godziny. Wyłącz wszystkie palniki i wyłącz źródło gazu. Pozwól aby kratki ostygły. Procedurę tą należy powtórzyć kilka razy w ciągu sezonu, ale nie jest to konieczne do codziennego użytku (przestrzegaj procedury do użytku codziennego podanej poniżej).

Codziennie użycie: Przed rozgrzaniem, i wyczyszczeniem mosiężną szczotką drucianą, pokryj całą górną powierzchnię kratki do gotowania ROŚLINNYM TŁUSZCZEM DO PIECZENIA. Podgrzej grill a następnie pozbydź się niechcianych pozostałości przy użyciu mosiężnej drucianej szczotki.

Kratki do Gotowania ze Stali Nierdzewnej: (dostępny zestaw do ulepszenia – patrz listę części zamiennych). Kratki do gotowania ze stali nierdzewnej są wytrzymałe i odporne na korozję. Wymagają one mniej przyprawiania i konserwacji niż żeliwne kratki do gotowania. Zaleca się, aby przestrzegali państwo procedury codziennego użytkowania wymienionej powyżej, chociaż może się okazać, że podgrzewanie i czyszczenie kratki szczotką drucianą będzie wystarczające.

Panel kontrolny: Tekst panelu jest wydrukowany bezpośrednio na stali nierdzewnej, a przy właściwej konserwacji pozostanie on czarny i czytelny. Do czyszczenia panelu należy używać jedynie ciepłej wody mydlanej lub środka do czyszczenia stali nierdzewnej dostępnej u sprzedawcy Napoleon. Nigdy nie używaj środków ściernych na powierzchniach nierdzewnych, szczególnie na części z wydrukiem panelu, wówczas wydruk może się stopniowo ścierać.

Czyszczenie wnętrza Grilla Gazowego: Usuń kratki do gotowania. Używaj szczotki drucianej do wyczyszczenia drobnych pozostałości z boków obudowy oraz pod pokrywą. Zeskrob płyty tłuszczu szpachlą lub zgarniaczem, i użyj szczotki drucianej do usunięcia popiołu. Usuń płyty tłuszczowe i zgarnij pozostałości z palników przy pomocy mosiężnej szczotki drucianej. Zbierz wszystkie pozostałości z wnętrza grilla gazowego do pojemnika na zużyty tłuszcz.

Światła: Aby zdjąć obiektyw z obudowy, włóż płaską końcówkę śrubokręta pomiędzy soczewki a obudowę, a delikatnie nią potrząśnij. Nie dotykaj żarówki halogenowej. Olej z palców zredukuje żywotność żarówki. Aby wyczyścić soczewki, najpierw zamocz je w ciepłej wodzie mydlanej, a następnie wyczyść szmatką i środkiem do czyszczenia. Aby ponownie zamontować soczewki, po prostu włóż je z powrotem do obudowy.

Pojemnik na zużyty tłuszcz: nagromadzony tłuszcz to zagrożenie pożarowe. Czyść pojemnik często (co 4-5 użyć lub tak często jak trzeba) aby unikać kumulacji tłuszczu. Tłuszcz i jego nadmiar skapuje do pojemnika, umieszczonej poniżej grilla gazowego i zbiera się w jednorazowej tacy tłuszczowej poniżej pojemnika. Aby uzyskać dostęp do jednorazowej tacy lub aby wyczyścić pojemnik, wysuń pojemnik z grilla. Nigdy nie wykładaj pojemnika folią aluminiową, piaskiem ani innym materiałem, gdyż może to zapobiec prawidłowemu przepływowi tłuszczu. Pojemnik należy ścierać szpachlą lub skrobakiem. Wymieniaj jednorazowe tace co 2-4 tygodnie, w zależności od używania grilla gazowego. W sprawach zapasów skontaktuj się ze swoim przedstawicielem Napoleon.

Czyszczenie zewnętrznej powierzchni grilla: Nie używaj środków ściernych ani wełny stalowej na częściach lakierowanych, porcelanowych i ze stali nierdzewnej grill Napoleon. Spowoduje to zarysowanie powierzchni. Zewnętrzne powierzchnie grilla powinny być czyszczone ciepłą wodą mydlaną, podczas gdy metal jest nadal ciepły w dotyku. Aby czyścić powierzchnie nierdzewne, używaj środka do czyszczenia stali nierdzewnej lub specjalnego płynu. Zawsze wycieraj w kierunku ziarna. Z biegiem czasu, części ze stali nierdzewnej będą się odbarwiać podczas podgrzewania, zazwyczaj do koloru złota lub brązu. To przebarwienie jest normalne i nie ma wpływu na wydajność grilla. Części ze szkliska porcelanowego muszą być traktowane z dodatkową troską. Wypieczone wykończenie emalii przypomina szkło, i ukruszy się jeśli zostanie uderzone. Emalia do wykończeń jest dostępna u państwa sprzedawcy Napoleon.



UWAGA! Wąż: Sprawdź otarcia, stopienia, nacięcia, i pęknięcia węża. Jeśli którykolwiek z tych stanów występuje, nie używaj grilla gazowego. Wymień część u sprzedawcy Grilla Gazowego Napoleon Gas Grill lub u wykwalifikowanego instalatora gazu.

Rura palnika: Palniki są wykonane z ciężkiej stali nierdzewnej 304, ale ekstremalne temperatury i żrące środowisko może powodować korozję powierzchni. Może ona zostać usunięta mosiężną szczotką drucianą.



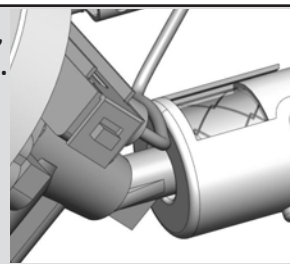
UWAGA! Strzeż się pajaków.

Pajaki i owady są przyciągane przez zapach propanu i gazu naturalnego. Palnik jest wyposażony w ekran na owady na żaluzji, co redukuje prawdopodobieństwo zbudowania gniazd owadów w palniku, ale nie eliminuje problemu całkowicie. Gniazdo lub pajęczyna mogą spowodować, że palnik będzie się palił jasnym żółtym lub pomarańczowym płomieniem lub spowoduje pożar w żaluzji pod panelem kontrolnym. Aby wyczyścić wnętrze palnika, musi on zostać zdjęty z grilla gazowego: Usuń śrubę, która mocuje palnik do tylnej ściany. Przesuń palnik o tyłu i w górę aby go wysunąć. Czyszczenie: Użyj elastycznej rurki szczotki venturi do wyczyszczenia wnętrza palnika. Strząśnij pozostałości z palnika przez wejście gazowe. Sprawdź porty palnika oraz otwory zaworu odnośnie blokad. Porty palnika mogą się zamknąć z biegiem czasu z powodu pozostałości po gotowaniu lub korozji, użyj otwartego spinacza lub dostarczonego fragmentu do konserwacji portu aby je wyczyścić. Wywierć zablokowane porty przy użyciu wiertła w małej akumulatorej wiertarce. Porty są łatwiejsze do czyszczenia, jeśli palnik jest zdjęty z grilla, ale może to być również wykonane kiedy palnik jest zamontowany. Nie wyginaj wiertła podczas wiercenia portów, gdyż spowoduje to pęknięcie wiertła. Wiertło to służy jedynie do wiercenia portów palnika, a nie do otworów z mosiądzu (dysz), które regulują przepływ do palnika. Upewnij się, że nie powiększysz otworów. Upewnij się, że ekran przeciw owadom jest czysty, naciągnięty, i wolny od pyłu i innych zanieczyszczeń.

Ponowna instalacja: Odwróć procedurę aby ponownie zainstalować palnik. Upewnij się, że zawór wchodzi do palnika podczas instalacji.



UWAGA! Podczas ponownej instalacji palnika po czyszczeniu, ważne jest, aby zawór/otwór wchodził do rury palnika przed zapaleniem grilla gazowego. Jeśli zawór nie znajduje się w środku rury palnika, może dojść do pożaru lub wybuchu.



Obudowa aluminiowa: Okresowo czyść obudowy ciepłą mydlaną wodą. Aluminium nie rdzewieje, ale wysokie temperatury i warunki atmosferyczne mogą powodować utlenienie na powierzchniach aluminiowych. Objawia się ono białymi plamami na obudowach. Aby odnowić te obszary, najpierw je wyczyść i lekko przetrzyj papierem ściernym. Wytrzyj powierzchnię aby usunąć wszelkie pozostałości i farbę przy pomocy wysokiej temperatury grilla. Chroń okolice przed odpryskami. Przestrzegaj wskazówek producenta.

Rozwiązywanie problemów

Problem	Potencjalne przyczyny	Rozwiązanie
Niskie ciepło / Niski płomień, kiedy zawór jest ustawiony na wysokie obroty.	Dla propanu – niewłaściwa procedura zapalania. Dla gazu naturalnego – niewymiarowa linia zasiania. Dla obu gazów – niewłaściwe nagrzanie.	Upewnij się, że procedura zapalania jest przestrzegana. Wszystkie zawory gazu grilla muszą być wyłączone, kiedy zawór pojemnika jest włączony. Powoli włącz pojemnik, aby pozwolić ciśnieniu na wyrównanie. Zobacz instrukcje oświetleniowe. Rura musi być dobrana zgodnie z kodem instalacyjnym. Rozgrzej grill obydwooma palnikami głównymi na wysokich obrotach przez 10 do 15 minut.
Nadmierne rozbłyski/ nierówne ciepło	Nieprawidłowo zamontowane płyty tłuszczowe. Nieprawidłowe nagrzanie. Nadmierna ilość tłuszczu i popiołu na płytach oraz w pojemniku na zużyty tłuszcz.	Upewnij się, że płyty tłuszczowe są zamontowane z otworami do przodu i ze szczelinami na dole. Zobacz instrukcje montażu. Rozgrzej grill obydwooma palnikami głównymi na wysokich obrotach przez 10 do 15 minut. Regularnie czyść płyty tłuszczowe i misę okapową. Nie wykładaj pojemnika folią aluminiową. Odwołaj się do instrukcji czyszczenia.
Palniki palą się żółtym płomieniem, wraz z towarzyszącym temu zapachem gazu.	Możliwa pajęczyna lub inne zanieczyszczenia, albo nieprawidłowa regulacja żaluzji.	Dokładnie wyczyść palnik przez usunięcie. Zobacz ogólne instrukcje konserwacji.
Regulator szumu.	Normalne zjawisko w ciepłe dni.	To nie jest usterka. Jest to spowodowane wewnętrznymi wibracjami w regulatorze i nie ma wpływu na wydajność ani bezpieczeństwo grilla gazowego. Regulatory szumu nie będą wymieniane.
Palniki nie będą się zapalać.	Podłączone porty z tyłu palnika.	Wyczyść porty palnika. Zobacz instrukcje konserwacji palnika.
“Farba” zdaje się schodzić wewnątrz pokrywy lub kaptura.	Tłuszcz gromadzi się na wewnętrznych powierzchniach.	To nie jest usterka. Wykończenie pokrywy i kaptura jest porcelanowe, i nie będzie schodzić. Łuszczenie się jest spowodowane przez utwardzony tłuszcz, który wysusza się na odłamki podobne do farby, które się łuszczą. Regularne czyszczenie może temu zapobiec. Zobacz instrukcje czyszczenia.
Palnik podczerwieni (jeśli jest na wyposażeniu) miga (podczas pracy palnik nagle wydaje głośny dźwięk “szust”, po którym następuje ciągły dźwięk zapalania latarni i narasta.)	Ceramiczne płytki są przeciążone skapującym tłuszczem i obrastają. Porty są zatkane. Palnik jest przegrzany z powodu niewłaściwej wentylacji (zbyt duża powierzchnia grilla pokryta blachą lub patelnią.) Pęknięta płytka ceramiczna. Przeciekające uszczelka dookoła płytki ceramicznej, lub brak spawu w obudowie palnika.	Wyłącz palnik i pozwól aby ostygł przez co najmniej dwie minuty. Ponownie zapal palnik i pal go na wysokich obrotach przez co najmniej pięć minut lub do czasu gdy płytki ceramiczne równomiernie świecą na czerwono. Upewnij się, że nie więcej jak 75% powierzchni grilla jest pokryte przedmiotami lub akcesoriami. Wyłącz palnik i pozwól aby ostygł przez co najmniej dwie minuty, następnie zapal go ponownie. Pozwól aby palnik ostygł i zbadaj bardzo ostrożnie pod kątem pęknięć. Jeśli znajdziesz jakieś pęknięcia, skontaktuj się z autoryzowanym sprzedawcą Napoleon aby zamówić zastępczy palnik. Skontaktuj się z autoryzowanym sprzedawcą Napoleon odnośnie instrukcji dotyczących zamówienia zamiennego palnika.

ZACHOWAJ PARAGON JAKO DOWÓD ZAKUPU, ABY POTWIERDZIĆ GWARANCJĘ.

Zamawianie Części Zamiennych

Informacje o gwarancji

MODEL: _____

DATA ZAKUPU: _____

NUMER SERYJNY: _____

(Wpisz informacje dla łatwego odniesienia)

Przed skontaktowaniem się z działem obsługi klienta, sprawdź stronę NAC, odnośnie szerszego czyszczenia, konserwacji, rozwiązywania problemów i instrukcji wymiany części na www.napoleongrills.eu. Nasz dział obsługi klienta jest dostępny pomiędzy 9 a 17 pod numerem +48 787 733 766 . Aby przetworzyć roszczenie, musimy otrzymać następujące informacje:

1. Model i numer seryjny urządzenia.
2. Numer części i opis.
3. Zwięzły opis problemu ('zepsuty' nie wystarczy)
4. Dowód zakupu (kserokopia faktury).

W niektórych przypadkach przedstawiciel obsługi klienta może poprosić o zwrot części w celu inspekcji przed dostarczeniem części zamiennych. Części te muszą być wysłane po przedpłacie do działu obsługi klienta z następującymi informacjami:

1. Model i numer seryjny urządzenia.
2. Zwięzły opis problemu ('zepsuty' nie wystarczy).
3. Dowód zakupu (kserokopia faktury).
4. Numer autoryzacji zwrotu – dostarczony przez przedstawiciela obsługi klienta.

Przed skontaktowaniem się z działem obsługi klienta, proszę zauważyć, że następujące elementy nie są objęte gwarancją:

- Koszty transportu, prowizje i cła wywozowe.
- Koszty pracy dotyczące usunięcia lub ponownej instalacji.
- Koszty połączeń serwisowych w celu zdiagnozowania problemów.
- Przebarwienia części stali nierdzewnej.
- Awaria części wynikająca z braku czyszczenia lub konserwacji, lub używania nieodpowiednich środków czyszczących (środków do czyszczenia piekarnika).



UWAGA! Podczas rozpakowywania i montażu zalecamy noszenie rękawic roboczych i okularów ochronnych. Pomimo, że dokładamy wszelkich starań, aby proces montażu był pozbawiony problemów i tak bezpieczny jak to tylko możliwe, cechą charakterystyczną dla metalowych części stalowych jest to, że ich krawędzie i rogi mogą być ostre i mogą powodować skaleczenia, jeśli są używane niepoprawnie.



Pierwsze kroki



1. Usuń wszystkie panele koszyka, sprzęt i pokrywę grilla z kartonu. Podnieś pokrywę i usuń wszelkie elementy spakowane w środku. Użyj listy części, aby się upewnić, że wszystkie niezbędne części zostały załączone.
2. Nie niszczyć opakowania, aż grill zostanie w pełni złożony i działa tak jak należy.
3. Złóż grill tam, gdzie będzie używany, rozłóż karton lub ręcznik, aby ochronić części od zgubienia lub uszkodzenia podczas montażu.
4. **Większość części stali nierdzewnej jest dostarczona w ochronnej powłoce z tworzywa sztucznego, którą należy usunąć przed używaniem grilla.**
5. Przestrzegaj wszystkich instrukcji w kolejności, w jakiej są przedstawione w podręczniku.
6. Potrzebne są dwie osoby do podniesienia pokrywy grilla na zamontowany wózek.

Jeśli masz jakieś pytania odnośnie montażu lub działania grilla, lub jeśli części są uszkodzone lub jakiś brakuje, prosimy o skontaktowanie się z działem obsługi klienta pod numerem +48 787 733 766 między 9 a 17.

Wymagane narzędzia do Montażu (narzędzia nie są dołączone)

3/8 (10mm)
Klucz lub zębatka



Śrubokręty



Szczypce



Młotek





FAX TO: 705 727 4282

FORMULARZ ZAMÓWIENIA CZĘŚCI I AKCESORION

PROSIMY PISAC CZYTELNIIE

NAZWISKO ZAMAWIAJĄCEGO: _____

ADRES ODBIORCY : _____

TEL : _____

FAX : _____

EMAIL: _____

VISA LUB MASTERCARD # : _____ DATA WYGAŚNIĘCIA: _____

PODIS: _____

ILOŚĆ	CZĘŚCI	OPIS CZĘŚCI

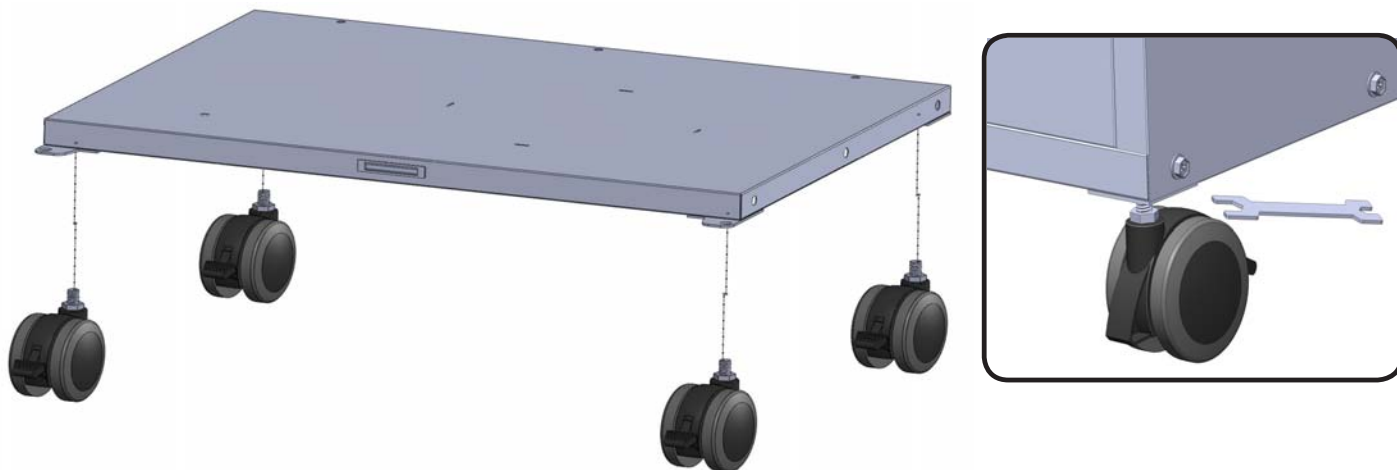
PODATEK MOZE BYĆ BOLICŻONY
OPKATĘ ZA WYSCKĘ PONOSI ODBIORCA

JEZELI WYMAGANE JEST POTWIERDZENIE ZAMÓWIENIA PROSIMU ZAKA CZYĆ NUMER FAXU LU E-MAIL ADRES



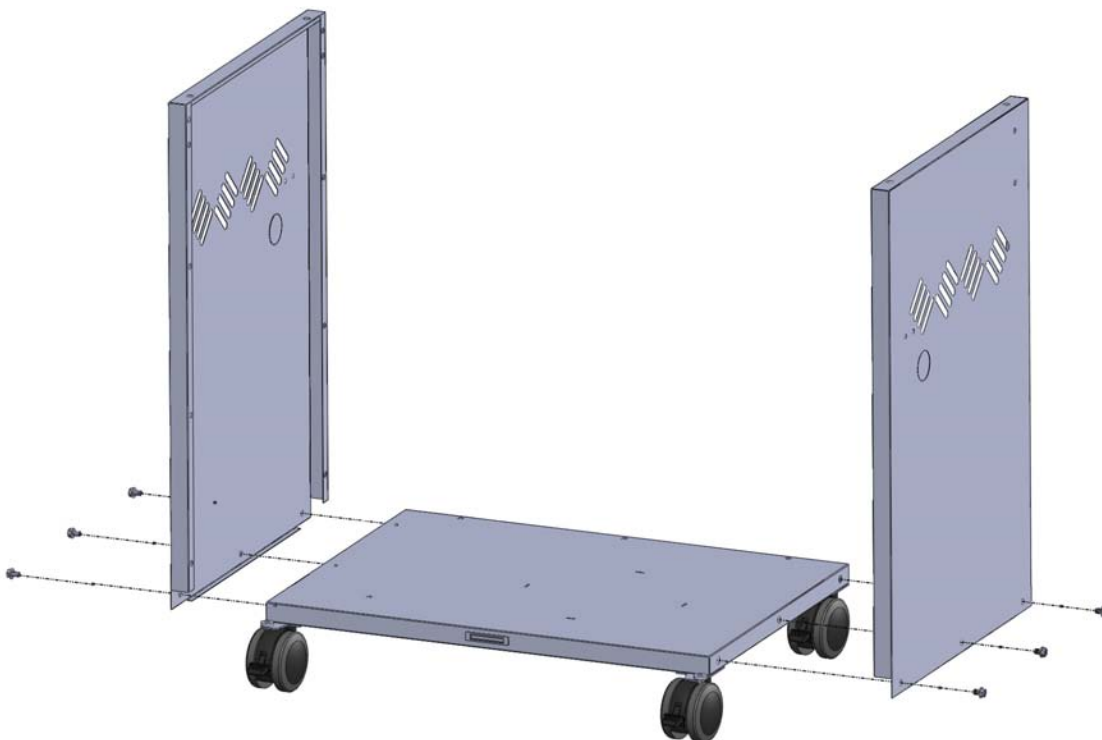
1. Caster Installation

Attach (4) casters to the bottom shelf. Tighten securely.



2. Left and Right Cart Panel Installation

Install end cart panels ensuring slots in panel are to the top. Rest the panel on the bottom shelf and line up the holes. Fasten using (6) 1/4-20 x 3/8" screws.



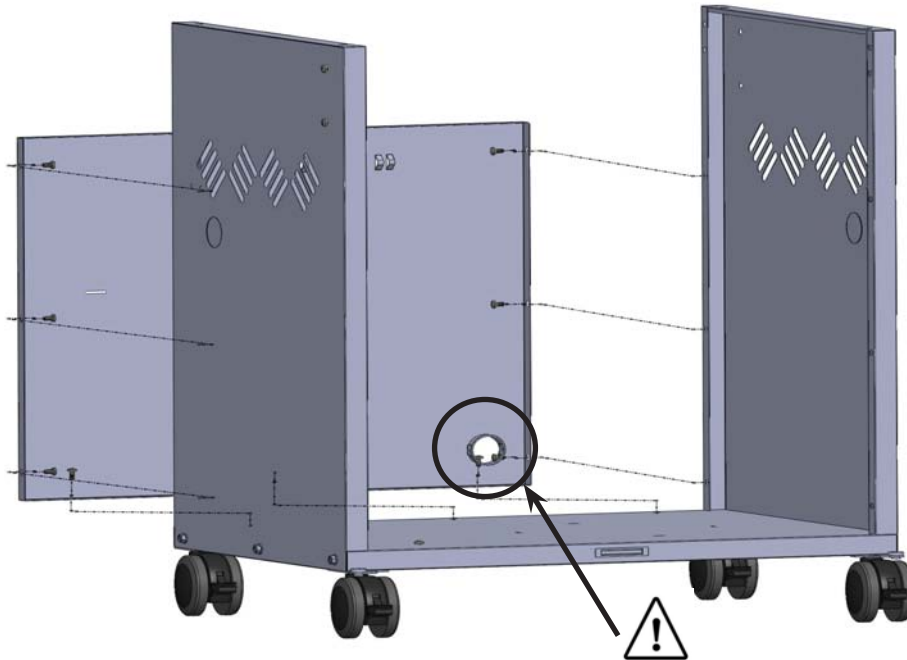


9 x N570-0042 (#10-24 x 3/8")



3. Rear Cart Panel Installation

Fit the rear cart panel between the two end panels. Ensure the large holes in the rear panel are to the bottom of cart as illustrated. Fasten using (9) #10-24 x 3/8" screws, three on each side.

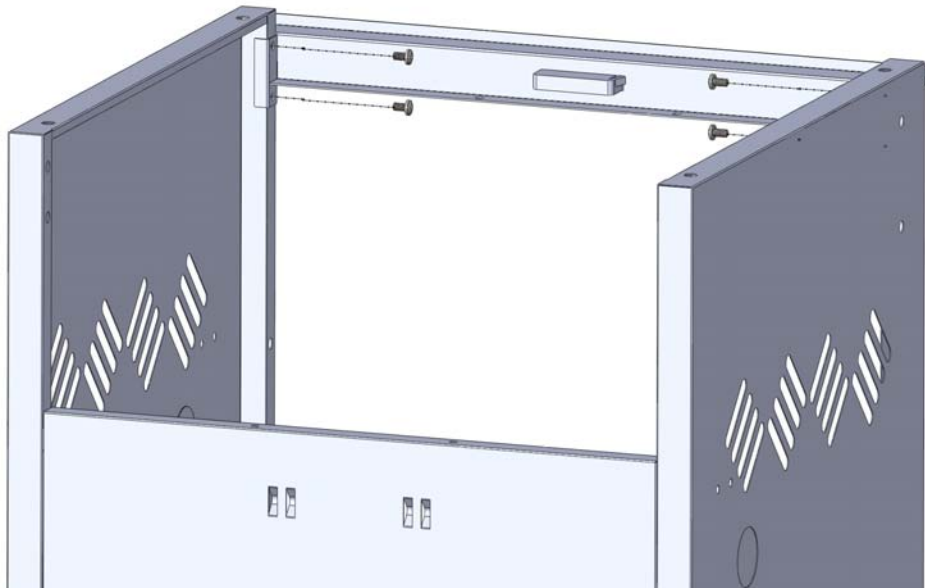


4 x N570-0042 (10-24 x 3/8")



4. Front Cabinet Support Installation

Fasten top rail assembly to the front of the side panels using (4) #10-24 x 3/8" screws. For ease of installation start all screws (4) #10-24 X3/8" before tightening.



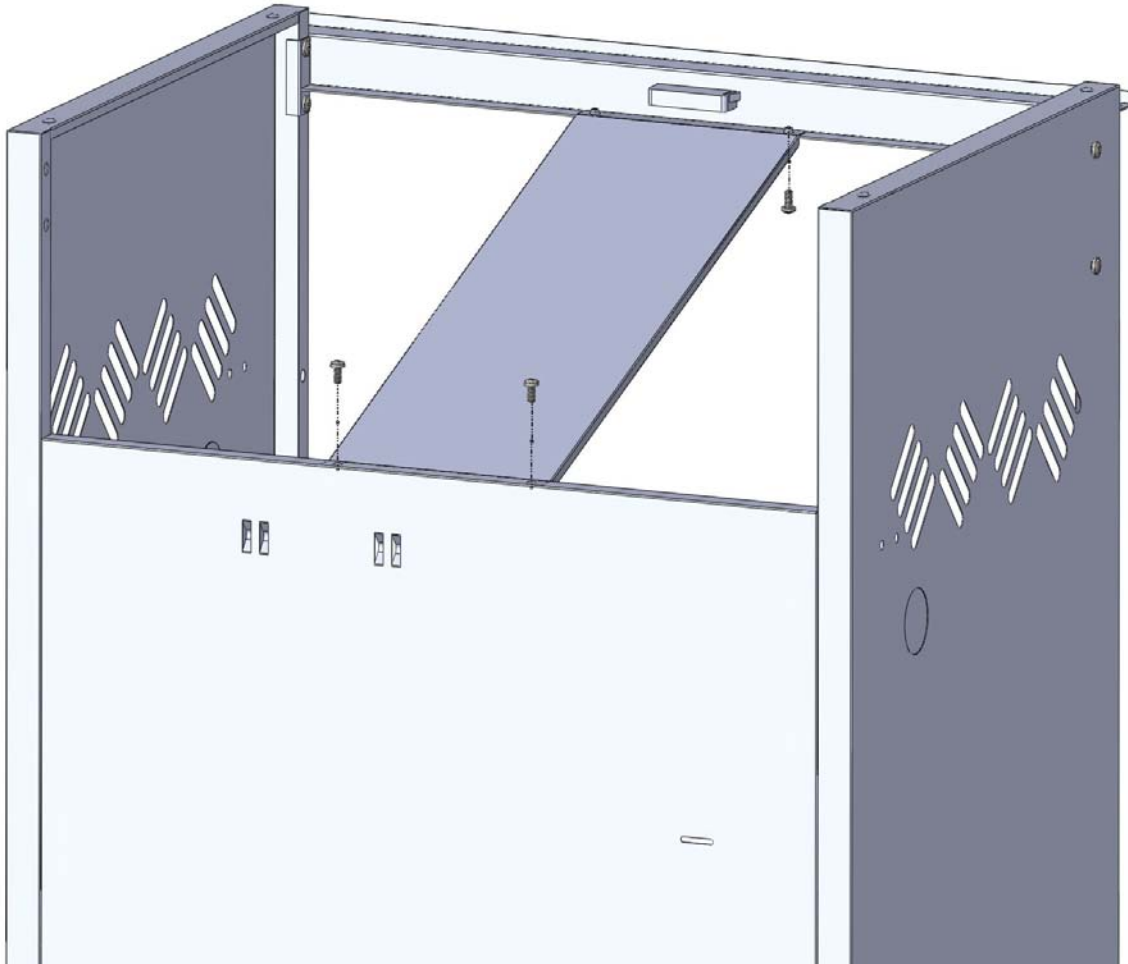


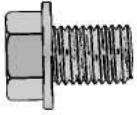
4 x N570-0042 (10-24 x 3/8")



5. Heat Shield Installation

Attach heat shield using (4) 10-24 x 3/8" screws. Attach one end under lip of back panel and other end to underside of front cabinet support.





4 x Z570-0027 (1/4-20 X 3/8")



2 x Z570-0022 (M4X8mm)



3/8" (10mm)

6. Grill Head Installation

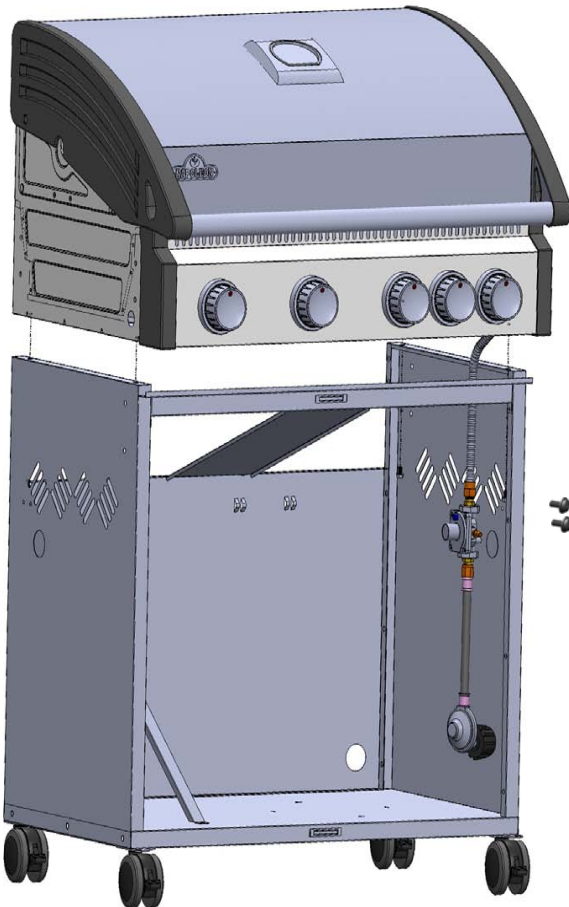
To avoid assembly difficulties, prior to mounting the grill head, remove zip tie holding regulator/connector up under control panel. This was installed at the factory to protect the regulator hose during shipping and is no longer required. (Take care when removing the tie not to damage the hose).

Lift grill head and place on assembled cart, lining up holes in top of side cart panels with holes in bottom of base. Fasten from inside using (4) 1/4-20 x 3/8" screws, two per side.

Two people are required for this step.



Correct Assembly



Incorrect Assembly



Fasten regulator to side panel using (2) M4 x 8 screws.

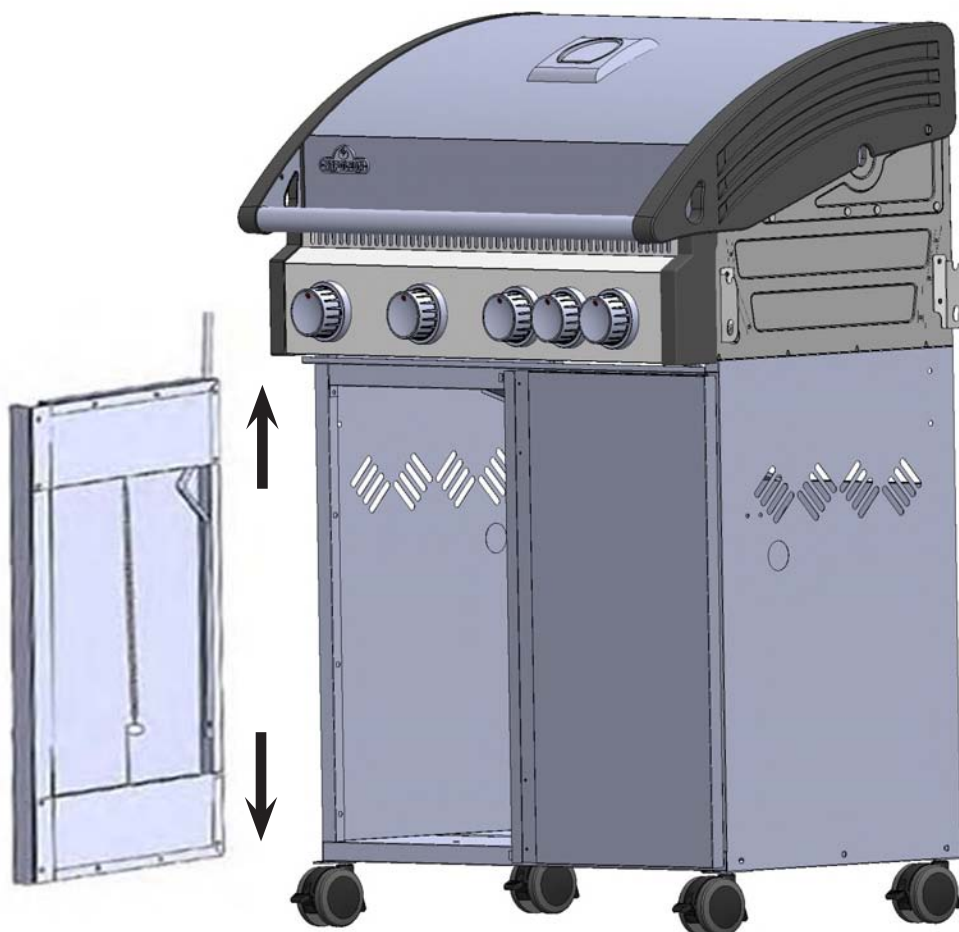
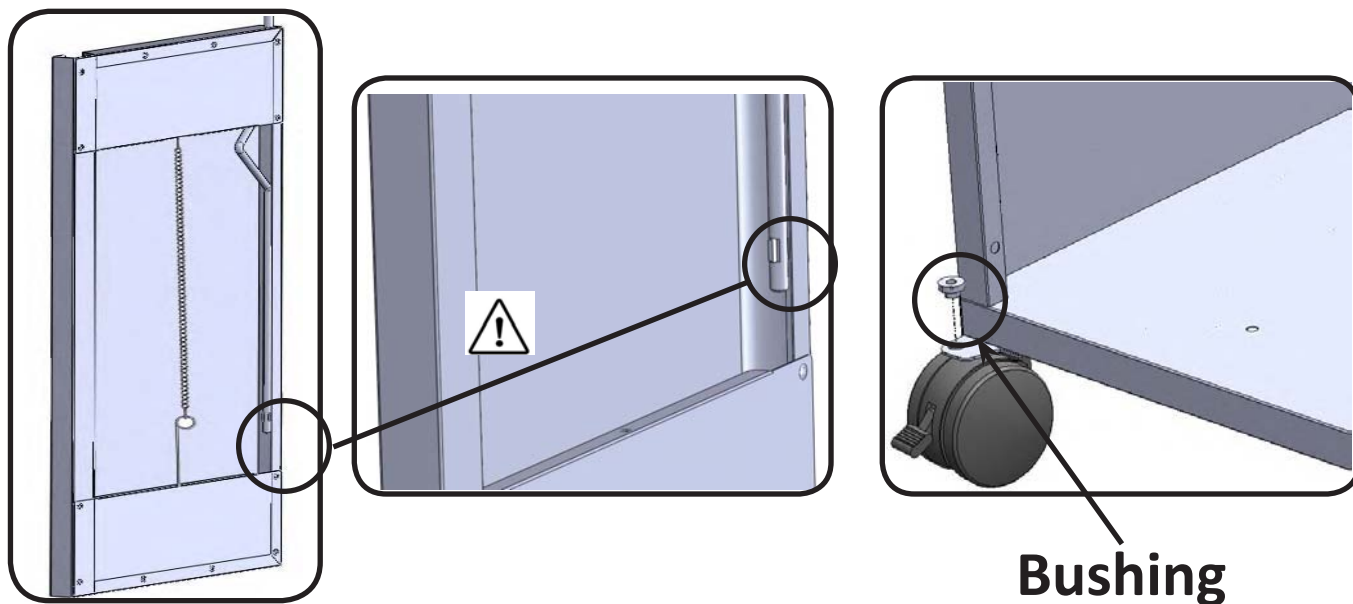
All cylinders 7kg or larger must be placed outside the enclosure (under the right side shelf) on level ground. The hose assembly must be routed through the knock out hole in the right side panel.



2 x N105-0011 (door bushing)

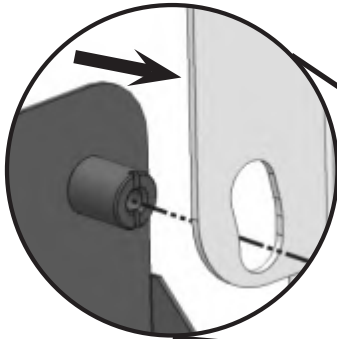
7. Cabinet Door Installation

Insert pivot rod through hole on inside top of door. Holding the door in one hand, direct the pivot rod into the hole in the underside of the front cabinet support. Once secure, let the rod slide down and through the hole in the bottom of the door and into the bushing in the bottom shelf.

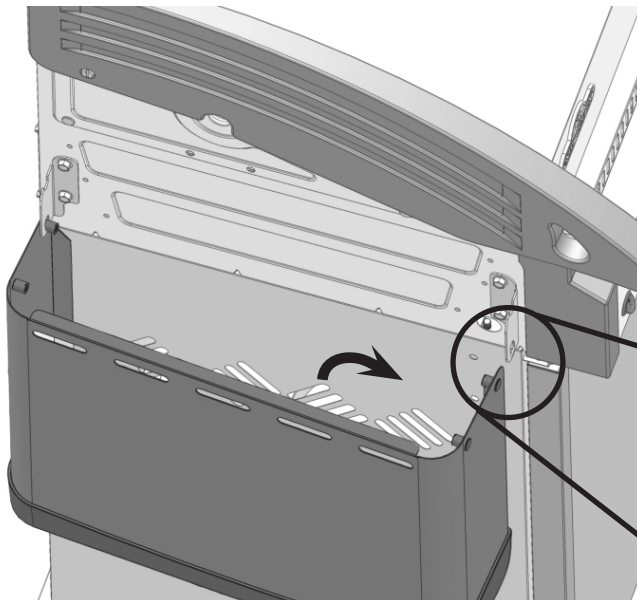
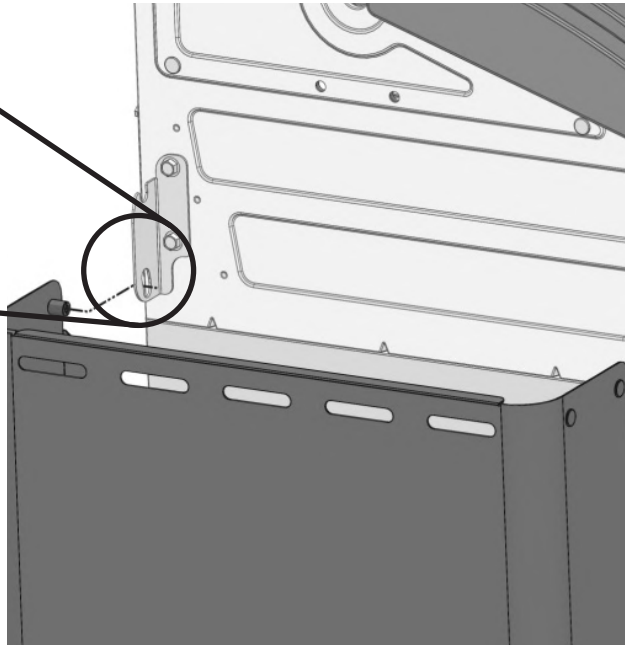




8. Side Shelf Installation

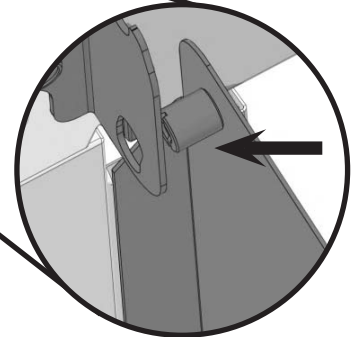


Insert the shelf pin into the left shelf bracket.

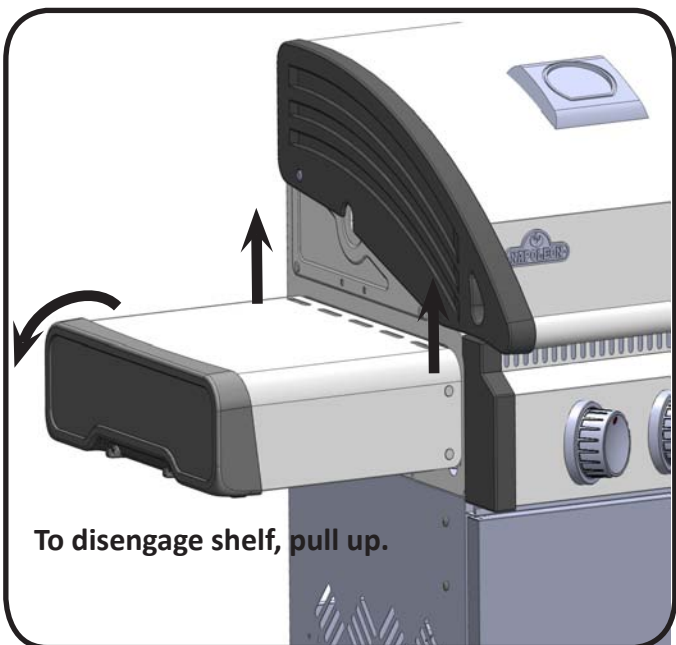
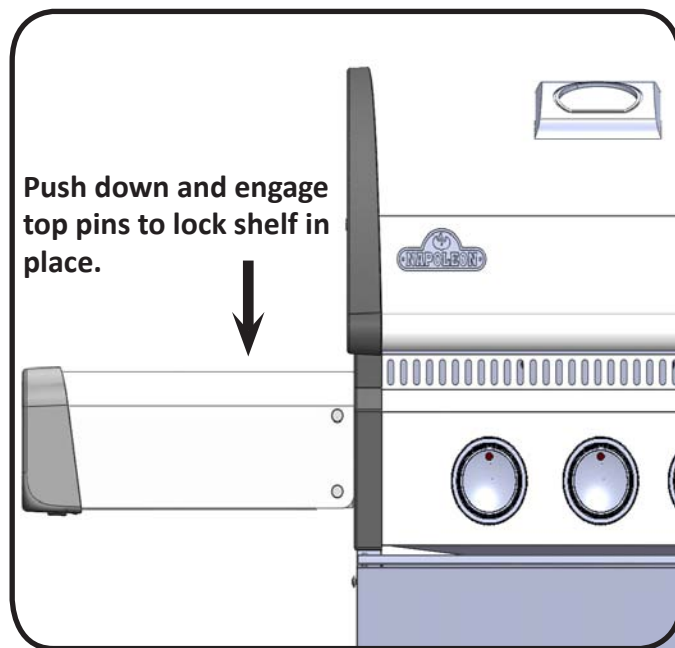
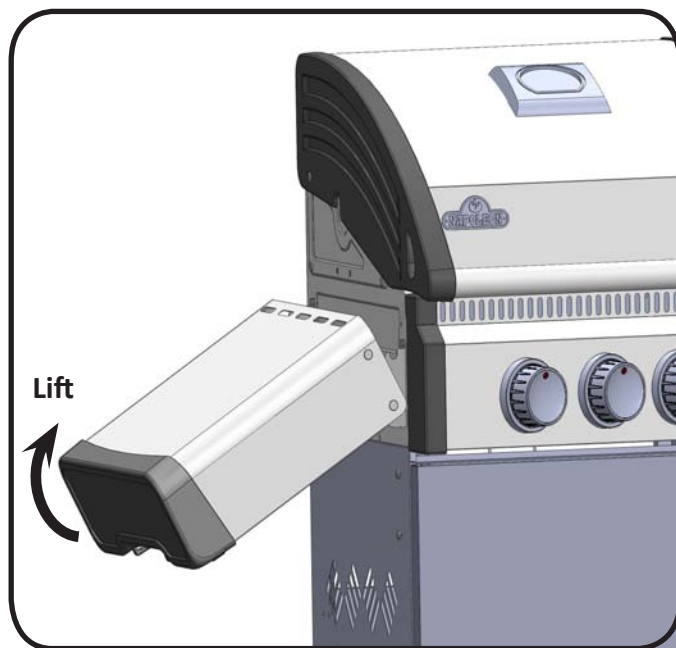


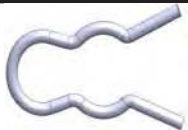
Bend shelf open slightly to insert second pin into bracket.

WARNING! Do not over bend.



8. Side Shelf Installation



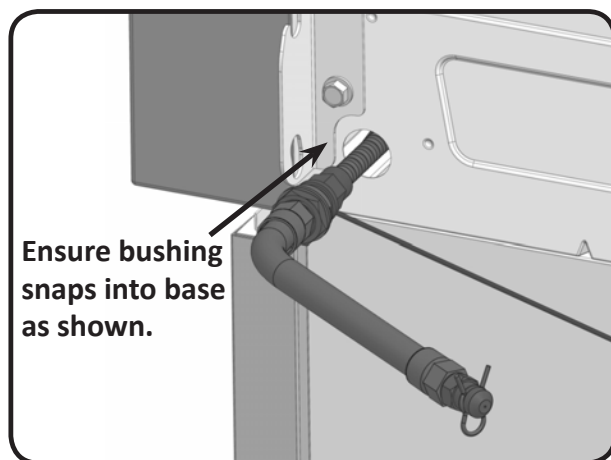


1 x N160-0016 (clip)

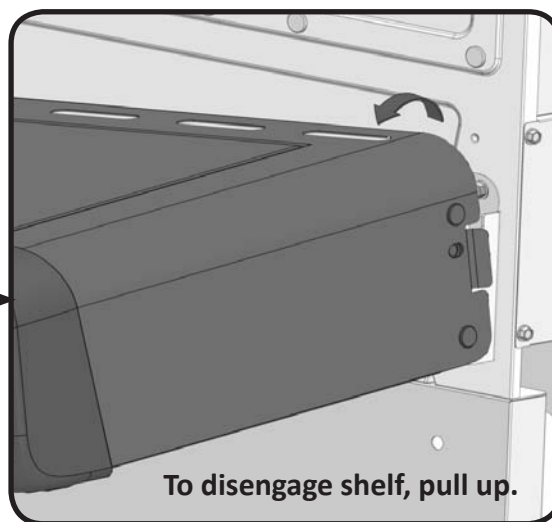
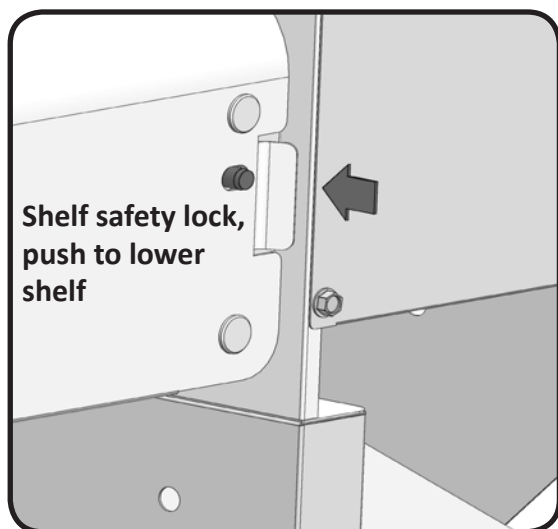
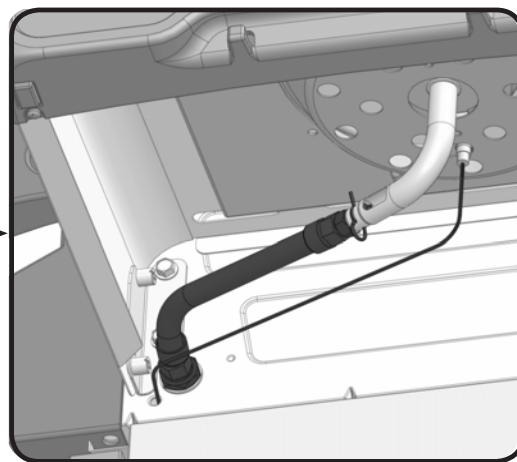
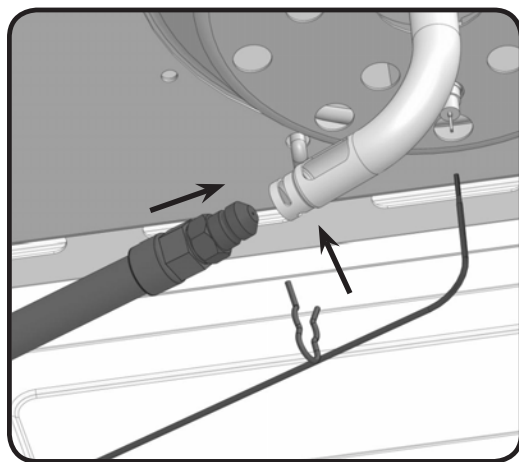
9. Side Burner Installation

Fit orifice into burner tube and secure with hose retainer clip supplied. Attach wire from main unit to side burner electrode.

495SB MODEL

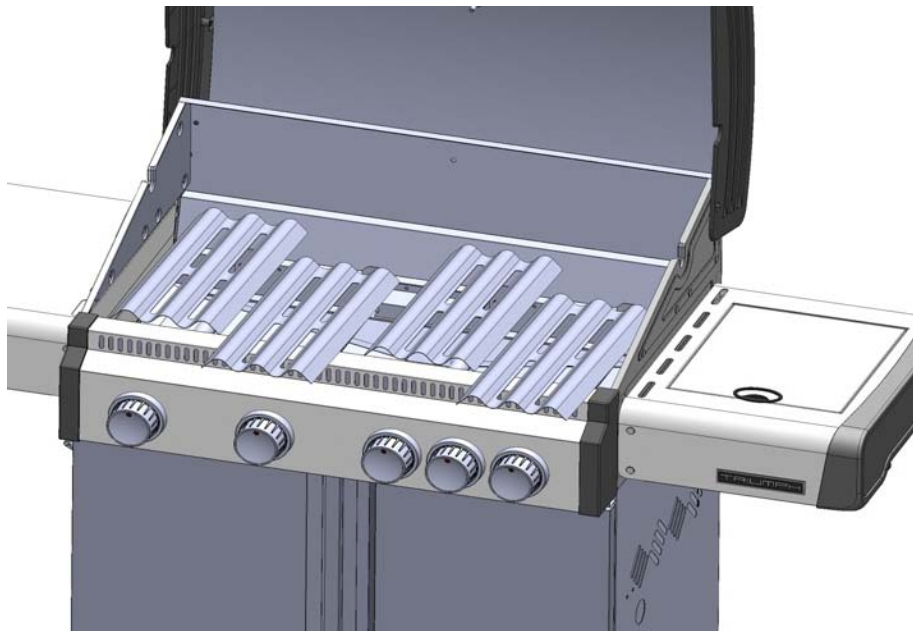


Fit the orifice into the burner tube and secure with the hose retainer clip supplied. Attach the wire from the manifold to the side burner electrode.



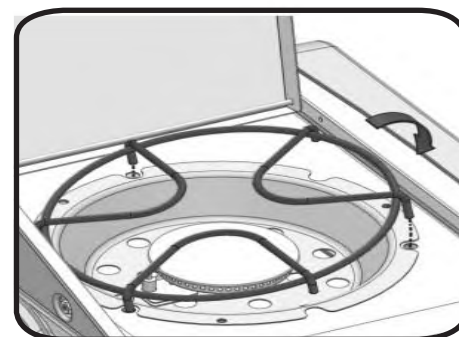
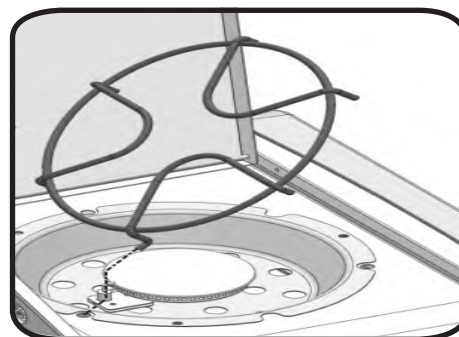
10. Sear Plate Installation

Set sear plates into base, positioning one over each tube burner.



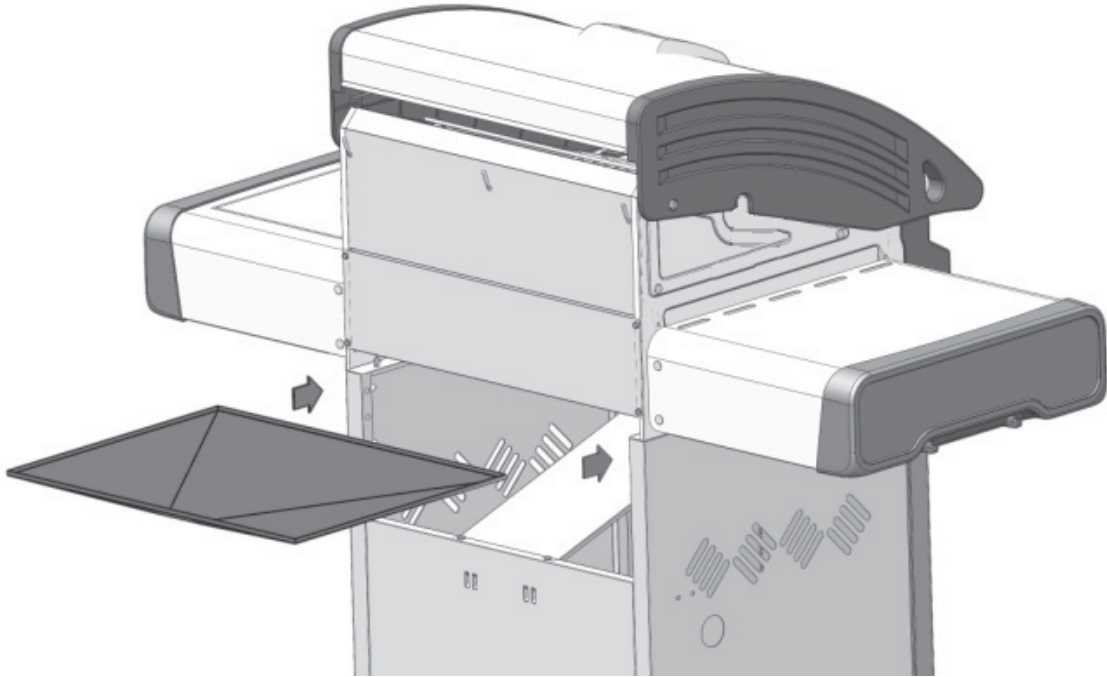
11. Grids and Warming Rack Installation

Position the grids and warming rack into base as shown.



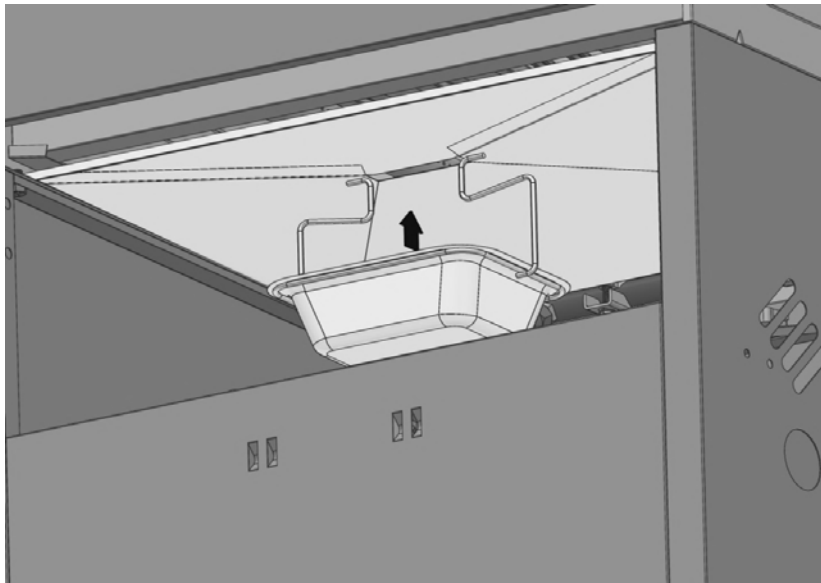
12. Drip Pan Installation

Slide drip pan into rear of base as shown. Ensure drip pan rests on rails at the bottom of base.



13. Grease Tray and Holder Installation

Place aluminum grease tray into the grease tray holder and then clip the wire grease tray holder into the bottom of the drip pan.



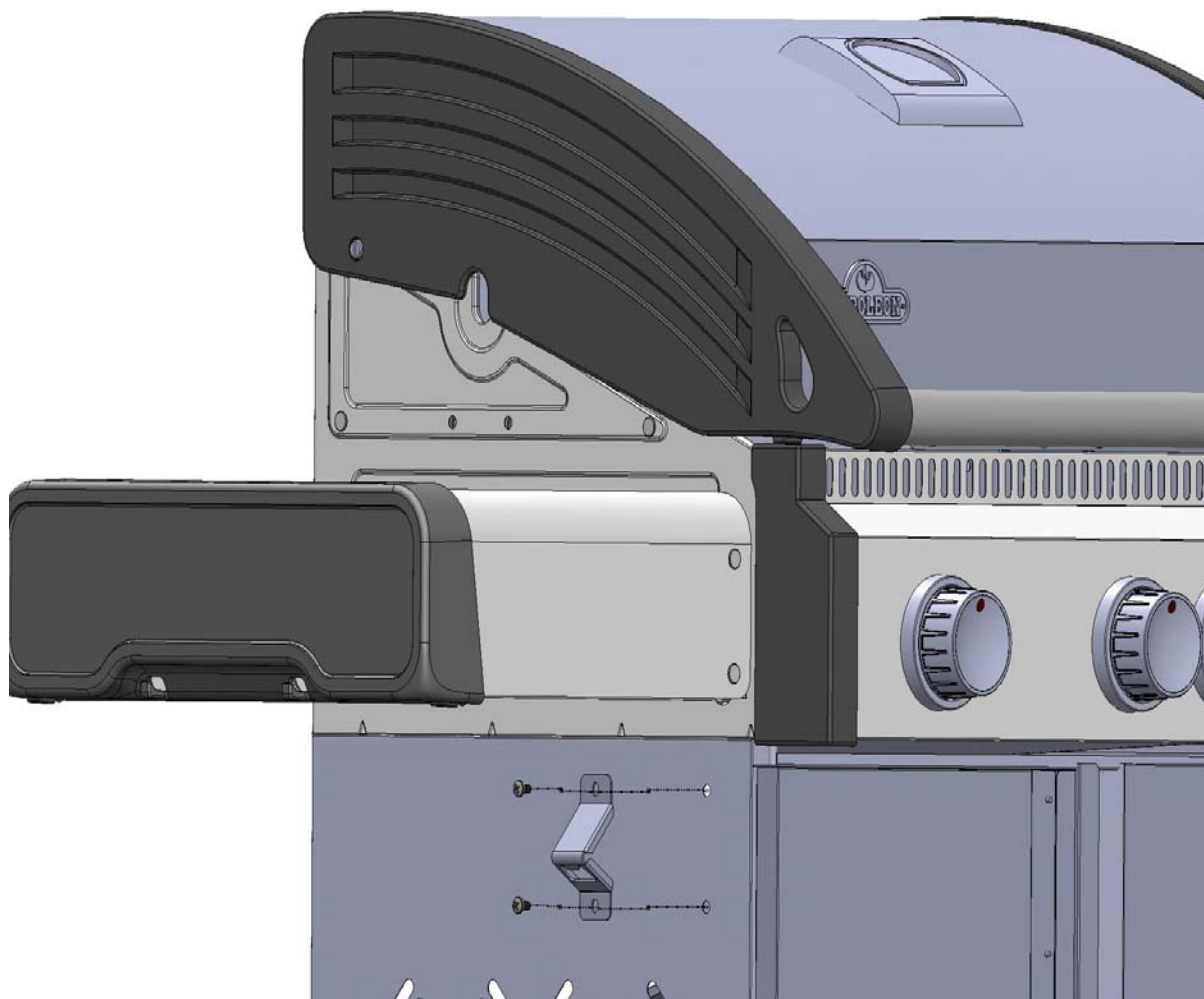


2 x N570-0042 (#10-24 X3/8")

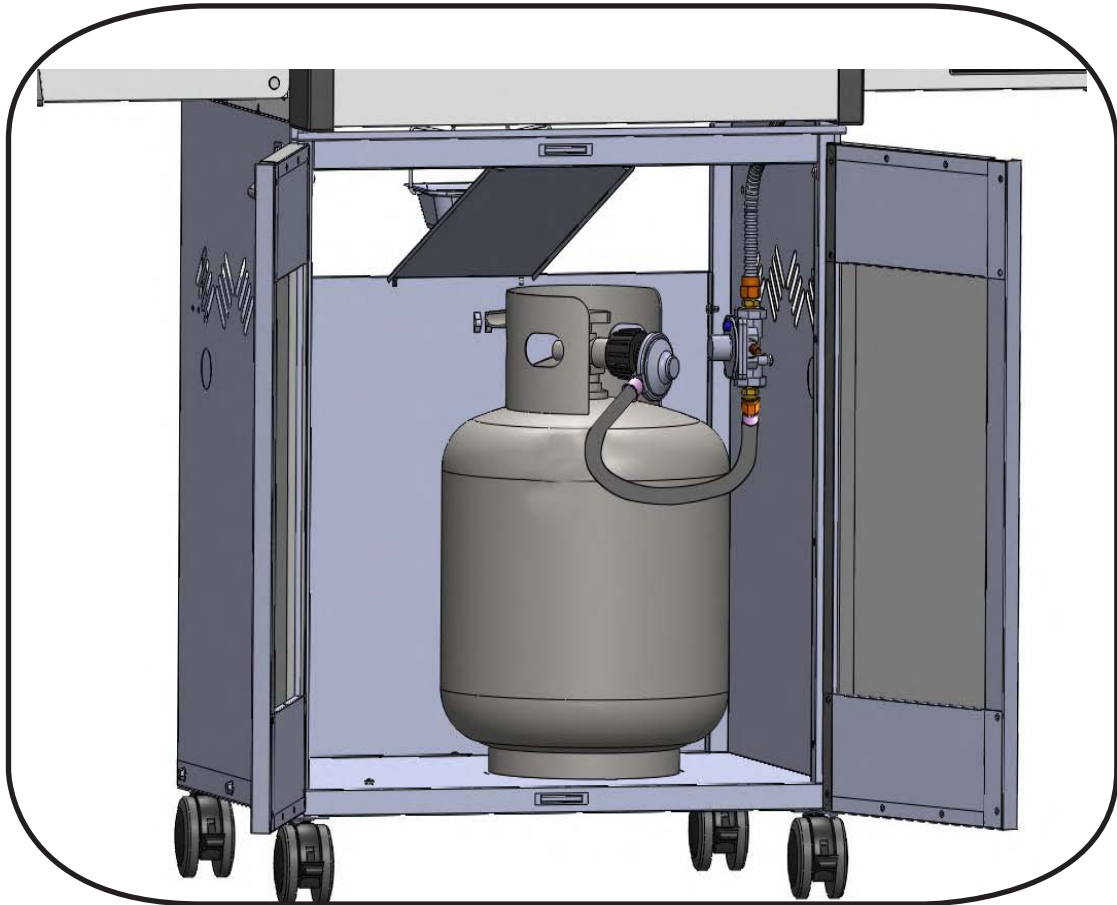


14. Bottle Opener Installation

Fasten bottle opener to the side panel using (2) #10-24x3/8" screws.



15. Proper Hose Connection



All cylinders 7kg or larger must be placed outside the enclosure (under the right side shelf) on level ground. The hose assembly must be routed through the knock out hole in the right side panel.

Leak Testing Instructions



WARNING! A leak test must be performed annually and each time a cylinder is hooked up or if a part of the gas system is replaced.



WARNING! Never use an open flame to check for gas leaks. Be certain no sparks or open flames are in the area while you check for leaks. Sparks or open flames will result in a fire or explosion, damage to property, serious bodily injury, or death.



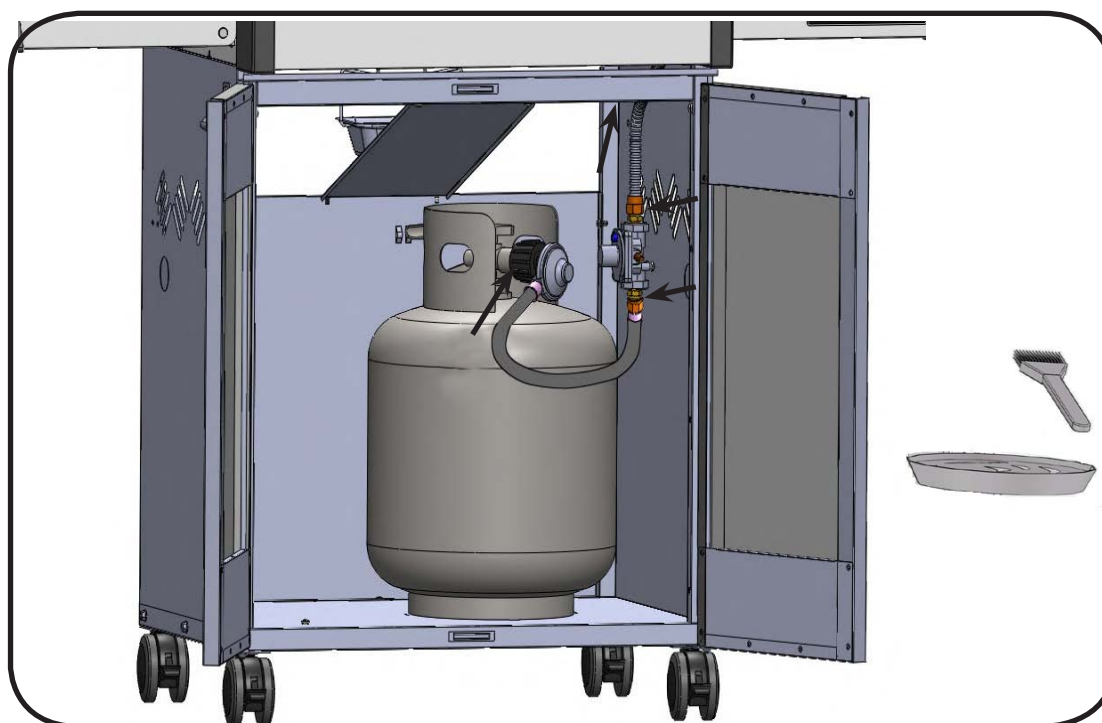
Leak testing: This must be done before initial use, annually, and whenever any gas components are replaced or serviced. Do not smoke while performing this test, and remove all sources of ignition. See Leak Testing Diagram for areas to check. Turn all burner controls to the off position. Turn gas supply valve on.



Brush a half-and-half solution of liquid soap and water onto all joints and connections of the regulator, hose, manifolds and valves.



Bubbles will indicate a gas leak. Either tighten the loose joint or have the part replaced with one recommended by the Napoleon Customer Care department and have the grill inspected by a certified gas installer. If the leak cannot be stopped, immediately shut off the gas supply, disconnect it, and have the grill inspected by a certified gas installer or dealer. Do not use the grill until the leak has been corrected.



All cylinders 7kg or larger must be placed outside the enclosure (under the right side shelf) on level ground. The hose assembly must be routed through the knock out hole in the right side panel.

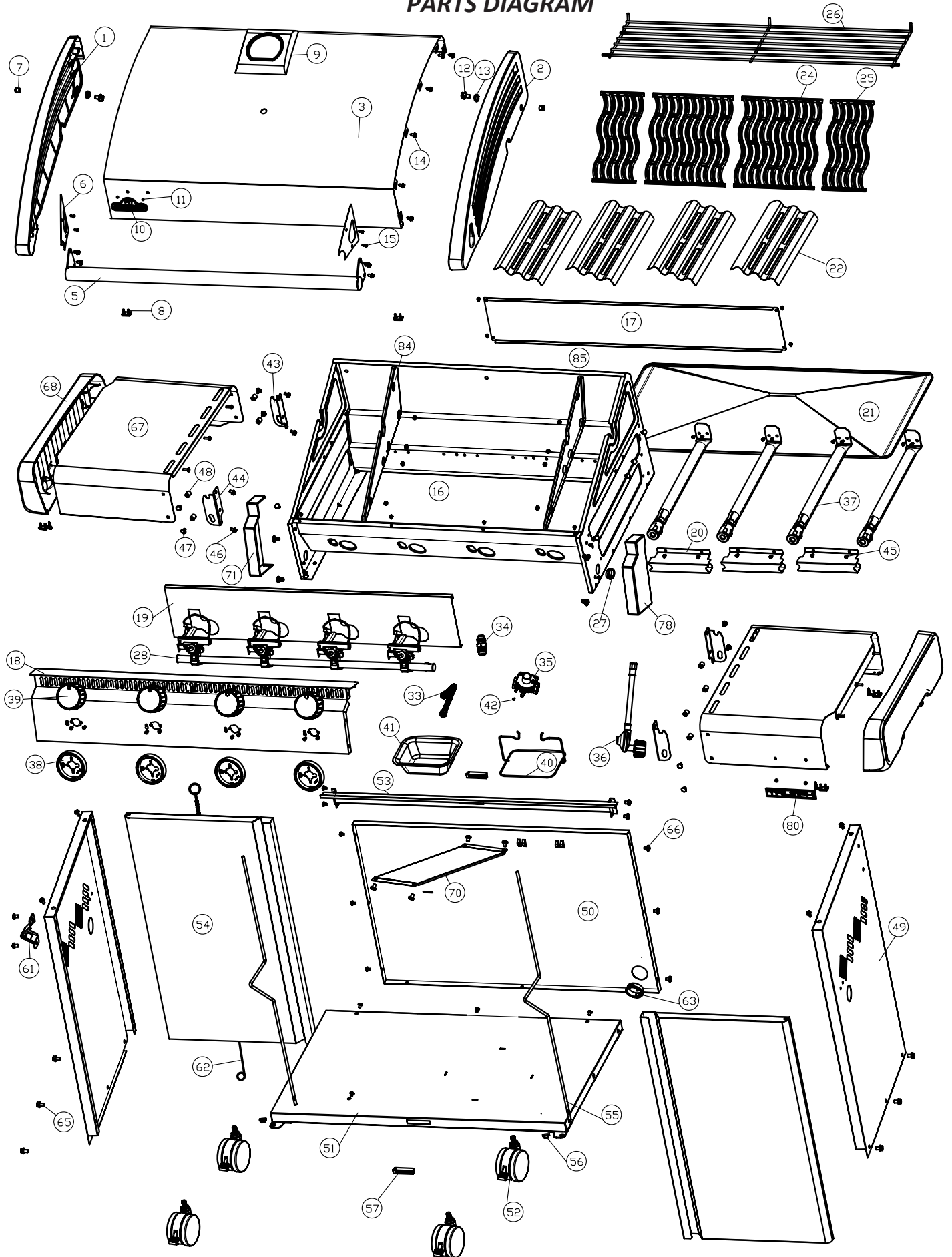
495 Parts List

Item	Part #	495	Item	Part #	495
1	Z135-0001	x	46	Z570-0027	x
2	Z135-0002	x	47	N570-0101	x
3	Z335-0003K	x	48	N450-0039	x
5	Z010-0005	x	49	Z476-0001-GY1SG	x
6	Z080-0001-GY1SG	x	50	Z476-0007-GY1SG	x
7	Z580-0001	x	51	Z010-0012-GY1SG	x
8	N510-0013	x	52	Z130-0002	x
9	N685-0006	x	53	Z655-0003-GY1SG	x
10	N385-0129	x	54	Z010-0015-SS	x
11	W450-0005	x	55	N555-0036	x
12	N570-0038	x	56	N105-0011	x
13	N735-0003	x	57	N430-0002	x
14	N570-0091	x	61	Z080-0012	x
15	N570-0078	x	62	N555-0025	x
16	Z010-0025	x	63	N105-0002	x
17	Z035-0011	x	65	Z570-0027	x
18	Z475-0013	x	66	N570-0042	x
19	Z585-0006	x	67	Z590-0004	x
20	Z080-0015	x	68	N120-0018-GY0TX	x
21	Z710-0003	x	70	Z585-0007-GY1SG	x
22	Z305-0009	x	71	Z120-0005-GY1HT	x
24	Z305-0003K	x	78	Z120-0004-GY1HT	x
25	Z305-0005K	x	80	N385-0239	x
26	Z305-0007	x	82	Z450-0009	x
27	N105-0001	x	84	Z035-0012-M05	x
28	Z010-0022P	x	85	Z035-0013-M05	x
33	N720-0044	x		Z370-0019	x
34	W445-0021	x		65412	ac
	N255-0014	x		65413	ac
35	N530-0023	x		63496	ac
36	N530-0032	x		56060	ac
	N530-0033	x			
	N530-0034	x			
	N530-0035	x			
	N530-0036	x			
	N530-0037	x			
	N530-0038	x			
37	Z100-0003	x			
38	N051-0006	x			
39	N380-0011B	x			
40	Z080-0013	x			
41	N185-0001	x			
42	Z570-0022	x			
43	N080-0284	x			
44	N080-0285	x			
45	Z570-0021	x			

x-standard
x-compris

ac-accessory
ac-accessoires

PARTS DIAGRAM



495SB Parts List

Item	Part #	495SB	Item	Part #	495SB
1	Z135-0001	x	43	N080-0284	x
2	Z135-0002	x	44	N080-0285	x
3	Z335-0003K	x	45	Z570-0021	x
5	Z010-0005	x	46	Z570-0027	x
6	Z080-0001-GY1SG	x	47	N570-0101	x
7	Z580-0001	x	48	N450-0039	x
8	N510-0013	x	49	Z476-0001-GY1SG	x
9	N685-0006	x	50	Z476-0007-GY1SG	x
10	N385-0129	x	51	Z010-0012-GY1SG	x
11	W450-0005	x	52	Z130-0002	x
12	N570-0038	x	53	Z655-0003-GY1SG	x
13	N735-0003	x	54	Z010-0015-SS	x
14	N570-0091	x	55	N555-0036	x
15	N570-0078	x	56	N105-0011	x
16	Z010-0025	x	57	N430-0002	x
17	Z035-0011	x	61	Z080-0012	x
18	Z475-0013SB	x	62	N555-0025	x
19	Z585-0006	x	63	N105-0002	x
20	Z080-0015	x	65	Z570-0027	x
21	Z710-0003	x	66	N570-0042	x
22	Z305-0009	x	67	Z590-0004	x
24	Z305-0003K	x	68	N120-0018-GY0TX	x
25	Z305-0005K	x	69	Z710-0004	x
26	Z305-0007	x	70	Z585-0007-GY1SG	x
27	N105-0001	x	71	Z120-0005-GY1HT	x
28	Z010-0022SBP	x	72	Z010-0027	x
29	Z720-0003	x	73	Z335-0007	x
30	Z455-0001	x	74	Z580-0003	x
31	N160-0016	x	75	Z485-0001	x
32	N750-0016	x	76	Z100-0002	x
33	N720-0044	x	77	Z305-0008	x
34	W445-0021	x	78	Z120-0004-GY1HT	x
	N255-0014	x	79	Z325-0013	x
35	N530-0023	x	80	N385-0239	x
36	N530-0032	x	82	Z450-0009	x
	N530-0033	x	84	Z035-0012-M05	x
	N530-0034	x	85	Z035-0013-M05	x
	N530-0035	x	86	Z720-0004	x
	N530-0036	x	87	Z255-0002	x
	N530-0037	x	88	N051-0008	x
	N530-0038	x	89	N380-0019B	x
37	Z100-0003	x	90	Z010-0028	x
38	N051-0006	x		Z370-0019	x
39	N380-0011B	x		65412	ac
40	Z080-0013	x		65413	ac
41	N185-0001	x		63496	ac
42	Z570-0022	x		56060	ac

x-standard
x-compris

ac-accessory
ac-accessoires

PARTS DIAGRAM

