

DVE45N6300V

SAMSUNG

7.5 cu. ft., 27" Front-Load Electric Dryer



Signature Features

Multi-Steam Technology

- Steam away wrinkles, odours, bacteria and static.

Vent Sensor

- Detects duct blockages and reminds you to clean your vent.

2018 ENERGY STAR® Certified

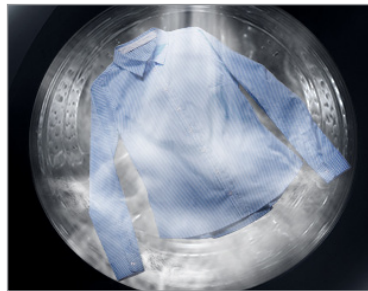
- Meets the strict 2018 energy efficiency specifications and standards.

Eco Dry

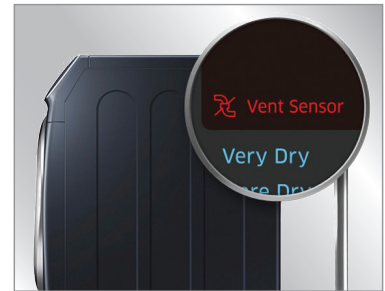
- Uses up to 25% less energy for each load.

Available Colour

- Fingerprint Resistant Black Stainless Steel



Multi-Steam Technology



Vent Sensor

Features

- 2018 ENERGY STAR® Certified
- Multi-Steam Technology
- Vent Sensor
- Stainless Steel Drum
- Eco Dry Technology
- Wi-Fi™ Ready*
- Smart Care
- Sensor Dry
- 12 Preset Dry Cycles
- 12 Options
- 5 Temperature Settings
- 4-Way Venting
- Dual Heaters
- Dryer Drum Light
- Reversible See-Through Door

Convenience

- Child Lock
- My Cycle Option
- Filter Check Indicator

*Requires Wi-Fi™ adapter - HD39J1230GW.

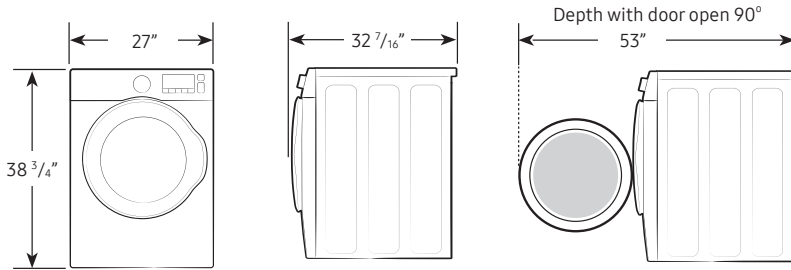


DVE45N6300V

SAMSUNG

7.5 cu. ft., 27" Front-Load Electric Dryer

Dimensions

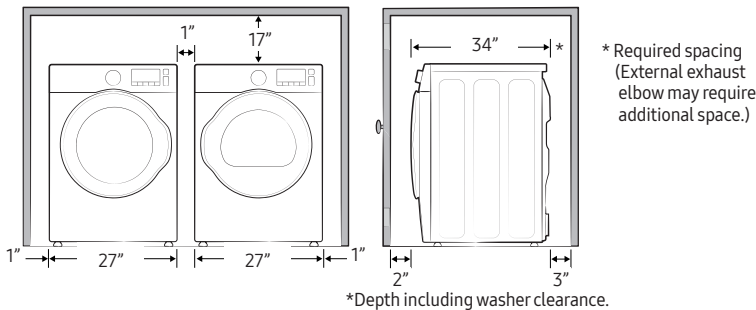


Installation Specifications

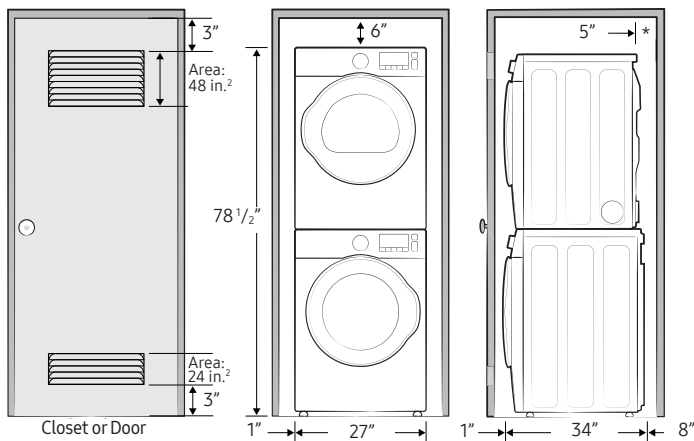
If the washer and dryer are installed together or the dryer alone, the closet front must have two unobstructed air openings for a combined minimum total area of 72 in.² (see stacked build below). Your washer alone does not require a specific air opening.

1. Alcove or closet installation

MINIMUM CLEARANCES FOR CLOSET AND ALCOVE INSTALLATIONS:



2. With stacked washer and dryer



7.5 cu. ft. Capacity IEC

4-Way Venting

12 Preset Dry Cycles:

- Refresh, Wrinkle Away, Steam Sanitize, Normal, Heavy Duty, Permanent Press, Active Wear, Bedding, Delicates, Time Dry, Air Fluff, Quick Dry

12 Options:

- Mixed Load Bell, Wrinkle Prevent, Anti-Static, My Cycle, Adjust Time (Up), Adjust Time (Down), Eco Dry, Sound, Child Lock, Smart Care, Smart Control, Drum Light

5 Temperature Settings:

- High, Medium, Medium Low, Low, Extra Low

5 Dry Levels:

- Very Dry, More Dry, Normal Dry, Less Dry, Damp Dry

Warranty

One (1) Year All Parts and Labour

Product Dimensions & Weight (WxHxD)

Dimensions: 27" x 38 7/10" x 32 2/5"

Weight: 126 lbs. (57 Kg)

Shipping Dimensions & Weight (WxHxD)

Dimensions: 29 2/5" x 42 3/10" x 33 1/2"

Weight: 134 lbs. (61 Kg)

Electric Dryer

Fingerprint Resistant

Black Stainless Steel

Model #

DVE45N6300V

UPC Code

887276258232

Matching Washer

Fingerprint Resistant

Black Stainless Steel

Model #

WF45N6300AV

UPC Code

887276256320