

DVE60M9900V

SAMSUNG

Samsung FlexDry™ Dryer

7.5 cu. ft. Capacity



Signature Features

FlexDry™

- Two dryers in one lets you dry delicates and everyday garments at the same time.

Delicate Dryer

- Flat dry delicates, sweaters, and accessories to prevent items from shrinking and fabric damage.

Multi-Steam Technology

- Steam away wrinkles, odors, bacteria, and static.

Vent Sensor

- Detects duct blockages and reminds you to clean your vent.

Available Colours



Black Stainless Steel (shown)



FlexDry™ with Delicate Dryer



Multi-Steam Technology

Tumble Dryer Features

- Steam
- Vent Sensor
- Wi-Fi Connectivity
- Eco Dry
- Sensor Dry
- Smart Care
- Touch Controls
- Stainless Steel Drum
- 12 Preset Dry Cycles
- 11 Options
- 5 Temperature Settings
- Interior Drum Light
- Ice Blue LED Display
- Child Lock
- Filter Check Indicator
- Door Lock

Rating



ENERGY STAR® - rated
607 kWh/yr

Delicate Dryer Features

- Wi-Fi Connectivity
- Smart Care
- Drying Rack
- 4 Preset Dry Cycles
- 7 Options

Convenience

- Child Lock

DVE60M9900V

SAMSUNG

Samsung FlexDry™ Dryer

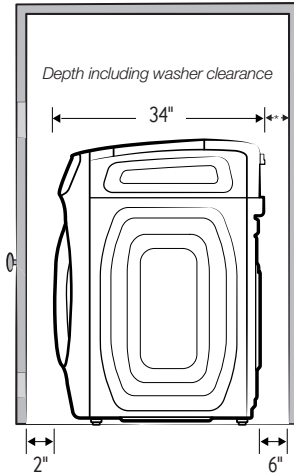
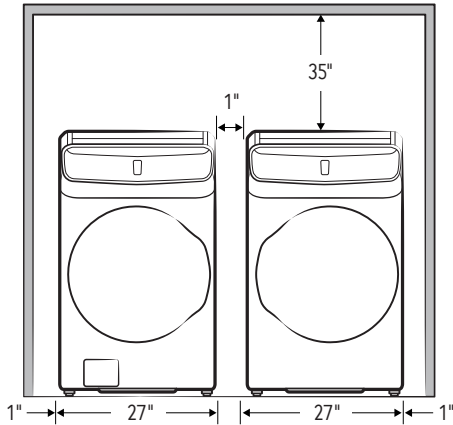
7.5 cu. ft. Capacity

Installation Specifications

If the washer and dryer are installed together or the dryer alone, the closet front must have two unobstructed air openings for a combined minimum total area of 72-inch.2 Your washer alone does not require a specific air opening.

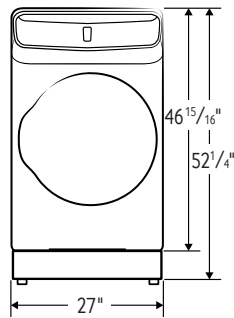
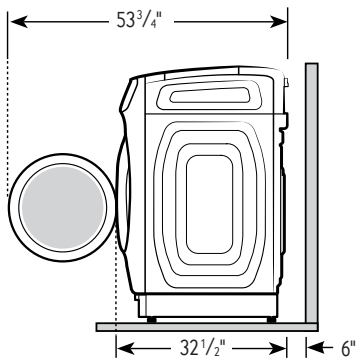
Alcove or closet installation

Minimum Clearance for Closet and Alcove Installations:

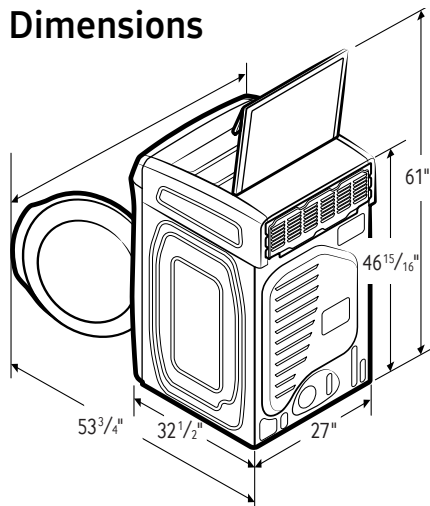


*Required spacing (External exhaust elbow may require additional space.)

Installation with pedestal



Dimensions



4-Way Venting

Tumble Dryer

12 Preset Dry Cycles:

Refresh, Wrinkle Away, Steam Sanitize, Normal, Heavy Duty, Towels, Permanent Press, Active Wear, Bedding, Delicates, Time Dry, Air Fluff

11 Options:

Eco Dry, Adjust Time (up), Adjust Time (down), Anti Static, Mixed Load Bell, Smart Control, Smart Care, Drum Light, Child Lock, Sound, Wrinkle Prevent

5 Temperature Settings:

High, Medium, Medium Low, Low, Extra Low

5 Dry Levels:

Very Dry, More Dry, Normal Dry, Less Dry, Damp Dry

Delicate Dryer

4 Preset Dry Cycles:

Wool, Shirt/Blouse, Undergarment, Accessory

7 Options:

Time+, Super Speed, Air Dry, Smart Control, Smart Care, Child Lock, Sound

Warranty

One (1) Year Parts and Labour

Product Dimensions & Weight (WxHxD)

Dimensions: 27" x 46 15/16" x 32 1/2"

Weight: 165 lbs

Shipping Dimensions & Weight (WxHxD)

Dimensions: 29 9/16" x 50 1/4" x 34 11/16"

Weight: 173.8 lbs

Electric

Black Stainless Steel

Model

DVE60M9900V

UPC Code

887276197562

Matching Washer

Black Stainless Steel

WV60M9900AV

887276196947