

NE595N0PBSR

5.9 cu. ft. Freestanding Induction Range with True Convection

Features

- Four Induction Elements (11", 9" and 7" – 2)
- True Convection Oven (1-Fan)
- Large Oven Capacity – 5.9 cu. ft.
- Boil Alert
- SteamQuick™ (20 min. Oven Cleaning) and Self Clean
- Four Preset Menu Cook Options
- Storage Drawer

Convenience

- Proofing
- Sabbath Mode
- Child Safety Lock
- 3 Chrome Oven Racks
- Hidden Heating Element



Induction Cooktop



Boil Alert

Available Color:



Stainless Steel

Signature Features

INDUCTION COOKTOP

- Induction cooking focuses the most heat directly to the pot so that you can boil and cook faster, plus simmer with more control. Induction cooking uses heat more efficiently as compared to electric and gas.

BOIL ALERT

- Detects boiling points of liquids beyond water (soups, oils, milk) and notifies you with a "beep" when full boil has been reached.
- Set it to automatically reduce heat to avoid boil overs.

LARGE CAPACITY

- Our extra spacious 5.9 cu. ft. large capacity oven easily handles turkey roasters and large baking sheets.



Ranked **"Highest in Customer Satisfaction with Ranges, Cooktops and Ovens"** by J.D. Power and Associates.

SAMSUNG

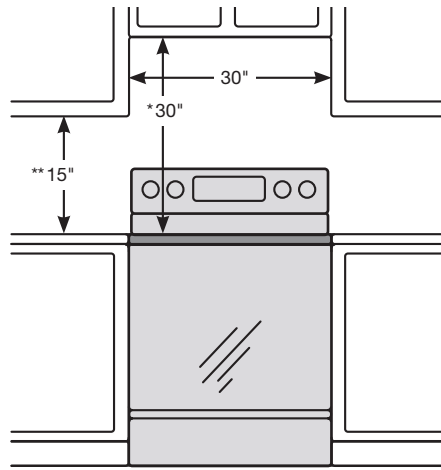
NE595N0PBSR

5.9 cu. ft. Freestanding Induction Range with True Convection

Installing Your Range

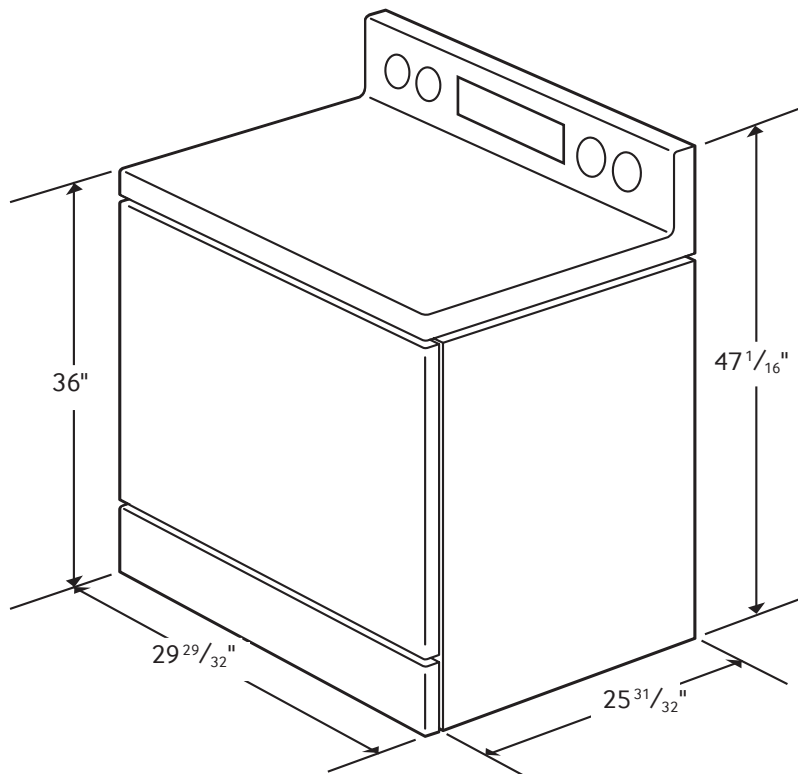
*30" minimum clearance between the top of the cooking surface and the bottom of an unprotected wood or metal cabinet; or 24" minimum when the bottom of the wood or metal cabinet is protected by not less than 1/4" flame retardant millboard covered with not less than no.28 MSG sheet steel, 0.015" stainless steel, 0.024" aluminum or 0.020" copper.

**15" minimum between the countertop and the adjacent cabinet bottom.



IMPORTANT: To eliminate the risk of burns or fire caused by reaching over heated surface units, cabinet storage space located above the surface units should be avoided. If cabinet storage is to be provided, the risk can be reduced by installing a range hood that projects horizontally a minimum of 5" beyond the bottom of the cabinets.

Dimensions



Power Source

240 V/60 Hz

Induction Ceramic Cooktop

- Right Front: Induction 11", 3.4 KW – Boost
- Left Front: Induction 9", 3.0 KW – Boost
- Right Rear: Induction 7", 2.3 KW – Boost
- Left Rear: Induction 7", 2.3 KW – Boost

Oven

- Hidden Bake Element: 3000 W
- Convection Bake: 150°F - 550°F
- Convection Roast: 150°F - 550°F
- Broil Element: 3800 W
- Convection Element/Heater: 800 W
- Broil: Low/Hi (375°F - 450°F)
- Proofing
- Sabbath Mode

Warranty

One (1) Year All Parts and Labor
Five (5) Years Electric Cooktop

Product Dimensions & Weight (WxHxD)

Actual Oven Dimensions:

25" x 20²⁵/₃₂" x 18¹⁵/₁₆"

Outside Net Dimensions:

29²⁹/₃₂" x 47¹/₁₆" x 25³¹/₃₂"

Weight: 187 lbs.

Shipping Dimensions & Weight (WxHxD)

Dimensions:

32⁷/₈" x 50¹³/₃₂" x 30¹/₈"

Weight: 212 lbs.

Color

Stainless Steel

Model #

NE595N0PBSR

UPC Code

036725570771

SAMSUNG

Samsung received the highest numerical score for ranges, cooktops and ovens in the proprietary J.D. Power 2014 Kitchen Appliance StudySM. Study based on 15,380 total responses measuring 17 ranges, cooktops and oven brands and measures opinions of consumers about their new appliance purchased in the past 24 months. Proprietary study results are based on experiences and perceptions of consumers surveyed in January-March 2014. Your experiences may vary. Visit jdpower.com.

Actual color may vary. Design, specifications, and color availability are subject to change without notice. Non-metric weights and measurements are approximate.

©2014 Samsung Electronics America, Inc. 85 Challenger Road, Ridgefield Park, NJ 07660. Tel: 800-SAMSUNG. samsung.com. Samsung is a registered trademark of Samsung Electronics Co. Ltd.