

# RF197ACRS

18 cu. ft. 33-inch Wide French Door Refrigerator

## Features

- 33 Inches Wide
- Storage Capacity – 18 cu. ft.
- LED Lighting
- Automatic Filtered Ice Maker in Freezer
- Twin Cooling System®
- Surround Air Flow
- Power Freeze and Power Cool Options
- Two Humidity-Controlled Crispers
- Tempered Glass Shelves
- Gallon Door Bins
- EZ-Open Handle™ on Freezer Door

## Convenience

- CoolTight Door
- Door Alarm



ENERGY STAR® rated:  
Rated CEE Tier 1: Efficient  
445 kWh/yr



French Door Design



Automatic Filtered Ice Maker in Freezer

## Available Colors



Stainless Steel  
(shown)



White



Black



Stainless Platinum

## Signature Features

### FILTERED ICE MAKER IN FREEZER

Conveniently located in the freezer, Samsung's ice maker provides filtered ice cubes.

### TWIN COOLING SYSTEM®

- Two independent cooling systems perfectly balance air by keeping refrigerator air moist and freezer air dry.
- Higher humidity in the refrigerator means fruits and veggies stay fresher even longer.\*

\*Twin Cooling® humidity levels up to 5x higher than single cooling systems.

### LED LIGHTING

- Beautifully lights up the interior so you're able to quickly spot what you want.
- Sleek design saves more space than traditional incandescent light bulbs.



Ranked **"Highest in Customer Satisfaction with Refrigerators"**  
by J.D. Power and Associates.

**SAMSUNG**

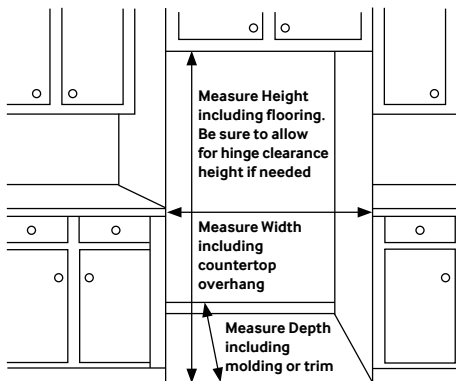
# RF197ACRS

18 cu. ft. 33-inch Wide French Door Refrigerator

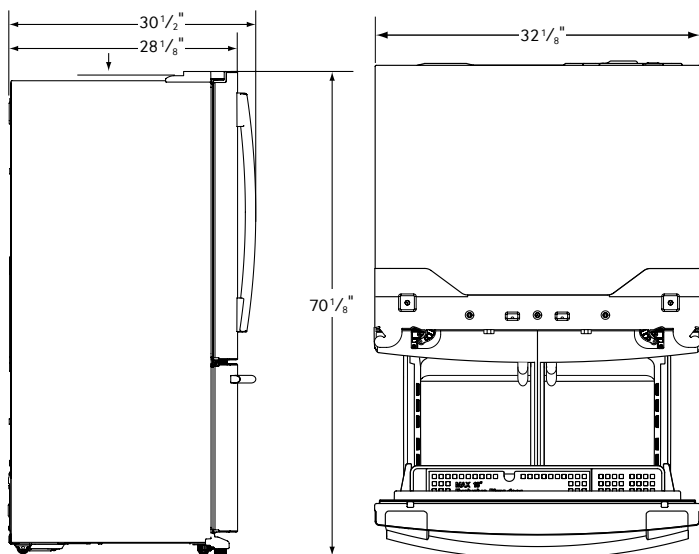
## Installing Your Refrigerator

1. Measure the height, width and depth of the opening, making sure to include baseboards, molding tile, countertop overhang, etc. Check to be sure there is enough room to open the door (consider walls, islands or other obstacles when measuring).
2. Refer to illustration below to determine dimensions.
3. Allow 2" of clearance on hinge side of refrigerator when installing next to a wall where handle may make contact.
4. Allow 1" minimum clearance at rear for proper air circulation and water/electrical connections. Allow a 3/8" minimum clearance at sides and top for ease of installation.
5. Ensure each door and entry way in the home is wide enough for the refrigerator to be moved through easily.

Please note: The following dimension and cutout information is for planning purposes only. For complete installation details consult manual packed with product, or download manual on-line at [samsung.com](http://samsung.com).



## Dimensions



## Total Capacity: 17.8 cu. ft.

### Refrigerator: 12.1 cu. ft.

- Surround Air Flow
- 2 Humidity-Controlled Crispers
- 3 Tempered Glass Shelves
- 5 Gallon Door Bins
- 1 Dairy Bin
- LED Lighting

### Freezer: 5.7 cu. ft.

- EZ-Open Handle™
- 1 Large Opaque Bin with Divider
- Automatic Filtered Ice Maker (Cubed)
- LED Lighting

## Accessories

Water Filter: HAF-CIN (Not included.)

## Warranty

One (1) Year All Parts and Labor  
Five (5) Years Sealed System Parts and Labor

## Product Dimensions & Weight

Dimensions (WxHxD with hinges, handles and doors):  
32 1/8" x 70 1/8" x 30 1/2"

Dimensions (WxHxD without hinges and door):  
32 1/8" x 69 7/8" x 24 1/4"

Dimensions (WxHxD with hinge and door, no handle):  
32 1/8" x 70 1/8" x 28 1/8"

Weight: 251 lbs.

## Shipping Dimensions & Weight (WxHxD)

Dimensions: 34 5/8" x 75" x 30 1/4"

Weight: 282 lbs.

Color	Model #	UPC Code
Stainless Steel	RF197ACRS	036725568273
White	RF197ACWP	036725568280
Black	RF197ACBP	036725568259
Stainless Platinum	RF197ACPN	036725568266

**SAMSUNG**

Samsung received the highest numerical score for refrigerators in the proprietary J.D. Power and Associates 2012 Kitchen Appliance Study.<sup>SM</sup> Study based on 12,615 total responses measuring 17 brands and measures opinions of consumers about their refrigerator obtained new in the past 24 months. Proprietary study results are based on experiences and perceptions of consumers surveyed in January-February 2012. Your experiences may vary. Visit [jdpower.com](http://jdpower.com).

Actual color may vary. Design, specifications, and color availability are subject to change without notice. Non-metric weights and measurements are approximate.

©2013 Samsung Electronics America, Inc. 85 Challenger Road, Ridgefield Park, NJ 07660. Tel: 800-SAMSUNG. [samsung.com](http://samsung.com). Samsung is a registered trademark of Samsung Electronics Co. Ltd.