



Refrigerator

User manual

Free Standing Appliance

SAMSUNG



Contents

Safety information	4
Important safety symbols and precautions:	4
State of California Proposition 65 Warning (US only)	4
Critical installation warnings	5
Installation cautions	7
Critical usage warnings	7
Usage cautions	11
Cleaning cautions	12
Critical disposal warnings	13
1. Regulatory Notice	14
Installation	16
Your refrigerator at a glance	16
Door removal for entrance	18
Step-by-step installation	26
Operations	35
User interface	35
Samsung Connect	44
SMART GRID Function (Demand Response)	47
Recommendations for voice recognition	51
Samsung Family Hub	51
Special features	53
Maintenance	58
Handling and care	58
Cleaning	62
Replacement	63



Troubleshooting	66
General	66
Samsung Connect	70
Samsung Family Hub	71
Smart Grid	72
LCD	73
Do you hear abnormal sounds from the refrigerator?	74
Warranty (USA)	76
WARRANTY ON SAMSUNG REFRIGERATOR	76
Warranty Information (CANADA)	79
If your refrigerator needs service	79
Limited Warranty for Original Purchaser	79
Obligation to the Original Owner	79
Exclusions of the Warranty	80
Open Source Announcement	81



Safety information

- Before using your new Samsung Refrigerator, please read this manual thoroughly to ensure that you know how to operate the features and functions that your new appliance offers safely and efficiently.
- This appliance is not intended for use by persons (including children) with reduced physical, sensory, or mental capabilities, or those who lack experience and knowledge, unless they have been given supervision or instruction concerning the use of the appliance by a person responsible for their safety.
- Because the following instructions cover various models, the characteristics of your refrigerator may differ slightly from the refrigerator described in this manual.
- If you have any question, contact us at 1-800-SAMSUNG or find help and information online at www.samsung.com.
- R-600a or R-134a is used as a refrigerant. Check the compressor label on the rear of the appliance or the rating label inside the fridge to see which refrigerant is used for your refrigerator. If this product contains flammable gas (Refrigerant R-600a), contact your local authority in regard to safe disposal of this product.
- It is hazardous for anyone other than an Authorized Service Person to service this appliance.

Important safety symbols and precautions:

Please follow all safety instructions in this manual. This manual uses the following safety symbols.

WARNING

Hazards or unsafe practices that may result in **severe personal injury, property damage, and/or death**.

CAUTION

Hazards or unsafe practices that may result in **severe personal injury and/or property damage**.

NOTE

Useful information that helps users understand or benefit from the refrigerator.

These warning signs are here to prevent injury to you and others.

Please follow them carefully.

After reading this section, keep it in a safe place for future reference.

State of California Proposition 65 Warning (US only)

WARNING : This product contains chemicals known to the State of California to cause cancer and birth defects or other reproductive harm.



Critical installation warnings

WARNING

- Do not install the refrigerator in a damp location or place where it may come in contact with water.
 - Deteriorated insulation on electrical parts may cause an electric shock or fire.
- Do not place this refrigerator in direct sunlight or expose it to the heat from stoves, room heaters, or other appliances.
- Do not plug several appliances into the same multiple power strip. The refrigerator should always be plugged into its own individual electrical outlet which has a voltage rating that matches the voltage listed on the refrigerator's rating plate.
 - This provides the best performance and also prevents overloading of house wiring circuits, which could overheat the wires and cause a fire hazard.
- If the wall socket is loose, do not insert the power plug.
 - There is a risk of electric shock or fire.
- Do not use a power cord that has cracks or abrasion damage along its length or at either end.
- Do not bend the power cord excessively or place heavy objects on it.
- Do not pull or excessively bend the power cord.
- Do not twist or tie the power cord.
- Do not hook the power cord over a metal object, place a heavy object on the power cord, insert the power cord between objects, or push the power cord into the space behind the appliance.
- When moving the refrigerator, be careful not to roll over or damage the power cord.
 - This may result in an electric shock or fire.
- Never unplug your refrigerator by pulling on the power cord. Always grip the plug firmly and pull straight out from the outlet.
 - Damage to the cord may cause a short-circuit, fire, and/or electric shock.
- Do not store explosive substances such as aerosol cans with a flammable propellant in this appliance.
- Do not install this appliance near a heater or flammable material.
- Do not install this appliance in a location where gas may leak.
 - This may result in an electric shock or fire.
- This refrigerator must be properly located and installed in accordance with the instructions in this manual before you use it.
- Connect the power plug in the proper position with the cord hanging down.
 - If you connect the power plug upside down, the wire can get cut off and cause a fire or electric shock.



Safety information

- Make sure that the power plug is not crushed or damaged by the back of the refrigerator.
- Keep the packing materials out of reach of children.
 - There is a risk of death from suffocation if a child puts the packing materials on his or her head.
- The appliance must be positioned so that the plug is accessible after installation.
 - Failing to do so may result in an electric shock or fire due to electric leakage.
- Do not install this appliance in a humid, oily or dusty location, or in a location exposed to direct sunlight or to water (rain drops).
 - Deteriorated insulation on electrical parts may cause an electric shock or fire.
- If large amounts of dust or water enter the refrigerator, disconnect the power plug and contact your Samsung Electronics service center.
 - Otherwise there is a risk of fire.
- Do not stand on top of the appliance or place objects (such as laundry, lighted candles, lighted cigarettes, dishes, chemicals, metal objects, etc.) on the appliance.
 - This may result in an electric shock, fire, problems with the product, or injury.
- You need to remove all the protective plastic film before you initially plug the product in.
- Children should be supervised to ensure that they do not play with the snap rings used for door adjustment or the water tube clips.
 - There is risk of death by suffocation if a child swallows a snap ring or water tube clip. Keep the snap rings and water tube clips out of children's reach.
- The refrigerator must be safely grounded.
 - Always make sure that you have grounded the refrigerator before attempting to investigate or repair any part of the appliance. Power leakages can cause severe electric shock.
- Never use gas pipes, telephone lines, or other potential lightning attractors as an electrical ground.
 - You must ground the refrigerator to prevent any power leakages or electric shocks caused by current leakage from the refrigerator.
 - This may result in an electric shock, fire, explosion, or problems with the product.
 - Improper use of the grounding plug can result in a risk of electric shock. If it is necessary to use an extension cord, use only a 3-wire extension cord that has a 3-blade grounding plug and a 3-slot receptacle that will accept the plug on the appliance. The marked rating of the extension cord should be AC 115-120 V, 10 A, or more. If a grounding adapter is used, make sure the receptacle box is fully grounded.



-
- Plug the power plug into the wall socket firmly. Do not use a damaged power plug, damaged power cord, or loose wall socket.
 - This may result in an electric shock or fire.
 - If the power cord is damaged, have it replaced immediately by the manufacturer or one of its service agents.
 - Only a qualified technician or service company should be allowed to change the fuse in the refrigerator.
 - Failing to do so may result in an electric shock or personal injury.

Installation cautions

CAUTION

- Allow sufficient space around the refrigerator and install it on a flat surface.
 - Keep the ventilation space in the appliance enclosure or mounting structure clear of obstructions.
- After you have installed the refrigerator and turned it on, allow the appliance to stand for 2 hours before loading it with food.
- We strongly recommend you have a qualified technician or service company install the refrigerator.
 - Failing to do so may result in an electric shock, fire, explosion, problems with the product, or injury.
- Overloading one door may make the refrigerator fall, causing physical injury.

Critical usage warnings

WARNING

- Do not insert the power plug into a wall socket with wet hands.
 - This may result in an electric shock.
- Do not store articles on the top of the appliance.
 - When you open or close the door, the articles may fall and cause personal injury and/or material damage.
- Do not insert hands, feet or metal objects (such as chopsticks, etc.) into the bottom or the back of the refrigerator.
 - This may result in an electric shock or injury.
 - Any sharp edges may cause a personal injury.

Safety information

- Do not touch the inside walls of the freezer or products stored in the freezer with wet hands.
 - This may cause frostbite.
- Do not put a container filled with water on the refrigerator.
 - If spilled, there is a risk of fire or electric shock.
- Do not keep volatile or flammable objects or substances (benzene, thinner, propane gas, alcohol, ether, LP gas, and other such products) in the refrigerator.
 - This refrigerator is for storing food only.
 - This may result in fire or explosion.
- Children should be supervised to ensure that they do not play with the appliance.
 - Keep fingers out of “pinch point” areas. Clearances between the doors and cabinet are necessarily small. Be careful when you open the doors if children are in the area.
- Do not let children hang on the door or door bins. A serious injury may occur.
- Do not let children go inside the refrigerator. They could become trapped.
- Do not insert your hands into the area under the appliance.
 - Any sharp edges may cause personal injury.
- Do not store pharmaceutical products, scientific materials, or temperature sensitive products in the refrigerator.
 - Products that require strict temperature controls must not be stored in the refrigerator.
- Do not place or use electrical appliances inside the refrigerator/freezer, unless they are of a type recommended by the manufacturer.
- If you smell smoke, pull out the power plug immediately, and then contact your Samsung Electronics service center.
- If large amounts of dust or water enter the refrigerator, disconnect the power plug and contact your Samsung Electronics service center.
 - Otherwise there is a risk of fire.
- Do not let children step on a drawer.
 - The drawer may break and cause them to slip.
- Do not leave the doors of the refrigerator open while the refrigerator is unattended and do not let children enter the refrigerator.
- Do not allow babies or children go into a drawer.
 - It can cause death from suffocation by entrapment or personal injury.
- Do not overfill the refrigerator with food.
 - When you open the door, an item may fall out and cause personal injury or material damage.
- Do not spray volatile material such as insecticide onto the surface of the appliance.
 - As well as being harmful to humans, it may also result in an electric shock, fire, or problems with the product.

- Never put fingers or any objects into the water dispenser outlet, ice chute, or ice maker bucket.
 - It may cause a personal injury or material damage.
- Do not use or place any substances sensitive to temperature such as flammable sprays, flammable objects, dry ice, medicine, or chemicals near or inside the refrigerator.
- Do not use a hair dryer to dry the inside of the refrigerator. Do not place a lighted candle in the refrigerator to remove bad odors.
 - This may result in an electric shock or fire.
- Fill the water tank, ice tray, and water cubes with potable water only (tap water, mineral water, or purified water).
 - Do not fill the tank with tea, juice, or a sports drink. They can damage the refrigerator.
- Do not stand on top of the appliance or place objects (such as laundry, lighted candles, lighted cigarettes, dishes, chemicals, metal objects, etc.) on the appliance. This may result in an electric shock, fire, problems with the product, or injury. Do not put a container filled with water on the appliance.
 - If spilled, there is a risk of fire or electric shock.
- Do not use mechanical devices or any other means to accelerate the defrosting process, other than those recommended by the manufacturer.
- Do not damage the refrigerant circuit.
- Never stare directly at the UV LED lamp for long periods of time.
 - This may result in eye strain due to the ultraviolet rays.
- Do not put a fridge shelf into the refrigerator upside down. The shelf stopper will not work.
 - The glass shelf could fall and cause personal injury.
- Keep fingers out of “pinch point” areas. Clearances between the doors and cabinet are necessarily small. Be careful when you open the doors if children are in the area.
- If a gas leak is detected, avoid any naked flames or potential sources of ignition, and air the room in which the appliance is standing for several minutes.
 - Do not touch the appliance or power cord.
 - Do not use a ventilating fan.
 - A spark may result in an explosion or fire.
- Use only the LED Lamps provided by the manufacturer or its service agents.
- Bottles should be stored tightly together so that they do not fall over or out.
- This product is intended only for the storage of food in a domestic environment.
- Never put fingers or any objects into the water dispenser outlet, ice chute, or ice maker bucket.
 - This can cause a personal injury or material damage.



Safety information

- Do not attempt to repair, disassemble, or modify the refrigerator yourself.
 - Unauthorized modifications can cause safety problems. To reverse an unauthorized modification, we will charge the full cost of parts and labor.
- Do not use any fuse (such as cooper, steel wire, etc.) other than a standard fuse.
- If your refrigerator needs to be repaired or reinstalled, contact your nearest service center.
 - Failing to do so may result in an electric shock, fire, problems with the product, or injury.
- If the interior or exterior LED lamp has gone out, contact your nearest Samsung service center.
- If the refrigerator emits a burning smell or smoke, unplug the refrigerator immediately and contact a Samsung service center.
 - Failing to do so may result in an electric or fire hazards.
- Pull the power plug out of the socket before changing the interior lamps of the refrigerator.
 - Otherwise, there is a risk of electric shock.
- If you experience difficulty changing a non-LED light, contact a Samsung service center.
- If the product is equipped with LED lamps, do not disassemble the Lamp Covers and LED lamps yourself.
 - Contact a Samsung service center.
- Plug the power plug into the wall socket firmly.
- Do not use a damaged power plug, damaged power cord, or loose wall socket.
 - This may result in an electric shock or fire.



Usage cautions

CAUTION

- Do not re-freeze frozen foods that have thawed completely. Do not place carbonated or fizzy drinks in the freezer compartment. Do not put bottles or glass containers in the freezer.
 - When the contents freeze, the glass may break and cause personal injury.
- Use only the ice maker provided with the refrigerator.
- To get the best performance from the product:
 - Do not place food too close to the vents at the rear of the refrigerator as this can obstruct free air circulation in the refrigerator compartment.
 - Wrap food up properly or place it in airtight containers before putting it into the refrigerator.
 - Do not put glass bottles or carbonated beverages into the freezer. They can freeze and break. Broken beverage containers can cause injury.
 - Please observe maximum storage times and expiration dates of frozen goods.
- Do not put glass containers or bottles or carbonated beverages into the freezer.
 - The container may freeze and break, and this may result in injury.
- Service Warranty and Modification.
 - Any changes or modifications performed by a 3rd party on this finished appliance are not covered under Samsung warranty service, nor is Samsung responsible for safety issues that result from 3rd party modifications.
- Do not block the air vents inside the refrigerator.
 - If the air vents are blocked, especially with a plastic bag, the refrigerator can be over cooled. If a cooling period lasts too long, the water filter may break and cause water leakage.
- If the refrigerator is disconnected from the power supply, you should wait for at least five minutes before plugging it back in.
- If large amounts of water enter the refrigerator, pull out the power plug and contact a Samsung service center.
- Do not strike or apply excessive force to any glass surface.
 - Broken glass may result in a personal injury and/or property damage.
- Fill the water tank and ice cube trays with potable water only (tap water, mineral water, or purified water).
 - Do not fill the tank with tea, juice, or a sports drink. They can damage the refrigerator.
- If the refrigerator is flooded, shut off the power to the refrigerator and contact your nearest Samsung service center.
 - There is a risk of electric shock or fire.



Safety information

- Do not keep vegetable oil in your refrigerator's door bins. The oil can solidify, making it foul-tasting and difficult to use. In addition, the open container can leak and the leaked oil can cause the door bin to crack. After opening an oil container, it is best to keep the container in a cool and shaded place such as a cupboard or pantry.
 - Examples of vegetable oil: olive oil, corn oil, grape-seed oil, etc.

Cleaning cautions

CAUTION

- Do not spray water directly on the inside or outside the refrigerator.
 - There is a risk of fire or electric shock.
- Do not use a hair dryer to dry the inside of the refrigerator.
- Do not place a lighted candle in the refrigerator to remove bad odors.
 - This may result in an electric shock or fire.
- Do not spray cleaning products directly on the display.
 - Printed letters on the display may come off.
- If any foreign substance such as water has entered the appliance, unplug the power plug and contact your nearest service center.
 - Failing to do so may result in an electric shock or fire.
- Use a clean, dry cloth to remove any foreign matter or dust from the power plug blades. Do not use a wet or damp cloth when cleaning the plug.
 - Otherwise, there is a risk of fire or electric shock.
- Do not clean the appliance by spraying water directly onto it.
- Do not use benzene, thinner, or Clorox (bleach) to clean the refrigerator.
 - They may damage the surface of the appliance and may cause a fire.
- Never put fingers or any objects into the dispenser outlet.
 - This can cause a personal injury or material damage.
- Before cleaning or performing maintenance, unplug the appliance from the wall socket.
 - Failing to do so may result in an electric shock or fire.
- Use a clean sponge or soft cloth and a mild detergent in warm water to clean the refrigerator.
- Do not use abrasive or harsh cleansers such as window sprays, scouring cleansers, flammable fluids, muriatic acid, cleaning waxes, concentrated detergents, bleaches, or cleansers containing petroleum products on exterior surfaces (doors and cabinet), plastic parts, door and interior liners, and gaskets.
 - These can scratch or damage the material.



-
- Do not clean glass shelves or covers with warm water when they are cold. Glass shelves and covers may break if exposed to sudden temperature changes or impacts such as bumping or dropping.

Critical disposal warnings

WARNING

- **DANGER** : Risk of child entrapment. Before you throw away your old refrigerator or freezer:
 - Take off the doors and door latch.
 - Leave the shelves in place so that children cannot easily climb inside.
 - Children trapped inside a refrigerator can hurt themselves or suffocate to death.
- Please dispose of the packaging material from this product in an environmentally friendly manner.
- Ensure that none of the pipes on the back of the refrigerator are damaged prior to disposal.
- R-600a or R-134a is used as a refrigerant. Check the compressor label on the rear of the appliance or the rating label inside the fridge to see which refrigerant is used for your refrigerator. If this refrigerator contains flammable gas (Refrigerant R-600a), contact your local authority in regard to the safe disposal of this product.
- When disposing of this refrigerator, remove the door/door seals and door latch so that small children or animals cannot become trapped inside. Children should be supervised to ensure that they do not play with the appliance.
 - If trapped inside, the child could be injured or suffocate to death.
- Cyclopentane is used in the insulation. The gases in the insulation material require a special disposal procedure. Please contact your local authorities in regard to the environmentally safe disposal of this product.
- Keep all packaging materials well out of the reach of children, as packaging materials can be dangerous to children.
 - If a child places a bag over his or her head, the child could suffocate.



Safety information

1. Regulatory Notice

1.1 FCC Notice

FCC CAUTION:

Any changes or modifications not expressly approved by the party responsible for compliance could void the user's authority to operate the equipment.

Contains Transmitter Module FCC ID: A3LWCM730Q

This device complies with Part 15 of FCC Rules. Operation is Subject to the following two conditions:

- (1) This device may not cause harmful interference, and
- (2) This device must accept any interference received including interference that cause undesired operation.

For products available in the US and Canadian markets, only channels 1~11 are available. You cannot select other channels.

FCC STATEMENT:

This equipment has been tested and found to comply within the limits for a Class B digital device, pursuant to part 15 of the FCC Rules. These limits are designed to provide reasonable protection against harmful interference in a residential installation.

This equipment generates, uses, and can radiate radio frequency energy and, if not installed and used in accordance with the instructions, may cause harmful interference to radio communications. However, there is no guarantee that interference will not occur in a particular installation. If this equipment does cause harmful interference to radio or television reception, which can be determined by turning the equipment off and on, the user is encouraged to try to correct the interference by one or more of the following measures:

- Reorient or relocate the receiving antenna
- Increase the separation between the equipment and receiver
- Connect the equipment to an outlet that is on a different circuit than the receiver.
- Consult the dealer or an experienced radio/TV technician for help.

FCC RADIATION EXPOSURE STATEMENT:

This equipment complies with FCC radiation exposure limits set forth for an uncontrolled environment.

This equipment should be installed and operated so there is at least 8 inches (20 cm) between the radiator and your body. This device and its antennas must not be co-located or operated in conjunction with any other antenna or transmitter except in accordance with FCC multi-transmitter product procedures.



1.2 IC Notice

Contains Transmitter Module IC: 649E-WCM730Q

The term “IC” before the radio certification number only signifies that Industry Canada technical specifications were met. Operation is subject to the following two conditions : (1) this device may not cause interference, and (2) this device must accept any interference, including interference that may cause undesired operation of the device.

This Class B digital apparatus complies with Canadian ICES-003.

Cet appareil numérique de la classe B est conforme à la norme NMB-003 du Canada.

For products available in the US and Canadian markets, only channels 1~11 are available. You cannot select other channels.

IC RADIATION EXPOSURE STATEMENT:

This equipment complies with IC RSS-102 radiation exposure limits set forth for an uncontrolled environment. This equipment should be installed and operated so there is at least 8 inches (20 cm) between the radiator and your body. This device and it's antennas must not be co-located or operated in conjunction with any other antenna or transmitter except in accordance with FCC multi-transmitter product procedures.

SAVE THESE INSTRUCTIONS

Installation

Follow these instructions carefully to prevent accidents and to ensure the proper installation of this refrigerator.

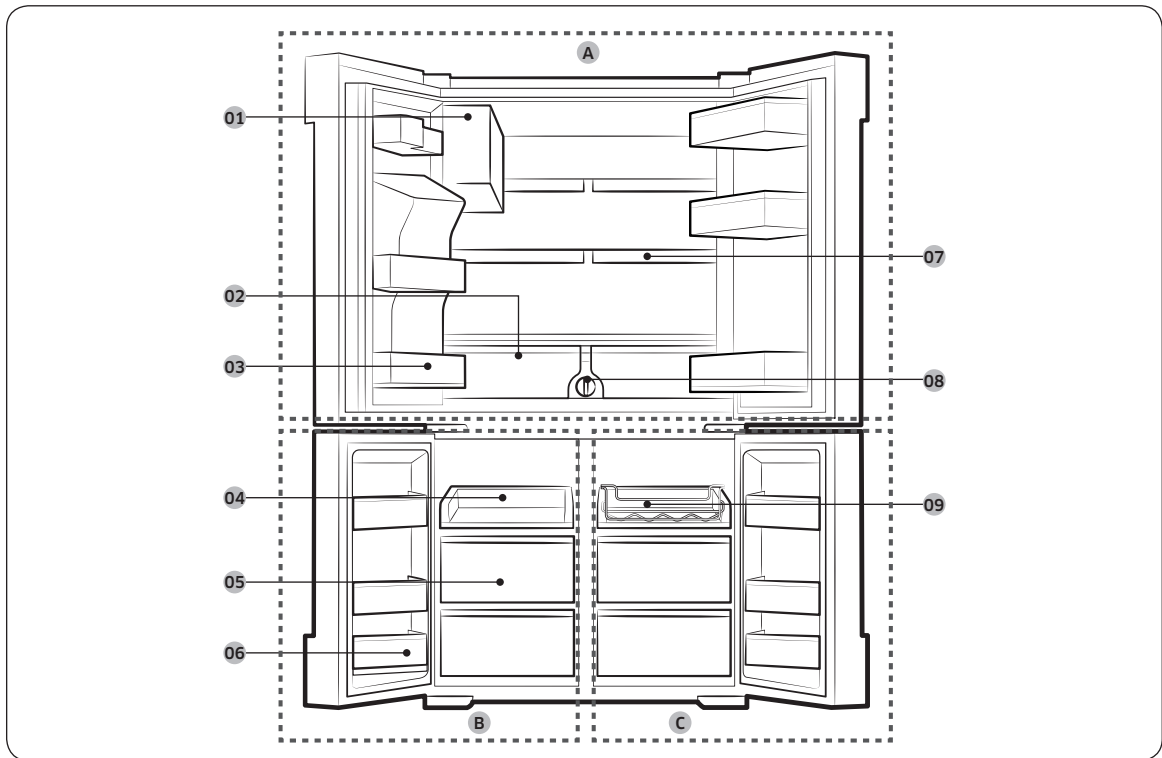
WARNING

- Use the refrigerator only for its intended purpose as described in this manual.
- Any servicing must be performed by a qualified technician.
- Dispose of the product packaging material in compliance with the local regulations.
- To prevent electric shock, unplug the power cord before servicing.

Your refrigerator at a glance

NOTE

Your refrigerator and the provided component parts of your refrigerator may differ from the illustrations in this manual, depending on the model and your country.



-
- | | |
|--|--------------------|
| 01 Auto Ice Maker (Ice Master) | A. Fridge |
| 02 EZ Fresh Vegetable & Fruit Drawers | B. Freezer |
| 03 Fridge Multi-Purpose Guard | C. FlexZone |
| 04 Easy Slide-Shelf | |
| 05 Dry Food and Meat Storage Drawers | |
| 06 Freezer door Bins | |
| 07 Quick Space Shelf | |
| 08 Water filter | |
| 09 Wine Rack | |

 **NOTE**

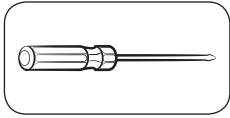
- For energy efficiency, keep all shelves, drawers, and baskets in their original positions.
- When closing the door, make sure the vertical hinged section is in the correct position to avoid scratching the other door.
- If the vertical hinged section is reversed, put it back into the correct position, and then close the door.
- Moisture may form at times on the vertical hinged section.
- If you close a door forcefully, the other door may open.
- When the door is opened, the interlock switch automatically disables the auger motor of the ice maker for safety reasons.
- If the internal or external LED lamp is out of order, contact a local Samsung service center.

Installation

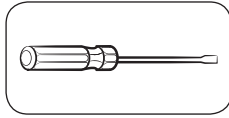
Door removal for entrance

If the refrigerator cannot pass through the entrance to your home or kitchen due to its size, follow these instructions to remove and then re-install the refrigerator's doors. If you do not need to remove the doors, go to page 26 for the installation instructions.

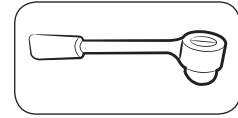
Tools required (not provided)



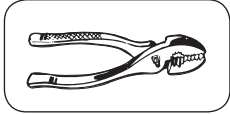
Phillips head screwdriver



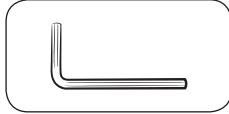
Flat-head screwdriver



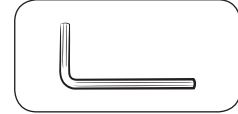
Socket wrench (10 mm)



Pliers

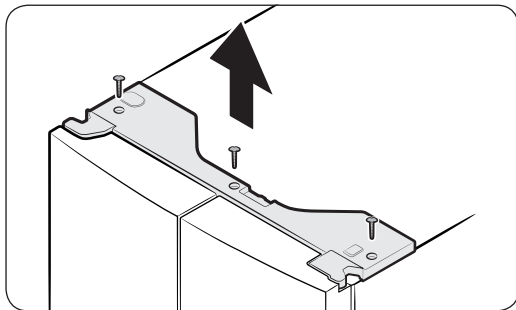


Allen wrench (4 mm)

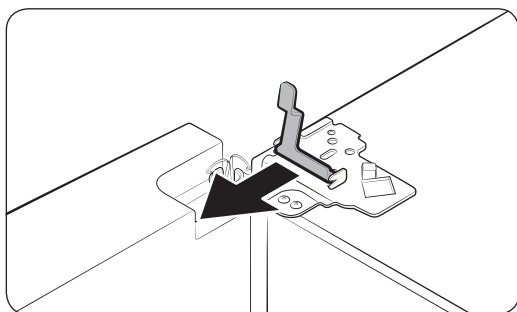
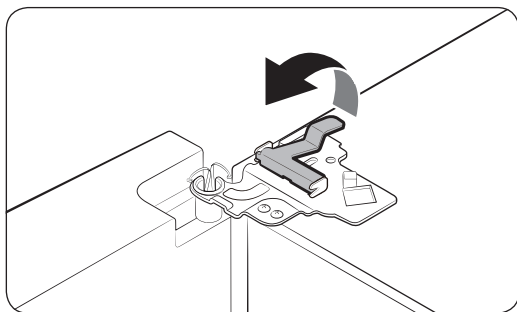
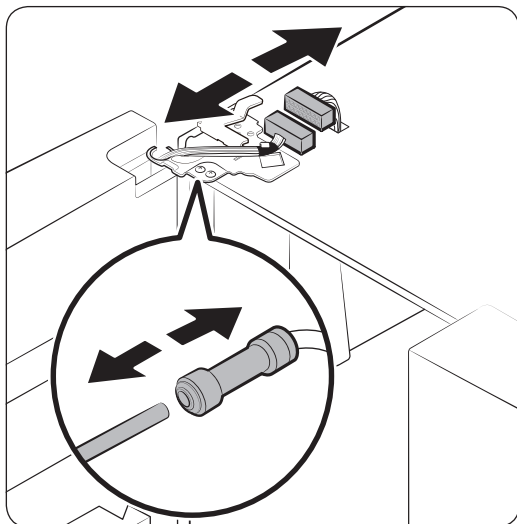


Allen wrench (5 mm)

Detaching the fridge doors



1. With the door closed, use a Phillips head screwdriver to remove the screws (x3) from the top cover. Pull up and remove the top cover with the connectors.



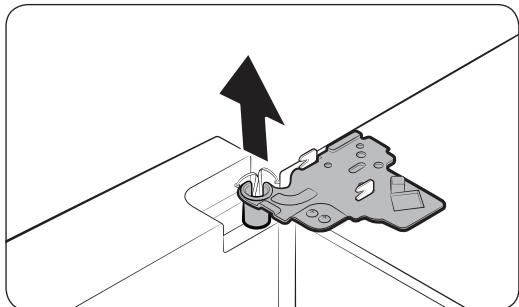
2. Disconnect the two wire connectors on the left door. The position of the connectors differs with the model.

⚠ CAUTION

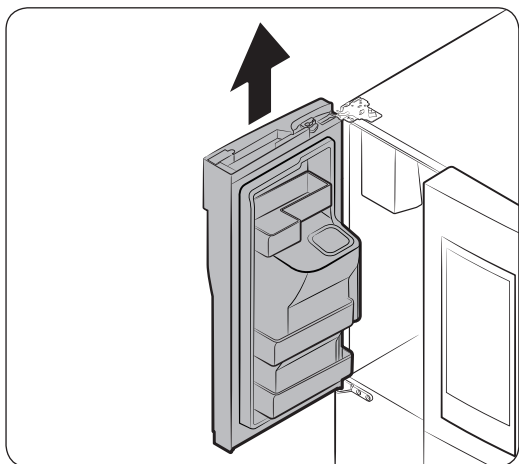
- Do not remove both doors simultaneously. Make sure to remove one door at a time. Otherwise, one or both of the doors may fall and cause physical injury.
 - Make sure the refrigerator is off before disconnecting the connectors.
3. Disconnect the water tube from the coupler on the left door as shown.
 4. Gently draw up the clamp in several steps. To prevent finger injuries, do not apply a sudden force to the clamp.

5. Pull up the clamp to remove.

Installation



6. Open the door 90 degrees. While holding the door, pull up and remove the top hinge. Be careful not to damage the connector wires when you remove the hinge.

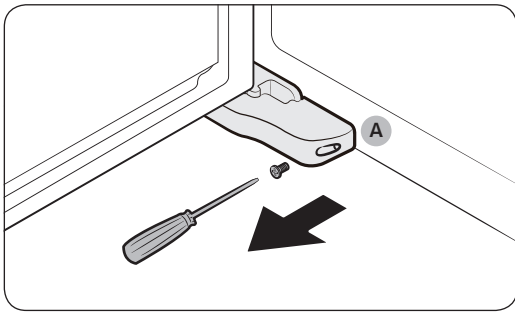


7. Gently pull up the door vertically to remove. Do not apply excessive force to the door. The door may fall, causing physical injury.
8. Lay the door down on a flat surface.
9. Repeat the steps above for the other door, except for Step 3. There is no water tube on the right side door.

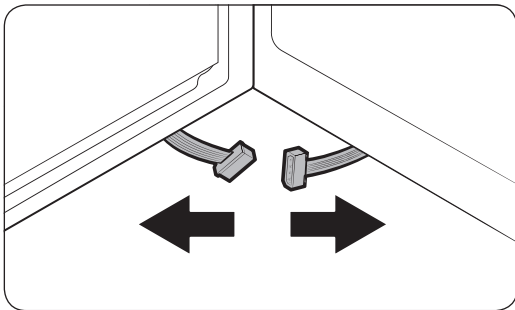
Detaching the freezer doors

⚠ CAUTION

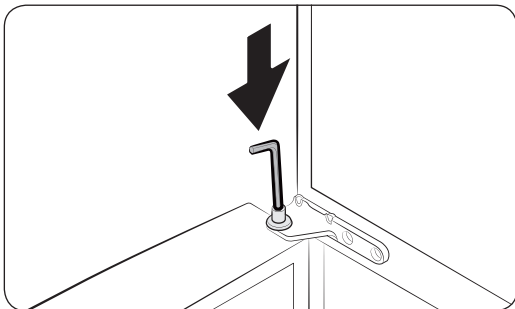
- Be sure to remove the fridge doors before removing the freezer doors.
- Use caution when disconnecting the bottom connectors.



1. With the freezer door open, use a Phillips head screwdriver to remove the screw holding the **cover (A)** of the adjustable leg.

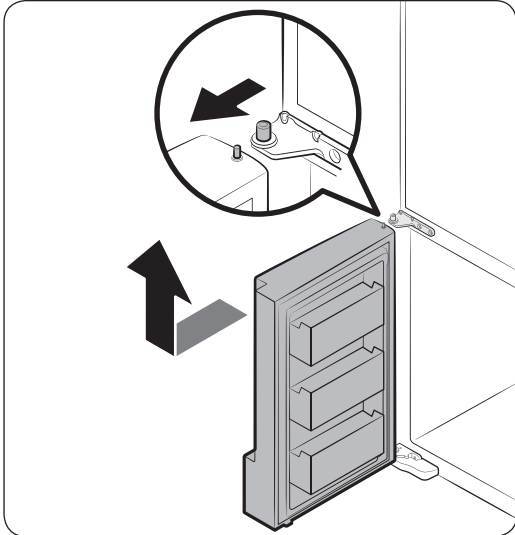


2. Disconnect the wire connectors.



3. Locate the hinge shaft. While holding the door with one hand, use a flat-head screwdriver or wrench to press the shaft down. Make sure to hold the door to prevent the door from falling.

Installation

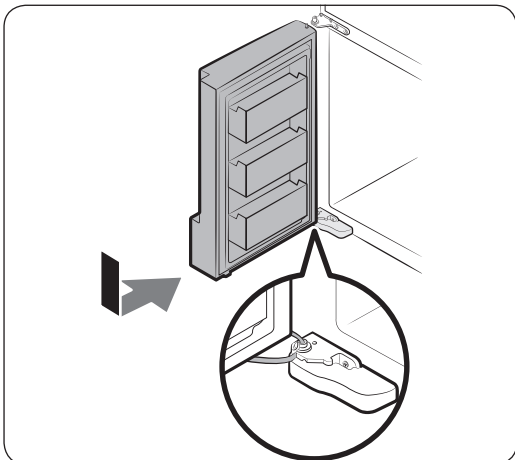


4. To prevent contact with the middle hinge, slightly tilt the door to the front, and then lift it up to remove.
5. Repeat the steps above for the other door.

Re-attaching the freezer doors

CAUTION

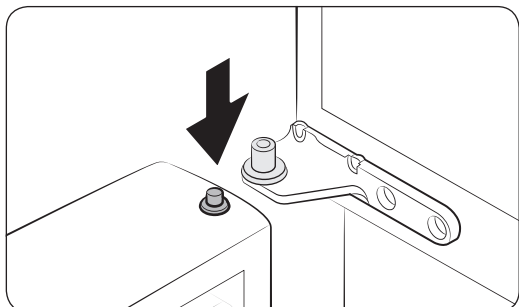
- Before re-attaching the doors, make sure all the electrical connectors are properly connected.
- The freezer doors must be re-attached before the fridge doors.
- Be careful not to damage or step on the wires during this process.



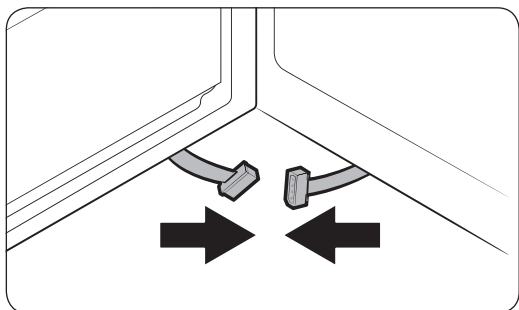
1. Insert the freezer door into the bottom hinge while pushing the freezer door in the direction of the arrow.

CAUTION

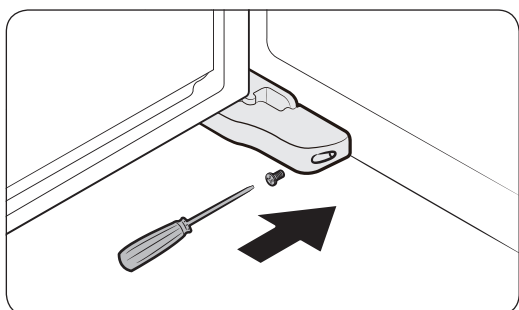
- Be careful not to damage or step on the wires during this process.



2. While pressing the hinge shaft down, position the door so that the hinge shaft is below the shaft hole in the middle hinge. Release the hinge shaft so that it enters the shaft hole.



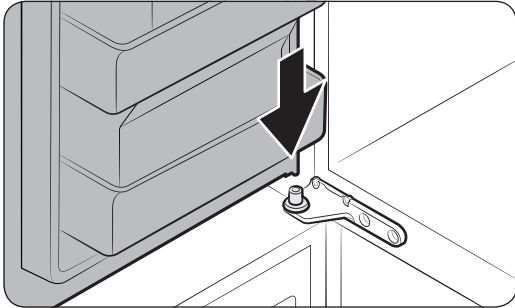
3. With the door open, connect the bottom connectors in the direction of the arrows.



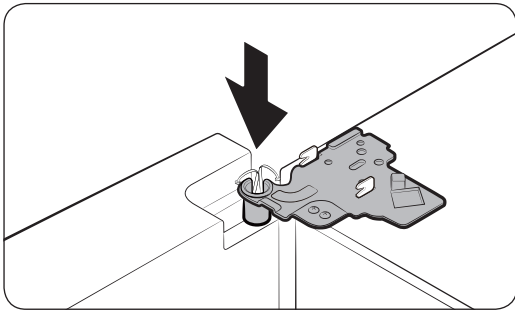
4. Attach the levelling foot cover using a Phillips head screwdriver. Be careful not to damage or step on the connectors.
5. Repeat the steps above for the other door.

Installation

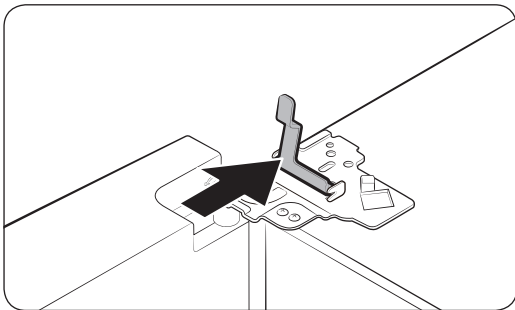
Re-attaching the fridge doors



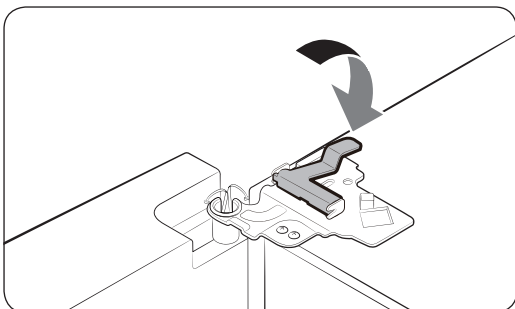
1. While holding the door open by more than 90 degrees, insert the shaft on the middle hinge into the hole on the bottom of the door.



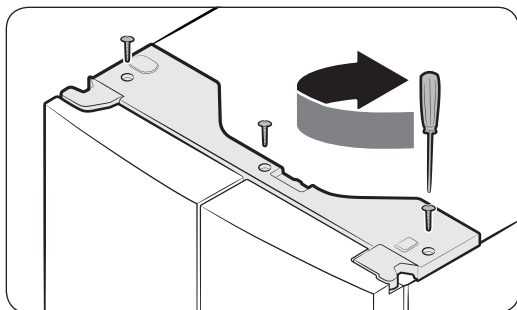
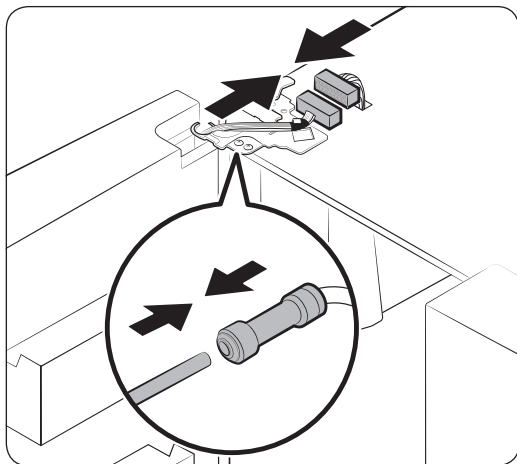
2. Put the top hinge into position on the top of the refrigerator, and then insert the hinge shaft into the top hole of the door. Make sure the wires from the door pass through the hole in the hinge shaft.



3. Insert the clamp in the direction of the arrow.



4. Push back the clamp as shown.



5. Connect the wire connectors.

⚠ CAUTION

- Make sure the wire connectors are connected properly. Otherwise, the display will not operate.

6. Connect the water tube.

⚠ CAUTION

- To prevent water leaks, make sure the red clips tighten the coupler properly.
- Keep the clips out of children's reach.

7. Repeat the above steps for the other door, except for Step 6. The right door does not have a water tube.

8. Attach the top cover with the front side first, and then press down on its back to get it into position. Then, tighten the screws (x3).

Installation

Step-by-step installation

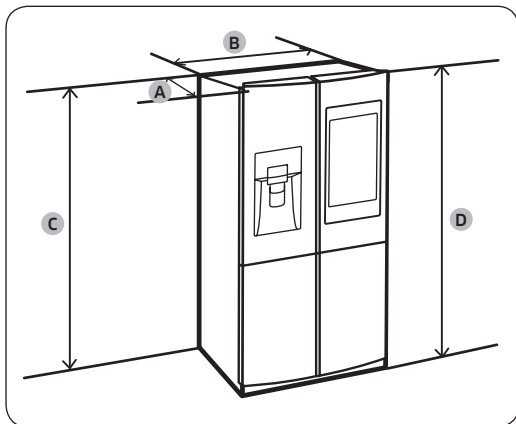
STEP 1 Select a site

The site must:

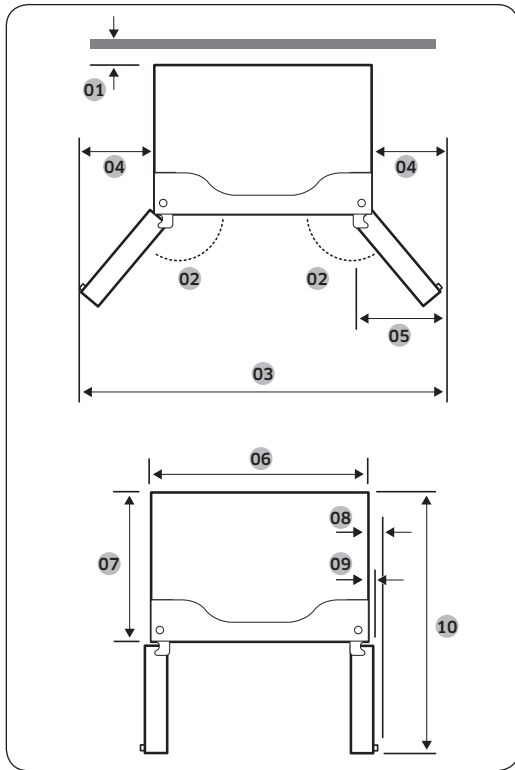
- Have a solid level surface without carpeting or flooring that may obstruct ventilation
- Be out of direct sunlight
- Have adequate room for opening and closing the door
- Be away from any heat source
- Provide room for maintenance and servicing
- Have a temperature range between 50 °F (10 °C) and 110 °F (43 °C)

Clearance

See the pictures and table below and on the next page for installation space requirements.



Model	RF22M*	RF28M*
Depth "A"	28 ⁷ / ₈ " (733 mm)	34 ¹ / ₄ " (871 mm)
Width "B"	35 ³ / ₄ " (908 mm)	35 ³ / ₄ " (908 mm)
Height "C"	70 ³ / ₄ " (1797 mm)	70 ³ / ₄ " (1797 mm)
Overall Height "D"	71 ⁷ / ₈ " (1825 mm)	71 ⁷ / ₈ " (1825 mm)



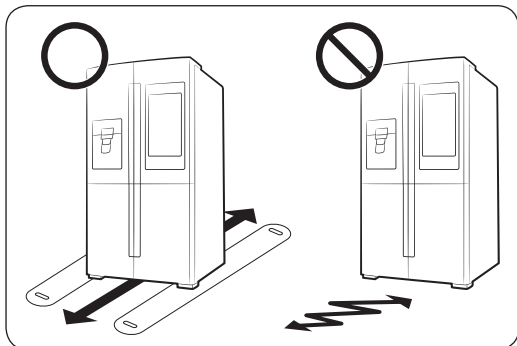
	RF22M*	RF28M*
01	2" (50 mm)	2" (50 mm)
02	125°	125°
03	59 5/8" (1515 mm)	59 5/8" (1515 mm)
04	11 7/8" (303 mm)	11 7/8" (303 mm)
05	12" (305 mm)	12" (305 mm)
06	35 3/4" (908 mm)	35 3/4" (908 mm)
07	24" (610 mm)	29 3/8" (748 mm)
08	2 3/4" (70 mm)	2 3/4" (70 mm)
09	1 3/4" (43 mm)	1 3/4" (43 mm)
10	42 5/8" (1083 mm)	48 1/8" (1221 mm)

NOTE

The measurements of your refrigerator may differ from those listed above, depending on the measuring method.

Installation

STEP 2 Flooring



- The surface of the installation location must support a fully loaded refrigerator.
- To protect the floor, put a large piece of cardboard under each leg of the refrigerator when you move it for installation.
- To protect the floor once the refrigerator is in its final position, do not move it unless necessary. If you have to move it, place thick paper or cloth such as an old carpet, along the movement path.

NOTE

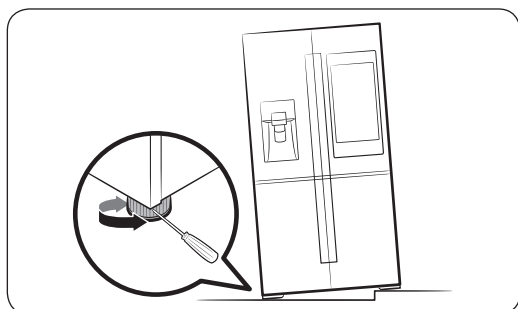
If the refrigerator cannot pass through entrance to your home or kitchen due to its size, see **Door removal for entrance** on page 18.

STEP 3 Adjust the levelling feet

CAUTION

- When installed, the refrigerator must be leveled on a flat, solid floor. Not leveling the refrigerator can cause damage to the refrigerator or physical injury.
- Levelling must be performed with the refrigerator empty. Make sure no food items are inside the refrigerator.
- For safety reasons, adjust the front side a little higher than the rear side.

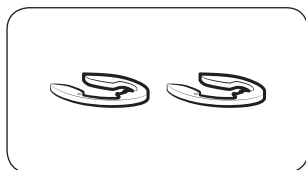
Level the refrigerator using the special screws (levellers) on the front legs. Use a flat-head screwdriver to turn the levellers.



- To adjust the height of the left side: Insert a flat-head screwdriver into the leveller of the left side front leg. Turn the leveller clockwise to raise or turn it counterclockwise to lower.
- To adjust the height of the right side: Insert a flat-head screwdriver into the leveller of the right side front leg. Turn the leveller clockwise to raise or turn it counterclockwise to lower.

Installation

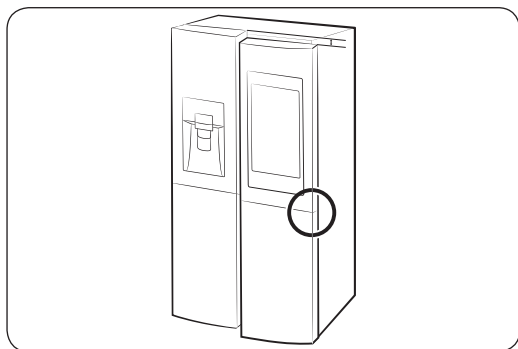
STEP 4 Adjust the door height as well as the door gap



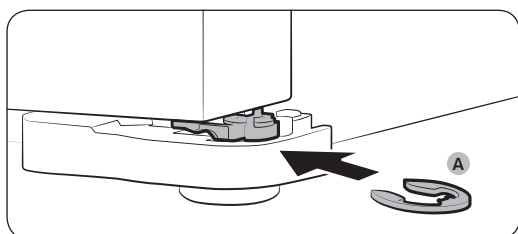
Snap ring

The height of a door can be adjusted using the provided snap rings, which come in 4 different sizes (1 mm, 1.5 mm, 2 mm, and 2.5 mm).

To adjust the height of a door



1. Check the height difference between the doors, and then raise and hold the lower door.

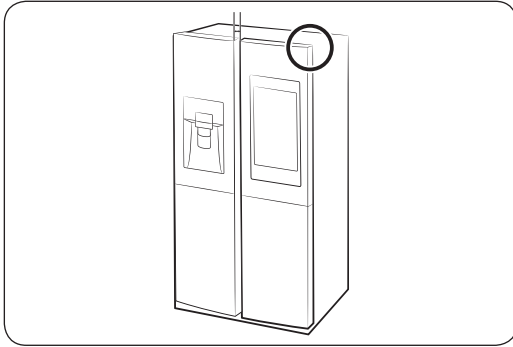


2. Insert a suitable-sized snap ring (A) between the door and the hinge as shown.

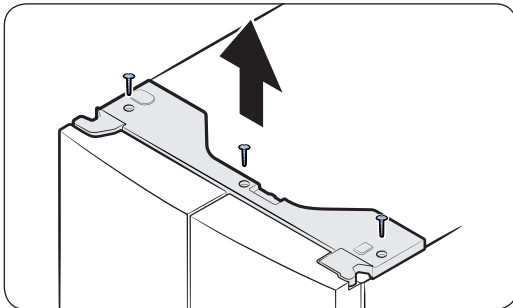
⚠ CAUTION

- Insert only one snap ring. If you insert two or more snap rings, the rings may slip out or make a rubbing noise.
- Keep the snap rings out of children's reach and keep them for future use.
- Do not raise the door too much. The door can contact and damage the top cover.

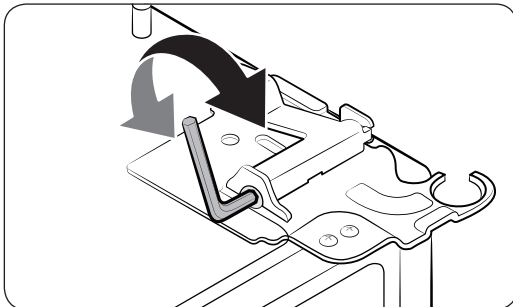
To correct the door gap



Door gaps can be corrected using the gap bolt on the top right corner of the refrigerator.



1. With the door closed, use a Phillips head screwdriver to remove the 6 screws in the **top cover**. Then, carefully remove the **top cover** along with the wire connectors.



2. Use a 4 mm **Allen wrench** (not provided) to correct the door gap between two doors.
 - To widen the gap, turn the gap bolt clockwise.
 - To narrow the gap, turn the gap bolt counterclockwise.
3. When done, reinsert the top cover, and then reinsert the screws that hold it in place. Tighten the screws.

CAUTION

The electrical connectors must be left intact during this process. Use caution so you don't tangle the connector wires or peel off the coating.

Installation

STEP 5 Connect the water dispenser line

A water dispenser with a filter is one of the helpful features on your new refrigerator. To help promote better health, the water filter removes unwanted particles from your water. However, it does not sterilize or destroy microorganisms. You may need to purchase a water purifying system to do that.

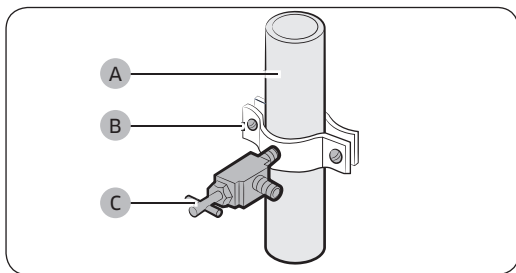
The water line also connects to the ice maker. For the ice maker to operate properly, a water pressure of 20-125 psi is required.

If the refrigerator is installed in an area with low water pressure (below 20 psi), you can install a booster pump to compensate for the low pressure.

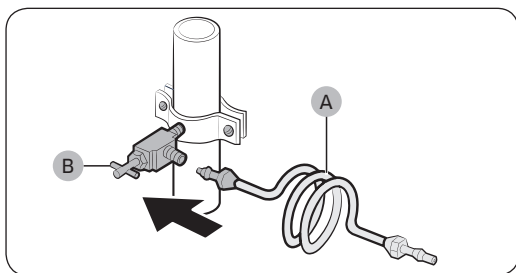
After you have connected the water line, make sure the water storage tank inside the refrigerator is properly filled. To do this, press the water dispenser lever until the water runs from the water outlet.

NOTE

- Water line installation kits are available at extra cost from your retailer. We recommend using a water line installation kit that contains copper tubing and a 6 mm (1/4") compression nut.
- Use the new hose-sets supplied with the appliance only. Do not re-use an old hose set.



1. Shut off the main water source.
2. Insert the pipe clamp (B) and the shut off valve (C) into the cold water line (A).

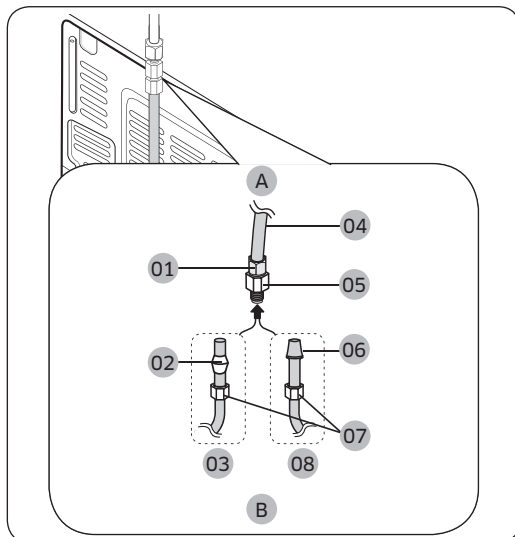


3. Connect the water line installation kit (A) to the shut off valve (B).

Connect the water supply line to the refrigerator

There are several items you must purchase to complete this connection. You may find these items sold as a kit at your local hardware store.

Copper Tubing	<ul style="list-style-type: none">• 1/4" copper tubing• 1/4" compression nut (1 pc)• Ferrule (2 pc)
Plastic Tubing	<ul style="list-style-type: none">• 1/4" plastic tubing → Molded end (Bulb)• 1/4" compression nut (1pc)



- A. Refrigerator
- B. Household water supply line
- 01 Compression Nut (1/4") (Assembled)
- 02 Ferrule (Not supplied)
- 03 Copper tubing (Not supplied)
- 04 Plastic Tubing (Assembled)
- 05 Compression Fitting (Assembled)
- 06 Molded end (Bulb)
- 07 Compression nut (B) (1/4") (Not supplied)
- 08 Plastic Tubing (A) (Not supplied)

1. Connect the household water line to the assembled compression fitting.
 - If you are using copper tubing, slip the **compression nut (B)** (not supplied) and **ferrule** (not supplied) on the copper tubing (not supplied) as shown.
 - If you are using plastic tubing (A), insert the molded end (Bulb) of the plastic tubing (A) into the compression fitting.

CAUTION

If you use plastic tubing, (A) do not use it without the molded end (Bulb).

2. Tighten the **compression nut (B)** onto the **compression fitting**. Do not over-tighten the **compression nut (B)**.
3. Turn the water on and check for any leakage. If you find water drops or leakage in the connection areas, turn off the main water supply. Check the connections and, if necessary, tighten.

Installation

4. Flush 1 gallon of water through the filter before drinking or using the water from the refrigerator. (Flush approximately 6 minutes.) To flush, press a large glass or cup against the water dispenser lever. Fill the glass, empty it, and then repeat.
5. After you turn on the refrigerator, let the ice maker make ice for 1 to 2 days. Over that period of time, throw out the first 1 or 2 buckets of ice the ice maker makes to ensure all impurities have been removed from the water line.

NOTE

Only connect the water line to a potable water source.

- If you have to repair or disassemble the water line, cut off $\frac{1}{4}$ " of the plastic tubing to make sure you get a snug, leak-free connection.
- You can test the water line quickly using a paper cup. Under normal conditions, the water dispenser can fill a 5 $\frac{3}{4}$ oz. (170 cc) cup in about 10 seconds.

STEP 6 Initial settings

After you complete the following steps, the refrigerator should be fully functional.

1. Plug the power cord into the wall socket to turn the refrigerator on.
2. Open the door, and check if the interior light lights up.
3. Set the temperature to the coldest setting, and then wait for about an hour. Then, the freezer will be slightly chilled, and the motor should be running smoothly.
4. Wait until the refrigerator reaches the set temperature. Now the refrigerator is ready to use.

STEP 7 Final check

When installation is complete, confirm that:

- The refrigerator is plugged into an electrical outlet and grounded properly.
- The refrigerator is installed on a flat, level surface with appropriate clearance between it and any walls or cabinets.
- The refrigerator is level and is sitting firmly on the floor.
- The door opens and closes freely, and the interior light turns on automatically when you open the door.

Operations

User interface

NOTE

- For detailed information about the refrigerator's functions, and apps, see the on-screen user manual available on the LCD display of your refrigerator.
- The content of apps and widgets and their design is subject to change. Support for apps and widgets may be discontinued without notice, depending on the content provider's policy.
- Children's use of the refrigerator's functions, apps, and services must be supervised by adults.
- The PANDORA apps are only available in the United States.

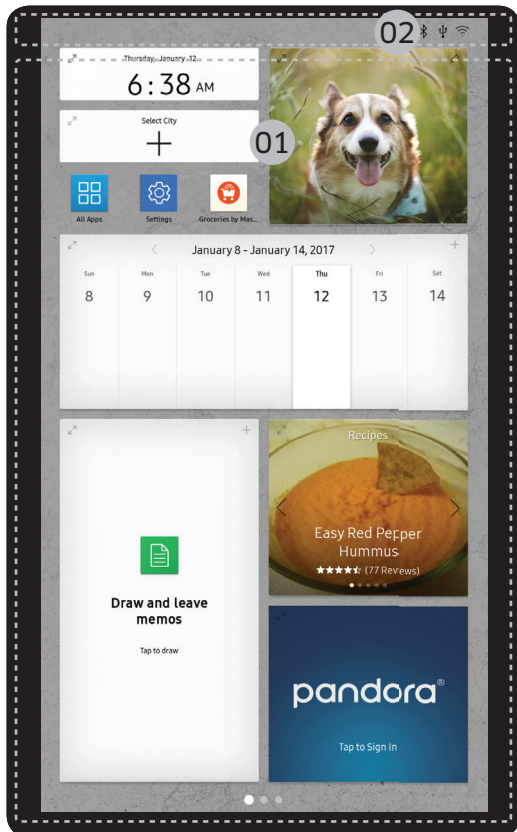


01 Home screen

02 Task bar

Operations

01 Home screen



01 Apps & Widgets

- Tap a desired app or widget to launch it.
- Tap and hold an app or widget to enter Edit mode. A grid appears. In Edit mode, you can drag and drop an app or widget to a new position on the grid. When you move the app or widget to a new grid location, the location turns blue if it is available. If it is not available, it turns red.
- You can add an app or widget that has been removed from the All Apps list.

02 Status bar

- **Bluetooth** (⌘): Indicates Bluetooth connection status.
- **USB** (ψ): Indicates USB connection status.
- **Remote Management** (Ⓜ): Turns on when Remote Management is enabled and running.

NOTE

The refrigerator supports USB memory that is formatted in the FAT32 or exFAT file systems. NTFS is not supported. Be sure to convert NTFS to FAT32 or exFAT before use.

- **Network** (⊡): Indicates network connection status in 5 levels (Off, 1-4).

02 Task bar

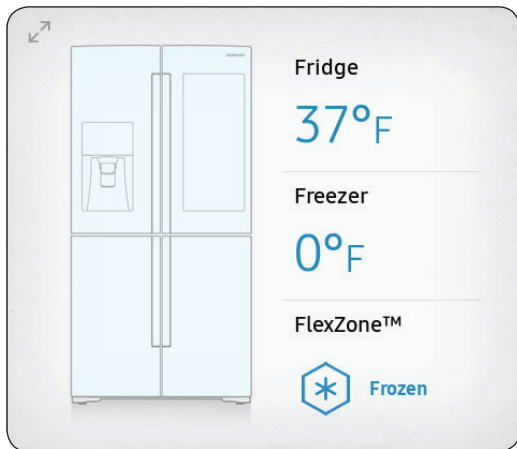


01 Microphone	Tap to turn on or turn off the voice recognition function. The microphone icon turns red when it is turned off.
02 Menu	Tap to display the menus available.
03 Home	<ul style="list-style-type: none">• Tap to open the Home screen.• Tap and hold to open the Task Manager. See the Task Manager section for details.
04 Return	Tap to return to the previous screen.
05 Notification	Tap to display the Quick Panel.

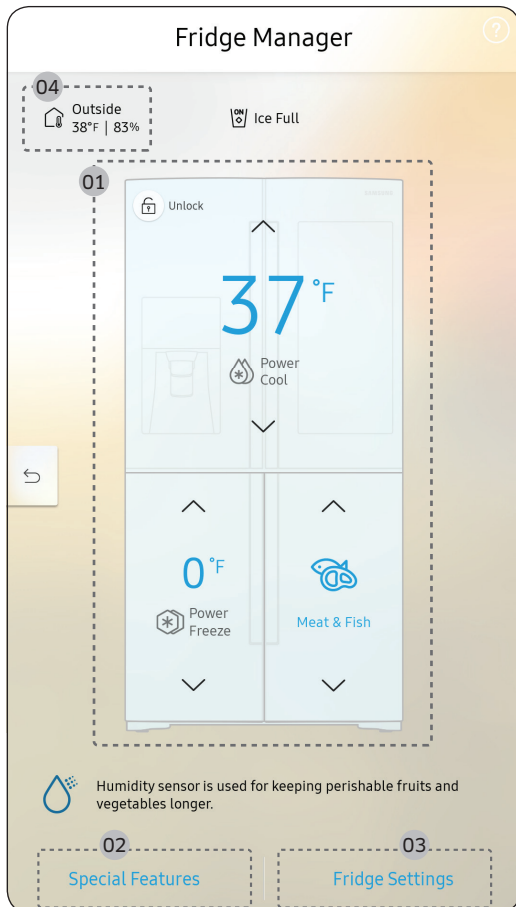
Operations

Fridge Manager

To access Fridge Manager, swipe the Home screen to the left, and then tap the **Fridge Manager** widget.



- On the Fridge Manager widget, the current fridge and freezer temperatures as well as active special functions are displayed.
- For detailed settings, tap the widget to open the Fridge Manager.



The Fridge Manager is a graphical representation of your refrigerator. The top half represents the refrigerator compartment, the bottom left the freezer compartment, and the bottom right the FlexZone. The temperature or mode settings for each are displayed over each section.

Fridge Manager At a Glance

01 Temperature

Change the set temperature in the fridge, freezer, and FlexZone. You can also turn on and turn off the refrigerator's Power Cool function and the freezer's Power Freeze function.

- Power Freeze speeds up the freezing process at maximum fan speed. The freezer keeps running at full speed for several hours and then returns to the previous temperature.
- To freeze large amounts of food, activate Power Freeze at least 20 hours before putting food in the freezer.

NOTE

Using Power Freeze increases power consumption. Make sure you turn it off so the freezer returns to its previous temperature if you do not need it any longer.

02 Special Features

View a short explanation of some of the refrigerator's special features.

03 Fridge Settings

Change many of the fridge's settings including settings for ice making, the door alarm, and the temperature units (°F or °C). See the next page for details.

04 External Conditions

Displays the external (ambient) temperature and humidity.


Operations

 **NOTE**

The displayed conditions may differ from the actual temperature and humidity.

 **NOTE**

Also displayed is the **Ice Off** (ice making off) indicator at the top, center. When the indicator displays **Ice Off**, the refrigerator's ice maker is turned off.

Ice Maker	Turns the icemaker on and off. Tap and drag the button to turn on or off. Note that if the ice bucket is full of ice, the refrigerator will not start making ice when you drag the button to On. Instead, it displays the Ice Making Off indicator on the main screen.
Dispenser Lock	Turns the ice and water dispensers on and off. Tap and drag the button to turn on or off.
Door Alarm	The door alarm sounds if you leave the door open. Tap and drag the button to turn on or off.
Temp. Unit	Switch the temperature scale between Celsius and Fahrenheit. Touch °F or °C to change the scale.
Water Filter	Provides a water filter replacement tutorial and lets you reset the water filter replacement indicator. Tap to open.  NOTE After installing the water filter, tap Water Filter , and then tap RESET . Tapping RESET re-initializes the function that measures the time remaining until the water filter needs to be replaced again.
Self Check	Self Check is a self diagnoses function. Tap to open. Tap START to run.
Demand Response	Works with the Smart Grid energy saving manager. Tap to open. Tap and drag the button to turn on or off. See the Smart Grid section in this manual for more information.
Cooling Off	Cooling Off mode (also called Shop mode), is designed for use by retailers when they are displaying refrigerators on the shop floor. In Cooling Off mode, the refrigerator's fan motor and lights work normally, but the compressors do not run, and the refrigerator and freezer do not get cold. If Cooling Off is turned on, all cooling controls will turn to OFF on the Fridge Manager. Tap and drag the button to turn on or off.

Settings

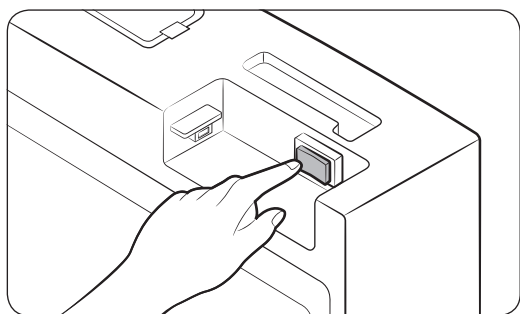
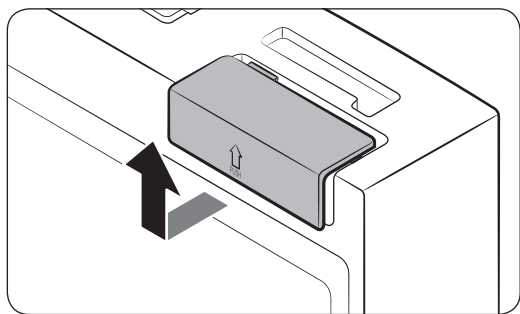
Display	<ul style="list-style-type: none"> You can set the screen brightness, wallpapers, auto wake-up, motion detector, and theme, duration and start time of the screen saver.
Sound	<ul style="list-style-type: none"> Set the volume and equalizer and turn on or turn off the touch sound.
Wi-Fi	<ul style="list-style-type: none"> Turn on or turn off a Wi-Fi connection. The current Wi-Fi network is listed first in the access point (AP) list.
Bluetooth	<ul style="list-style-type: none"> Up to 4 recently paired Bluetooth devices are listed. To add a new device when 4 paired devices are listed, first unpair a paired device from the device list. Available devices are Bluetooth-enabled headsets, headphones, and speakers.
Voice	<ul style="list-style-type: none"> Set the language of the Voice function and turn on or turn off voice feedback and voice wakeup.
Profiles	<ul style="list-style-type: none"> You can add, edit, or delete a profile.
Parental Controls	<ul style="list-style-type: none"> Enable or disable restrictions on Family Hub features and apps.
Language	<ul style="list-style-type: none"> Select a preferred language. Available languages depend on the sales region.
Date and Time	<ul style="list-style-type: none"> Make sure the Auto update function is on with a proper Wi-Fi network connection. Open the fridge door and locate the display reset button on the inner side of the door. Press the button and press again to reset the display. Then, the date and time will be synced by the time server. You can change the time zone through the Time zone menu.
About Device	<ul style="list-style-type: none"> Make sure the Software Update function is on with a proper Wi-Fi network connection. When updates are available, the Update button becomes active. When updates are complete, the refrigerator restarts automatically. Legal information displays the Open Source License Agreement. Tap the list item to open the Open Source Announcement.
Easy Connection	<ul style="list-style-type: none"> Easy Connection can be used with Samsung Smartphone apps, and allows you to connect your device to the same home Wi-Fi network that your smartphone is connected to.

Operations

Device Authentication	<ul style="list-style-type: none"> • Device Authentication can be used with Samsung Smart TV apps where the privacy information on the refrigerator can be shared to the TV. • Availability of this function depends on the device model.
Clean screen mode	<ul style="list-style-type: none"> • Turn on so you can clean the screen without activating any apps.
Accessibility	<ul style="list-style-type: none"> • Set to turn on or off the screen reader function for blind and low-vision users.
Online Manual	<ul style="list-style-type: none"> • The online manual will walk you through various menus and apps that the refrigerator provides directly on the display.
Factory Reset	<ul style="list-style-type: none"> • Tap Reset to restart the refrigerator in Factory Data Reset mode. All user data will be removed permanently. Data that will be removed includes account information, memos, photos, and user settings. <p>⚠ CAUTION Once factory reset is complete, no user data can be recovered.</p>
Remote Management	<ul style="list-style-type: none"> • Use Remote Management to allow a service representative to remotely diagnose problems and provide solutions. • Remote Management requires a Wi-Fi connection. • The Remote Management menu does not appear on models that do not support Remote Management.

Display reset (applicable models only)

If the display is not working correctly, try resetting the display. This may resolve the problem.



1. Open the right-side fridge door and locate the switch cover on the top right corner of the door.
2. Push up the cover to reveal the power switch.
3. Turn the switch off, and then turn it on again.
4. Reinsert the switch cover. You will hear a click when the cover is in place.

Operations

Samsung Connect

Installation

Visit the Google Play Store, Galaxy Apps, or Apple App Store and search for “Samsung Connect”. Download and install the Samsung Connect app provided by Samsung Electronics to your smart device.

NOTE

- The Samsung Connect app is designed for Android 6.0 (Marshmallow) or higher, or iOS 9.0 or higher, and is optimized for Samsung smartphones (Galaxy S and Galaxy Note series).
- For improved performance, the Samsung Connect app is subject to change without notice or discontinued support according to the manufacturer's policy.
- Recommended encryption systems include WPA/TKIP and WPA2/AES. Any newer or non-standard Wi-Fi authentication protocols are not supported.
- Wireless networks may be affected by the surrounding wireless communication environment.
- If your Internet service provider has registered the MAC address of your PC or modem for identification, your Samsung Smart Refrigerator may fail to connect to the Internet. If this happens, contact your Internet service provider for technical assistance.
- The firewall settings of your network system may prevent your Samsung Smart Refrigerator from accessing the Internet. Contact your Internet service provider for technical assistance. If this symptom continues, contact a local Samsung service center or retailer.
- To configure the wireless access point (AP) settings, see the user manual of the AP (router).
- Samsung Smart Refrigerators support both Wi-Fi 2.4 GHz with IEEE 802.11 b/g/n and Soft-AP protocols. (IEEE 802.11 n is recommended.)
- Unauthorized Wi-Fi wireless routers may fail to connect to applicable Samsung Smart Refrigerators.



Samsung account

You are required to register your Samsung account to use the app. If you don't have a Samsung account, follow the app's onscreen instructions to create a free Samsung account.

Getting started

Turn on the device you want to connect, open the Samsung Connect app on your phone, then follow the instructions below.

If a pop-up appears saying that a new device has been found, tap **ADD NOW**.

If a pop-up doesn't appear, tap the **+** button, then select the device you want to connect from the list of available devices.

If your device isn't in the list of available devices, add the device manually by selecting the device type, and then selecting the specific device model.

Follow the instructions for setting up your device.

1. Sign in to your Samsung account (if not already signed in).
2. Add the device.
3. Check the connection.
4. Find and connect to a Wi-Fi network.
5. Register the device.
6. Setup is complete. Your device will now appear as a card on the My devices screen.

Refrigerator app

Integrated control

You can monitor and control your refrigerator at home and on the go.

- Tap the **refrigerator** icon in Samsung Connect to open the Refrigerator page.
- Check the operation status or notifications related to your refrigerator, and then change options or settings if necessary.

NOTE

Some options or settings of the refrigerator may not be available for remote control.



Operations

Category	Item	Description
Monitoring	Fridge temperature	Displays the current temperature setting of the fridge.
	Freezer temperature	Displays the current temperature setting of the freezer.
	FlexZone™ settings	Displays the settings of the FlexZone™.
	Diagnosis	Detects abnormal operations of the refrigerator.
	Energy monitoring	Checks the accumulated power consumption of the refrigerator for the last 180 days.
Functions	Ice making	You can turn the ice making function on or off, and check the current settings of the function.
		You can also check the status and progress of ice making.
	Power Cool	You can turn Power Cool on or off, and check the current settings.
	Power Freeze	You can turn Power Freeze on or off, and check the current settings.
Alarms	Abnormally high temperature	This alarm is triggered when the fridge, the freezer, or the FlexZone™ has abnormally high temperatures.
	Door opening	This alarm is triggered if the fridge or freezer door or the FlexZone™ door is left open for a specific time.
	Water filter replacement	This alarm reminds you that the water filter must be replaced.
Inside Image		You can view the inside of the refrigerator and you can know when to replace food items.
Family Hub App Link		You can connect to the App Store and download the Refrigerator app.



SMART GRID Function (Demand Response)

When the refrigerator operates in SMART GRID (Demand Response) mode, the Energy Management Refrigerator function can control energy usage or delay the operation of some functions to save money when energy prices or demand are the highest.

NOTE

- You can deactivate the SMART GRID (Demand Response) function at any time using the Override On/Off function.
- To use the SMART GRID (Demand Response) function, you need a separate contract with your electric utility company.

In addition, to use the Smart Grid (Demand Response) function, you must register for the service with your electric company. The company must have an EMS (Energy Management System) that supports SEP (Smart Energy profile).

Using the SMART GRID (Demand Response) Function

This feature monitors energy prices and demand information from your utility company and sends notifications to the refrigerator to run high energy consuming tasks during off-peak times when electricity costs and demand are lower.

If the refrigerator receives a control signal from the utility company, the refrigerator will display the **DAL** (L3) ~ **TALR** (L4) levels on the refrigerator display and control the power consumption according to the level.

Exception condition: The **DAL** and **TALR** control signals from a utility company work as long as product performance is maintained.

If the refrigerator receives the SMART GRID (Demand Response) signal (**DAL** or **TALR**), the refrigerator will operate in Delay Appliance Load or Temporary Appliance Load Reduction mode.

- Delay Appliance Load (L3): The refrigerator responds to a **DAL** signal by providing a moderate load reduction for the duration of the delay period. This function controls functions that consume a lot of energy such as adjusting the Cooling system, running the defrost cycle, and making ice.
 - **DAL** mode is automatically deactivated after it lasts for the amount of time stipulated by the **DAL** signal (max. 4.5 hours) or when the Override function is turned on.



Operations

- Temporary Appliance Load Reduction (L4): The refrigerator responds to a **TALR** signal by aggressively reducing the load for a short time period. This function reduces energy consumption by stopping the compressor and controlling the functions that consume a lot of energy such as the defrost cycle and making ice.
 - **TALR (L4)** mode is automatically deactivated after it lasts for the received duration (max. 15 minutes), or when the Override function is turned on. The mode is immediately deactivated and the refrigerator returns to the normal state when the door is opened or closed, or the dispenser is used.

To check the MAC address

1. Tap the **Settings** icon on the Home screen.
2. Scroll down to and open **About Device**.
3. The screen displays (among others) the Wi-Fi MAC address.

Override Mode

When you want the refrigerator to ignore the SMART GRID (Demand Response) signal from the utility company, you can activate OVERRIDE mode.

When you activate OVERRIDE mode, the refrigerator ignores the SMART GRID (Demand Response) signal and is not controlled by the utility company.

Activating and deactivating Override mode

1. Tap the **Fridge Manager** icon.
2. On the bottom of the Fridge Manager screen, tap the **Fridge Settings** icon.
3. Tap **Demand Response**.
4. Slide the **DAL/TALR override** button to the **ON** or **OFF** position.

NOTE

- Alternatively, you can activate or deactivate OVERRIDE mode using the Samsung Connect app and the Energy Management function. See the next page.

Using the Energy Management Function

The Energy Management function enables you to control and monitor your Energy Management refrigerator using the Samsung Connect app for your convenience.

NOTE

- To use the Energy Management refrigerator functions, you have to install the corresponding app first.
1. Operational Status
 - You can check the DR and Override status.
 2. Energy Consumption Reporting
 - Shows the accumulated power consumption. Power consumption data is updated every 5 minutes.

NOTE

The energy consumption report may differ from the power consumption specifications of the product depending on the operating environment and the quantity and type of stored food.

3. Delay Defrost Capability

- The Delay Defrost Capability function saves energy by delaying the defrost operation to a time specified by the user. You can configure the time, and this function will save energy during the specified period in a 24 hour cycle. If the time is not set, the function works with the default time settings. The default time settings are below:
 - 6 am to 10 am: November 1st to April 30th.
 - 3 pm to 7 pm: May 1st to October 31st.

To change the time setting for the Delay Defrost Capability

You can change the time setting for the Delay Defrost Capability on the app.

Operations

Provision for Open Access to the Connected Product Requirements

1. SGIP Open Standards (Smart Energy Profile 2.0 - <http://www.csep.org/>)
 - Energy Consumption Reporting
 - Demand Response
2. Samsung OPEN API
 - Operational Status, User Settings & Messages
 - ICE Maker Status: GET /icemaker/status/vs/0
 - Door Open Alarm: GET /doors/vs/0
 - DR Status: GET /drlc/vs/0
 - Delay Defrost Capability
 - Set Schedule of the Defrost Delay: POST /defrost/reservation/vs/0?op=add
 - Get Schedule of the Defrost Delay : GET /defrost/reservation/vs/0
 - Delete Schedule of the Defrost Delay: POST /defrost/reservation/vs/0?op=remove
 - Defrost Delay On/OFF: POST /defrost/delay/vs/0



Recommendations for voice recognition

Around the 'MIC' marked area of the refrigerator's display is a built-in microphone.

- Speak loud and clear towards the built-in microphone within 1 m from the refrigerator's display.
- Voice recognition may not be triggered or enabled at distances over 1 m or with low voices.
- Speak clearly at a regular pace. Reduce ambient noises, such as from the living-room TV.

Samsung Family Hub

Installation

Visit the Google Play Store, Galaxy Apps, or Apple App Store and search for “Samsung Family Hub”. Download and install the Samsung Family Hub app provided by Samsung Electronics to your smart device.

NOTE

- The Samsung Family Hub app is designed for Android 4.4 (KitKat) or higher, or iOS 8.0 or higher, and is optimized for Samsung smartphones (Galaxy S and Galaxy Note series).
- For improved performance, the Samsung Family Hub app is subject to change without notice or support may be discontinued according to the manufacturer's policy.
- Wireless networks may be affected by the surrounding wireless communication environment.
- If your Internet service provider has registered the MAC address of your PC or modem for identification, your Samsung Smart Refrigerator may fail to connect to the Internet. If this happens, contact your Internet service provider for technical assistance.
- The firewall settings of your network system may prevent your Samsung Smart Refrigerator from accessing the Internet. Contact your Internet service provider for technical assistance. If this symptom continues, contact a local Samsung service center or retailer.



Operations

Samsung account

You are required to register your Samsung account to use the app. If you don't have a Samsung account, follow the app's onscreen instructions to create a free Samsung account.

NOTE

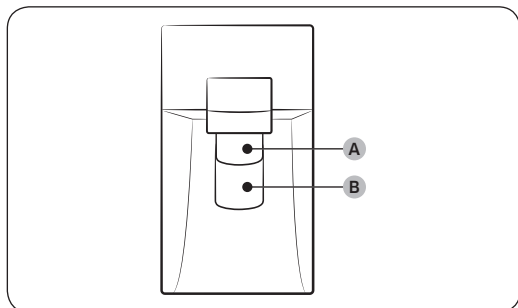
To connect your smartphone and the refrigerator, register your Samsung account in **Settings → Profiles**.

Item	Description
Calendar	You can share your schedule with your family.
To Do	You can create and edit a to-do list to your needs.
Memo	You can create and edit a memo to specific users.
Whiteboard	You can send White Board contents created from the refrigerator to your smartphone or vice versa.
Photo	You can send photos from your smartphone to the refrigerator.
View Inside	You can check the inner view of the refrigerator, and use different labels to register item-specific storage periods and keep track of them for managerial purposes.
Shopping List	You can create and edit a shopping list to your needs.

Special features

Water dispenser

With the water dispenser, you can dispense water without opening the fridge door.



The water dispenser offers 3 options: chilled water, cubed ice, and crushed ice. If you do not want to dispense ice, simply press the **water lever (B)**.

With the Ice Maker enabled,

1. Press to select an ice type.
2. Put a water glass on the **ice lever (A)** and push it. Ice is dispensed from the dispenser.
3. If you want water, put the glass on the **water lever (B)** and push it. Water is dispensed from the dispenser.

NOTE

- To get ice and water, push the **ice lever (A)** first for ice, then move your glass down and press the **water lever (B)** for water.
- If you push both levers at once, only the first pushed lever operates.
- To prevent spills, wait 1 second before removing the glass after dispensing.
- Make sure the glass is in line with the dispenser to prevent the dispensed water from spilling out.
- If you do not use the water dispenser for 2-3 days, the dispensed water may have an abnormal smell or taste. This is not a system failure. Discard the first 1-2 glasses of water.

Operations

Ice maker

The refrigerator has a built-in ice maker that automatically dispenses ice so that you can enjoy filtered water with cubed or crushed ice.

Ice making

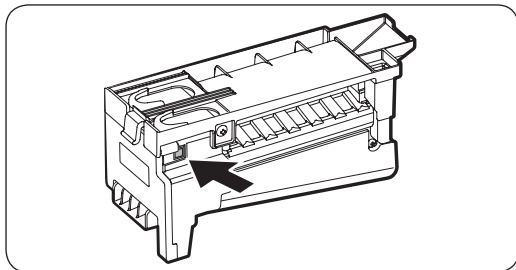
After you have installed your refrigerator and plugged it in, follow these instructions to ensure proper ice making and to keep the ice bucket full of ice:

1. Let the refrigerator run at least 24 hours without dispensing ice for optimal performance.
2. Dispense the first 4 to 6 ice cubes into a glass.
3. Wait another 8 hours and dispense another 4 to 6 ice cubes.
4. Then, wait another 16 hours and dispense the first glass-full of ice.

NOTE

- If you consume all the ice at once, you must wait 8 hours before dispensing the first 4 to 6 cubes. This ensures that the ice bucket is filled with ice properly.
- Ice cubes generated rapidly may look white, which is normal.

Diagnosis



If ice does not dispense, first check the ice maker.

To check the ice maker

1. Press **Test** on the side of the ice maker. You will hear a chime (ding-dong) when you press the button.
2. You will hear another chime if the ice maker is operating properly.

CAUTION

- If the ice making chime rings repeatedly, contact the waterline installer or a local Samsung service center.
- Do not press **Test** repeatedly after the ice tray is filled with ice or water. Water may overflow or ice may jam.
- Do not put food in the ice bucket. The frozen food may damage the ice maker, especially when you open or close the door.
- When the refrigerator recovers power after a power failure, the ice bucket may contain a mix of melted and jammed ice cubes, which can prevent the ice maker from working properly. To prevent this, make sure to empty the ice bucket before using the ice maker again.

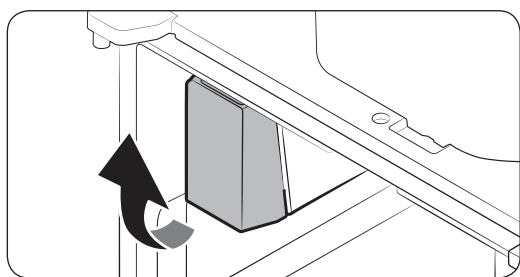
- Do not put fingers or any objects into the dispenser outlet or the ice maker. This can cause physical injury or property damage.
- When reinserting the ice maker tray, make sure that the tray is properly centered at the entrance. Otherwise, the tray can get stuck.

Ice Maker Off

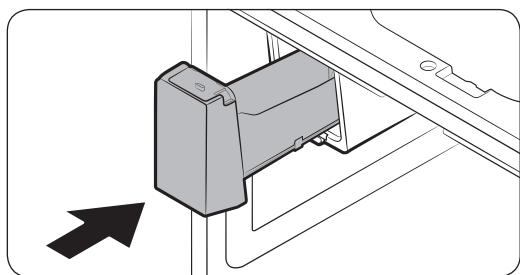
To disable the icemaker, tap **Fridge Manager** > **Fridge Settings** > **Ice Making** on the Home screen, and then select **Off**. Make sure to empty the ice bucket.

Remaining ice cubes may clump together, making it difficult to remove them.

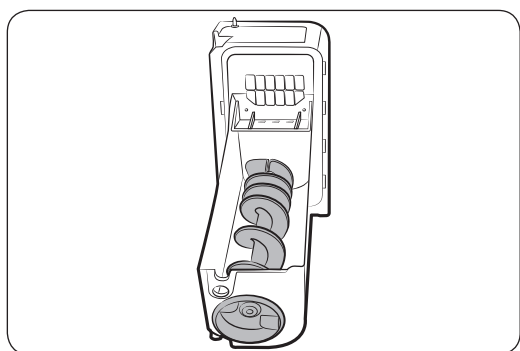
To remove the ice bucket



1. Hold the bottom of the ice bucket with one hand and hold the side with the other hand.
2. Gently lift it up and pull out.



3. Remove the remaining ice cubes, and then put the ice bucket back into place.



If the bucket does not fit in, turn the helix screw 90 degrees, and then try again.

NOTE

- Removal of the ice bucket does not affect the thermal and mechanical performance of the refrigerator.

Operations

Water clouding

Water supplied to the refrigerator flows through a core alkaline filter. During this filtering process, the water pressure of the water increases and the water becomes saturated with oxygen and nitrogen. This causes the water to look misty or cloudy temporarily when dispensed. This is normal and the water will look clear after a few seconds.

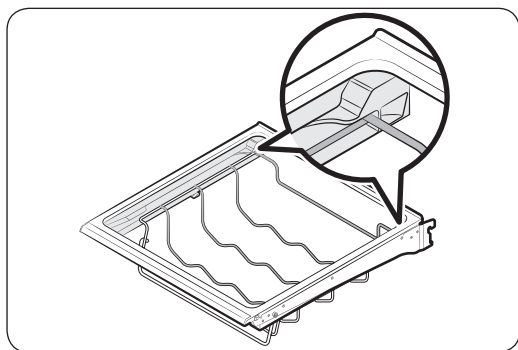
Wine Rack

The refrigerator ships with a wine rack, which can be positioned in one of 3 positions: under the shelf, in the partition guide, or on top of the sliding shelf of the FlexZone. The position or positions available to you depends on your model.

CAUTION

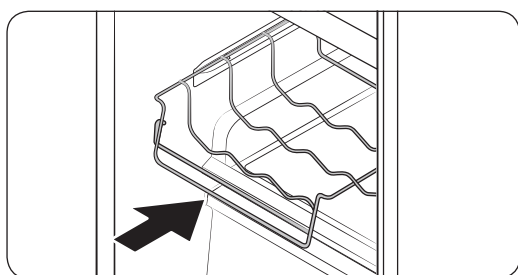
When you remove or insert the wine rack, make sure that the wine rack is empty.

Under the shelf



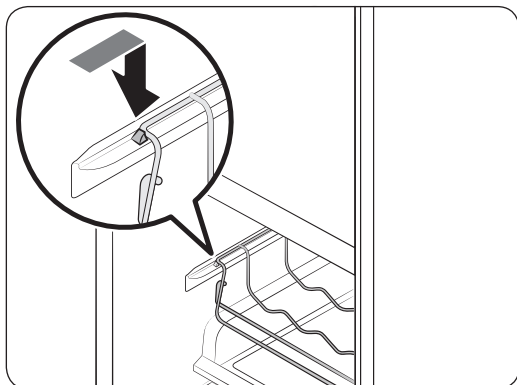
Insert the wine rack under the shelf of the fridge. Make sure to insert it all the way to the end as shown in the figure.

In the partition guide

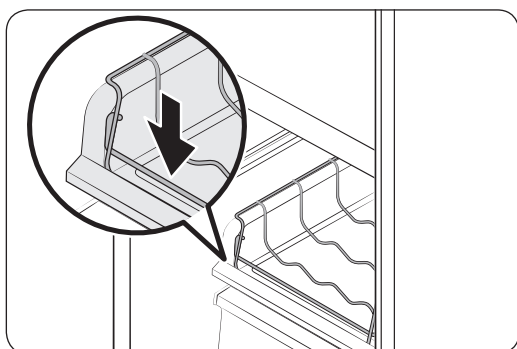


Insert the wine rack in the partition guide of the FlexZone.

- Make sure the front of the wine rack fits in the partition guide on the inner left-hand side of the FlexZone.
- Set the temperature of the FlexZone to **White Wine**.



On the sliding shelf



Insert the wine rack on top of the sliding shelf of the FlexZone, which is normally below the partition guide.

- Set the temperature of the FlexZone to **White Wine**.

! CAUTION

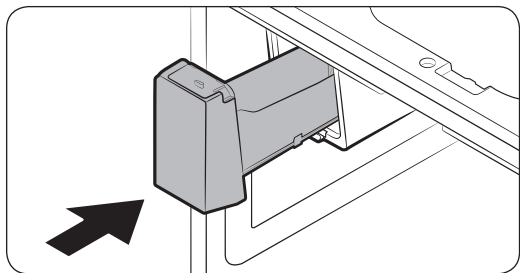
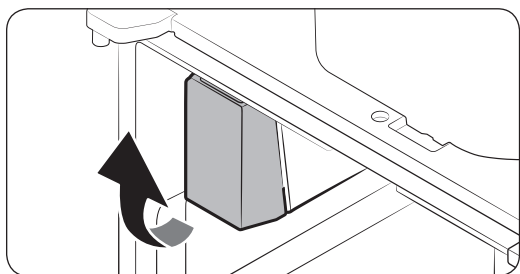
- Do not store wine bottles in the freezer. The bottles can freeze and break, causing physical injury.
- Do not store wine bottles in two rows. The bottles may fall, causing physical injury.
- Do not store wine bottles taller than 13 in (330 mm) in height. The bottles may break when you close the door, causing physical injury.

Maintenance

Handling and care

Ice bucket

If you do not dispense ice for an extended period, ice may form clumps inside the bucket. If this happens, remove and empty the ice bucket.



1. To remove the ice bucket, gently lift it up, and then pull it out slowly while holding the bottom of the bucket with one hand and the side with the other hand.
2. Empty the bucket.
3. When done, put the bucket back into position. If the bucket does not fit in, turn the helix screw 90 degrees, and then try again.

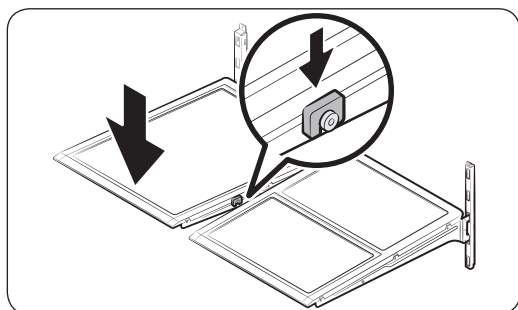
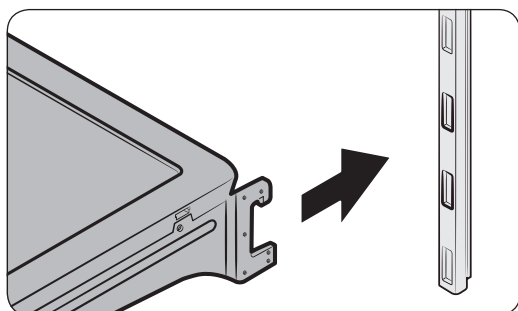
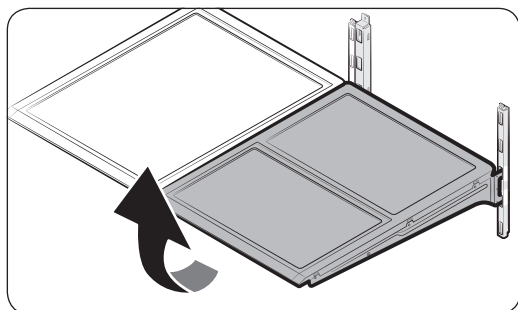
CAUTION

- Do not apply excessive force to the bucket cover. The cover may break.
- Do not forcefully close the door. Water may spill over the ice maker.
- To prevent injury, make sure to clean up any ice or water that has fallen on the floor.
- To prevent accidents or injury, do not let children play with the water dispenser or the ice maker.
- Do not put your hand or an object into the ice chute. This may cause physical injury or product damage.
- Use only the provided ice bucket. Third-party ice buckets may cause a system failure.
- Use only potable water that is connected to the water supply line.

NOTE

- The water pressure required for ice making is between 20 psi and 125 psi.
- Noise coming from the ice maker as it produces ice during the ice making process is normal.
- While the door is open, neither the ice maker nor the water dispenser operates.

Tempered glass shelves (fridge)



- To remove a shelf, fully open the corresponding door. Hold the front of the shelf, and then gently lift up and slide out.

- To reinsert, hold the shelf at an angle so the front is higher than the back, and then insert the top hook into the top shelf notch. Then, lower the shelf and insert the bottom shelf hook into the bottom shelf notch.

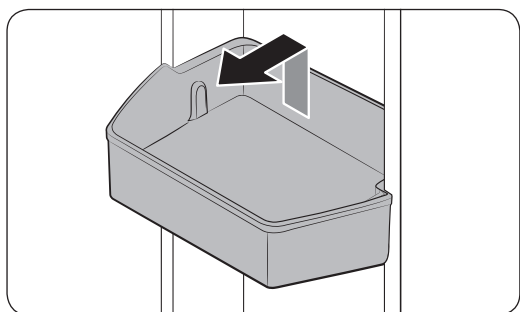
CAUTION

- The tempered glass shelves are heavy. Use caution when removing them.
- The shelf must be inserted correctly. Do not insert upside down.
- Glass containers may scratch the surface of glass shelves.

Maintenance

Door bins

The top door bin section has a marked line to ensure easy removal and proper reinsertion.

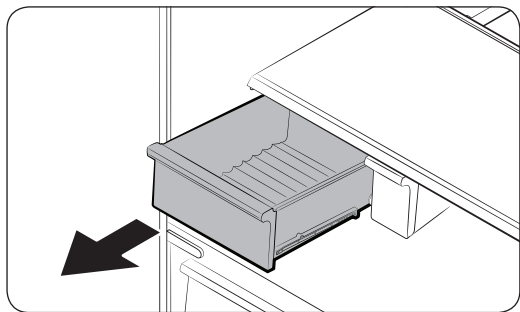


Lift up the door bin, and then pull out straight.

CAUTION

Do not allow children to play with the bins. Sharp-edged corners may cause injury.

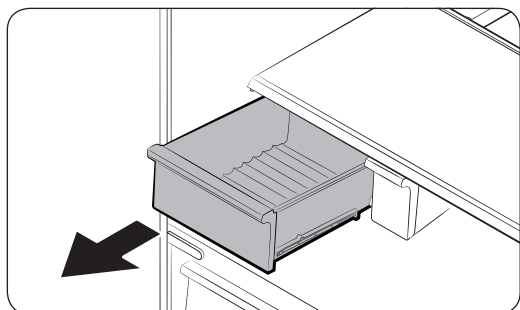
Vegetable & fruit drawers (EZ fresh zone)



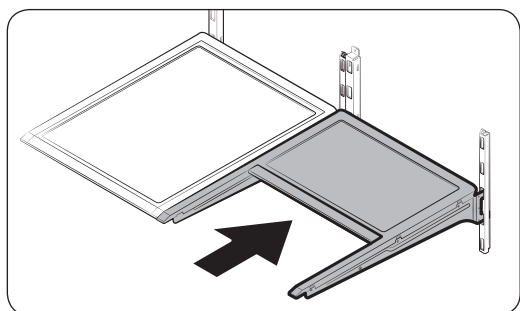
Gently lift up the front of the drawer and slide out.

We recommend that you remove the door bins before removing the drawer. This is to prevent damage to the door bins.

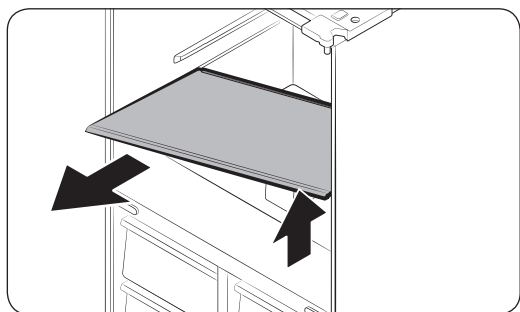
Vegetable shelf



1. Slide out the left-side vegetable drawer.



2. Slide in the right-side foldable shelf.



3. While supporting the vegetable shelf with one hand, slide it out with the other hand.

NOTE

To use the space that is opened up after removing the foldable shelf, take out the vegetable shelf.

To reinsert, follow the steps above in the reverse order.

Ice bucket

To remove the ice bucket, see the Maintenance section on page 58.

Maintenance

Cleaning

Interior and exterior

⚠ WARNING

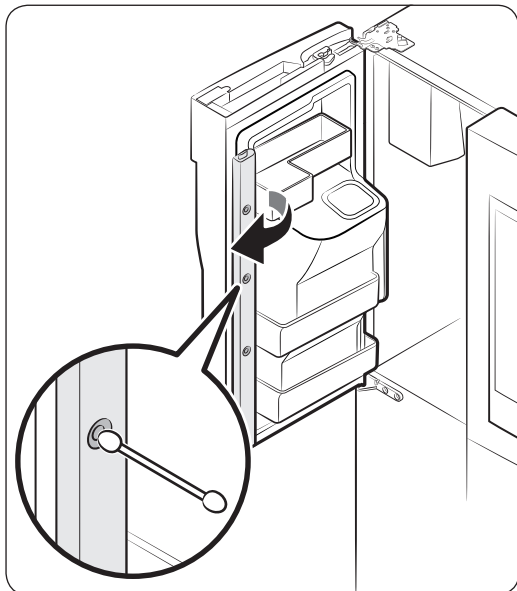
- Do not use benzene, thinner, home/car detergent, or Clorox™ to clean the refrigerator. They may damage the surface of the refrigerator or cause a fire.
- Do not spray water onto the refrigerator. This may cause electric shock.
- Do not put fingers or any objects into the dispenser outlet.

Regularly use a dry cloth to remove all foreign substances such as dust or water from the power plug terminals and contact points.

To clean the refrigerator

1. Unplug the power cord.
2. Use a moistened, soft, lint-free cloth or paper towel to clean the refrigerator's interior and exterior.
3. When done, use a dry cloth or paper towel to dry well.
4. Plug in the power cord.

Inner-view camera



NOTE


Use a cotton swab or microfiber cloth to clean the camera on the left-side door of the fridge.

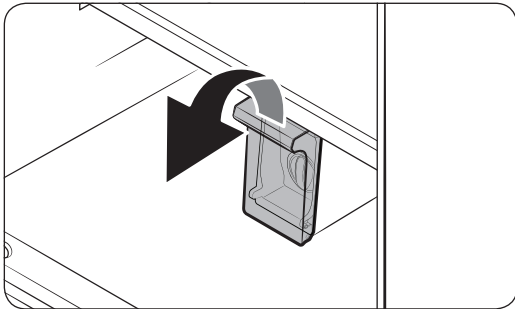
Replacement

Water filter

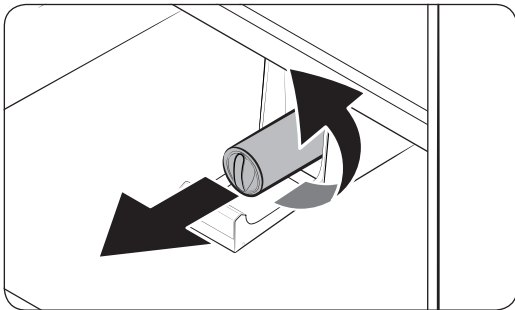
WARNING

- Do not use third-party water filters. Use only Samsung-provided or -approved filters.
- Unapproved filters may leak and damage the refrigerator, causing electric shock. Samsung is not responsible for any damage that may occur from use of third-party water filters.

The filter indicator () turns red to let you know it is time to replace the water filter. Before replacing the filter, make sure the water supply line is shut off.

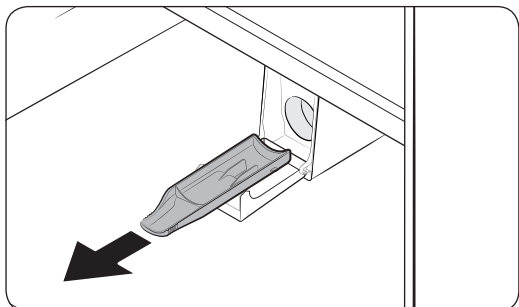


1. Open the filter cover.
 - Some models may not have a filter cover. If your model does not, skip this step.



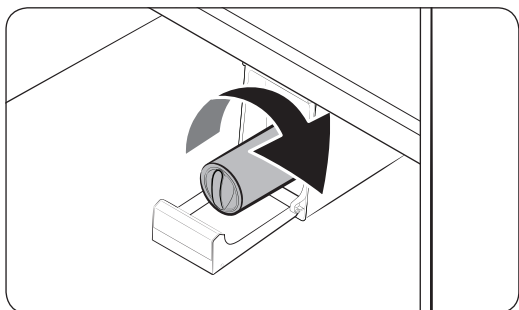
2. Turn the knob of the filter cartridge counter clockwise 90 degrees (1/4 turn). The filter cartridge unlocks.
3. Pull out to remove the cartridge.
 - If the water filter is severely contaminated, the cartridge may not be easy to remove. If that is the case, use force to remove the cartridge.
 - To prevent water leaks from the filter opening, pull the cartridge straight out while removing it.

Maintenance

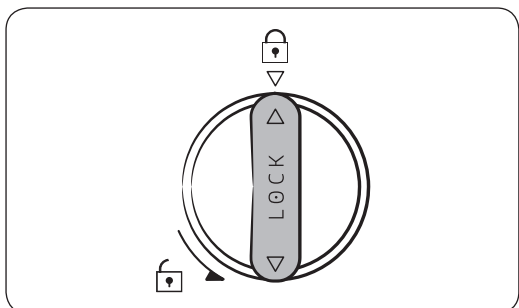


NOTE

To prevent overflow, empty and dry the water filter tray.



4. Insert a new filter cartridge. Use only Samsung-provided or approved filters.



5. Turn the cartridge knob clockwise to lock into place.
6. On the Home screen, tap **Fridge Manager** > **Fridge Settings** > **Water Filter**, and then select **RESET**. The filter indicator turns off.
7. When you are done replacing the filter, open the water valve and run water through the dispenser for about 7 minutes. This is to remove impurities and air from the water line.

NOTE

- A newly installed filter may cause the water dispenser to spurt water briefly. This is because air has entered the waterline.
- The replacement process may cause the water dispenser to drip for a short period of time. If it drips, simply wipe up any water on the floor with a dry towel.

Reverse osmosis water filtration system

The water pressure of the water supply system to a reverse osmosis water filtration system must be between 35 psi and 120 psi (241 kPa and 827 kPa).

The water pressure of the reverse osmosis water filtration system to the refrigerator's cold water line must be at least 40 psi (276 kPa). If the water pressure is below these specifications:

- Check if the sediment filter in the reverse osmosis system is blocked. Replace the filter if necessary.
- Refill the water tank in the reverse osmosis system with water.
- If your refrigerator has a water filter, it may further reduce the water pressure when used in conjunction with a reverse osmosis system. Remove the water filter.

For more information or servicing, contact a licensed plumbing professional.

Ordering a new filter

To purchase a new water filter, contact a local Samsung service center or visit www.samsungparts.com on the web.

LED Lights

To replace the LED lights on the refrigerator, contact a local Samsung service center.

WARNING

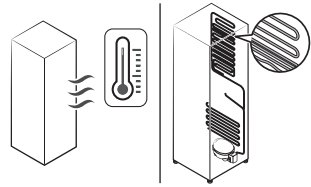
The LED lights are not user-serviceable. Do not attempt to replace an LED light yourself. This can cause electric shock.

Troubleshooting

Before calling for service, review the checkpoints below. Any service calls regarding normal situations (No Defect Cases) will be charged to users.

General

Temperature

Symptom	Possible causes	Solution
Fridge/freezer does not operate. Fridge/freezer temperature is warm.	<ul style="list-style-type: none"> Power cord is not plugged in properly. 	<ul style="list-style-type: none"> Properly plug in the power cord.
	<ul style="list-style-type: none"> Temperature control is not set correctly. 	<ul style="list-style-type: none"> Set the temperature lower.
	<ul style="list-style-type: none"> Refrigerator is located near a heat source or direct sunlight. 	<ul style="list-style-type: none"> Keep the refrigerator away from direct sunlight or a heat source.
	<ul style="list-style-type: none"> Not enough clearance between refrigerator and nearby walls or cabinets. 	<ul style="list-style-type: none"> Make sure there is a gap of at least 2.5 inches (5 cm) between the refrigerator back and sides and any nearby walls or cabinets.
	<ul style="list-style-type: none"> The refrigerator is overloaded. Food is blocking the refrigerator vents. 	<ul style="list-style-type: none"> Do not overload the refrigerator. Do not allow food to block ventilation.
Fridge/freezer is over-cooling.	<ul style="list-style-type: none"> Temperature control is not set correctly. 	<ul style="list-style-type: none"> Set the temperature higher.
Interior wall is hot.	<ul style="list-style-type: none"> Refrigerator has heat-proof piping in the interior wall. 	<ul style="list-style-type: none"> To prevent condensation from forming, the refrigerator has heat-proof piping in the front corners. If the ambient temperature rises, this equipment may not work effectively. This is not a system failure. 

Odors

Symptom	Possible causes	Solution
Refrigerator has odors.	<ul style="list-style-type: none">• Spoiled food.	<ul style="list-style-type: none">• Clean the refrigerator and remove any spoiled food.
	<ul style="list-style-type: none">• Food with strong odors.	<ul style="list-style-type: none">• Make sure strong smelling food is wrapped airtight.

Frost

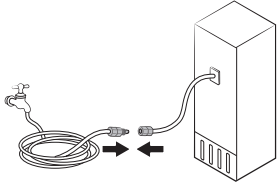
Symptom	Possible causes	Solution
Frost around the vents.	<ul style="list-style-type: none">• Food is blocking the vents.	<ul style="list-style-type: none">• Make sure no food blocks the refrigerator vents.
Frost on interior walls.	<ul style="list-style-type: none">• Door is not closed properly.	<ul style="list-style-type: none">• Make sure food does not block the door. Clean the door gasket.
Fruits or vegetables are frozen.	<ul style="list-style-type: none">• Fruits or vegetables are stored in the Flex Zone and the temperature was set too low.	<ul style="list-style-type: none">• Set the temperature of the Flex Zone to a temperature appropriate for fruits or vegetables.

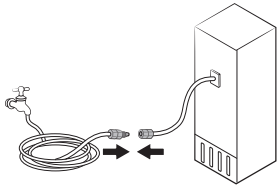
Condensation

Symptom	Possible causes	Solution
Condensation forms on the interior walls.	<ul style="list-style-type: none">• If door is left open, moisture enters the refrigerator.	<ul style="list-style-type: none">• Remove the moisture and do not leave a door open for extended periods of time.
	<ul style="list-style-type: none">• Food with high moisture content.	<ul style="list-style-type: none">• Make sure food is wrapped airtight.

Troubleshooting

Water/ice (dispenser models only)

Symptom	Possible causes	Solution
Water flow is weaker than normal.	<ul style="list-style-type: none"> Water pressure is too low. 	<ul style="list-style-type: none"> Make sure the water pressure is between 20 to 120 psi.
Ice maker makes a buzzing sound.	<ul style="list-style-type: none"> The ice maker function is activated, but the water supply to the refrigerator has not been connected. 	<ul style="list-style-type: none"> Press Ice Maker off.
Ice maker does not make ice.	<ul style="list-style-type: none"> Ice maker has just been installed. 	<ul style="list-style-type: none"> You must wait 12 hours for the refrigerator to make ice.
	<ul style="list-style-type: none"> Freezer temperature is too low. 	<ul style="list-style-type: none"> Set the freezer temperature below 0 °F (-18 °C) or -4 °F (-20 °C) in warm, ambient air.
	<ul style="list-style-type: none"> Dispenser Lock is activated. 	<ul style="list-style-type: none"> Deactivate Dispenser Lock.
	<ul style="list-style-type: none"> Ice maker is off. 	<ul style="list-style-type: none"> Turn on the ice maker.
Ice does not dispense.	<ul style="list-style-type: none"> Ice may jam if the ice dispenser is not used for a long time (approx. 3 weeks). 	<ul style="list-style-type: none"> If you won't be using the refrigerator for a long time, empty the ice bucket and turn off the ice maker.
	<ul style="list-style-type: none"> Ice bucket is not properly inserted. 	<ul style="list-style-type: none"> Make sure the ice bucket is properly inserted.
	<ul style="list-style-type: none"> Water line is not connected properly or water supply is not on. 	<ul style="list-style-type: none"> Check if the water line is installed correctly. Check if the water line stop cock is closed. 

Symptom	Possible causes	Solution
Water does not dispense.	<ul style="list-style-type: none"> Water line is not connected properly or water supply is not on. 	<ul style="list-style-type: none"> Check the water installation conditions. 
	<ul style="list-style-type: none"> Dispenser Lock is activated. 	<ul style="list-style-type: none"> Deactivate Dispenser Lock.
	<ul style="list-style-type: none"> A third-party water filter was installed. 	<ul style="list-style-type: none"> Use only Samsung-provided or approved filters. Unapproved filters may leak and damage the refrigerator.
	<ul style="list-style-type: none"> Water filter indicator turns on or blinks. 	<ul style="list-style-type: none"> Replace the water filter. After replacing, reset the filter indicator sensor.

Troubleshooting

Samsung Connect

Symptom	Action
Could not find "Samsung Connect" in the app market.	<ul style="list-style-type: none">The Samsung Connect app is available for smartphones that run Android 6.0 (Marshmallow) or higher, or iOS 9.0 or higher.
The Samsung Connect app fails to operate.	<ul style="list-style-type: none">The Samsung Connect app is available for applicable models only.The old Samsung Smart Refrigerator app cannot connect with Samsung Smart Home models.
The Samsung Connect app is installed but is not connected to my refrigerator.	<ul style="list-style-type: none">You must log into your Samsung account to use the app.Make sure that your router is operating normally.If you have not connected your refrigerator to the Samsung Connect App after the app was installed, you must make the connection using the device registration function of the app.
Could not log into the app.	<ul style="list-style-type: none">You must log into your Samsung account to use the app.If you don't have a Samsung account, follow the app's onscreen instructions to create one.
An error message appears when I try to register my refrigerator.	<ul style="list-style-type: none">Easy Connection may fail due to the distance from your access point (AP) or electrical interference from the surrounding environment. Wait a moment and try again.
The Samsung Connect app is successfully connected to my refrigerator but does not run.	<ul style="list-style-type: none">Exit and restart the Samsung Connect app or disconnect and reconnect the router.Unplug the power cord of the refrigerator, and then plug it in again after 1 minute.

Samsung Family Hub

Symptom	Action
Could not find “Samsung Family Hub” in the app market.	<ul style="list-style-type: none">The Samsung Family Hub app is available for smartphones that run Android 4.4 (KitKat) or higher, or iOS 8.0 or higher.
Could not log into the app.	<ul style="list-style-type: none">You must log into your Samsung account to use the app.If you don't have a Samsung account, follow the app's onscreen instructions to create one.

Troubleshooting

Smart Grid

Symptom	Action
What Do I Need to use the Energy Management and Smart Grid functions?	<p>To use the Smart Grid (Demand Response) and Energy Management functions on your refrigerator, you need the following:</p> <p>Devices</p> <ul style="list-style-type: none"> • A wireless access point (router) • A Samsung Energy Management-supported refrigerator • A smartphone <p>Registration</p> <ul style="list-style-type: none"> • Connect your refrigerator to your home Wi-Fi network. • Register for the EMS service with your electric company. Your electric company must have an EMS (Energy Management System) supporting SEP (Smart Energy profile). <p>App</p> <ul style="list-style-type: none"> • Download the Samsung Connect app from the Google Play Store, Apple App Store, or Samsung Galaxy Apps. • Install and run the Samsung Connect app on your smartphone.
Why isn't the Energy Management function working normally?	<ul style="list-style-type: none"> • Make sure that your home router is operating normally with proper Internet service and connection. • Make sure that the refrigerator is connected to the AP (router). <p>Checkpoints</p> <ul style="list-style-type: none"> • Connect your smartphone to the router (AP, Access Point), and then check if you can browse the Internet on the smartphone.
Why isn't the Delay Defrost Capability working normally?	<ul style="list-style-type: none"> • Make sure that your home router is operating normally with proper Internet service and connection.

LCD

Symptom	Action
Cannot connect to my TV.	<ul style="list-style-type: none">• This refrigerator can connect only with Samsung Smart TV 6400 series or higher models released since 2015. Please check the model name of your TV first.• Network connections may suffer temporary interruptions. Turn your TV off, and then try again.
The inner view picture looks bulged out or incomplete.	<ul style="list-style-type: none">• The edges of the inner view may look bulged out. The bulging is caused by the convex lens of the camera.• The inner view may be incomplete due to the blind spots on the left and right corners or screened depending on the layout of food items. Make sure to place food items in the front center.
The displayed measurement on the Fridge Manager is not correct.	<ul style="list-style-type: none">• The displayed conditions may differ from the actual temperature and humidity.

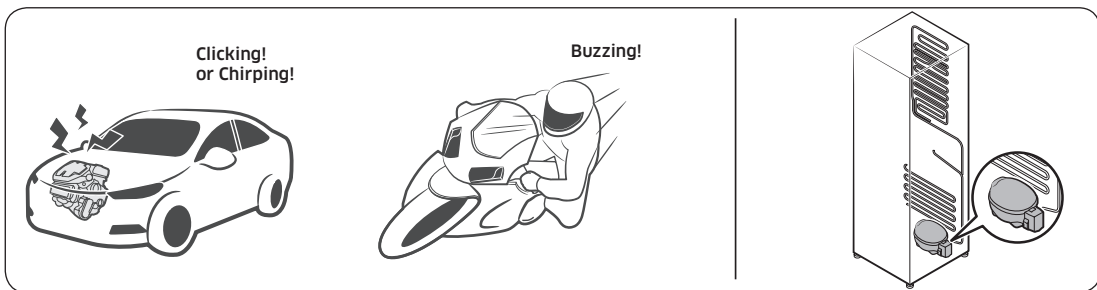
Troubleshooting

Do you hear abnormal sounds from the refrigerator?

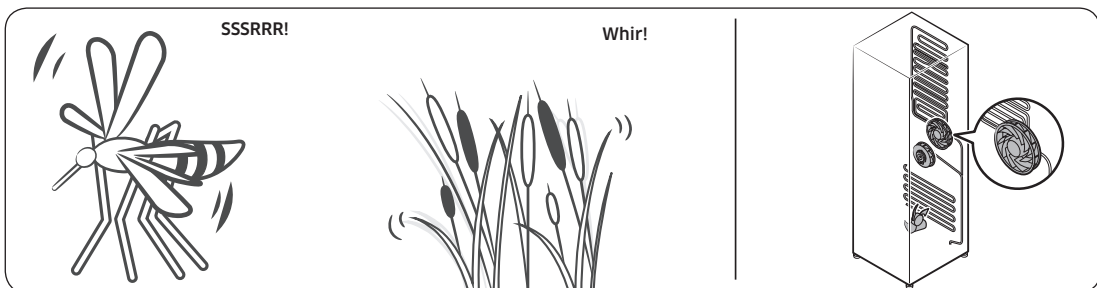
Before calling for service, review the checkpoints below. Any service calls related to normal sounds will be charged to the user.

These sounds are normal.

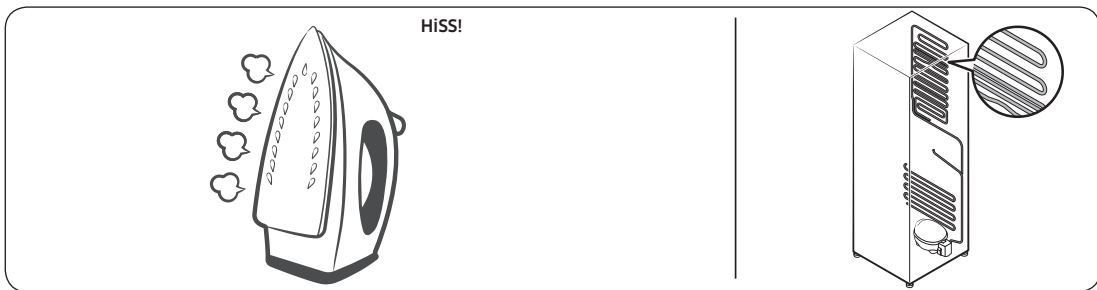
- When starting or ending an operation, the refrigerator may make sounds similar to a car engine ignition. As the operation stabilizes, the sounds will decrease.



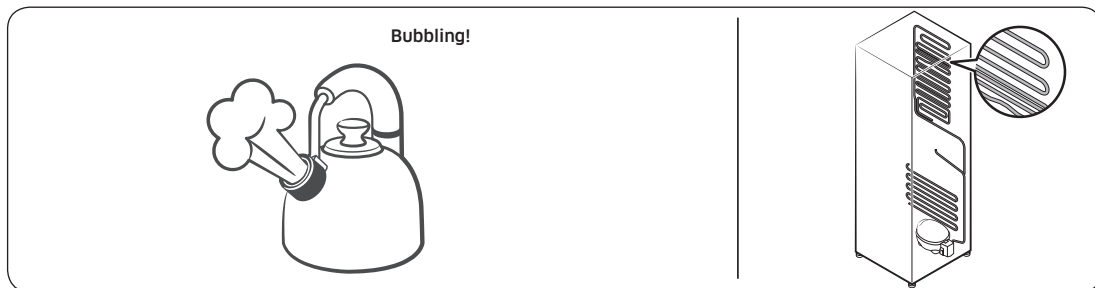
- While the fan is operating, these sounds may occur. When the refrigerator reaches the set temperature, the fan sound will stop.



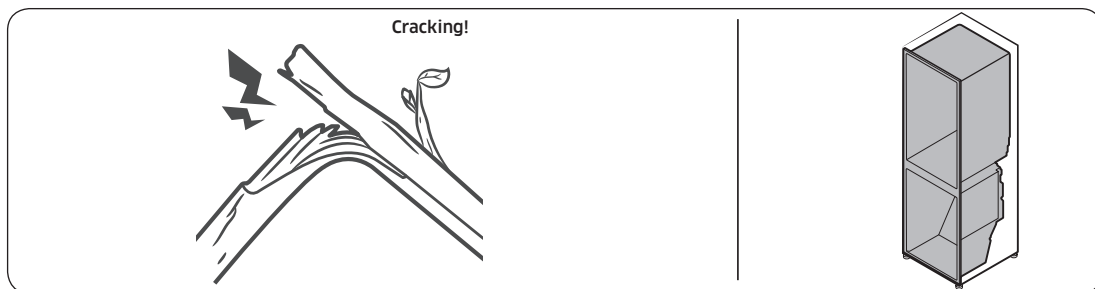
- During a defrost cycle, water may drip on the defrost heater, causing sizzling sounds.



- As the refrigerator cools or freezes, refrigerant gas moves through sealed pipes, causing bubbling sounds.



- As the refrigerator temperature increases or decreases, plastic parts contract and expand, creating knocking noises. These noises occur during the defrosting cycle or when electronic parts are working.



- For ice maker models: When the water valve opens to fill the ice maker, buzzing sounds may occur.
- Due to pressure equalizing when you open and close the refrigerator door, whooshing sounds may occur.

Warranty (USA)

WARRANTY ON SAMSUNG REFRIGERATOR

LIMITED WARRANTY TO ORIGINAL PURCHASER

This Samsung brand product, as supplied and distributed by Samsung Electronics America, Inc. (Samsung) and delivered new, in the original carton to the original consumer purchaser, is warranted by Samsung against manufacturing defects in materials and workmanship for a limited warranty period of:

One (1) year Parts and Labor on Refrigerator

Five (5) years Parts and Labor on sealed Refrigeration system only*

Ten (10) years Parts and Five (5) years Labor on Digital Inverter Compressor

(*Compressor, evaporator, condenser, drier, connecting tubing)

This limited warranty begins on the original date of purchase, and is valid only on products purchased and used in the United States. To receive warranty service, the purchaser must contact Samsung for problem determination and service procedures. Warranty service can only be performed by a Samsung authorized service center. The original dated bill of sale must be presented upon request as proof of purchase to Samsung or Samsung authorized service center.

Samsung will repair or replace any part found to be defective, at our option and at no charge as stipulated herein, with new or reconditioned parts during the limited warranty period specified above. All replaced parts and products become the property of Samsung and must be returned to Samsung. Replacement parts and products assume the remaining original warranty, or ninety (90) days, whichever is longer.

In-home service will be provided during the warranty labor period subject to availability within the contiguous United States. In-home service is not available in all areas. To receive in-home service, the product must be unobstructed and accessible from floor level to service personnel. If during in-home service repair cannot be completed, it may be necessary to remove, repair and return the product. If in-home service is unavailable, Samsung may elect, at our option, to provide for transportation of our choice to and from a Samsung authorized service center. Otherwise, transportation to and from the Samsung authorized service center is the responsibility of the purchaser.

This limited warranty covers manufacturing defects in materials and workmanship encountered in normal, noncommercial use of this product, and shall not apply to the following, including, but not limited to: damage which occurs in shipment; delivery and installation; applications and uses for which this product was not intended; altered product or serial numbers; cosmetic damage or exterior finish; accidents, abuse, neglect, fire, water, lightning or other acts of nature; use of products, equipment, systems, utilities, services, parts, supplies, accessories, applications, installations, repairs, external plumbing and leaks, external wiring, circuit breakers, fuses or connectors not supplied and authorized by Samsung, or which damage this product or result in service problems; incorrect electrical line voltage, fluctuations and surges; customer adjustments and failure to follow operating instructions, cleaning, maintenance and environmental instructions that are covered and prescribed in the instruction book; loss of food due to spoilage; consumable items including filters and light.

THERE ARE NO EXPRESS WARRANTIES OTHER THAN THOSE LISTED AND DESCRIBED ABOVE, AND NO WARRANTIES WHETHER EXPRESS OR IMPLIED, INCLUDING, BUT NOT LIMITED TO, ANY IMPLIED WARRANTIES OF MERCHANTABILITY OR FITNESS FOR A PARTICULAR PURPOSE, SHALL APPLY AFTER THE EXPRESS WARRANTY PERIODS STATED ABOVE, AND NO OTHER EXPRESS WARRANTY OR GUARANTY GIVEN BY ANY PERSON, FIRM OR CORPORATION WITH RESPECT TO THIS PRODUCT SHALL BE BINDING ON SAMSUNG. SAMSUNG SHALL NOT BE LIABLE FOR LOSS OF REVENUE OR PROFITS, FAILURE TO REALIZE SAVINGS OR OTHER BENEFITS, OR ANY OTHER SPECIAL, INCIDENTAL OR CONSEQUENTIAL DAMAGES CAUSED BY THE USE, MISUSE OR INABILITY TO USE THIS PRODUCT, REGARDLESS OF THE LEGAL THEORY ON WHICH THE CLAIM IS BASED, AND EVEN IF SAMSUNG HAS BEEN ADVISED OF THE POSSIBILITY OF SUCH DAMAGES. NOR SHALL RECOVERY OF ANY KIND AGAINST SAMSUNG BE GREATER IN AMOUNT THAN THE PURCHASE PRICE OF THE PRODUCT SOLD BY SAMSUNG AND CAUSING THE ALLEGED DAMAGE. WITHOUT LIMITING THE FOREGOING, PURCHASER ASSUMES ALL RISK AND LIABILITY FOR LOSS, DAMAGE OR INJURY TO PURCHASER AND PURCHASER'S PROPERTY AND TO OTHERS AND THEIR PROPERTY ARISING OUT OF THE USE, MISUSE OR INABILITY TO USE THIS PRODUCT SOLD BY SAMSUNG NOT CAUSED DIRECTLY BY THE NEGLIGENCE OF SAMSUNG. THIS LIMITED WARRANTY SHALL NOT EXTEND TO ANYONE OTHER THAN THE ORIGINAL PURCHASER OF THIS PRODUCT, IS NONTRANSFERABLE AND STATES YOUR EXCLUSIVE REMEDY.

Some states do not allow limitations on how long an implied warranty lasts, or the exclusion or limitation of incidental or consequential damages, so the above limitations or exclusions may not apply to you. This warranty gives you specific legal rights, and you may also have other rights, which vary from state to state. To obtain warranty service, please contact Samsung at:

Warranty (USA)

SAMSUNG CUSTOMER CARE CENTER

Samsung Electronics America, Inc.
85 Challenger Road
Ridgefield Park, NJ 07660
1-800-SAMSUNG (726-7864)
www.samsung.com/us/support

Warranty Information (CANADA)

If your refrigerator needs service

Do not hesitate to call any Samsung Authorized Service Center nearby giving them your name, address and telephone number if your product is not functioning properly.

Limited Warranty for Original Purchaser

This Samsung product is warranted by Samsung Electronics Canada Inc. (hereafter referred to as SECA) against manufacturing defects in material or workmanship for the following periods:

Labor : 1 year (in-home)

Parts : 1 year

Inverter Compressor : 10 years (Part only)

SECA further warrants that if this product fails to operate properly within the specified warranty period and the failure is due to improper workmanship or defective material, SECA will repair or replace the product at its option. In-home service is not available in all areas. Contact us to find out if in-home service is currently available in your area by using the contact information at the back of this warranty.

All warranty repairs or part replacements must be performed by a SECA Authorized Service Center. (To find the nearest SECA Service Center, call 1-800-SAMSUNG (7267864) or visit our web site at www.samsung.com/ca)

Obligation to the Original Owner

The original dated sales receipt must be retained by the customer and is the only acceptable proof of purchase. It must be presented to a SECA Authorized Service Center at the time service is requested before warranty services are rendered. On all carry-in models, transportation to and from the Authorized Service Center is the responsibility of the customer.

Warranty Information (CANADA)

Exclusions of the Warranty

This warranty does not cover damage due to accident, fire, flood, and/or other Acts of God, misuse, incorrect line voltage, improper installation, improper or unauthorized repairs, commercial use, or damage that occurs during shipping. Customer adjustments which are explained in this owners manual are not covered under the terms of this warranty. This warranty will automatically be voided for any unit found with a missing or altered serial number. This warranty is valid only on products purchased and used in the Canada.

SAMSUNG CUSTOMER CARE CENTER

Samsung Electronics Canada Inc.
2050 Derry Road West
Mississauga, Ontario L5N 0B9
Canada

1-800-SAMSUNG (726-7864)

www.samsung.com/ca/support (English)

www.samsung.com/ca_fr/support (French)

Open Source Announcement

The software included in this product contains open source software. You may obtain the complete corresponding source code for a period of three years after the last shipment of this product by sending an email to <mailto:oss.request@samsung.com>.

It is also possible to obtain the complete corresponding source code in a physical medium such as a CD-ROM; a minimal charge will be required.

The following URL http://opensource.samsung.com/opensource/F_HUB/seq/0 leads to the download page of the source code made available and open source license information as related to this product. This offer is valid to anyone in receipt of this information.



Memo

Memo



Scan this with your smartphone

Scan the QR code* or visit www.samsung.com/spsn to view our helpful How-to Videos and Live Shows

* Requires reader to be installed on your smartphone

Contact SAMSUNG WORLD WIDE

If you have any questions or comments relating to Samsung products, please contact the SAMSUNG customer care center.

Country	Contact Center	Web Site
U.S.A	1-800-SAMSUNG (726-7864) 1-844-SAM-PAYS (726-7297)	www.samsung.com/us/support
CANADA	1-800-SAMSUNG (726-7864) 1-844-SAM-PAYS (726-7297)	www.samsung.com/ca/support (English) www.samsung.com/ca_fr/support (French)



DA68-03460F-02



Refrigerador

Manual del usuario

Electrodoméstico independiente

SAMSUNG

Contenido

Información sobre seguridad	4
Símbolos y advertencias de seguridad importantes:	4
Advertencia sobre la State of California Proposition 65 (solo EE.UU.)	4
Advertencias muy importantes para la instalación	5
Precauciones para la instalación	7
Advertencias muy importantes para el uso	7
Precauciones de uso	11
Precauciones para la limpieza	12
Advertencias muy importantes para la eliminación de residuos	13
1. Aviso regulatorio	14
Instalación	16
Descripción breve de su refrigerador	16
Extracción de la puerta para la entrada	18
Instalación paso a paso	26
Funcionamiento	35
Interfaz del usuario	35
Samsung Connect	45
Función SMART GRID(respuesta a la demanda)	48
Recomendaciones relativas al reconocimiento de voz	52
Samsung Family Hub	52
Funciones especiales	54
Mantenimiento	59
Manipulación y cuidado	59
Limpieza	63
Reemplazo	64

Solución de problemas	67
General	67
Samsung Connect	71
Samsung Family Hub	72
Smart Grid	73
LCD	74
¿Se oyen ruidos anómalos procedentes del refrigerador?	75
Garantía (USA)	77
GARANTÍA DEL REFRIGERADOR SAMSUNG	77



Información sobre seguridad

- Antes de utilizar su nuevo refrigerador Samsung, lea detenidamente este manual a fin de aprender a usar las funciones que ofrece de manera segura y eficiente.
- Este electrodoméstico no debe ser utilizado por personas (incluidos niños) con capacidades mentales, sensoriales o físicas reducidas o por personas que carezcan de experiencia y conocimientos, a menos que se encuentren bajo la supervisión o hayan recibido instrucciones de un responsable de su seguridad sobre el uso del refrigerador.
- Debido a que las siguientes instrucciones corresponden a diversos modelos, es posible que las características de su refrigerador difieran ligeramente de las que se describen en este manual.
- Si tiene alguna duda, comuníquese al 1-800-SAMSUNG o encuentre ayuda e información en línea en www.samsung.com.
- Se utiliza R-600a o R-134a como refrigerante. Mire la etiqueta del compresor en la parte posterior del electrodoméstico o la etiqueta de voltaje dentro del refrigerador para constatar qué refrigerante fue utilizado en su refrigerador. Si este producto contiene gas inflamable (Refrigerante R-600a), comuníquese con las autoridades locales para desechar este producto en forma segura.
- Es peligroso que una persona que no sea un técnico de servicio autorizado realice tareas de reparación en este aparato.

Símbolos y advertencias de seguridad importantes:

Sírvase seguir todas las instrucciones de seguridad del presente manual. En el presente manual se utilizan los siguientes símbolos de seguridad.

ADVERTENCIA

Riesgos o prácticas inseguras que pueden causar **graves lesiones personales, daños a la propiedad y/o incluso la muerte.**

PRECAUCIÓN

Riesgos o prácticas inseguras que pueden causar **lesiones personales leves y/o daños materiales.**

NOTA

Información útil que ayuda a los usuarios a comprender u obtener beneficios del refrigerador.

Estas señales de advertencia se incluyen aquí para evitar que usted o terceros sufran lesiones.

Sígalas atentamente.

Después de leer esta sección, consérvela en un lugar seguro para referencia futura.

Advertencia sobre la State of California Proposition 65 (solo EE.UU.)

ADVERTENCIA : Este producto contiene productos químicos reconocidos en el estado de California como capaces de provocar cáncer y defectos de nacimiento u otras afecciones reproductivas.





Advertencias muy importantes para la instalación

ADVERTENCIA

- No instale el refrigerador en un lugar húmedo o donde pueda entrar en contacto con agua.
 - El aislamiento deficiente de las piezas eléctricas puede provocar una descarga eléctrica o un incendio.
- No exponga este refrigerador a la luz solar directa ni al calor de estufas, calefactores u otros electrodomésticos.
- No enchufe varios electrodomésticos en la misma toma múltiple. El refrigerador debe conectarse siempre a un tomacorriente individual cuyo voltaje nominal coincida con el que se especifica en la placa de voltaje del refrigerador.
 - De esta manera se obtiene el mejor desempeño y también se evita que se sobrecarguen los circuitos del cableado de la casa, lo que podría sobrecalentar los cables y provocar un riesgo de incendio.
- Si el tomacorriente está flojo, no conecte el enchufe.
 - Existe el riesgo de que se produzca una descarga eléctrica o un incendio.
- No utilice un cable de alimentación que esté dañado o gastado en su extensión o en cualquiera de los extremos.
- No doble excesivamente el cable de alimentación ni coloque objetos pesados sobre él.
- No tire del cable de alimentación ni lo doble excesivamente.
- No retuerza ni amarre el cable de alimentación.
- No coloque el cable de alimentación sobre un objeto metálico; no coloque sobre él ningún objeto pesado; no lo coloque entre objetos ni lo empuje hacia el espacio que hay detrás del electrodoméstico.
- Al mover el refrigerador, tenga cuidado de no enroscar ni dañar el cable de alimentación.
 - Esto podría causar una descarga eléctrica o un incendio.
- Nunca desenchufe el refrigerador jalando el cable de alimentación. Siempre sostenga el enchufe con firmeza y jale para extraerlo del tomacorriente.
 - Los daños al cable pueden provocar un cortocircuito, un incendio o una descarga eléctrica.
- No almacene sustancias explosivas como latas de aerosoles con gases propelentes inflamables en este electrodoméstico.
- No instale este electrodoméstico cerca de calefactores o materiales inflamables.
- No instale este electrodoméstico en un lugar donde pueda haber fugas de gas.
 - Esto podría causar una descarga eléctrica o un incendio.
- Antes de usarse, el refrigerador debe ubicarse e instalarse de manera apropiada de acuerdo con las instrucciones de este manual.
- Conecte el enchufe en la posición correcta con el cable colgando hacia abajo.
 - Si conecta el enchufe al revés, el cable puede cortarse y provocar un incendio o una descarga eléctrica.





Información sobre seguridad

- Asegúrese de que el enchufe no esté aplastado ni haya sido dañado por la parte posterior del refrigerador.
- Mantenga los materiales de empaque fuera del alcance de los niños.
 - Existe el riesgo de muerte por asfixia si un niño se coloca los materiales de empaque en la cabeza.
- El electrodoméstico debe colocarse de manera tal que se pueda acceder al enchufe después de la instalación.
 - No seguir esta recomendación puede causar una descarga eléctrica o un incendio debido a una fuga de electricidad.
- No instale este electrodoméstico en un lugar húmedo, engrasado o sucio, o en un sitio con exposición directa al sol o al agua (lluvia).
 - El aislamiento deficiente de las piezas eléctricas puede provocar una descarga eléctrica o un incendio.
- Si ingresaran grandes cantidades de polvo o agua al refrigerador, desenchufe el cable de alimentación y comuníquese con el Centro de Servicio de Samsung Electronics.
 - Si no lo hace, existe el riesgo de que se produzca un incendio.
- No se pare sobre el electrodoméstico ni le coloque objetos encima (tales como ropa, velas o cigarrillos encendidos, platos, productos químicos, objetos metálicos, etc.).
 - Esto podría causar una descarga eléctrica, un incendio, problemas con el producto o lesiones.
- Es necesario quitar toda la película plástica protectora antes de enchufar el producto por primera vez.
- Se deberá vigilar a los niños para asegurarse de que no jueguen con los anillos elásticos utilizados para el ajuste de la puerta o con las grapas del tubo de agua.
 - Existe riesgo de muerte por asfixia si un niño se traga un anillo elástico o una grapa del tubo de agua. Mantenga los anillos elásticos y las grapas del tubo de agua fuera del alcance de los niños.
- El refrigerador debe estar conectado a tierra de manera segura.
 - Siempre asegúrese de haber conectado el refrigerador a tierra antes de intentar examinar o reparar alguna pieza. Las fugas de energía pueden provocar una descarga eléctrica grave.
- Nunca utilice como conexión a tierra tubos de gas, líneas telefónicas ni otras posibles fuentes de atracción de rayos.
 - El refrigerador debe estar conectado a tierra para evitar cualquier fuga de energía o descarga eléctrica provocada por fugas de corriente del refrigerador.
 - Esto podría causar descargas eléctricas, incendios, explosiones o problemas con el producto.
 - El uso inapropiado de la conexión a tierra puede traer como consecuencia un riesgo de descarga eléctrica. Si necesita usar un cable de extensión, use solo uno de tres hilos con un enchufe que tenga una tercera punta para el polo a tierra; la toma de corriente deberá tener 3 ranuras para adaptarse al enchufe del electrodoméstico. La potencia indicada en el cable de extensión debe ser CA 115-120 V, 10 A o superior. Si se utiliza un adaptador de tierra, asegúrese de que el receptáculo esté conectado correctamente a tierra.



- Conecte bien el enchufe a la toma de pared. No utilice enchufes o cables de alimentación dañados ni enchufes de pared flojos.
 - Esto podría causar una descarga eléctrica o un incendio.
- Si el cable de alimentación está dañado, solicite su reemplazo de inmediato al fabricante o a uno de los agentes de servicio técnico.
- Únicamente un técnico calificado o compañía de reparaciones debe estar autorizado para cambiar el fusible del refrigerador.
 - No seguir esta recomendación, podría causar una descarga eléctrica o lesiones.

Precauciones para la instalación

PRECAUCIÓN

- Deje espacio suficiente alrededor del refrigerador e instálelo sobre una superficie plana.
 - Mantenga libre de obstáculos el espacio de ventilación en el gabinete o la estructura de montaje del electrodoméstico.
- Una vez que haya instalado el refrigerador y lo haya encendido, permita que funcione durante 2 horas antes de cargarlo con alimentos.
- Recomendamos que el refrigerador sea instalado por un técnico calificado o una compañía de servicios.
 - No seguir esta recomendación puede causar descargas eléctricas, incendios, explosiones, problemas con el producto o lesiones.
- Sobrecargar una de las puertas puede ocasionar la caída del refrigerador y provocar lesiones personales.

Advertencias muy importantes para el uso

ADVERTENCIA

- No conecte el enchufe en un tomacorriente con las manos mojadas.
 - Esto podría causar una descarga eléctrica.
- No coloque objetos en la parte superior de la unidad.
 - Cada vez que abra o cierre la puerta, estos podrían caerse y provocar lesiones personales o daños materiales.
- No coloque las manos, los pies ni objetos metálicos (como palillos chinos, etc.) en la parte inferior o posterior del refrigerador.
 - Esto podría causar una descarga eléctrica o lesiones personales.
 - Algunos bordes filosos podrían provocar lesiones personales.



Información sobre seguridad

- No toque las paredes internas del congelador ni los productos almacenados en este con las manos mojadas.
 - Esto puede provocar quemaduras por frío.
- No coloque un recipiente con agua sobre el refrigerador.
 - Si se derrama, existe el riesgo de que se produzca un incendio o una descarga eléctrica.
- No almacene sustancias u objetos volátiles o inflamables (benceno, solvente, gas propano, alcohol, éter, gas LP ni cualquier otro producto de este tipo) en el refrigerador.
 - Este refrigerador se debe utilizar solo para almacenar alimentos.
 - Esto podría causar un incendio o una explosión.
- Se deberá vigilar a los niños para asegurarse de que no jueguen con el electrodoméstico.
 - Aleje los dedos de los puntos de agarre. Los espacios entre las puertas y el gabinete son inevitablemente pequeños. Abra las puertas con cuidado si hay niños cerca.
- No permita que los niños se cuelguen de la puerta ni de los compartimientos de la puerta. Pueden producirse lesiones graves.
- No permita que los niños ingresen al refrigerador. Podrían quedar atrapados.
- No coloque las manos debajo del electrodoméstico.
 - Es posible que algunas puntas filosas le provoquen lesiones.
- No almacene en el refrigerador productos farmacéuticos, materiales científicos ni productos sensibles a la temperatura.
 - No se deben almacenar productos que requieran controles estrictos de temperatura.
- No coloque ni utilice aparatos eléctricos dentro del refrigerador/congelador, a menos que sean del tipo recomendado por el fabricante.
- En caso de sentir olor a humo, desconecte el enchufe de inmediato y comuníquese con el Centro de Servicio de Samsung Electronics.
- Si ingresaran grandes cantidades de polvo o agua al refrigerador, desenchufe el cable de alimentación y comuníquese con el Centro de Servicio de Samsung Electronics.
 - Si no lo hace, existe el riesgo de que se produzca un incendio.
- No permita que los niños se paren sobre un cajón.
 - El cajón se puede romper y los niños pueden caerse.
- No deje las puertas del refrigerador abiertas si el refrigerador no está siendo vigilado y no permita que los niños ingresen en el refrigerador.
- No permita que los bebés ni los niños ingresen al cajón.
 - Esto puede provocar muerte por asfixia debido al encierro o lesiones personales.
- No sobrecargue el refrigerador con comida.
 - Cuando abra la puerta, algún elemento podría caerse y provocar lesiones personales o daños materiales.
- No pulverice material volátil, tal como un insecticida, sobre la superficie del electrodoméstico.
 - Además de ser perjudicial para los seres humanos, puede causar una descarga eléctrica, un incendio o problemas con el producto.



- Nunca coloque los dedos ni otros objetos en el orificio del dispensador de agua, en el recipiente de hielo o en la cubeta de la fábrica de hielo.
 - Esto puede provocar lesiones personales o daños materiales.
- No utilice ni coloque ninguna sustancia sensible a la temperatura, tales como pulverizadores inflamables, objetos inflamables, hielo seco, medicamentos o productos químicos, cerca o dentro del refrigerador.
- No utilice un secador de cabello para secar el interior del refrigerador. No coloque velas encendidas en el refrigerador para eliminar los malos olores.
 - Esto podría causar una descarga eléctrica o un incendio.
- Llene el tanque de agua, la charola para el hielo solamente con agua potable (agua de la llave, agua mineral o agua purificada).
 - No llene el tanque con té, jugo ni bebidas isotónicas. Pueden dañar el refrigerador.
- No se pare sobre el electrodoméstico ni le coloque objetos encima (tales como ropa, velas o cigarrillos encendidos, platos, productos químicos, objetos metálicos, etc.). Esto podría causar una descarga eléctrica, un incendio, problemas con el producto o lesiones. No coloque un recipiente con agua sobre el electrodoméstico.
 - Si se derrama, existe el riesgo de que se produzca un incendio o una descarga eléctrica.
- No utilice dispositivos mecánicos ni cualquier otro medio para acelerar el proceso de descongelamiento que no sean aquellos recomendados por el fabricante.
- No dañe el circuito del refrigerante.
- No mire fijamente la lámpara LED UV durante mucho tiempo.
 - Los rayos ultravioletas podrían dañarle la visión.
- No coloque el estante del refrigerador al revés. El tope del estante no funcionará.
 - El estante de vidrio puede caerse y provocar lesiones.
- Aleje los dedos de los puntos de agarre. Los espacios entre las puertas y el gabinete son inevitablemente pequeños. Abra las puertas con cuidado si hay niños cerca.
- Si se detecta una fuga de gas, evite las llamas o posibles fuentes de ignición y ventile durante varios minutos la habitación en la que se encuentra el electrodoméstico.
 - No toque el electrodoméstico ni el cable de alimentación.
 - No utilice un ventilador.
 - Una chispa puede provocar una explosión o un incendio.
- Utilice solamente lámparas LED proporcionadas por el fabricante o sus agentes de servicio técnico.
- Las botellas se deben almacenar una junto a otra de manera tal que no se tumben ni se caigan.
- Este producto se debe utilizar solo para almacenar alimentos en un entorno doméstico.
- Nunca coloque los dedos ni otros objetos en el orificio del dispensador de agua, en el recipiente de hielo o en la cubeta de la fábrica de hielo.
 - Puede provocar lesiones personales o daños materiales.



Información sobre seguridad

- No intente reparar, desensamblar ni modificar el refrigerador por su cuenta.
 - Las modificaciones que no han sido autorizadas pueden provocar problemas de seguridad. Para revertir una modificación no autorizada, cobraremos el costo completo de las piezas y mano de obra.
- No utilice ningún fusible (tales como los de alambres de acero, de cobre, etc.) que no sea un fusible estándar.
- Si es necesario reparar o volver a instalar el refrigerador, comuníquese con su Centro de Servicio más cercano.
 - No seguir esta recomendación puede causar una descarga eléctrica, un incendio, problemas con el producto o lesiones.
- Si la lámpara LED interior o exterior se ha apagado, comuníquese con el Centro de Servicio más cercano.
- En caso de sentir olor a quemado o a humo en el refrigerador, desenchúfelo de inmediato y comuníquese con un Centro de Servicio Samsung.
 - No seguir esta recomendación podría causar una descarga eléctrica o un incendio.
- Desenchufe el refrigerador antes de cambiar las lámparas internas.
 - Si no lo hace, existe el riesgo de que se produzca una descarga eléctrica.
- Si le resulta difícil cambiar una luz que no sea de LED, comuníquese con un Centro de Servicio de Samsung.
- Si el producto cuenta con lámparas LED, no desensamble las cubiertas de la lámpara y las lámparas LED usted mismo.
 - Comuníquese con un Centro de Servicio de Samsung.
- Conecte bien el enchufe a la toma de pared.
- No utilice enchufes o cables de alimentación dañados ni enchufes de pared flojos.
 - Esto podría causar una descarga eléctrica o un incendio.



Precauciones de uso

PRECAUCIÓN

- No vuelva a congelar alimentos que se hayan descongelado completamente. No coloque bebidas carbonatadas o con gas en el compartimiento del congelador. No coloque botellas ni recipientes de vidrio en el congelador.
 - Cuando el contenido se congela, el vidrio puede romperse y provocar lesiones personales.
- Utilice solamente la fábrica de hielo del refrigerador.
- Para obtener el mejor desempeño del producto:
 - No coloque alimentos muy cerca de las rejillas de ventilación en la parte posterior del refrigerador, ya que pueden obstruir la libre circulación del aire en el compartimiento del refrigerador.
 - Envuelva los alimentos adecuadamente o colóquelos en recipientes herméticos antes de almacenarlos en el refrigerador.
 - No coloque botellas de vidrio ni bebidas carbonatadas en el congelador. Si se congelan, pueden romperse. Los recipientes de bebidas rotos pueden provocar lesiones personales.
 - Cumpla con los tiempos máximos de almacenamiento y las fechas de vencimiento de los alimentos congelados.
- No coloque recipientes ni botellas de vidrio ni bebidas carbonatadas en el congelador.
 - El recipiente puede congelarse y romperse, y esto puede ocasionar lesiones.
- Garantía de servicio y modificación.
 - El servicio de garantía de Samsung no cubre los cambios o las modificaciones realizadas por un tercero a este electrodoméstico; Samsung tampoco es responsable de los problemas relacionados con la seguridad que puedan surgir a causa de modificaciones hechas por terceros.
- No obstruya las rejillas de ventilación dentro del refrigerador.
 - Si las rejillas de ventilación están tapadas, en particular con una bolsa de plástico, el refrigerador se puede sobrecongelar. Si el período de enfriamiento es demasiado prolongado, el filtro de agua puede romperse y provocar fugas de agua.
- Si se desconecta el refrigerador del suministro de energía, espere al menos cinco minutos antes de volver a enchufarlo.
- Si entraran grandes cantidades de agua al refrigerador, desenchúfelo y comuníquese con un Centro de Servicio Samsung.
- No golpee ni aplique una fuerza excesiva sobre ninguna superficie de vidrio.
 - Un vidrio roto puede causar lesiones personales o daños materiales.
- Llene el tanque de agua y la charola para el hielo solamente con agua potable (agua de la llave, agua mineral o agua purificada).
 - No llene el tanque con té, jugo ni bebidas isotónicas. Pueden dañar el refrigerador.
- Si el refrigerador se inunda, desconecte la alimentación del refrigerador y comuníquese con el centro de servicios Samsung más cercano.
 - Existe el riesgo de que se produzca una descarga eléctrica o un incendio.



Información sobre seguridad

- No guarde aceite vegetal en los compartimientos de la puerta del refrigerador. El aceite puede solidificarse y modificar su sabor y la facilidad de uso. Asimismo, el envase abierto puede gotear y el aceite vertido puede causar grietas en el compartimiento de la puerta. Una vez abierto u envase de aceite, es mejor almacenarlo en un lugar fresco y a la sombra, como un armario o alacena.
 - Ejemplos de aceite vegetal: aceite de oliva, de maíz, de semilla de uva, etc.

Precauciones para la limpieza

PRECAUCIÓN

- No pulverice con agua directamente dentro o fuera del refrigerador.
 - Existe el riesgo de que se produzca un incendio o una descarga eléctrica.
- No utilice un secador de cabello para secar el interior del refrigerador.
- No coloque velas encendidas en el refrigerador para eliminar los malos olores.
 - Esto podría causar una descarga eléctrica o un incendio.
- No rocíe productos de limpieza directamente sobre el visor.
 - Las letras impresas en el visor pueden borrarse.
- Si cualquier sustancia extraña, tal como agua, ingresa en el refrigerador, desenchúfelo y comuníquese con su Centro de Servicio más cercano.
 - No seguir esta recomendación podría causar una descarga eléctrica o un incendio.
- Use un paño seco y limpio para retirar cualquier sustancia extraña o polvo de las clavijas del enchufe. No utilice un paño mojado ni húmedo para limpiar el enchufe.
 - De lo contrario, existe el riesgo de que se produzca un incendio o una descarga eléctrica.
- No limpie el refrigerador rociando agua directamente sobre él.
- No limpie el refrigerador con benceno, disolvente o Clorox (blanqueador).
 - Pueden dañar la superficie del refrigerador y provocar un incendio.
- Nunca coloque los dedos ni otros objetos en la salida del dispensador.
 - Puede provocar lesiones personales o daños materiales.
- Antes de limpiar o realizar el mantenimiento, desenchufe el refrigerador del enchufe de pared.
 - No seguir esta recomendación podría causar una descarga eléctrica o un incendio.
- Utilice una esponja limpia o un paño suave y un detergente neutro disuelto en agua templada para limpiar el refrigerador.
- No utilice limpiadores abrasivos ni muy fuertes, como limpiacristales, limpiadores corrosivos, líquidos inflamables, ácido clorhídrico, ceras limpiadoras, detergentes concentrados, blanqueadores o limpiadores que contengan petróleo en las superficies exteriores (puertas y paneles), piezas de plástico, revestimientos de puertas e interiores y juntas.
 - Pueden rayar o dañar el material.



-
- No limpie con agua templada los estantes o las cubiertas de vidrio cuando estén fríos. Los estantes y las cubiertas de vidrio pueden romperse si se exponen a cambios bruscos de temperatura o a impactos como golpes o caídas.

Advertencias muy importantes para la eliminación de residuos

ADVERTENCIA

- **PELIGRO** : Existe el riesgo de que los niños queden encerrados. Antes de desechar su antiguo refrigerador o congelador:
 - Retire las puertas y los pestillos.
 - Deje los estantes en su lugar de manera tal que los niños no puedan trepar fácilmente en el interior.
 - Si algún niño queda atrapado dentro del refrigerador, puede lastimarse o asfixiarse hasta morir.
- Deseche el material de empaque de este producto de forma tal que no resulte nocivo para el medio ambiente.
- Asegúrese de que ninguno de los tubos que se encuentran en la parte trasera del refrigerador estén dañados antes de desecharlos.
- Se utiliza R-600a o R-134a como refrigerante. Mire la etiqueta del compresor en la parte posterior del electrodoméstico o la etiqueta de voltaje dentro del refrigerador para constatar qué refrigerante fue utilizado en su refrigerador. Si este refrigerador contiene gas inflamable (Refrigerante R-600a), comuníquese con las autoridades locales para desechar este producto en forma segura.
- Cuando deseche este refrigerador, retire los burlletes y los pestillos de las puertas de manera tal que los niños pequeños o los animales no puedan quedar atrapados en el interior. Se deberá vigilar a los niños para asegurarse de que no jueguen con el electrodoméstico.
 - Si quedan atrapados dentro, los niños pueden lesionarse o sofocarse hasta morir.
- Se utiliza ciclopentano como aislante. Los gases del material de aislamiento requieren un procedimiento especial para desecharlos. Comuníquese con las autoridades locales para desechar este producto de manera que no resulte nocivo para el medio ambiente.
- Mantenga los materiales de empaque fuera del alcance de los niños, ya que pueden ser peligrosos para ellos.
 - Si un niño se coloca una bolsa en la cabeza, puede asfixiarse.



Información sobre seguridad

1. Aviso regulatorio

1.1 Aviso de la FCC (Federal Communications Commission)

PRECAUCIÓN de la FCC:

Todos los cambios y modificaciones que no cuenten con la aprobación expresa de la parte responsable del cumplimiento pueden invalidar la autoridad del usuario para operar el equipo.

Contiene módulo transmisor FCC ID: A3LWCM730Q

Este aparato cumple con la sección 15 de las Normas de la FCC. El funcionamiento se encuentra sujeto a las siguientes dos condiciones:

- (1) Este aparato no puede causar interferencia dañina y
- (2) Este aparato debe aceptar la recepción de cualquier interferencia, incluidas aquellas que causen un funcionamiento indeseado.

En los productos disponibles en los mercados de los Estados Unidos y Canadá, solo están disponibles los canales 1 a 11.

No es posible seleccionar otros canales.

DECLARACIÓN DE LA FCC:

Este equipo ha sido sometido a pruebas y se ha determinado que se encuentra dentro de los límites para los dispositivos digitales clase B, de acuerdo con la parte 15 de las Normas de la FCC. Dichos límites han sido diseñados para proporcionar una protección razonable contra la interferencia dañina en una instalación residencial.

Este equipo genera, utiliza y puede irradiar energía de frecuencias de radio y, si no se lo instala y utiliza de acuerdo con las instrucciones, pueden producirse interferencias en las comunicaciones de radio. Sin embargo, no existe garantía alguna de que no habrá interferencia en una instalación determinada. Si el equipo provoca interferencia dañina a la recepción de radio o televisión, que puede determinarse al encender y apagar el equipo, se sugiere que el usuario trate de corregir la interferencia mediante una o más de las siguientes medidas:

- Reorientar o reubicar la antena receptora
- Aumentar la distancia entre el equipo y el receptor
- Conectar el equipo en un tomacorriente que está en un circuito diferente que el receptor.
- Consultar a su distribuidor o a un técnico experimentado en radio/TV para obtener ayuda.

DECLARACIÓN DE LA FCC SOBRE LA EXPOSICIÓN A LA RADIACIÓN:

Este equipo cumple con los límites de exposición a la radiación establecidos por la FCC para un entorno no controlado.

Este equipo debe instalarse y utilizarse con una distancia mínima de 8 pulgadas (20 cm) entre el radiador y su cuerpo. Este aparato y sus antenas no deben ubicarse ni utilizarse junto con ninguna otra antena o transmisor excepto si se cumplen los procedimientos de la FCC para productos transmisores múltiples.



1.2 Aviso de la IC

Contiene módulo de transmisor IC: 649E-WCM730Q

El término "IC" antes del número de certificación de radio solo significa que cumple con las especificaciones técnicas de la Industria de Canadá. El funcionamiento se encuentra sujeto a las siguientes dos condiciones: (1) Este aparato no puede causar interferencia dañina, y (2) este aparato debe aceptar la recepción de cualquier interferencia, incluidas aquellas que puedan causar un funcionamiento indeseado. Este aparato digital Clase B cumple con el ICES-003 de Canadá.

Cet appareil numérique de la classe B est conforme à la norme NMB-003 du Canada.

En los productos disponibles en los mercados de los Estados Unidos y Canadá, solo están disponibles los canales 1 a 11. No es posible seleccionar otros canales.

DECLARACIÓN IC SOBRE LA EXPOSICIÓN A LA RADIACIÓN:

Este equipo cumple con los límites de exposición a la radiación establecidos por la IC RSS-102 para un entorno no controlado. Este equipo debe instalarse y utilizarse con una distancia mínima de 8 pulgadas (20 cm) entre el radiador y su cuerpo. Este aparato y sus antenas no deben ubicarse ni utilizarse junto con ninguna otra antena o transmisor excepto si se cumplen los procedimientos de la FCC para productos transmisores múltiples.

GUARDE ESTAS INSTRUCCIONES

Instalación

Siga estas instrucciones cuidadosamente para evitar accidentes y garantizar la instalación adecuada del refrigerador.

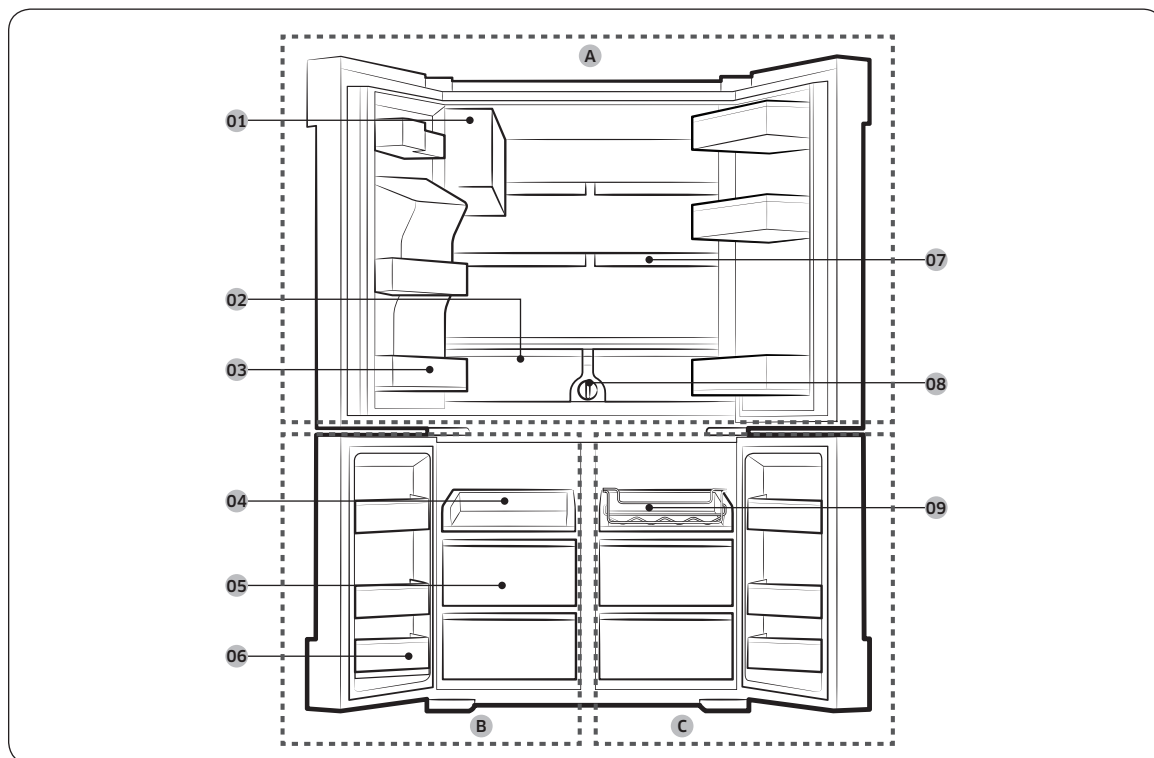
ADVERTENCIA

- Utilice el refrigerador solamente para su uso previsto como se describe en este manual.
- Todas las reparaciones deben estar a cargo de un técnico calificado.
- Descarte el material de empaque del producto de acuerdo con la normativa local.
- A fin de evitar descargas eléctricas, desenchufe el cable de alimentación antes de realizar trabajos de mantenimiento.

Descripción breve de su refrigerador

NOTA

El refrigerador y los componentes provistos de su refrigerador pueden diferir de las ilustraciones en este manual según el modelo y el país.



-
- | | | | |
|----|--|----|--------------|
| 01 | Fábrica de hielo automática (Ice Master) | A. | Refrigerador |
| 02 | Cajones de verduras y frutas frescas EZ | B. | Congelador |
| 03 | Guarda multiusos del refrigerador | C. | FlexZone |
| 04 | Estante corredizo accesible | | |
| 05 | Cajones de almacenamiento de carne y alimentos secos | | |
| 06 | Compartimientos de la puerta del congelador | | |
| 07 | Estante espacio rápido | | |
| 08 | Filtro de agua | | |
| 09 | Estante para vinos | | |

 **NOTA**

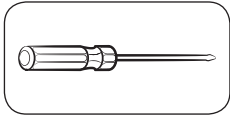
- Para una mayor eficiencia energética, asegúrese de que todos los estantes, cajones y canastos estén en su posición original.
- Al cerrar la puerta, asegúrese de que la sección de la bisagra vertical se encuentre en la posición correcta para impedir que se raye con la otra puerta.
- Si la sección de la bisagra vertical está invertida, colóquela en la posición correcta y cierre la puerta.
- Algunas veces puede aparecer humedad en esta sección de la bisagra vertical.
- Si cierra una puerta por la fuerza, la otra puerta puede abrirse.
- Cuando se abre la puerta, el disyuntor desactiva automáticamente el motor sinfín de la fábrica de hielo por razones de seguridad.
- Si la lámpara LED interna o externa no funcionan, comuníquese con un centro de servicio Samsung.

Instalación

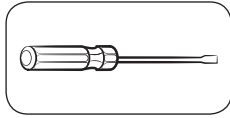
Extracción de la puerta para la entrada

Si el refrigerador no pasa por la entrada de su casa o de la cocina por una cuestión de tamaño, siga estas instrucciones para extraer y colocar nuevamente las puertas del refrigerador. Si no necesita retirar las puertas, vaya a la página 26 para obtener las instrucciones de instalación.

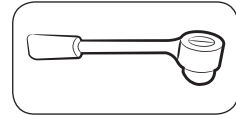
Herramientas necesarias (no provistas)



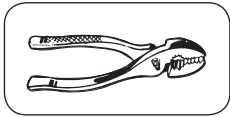
Destornillador de cabeza Phillips



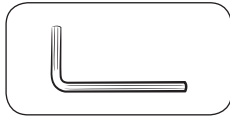
Destornillador plano



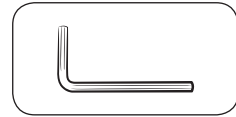
Llave de tubo (10 mm)



Pinzas

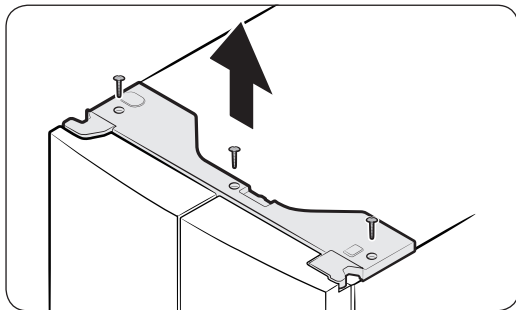


Llave Allen (4 mm)

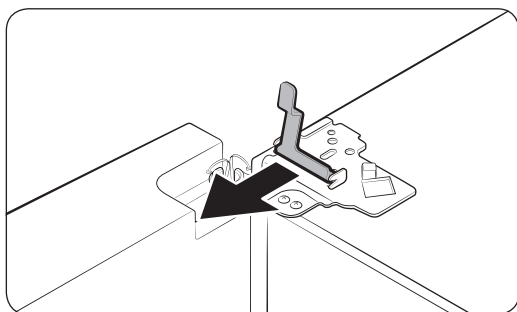
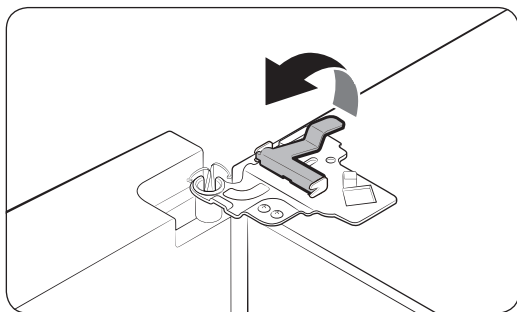
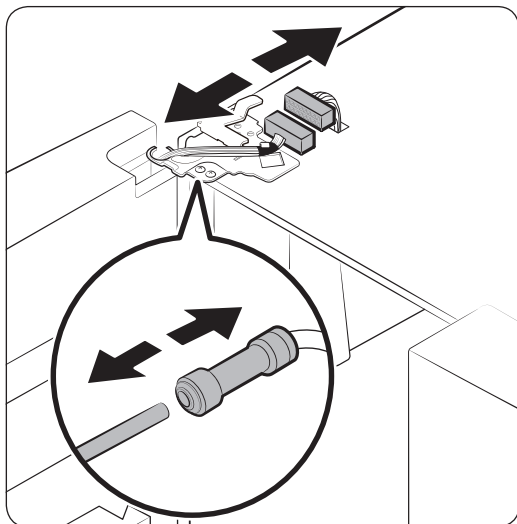


Llave Allen (5 mm)

Cómo retirar las puertas del refrigerador



1. Con la puerta cerrada, utilice un destornillador de cabeza Phillips para extraer los tornillos (x3) de la cubierta superior. Levante y retire la cubierta superior con los conectores.



2. Desconecte los dos conectores de cables de la puerta izquierda. La posición de los conectores varía entre modelos.

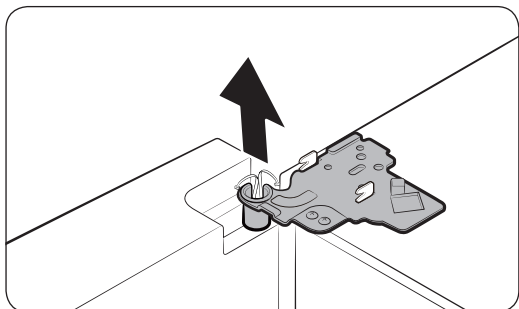
! PRECAUCIÓN

- No estriga ambas puertas simultáneamente. Asegúrese de retirar una puerta por vez. De lo contrario, podría caerse una o las dos y provocar lesiones.
 - Asegúrese de que el refrigerador esté apagado antes de desconectar los conectores.
3. Desconecte la tubería de agua del acoplador de la puerta izquierda como se ilustra.

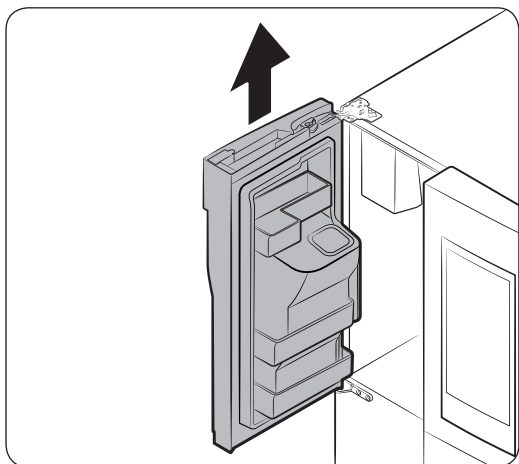
4. Levante suavemente la abrazadera en varios pasos. A fin de evitar lesiones en los dedos, no aplique fuerza repentinamente sobre la abrazadera.

5. Tire hacia arriba de la abrazadera para retirarla.

Instalación



6. Abra la puerta a 90 grados. Mientras sostiene la puerta, levante y retire la bisagra superior. Tenga cuidado de no dañar los cables de los conectores al retirar la bisagra.

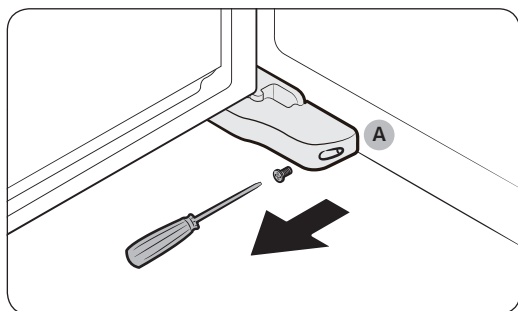


7. Suavemente levante la puerta en sentido vertical para retirarla. No use fuerza excesiva. La puerta puede caerse y provocarle lesiones.
8. Coloque la puerta en una superficie plana.
9. Repita los pasos anteriores para la otra puerta (excepto el paso 3). La puerta del lado derecho no tiene tubo de agua.

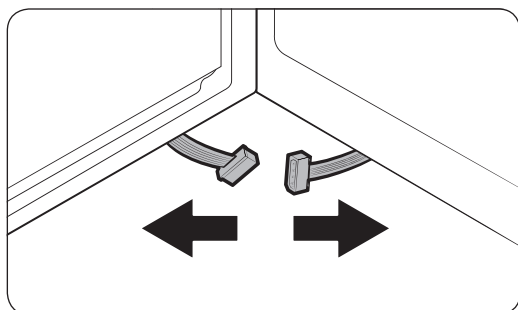
Cómo retirar las puertas del congelador

⚠ PRECAUCIÓN

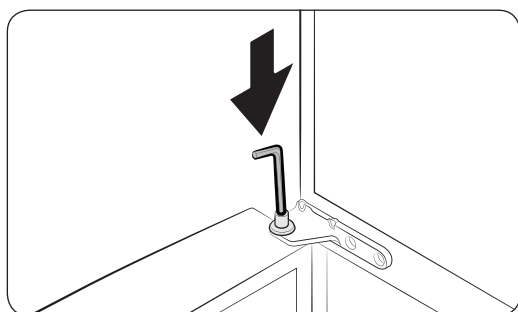
- Asegúrese de retirar las puertas del refrigerador antes de retirar las puertas del congelador.
- Tenga cuidado al desconectar los conectores inferiores.



1. Con la puerta del congelador abierta, use un destornillador de cabeza Phillips para retirar el tornillo sosteniendo la **cubierta (A)** de la pata ajustable.

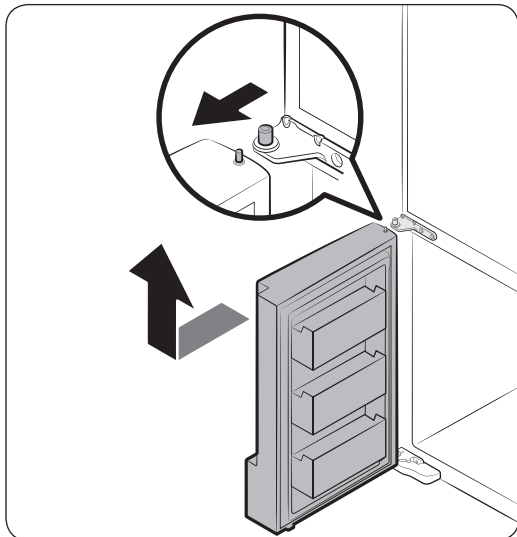


2. Desconecte los conectores de cables.



3. Ubique el eje de la bisagra. Mientras sostiene la puerta con una mano, utilice un destornillador plano o llave para presionar el eje hacia abajo. Asegúrese de sostener la puerta para evitar que se caiga.

Instalación

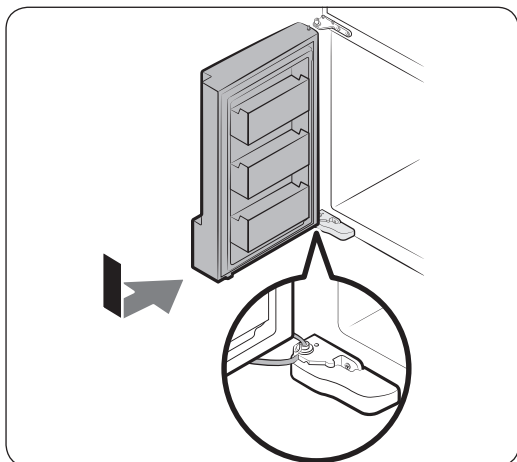


4. Para evitar el contacto con la bisagra central, incline levemente la puerta hacia el frente y luego levántela para retirarla.
5. Repita los pasos anteriores para la otra puerta.

Cómo colocar nuevamente las puertas del congelador

⚠ PRECAUCIÓN

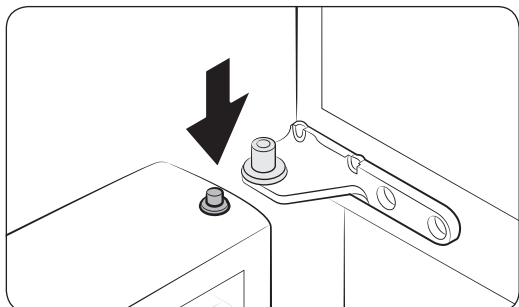
- Antes de colocar nuevamente las puertas, asegúrese de que todos los conectores eléctricos estén conectados adecuadamente.
- La puerta del congelador debe colocarse nuevamente antes la puerta del refrigerador.
- Tenga cuidado de no dañar ni pisar los cables durante este proceso.



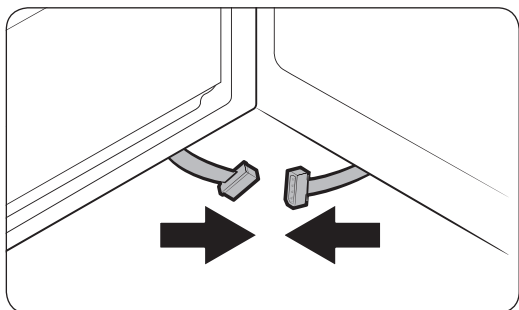
1. Inserte la puerta del congelador en la bisagra inferior mientras empuja la puerta del congelador en la dirección de la flecha.

⚠ PRECAUCIÓN

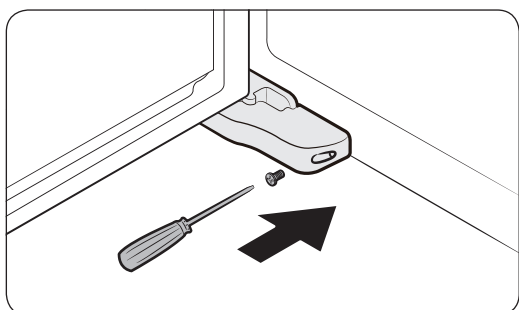
- Tenga cuidado de no dañar ni pisar los cables durante este proceso.



2. Mientras mantiene presionado el eje de la bisagra, coloque la puerta de manera que el eje de la bisagra quede por debajo del orificio del eje de la bisagra del medio. Sulte el eje de la bisagra para que entre en el orificio.



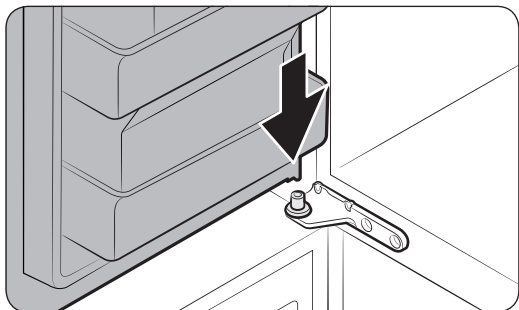
3. Con la puerta abierta, conecte los conectores inferiores en las direcciones de las flechas.



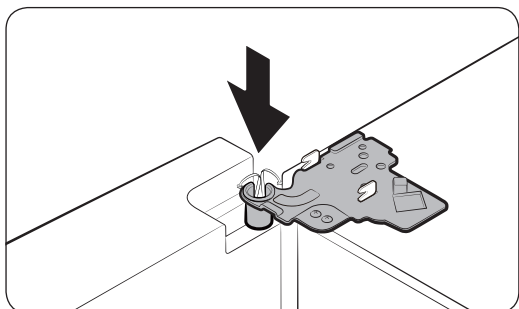
4. Coloque la cubierta de la pata de nivelación con un destornillador de cabeza Phillips. Tenga cuidado de no dañar ni pisar los conectores.
5. Repita los pasos anteriores para la otra puerta.

Instalación

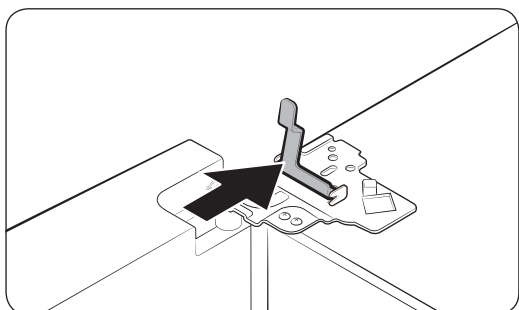
Cómo colocar nuevamente las puertas del refrigerador



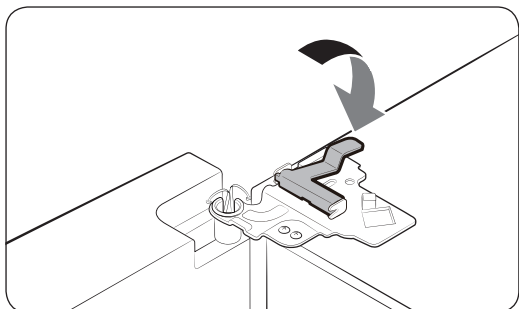
1. Mientras sostiene la puerta abierta a más de 90 grados, inserte el eje de la bisagra del medio en el orificio de la parte inferior de la puerta.



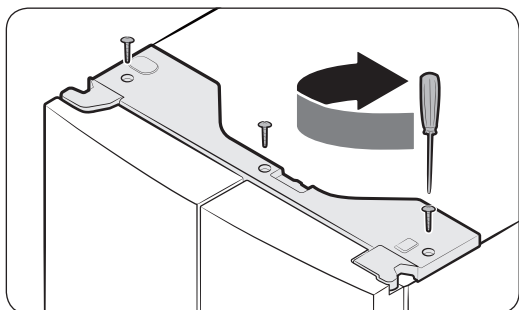
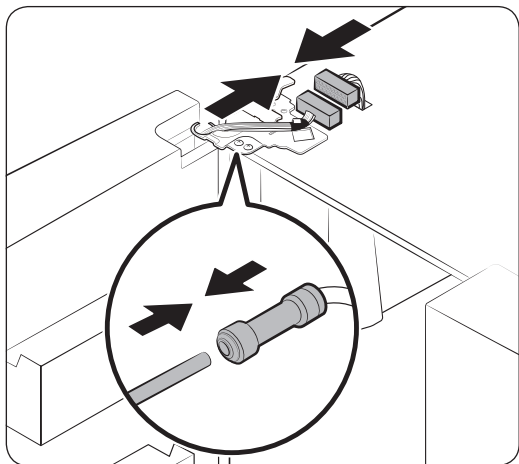
2. Coloque la bisagra superior en su posición en la parte superior del refrigerador y luego inserte el eje de la bisagra en el orificio superior de la puerta. Asegúrese de que los cables de la puerta pasen a través del orificio del eje de la bisagra.



3. Inserte la abrazadera en la dirección de la flecha.



4. Lleve la abrazadera hacia atrás como se ilustra.



5. Conecte los conectores de cables.

⚠ PRECAUCIÓN

- Asegúrese de que los conectores de cables estén conectados adecuadamente. De lo contrario, el visor no funcionará.

6. Conecte el tubo de agua.

⚠ PRECAUCIÓN

- Para evitar pérdidas de agua, asegúrese de que las grapas rojas ajusten el acoplador adecuadamente.
- Mantenga las grapas fuera del alcance de los niños.

7. Repita los pasos anteriores para la otra puerta, excepto el paso 6. En la puerta del lado derecho no hay tubo de agua.

8. Coloque la cubierta superior con el lado frontal primero y luego presione la parte posterior hasta alcanzar su posición. Luego, ajuste los tornillos (x3).

Instalación

Instalación paso a paso

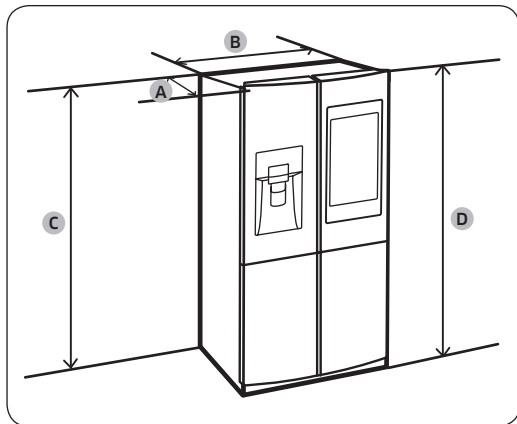
PASO 1 Seleccione un lugar

El lugar debe:

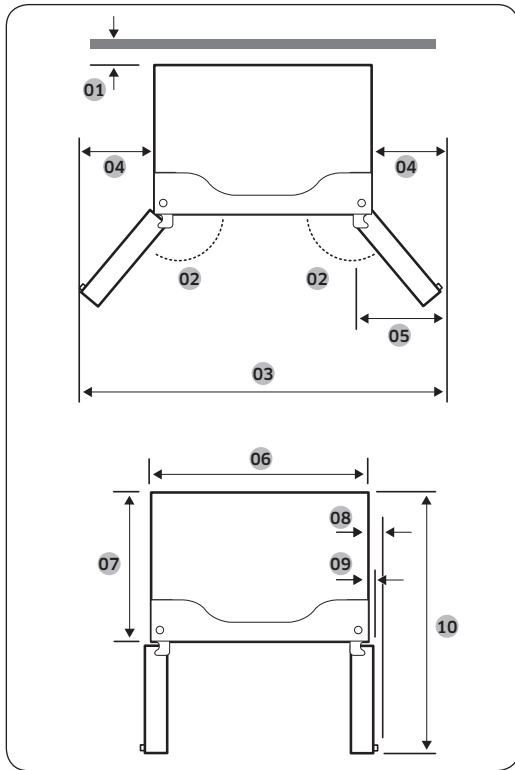
- Tener una superficie sólida, nivelada sin alfombrado ni pisos que puedan obstruir la ventilación
- Estar fuera del alcance de la luz solar directa
- Contar con el lugar adecuado para abrir y cerrar la puerta
- Estar alejado de las fuentes de calor
- Contar con lugar para realizar mantenimiento y reparaciones
- Contar con un rango de temperatura de entre 50 °F (10 °C) y 110 °F (43 °C)

Espacio libre

Consulte las imágenes y la tabla que aparecen a continuación y en la siguiente página para conocer los requisitos de espacio de instalación.



Modelo	RF22M*	RF28M*
Profundidad "A"	28 ⁷ / ₈ " (733 mm)	34 ¹ / ₄ " (871 mm)
Ancho "B"	35 ³ / ₄ " (908 mm)	35 ³ / ₄ " (908 mm)
Altura "C"	70 ³ / ₄ " (1797 mm)	70 ³ / ₄ " (1797 mm)
Altura total "D"	71 ⁷ / ₈ " (1825 mm)	71 ⁷ / ₈ " (1825 mm)



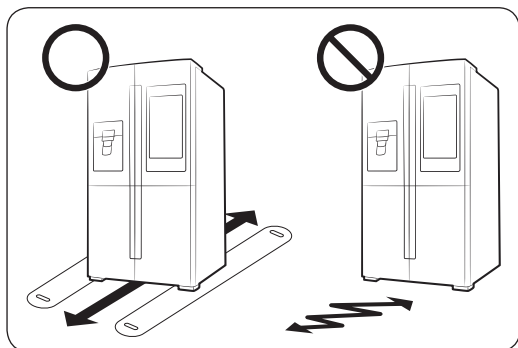
	RF22M*	RF28M*
01	2" (50 mm)	2" (50 mm)
02	125°	125°
03	59 5/8" (1515 mm)	59 5/8" (1515 mm)
04	11 7/8" (303 mm)	11 7/8" (303 mm)
05	12" (305 mm)	12" (305 mm)
06	35 3/4" (908 mm)	35 3/4" (908 mm)
07	24" (610 mm)	29 3/8" (748 mm)
08	2 3/4" (70 mm)	2 3/4" (70 mm)
09	1 3/4" (43 mm)	1 3/4" (43 mm)
10	42 5/8" (1083 mm)	48 1/8" (1221 mm)

NOTA

Las medidas de su refrigerador pueden diferir de las que figuran anteriormente, dependiendo el método de medición.

Instalación

PASO 2 Piso



- La superficie del lugar de instalación debe soportar un refrigerador completamente cargado.
- A fin de proteger el piso, coloque un trozo de cartón debajo de las patas del refrigerador al moverlo para realizar la instalación.
- Para proteger el piso una vez que el refrigerador esté en su posición final, no lo mueva a menos que sea necesario. Si debe hacerlo, utilice un papel grueso o tela, como una alfombra vieja, en el recorrido por el que se lo desplazará.

NOTA

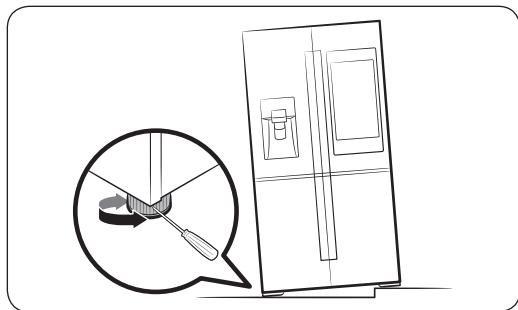
Si el refrigerador no pasa por la entrada de su casa o cocina por su tamaño, consulte la sección **Extracción** de la puerta para la entrada en la página 18.

PASO 3 Ajuste las patas de nivelación

PRECAUCIÓN

- Una vez instalado, el refrigerador debe estar nivelado sobre un piso plano y sólido. No nivelar el refrigerador puede provocar daños al refrigerador o lesiones personales.
- La nivelación debe realizarse con el refrigerador vacío. Asegúrese de que no haya alimentos dentro del refrigerador.
- Por razones de seguridad, ajuste la parte delantera de manera que quede más elevada que la parte trasera.

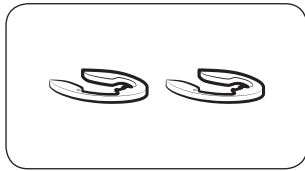
Nivele el refrigerador usando los tornillos especiales (niveladores) en las patas delanteras. Use un destornillador plano para girar los niveladores.



- Para ajustar la altura del lado izquierdo: Inserte un destornillador plano en el nivelador de la pata delantera del lado izquierdo. Gire el nivelador en el sentido de las agujas del reloj para elevarlo o en el sentido contrario para bajarlo.
- Para ajustar la altura del lado derecho: Inserte un destornillador plano en el nivelador de la pata delantera del lado derecho. Gire el nivelador en el sentido de las agujas del reloj para elevarlo o en el sentido contrario para bajarlo.

Instalación

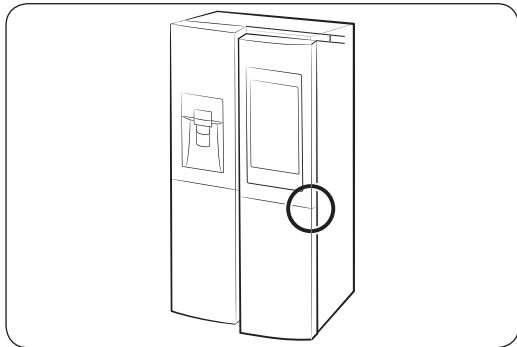
PASO 4 Ajustar la altura de la puerta así como también el espacio de la puerta



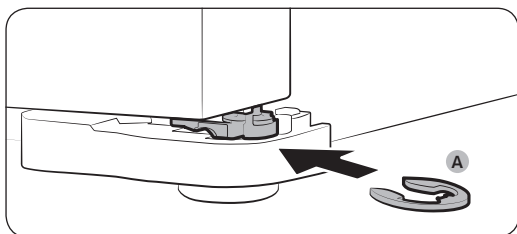
Anillo elástico

Es posible ajustar la altura de la puerta mediante los anillos elásticos provistos que vienen en 4 tamaños diferentes (1 mm, 1.5 mm, 2 mm y 2.5 mm).

Para ajustar la altura de una puerta



1. Controle la diferencia de altura entre las puertas y luego eleve y sostenga la puerta más baja.

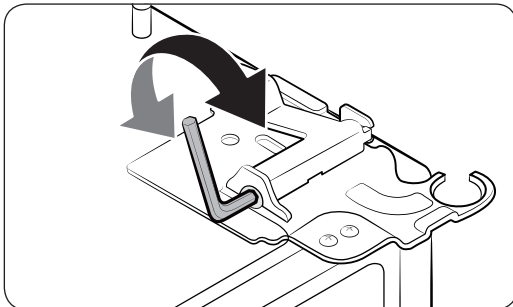
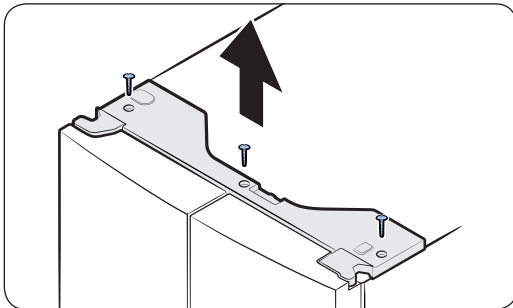
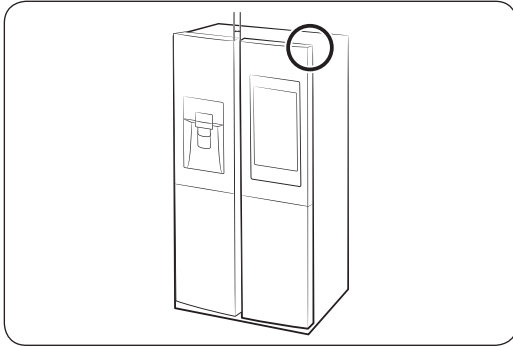


2. Inserte un **anillo elástico (A)** del tamaño adecuado entre la puerta y la bisagra como se ilustra.

⚠ PRECAUCIÓN

- Inserte solo un anillo elástico. Colocar dos o más anillos elásticos puede hacer que se deslicen o hagan ruido por el rozamiento.
- Mantenga los anillos elásticos fuera del alcance de los niños y consérvelos para uso futuro.
- No eleve la puerta en demasía. La puerta puede entrar en contacto y dañar la cubierta superior.

Para corregir el espacio de la puerta



El espacio entre las puertas puede corregirse mediante un tornillo separador colocado en el ángulo superior derecho del refrigerador.

1. Con la puerta cerrada, utilice un destornillador de cabeza Phillips para extraer los 6 tornillos de la **cubierta superior**. Luego, retire con cuidado la **cubierta superior** junto con los conectores de cables.
2. Use una **llave Allen** de 4 mm (no provista) para corregir el espacio entre las puertas.
 - Para ampliar el espacio, gire el tornillo separador en el sentido de las agujas del reloj.
 - Para achicar el espacio, gire el tornillo separador en el sentido contrario al de las agujas del reloj.
3. Luego, vuelva a insertar en su lugar la cubierta superior y los tornillos que la sujetan.

PRECAUCIÓN

Los conectores eléctricos deben permanecer intactos durante este proceso. Tenga la precaución de no enredar los cables conectores ni pelar el recubrimiento.

Instalación

PASO 5 Conectar la tubería del dispensador de agua

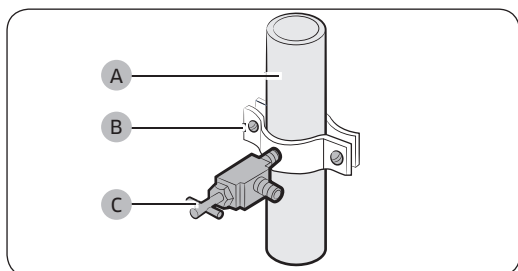
El dispensador de agua con filtro es una de las funciones útiles de su nuevo refrigerador. Con el fin de promover la buena salud, el filtro de agua elimina las partículas no deseadas del agua. No obstante, no la esteriliza ni destruye los microorganismos. Para eso, necesita adquirir un sistema de purificación de agua. La tubería del agua también se conecta a la fábrica de hielo. Para que la fábrica de hielo funcione correctamente, se necesita una presión de agua de 20-125 psi.

Si el refrigerador se instala en una zona con baja presión de agua (inferior a los 20 psi), puede instalar una bomba cebadora para compensar la baja presión.

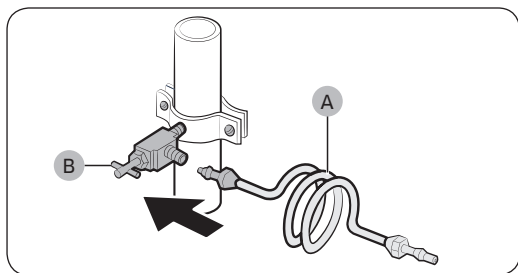
Una vez conectada la tubería de agua, asegúrese de que el tanque de almacenamiento de agua dentro del refrigerador esté lleno. Para hacerlo, presione la palanca del dispensador hasta que salga el agua.

NOTA

- Su distribuidor podrá ofrecerle los equipos de instalación de tuberías de agua disponibles a un costo adicional. Recomendamos utilizar un equipo de instalación de tubería de agua que contenga tubería de cobre y una tuerca de compresión de 6 mm (1/4").
- Utilice solo las mangueras nuevas provistas con el electrodoméstico. No reutilice las mangueras antiguas.



1. Cierre el suministro de agua principal.
2. Inserte la abrazadera (B) y la válvula de cierre (C) en la tubería de agua fría (A).

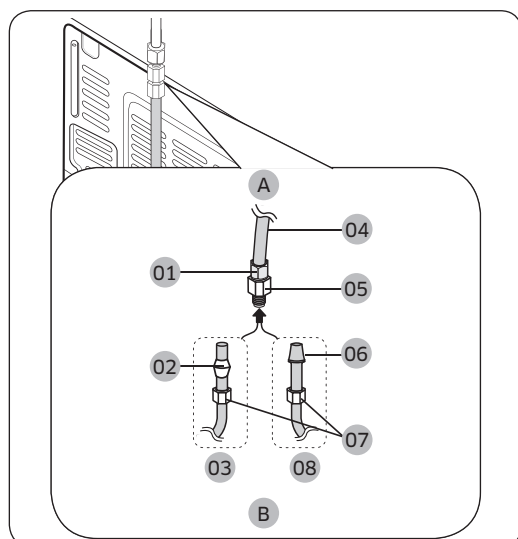


3. Conecte el equipo de instalación de la tubería de agua (A) a la válvula de cierre (B).

Conecte la tubería de suministro de agua al refrigerador

Para llevar a cabo la conexión, necesita adquirir varios elementos. Posiblemente su ferretería local los venda todos juntos en un equipo.

Tubería de cobre	<ul style="list-style-type: none">• Tubería de cobre de 1/4"• Tuerca de compresión de 1/4" (1)• Férula (2)
Tubería de plástico	<ul style="list-style-type: none">• Tubería de plástico de 1/4" → Extremo moldeado (bulbo)• Tuerca de compresión (1) de 1/4"



- A. Refrigerador
- B. Tubería de suministro del agua corriente
- 01 Tuerca de compresión (1/4") (ensamblada)
- 02 Férula (No provista)
- 03 Tubería de cobre (no provista)
- 04 Tubería de plástico (ensamblada)
- 05 Acople de compresión (ensamblado)
- 06 Extremo moldeado (bulbo)
- 07 Tuerca de compresión (B) (1/4") (no provista)
- 08 Tubería de plástico (A) (no provista)

1. Conecte la tubería de agua corriente al acople de compresión ensamblado.
 - Si utiliza una tubería de cobre, deslice la **tuerca de compresión (B)** (no provista) y la **férula** (no provista) por la tubería de cobre (no provista) como se muestra en el gráfico.
 - Si utiliza una tubería de plástico (A), inserte el extremo moldeado (bulbo) de la tubería de plástico (A) en el acople de compresión.

PRECAUCIÓN

Si utiliza una tubería plástica, (A) no la use sin el extremo moldeado (Lámpara).

2. Ajuste la **tuerca de compresión (B)** sobre el **acople de compresión**. No ajuste demasiado la **tuerca de compresión (B)**.
3. Abra el agua y verifique si hay alguna fuga. Si encuentra gotas o fugas de agua en las zonas de las conexiones, cierre el suministro de agua principal. Revise las conexiones y, de ser necesario, ajústelas.
4. Haga correr 1 galón de agua a través del filtro antes de beber o de utilizar el agua del refrigerador. (El agua debe correr unos 6 minutos.) Para hacer correr el agua, presione la palanca del dispensador de agua con un vaso o una taza grandes. Llene el vaso, vacíelo y luego repita la operación.

Instalación

5. Tras poner en funcionamiento el refrigerador, deje que la fábrica de hielo haga hielo durante 1 o 2 días. Pasado este tiempo, deseche las primeras 1 o 2 cubetas de hielo para asegurarse de que se hayan eliminado todas las impurezas de la tubería de agua.

NOTA

Conecte solamente la tubería de agua a una fuente de agua potable.

- Si debe reparar o desensamblar la tubería de agua, recorte $\frac{1}{4}$ " de la tubería de plástico para asegurarse de que la conexión sea perfecta y libre de pérdidas.
- Puede probar rápidamente la tubería del agua con un vaso de papel. En condiciones normales, el dispensador de agua puede llenar un vaso de 5 $\frac{3}{4}$ oz. (170 cc) en aproximadamente 10 segundos.

PASO 6 Configuración inicial

Después de finalizar los siguientes pasos, refrigerador quedará en perfectas condiciones de funcionamiento.

1. Enchufe el cable de alimentación al tomacorriente para encender el refrigerador.
2. Abra la puerta y verifique que la luz interna se encienda.
3. Coloque la temperatura en el valor más frío y espere una hora. Luego, el congelador comenzará a enfriarse y el motor funcionará adecuadamente.
4. Espere a que el refrigerador llegue a la temperatura configurada. Ahora el refrigerador está listo para usar.

PASO 7 Verificación final

Una vez finalizada la instalación, confirme que:

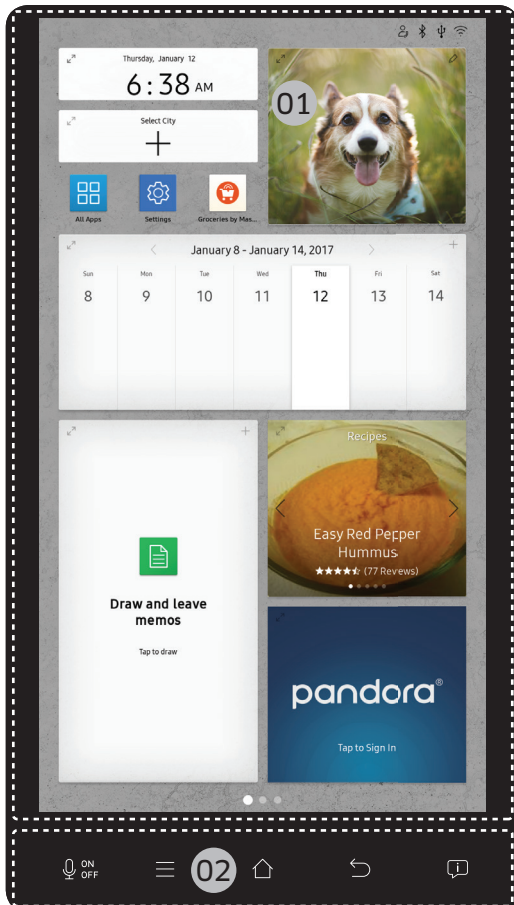
- El refrigerador esté enchufado al tomacorriente y correctamente conectado a tierra.
- El refrigerador esté instalado sobre una superficie plana y nivelada con un espacio libre adecuado con respecto a la pared o el gabinete.
- El refrigerador esté nivelado y apoyado firmemente en el piso.
- La puerta se abre y cierra libremente y la luz interior se enciende automáticamente al abrir la puerta.

Funcionamiento

Interfaz del usuario

NOTA

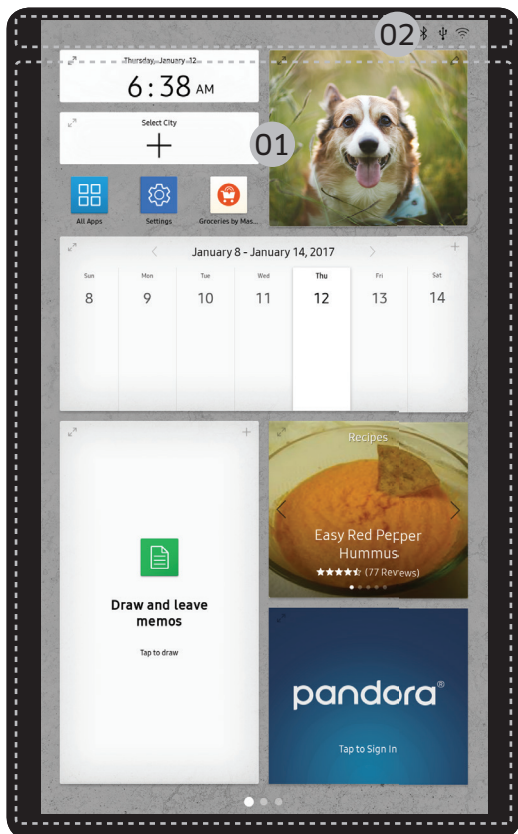
- Para obtener una información detallada de las funciones y aplicaciones del refrigerador, consulte el manual de usuario en pantalla disponible en el visor LCD de su refrigerador.
- El contenido de las aplicaciones y widgets, así como su diseño, están sujetos a modificaciones. El soporte técnico para aplicaciones y widgets puede interrumpirse sin aviso dependiendo de la política del proveedor de contenidos.
- El uso de funciones del refrigerador, aplicaciones y servicios por parte de los niños debe ser supervisado por adultos.
- Las aplicaciones PANDORA solo están disponibles en los Estados Unidos.



- 01 Pantalla de Inicio
- 02 Barra de tareas

Funcionamiento

01 Pantalla de Inicio



01 Aplicaciones y widgets

- Toque la aplicación o el widget deseado para iniciarlo.
- Mantenga presionada la aplicación o el widget para ingresar al modo de edición. Aparece una cuadrícula. En el modo Editar, puede arrastrar y soltar una aplicación o un widget en una nueva ubicación de la cuadrícula. Cuando desplaza una aplicación o un widget a una nueva ubicación de la cuadrícula, la ubicación se vuelve azul si está disponible. Si no está disponible, se vuelve roja.
- Puede agregar una aplicación o widget que se borró de la lista de todas las aplicaciones.

02 Barra de estado

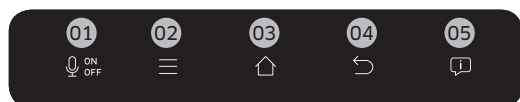
- **Bluetooth** (⌘): Indica el estado de la conexión Bluetooth.
- **USB** (ψ): Indica el estado de la conexión USB.
- **Gestión remota** (👤): Se enciende cuando la gestión remota está activada y en ejecución.

📄 NOTA

El refrigerador admite memorias USB con el formato de los sistemas de archivos FAT32 o exFAT. No se admite NTFS. Asegúrese de convertir NTFS a FAT32 o exFAT antes del uso.

- **Red** (📶): Indica el estado de la conexión de red en 5 niveles (Apagado, 1 a 4)

02 Barra de tareas

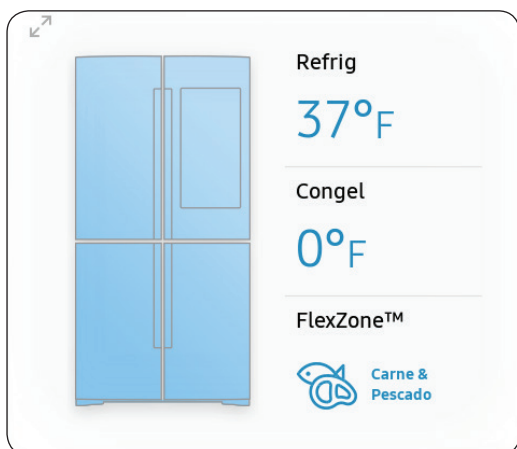


01 Micrófono	Toque para activar o desactivar la función de reconocimiento de voz. El ícono del micrófono se pone rojo cuando está apagado.
02 Menú	Toque para mostrar los menús disponibles.
03 Inicio	<ul style="list-style-type: none">• Toque para abrir la pantalla de Inicio.• Mantenga presionado para abrir el Administrador de tareas. Consulte la sección Administrador de tareas para obtener más detalles.
04 Regresar	Toque para regresar a la pantalla anterior.
05 Notificación	Toque para mostrar el Panel rápido.

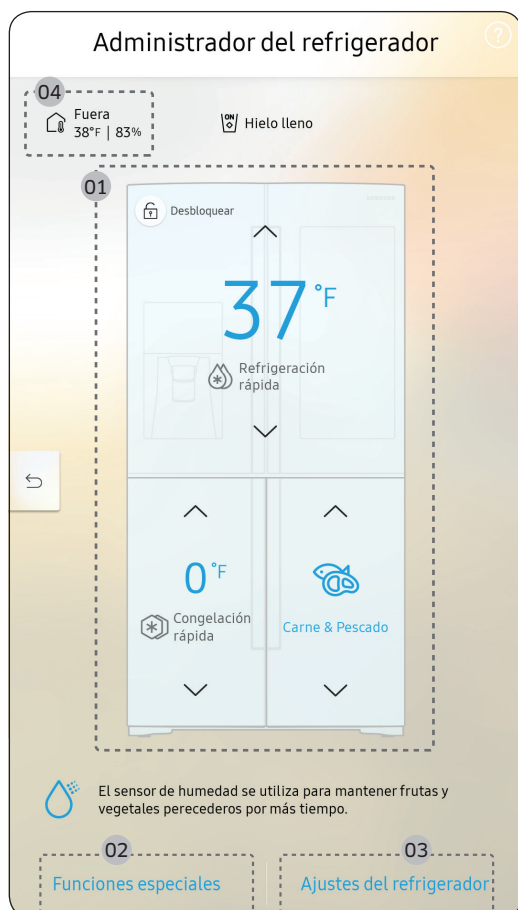
Funcionamiento

Administrador del refrigerador

Para acceder al Administrador del refrigerador, deslice el dedo por la pantalla de Inicio hacia la izquierda y, luego, toque el widget **Administrador del refrigerador**.



- En el widget Administrador del refrigerador, se muestran las temperaturas actuales del refrigerador y del congelador, así como las funciones especiales activas.
- Para ver ajustes detallados, toque el widget para abrir el Administrador del refrigerador.



El Administrador del refrigerador es una representación gráfica de su refrigerador. La mitad superior representa el compartimiento del congelador, la parte inferior izquierda el compartimiento del congelador y la parte inferior derecha la FlexZone. Los ajustes de temperatura o modo de cada una se muestran en la sección correspondiente.

Descripción breve del Administrador del refrigerador

01 Temperatura

Cambiar la temperatura del Refrig, Congel y FlexZone™. También permite encender o apagar la función Refrigeración rápida del refrigerador y la función Congelación rápida del congelador.

- La congelación rápida acelera el proceso de congelación con la velocidad máxima del ventilador. El congelador funciona a máxima velocidad durante varias horas antes de volver a la temperatura previa.
- Para congelar una gran cantidad de alimentos, active la congelación rápida como mínimo 20 horas antes de poner alimentos en el congelador.

NOTA

Utilizar la Congelación rápida aumenta el consumo energético. Asegúrese de desactivarla para que el congelador vuelva a su temperatura anterior si ya no necesita tenerla activada.

02 Funciones especiales

Ver una breve explicación de algunas funciones especiales del refrigerador.

03 Ajustes del refrigerador

Cambiar muchos de los ajustes del refrigerador, incluidos los de fabricación de hielo, Alarma de la puerta y unidad de temperatura (°F o °C). Vea la página siguiente para más detalles.

04 Condiciones externas

Muestra la temperatura y la humedad externas (ambiente).


Funcionamiento

NOTA

Las condiciones mostradas pueden diferir de la temperatura y la humedad reales.

NOTA

También se muestra el indicador **Hielo desactivado** (fabricación de hielo desactivada) en el centro de la parte superior. Cuando el indicador muestra **Hielo desactivado**, la fabricación de hielo de refrigerador se apaga.

Fabricación de hielo	Activa y desactiva la fabricación de hielo. Toque y arrastre el botón para activar o desactivar. Tenga en cuenta que si la cubeta de hielo está llena, el refrigerador no comenzará a fabricar hielo cuando arrastre el botón para activarla. En su lugar, muestra el indicador de hielo desactivado en la pantalla principal.
Bloqueo del dispensador	Activa y desactiva los dispensadores de hielo y agua. Toque y arrastre el botón para activar o desactivar.
Alarma de la puerta	La alarma de la puerta suena si se deja la puerta abierta. Toque y arrastre el botón para activar o desactivar.
Unidad de temperatura	Cambiar la unidad de temperatura entre Celsius y Fahrenheit. Toque °F o °C para cambiar la unidad de temperatura.
Filtro	Proporciona un tutorial sobre el reemplazo del filtro de agua y permite restablecer el indicador de reemplazo del mismo. Toque para abrir.  NOTA Después de instalar el filtro de agua, toque Filtro , y luego toque RESTABLECER . Al tocar RESTABLECER se reinicializa la función que mide el tiempo que falta para que sea necesario volver a reemplazar el filtro de agua.
Autoverificación	La autoverificación es una función de diagnóstico. Toque para abrir. Toque Inicio para ejecutar.
Respuesta a la demanda	Funciona con el administrador de ahorro de energía de Smart Grid. Toque para abrir. Toque y arrastre el botón para activar o desactivar. Consulte la sección Smart Grid de este manual para obtener más información.

Enfriamiento desactivado	<p>El modo Enfriamiento desactivado (también llamado modo Tienda), está diseñado para que lo usen los distribuidores cuando exhiben los refrigeradores en las tiendas.</p> <p>En el modo Enfriamiento desactivado, el motor del ventilador del refrigerador y las luces funcionan normalmente, pero los compresores no lo hacen, por lo tanto, el refrigerador y el congelador no se enfrían. Si Enfriamiento desactivado está activado, todos los controles de enfriamiento se apagarán en el Administrador del refrigerador.</p> <p>Toque y arrastre el botón para activar o desactivar.</p>
---------------------------------	--

Funcionamiento

Ajustes

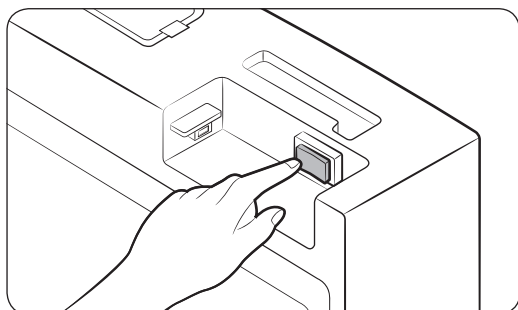
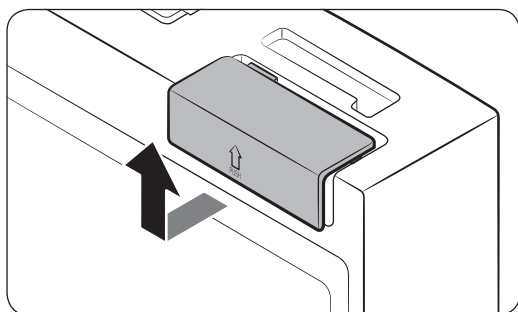
Visor	<ul style="list-style-type: none">Permite ajustar el brillo de la pantalla, fondos de pantalla, activación automática, detector de movimiento y el tema, la duración y la hora de inicio del protector de pantalla.
Sonido	<ul style="list-style-type: none">Permite ajustar el volumen y el ecualizador y activar o desactivar el sonido sensible al tacto.
Wi-Fi	<ul style="list-style-type: none">Encienda o apague una conexión Wi-Fi. La red de Wi-Fi actual aparece primera en la lista de puntos de acceso (PA)
Bluetooth	<ul style="list-style-type: none">Se muestra una lista de hasta 4 dispositivos Bluetooth emparejados recientemente.Para agregar un nuevo dispositivo cuando se muestran 4 dispositivos emparejados, primero desempareje un dispositivo emparejado desde la lista de dispositivos.Los dispositivos disponibles son audífonos, auriculares y altavoces compatibles con Bluetooth.
Voz	<ul style="list-style-type: none">Permite configurar el idioma y la función de voz y activar o desactivar los comentarios de voz y la activación por voz.
Perfil	<ul style="list-style-type: none">Permite agregar, editar o borrar un perfil.
Controles parentales	<ul style="list-style-type: none">Activa o desactiva las restricciones en las funciones y aplicaciones de Family Hub.
Idioma	<ul style="list-style-type: none">Seleccione el idioma preferido. Los idiomas disponibles dependen de la región de venta.
Fecha y hora	<ul style="list-style-type: none">Asegúrese de que la función Actualización automática de hora esté encendida con una conexión de red Wi-Fi adecuada. Abra la puerta del refrigerador y localice el botón para restablecer el visor en el lado interno de la puerta. Presione el botón y vuelva a presionarlo para restablecer el visor. Luego, la fecha y la hora serán sincronizadas por el servidor horario.Puede cambiar la zona horaria mediante el menú Zona horaria.
Acerca del dispositivo	<ul style="list-style-type: none">Asegúrese de que la función Actualización de software esté encendida con una conexión de red Wi-Fi adecuada.Cuando hay actualizaciones disponibles, se activa el botón Actualizar. Una vez finalizadas las actualizaciones, el refrigerador se reinicia automáticamente.La información legal muestra el acuerdo de licencia de código abierto. Toque el elemento de la lista para abrir el aviso de licencia de código abierto.
Conexión fácil	<ul style="list-style-type: none">Conexión fácil se puede utilizar con las aplicaciones de los teléfonos inteligentes Samsung y le permite conectar su dispositivo a la misma red Wi-Fi a la que está conectado el teléfono.

Autenticación del dispositivo	<ul style="list-style-type: none"> Autenticación del dispositivo se puede utilizar con las aplicaciones de Samsung Smart TV donde la información de privacidad del refrigerador se puede compartir con el televisor. La disponibilidad de esta función depende del modelo del dispositivo.
Modo Limpiar pantalla	<ul style="list-style-type: none"> Actívelo para limpiar la pantalla sin activar ninguna aplicación.
Accesibilidad	<ul style="list-style-type: none"> Ajústelo para activar o desactivar la función de lector de pantalla para usuarios invidentes o con problemas de visión.
Manual en línea	<ul style="list-style-type: none"> El manual en línea le guía por distintos menús y aplicaciones que el refrigerador proporciona directamente en el visor.
Restablecimiento de los datos de fábrica	<ul style="list-style-type: none"> Toque Restablecer para reiniciar el refrigerador en el modo de restablecimiento de los datos de fábrica. Todos los datos de usuario se eliminarán de forma permanente. Los datos que se eliminarán incluyen: información de cuenta, memos, fotos y ajustes del usuario. <p>⚠ PRECAUCIÓN</p> <p>Una vez finalizado el restablecimiento de fábrica, no se podrán recuperar los datos de usuario.</p>
Gestión remota	<ul style="list-style-type: none"> Utilice Gestión remota para permitir a un representante de servicio que diagnostique problemas a distancia y provea soluciones. La Gestión remota requiere una conexión Wi-Fi. El menú Gestión remota no aparece en los modelos que no admiten la Gestión remota.

Funcionamiento

Restablecimiento del visor (solo para los modelos correspondientes)

Si el visor no funciona correctamente, restablézcalo. Esto podría resolver el problema.



1. Abra la puerta derecha del refrigerador y localice la cubierta del interruptor en la esquina superior derecha de la puerta.
2. Empuje hacia arriba la cubierta para revelar el interruptor de encendido.
3. Apague el interruptor y vuelva a encenderlo.
4. Vuelva a colocar la cubierta del interruptor. Oirá un clic cuando la cubierta encaje en su lugar.

Samsung Connect

Instalación

Visite Google Play Store, Galaxy Apps o Apple App Store y busque “Samsung Connect”. Descargue e instale la aplicación Samsung Connect provista por Samsung Electronics en su dispositivo inteligente.

NOTA

- La aplicación Samsung Connect se ha diseñado para Android 6.0 (Marshmallow) o superior, o iOS 9.0 o superior y está optimizada para teléfonos inteligentes Samsung (series Galaxy S y Galaxy Note).
- Para obtener un desempeño mejorado, la aplicación Samsung Connect estará sujeta a cambios sin previo aviso o interrupción del soporte según la política del fabricante.
- Los sistemas de encriptación recomendados incluyen WPA/TKIP y WPA2/AES. No se admiten protocolos de autenticación Wi-Fi más nuevos o no estándar.
- Las redes inalámbricas pueden verse afectadas por los entornos de comunicación inalámbrica circundantes.
- Si su proveedor de servicios de Internet ha registrado la dirección MAC de su computadora o módem para identificación, su Samsung Smart Refrigerator puede dar error al conectarse a Internet. Si esto ocurre, comuníquese con su proveedor de servicios de Internet para recibir asistencia técnica.
- La configuración de firewall de su sistema de red puede impedir que su Samsung Smart Refrigerator acceda a Internet. Comuníquese con su proveedor de servicios de Internet para recibir asistencia técnica. Si el síntoma persiste, comuníquese con un centro de servicios Samsung local o el minorista.
- Para configurar el punto de acceso (PA) inalámbrico, consulte el manual de usuario del PA (enrutador).
- Los Samsung Smart Refrigerators son compatibles con Wi-Fi 2.4 GHz con los protocolos IEEE 802.11 b/g/n y Soft-AP. (Se recomienda IEEE 802.11n.)
- Los enrutadores Wi-Fi no autorizados pueden no conectarse con los Samsung Smart Refrigerators correspondientes.

Funcionamiento

Cuenta Samsung

Debe registrar su cuenta Samsung para utilizar la aplicación. Si no tiene una cuenta Samsung, siga las aplicaciones en pantalla de la aplicación para crear una cuenta Samsung.

Cómo comenzar

Encienda el dispositivo que desea conectar, abra la aplicación Samsung Connect en su teléfono y siga las instrucciones que figuran a continuación.

Si aparece un mensaje emergente que indica que se ha encontrado un nuevo dispositivo, toque **ADD NOW (AGREGAR AHORA)**.

Si no aparece el mensaje, toque el botón **+** y, en la lista de dispositivos disponibles, seleccione el dispositivo que desea conectar.

Si su dispositivo no se encuentra en la lista de dispositivos disponibles, agréguelo manualmente seleccionando primero el tipo de dispositivo y luego el modelo específico.

Siga las instrucciones para configurar su dispositivo.

1. Inicie sesión en su cuenta Samsung (si aún no lo ha hecho).
2. Agregue el dispositivo.
3. Verifique la conexión.
4. Busque una red Wi-Fi y conéctese.
5. Registre el dispositivo.
6. La configuración se ha completado. Su dispositivo aparecerá ahora como una tarjeta en la pantalla de Mis dispositivos.

Aplicación del refrigerador

Control integrado

Puede supervisar y controlar su refrigerador en su casa y estando de viaje.

- Toque el icono **Refrigerador** en Samsung Connect para abrir la página del refrigerador.
- Controle el estado de operación o las notificaciones de su refrigerador y luego modifique las opciones o parámetros si fuera necesario.

NOTA

Algunas opciones o parámetros del refrigerador pueden no estar disponibles para el control remoto.

Categoría	Sección	Descripción
Supervisión	Temperatura del refrigerador	Muestra la configuración actual de la temperatura del refrigerador.
	Temperatura del congelador	Muestra la configuración actual de la temperatura del congelador.
	Configuración de FlexZone™	Muestra la configuración de FlexZone™.
	Diagnóstico	Detecta funcionamientos anormales del refrigerador.
	Monitoreo de energía	Verifica el consumo de energía acumulado del refrigerador durante los últimos 180 días.
Funciones	Fabricación de hielo	Puede activar o desactivar esta función y verificar su configuración actual.
		También puede consultar el estado y avance de la fabricación de hielo.
	Refrigeración rápida	Puede activar o desactivar la función de refrigeración rápida y ver la configuración actual.
	Congelación rápida	Puede activar o desactivar la función de congelación rápida y ver la configuración actual.
Alarmas	Temperatura anormalmente elevada	Esta alarma se dispara cuando la temperatura del refrigerador, el congelador o FlexZone™ es demasiado elevada.
	Puerta abierta	Esta alarma se dispara si la puerta del refrigerador, del congelador o de FlexZone™ permanece abierta durante un período específico.
	Reemplazo del filtro de agua	Esta alarma le recuerda que es necesario reemplazar el filtro de agua.
Imagen interior		Puede ver el interior del refrigerador y saber cuándo debe reemplazar los alimentos.
Enlace a la aplicación Family Hub		Puede conectarse con la App Store y descargar la aplicación Refrigerator.

Funcionamiento

Función SMART GRID (respuesta a la demanda)

Cuando el refrigerador opera en modo SMART GRID (respuesta a la demanda), la función del refrigerador Energy Management (Gestión de energía) permite controlar el uso de energía o demorar algunas funciones para ahorrar dinero cuando el precio de la energía o la demanda son más elevados.

NOTA

- Se puede desactivar la función SMART GRID (respuesta a la demanda) en cualquier momento utilizando la función de activación/desactivación de la anulación.
- Para usar la función SMART GRID (respuesta a la demanda), se necesita un contrato aparte con la compañía de servicio eléctrico.

Además, para usar la función Smart Grid (respuesta a la demanda), debe registrar el servicio en su compañía de electricidad. La compañía debe tener un EMS (sistema de gestión de energía) compatible con SEP (perfil de energía inteligente).

Uso de la función SMART GRID (respuesta a la demanda)

Esta función controla los precios de la energía y la información de la demanda desde la compañía de servicio eléctrico y envía notificaciones al refrigerador para que ejecute tareas de alto consumo energético fuera de las horas pico cuando el costo y la demanda de la electricidad son menores.

Si el refrigerador recibe una señal de control de la compañía de servicio eléctrico, mostrará los niveles **DAL** (L3) ~ **TALR** (L4) en el visor del refrigerador y controlará el consumo energético de acuerdo con el nivel.

Condición de excepción: Las señales de control **DAL** y **TALR** de una compañía de servicio eléctrico funcionan mientras se mantiene el desempeño del producto.

Si el refrigerador recibe una señal SMART GRID (Respuesta de la demanda) (**DAL** o **TALR**), el refrigerador funcionará en modo Delay Appliance Load (Demora en la carga del aparato) o Temporary Appliance Load Reduction (Reducción temporal de la carga del aparato).

- Demora en la carga del aparato (L3): el refrigerador responde a una señal **DAL** proporcionando una reducción de carga moderada durante el periodo de demora. Esta función controla las funciones que consumen mucha energía, como el ajuste del sistema de enfriamiento, la ejecución del ciclo de descongelación y la fabricación de hielo.
 - El modo **DAL** se desactiva automáticamente pasado el periodo de tiempo establecido por la señal **DAL** (máx. 4.5 horas) o cuando se activa la función Override (Anular).
- Reducción temporal de la carga del aparato (L4): El refrigerador responde a una señal **TALR** reduciendo drásticamente la carga durante un corto periodo de tiempo. Esta función reduce el consumo de energía deteniendo el compresor y controlando las funciones que consumen mucha energía, como el ciclo de descongelación y la fabricación de hielo.)
 - El modo **TALR** (L4) se desactiva automáticamente pasado el periodo establecido (máx. 15 minutos) o cuando se activa la función Override (Anular). El modo se desactiva de inmediato y el refrigerador regresa al estado normal cuando la puerta se abre o cierra o se utiliza el dispensador.

Para verificar la dirección MAC

1. Toque el ícono **Ajustes** en la pantalla de Inicio.
2. Desplácese hacia abajo hasta **Acerca del dispositivo** y ábralo.
3. La pantalla muestra (entre otras cosas) la dirección MAC de Wi-Fi.

Modo de anulación

Cuando desee que el refrigerador ignore la señal SMART GRID (respuesta a la demanda) de la compañía de servicio eléctrico, puede activar el modo OVERRIDE (ANULAR).

Si activa el modo OVERRIDE (ANULAR), el refrigerador ignora la señal SMART GRID (respuesta a la demanda) y deja de estar controlado por la compañía de servicio eléctrico.

Activación y desactivación del modo de anulación

1. Toque el ícono **Administrador del refrigerador**.
2. En la parte inferior de la pantalla del administrador del refrigerador, toque el ícono **Ajustes del refrigerador**.
3. Toque **Respuesta a la demanda**.
4. Deslice el botón **Anulación de DAL/TALR** hasta la posición **ON** o **OFF**.

NOTA

- Como alternativa, puede activar o desactivar el modo OVERRIDE (ANULAR) mediante la aplicación Samsung Connect y la función de gestión de energía. Ver la página siguiente.

Funcionamiento

Uso de la función gestión de energía

La función de gestión de energía permite controlar y supervisar el estado del refrigerador Energy Management mediante la aplicación Samsung Connect para su comodidad.

NOTA

- Para usar las funciones del refrigerador Energy Management (Gestión de energía), en primer lugar debe instalar la aplicación correspondiente.
1. Estado de funcionamiento
 - Puede verificar los estados de DR y de Anulación.
 2. Informe del consumo de energía
 - Muestra el consumo de energía acumulado. Los datos del consumo de energía se actualizan cada 5 minutos.

NOTA

El informe del consumo de energía puede diferir de las especificaciones de consumo de energía del producto dependiendo del entorno de funcionamiento y de la cantidad y tipo de alimentos almacenados.

3. Capacidad de demora del descongelamiento
 - La función Capacidad de demora del descongelamiento ahorra energía demorando el descongelamiento hasta el tiempo especificado por el usuario. Se puede configurar el tiempo y esta función ahorrará energía durante el tiempo especificado en ciclos de 24 horas. Si no se establece la hora, funciona de acuerdo con la configuración de tiempo predeterminada. Las configuraciones de tiempo predeterminadas son las siguientes:
 - 6 am a 10 am: 1 de noviembre a 30 de abril.
 - 3 pm a 7 pm: 1 de mayo a 31 de octubre.

Para modificar la configuración de tiempo de la Capacidad de demora del descongelamiento

Puede cambiar la configuración de tiempo de la Capacidad de demora del descongelamiento en la aplicación.

Facilitación de acceso abierto a los requisitos del producto conectado

1. SGIP Open Standards (Smart Energy Profile 2.0 <http://www.csep.org/>)
 - Informe del consumo de energía
 - Respuesta a la demanda
2. Samsung OPEN API
 - Estado de funcionamiento, ajustes del usuario y mensajes
 - Estado de la fábrica de hielo: GET /icemaker/status/vs/0
 - Alarma de puerta abierta: GET /doors/vs/0
 - Estado DR: GET /drlc/vs/0
 - Capacidad de demora del descongelamiento
 - Establecer programación de la demora de descongelamiento: POST /defrost/reservation/vs/0?op=add
 - Obtener programación de la demora de descongelamiento: GET /defrost/reservation/vs/0
 - Borrar programación de la demora de descongelamiento: POST /defrost/reservation/vs/0?op=remove
 - Activar/desactivar demora de descongelamiento: POST /defrost/delay/vs/0

Funcionamiento

Recomendaciones relativas al reconocimiento de voz

Alrededor de la zona marcada como 'MIC' del visor del refrigerador hay un micrófono incorporado.

- Hable fuerte y claro hacia el micrófono incorporado a menos de 1 m del visor del refrigerador.
- Es posible que el reconocimiento de voz no se active a una distancia superior a 1 m o si el tono de voz es bajo.
- Hable con claridad y con un ritmo regular. Reduzca el ruido ambiental, como el del televisor de la sala.

Samsung Family Hub

Instalación

Visite Google Play Store, Galaxy Apps o Apple App Store y busque "Samsung Family Hub". Descargue e instale la aplicación Samsung Family Hub provista por Samsung Electronics en su dispositivo inteligente.

NOTA

- La aplicación Samsung Family Hub se ha diseñado para Android 4.4 (KitKat) o superior o iOS 8.0 o superior y está optimizada para teléfonos inteligentes Samsung (series Galaxy S y Galaxy Note).
- Para obtener un desempeño mejorado, la aplicación Samsung Family Hub estará sujeta a cambios sin previo aviso o a interrupción del soporte según la política del fabricante.
- Las redes inalámbricas pueden verse afectadas por los entornos de comunicación inalámbrica circundantes.
- Si su proveedor de servicios de Internet ha registrado la dirección MAC de su computadora o módem para identificación, su Samsung Smart Refrigerator puede dar error al conectarse a Internet. Si esto ocurre, comuníquese con su proveedor de servicios de Internet para recibir asistencia técnica.
- La configuración de firewall de su sistema de red puede impedir que su Samsung Smart Refrigerator acceda a Internet. Comuníquese con su proveedor de servicios de Internet para recibir asistencia técnica. Si el síntoma persiste, comuníquese con un centro de servicios Samsung local o el minorista.

Cuenta Samsung

Debe registrar su cuenta Samsung para utilizar la aplicación. Si no tiene una cuenta Samsung, siga las instrucciones en pantalla de la aplicación para crear una cuenta Samsung gratuita.

NOTA

Para conectar el teléfono inteligente y el refrigerador, registre su cuenta Samsung en **Ajustes → Perfiles**.

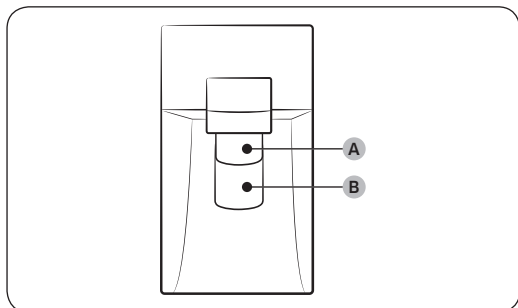
Sección	Descripción
Calendario	Puede compartir su programación con la familia.
Tarea pendiente	Puede crear y editar una lista de tareas pendientes de acuerdo con sus necesidades.
Memo	Puede crear y editar una nota para unos usuarios específicos.
Pizarrón blanco	Puede enviar el contenido de una pizarra creada desde el refrigerador al teléfono inteligente o viceversa.
Foto	Puede enviar fotos desde el teléfono inteligente al refrigerador.
View Inside	Puede verificar la visualización interna del refrigerador y usar distintas etiquetas para registrar los periodos específicos de almacenamiento propios de cada producto que le ayuden en su administración.
Shopping List	Puede crear y editar una lista de compras de acuerdo con sus necesidades.

Funcionamiento

Funciones especiales

Dispensador de agua

Con el dispensador de agua, puede obtener agua sin abrir la puerta del refrigerador.



El dispensador de agua ofrece 3 opciones: agua fría, hielo en cubo y hielo triturado.

Si no desea dispensar agua, simplemente presione la **palanca de agua (B)**.

Con la fábrica de hielo habilitada,

1. presione para seleccionar un tipo de hielo.
2. Coloque un vaso para agua en la **palanca de hielo (A)** y presiónela. El dispensador dispensa hielo.
3. Si desea agua, coloque el vaso en la **palanca de agua (B)** y presiónela. El dispensador dispensa agua.

NOTA

- Para obtener hielo y agua, empuje primero la **palanca de hielo (A)** para obtener hielo y a continuación mueva el vaso hacia abajo y empuje la **palanca de agua (B)** para obtener agua.
- Si presiona ambas palancas al mismo tiempo, funcionará únicamente la palanca presionada en primer lugar.
- A fin de evitar derrames, espere 1 segundo antes de retirar el vaso después de llenarlo.
- Asegúrese de que el vaso esté alineado con el dispensador para evitar que el agua se derrame.
- Si no utiliza el dispensador de agua durante 2 o 3 días, el agua dispensada puede presentar un sabor u olor extraño. No se trata de una falla del sistema. Descarte los primeros 1 o 2 vasos de agua.



Fábrica de hielo

El refrigerador cuenta con una fábrica de hielo incorporada que dispensa hielo automáticamente para que pueda disfrutar de agua filtrada con hielo en cubos o triturado.

Fabricación de hielo

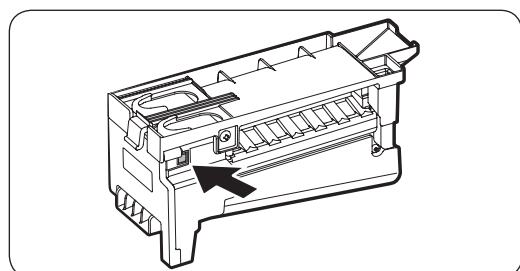
Una vez que haya instalado el refrigerador y lo haya enchufado, siga estas instrucciones a fin de asegurar la fabricación adecuada de hielo y de mantener la cubeta de hielo llena:

1. Permita que el refrigerador funcione durante al menos 24 horas sin dispensar hielo para asegurar un desempeño óptimo.
2. Sirva los primeros 4 a 6 cubos de hielo en un vaso.
3. Espere otras 8 horas y sirva otros 4 a 6 cubos de hielo.
4. Luego, espere otras 16 horas y sirva el primer vaso lleno de hielo.

NOTA

- Si consume todo el hielo de una vez, debe esperar 8 horas antes de servir los primeros 4 a 6 cubos. Esto garantiza que la cubeta de hielo se llene adecuadamente.
- Los cubos de hielo que se generan rápidamente pueden tener un aspecto blanquecino, lo cual es normal.

Diagnóstico



Si el hielo no sale, controle la fábrica de hielo.

Para controlar la fábrica de hielo

1. Presione **Prueba** sobre el lateral de la fábrica de hielo. Escuchará una señal sonora (campana) al presionar el botón.
2. Escuchará otra señal sonora si la fábrica de hielo funciona correctamente.

PRECAUCIÓN

- Si la señal sonora de fabricación de hielo suena repetidamente, comuníquese con el instalador de la tubería de agua o un centro de Servicios local Samsung.
- No presione el botón **Prueba** continuamente una vez que la charola de hielo esté llena de hielo o agua. El agua se puede desbordar o el hielo puede atascarse.
- No ponga alimentos en la cubeta de hielo. Los alimentos congelados pueden dañar la fábrica de hielo, en especial al abrir o cerrar la puerta.
- Cuando el refrigerador recupera el suministro eléctrico después de un corte, la cubeta de hielo puede contener una mezcla de cubos de hielo derretidos y pegados, lo que puede evitar que la fábrica de hielo funcione adecuadamente. A fin de evitar que suceda, asegúrese de vaciar la cubeta de hielo antes de volver a utilizar la fábrica de hielo.



Funcionamiento

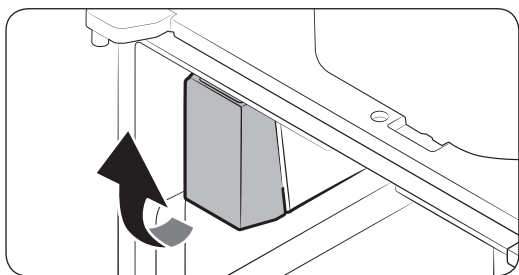
- No coloque los dedos ni otros objetos en la salida del dispensador o de la fábrica de hielo. Es posible que provoque lesiones o daños materiales.
- Cuando inserte nuevamente la charola de la fábrica de hielo, asegúrese de que esté bien centrada. De lo contrario, se podría trabar.

Fábrica de hielo desactivada

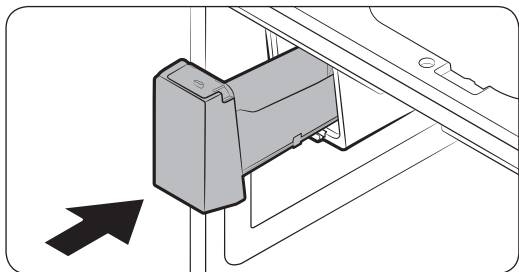
Para desactivar la fábrica de hielo, toque **Administrador del refrigerador > Ajustes del refrigerador > Fabricación de hielo** en la Pantalla de Inicio y seleccione **Off**. Asegúrese de vaciar la cubeta de hielo.

Los cubos de hielo restantes pueden pegarse y hacer que sea difícil retirarlos.

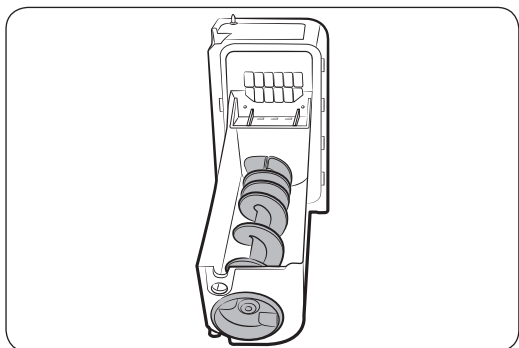
Para retirar la cubeta de hielo



1. Sostenga el fondo de la cubeta de hielo con una mano y el lateral con la otra.
2. Levante suavemente y tire hacia afuera.



3. Extraiga los cubos de hielo restantes y coloque la cubeta de hielo en su lugar.



Si la cubeta no entra, gire el tornillo de hélice 90 grados e inténtelo nuevamente.

NOTA

- La extracción de la cubeta de hielo no afecta el desempeño térmico y mecánico del refrigerador.

Turbidez del agua

El agua provista al refrigerador pasa por un filtro de centro alcalino. Durante el proceso de filtración, aumenta la presión del agua y esta se satura de oxígeno y nitrógeno. Esto hace que el agua parezca turbia temporalmente cuando se la sirve. Esto es normal y el agua aparecerá transparente después de unos segundos

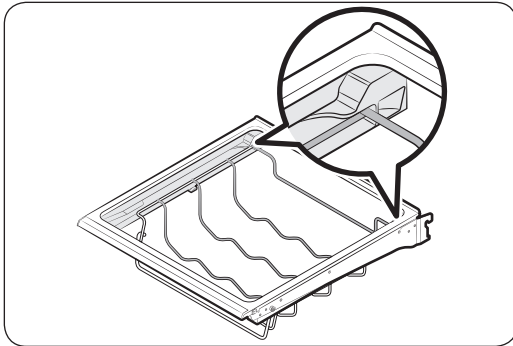
Estante para vinos

El refrigerador se suministra con un estante para vinos, que se puede ubicar en una de 3 posiciones: debajo del estante, en la guía del separador o encima del estante deslizante de la FlexZone. Las posiciones disponibles dependen del modelo.

PRECAUCIÓN

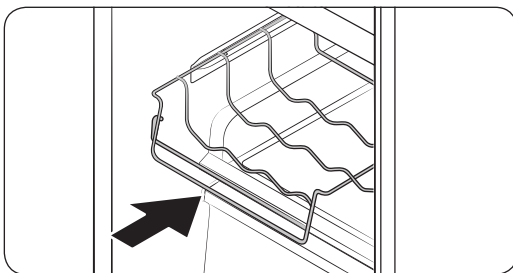
Cuando retire o inserte el estante para vinos, asegúrese de que esté vacío.

Debajo del estante



Inserte el estante para vinos debajo del estante del refrigerador. Asegúrese de insertarlo hasta el fondo, como se muestra en la figura.

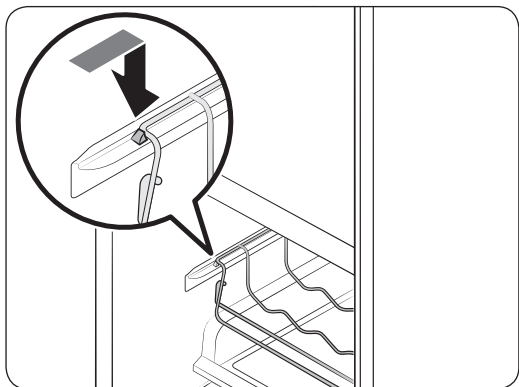
En la guía del separador



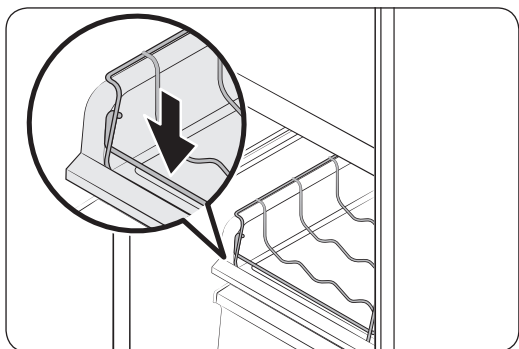
Inserte el estante para vinos en la guía del separador de la FlexZone.

- Asegúrese de que el frontal del estante para vinos encaje en la guía del separador del lado interno izquierdo de la FlexZone.
- Ajuste la temperatura de la FlexZone en **Vino blanco**.

Funcionamiento



En el estante deslizante



Inserte el estante para vinos en la parte superior del estante deslizante de la FlexZone, normalmente debajo de la guía del separador.

- Ajuste la temperatura de la FlexZone en **Vino blanco**.

PRECAUCIÓN

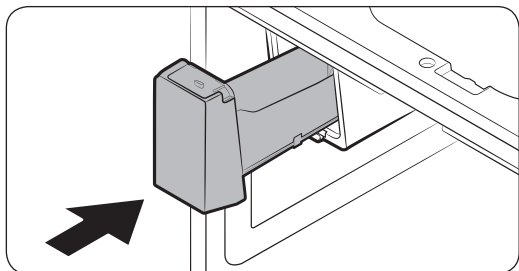
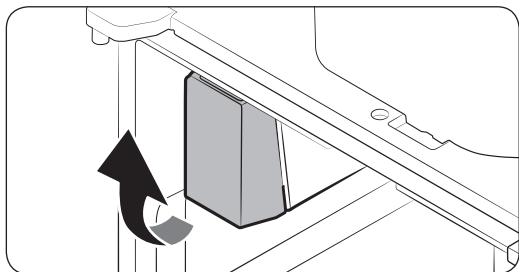
- No almacene botellas de vino en el congelador. Las botellas pueden congelarse y romperse y causar lesiones.
- No almacene botellas de vino en dos hileras. Las botellas pueden caer y causar lesiones.
- No almacene botellas de vino de más de 13 in (330 mm) de altura. Las botellas pueden romperse al cerrar la puerta y causar lesiones.

Mantenimiento

Manipulación y cuidado

Cubeta de hielo

Si no sirve hielo durante un período prolongado, el hielo puede apelmazarse en la cubeta. Si esto ocurriera, retire y vacíe la cubeta de la fábrica de hielo.



1. Para retirar la cubeta de hielo, levántela suavemente y tire hacia afuera mientras sostiene la parte inferior de la cubeta con una mano y el lado con la otra.
2. Vacíe la cubeta.
3. Una vez que haya finalizado, coloque la cubeta en su posición. Si la cubeta no entra, gire el tornillo de hélice 90 grados e inténtelo nuevamente.

⚠ PRECAUCIÓN

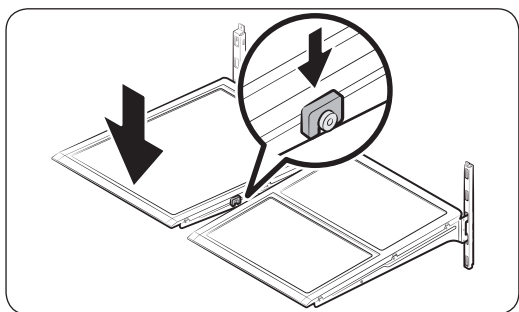
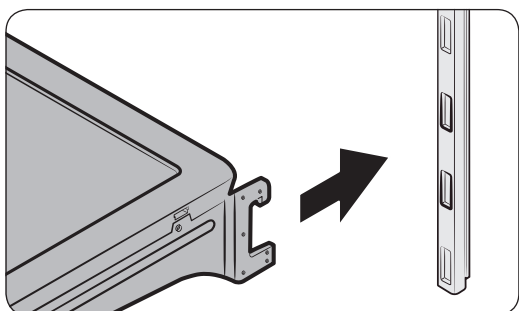
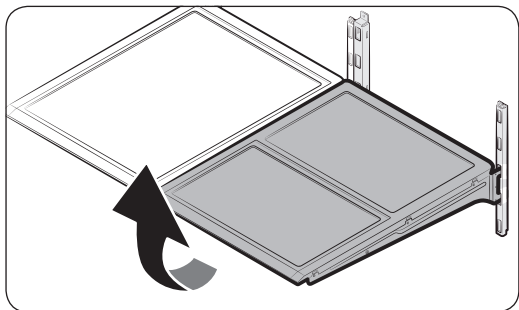
- No use fuerza excesiva sobre cubierta de la cubeta. La cubierta puede romperse.
- No cierre la puerta por la fuerza. Puede derramarse agua sobre la fábrica de hielo.
- Para evitar lesiones, asegúrese de limpiar el hielo o el agua que pueda haber caído en el suelo.
- A fin de evitar lesiones o accidentes, no permita que los niños jueguen con el dispensador de agua ni la fábrica de hielo.
- No coloque la mano o ni ningún objeto en el conducto de hielo. Es posible que provoque lesiones o daños al producto.
- Utilice únicamente la cubeta de hielo provista. Las cubetas de hielo de terceros pueden provocar una falla del sistema.
- Utilice únicamente agua potable conectada a la tubería de suministro de agua.

📄 NOTA

- La presión necesaria para la fabricación de hielo es de entre 20 psi y 125 psi.
- Los ruidos procedentes de la fábrica de hielo durante el proceso de fabricación son normales.
- Cuando la puerta esté abierta, ni la fábrica de hielo ni el dispensador de agua funcionan.

Mantenimiento

Estantes de vidrio templado (refrigerador)



- Para retirar un estante, abra la puerta correspondiente por completo. Sostenga la parte delantera del estante y luego levántelo suavemente y deslícelo hacia afuera.

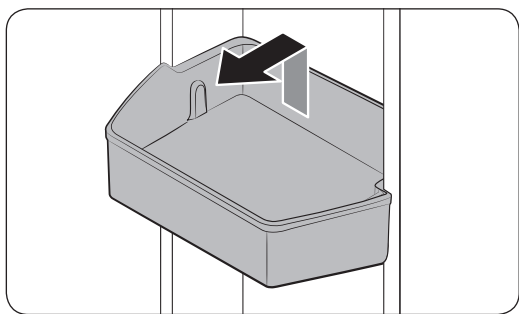
- Para insertarlo nuevamente, sostenga el estante en ángulo de modo que la parte frontal esté más elevada que la trasera y luego inserte el gancho superior en la muesca superior del estante. Luego, baje el estante e inserte el gancho inferior del estante en la muesca inferior del estante.

⚠ PRECAUCIÓN

- Los estantes de vidrio templado son pesados. Tenga cuidado al retirarlos.
- El estante debe insertarse correctamente. No lo coloque al revés.
- Los contenedores de vidrio pueden rayar la superficie de los estantes de vidrio.

Compartimientos de las puertas

La sección del compartimiento superior de la puerta cuenta con una línea marcada para garantizar el retiro y la re inserción adecuados.

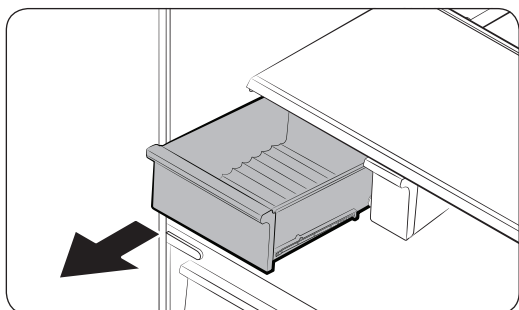


Levante el compartimiento de la puerta y luego tire en línea recta.

⚠ PRECAUCIÓN

No permita que los niños jueguen con los compartimientos. Las esquinas afiladas pueden provocar lesiones.

Cajones para vegetales y frutas (Zona fresca EZ)

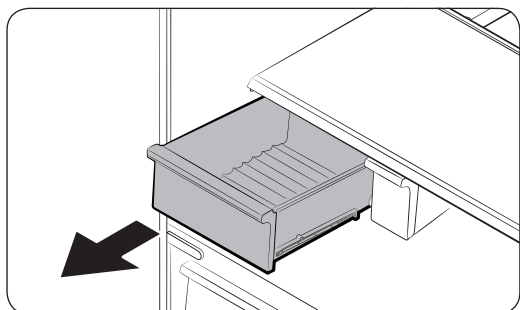


Levante suavemente el frente del cajón y deslícelo hacia afuera.

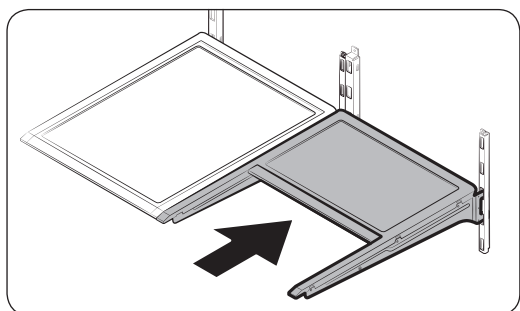
Se recomienda retirar los compartimientos de la puerta antes de retirar el cajón. Esto es para evitar que se dañen.

Mantenimiento

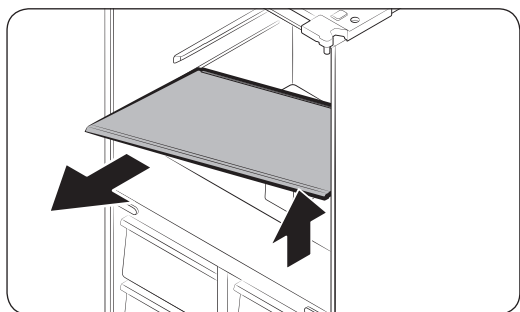
Estante para vegetales



1. Deslice hacia afuera el cajón de vegetales izquierdo.



2. Deslice hacia adentro el estante plegable derecho.



3. Mientras sujeta con una mano el estante de vegetales, deslícelo hacia afuera con la otra mano.

NOTA

Para utilizar el espacio que queda después de retirar el estante plegable, extraiga el estante de vegetales.

Para insertarlo nuevamente, realice el procedimiento en el orden inverso.

Cubeta de hielo

Para retirar la cubeta de hielo, consulte la sección de mantenimiento de la página 59.

Limpieza

Interior y exterior

ADVERTENCIA

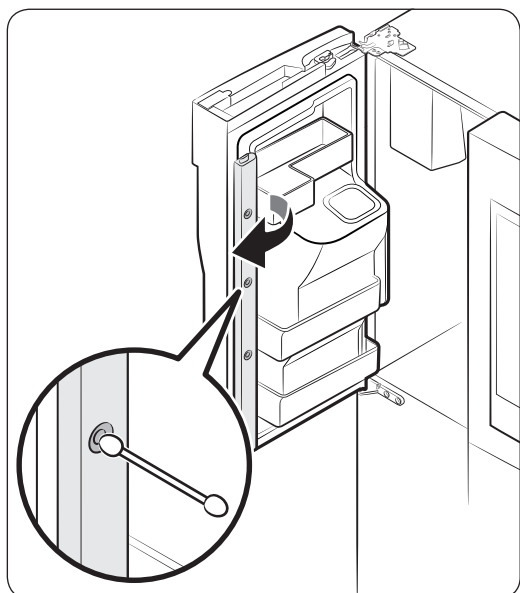
- No limpie el refrigerador con benceno, disolvente, detergente para automóviles/hogareño o Clorox™ (blanqueador). Pueden dañar la superficie del refrigerador o provocar un incendio.
- No rocíe agua sobre el refrigerador. Puede provocar una descarga eléctrica.
- No coloque los dedos ni otros objetos en la salida del dispensador.

Utilice un paño seco regularmente para retirar cualquier sustancia extraña como polvo o agua de las terminales del enchufe de alimentación y los puntos de contacto.

Para limpiar el refrigerador

1. Desenchufe el cable de alimentación
2. Utilice un paño húmedo que no deje pelusa o una toalla de papel para limpiar el interior y el exterior del refrigerador.
3. Al terminar, utilice un paño seco o toalla de papel para secarlo bien.
4. Enchufe el cable de alimentación.

Cámara de visión interna



NOTA

Use un hisopo de algodón o un paño de microfibra para limpiar la cámara de la puerta del lado izquierdo del refrigerador.


Mantenimiento

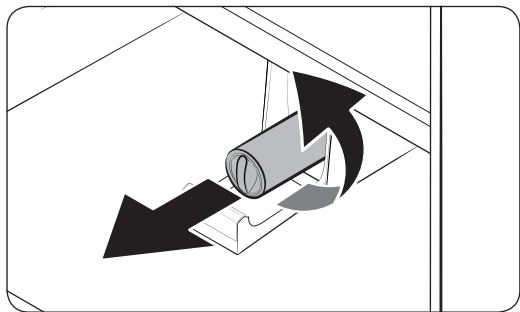
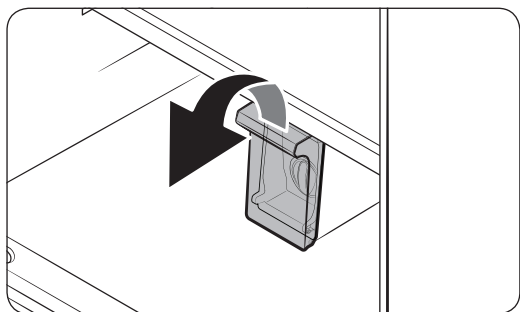
Reemplazo

Filtro de agua

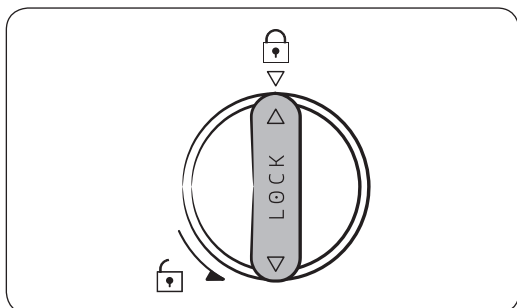
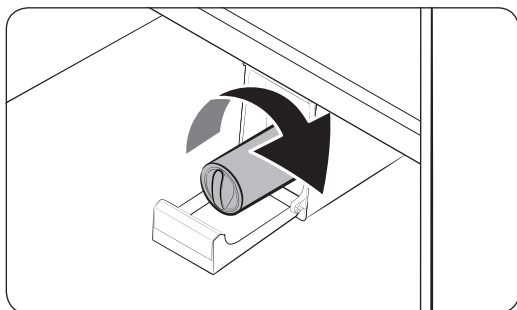
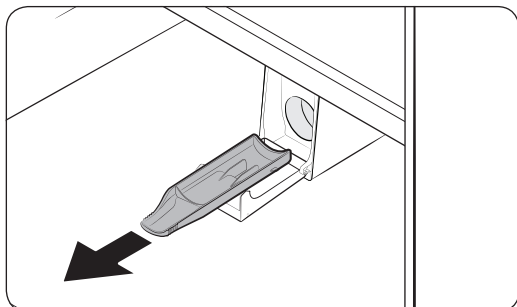
ADVERTENCIA

- No utilice filtros de agua de terceros. Utilice únicamente filtros provistos o aprobados por Samsung.
- Los filtros no aprobados pueden provocar pérdidas y daños al refrigerador y descargas eléctricas. Samsung no se hace responsable por los daños que puedan generarse a partir del uso de filtros de terceros.

El indicador del filtro () se pone rojo para recordarle que es momento de cambiar el filtro. Antes de reemplazar el filtro, asegúrese de que la tubería de agua esté cerrada.



1. Abra la cubierta del filtro.
 - Es posible que algunos modelos no dispongan de cubierta del filtro. Si es el caso de su modelo, omita este paso.
2. Gire la perilla del cartucho del filtro en el sentido contrario a las agujas del reloj unos 90 grados (giro de 1/4). El cartucho del filtro se destraba.
3. Tire para retirar el cartucho.
 - Si el filtro de agua estuviera muy contaminado, es posible que el cartucho no pueda retirarse fácilmente. En dicho caso, retírelo por la fuerza.
 - A fin de evitar pérdidas de agua a través de la abertura del filtro, jale el cartucho en línea recta al retirarlo.



NOTA

A fin de evitar desbordes, vacíe y seque la charola del filtro de agua.

4. Inserte un nuevo cartucho de filtro. Utilice únicamente filtros provistos o aprobados por Samsung.
5. Gire la perilla del filtro en el sentido de las agujas del reloj para trabarlo en su posición.
6. En la pantalla de inicio, toque **Administrador del refrigerador > Ajustes del refrigerador > Filtro** y, luego, seleccione **RESTABLECER**. El indicador del filtro se apaga.
7. Al finalizar el reemplazo del filtro, abra la válvula de agua y deje correr el agua por el dispensador durante unos 7 minutos. De esta forma se eliminan las impurezas y el aire de la tubería de agua.

NOTA

- Los filtros nuevos pueden hacer que brote agua del dispensador brevemente. Esto se debe al ingreso de aire en la tubería de agua.
- El proceso de reemplazo puede hacer que el dispensador de agua gotee por un período breve. Si gotea, simplemente limpie el agua del piso con una toalla seca.

Mantenimiento

Sistema de filtración por ósmosis inversa

La presión de agua del sistema de suministro hacia un sistema de filtración por ósmosis inversa debe ser de entre 35 psi y 120 psi (241 kPa y 827 kPa).

La presión de agua del sistema de filtración de agua por ósmosis inversa a la tubería de agua fría del refrigerador debe ser de al menos 40 psi (276 kPa). Si la presión de agua estuviera por debajo de estas especificaciones:

- Verifique si el filtro de sedimentos en el sistema de ósmosis inversa está bloqueado. Reemplace el filtro si fuera necesario.
- Llene nuevamente de agua el tanque de agua del sistema de ósmosis inversa.
- Si el refrigerador cuenta con un filtro de agua, es posible que la presión de agua disminuya aún más al usarlo con un sistema de ósmosis inversa. Retire el filtro de agua.

Para obtener más información sobre el mantenimiento, comuníquese con un plomero profesional.

Pedir un filtro nuevo.

Para comprar un nuevo filtro de agua, comuníquese con un centro de servicios Samsung local o visite www.samsungparts.com en Internet.

Luces LED

Para reemplazar las lámparas LED del refrigerador, comuníquese con un centro de servicios Samsung local.

ADVERTENCIA

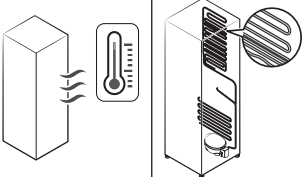
El usuario no debe cambiar las luces LED. No intente reemplazar la lámpara LED usted mismo. Puede provocar una descarga eléctrica.

Solución de problemas

Antes de solicitar servicio técnico revise los siguientes puntos de verificación. En el caso de solicitudes de servicio para situaciones normales (cuando no existe ningún defecto), se exigirá un cargo a los usuarios.

General

Temperatura

Síntoma	Causas posibles	Solución
El refrigerador/ congelador no funciona. La temperatura del refrigerador/congelador es elevada.	<ul style="list-style-type: none"> El cable de alimentación no está conectado correctamente. 	<ul style="list-style-type: none"> Enchufe correctamente el cable de alimentación.
	<ul style="list-style-type: none"> El control de temperatura no está configurado correctamente. 	<ul style="list-style-type: none"> Baje la temperatura.
	<ul style="list-style-type: none"> El refrigerador está ubicado cerca de una fuente de calor o expuesto a la luz solar directa. 	<ul style="list-style-type: none"> Mantenga el refrigerador alejado de la luz solar directa o de las fuentes de calor.
	<ul style="list-style-type: none"> El espacio entre el refrigerador y las paredes laterales o trasera es insuficiente. 	<ul style="list-style-type: none"> Asegúrese de dejar al menos 5 cm en la parte trasera y los laterales.
	<ul style="list-style-type: none"> El refrigerador está demasiado lleno. Los alimentos bloquean las rejillas de ventilación del refrigerador. 	<ul style="list-style-type: none"> No sobrecargue el refrigerador. Evite que los alimentos bloqueen la ventilación.
El refrigerador/ congelador enfría demasiado.	<ul style="list-style-type: none"> El control de temperatura no está configurado correctamente. 	<ul style="list-style-type: none"> Eleve la temperatura.
La pared interna está caliente.	<ul style="list-style-type: none"> El refrigerador cuenta con tuberías a prueba de calor en la pared interna. 	<ul style="list-style-type: none"> A fin de evitar que se forme condensación, el refrigerador cuenta con tuberías a prueba de calor en los ángulos frontales. Si la temperatura aumenta, es posible que el equipo no funcione eficazmente. No se trata de una falla del sistema. 

Solución de problemas

Olores

Síntoma	Causas posibles	Solución
El refrigerador huele mal.	• Alimentos descompuestos.	• Limpie el refrigerador y retire los alimentos descompuestos.
	• Alimentos con olores fuertes.	• Asegúrese de que los alimentos con olores fuertes estén envueltos al vacío.

Escarcha

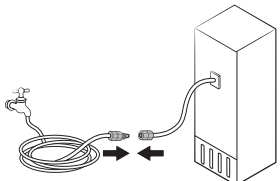
Síntoma	Causas posibles	Solución
Escarcha alrededor de las rejillas de ventilación.	• Los alimentos bloquean las rejillas de ventilación.	• Asegúrese de que ningún alimento bloquee las rejillas de ventilación del refrigerador.
Escarcha en las paredes internas.	• La puerta está mal cerrada.	• Asegúrese de que ningún alimento bloquee la puerta. Limpie las juntas de la puerta.
Las frutas o los vegetales se congelan.	• Las frutas o los vegetales están guardados en la Zona Fresca/Chef.	• La Zona Fresca/Chef es solo para carne y pescado.

Condensación

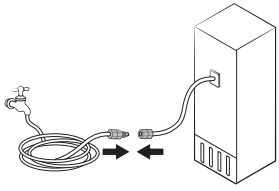
Síntoma	Causas posibles	Solución
Se forma condensación en las paredes internas.	• Si se deja la puerta abierta, entra humedad en el refrigerador.	• Retire la humedad y no abra la puerta durante un tiempo.
	• Alimentos con elevado contenido de humedad.	• Asegúrese de que los alimentos estén envueltos al vacío.

Agua/hielo (solo para modelos con dispensador)

Síntoma	Causas posibles	Solución
Sale menos agua de lo normal.	• La presión del agua es demasiado baja.	• Asegúrese de que la presión del agua esté entre 20 y 120 psi.
La fábrica de hielo emite un zumbido.	• La función de fabricación de hielo está activada, pero el suministro de agua al refrigerador no está conectado.	• Presione Fábrica de hielo desactivada .

Síntoma	Causas posibles	Solución
La fábrica de hielo no hace hielo.	<ul style="list-style-type: none"> La fábrica de hielo está recién instalada. 	<ul style="list-style-type: none"> Debe esperar 12 horas hasta que el refrigerador haga hielo.
	<ul style="list-style-type: none"> La temperatura del congelador es demasiado baja. 	<ul style="list-style-type: none"> Configure la temperatura del congelador por debajo de $-18\text{ }^{\circ}\text{C}$ (o $-20\text{ }^{\circ}\text{C}$ en climas cálidos).
	<ul style="list-style-type: none"> El bloqueo del dispensador está activado. 	<ul style="list-style-type: none"> Desactive el bloqueo del dispensador.
	<ul style="list-style-type: none"> Fábrica de hielo desactivada. 	<ul style="list-style-type: none"> Encienda la fábrica de hielo.
No se dispensa hielo.	<ul style="list-style-type: none"> El hielo puede atascarse si el dispensador de hielo no se utiliza durante un periodo largo de tiempo (aproximadamente 3 semanas). 	<ul style="list-style-type: none"> Si no utilizará el refrigerador por un periodo de tiempo prolongado, vacíe la cubeta de hielo y apague la fábrica de hielo.
	<ul style="list-style-type: none"> La cubeta de hielo no está insertada correctamente. 	<ul style="list-style-type: none"> Asegúrese de que la cubeta de hielo esté insertada por completo.
	<ul style="list-style-type: none"> La tubería de agua no está conectada correctamente o el suministro de agua está cerrado. 	<ul style="list-style-type: none"> Revise el estado de la instalación de agua. 

Solución de problemas

Síntoma	Causas posibles	Solución
No se dispensa agua.	<ul style="list-style-type: none"> La tubería de agua no está conectada correctamente o el suministro de agua está cerrado. 	<ul style="list-style-type: none"> Revise el estado de la instalación de agua. 
	<ul style="list-style-type: none"> El bloqueo del dispensador está activado. 	<ul style="list-style-type: none"> Desactive el bloqueo del dispensador.
	<ul style="list-style-type: none"> No utilice filtros de agua de terceros. 	<ul style="list-style-type: none"> Utilice únicamente filtros provistos o aprobados por Samsung. Los filtros no aprobados pueden provocar pérdidas y daños al refrigerador.
	<ul style="list-style-type: none"> El indicador de filtro de agua se enciende o parpadea. 	<ul style="list-style-type: none"> Reemplace el filtro de agua. Luego de reemplazarlo, restablezca el sensor del indicador del filtro.

Samsung Connect

Síntoma	Acción
No se encuentra "Samsung Connect" en el mercado de aplicaciones.	<ul style="list-style-type: none">La aplicación Samsung Connect se encuentra disponible para los teléfonos inteligentes que utilizan Android 6.0 (Marshmallow) o superior, o iOS 9.0 o superior.
La aplicación Samsung Connect no funciona.	<ul style="list-style-type: none">La aplicación Samsung Connect está disponible únicamente para los modelos correspondientes.La aplicación Samsung Smart Refrigerator antigua no puede conectarse con los modelos Samsung Smart Home.
La aplicación Samsung Connect está instalada pero no se conecta a mi refrigerador.	<ul style="list-style-type: none">Debe iniciar una sesión con su cuenta Samsung para utilizar la aplicación.Asegúrese de que su enrutador funcione normalmente.Si no ha conectado el refrigerador a la aplicación Samsung Connect luego de instalar esta, debe establecer la conexión con la función de registro del dispositivo de la aplicación.
No se puede iniciar una sesión en la aplicación.	<ul style="list-style-type: none">Debe iniciar una sesión con su cuenta Samsung para utilizar la aplicación.Si no tiene una cuenta Samsung, siga las instrucciones en pantalla de la aplicación para crear una.
Cuando trato de registrar mi refrigerador aparece un mensaje de error.	<ul style="list-style-type: none">Easy Connection puede fallar como resultado de la distancia con respecto al punto de acceso (PA) o de una interferencia eléctrica del entorno circundante. Espere un momento e inténtelo nuevamente.
La aplicación Samsung Connect está conectada correctamente a mi refrigerador pero no funciona.	<ul style="list-style-type: none">Salga y reinicie la aplicación Samsung Connect o desconecte el enrutador y conéctelo nuevamente.Desconecte el cable de alimentación del refrigerador y enchúfelo nuevamente después de 1 minuto.

Solución de problemas

Samsung Family Hub

Síntoma	Acción
No se encuentra "Samsung Family Hub" en el mercado de aplicaciones.	<ul style="list-style-type: none">La aplicación Samsung Family Hub se encuentra disponible para los teléfonos inteligentes que utilizan Android 4.4 (KitKat) o superior, o iOS 8.0 o superior.
No se puede iniciar una sesión en la aplicación.	<ul style="list-style-type: none">Debe iniciar una sesión con su cuenta Samsung para utilizar la aplicación.Si no tiene una cuenta Samsung, siga las instrucciones en pantalla de la aplicación para crear una.

Smart Grid

Síntoma	Acción
¿Qué necesito para utilizar las funciones Energy Management (Gestión de energía) y Smart Grid?	<p>Para usar las funciones Smart Grid (respuesta a la demanda) y Energy Management (Gestión de energía) del refrigerador, se necesita lo siguiente:</p> <p>Dispositivos</p> <ul style="list-style-type: none"> • Un punto de acceso inalámbrico (enrutador) • Un refrigerador que admita Samsung Energy Management • Un teléfono inteligente <p>Registro</p> <ul style="list-style-type: none"> • Conecte el refrigerador a su red Wi-Fi doméstica. • Regístrese en el servicio EMS con su compañía de electricidad. Su compañía eléctrica debe tener un EMS (sistema de gestión de energía) compatible con SEP (perfil de energía inteligente). <p>Aplicación</p> <ul style="list-style-type: none"> • Descargue la aplicación Samsung Connect desde Google Play Store, Apple App Store o Samsung Galaxy Apps. • Instale y ejecute la aplicación Samsung Connect en su teléfono inteligente.
¿Por qué la función Energy Management (Gestión de energía) no opera con normalidad?	<ul style="list-style-type: none"> • Asegúrese de que el enrutador de su casa opera normalmente con un servicio y una conexión a Internet correctos. • Asegúrese de que el refrigerador esté conectado al PA (enrutador). <p>Puntos de comprobación</p> <ul style="list-style-type: none"> • Conecte su teléfono inteligente al enrutador (PA, punto de acceso) y revise si puede acceder a Internet desde el teléfono inteligente.
¿Por qué la Capacidad de demora del descongelamiento no opera con normalidad?	<ul style="list-style-type: none"> • Asegúrese de que el enrutador de su casa opera normalmente con un servicio y una conexión a Internet correctos.

Solución de problemas

LCD

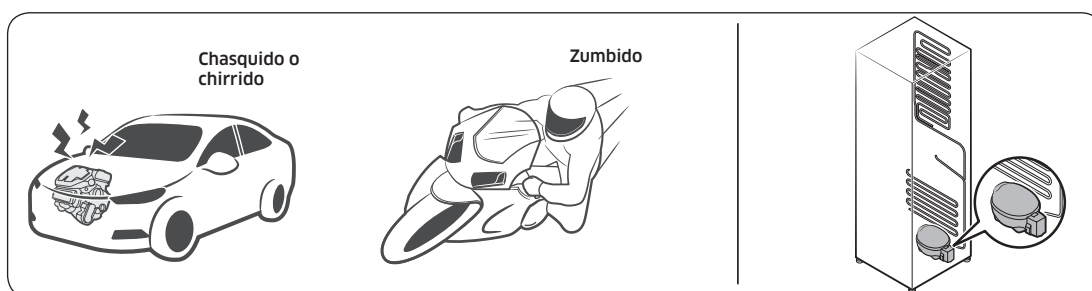
Síntoma	Acción
No puedo conectarme al televisor.	<ul style="list-style-type: none">Este refrigerador solo puede conectarse con modelos Samsung Smart TV de la serie 6400 o superior comercializados a partir de 2015. Revise primero el nombre de modelo de su televisor.Las conexiones de red pueden interrumpirse temporalmente. Apague el televisor y vuelva a intentarlo.
La imagen de la vista interior se ve deformada o incompleta.	<ul style="list-style-type: none">Los bordes de la vista interior pueden verse deformados. La deformación es causada por la lente convexa de la cámara.La vista interior puede estar incompleta debido a los ángulos muertos de las esquinas de izquierda y derecha, o alterados dependiendo de la forma de los alimentos. Asegúrese de colocar los alimentos en el centro de la parte delantera.
La medición que se muestra en el Administrador del refrigerador no es correcta.	<ul style="list-style-type: none">Las condiciones mostradas pueden diferir de la temperatura y la humedad reales.

¿Se oyen ruidos anómalos procedentes del refrigerador?

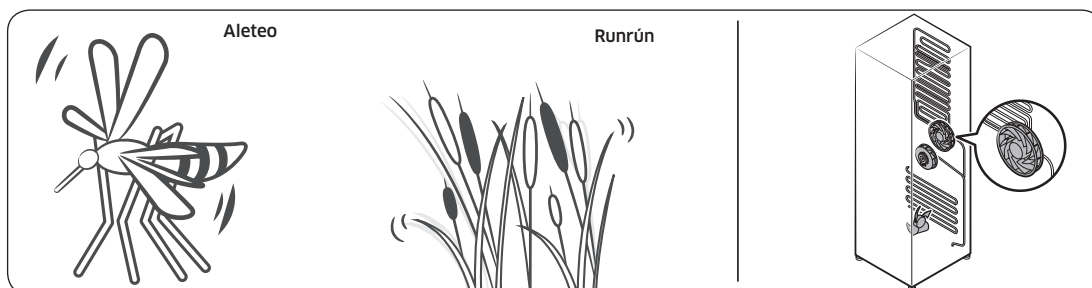
Antes de solicitar servicio técnico revise los siguientes puntos de verificación. En el caso de solicitudes de servicio relacionado con ruidos normales se exigirá un cargo al usuario.

Dichos ruidos son normales.

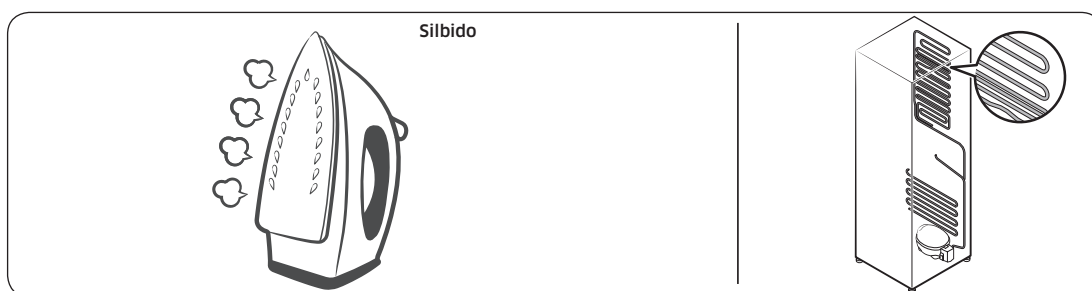
- Cuando se inicia o finaliza una operación, el refrigerador puede emitir unos sonidos similares al encendido del motor de un auto. Cuando la operación se estabiliza, el ruido disminuye.



- Cuando el ventilador está en funcionamiento puede producir algunos ruidos. Cuando el refrigerador alcanza la temperatura establecida, el ruido del ventilador se detiene.

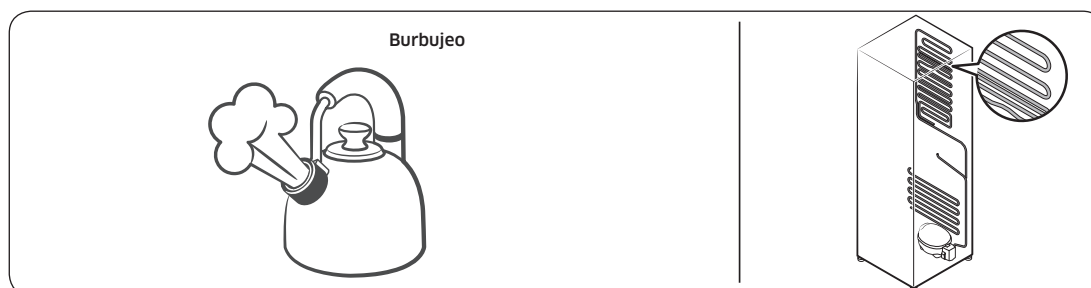


- Durante un ciclo de descongelación, pueden caer gotas de agua sobre el calefactor y producir ruidos de chisporroteo.

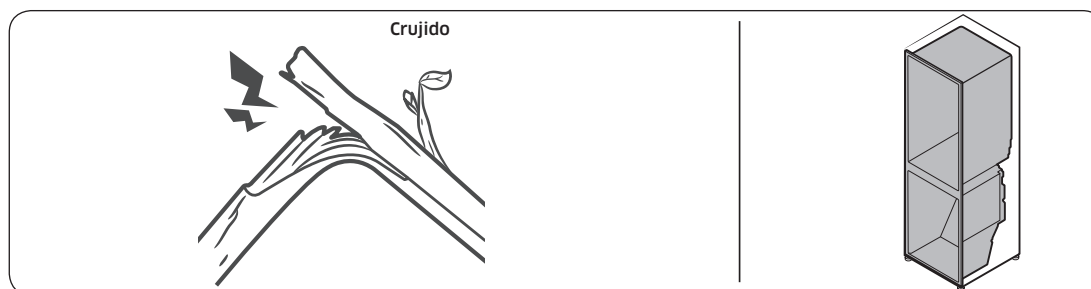


Solución de problemas

- Cuando el refrigerador enfría o congela, el gas refrigerante circula por las tuberías selladas y produce ruidos de burbujas.



- Cuando la temperatura del refrigerador aumenta o disminuye, las partes plásticas se contraen y se expanden y producen ruidos de golpeteo. Dichos ruidos se producen durante el ciclo de descongelación o cuando las piezas electrónicas están funcionando.



- Para modelos con fábrica de hielo: Cuando la válvula de agua se abre para llenar la fábrica de hielo, pueden emitirse unos zumbidos.
- Debido a la equalización de la presión cuando se abre y cierra la puerta del refrigerador, pueden producirse sonidos silbantes.

Garantía (USA)

GARANTÍA DEL REFRIGERADOR SAMSUNG

GARANTÍA LIMITADA PARA EL COMPRADOR ORIGINAL

Este producto de marca Samsung, suministrado y distribuido por Samsung Electronics America, Inc. (Samsung) y entregado nuevo en su caja de fábrica al comprador original, está garantizado por Samsung ante defectos de fabricación relacionados con los materiales y la mano de obra durante un período de garantía limitado a:

Un (1) año para las piezas y la mano de obra del refrigerador

Cinco (5) años para las piezas y la mano de obra exclusivamente del sistema hermético de refrigeración*

Diez (10) años para las piezas y cinco (5) años para la mano de obra para el compresor Digital Inverter
(*Compresor, evaporador, condensador, deshumidificador, tuberías de conexión)

Esta garantía limitada entra en vigencia en la fecha original de compra y solo es válida para productos adquiridos y utilizados en los Estados Unidos. Para recibir el servicio técnico bajo garantía, el comprador debe comunicarse con Samsung para determinar la naturaleza del problema y proceder a repararlo. El servicio de garantía solo puede realizarse a través de un Centro de Servicio autorizado Samsung. Debe presentarse la factura original de venta bajo solicitud de Samsung o del Centro de Servicio autorizado Samsung como prueba de compra.

Samsung reparará o reemplazará cualquier pieza considerada defectuosa, a nuestra entera discreción y sin cargo, según lo estipulado en este documento, por piezas nuevas o reparadas durante el período de garantía limitada especificado anteriormente. Todas las piezas y los productos reemplazados son de propiedad de Samsung y deben devolverse a Samsung. Las piezas y los productos de repuesto quedarán bajo el período restante de garantía original o noventa (90) días, el que sea más extenso.

La prestación de servicios en el hogar se realizará durante el período de garantía de la mano de obra, sujeto a disponibilidad dentro de los Estados Unidos. La prestación de servicios en el hogar no está disponible en todas las zonas. Para recibir la prestación de servicio en el hogar, el producto debe estar despejado y ser accesible al nivel del piso para el personal de servicio técnico. Si durante la prestación de servicios en el hogar no pudiera llevarse a cabo la reparación, podría ser necesario realizar el traslado, la reparación y la posterior devolución del producto. Si la prestación de servicios en el hogar no está disponible, Samsung podría escoger, a nuestra entera discreción, proporcionar transporte a nuestra elección hasta y desde el Centro de Servicio autorizado Samsung. De lo contrario, el transporte hasta y desde el Centro de Servicio autorizado Samsung estará a cargo del comprador.

Garantía (USA)

Esta garantía limitada cubre defectos de fabricación en materiales y de mano de obra bajo condiciones de uso normal, no comercial, del producto y no se aplicará en los siguientes casos, incluidos, entre otros: daños ocasionados durante el transporte, la entrega y la instalación; aplicaciones y usos para los que el producto no fue diseñado; producto o números de serie alterados; daños externos o del acabado exterior; accidentes, mal uso, negligencia, incendio, agua, rayos u otros fenómenos naturales; uso de productos, equipamiento, sistemas, servicios públicos, servicios generales, piezas, suministros, accesorios, aplicaciones, instalaciones, reparaciones, tuberías externas y fugas, cableado externo, disyuntores, fusibles o conectores no suministrados ni autorizados por Samsung o que dañen este producto u ocasionen problemas de servicio; voltaje incorrecto, fluctuaciones y sobrevoltaje del suministro eléctrico; adaptaciones y fallas por parte del cliente en el cumplimiento de las instrucciones de funcionamiento, limpieza, mantenimiento y cuidado del medio ambiente que se incluyen y establecen en el manual de instrucciones; pérdida de alimentos por descomposición; consumibles, incluidos filtros y focos de iluminación.

NO EXISTEN OTRAS GARANTÍAS EXPLÍCITAS APARTE DE LAS MENCIONADAS Y DESCRITAS ANTERIORMENTE, ASÍ COMO TAMPOCO EXISTEN OTRAS GARANTÍAS EXPLÍCITAS O IMPLÍCITAS, INCLUIDAS, ENTRE OTRAS, LAS GARANTÍAS IMPLÍCITAS DE COMERCIALIZACIÓN O DE IDONEIDAD PARA UN FIN CONCRETO Y QUE SEAN PERTINENTES TRAS LOS PERÍODOS DE GARANTÍA EXPLÍCITA INDICADOS CON ANTERIORIDAD; Y NINGUNA GARANTÍA EXPLÍCITA U OFRECIDA POR PERSONAS, FIRMAS O EMPRESAS EN RELACIÓN CON ESTE PRODUCTO SERÁ LEGALMENTE VINCULANTE PARA SAMSUNG. SAMSUNG NO SERÁ LEGALMENTE RESPONSABLE DE LA PÉRDIDA DE INGRESOS O BENEFICIOS, LA FALTA DE AHORROS U OTROS BENEFICIOS, O DE NINGÚN OTRO DAÑO RESULTANTE ESPECIAL, ACCIDENTAL O INDIRECTO OCASIONADO POR EL USO, ABUSO O INCAPACIDAD DE USO DE ESTE PRODUCTO, INDEPENDIEMENTE DE LA TEORÍA LEGAL SOBRE LA QUE SE BASE EL RECLAMO, INCLUSO SI SAMSUNG HA SIDO ADVERTIDO DE LA POSIBILIDAD DE TALES DAÑOS. ASIMISMO, CUALQUIER TIPO DE INDEMNIZACIÓN EXIGIDA A SAMSUNG NO SUPERARÁ EL PRECIO DE COMPRA DEL PRODUCTO VENDIDO POR SAMSUNG Y QUE HAYA OCASIONADO EL SUPUESTO DAÑO. SIN LIMITAR LO INDICADO ANTERIORMENTE, EL COMPRADOR ASUME TODO EL RIESGO Y LA RESPONSABILIDAD DE CUALQUIER PÉRDIDA, DAÑO O LESIÓN A SÍ MISMO O A SU PROPIEDAD, ASÍ COMO A TERCEROS Y A LA PROPIEDAD DE ESTOS, OCASIONADOS POR EL USO, ABUSO O INCAPACIDAD DE USO DE ESTE PRODUCTO VENDIDO POR SAMSUNG QUE NO HAYAN SIDO CAUSADOS DIRECTAMENTE POR NEGLIGENCIA DE SAMSUNG. ESTA GARANTÍA LIMITADA NO SERÁ VÁLIDA PARA PERSONAS AJENAS AL COMPRADOR ORIGINAL DE ESTE PRODUCTO, ADEMÁS ES INTRANSFERIBLE Y CONSTITUYE SU RECURSO EXCLUSIVO.

Ciertos estados no permiten limitaciones en cuanto a la vigencia de una garantía implícita o la exclusión o limitación de daños accidentales o indirectos, de tal forma que las limitaciones o excepciones mencionadas tal vez no se apliquen a usted en particular. Esta garantía le otorga derechos legales específicos, e incluso puede otorgarle otros derechos que varían de un estado a otro. Para obtener el servicio de garantía, pónganse en contacto con Samsung en el:

CENTRO DE ASISTENCIA AL CLIENTE DE SAMSUNG

Samsung Electronics America, Inc.

85 Challenger Road

Ridgefield Park, NJ 07660

1-800-SAMSUNG (726-7864)

www.samsung.com/us/support

Contacte a SAMSUNG WORLD WIDE

Si tiene preguntas o comentarios relacionados con los productos Samsung, póngase en contacto con el Servicio de Atención al Cliente de SAMSUNG.

País	Centro de contacto	Sitio web
U.S.A	1-800-SAMSUNG (726-7864) 1-844-SAM-PAYS (726-7297)	www.samsung.com/us/support
CANADA	1-800-SAMSUNG (726-7864) 1-844-SAM-PAYS (726-7297)	www.samsung.com/ca/support (English) www.samsung.com/ca_fr/support (French)



DA68-03460F-02



Réfrigérateur

Guide d'utilisation

Appareil amovible

SAMSUNG

Sommaire

Consignes de sécurité	4
Consignes de sécurité importantes et symboles	4
Avertissement concernant la proposition 65 de l'État de la Californie (États-Unis uniquement)	4
Avertissements importants concernant l'installation	5
Mises en garde relatives à l'installation	7
Avertissements importants concernant l'utilisation	8
Mises en garde relatives à l'utilisation	11
Mises en garde relatives au nettoyage	12
Avertissements importants concernant la mise au rebut	13
1 Avis d'application de la réglementation	14
Installation	16
Présentation rapide du réfrigérateur	16
Retrait des portes pour le passage par la porte d'entrée	18
Installation étape par étape	26
Utilisation	35
Interface utilisateur	35
Samsung Connect	45
Fonction SMART GRID (Réponse à la demande)	48
Recommandations pour la reconnaissance vocale	52
Application Samsung Family Hub	52
Fonctions spéciales	54
Entretien	59
Manipulation et précautions	59
Nettoyage	63
Remplacement	64

Dépannage	67
Généralités	67
Samsung Connect	71
Application Samsung Family Hub	72
Fonction Smart Grid (Réponse à la demande)	73
Écran ACL	74
Entendez-vous des sons anormaux provenant du réfrigérateur?	75
Informations relatives à la garantie (CANADA)	77
Si votre réfrigérateur doit être réparé	77
Garantie limitée à l'acheteur initial	77
Obligation du propriétaire initial	77
Exclusions de la garantie	78



Consignes de sécurité

- Avant d'utiliser votre nouveau réfrigérateur Samsung, veuillez lire attentivement le présent guide afin de vous assurer que vous savez comment utiliser de manière sûre et efficace ses différentes fonctionnalités.
- Cet appareil n'est pas conçu pour être utilisé par des personnes (y compris des enfants) ayant des capacités physiques, sensorielles ou mentales réduites, ou ayant un manque d'expérience et de connaissances, à moins qu'elles soient surveillées ou qu'elles aient reçu les instructions nécessaires concernant l'utilisation de cet appareil de la part d'une personne responsable de leur sécurité.
- Les instructions suivantes concernent plusieurs modèles; il est donc possible que les caractéristiques de votre réfrigérateur soient légèrement différentes de celles décrites dans le présent guide.
- Pour toute question, communiquez avec nous au 1 800 SAMSUNG ou visitez le www.samsung.com.
- Le fluide frigorigène utilisé est le R-600a ou le R-134a. Pour connaître le fluide frigorigène utilisé dans votre réfrigérateur, reportez-vous à l'étiquette du compresseur située à l'arrière de l'appareil ou à l'étiquette signalétique située à l'intérieur du réfrigérateur. Si ce produit contient du gaz inflammable (frigorigène R-600a), veuillez communiquer avec les autorités de votre région pour obtenir des renseignements sur la mise au rebut sécuritaire de votre appareil.
- Il est dangereux pour toute personne autre qu'un technicien de service autorisé de réparer cet appareil.

Consignes de sécurité importantes et symboles

Veuillez suivre toutes les instructions relatives à la sécurité fournies dans le présent guide. Les symboles de sécurité suivants sont utilisés dans le présent guide.

AVERTISSEMENT

Dangers ou pratiques dangereuses susceptibles d'entraîner **des blessures graves, des dommages matériels et/ou la mort.**

ATTENTION

Dangers ou pratiques dangereuses susceptibles d'entraîner **des blessures graves et/ou des dommages matériels.**

REMARQUE

Renseignements utiles qui aident l'utilisateur à comprendre ou à utiliser le réfrigérateur.

Ces symboles d'avertissement ont pour but de prévenir toute blessure.

Veuillez respecter rigoureusement les consignes qui y sont associées.

Lisez attentivement la présente section et conservez le guide en lieu sûr afin de pouvoir le consulter ultérieurement.

Avertissement concernant la proposition 65 de l'État de la Californie (États-Unis uniquement)

AVERTISSEMENT : Cet appareil contient des produits chimiques connus de l'État de la Californie pour causer le cancer et des anomalies congénitales ou des effets nocifs sur la reproduction.





Avertissements importants concernant l'installation

AVERTISSEMENT

- N'installez pas le réfrigérateur dans un lieu humide ou dans un lieu où il est susceptible d'entrer en contact avec de l'eau.
 - Une détérioration de l'isolation appliquée sur les composants électriques pourrait provoquer un choc électrique ou un incendie.
- N'installez pas le réfrigérateur dans un endroit exposé à la lumière directe du soleil, et ne l'exposez pas à la chaleur d'une cuisinière, d'un appareil de chauffage ou d'autres appareils.
- Ne branchez pas plusieurs appareils dans la même barre multiprise. Le réfrigérateur doit toujours être branché dans une prise de courant indépendante dotée d'une tension nominale correspondant à celle figurant sur la plaque signalétique du réfrigérateur.
 - Cela assure un rendement optimal, mais permet également d'éviter la surcharge des circuits électriques de la maison, laquelle pourrait entraîner une surchauffe des fils et présenter un risque d'incendie.
- Ne branchez pas la fiche d'alimentation dans une prise murale mal fixée.
 - Cela risquerait d'entraîner un choc électrique ou un incendie.
- N'utilisez pas de cordon d'alimentation présentant des fissures ou des signes d'abrasion à quelque endroit ou à l'une de ses extrémités.
- Ne pliez pas le cordon d'alimentation à l'excès et ne posez pas d'objets lourds dessus.
- Ne tirez pas et ne pliez pas excessivement le cordon d'alimentation.
- Ne tordez pas et ne nouez pas le cordon d'alimentation.
- N'accrochez pas le cordon d'alimentation sur un objet métallique, ne placez pas un objet lourd sur le cordon d'alimentation, n'insérez pas le cordon d'alimentation entre des objets et n'enfoncez pas le cordon d'alimentation dans l'espace situé derrière l'appareil.
- Lorsque vous déplacez le réfrigérateur, assurez-vous qu'il ne roule pas sur le cordon d'alimentation, et prenez garde à ne pas endommager ce dernier.
 - Un choc électrique ou un incendie pourraient en résulter.
- Ne débranchez jamais le réfrigérateur en tirant sur le cordon d'alimentation. Saisissez toujours fermement la fiche pour la débrancher de la prise de courant en la tirant en ligne droite.
 - Tout dommage causé au cordon est susceptible d'entraîner un court-circuit, un incendie et/ou un choc électrique.
- Ne placez pas dans cet appareil des substances explosives comme des aérosols avec propulseur inflammable.
- N'installez pas cet appareil près d'une source de chaleur ni d'un matériau inflammable.
- N'installez pas cet appareil dans un endroit où des fuites de gaz sont susceptibles de se produire.
 - Un choc électrique ou un incendie pourraient en résulter.
- Ce réfrigérateur doit être placé à un endroit convenable et installé conformément aux instructions du présent guide avant d'être utilisé.





Consignes de sécurité

- Branchez la fiche d'alimentation de façon à ce que le cordon pende vers le bas.
 - Si vous branchez la fiche d'alimentation à l'envers, le fil est susceptible de se rompre et de provoquer un incendie ou un choc électrique.
- Assurez-vous que la fiche d'alimentation n'est pas écrasée ou endommagée par le dos du réfrigérateur.
- Gardez les matériaux d'emballage hors de portée des enfants.
 - Il y a un risque de mort par asphyxie si un enfant place les matériaux d'emballage sur sa tête.
- L'appareil doit être positionné de façon à ce que la fiche reste accessible après l'installation.
 - Le non-respect de cette consigne risquerait de provoquer un choc électrique ou un incendie en raison de fuites électriques.
- N'installez pas cet appareil dans un lieu humide, huileux ou poussiéreux, ni dans un endroit exposé directement au soleil ou à l'eau (gouttes de pluie).
 - Une détérioration de l'isolation appliquée sur les composants électriques pourrait provoquer un choc électrique ou un incendie.
- Si de grandes quantités de poussière ou d'eau entrent dans le réfrigérateur, débranchez la fiche et communiquez avec votre centre de services Samsung Electronics.
 - Sinon, il pourrait y avoir un risque d'incendie.
- Ne montez pas sur l'appareil et ne placez pas d'objets (tels que du linge, des bougies allumées, des cigarettes allumées, de la vaisselle, des produits chimiques, des objets métalliques, etc.) sur celui-ci.
 - Le non-respect de cette consigne risque d'entraîner un choc électrique, un incendie, un dysfonctionnement de l'appareil ou des blessures.
- Vous devez retirer toutes les pellicules protectrices en plastique avant de brancher l'appareil pour la première fois.
- Il faut surveiller les enfants pour s'assurer qu'ils ne jouent pas avec les anneaux de retenue utilisés pour le réglage de la porte ou avec les brides du tuyau d'eau.
 - Il existe un risque de mort par étouffement si un enfant avale un anneau de retenue ou une bride du tuyau d'eau. Tenez les anneaux de retenue et les brides du tuyau d'eau hors de portée des enfants.
- Le réfrigérateur doit être correctement mis à la terre.
 - Veillez toujours à ce que le réfrigérateur soit mis à la terre avant d'examiner ou de réparer toute partie de l'appareil. Les fuites électriques peuvent provoquer de graves chocs électriques.



- N'utilisez jamais de conduites de gaz, de lignes téléphoniques ou d'autres éléments susceptibles d'attirer la foudre pour mettre l'appareil à la terre.
 - Le réfrigérateur doit être mis à la terre afin d'éviter les dispersions électriques ou les chocs électriques causés par les fuites de courant de l'appareil.
 - Le non-respect de cette consigne risque d'entraîner un choc électrique, un incendie, une explosion ou un dysfonctionnement de l'appareil.
 - L'utilisation inappropriée de la fiche de mise à la terre peut présenter un risque de choc électrique. Si l'utilisation d'une rallonge s'avère nécessaire, utilisez uniquement une rallonge à trois fils munie d'une fiche de mise à la terre à trois broches et d'une prise à trois alvéoles compatible avec la fiche de l'appareil. Le calibre de la rallonge doit être de 115-120 V c.a., avec une intensité de 10 A minimum. Si un adaptateur de mise à la terre est utilisé, assurez-vous que la boîte de prise de courant est entièrement mise à la terre.
- Branchez fermement la fiche dans la prise murale. N'utilisez pas de fiche d'alimentation endommagée, de cordon d'alimentation endommagé ou de prise murale mal fixée.
 - Un choc électrique ou un incendie pourraient en résulter.
- Si le cordon d'alimentation est endommagé, faites-le remplacer immédiatement par le fabricant ou par l'un de ses agents de service.
- Seul un technicien qualifié ou une société de services doit être autorisé(e) à changer le fusible dans le réfrigérateur.
 - Le non-respect de cette consigne risquerait d'entraîner un choc électrique ou des blessures.

Mises en garde relatives à l'installation

ATTENTION

- Laissez un espace suffisant autour du réfrigérateur et installez celui-ci sur une surface plane.
 - N'obstruez pas l'espace de ventilation à l'intérieur du réfrigérateur ou sur son caisson.
- Après avoir installé et mis sous tension votre réfrigérateur, attendez deux heures avant de le remplir d'aliments.
- Nous vous recommandons fortement de faire appel à un technicien qualifié ou à une société de services pour installer le réfrigérateur.
 - Le non-respect de cette consigne risque d'entraîner un choc électrique, un incendie, une explosion, un dysfonctionnement de l'appareil ou des blessures.
- La surcharge de l'une des portes pourrait faire basculer le réfrigérateur et causer des blessures.



Consignes de sécurité

Avertissements importants concernant l'utilisation

AVERTISSEMENT

- Ne branchez pas la fiche d'alimentation dans la prise murale si vous avez les mains mouillées.
 - Vous pourriez subir un choc électrique.
- N'entreposez pas d'objets sur le dessus de l'appareil.
 - Lors de l'ouverture ou de la fermeture de la porte, des objets pourraient tomber et provoquer des blessures et/ou des dommages matériels.
- N'insérez pas vos mains, vos pieds ou des objets métalliques (baguettes métalliques, etc.) sous le réfrigérateur ou à l'arrière de celui-ci.
 - Un choc électrique ou des blessures pourraient en résulter.
 - Les bords coupants pourraient causer des blessures.
- Ne touchez pas les parois intérieures du congélateur ni les produits qui y sont rangés si vous avez les mains mouillées.
 - Cela pourrait causer des gelures.
- Ne placez pas de récipient rempli d'eau sur le réfrigérateur.
 - Un renversement pourrait entraîner un incendie ou un choc électrique.
- Ne placez pas d'objets ou de substances volatiles ou inflammables (benzène, diluant, propane, alcool, éther, gaz liquéfié et toute autre substance similaire) dans le réfrigérateur.
 - Le réfrigérateur a été conçu exclusivement pour le rangement de produits alimentaires.
 - Cela pourrait entraîner un incendie ou une explosion.
- Il faut surveiller les enfants pour s'assurer qu'ils ne jouent pas avec l'appareil.
 - Maintenez les doigts éloignés des zones ayant des « points de pincement ». Les espaces entre les portes et les armoires sont nécessairement restreints. Soyez vigilant lorsque vous ouvrez les portes et que des enfants se trouvent à proximité.
- Ne laissez pas les enfants se suspendre à la porte de l'appareil ou aux compartiments de portes. Ils risqueraient de se blesser.
- Ne laissez pas les enfants entrer dans le réfrigérateur. Ils risqueraient d'y rester coincés.
- N'insérez pas vos mains sous l'appareil.
 - Les bords coupants pourraient causer des blessures.
- Ne placez pas de produits pharmaceutiques, chimiques ou thermosensibles dans le réfrigérateur.
 - Les produits nécessitant un contrôle strict de la température ne doivent pas être placés dans le réfrigérateur.
- Ne placez pas et n'utilisez pas d'appareils électriques à l'intérieur du réfrigérateur/congélateur, sauf s'il s'agit d'un type recommandé par le fabricant.
- Si vous percevez une odeur de fumée, débranchez immédiatement l'appareil, puis communiquez avec votre centre de services Samsung Electronics.



- Si de grandes quantités de poussière ou d'eau entrent dans le réfrigérateur, débranchez la fiche et communiquez avec votre centre de services Samsung Electronics.
 - Sinon, il pourrait y avoir un risque d'incendie.
- Ne laissez pas les enfants monter sur un tiroir.
 - Le tiroir risquerait de se casser et de provoquer leur chute.
- Ne laissez pas les portes du réfrigérateur ouvertes lorsque l'appareil n'est pas sous surveillance et ne laissez pas les enfants entrer dans l'appareil.
- Ne laissez pas les bébés et les enfants se glisser dans un tiroir.
 - Ils pourraient rester enfermés et subir des blessures ou s'asphyxier.
- Ne remplissez pas trop le réfrigérateur.
 - Lors de l'ouverture de la porte, un article pourrait tomber et causer des blessures ou des dommages matériels.
- Ne vaporisez pas de substances volatiles comme un insecticide sur la surface de l'appareil.
 - Ces produits peuvent s'avérer dangereux pour la santé et risquent aussi de provoquer un choc électrique, un incendie ou un dysfonctionnement de l'appareil.
- N'insérez jamais vos doigts ou un objet dans la sortie du distributeur d'eau, dans la glissoire à glace ou dans le bac de la machine à glaçons.
 - Cela pourrait causer des blessures ou des dommages matériels.
- N'utilisez pas et n'entreposez pas de substances thermosensibles (ex. : pulvérisateurs ou objets inflammables, glace sèche, médicaments ou produits chimiques) à proximité ou à l'intérieur du réfrigérateur.
- N'utilisez pas de séchoir à cheveux pour sécher l'intérieur du réfrigérateur. Ne placez pas de bougie allumée à l'intérieur du réfrigérateur pour en éliminer les mauvaises odeurs.
 - Un choc électrique ou un incendie pourraient en résulter.
- Remplissez le réservoir d'eau, le bac à glaçons et les moules à glaçons avec de l'eau potable uniquement (eau du robinet, eau minérale ou eau purifiée).
 - Ne remplissez pas le réservoir avec du thé, du jus ou une boisson énergisante. Cela pourrait endommager le réfrigérateur.
- Ne montez pas sur l'appareil et ne placez pas d'objets (tels que du linge, des bougies allumées, des cigarettes allumées, de la vaisselle, des produits chimiques, des objets métalliques, etc.) sur celui-ci. Le non-respect de cette consigne risque d'entraîner un choc électrique, un incendie, un dysfonctionnement de l'appareil ou des blessures. Ne placez pas de récipient rempli d'eau sur l'appareil.
 - Un renversement pourrait entraîner un incendie ou un choc électrique.
- Pour accélérer le processus de décongélation, utilisez uniquement les appareils mécaniques et autres dispositifs recommandés par le fabricant.
- N'endommagez pas le circuit de réfrigération.
- Ne fixez jamais directement l'ampoule DEL UV pendant une période prolongée.
 - Cela risquerait d'entraîner une fatigue oculaire causée par les rayons ultraviolets.
- Ne placez pas les tablettes à l'envers dans le réfrigérateur. La butée des tablettes ne fonctionnera pas.
 - La tablette en verre pourrait tomber et causer des blessures.



Consignes de sécurité

- Maintenez les doigts éloignés des zones ayant des « points de pincement ». Les espaces entre les portes et les armoires sont nécessairement restreints. Soyez vigilant lorsque vous ouvrez les portes et que des enfants se trouvent à proximité.
- Si une fuite de gaz est détectée, évitez toute flamme nue ou source potentielle d'inflammation et aérez pendant plusieurs minutes la pièce dans laquelle se trouve l'appareil.
 - Ne touchez pas à l'appareil ou au cordon d'alimentation.
 - N'utilisez pas de ventilateur.
 - Une étincelle risquerait de provoquer une explosion ou un incendie.
- Utilisez uniquement les ampoules DEL fournies par le fabricant ou ses agents de service.
- Serrez les bouteilles les unes contre les autres pour éviter qu'elles se renversent ou tombent hors de l'appareil.
- Cet appareil est destiné au rangement des aliments dans un environnement domestique uniquement.
- N'insérez jamais vos doigts ou un objet dans la sortie du distributeur d'eau, dans la glissoire à glace ou dans le bac de la machine à glaçons.
 - Cela pourrait causer des blessures ou des dommages matériels.
- Ne tentez pas de réparer, de démonter ou de modifier le réfrigérateur vous-même.
 - Des modifications non autorisées peuvent causer des problèmes de sécurité. Lorsque nous devons régler un problème à la suite d'une modification non autorisée, nous facturons le coût total des pièces et de la main-d'œuvre.
- Utilisez seulement un fusible standard et évitez les autres types de fusibles (cuivre, fil d'acier, etc.).
- Si votre réfrigérateur doit être réparé ou réinstallé, communiquez avec le centre de services le plus près de chez vous.
 - Le non-respect de cette consigne risque d'entraîner un choc électrique, un incendie, un dysfonctionnement de l'appareil ou des blessures.
- Veuillez communiquer avec le centre de services Samsung le plus près de chez vous si l'ampoule DEL intérieure ou extérieure est grillée.
- Si le réfrigérateur dégage une odeur de brûlé ou de la fumée, débranchez-le immédiatement et communiquez avec un centre de services Samsung.
 - Le non-respect de cette consigne risquerait de causer un incendie ou un choc électrique.
- Débranchez le réfrigérateur avant de remplacer les ampoules intérieures.
 - Sinon, il y a un risque de choc électrique.
- Communiquez avec votre centre de services Samsung si vous éprouvez des difficultés à remplacer une ampoule (qui n'est pas à DEL).
- Si l'appareil est équipé d'ampoules DEL, ne démontez pas vous-même les protecteurs d'ampoule et les ampoules.
 - Communiquez avec un centre de services Samsung.
- Branchez fermement la fiche dans la prise murale.



-
- N'utilisez pas de fiche d'alimentation endommagée, de cordon d'alimentation endommagé ou de prise murale mal fixée.
 - Un choc électrique ou un incendie pourraient en résulter.

Mises en garde relatives à l'utilisation

ATTENTION

- Ne recongelez pas un aliment qui a complètement décongelé. Ne mettez pas de boissons gazeuses ou pétillantes dans le congélateur. Ne mettez pas de bouteilles ou de récipients en verre dans le congélateur.
 - Si le contenu gèle, le verre est susceptible de se briser et de causer des blessures.
- Utilisez uniquement la machine à glaçons fournie avec le réfrigérateur.
- Pour profiter du fonctionnement optimal de l'appareil :
 - Ne placez pas d'aliments trop près des orifices de ventilation à l'arrière du réfrigérateur, car ils pourraient empêcher la libre circulation de l'air dans le compartiment de réfrigération.
 - Emballez bien les aliments ou mettez-les dans des récipients hermétiques avant de les placer dans le réfrigérateur.
 - Ne mettez pas de bouteilles en verre ni de boissons gazeuses dans le congélateur. Elles pourraient geler, se casser et causer des blessures.
 - Respectez les durées de congélation maximales et les dates de péremption associées aux aliments surgelés.
- Ne mettez pas de récipients ou de bouteilles en verre ni de boissons gazeuses dans le congélateur.
 - Le récipient pourrait geler, se casser et causer des blessures.
- Garantie de service et modifications.
 - Les changements et modifications apportés à cet appareil par un tiers ne sont pas couverts par la garantie de service de Samsung. Samsung ne peut être tenue responsable des problèmes de sécurité résultant de modifications apportées par un tiers.
- N'obstruez pas les orifices de ventilation à l'intérieur du réfrigérateur.
 - Si les orifices de ventilation sont obstrués, notamment par un sac en plastique, le réfrigérateur risque de trop refroidir. Une période de refroidissement trop longue risque d'endommager le filtre à eau et de provoquer des fuites d'eau.
- Si le réfrigérateur est débranché de la prise d'alimentation, attendez au moins cinq minutes avant de le rebrancher.
- Si de grandes quantités d'eau entrent dans le réfrigérateur, débranchez la fiche d'alimentation et communiquez avec un centre de services Samsung.
- Ne frappez pas une surface en verre ou n'y appliquez pas une force excessive.
 - Du verre brisé pourrait entraîner des blessures et/ou des dommages matériels.

Consignes de sécurité

- Remplissez le réservoir d'eau et le bac à glaçons avec de l'eau potable uniquement (eau du robinet, eau minérale ou eau purifiée).
 - Ne remplissez pas le réservoir avec du thé, du jus ou une boisson énergisante. Cela pourrait endommager le réfrigérateur.
- Si le réfrigérateur est inondé, coupez l'alimentation de ce dernier et communiquez avec le centre de services Samsung le plus près de chez vous.
 - Il y a un risque de choc électrique et d'incendie.
- Ne conservez pas d'huile végétale dans les bacs de la porte de votre réfrigérateur. L'huile risque de se solidifier, de prendre un goût infect et de devenir difficile à utiliser. De plus, le récipient ouvert peut fuir et l'huile qui a coulé risque de faire fissurer le bac de la porte. Après avoir ouvert un récipient d'huile, le mieux est de le conserver dans un endroit frais et à l'abri du soleil, comme un placard ou un cellier.
 - Exemples d'huile végétale : huile d'olive, huile de maïs, huile de pépins de raisin, etc.

Mises en garde relatives au nettoyage

ATTENTION

- Ne vaporisez pas directement de l'eau à l'intérieur ou sur l'extérieur du réfrigérateur.
 - Cela entraînerait un risque d'incendie ou de choc électrique.
- N'utilisez pas de séchoir à cheveux pour sécher l'intérieur du réfrigérateur.
- Ne placez pas de bougie allumée à l'intérieur du réfrigérateur pour en éliminer les mauvaises odeurs.
 - Un choc électrique ou un incendie pourraient en résulter.
- Ne vaporisez pas de produit de nettoyage directement sur l'écran.
 - Les caractères imprimés sur l'écran risqueraient de s'effacer.
- Si un corps étranger tel que de l'eau a pénétré dans l'appareil, débranchez ce dernier et communiquez avec le centre de services le plus près de chez vous.
 - Le non-respect de cette consigne risquerait de provoquer un incendie ou un choc électrique.
- Utilisez un chiffon propre et sec pour éliminer toute poussière ou tout corps étranger des broches de la fiche d'alimentation. N'utilisez pas de chiffon mouillé ou humide pour nettoyer la fiche.
 - Sinon, il pourrait y avoir un risque d'incendie ou de choc électrique.
- Ne nettoyez pas l'appareil en vaporisant de l'eau directement sur celui-ci.
- N'utilisez pas de benzène, de diluant ou de javellisant (Clorox) pour nettoyer le réfrigérateur.
 - Ces produits risqueraient d'endommager la surface de l'appareil et de provoquer un incendie.
- Ne mettez jamais vos doigts ou un objet dans la sortie du distributeur.
 - Cela pourrait causer des blessures ou des dommages matériels.
- Débranchez l'appareil de la prise murale avant de le nettoyer et d'en faire l'entretien.
 - Le non-respect de cette consigne risquerait de provoquer un incendie ou un choc électrique.
- Utilisez une éponge propre ou un chiffon doux avec un nettoyant doux et de l'eau tiède pour nettoyer le réfrigérateur.

- N'utilisez pas de nettoyeurs abrasifs ou agressifs (produit à vitres, produits de décapage, liquides inflammables, acide chlorhydrique, cires nettoyantes, produits de nettoyage concentrés, agents de blanchissage ou produits de nettoyage contenant du pétrole) sur les surfaces extérieures (portes et meuble), les pièces en plastique, les revêtements intérieurs et de la porte et sur les joints.
 - Ces produits risquent de rayer ou d'endommager le matériau.
- Ne nettoyez pas les clayettes en verre ou les caches avec de l'eau tiède lorsqu'ils sont froids. Les clayettes en verre et les caches risquent de se casser s'ils sont exposés à des changements soudains de température ou à des chocs (coups ou chutes).

Avertissements importants concernant la mise au rebut

AVERTISSEMENT

- **DANGER** : Risque d'enfermement pour les enfants. Avant de mettre votre vieux réfrigérateur ou congélateur au rebut, assurez-vous de faire ce qui suit :
 - Retirez les portes et le loquet des portes.
 - Laissez les tablettes en place de façon à empêcher les enfants d'entrer facilement à l'intérieur de l'appareil.
 - Les enfants qui se retrouvent coincés à l'intérieur peuvent se blesser ou s'asphyxier.
- Veuillez jeter le matériel d'emballage de cet appareil en utilisant une méthode respectueuse de l'environnement.
- Assurez-vous qu'aucun des tuyaux situés à l'arrière du réfrigérateur n'est endommagé avant la mise au rebut de ce dernier.
- Le fluide frigorigène utilisé est le R-600a ou le R-134a. Pour connaître le fluide frigorigène utilisé dans votre réfrigérateur, reportez-vous à l'étiquette du compresseur située à l'arrière de l'appareil ou à l'étiquette signalétique située à l'intérieur du réfrigérateur. Si ce réfrigérateur contient du gaz inflammable (frigorigène R-600a), veuillez communiquer avec les autorités de votre région pour obtenir des renseignements sur la mise au rebut sécuritaire de votre appareil.
- Lors de la mise au rebut de ce réfrigérateur, retirez les portes/les joints de porte ainsi que le loquet des portes afin que les petits enfants et les animaux ne puissent pas se retrouver enfermés à l'intérieur. Il faut surveiller les enfants pour s'assurer qu'ils ne jouent pas avec l'appareil.
 - Un enfant coincé à l'intérieur du réfrigérateur risquerait de se blesser ou de s'asphyxier.
- Du cyclopentane est utilisé comme isolant. Les gaz utilisés pour l'isolation doivent être éliminés de manière particulière. Pour obtenir des renseignements sur la façon écologique de mettre ce produit au rebut, veuillez communiquer avec les autorités locales.
- Gardez les matériaux d'emballage hors de portée des enfants, car ils présentent un danger pour ces derniers.
 - Si un enfant insérait sa tête dans un sac, il risquerait de s'asphyxier.



Consignes de sécurité

1 Avis d'application de la réglementation

1.1 Avis de la FCC

MISE EN GARDE DE LA FCC :

Tout changement non expressément approuvé par la partie responsable de la conformité peut annuler l'autorisation de l'utilisateur à utiliser cet équipement.

Contient un module émetteur. ID FCC : A3LWCM730Q.

Cet appareil est conforme aux exigences de la partie 15 du règlement de la FCC. Son utilisation est assujettie aux deux conditions suivantes :

- (1) Cet appareil ne doit pas causer d'interférences nuisibles, et
- (2) Il doit absorber tout type d'interférence, y compris les interférences pouvant causer un fonctionnement non désiré.

Pour les produits offerts sur les marchés des États-Unis et du Canada, seuls les canaux 1 à 11 peuvent être utilisés.

La sélection d'autres canaux est impossible.

DÉCLARATION DE LA FCC :

Cet appareil a été testé et jugé conforme aux limites autorisées pour un dispositif numérique de classe B, en vertu de la partie 15 du règlement de la FCC. Ces limites visent à offrir une protection raisonnable contre les interférences nuisibles dans une installation résidentielle.

Ce produit génère, utilise et peut émettre de l'énergie radioélectrique. S'il n'est pas installé et utilisé selon les instructions, il peut causer des interférences nuisibles aux communications radio. Toutefois, il n'y a aucune garantie que l'appareil ne causera pas d'interférence dans le cas d'une installation particulière. Si ce produit cause des interférences nuisibles à la réception des signaux de radio ou de télévision, ce qui peut être vérifié en mettant le commutateur de l'appareil en position de marche puis d'arrêt, il est recommandé à l'utilisateur de tenter d'éliminer les interférences en prenant l'une ou plusieurs des mesures suivantes :

- Changer l'orientation ou l'emplacement de l'antenne réceptrice.
- Augmenter la distance entre l'appareil et le récepteur.
- Brancher l'appareil à un circuit électrique différent de celui auquel le récepteur est branché.
- Consulter le détaillant ou un technicien radio/télévision expérimenté pour obtenir de l'aide.

DÉCLARATION DE LA FCC SUR L'EXPOSITION AUX RAYONNEMENTS :

Cet équipement répond aux limites de la FCC sur l'exposition aux rayonnements établies pour un environnement non contrôlé.

Cet équipement doit être installé et utilisé de manière à ce qu'il y ait une distance minimale de 8 pouces (20 cm) entre l'antenne et votre corps. Cet appareil et ses antennes ne doivent pas être co-localisés ou fonctionner en conjonction avec tout autre émetteur ou antenne, sauf en cas de conformité avec les procédures relatives aux produits à émetteurs multiples de la FCC.



1.2 Avis d'IC

Contient un module émetteur. IC : 649E-WCM730Q.

La mention « IC : » devant le numéro de certification pour les radiofréquences signifie seulement que les exigences techniques d'Industrie Canada ont été respectées. L'utilisation est assujettie aux deux conditions suivantes : (1) Cet appareil ne doit pas causer d'interférences, et (2) il doit absorber tout type d'interférence, y compris les interférences pouvant causer un fonctionnement non désiré.

Cet appareil numérique de classe B est conforme à la norme NMB-003 du Canada.

Cet appareil numérique de la classe B est conforme à la norme NMB-003 du Canada.

Pour les produits offerts sur les marchés des États-Unis et du Canada, seuls les canaux 1 à 11 peuvent être utilisés. La sélection d'autres canaux est impossible.

DÉCLARATION D'IC RELATIVEMENT À L'EXPOSITION AUX RAYONNEMENTS :

Cet équipement respecte les limites CNR-102 d'IC sur l'exposition aux rayonnements établies pour un environnement non contrôlé. Cet équipement doit être installé et utilisé de manière à ce qu'il y ait une distance minimale de 8 pouces (20 cm) entre l'antenne et votre corps. Cet appareil et ses antennes ne doivent pas être co-localisés ou fonctionner en conjonction avec tout autre émetteur ou antenne, sauf en cas de conformité avec les procédures relatives aux produits à émetteurs multiples de la FCC.

CONSERVEZ CES INSTRUCTIONS

Installation

Suivez attentivement ces instructions pour éviter tout accident et vous assurer de bien installer ce réfrigérateur.

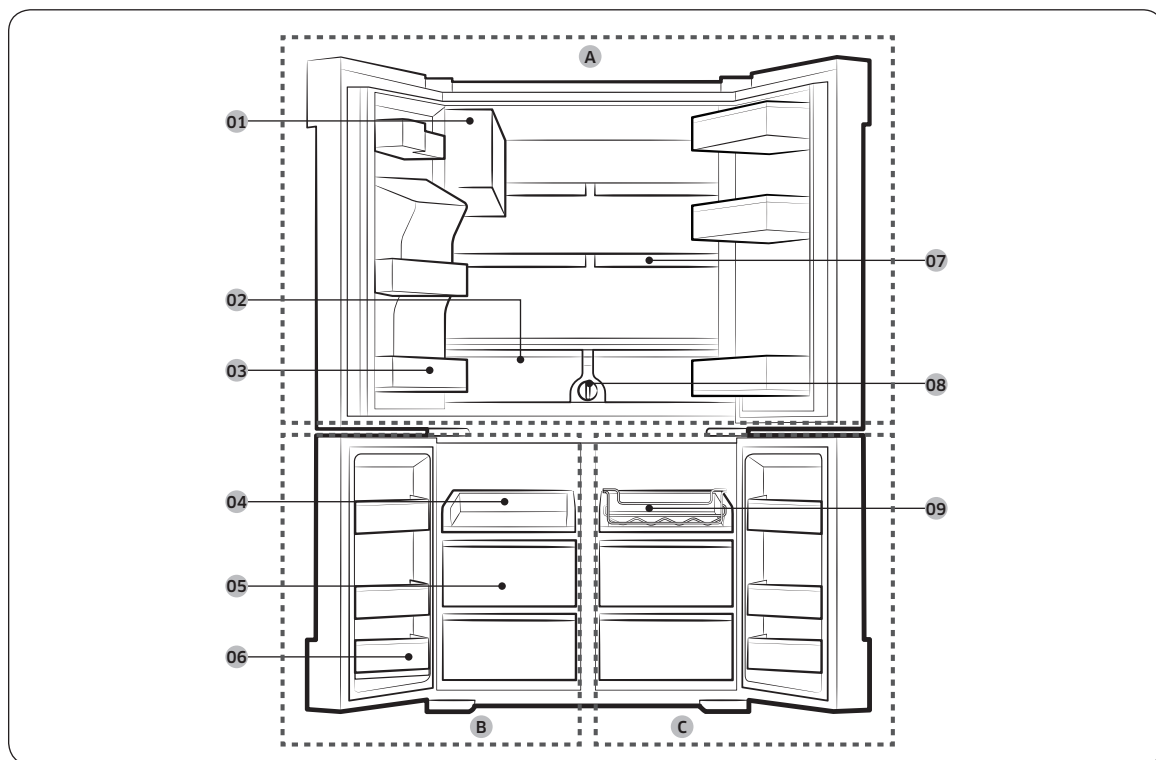
⚠ AVERTISSEMENT

- N'utilisez ce réfrigérateur qu'aux fins prévues, comme décrit dans le présent guide.
- Toute opération de réparation ou d'entretien doit être effectuée par un technicien qualifié.
- Jetez le matériel d'emballage de cet appareil conformément à la réglementation locale.
- Pour éviter tout risque de choc électrique, débranchez le cordon d'alimentation avant un entretien ou une réparation.

Présentation rapide du réfrigérateur

📄 REMARQUE

Selon le modèle et le pays, il peut y avoir une différence entre les images du réfrigérateur et des pièces présentées dans ce guide et l'apparence réelle de ceux-ci.



-
- | | | | |
|----|---|----|-----------------------|
| 01 | Machine à glaçons automatique (Ice Master) | A. | Réfrigérateur |
| 02 | Tiroirs à fruits et légumes EZ Fresh | B. | Congélateur |
| 03 | Compartiment multi-usage à rebord dans le réfrigérateur | C. | Compartiment FlexZone |
| 04 | Tablette Easy Slide | | |
| 05 | Tiroirs à aliments secs et viande | | |
| 06 | Compartiments de porte du congélateur | | |
| 07 | Tablette de gain d'espace rapide | | |
| 08 | Filtre à eau | | |
| 09 | Porte-bouteilles de vin | | |

REMARQUE

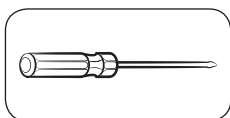
- Pour assurer l'efficacité énergétique de l'appareil, gardez les tablettes, les tiroirs et les paniers dans leur position d'origine.
- Lorsque vous fermez la porte, assurez-vous que la section à charnière verticale est correctement positionnée afin d'éviter d'égratigner l'autre porte.
- Si la section à charnière verticale est inversée, remettez-la correctement en place et fermez la porte.
- Il se peut que de l'humidité se forme parfois sur la section à charnière verticale.
- Si vous fermez une porte avec force, il est possible que l'autre porte s'ouvre.
- Lorsque la porte s'ouvre, l'interrupteur de sécurité désactive automatiquement le moteur à vis sans fin de la machine à glaçons pour des raisons de sécurité.
- Si l'ampoule DEL intérieure ou extérieure est hors service, communiquez avec un centre de services Samsung local.

Installation

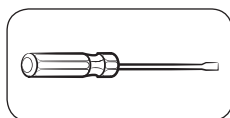
Retrait des portes pour le passage par la porte d'entrée

Si le réfrigérateur ne peut pas passer la porte d'entrée de votre maison ou de votre cuisine en raison de sa taille, suivez les instructions suivantes pour retirer et remettre en place les portes du réfrigérateur. Si vous n'avez pas besoin de retirer les portes, allez à la page 26 pour passer aux instructions d'installation.

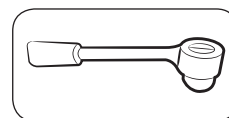
Outils requis (non fournis)



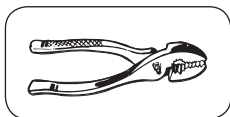
Tournevis cruciforme



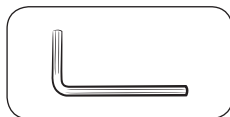
Tournevis à tête plate



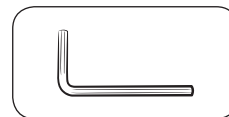
Clé à douille (10 mm)



Pinces

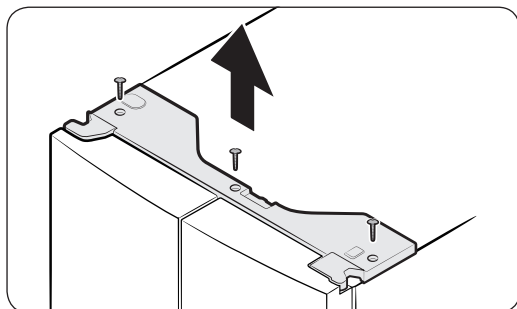


Clé hexagonale (4 mm)

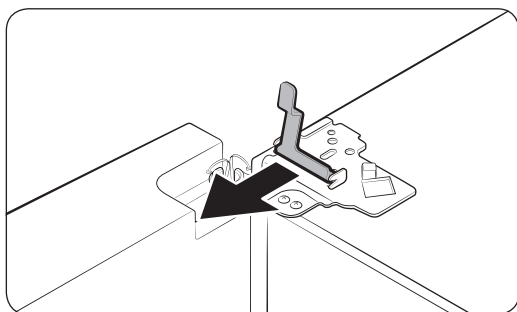
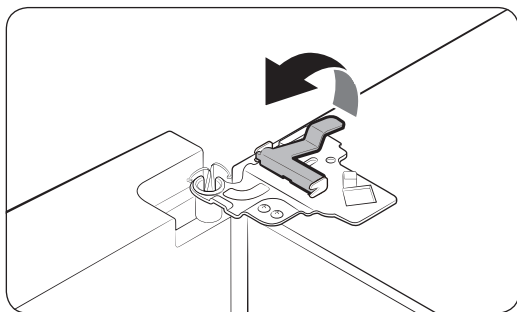
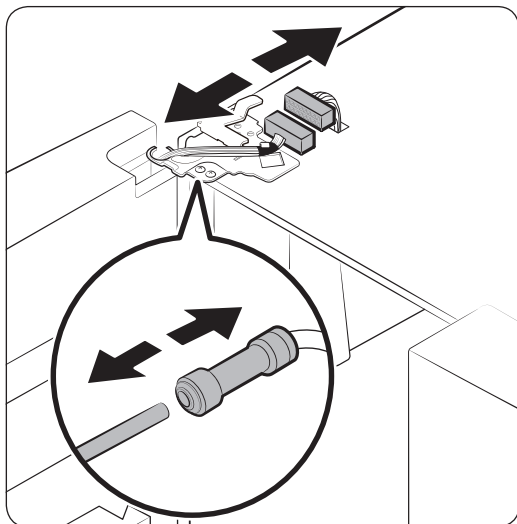


Clé hexagonale (5 mm)

Retrait des portes du réfrigérateur



1. Après avoir fermé la porte, utilisez un tournevis cruciforme pour retirer les vis (x3) de la plaque supérieure. Tirez la plaque vers le haut pour la retirer avec les connecteurs.



2. Débranchez les deux connecteurs de fils sur la porte gauche. La position des connecteurs diffère selon le modèle.

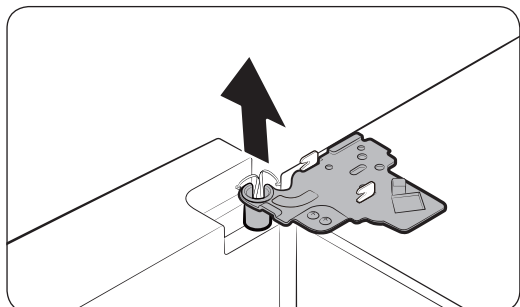
! ATTENTION

- Ne retirez pas les deux portes simultanément. Assurez-vous de retirer une seule porte à la fois. Sinon, les portes pourraient tomber et causer des blessures.
 - Assurez-vous que le réfrigérateur est hors tension avant de débrancher les connecteurs.
3. Débranchez le tuyau d'eau du coupleur sur la porte gauche, comme indiqué.

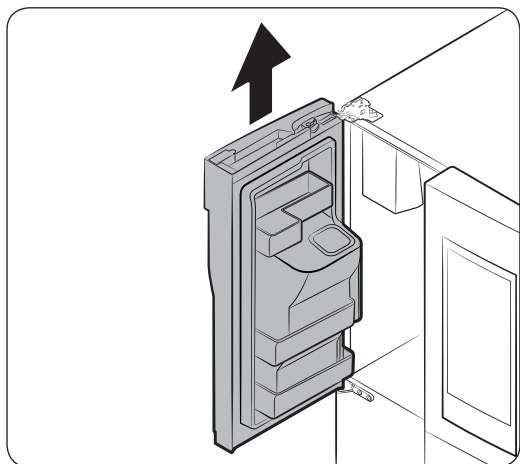
4. Soulevez doucement la bride de serrage en plusieurs étapes. Pour éviter les blessures aux doigts, n'exercez pas de pression soudaine sur la bride de serrage.

5. Tirez sur la bride de serrage vers le haut pour la retirer.

Installation



6. Ouvrez la porte à 90 degrés. Tout en tenant la porte, soulevez et retirez la charnière supérieure. Prenez garde à ne pas endommager les fils des connecteurs lors du retrait de la charnière.

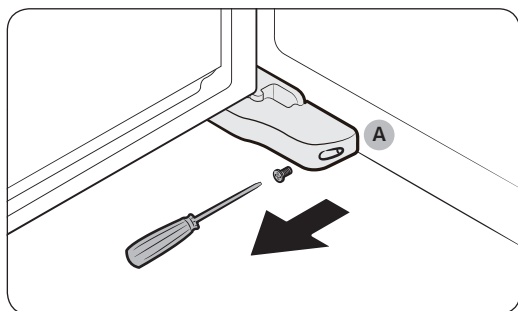


7. Tirez doucement la porte vers le haut (à la verticale) pour la retirer. N'exercez pas de pression excessive sur la porte. La porte pourrait tomber et entraîner des blessures.
8. Déposez la porte sur une surface plane.
9. Pour retirer l'autre porte, répétez les étapes ci-dessus (sauf l'étape 3). Il n'y a aucun tuyau d'eau sur la porte droite.

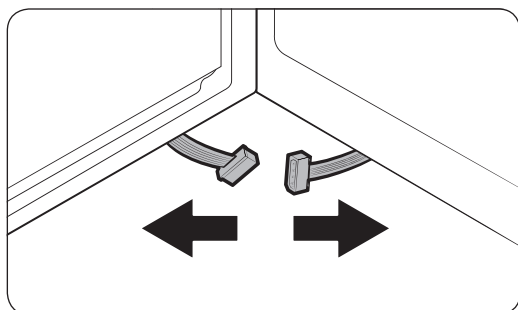
Retrait des portes du congélateur

⚠ ATTENTION

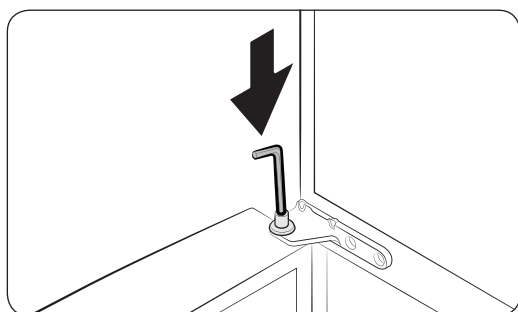
- Assurez-vous de retirer les portes du réfrigérateur avant celles du congélateur.
- Faites preuve de prudence lors du débranchement des connecteurs inférieurs.



1. Après avoir ouvert la porte du congélateur, utilisez un tournevis cruciforme pour retirer la vis fixant en place la **plaque (A)** du pied de mise de niveau.

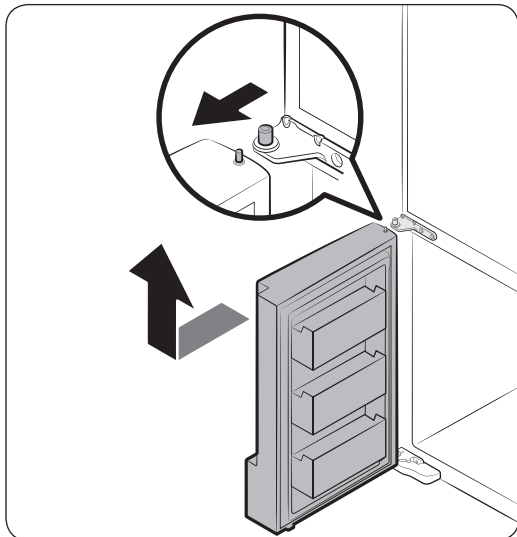


2. Débranchez les connecteurs de fils.



3. Repérez l'arbre de la charnière. Tout en tenant la porte avec une main, utilisez un tournevis à tête plate ou une clé pour appuyer sur l'arbre. Assurez-vous de bien tenir la porte afin d'éviter qu'elle ne tombe.

Installation

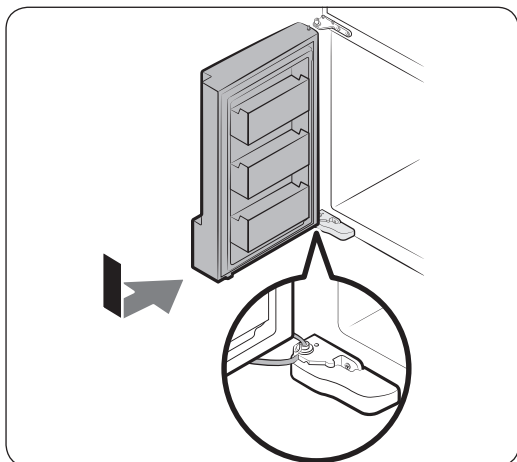


4. Pour éviter tout contact avec la charnière centrale, inclinez légèrement la porte vers l'avant, puis soulevez-la pour la retirer.
5. Recommencez les étapes ci-dessus pour l'autre porte.

Réinstallation des portes du congélateur

ATTENTION

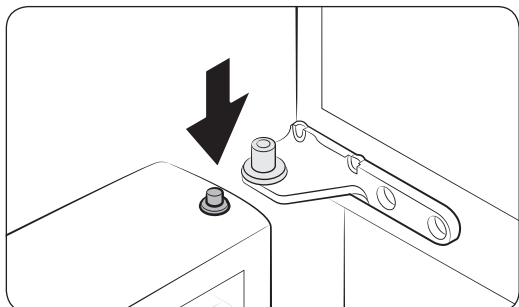
- Avant de réinstaller les portes, assurez-vous que tous les connecteurs électriques sont correctement branchés.
- Les portes du congélateur doivent être réinstallées avant celles du réfrigérateur.
- Assurez-vous de ne pas endommager les fils et de ne pas marcher dessus pendant ce processus.



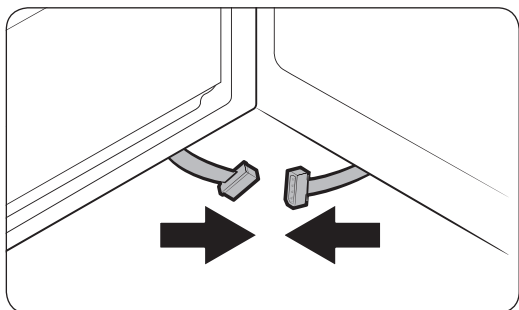
1. Insérez la porte du congélateur dans la charnière inférieure, tout en la poussant dans le sens de la flèche.

ATTENTION

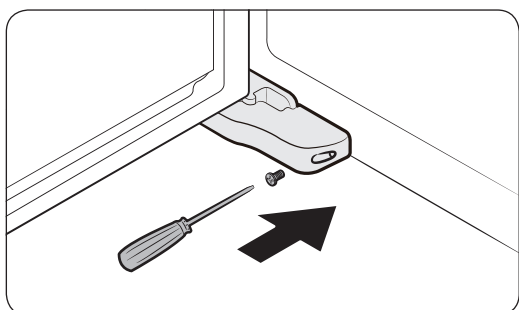
- Assurez-vous de ne pas endommager les fils et de ne pas marcher dessus pendant ce processus.



2. Tout en appuyant sur l'arbre de la charnière de la porte, positionnez la porte de sorte que l'arbre de la charnière se trouve en dessous du trou destiné à l'arbre dans la charnière centrale. Relâchez l'arbre de la charnière de sorte qu'il pénètre dans le trou de l'arbre.



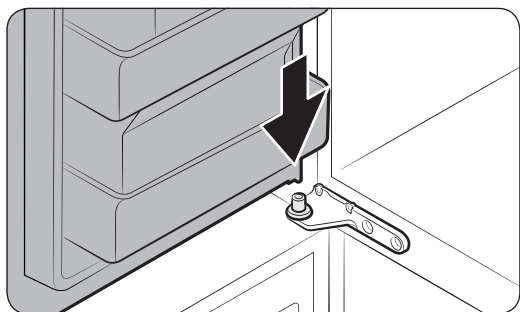
3. Après avoir ouvert la porte, branchez les connecteurs inférieurs dans le sens des flèches.



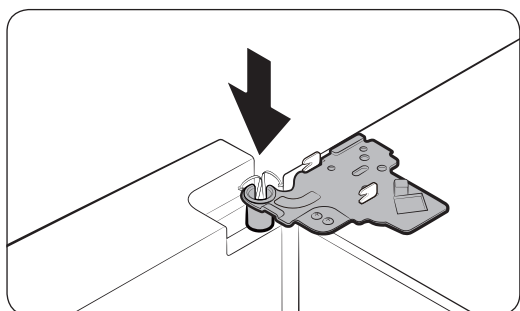
4. Fixez la plaque du pied de mise de niveau à l'aide d'un tournevis cruciforme. Assurez-vous de ne pas endommager les connecteurs et de ne pas marcher dessus.
5. Recommencez les étapes ci-dessus pour l'autre porte.

Installation

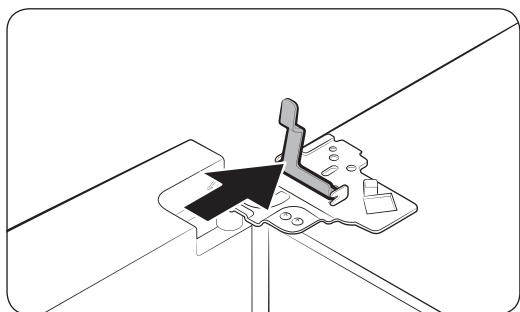
Réinstallation des portes du réfrigérateur



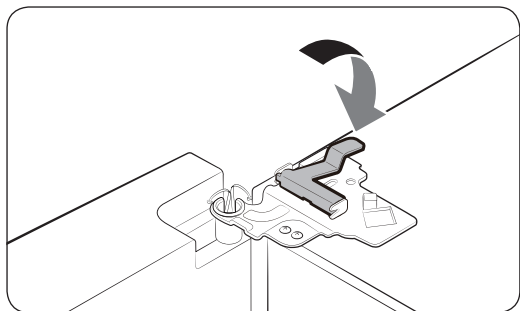
1. Tout en maintenant la porte ouverte à plus de 90 degrés, insérez l'arbre de la charnière centrale dans le trou situé au bas de la porte.



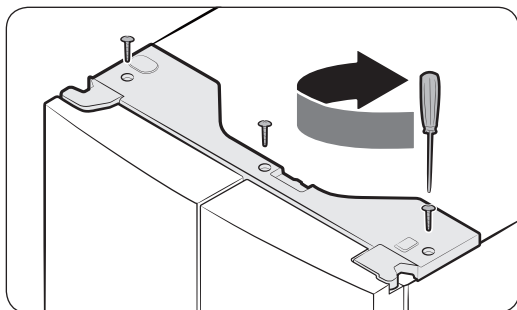
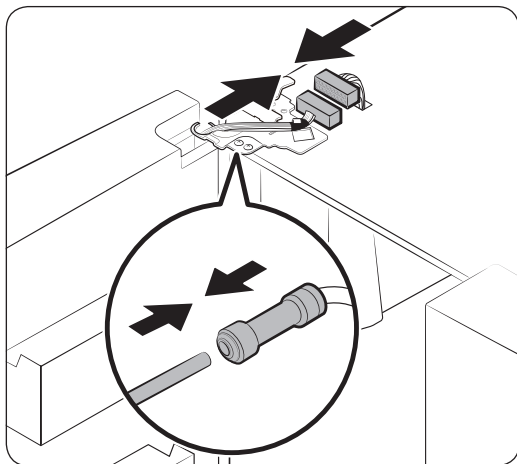
2. Mettez la charnière supérieure en position sur le haut du réfrigérateur, puis insérez l'arbre de la charnière dans le trou supérieur de la porte. Assurez-vous que les fils de la porte passent à travers le trou dans l'arbre de la charnière.



3. Insérez la bride de serrage dans le sens de la flèche.



4. Repoussez la bride de serrage comme indiqué.



5. Branchez les connecteurs de fils.

! ATTENTION

- Assurez-vous que les connecteurs de fils sont correctement branchés. Si ce n'est pas le cas, l'écran ne fonctionnera pas.

6. Raccordez le tuyau d'eau.

! ATTENTION

- Pour éviter les fuites d'eau, assurez-vous que les attaches rouges serrent le coupleur de façon appropriée.
- Gardez les attaches hors de portée des enfants.

7. Pour réinstaller l'autre porte, répétez les étapes ci-dessus (sauf l'étape 6). La porte de droite n'est pas dotée d'un tuyau d'eau

8. Fixez la plaque supérieure en commençant par l'avant, puis appuyez sur sa partie arrière pour la mettre en position. Serrez ensuite les vis (x3).

Installation

Installation étape par étape

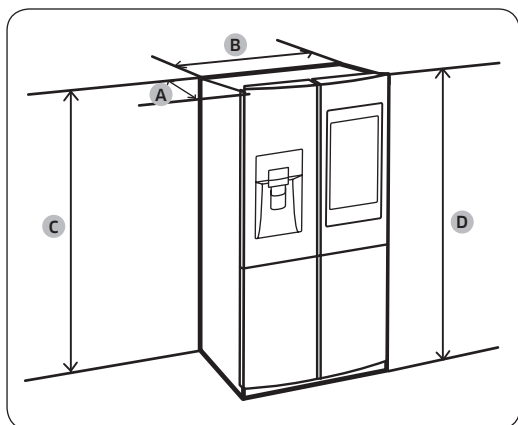
ÉTAPE 1 Choix de l'emplacement

L'emplacement doit respecter les exigences suivantes :

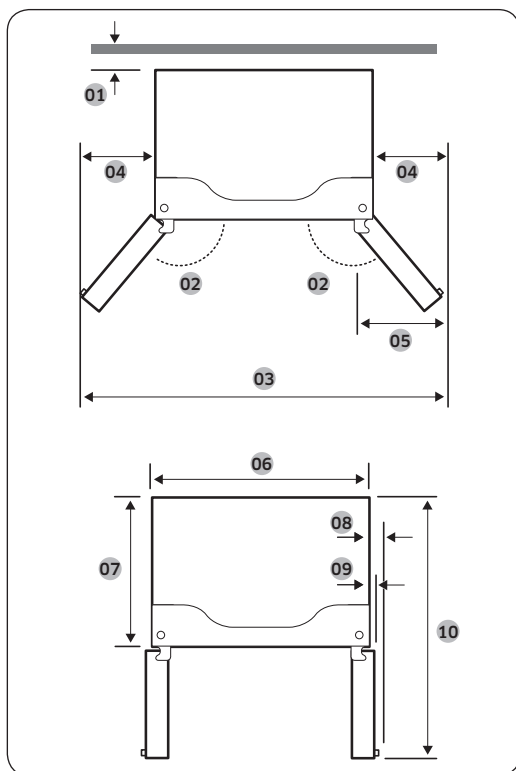
- il doit comporter une surface stable et de niveau, sans moquette et sans revêtement de sol pouvant obstruer la ventilation;
- il doit être à l'abri de la lumière directe du soleil;
- il doit y avoir suffisamment d'espace pour ouvrir et fermer la porte;
- il doit être éloigné de toute source de chaleur;
- il doit y avoir suffisamment d'espace pour la réalisation de travaux d'entretien et de réparation;
- la température doit se situer entre 10 °C (50 °F) et 43 °C (110 °F).

Espace de dégagement

Reportez-vous aux images et aux tableaux figurant ci-dessous et à la page suivante pour connaître les exigences en matière d'espace de dégagement pour l'installation.



Modèle	RF22M*	RF28M*
Profondeur « A »	28 ⁷ / ₈ po (733 mm)	34 ¹ / ₄ po (871 mm)
Largeur « B »	35 ³ / ₄ po (908 mm)	35 ³ / ₄ po (908 mm)
Hauteur « C »	70 ³ / ₄ po (1797 mm)	70 ³ / ₄ po (1797 mm)
Hauteur totale « D »	71 ⁷ / ₈ po (1825 mm)	71 ⁷ / ₈ po (1825 mm)



	RF22M*	RF28M*
1	2 po (50 mm)	2 po (50 mm)
2	125°	125°
3	59 5/8 po (1515 mm)	59 5/8 po (1515 mm)
4	11 7/8 po (303 mm)	11 7/8 po (303 mm)
5	12 po (305 mm)	12 po (305 mm)
6	35 3/4 po (908 mm)	35 3/4 po (908 mm)
7	24 po (610 mm)	29 3/8 po (748 mm)
8	2 3/4 po (70 mm)	2 3/4 po (70 mm)
9	1 3/4 po (43 mm)	1 3/4 po (43 mm)
10	42 5/8 po (1083 mm)	48 1/8 po (1221 mm)

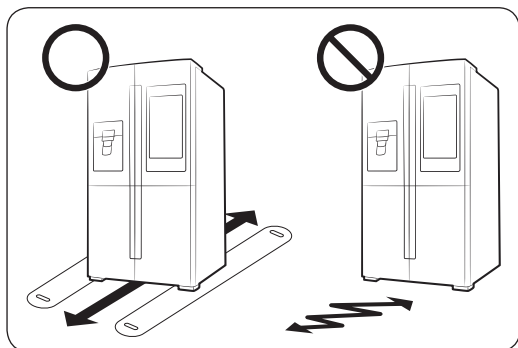
REMARQUE

Les mesures de votre réfrigérateur peuvent différer de celles indiquées ci-dessus, selon la méthode de mesure.

Installation

Installation

ÉTAPE 2 Plancher



- La surface de l'emplacement d'installation doit pouvoir supporter le poids d'un réfrigérateur plein.
- Pour protéger le plancher, placez un grand morceau de carton sous chaque pied du réfrigérateur lorsque vous le déplacez pour l'installation.
- Lorsque le réfrigérateur se trouve dans sa position finale, ne le déplacez plus, sauf si cela est nécessaire. Vous protégerez ainsi le plancher. Si vous devez déplacer le réfrigérateur, mettez du papier ou un tissu épais tel qu'une vieille moquette le long du parcours de transport.

REMARQUE

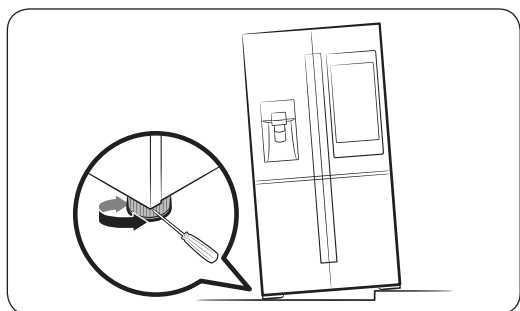
Si le réfrigérateur ne peut pas passer la porte d'entrée de votre maison ou de votre cuisine en raison de sa taille, reportez-vous à la section **Retrait des portes pour le passage par la porte d'entrée** à la page 18.

ÉTAPE 3 Réglage des pieds de mise à niveau

ATTENTION

- Le réfrigérateur doit être installé de façon à ce qu'il soit de niveau, sur un sol plat et solide. Le fait de ne pas mettre le réfrigérateur de niveau pourrait causer des blessures ou des dommages au réfrigérateur.
- Le réfrigérateur doit être vide lorsqu'il est mis de niveau. Assurez-vous qu'aucun aliment n'est encore présent à l'intérieur du réfrigérateur.
- Pour des raisons de sécurité, la partie avant doit être légèrement plus élevée que la partie arrière.

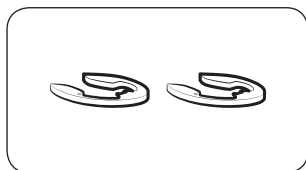
Mettez le réfrigérateur de niveau au moyen des vis spéciales (vis de mise de niveau) situées sur les pieds avant. Utilisez un tournevis à tête plate pour tourner les vis de mise de niveau.



- Pour régler la hauteur du côté gauche : Insérez un tournevis à tête plate dans la vis de mise de niveau située sur le pied avant gauche. Faites tourner la vis de mise de niveau dans le sens horaire pour élever le réfrigérateur ou dans le sens antihoraire pour l'abaisser.
- Pour régler la hauteur du côté droit : Insérez un tournevis à tête plate dans la vis de mise de niveau située sur le pied avant droit. Faites tourner la vis de mise de niveau dans le sens horaire pour élever le réfrigérateur ou dans le sens antihoraire pour l'abaisser.

Installation

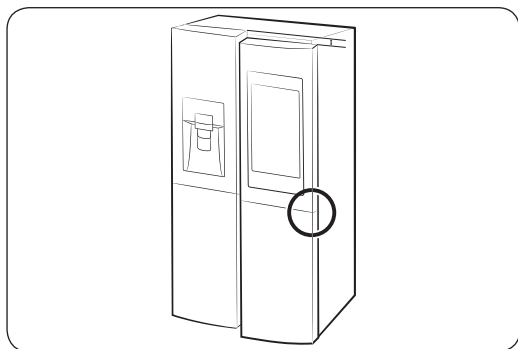
ÉTAPE 4 Réglage de la hauteur des portes et de l'écart entre les portes



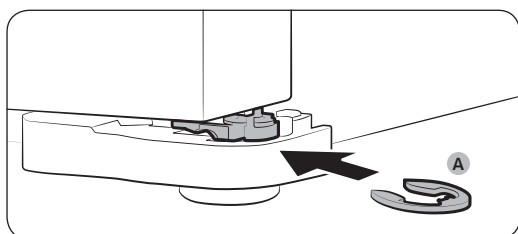
Anneaux de retenue

La hauteur des portes peut être réglée à l'aide des anneaux de retenue fournis dans 4 tailles différentes (1 mm, 1,5 mm, 2 mm et 2,5 mm).

Pour régler la hauteur d'une porte :



1. Vérifiez la différence de hauteur entre les portes, puis soulevez et maintenez en place la porte la plus basse.

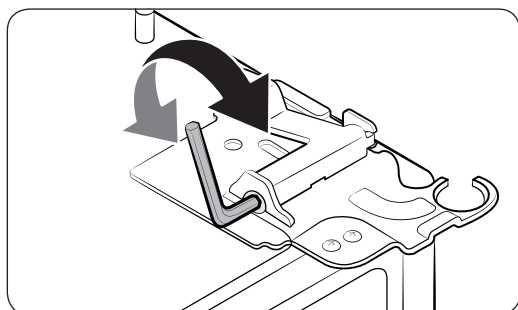
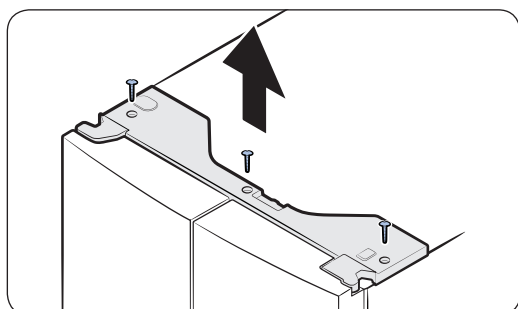
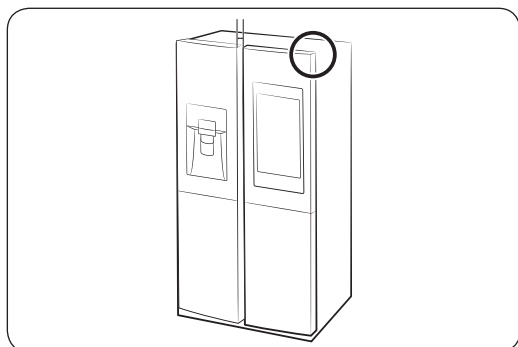


2. Insérez un **anneau de retenue (A)** de taille appropriée entre la porte et la charnière, comme indiqué.

⚠ ATTENTION

- Insérez un seul anneau de retenue. Si vous insérez deux anneaux ou plus, ils pourraient glisser et tomber ou émettre un bruit de frottement.
- Tenez les anneaux de retenue hors de portée des enfants et conservez-les pour une utilisation ultérieure.
- Ne soulevez pas trop la porte. La porte pourrait entrer en contact avec la plaque supérieure et l'endommager.

Correction de l'écart entre les portes



L'écart entre les portes peut être corrigé à l'aide du boulon destiné à cet effet situé sur le coin supérieur droit du réfrigérateur.

1. Après avoir fermé la porte, utilisez un tournevis cruciforme pour retirer les 6 vis de la **plaque supérieure**. Retirez ensuite la **plaque supérieure**, de même que les connecteurs de fils.
2. Utilisez une **clé hexagonale** de 4 mm (non fournie) pour corriger l'écart entre les deux portes.
 - Pour agrandir l'écart, faites tourner le boulon de réglage de l'écart dans le sens horaire.
 - Pour rétrécir l'écart, faites tourner le boulon de réglage de l'écart dans le sens antihoraire.
3. Une fois l'opération terminée, réinstallez la plaque supérieure, puis réinsérez les vis qui la tiennent en place. Serrez les vis.

ATTENTION

Les connecteurs électriques doivent être laissés intacts pendant ce processus. Veillez à ne pas emmêler les fils des connecteurs ou à ne pas enlever leur revêtement.

Installation

ÉTAPE 5 Raccordement du circuit du distributeur d'eau

Le distributeur d'eau avec filtre est l'une des caractéristiques très pratiques que vous offre votre nouveau réfrigérateur. Pour favoriser une meilleure santé, le filtre à eau supprime toutes les particules indésirables présentes dans l'eau. Toutefois, il ne permet pas de stériliser l'eau ni de détruire les micro-organismes. Pour ce faire, vous pourriez devoir acheter un système de purification de l'eau.

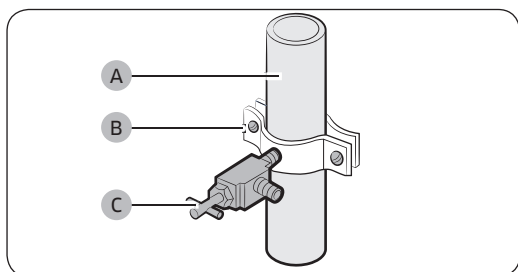
La conduite d'eau est également connectée à la machine à glaçons. Pour que la machine à glaçons puisse fonctionner correctement, la pression de l'eau doit se situer entre 20 et 125 psi.

Si le réfrigérateur est installé dans une zone où la pression de l'eau est faible (inférieure à 20 psi), vous pouvez installer une pompe d'appoint pour compenser la faible pression.

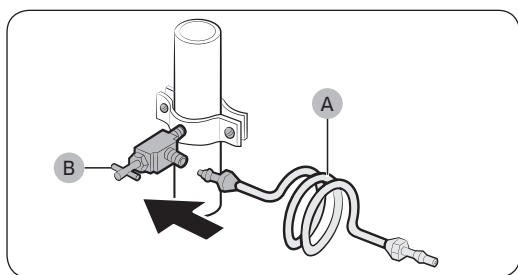
Après avoir raccordé la conduite d'eau, assurez-vous que le réservoir d'eau à l'intérieur du réfrigérateur se remplit bien. Pour ce faire, appuyez sur le levier du distributeur d'eau jusqu'à ce que de l'eau s'écoule par la sortie d'eau.

REMARQUE

- Les détaillants offrent des trousse d'installation de conduite d'eau moyennant des frais supplémentaires. Il est recommandé d'utiliser une trousse d'installation de conduite d'eau comportant un tube en cuivre et un écrou de serrage de 6 mm (1/4 po).
- Utilisez uniquement les nouveaux tuyaux fournis avec l'appareil. Ne réutilisez pas d'anciens tuyaux.



1. Fermez la conduite principale d'alimentation en eau.
2. Installez le collier de serrage (B) et le robinet de sectionnement (C) sur la conduite d'eau froide (A).

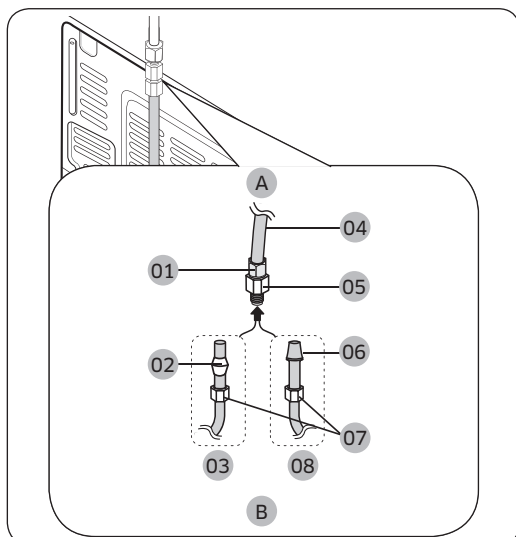


3. Raccordez la trousse d'installation de conduite d'eau (A) au robinet de sectionnement (B).

Raccordement de la conduite d'alimentation en eau au réfrigérateur

Vous devez acheter plusieurs articles pour effectuer ce raccordement. Ces accessoires sont en vente sous forme de trousse à votre quincaillerie locale.

Tube en cuivre	<ul style="list-style-type: none">• Tube en cuivre de 1/4 po• Écrou à compression de 1/4 po (1 pièce)• Bagues (2 pièces)
Tube en plastique	<ul style="list-style-type: none">• Tube en plastique de 1/4 po → Extrémité moulée (en forme de poire)• Écrou à compression de 1/4 po (1)



- A. Réfrigérateur
- B. Conduite d'alimentation en eau domestique
- 01 Écrou de serrage (1/4 po) (assemblé)
- 02 Bague (non fournie)
- 03 Tube en cuivre (non fourni)
- 04 Tuyau en plastique (assemblé)
- 05 Raccord à compression (assemblé)
- 06 Extrémité moulée (en forme de poire)
- 07 Écrou à compression (B) (1/4 po) (non fourni)
- 08 Tube en plastique (A) (non fourni)

1. Reliez la conduite d'eau domestique au raccord à compression assemblé.
 - Si vous utilisez un tube en cuivre, faites glisser l'**écrou à compression (B)** (non fourni) et la **bague** (non fournie) sur le tube en cuivre (non fourni), comme illustré.
 - Si vous utilisez un tube en plastique (A), insérez l'extrémité moulée (en forme de poire) du tube en plastique (A) dans le raccord à compression.

⚠ ATTENTION

Si vous utilisez un tube en plastique (A), ne l'utilisez pas sans l'extrémité moulée (en forme de poire).

2. Serrez l'**écrou à compression (B)** sur le **raccord à compression**. Ne serrez pas trop l'**écrou à compression (B)**.
3. Ouvrez l'alimentation en eau et assurez-vous qu'il n'y a pas de fuite. Si vous détectez des gouttes ou des fuites d'eau au niveau des raccords, fermez l'alimentation en eau principale. Vérifiez les raccords et resserrez-les au besoin.
4. Laissez s'écouler 1 gallon (4 l) d'eau à travers le filtre avant de consommer ou d'utiliser l'eau du réfrigérateur (laissez s'écouler l'eau pendant environ 6 minutes). Pour ce faire, appuyez sur le levier du distributeur d'eau avec un verre ou une tasse de grande taille. Remplissez le verre, videz-le, puis recommencez.

Installation

5. Après avoir mis le réfrigérateur en marche, laissez la machine à glaçons fabriquer de la glace pendant 1 à 2 jours. Pendant cette période, jetez le premier ou les deux premiers bacs de glace afin d'évacuer toutes les impuretés de la conduite d'eau.

REMARQUE

Raccordez la conduite d'eau à une source d'eau potable uniquement.

- Si vous devez réparer ou démonter la conduite d'eau, coupez $\frac{1}{4}$ po du tube en plastique afin d'assurer un raccordement sûr et étanche.
- Vous pouvez rapidement tester la conduite d'eau à l'aide d'un gobelet en papier. Dans des conditions normales, le distributeur d'eau remplit un gobelet de 5 $\frac{3}{4}$ oz (170 cm³) en environ 10 secondes.

ÉTAPE 6 Réglages initiaux

Une fois les étapes suivantes terminées, le réfrigérateur devrait être complètement fonctionnel.

1. Insérez la fiche d'alimentation dans la prise murale pour mettre le réfrigérateur en marche.
2. Ouvrez la porte et vérifiez si l'éclairage à l'intérieur s'allume.
3. Réglez le réfrigérateur à la température la plus froide, puis attendez environ une heure. Le congélateur devrait être légèrement réfrigéré, et le moteur devrait tourner doucement.
4. Attendez jusqu'à ce que le réfrigérateur atteigne la température réglée. Le réfrigérateur sera alors prêt pour l'utilisation.

ÉTAPE 7 Vérification finale

Lorsque l'installation est terminée, assurez-vous de ce qui suit :

- Le réfrigérateur est branché sur une prise électrique et correctement mis à la terre.
- Le réfrigérateur est installé sur une surface plane et de niveau, à une distance appropriée de tout mur et de toute armoire.
- Le réfrigérateur est de niveau et repose de manière stable sur le sol.
- La porte s'ouvre et se ferme sans obstacles et l'éclairage intérieur s'allume automatiquement dès que vous ouvrez la porte.

Utilisation

Interface utilisateur

REMARQUE

- Pour obtenir des renseignements détaillés sur les fonctions du réfrigérateur et les applications, reportez-vous au guide d'utilisation accessible à partir de l'écran ACL de votre réfrigérateur.
- Le contenu et le design des applications et des gadgets logiciels pourraient changer. De plus, leur prise en charge pourrait être interrompue sans préavis, selon la politique du fournisseur du contenu.
- Les enfants doivent être supervisés par des adultes lorsqu'ils utilisent les fonctions, les applications et les services du réfrigérateur.
- Les applications PANDORA sont uniquement disponibles aux États-Unis.



- 01 Écran d'accueil
- 02 Barre des tâches

Utilisation

01 Écran d'accueil



01 Applications et gadgets logiciels

- Touchez l'application ou le gadget logiciel de votre choix pour l'ouvrir.
- Maintenez votre doigt appuyé sur une application ou un gadget logiciel pour passer en mode Modifier. Une grille s'affiche. En mode Modifier, vous pouvez glisser et déposer une application ou un gadget logiciel à un autre emplacement sur la grille. Lorsque vous déplacez l'application ou le gadget logiciel vers un nouvel emplacement, celui-ci devient bleu s'il est disponible. S'il ne l'est pas, il devient en rouge.
- Vous pouvez ajouter des applications ou des gadgets logiciels qui ont été retirés de la liste All Apps (Toutes les applications).

02 Barre d'état

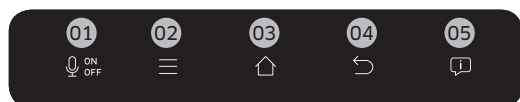
- **Bluetooth** (⌘) : Indique l'état de la connexion Bluetooth.
- **USB** (ψ) : Indique l'état de la connexion USB.
- **Gestion à distance** (📶) : S'allume lorsque l'option Gestion à distance est activée et en fonction.

REMARQUE

Le réfrigérateur prend en charge les dispositifs de mémoire USB formatés avec les systèmes de fichiers FAT32 ou exFAT. Le système NTFS n'est pas pris en charge. Assurez-vous de convertir les dispositifs formatés avec NTFS en dispositifs formatés avec FAT32 ou exFAT avant l'utilisation.

- **Réseau** (📶) : Indique l'état de connexion réseau sur 5 niveaux (désactivée, 1 à 4).

02 Barre des tâches

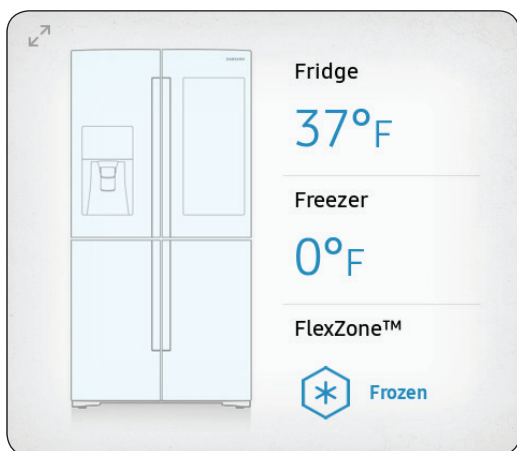


01 Microphone	Touchez cette icône pour activer ou désactiver la fonction de reconnaissance vocale. L'icône du microphone devient rouge lorsque la fonction est désactivée.
02 Menu	Touchez cette icône pour afficher les menus disponibles.
03 Accueil	<ul style="list-style-type: none">• Touchez cette icône pour ouvrir l'écran d'accueil.• Maintenez votre doigt appuyé sur cette icône pour ouvrir le Gestionnaire de tâches. Consultez la section Gestionnaire de tâches pour en savoir plus.
04 Retour	Touchez cette icône pour revenir à l'écran précédent.
05 Notification	Touchez cette icône pour afficher le Panneau de contrôle rapide.

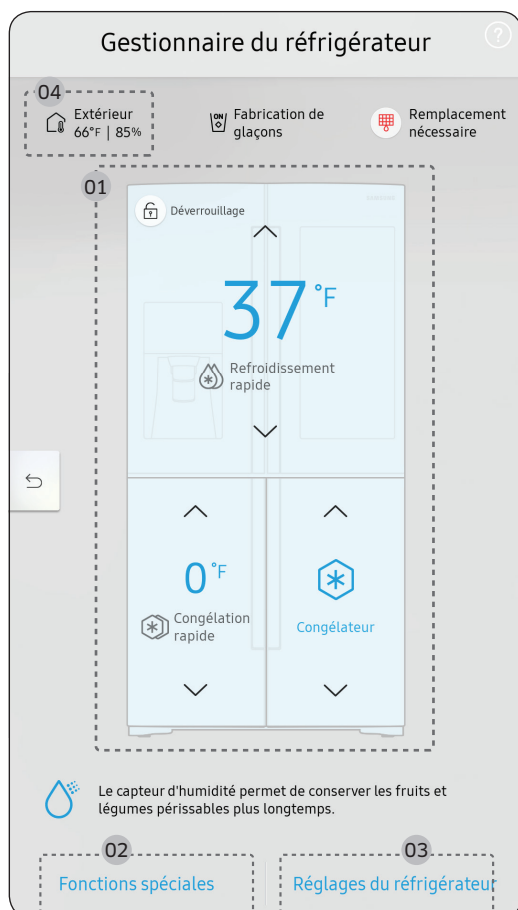
Utilisation

Gestionnaire du réfrigérateur

Pour accéder au Gestionnaire du réfrigérateur, faites glisser l'écran d'accueil vers la gauche, puis touchez le gadget logiciel Gestionnaire du réfrigérateur.



- Sur le gadget logiciel Gestionnaire du réfrigérateur, les températures actuelles du réfrigérateur et du congélateur s'affichent, de même que les fonctions spéciales actives.
- Pour accéder aux paramètres détaillés, touchez le gadget logiciel afin d'ouvrir le Gestionnaire du réfrigérateur.



Le Gestionnaire du réfrigérateur fournit une représentation graphique de votre réfrigérateur. La partie supérieure représente le compartiment de réfrigération, la partie inférieure gauche représente le compartiment de congélation, et la partie inférieure droite représente le compartiment FlexZone. Les réglages de température et de mode associés à chacun de ces compartiments sont indiqués dans chaque partie de l'image.

Présentation rapide du Gestionnaire du réfrigérateur

01 Température

Vous pouvez changer la température réglée dans le réfrigérateur, le congélateur et le compartiment FlexZone. Vous pouvez également activer ou désactiver la fonction Refroidissement rapide du réfrigérateur et la fonction Congélation rapide du congélateur.

- La fonction Congélation rapide accélère le processus de congélation en réglant le ventilateur à sa vitesse maximale. Le congélateur fonctionne à vitesse maximale durant plusieurs heures avant de revenir à la température précédente.
- Pour congeler une grande quantité d'aliments, activez la fonction Congélation rapide au moins 20 heures avant de placer les aliments dans le congélateur.

REMARQUE

L'utilisation de la fonction Congélation rapide augmente la consommation d'énergie. Si vous n'avez plus besoin de cette fonction, assurez-vous de la désactiver pour revenir à la température précédente.

02 Fonctions spéciales

Cette section vous permet de voir une brève description de certaines des fonctions spéciales du réfrigérateur.

03 Réglages du réfrigérateur

Vous pouvez modifier de nombreux réglages du réfrigérateur, comme ceux des fonctions de fabrication de glaçons et d'alarme de la porte, ainsi que les unités de température (°F ou °C). Consultez la page suivante pour obtenir plus de détails.

Utilisation

04 Conditions externes


Vous pouvez voir la température et le taux d'humidité (ambiants) externes.

REMARQUE

Les conditions affichées peuvent différer de la température et du taux d'humidité réels.

REMARQUE

L'indicateur **Machine à glaçons désactivée** s'affiche aussi en haut, au centre. Lorsque l'indicateur **Machine à glaçons désactivée** est affiché, cela signifie que la machine à glaçons est désactivée.

Fabrication de glaçons	Permet d'activer et de désactiver la machine à glaçons. Faites glisser le bouton pour activer ou désactiver la fonction. Veuillez noter que si le bac à glaçons est rempli de glace, le réfrigérateur ne commencera pas à fabriquer de la glace lorsque vous ferez glisser le bouton à MARCHE. Vous verrez plutôt l'indicateur de machine à glaçons désactivée s'afficher sur l'écran principal.
Verrouillage du distributeur	Permet d'activer ou de désactiver les distributeurs de glace et d'eau. Faites glisser le bouton pour activer ou désactiver la fonction.
Alarme de la porte	L'alarme de la porte retentit si cette dernière reste ouverte. Faites glisser le bouton pour activer ou désactiver la fonction.
Unité de temp.	Permet de changer d'échelle de température : Celsius ou Fahrenheit. Touchez °F ou °C pour modifier l'échelle.
Filtre à eau	Fournit un tutoriel sur le remplacement du filtre à eau et vous permet de réinitialiser l'indicateur de remplacement du filtre à eau. Touchez le bouton pour accéder à cette fonction.  REMARQUE Après avoir installé le filtre à eau, touchez Filtre à eau , puis RÉINITIALISER . Toucher RÉINITIALISER vous permet de réinitialiser la fonction qui mesure le temps restant avant le prochain remplacement du filtre à eau.
Auto-vérification	L'autovérification est une fonction d'autodiagnostic. Touchez le bouton pour accéder à cette fonction. Touchez DÉMARRER pour la lancer.
Réponse à la demande	Fonctionne avec le gestionnaire d'économie d'énergie Smart Grid. Touchez le bouton pour accéder à cette fonction. Faites glisser le bouton pour activer ou désactiver la fonction. Consultez la section sur la fonction Smart Grid (Réponse à la demande) du présent guide pour obtenir de plus amples renseignements.



Désactivation du refroidissement	<p>Le mode Désactivation du refroidissement (également appelé Mode magasin) est destiné aux détaillants qui présentent les réfrigérateurs dans leur magasin.</p> <p>En mode Désactivation du refroidissement, seuls le moteur du ventilateur et les ampoules du réfrigérateur fonctionnent; les compresseurs du réfrigérateur et du congélateur sont désactivés et ne produisent donc pas d'air froid. Si le mode Désactivation du refroidissement est activé, toutes les commandes de refroidissement se DÉSACTIVERONT sur le Gestionnaire du réfrigérateur.</p> <p>Faites glisser le bouton pour activer ou désactiver la fonction.</p>
---	---

Utilisation

Réglages

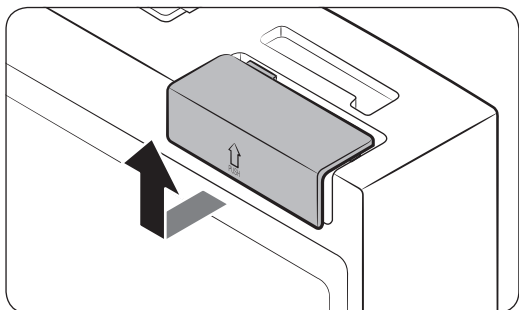
Affichage	<ul style="list-style-type: none">Vous pouvez régler la luminosité de l'écran, les fonds d'écran, le réveil automatique de l'écran, le détecteur de mouvement ainsi que le thème, la durée et l'heure de démarrage de l'économiseur d'écran.
Son	<ul style="list-style-type: none">Réglez le volume et l'égaliseur, et activez ou désactivez le son de l'écran tactile.
Wi-Fi	<ul style="list-style-type: none">Activez ou désactivez une connexion Wi-Fi. Le réseau Wi-Fi actuel apparaît en premier sur la liste des points d'accès.
Bluetooth	<ul style="list-style-type: none">Jusqu'à 4 appareils Bluetooth récemment synchronisés sont répertoriés.Pour ajouter un nouvel appareil lorsqu'il y en a déjà 4 sur la liste, désynchronisez d'abord l'un de ces appareils synchronisés.Les appareils pouvant être synchronisés sont des casques d'écoute, des écouteurs et des haut-parleurs Bluetooth.
Voix	<ul style="list-style-type: none">Réglez la langue de la fonction Voix et activez ou désactivez la rétroaction vocale et le réveil vocal.
Profil	<ul style="list-style-type: none">Vous pouvez ajouter, modifier ou supprimer un profil.
Contrôle parental	<ul style="list-style-type: none">Activez ou désactivez les restrictions sur les fonctions et applications Family Hub.
Langue	<ul style="list-style-type: none">Sélectionnez la langue de votre choix. Les langues offertes dépendent de la région dans laquelle l'appareil a été vendu.
Date et heure	<ul style="list-style-type: none">Assurez-vous que la fonction Mise à jour automatique est activée et qu'une connexion a bien été établie avec le réseau Wi-Fi. Ouvrez la porte du réfrigérateur et repérez le bouton de réinitialisation de l'affichage à l'intérieur de la porte. Appuyez sur le bouton, puis réappuyez sur celui-ci pour réinitialiser l'affichage. Ensuite, la date et l'heure seront synchronisées à partir du serveur temporel.Vous pouvez changer le fuseau horaire dans le menu Fuseau horaire.
À propos de l'appareil	<ul style="list-style-type: none">Assurez-vous que la fonction Mise à jour du logiciel est activée et qu'une connexion a bien été établie avec le réseau Wi-Fi.Lorsque des mises à jour sont disponibles, le bouton Actualiser devient actif. Une fois les mises à jour terminées, le réfrigérateur redémarre automatiquement.Le Contrat de licence du logiciel libre (Open Source License Agreement) s'affiche dans les renseignements juridiques. Touchez cet élément dans la liste pour ouvrir l'annonce de logiciel libre.
Connexion facile	<ul style="list-style-type: none">La fonction Connexion facile peut être utilisée avec des applications pour téléphones intelligents Samsung et vous permet de connecter votre réfrigérateur au même réseau Wi-Fi domestique que votre téléphone intelligent.

Authentification de l'appareil	<ul style="list-style-type: none"> La fonction Authentification de l'appareil peut être utilisée avec des applications pour téléviseurs intelligents Samsung; des renseignements privés concernant le réfrigérateur peuvent alors être partagés avec le téléviseur. La disponibilité de cette fonction dépend du modèle de l'appareil.
Mode de nettoyage de l'écran	<ul style="list-style-type: none"> Activez cette fonction pour pouvoir nettoyer l'écran sans que des applications s'activent.
Accessibilité	<ul style="list-style-type: none"> Activez ou désactivez la fonction de lecteur d'écran destinée aux utilisateurs aveugles ou malvoyants.
Guide en ligne	<ul style="list-style-type: none"> Le guide en ligne vous expliquera directement à l'écran les divers menus et applications du réfrigérateur.
Rétablissement des données par défaut	<ul style="list-style-type: none"> Touchez Réinitialiser pour redémarrer le réfrigérateur en mode Rétablissement des données par défaut. Toutes les données des utilisateurs seront supprimées définitivement. Les données qui seront supprimées incluent les renseignements sur le compte, les mémos, les photos et les réglages des utilisateurs. <p>⚠ ATTENTION</p> <p>Une fois le rétablissement des données par défaut effectué, aucune donnée d'utilisateur ne pourra être récupérée.</p>
Gestion à distance	<ul style="list-style-type: none"> Utilisez la fonction Gestion à distance pour permettre à un représentant de service de diagnostiquer les problèmes et de fournir des solutions à distance. La fonction Gestion à distance nécessite une connexion Wi-Fi. Le menu Gestion à distance ne s'affiche pas sur les modèles qui ne prennent pas en charge la Gestion à distance.

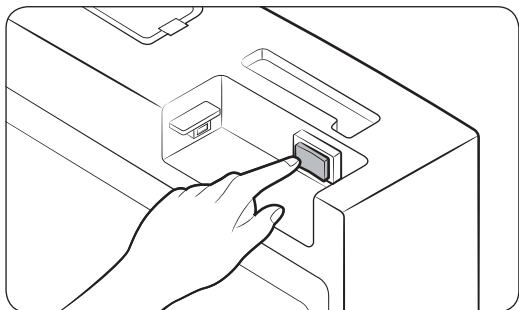
Utilisation

Réinitialisation de l'écran (modèles applicables uniquement)

Si l'écran ne fonctionne pas correctement, essayez de le réinitialiser. Il est possible que le problème se règle ainsi.



1. Ouvrez la porte droite du réfrigérateur et repérez le couvercle de l'interrupteur dans le coin supérieur droit de la porte.
2. Poussez le couvercle vers le haut pour accéder à l'interrupteur d'alimentation.



3. Mettez l'interrupteur en position d'arrêt, puis remettez-le en position de marche.
4. Remplacez le couvercle de l'interrupteur. Vous entendrez un « clic » lorsqu'il sera bien en place.

Samsung Connect

Installation

Rendez-vous sur Google Play Store, Galaxy Apps ou Apple App Store et recherchez « Samsung Connect ». Téléchargez et installez l'application Samsung Connect fournie par Samsung Electronics sur votre périphérique intelligent.

REMARQUE

- L'application Samsung Connect est conçue pour Android 6.0 (Marshmallow) ou une version supérieure et pour iOS 9.0 ou une version supérieure. De plus, elle est optimisée pour les smartphones Samsung (séries Galaxy S et Galaxy Note).
- Pour bénéficier de meilleures performances, l'application Samsung Connect est soumise à modifications sans préavis ou à une interruption de la prise en charge en fonction de la politique du fabricant.
- Les systèmes de cryptage recommandés incluent WPA/TKIP et WPA2/AES. Tout protocole d'authentification Wi-Fi plus récent ou non standard n'est pas pris en charge.
- L'environnement de communication sans fil peut avoir une incidence sur les réseaux sans fil.
- Si votre fournisseur de services Internet a enregistré l'adresse MAC de votre ordinateur ou de votre modem à des fins d'identification, il est possible que votre réfrigérateur intelligent Samsung ne parvienne pas à se connecter à Internet. Si tel est le cas, communiquez avec votre fournisseur de services Internet pour obtenir du soutien technique.
- Il est possible que les paramètres du pare-feu de votre système de réseau empêchent votre réfrigérateur intelligent Samsung d'accéder à Internet. Si tel est le cas, communiquez avec votre fournisseur de services Internet pour obtenir du soutien technique. Si le problème persiste, communiquez avec un centre de services ou un détaillant Samsung local.
- Pour configurer les paramètres du point d'accès sans fil, consultez le guide d'utilisation du point d'accès (routeur).
- Les réfrigérateurs intelligents Samsung prennent en charge la connexion Wi-Fi (2,4 GHz) avec les protocoles IEEE 802.11b/g/n et Soft-AP (le protocole IEEE 802.11n est recommandé).
- Il est possible que les routeurs Wi-Fi sans fil non autorisés ne parviennent pas à se connecter aux réfrigérateurs intelligents Samsung applicables.

Utilisation

Compte Samsung

Vous devez enregistrer votre compte Samsung pour utiliser l'application. Si vous n'avez pas de compte Samsung, suivez les instructions de l'application affichées à l'écran pour en créer un gratuitement.

Pour commencer

Allumez le périphérique que vous souhaitez connecter, ouvrez l'application Samsung Connect sur votre téléphone, puis suivez les instructions ci-dessous.

Si une fenêtre contextuelle apparaît en indiquant qu'un nouveau périphérique a été détecté, appuyez sur **ADD NOW (AJOUTER MAINTENANT)**.

En l'absence de fenêtre contextuelle, appuyez sur le bouton **+**, puis sélectionnez le périphérique que vous souhaitez connecter dans la liste des périphériques disponibles.

Si votre périphérique ne figure pas dans la liste des périphériques disponibles, ajoutez-le manuellement en sélectionnant le type de périphérique et sélectionnez le modèle de périphérique spécifique.

Suivez les instructions pour configurer votre périphérique.

1. Connectez-vous à votre compte Samsung (si ce n'est pas le cas).
2. Ajoutez le périphérique.
3. Vérifiez la connexion.
4. Repérez et connectez votre périphérique à un réseau Wi-Fi.
5. Enregistrez le périphérique.
6. La configuration est terminée. Votre périphérique apparaît désormais sous forme de carte sur l'écran My devices (Mes périphériques).

Application pour le réfrigérateur

Contrôle intégré

Vous pouvez surveiller et contrôler votre réfrigérateur chez vous et à l'extérieur.

- Appuyez doucement sur l'icône **réfrigérateur** dans l'application Samsung Connect pour ouvrir la page Réfrigérateur.
- Vérifiez l'état de fonctionnement et les notifications relatives à votre réfrigérateur, puis modifiez des options ou des réglages au besoin.

REMARQUE

Il est possible que certaines options et certains réglages ne soient pas compatibles avec la commande à distance.

Catégorie	Élément	Description
Surveillance	Température du réfrigérateur	Affiche le réglage de température actuel du réfrigérateur.
	Température du congélateur	Affiche le réglage de température actuel du congélateur.
	Réglages FlexZone™	Affiche les réglages du compartiment FlexZone™.
	Diagnostic	Détecte les opérations anormales du réfrigérateur.
	Suivi de la consommation d'énergie	Vérifie la consommation d'énergie cumulée du réfrigérateur pour les 180 derniers jours.
Fonctions	Fabrication de glaçons	Vous pouvez activer et désactiver la fonction de fabrication de glace, et vérifier les réglages actuels de cette fonction.
		Vous pouvez aussi vérifier l'état et la progression de la fabrication de glace.
	Refroidissement rapide	Vous pouvez activer et désactiver la fonction de refroidissement rapide, et vérifier les réglages actuels.
	Congélation rapide	Vous pouvez activer et désactiver la fonction de congélation rapide, et vérifier les réglages actuels.
Alertes	Température anormalement élevée	Cette alerte se déclenche lorsque la température est anormalement élevée dans le réfrigérateur, le congélateur ou le compartiment FlexZone™.
	Porte ouverte	Cette alerte se déclenche lorsque la porte du réfrigérateur, du congélateur ou du compartiment FlexZone™ est laissée ouverte pendant une période donnée.
	Remplacement du filtre à eau	Cette alerte vous rappelle que le filtre à eau doit être remplacé.
Image de l'intérieur	Vous pouvez visualiser l'intérieur de votre réfrigérateur et savoir lorsqu'il est nécessaire de renouveler certains aliments.	
Lien vers l'application Family Hub	Vous pouvez vous connecter à l'Apple Store et télécharger l'application Réfrigérateur.	

Utilisation

Fonction SMART GRID (Réponse à la demande)

Lorsque le réfrigérateur fonctionne en mode SMART GRID (Réponse à la demande), la fonction Energy Management (Gestion de l'énergie) du réfrigérateur peut contrôler la consommation d'énergie ou repousser le démarrage de certaines fonctions pour vous permettre d'économiser lorsque les prix ou la demande en matière d'électricité sont à leur niveau le plus élevé.

REMARQUE

- Vous pouvez désactiver la fonction SMART GRID (Réponse à la demande) à tout moment à l'aide de la fonction Override On/Off (Activation/Désactivation Override).
- Pour utiliser la fonction SMART GRID (Réponse à la demande), vous devez avoir un contrat séparé avec votre fournisseur d'électricité.

De plus, pour utiliser la fonction SMART GRID (Réponse à la demande), vous devez souscrire à ce service auprès de votre fournisseur d'électricité. Celui-ci doit utiliser un SGEE prenant en charge le profil SEP (Smart Energy Profile).

Utilisation de la fonction SMART GRID (Réponse à la demande)

Cette fonction effectue le suivi de l'information fournie par votre fournisseur d'électricité concernant les prix et la demande, et envoie des notifications au réfrigérateur pour qu'il effectue les tâches énergivores pendant les périodes creuses où les coûts et la demande d'électricité sont plus faibles.

Si le réfrigérateur reçoit un signal de commande de la part du fournisseur d'électricité, il affiche les niveaux **DAL** (niveau 3) ~ **TALR** (niveau 4) sur son écran et contrôle la consommation d'énergie selon le niveau.

Condition d'exception : Les signaux de contrôle de niveau **DAL** et **TALR** provenant d'un fournisseur d'électricité fonctionnent tant que les performances de l'appareil sont maintenues.

Si le réfrigérateur reçoit le signal SMART GRID (Réponse à la demande) (**DAL** ou **TALR**), il fonctionnera en mode Delay Appliance Load (Charge différée de l'appareil) ou en mode Temporary Appliance Load Reduction (Réduction temporaire de la charge de l'appareil).

- Mode Delay Appliance Load (Charge différée de l'appareil - niveau 3) : Le réfrigérateur répond à un signal **DAL** en réduisant modérément la charge pendant la période de report. Cette fonctionnalité contrôle les fonctions très énergivores, telles que le réglage du système de refroidissement, le dégivrage et la fabrication de glace.
 - Le mode **DAL** se désactive automatiquement à la fin de la durée stipulée par le signal **DAL** (4,5 heures maximum), ou lorsque la fonction de dérogation Override est activée.

-
- Temporary Appliance Load Reduction (Réduction de charge temporaire de l'appareil - niveau 4) : Le réfrigérateur répond à un signal **TALR** en diminuant considérablement la charge pendant une courte période. Cette fonction réduit la consommation d'énergie en arrêtant le compresseur et en contrôlant les fonctions très énergivores, comme le dégivrage et la fabrication de glace.
 - Le mode **TALR** (niveau 4) se désactive automatiquement à la fin de la durée reçue (15 minutes maximum), ou lorsque la fonction de dérogation Override est activée. Le mode se désactive immédiatement et le réfrigérateur revient à l'état normal lorsque la porte est ouverte ou fermée, ou lorsque le distributeur est utilisé.

Vérification de l'adresse MAC

1. Touchez l'icône **Réglages** sur l'écran d'accueil.
2. Faites défiler l'écran et ouvrez **À propos de l'appareil**.
3. L'écran affiche entre autres l'adresse MAC de la connexion Wi-Fi.

Mode de dérogation Override

Lorsque vous souhaitez que le réfrigérateur ignore le signal SMART GRID (Réponse à la demande) de votre fournisseur d'électricité, vous pouvez activer le mode de dérogation **VERRIDE**.

Lorsque vous activez le mode **VERRIDE**, le réfrigérateur ignore le signal SMART GRID (Réponse à la demande) et n'est plus contrôlé par le fournisseur d'électricité.

Activation et désactivation du mode de dérogation Override

1. Touchez l'icône du **Gestionnaire du réfrigérateur**.
2. Au bas de l'écran du Fridge Manager (Gestionnaire du réfrigérateur), touchez l'icône **Réglages du réfrigérateur**.
3. Touchez **Réponse à la demande**.
4. Faites glisser le bouton **Ignorer le mode DAL/TALR** en position **MARCHE** ou **ARRÊT**.

REMARQUE

- Sinon, vous pouvez activer ou désactiver le mode **VERRIDE** à partir de l'application Samsung Connect et de la fonction Energy Management (Gestion de l'énergie). Consultez la page suivante.

Utilisation

Utilisation de la fonction Gestion de l'énergie

La fonction Energy Management (Gestion de l'énergie) vous permet de contrôler et surveiller votre réfrigérateur Energy Management (Gestion de l'énergie) à l'aide de l'application Samsung Connect, à des fins de commodité.

REMARQUE

- Pour utiliser les fonctions Energy Management (Gestion de l'énergie) du réfrigérateur, vous devez d'abord installer l'application correspondante.
1. Operational Status
 - Vous pouvez vérifier les états DR et Override.
 2. Energy Consumption Reporting
 - Montre la consommation d'énergie cumulée. Les données de consommation d'énergie sont mises à jour toutes les 5 minutes.

REMARQUE

Il est possible que les données du rapport de consommation d'énergie ne correspondent pas aux spécifications de consommation d'énergie de l'appareil, selon l'environnement d'utilisation, ainsi que la quantité et le type d'aliments stockés.

3. Delay Defrost Capability

- La fonction de dégivrage différé Delay Defrost Capability permet d'économiser de l'énergie en retardant l'opération de dégivrage à une heure déterminée par l'utilisateur. Vous pouvez configurer la période de dégivrage pour que cette fonction vous permette d'économiser de l'énergie pendant la période déterminée du cycle de 24 heures. Si la période de dégivrage n'est pas réglée, la fonction utilise les réglages par défaut. Les réglages par défaut pour la période de dégivrage sont les suivants :
- de 6 h à 10 h : du 1er novembre au 30 avril.
- de 15 h à 19 h : du 1er mai au 31 octobre.

Changement du réglage de la période de dégivrage de la fonction Delay Defrost Capability

Vous pouvez changer le réglage de la période de dégivrage de la fonction Delay Defrost Capability dans l'application.

Disposition pour la liberté d'accès aux exigences liées au produit connecté

1. Normes ouvertes du SGIP (Smart Energy Profile 2.0 – <http://www.csep.org>)
 - Energy Consumption Reporting
 - Demand Response (Réponse à la demande)
2. Interface API OUVERTE de Samsung
 - État fonctionnel, réglages utilisateur et messages
 - État de la machine à glaçons : GET /icemaker/status/vs/0
 - Signal d'alarme de porte ouverte : GET /doors/vs/0
 - État DR : GET /drlc/vs/0
 - Fonction de dégivrage différé.
 - Réglage de l'horaire de dégivrage différé : POST /defrost/reservation/vs/0?op=add
 - Obtention de l'horaire de dégivrage différé : GET /defrost/reservation/vs/0
 - Suppression de l'horaire de dégivrage différé : POST /defrost/reservation/vs/0?op=remove
 - Activation/Désactivation du dégivrage différé : POST /defrost/delay/vs/0

Utilisation

Recommandations pour la reconnaissance vocale

Vous trouverez un microphone intégré près de la zone marquée « MIC » sur l'écran du réfrigérateur.

- Parlez clairement et fort en direction du microphone intégré, en vous plaçant dans un rayon de 1 mètre par rapport à l'écran du réfrigérateur.
- Il est possible que la reconnaissance vocale ne se déclenche pas ou ne s'active pas à une distance de plus de 1 mètre ou si la voix est faible.
- Parlez clairement et à une vitesse normale. Réduisez les bruits ambiants, comme celui du téléviseur du salon.

Application Samsung Family Hub

Installation

Allez à la boutique Google Play Store, Galaxy Apps ou Apple App Store et recherchez « Samsung Family Hub ». Téléchargez et installez l'application Samsung Family Hub de Samsung Electronics sur votre appareil intelligent.

REMARQUE

- L'application Samsung Family Hub est conçue pour les systèmes d'exploitation Android 4.4 (KitKat) et iOS 8.0, ainsi que pour les versions plus récentes de ces systèmes, et est optimisée pour les téléphones intelligents Samsung (séries Galaxy S et Galaxy Note).
- Afin qu'elle offre un rendement amélioré, il est possible que l'application Samsung Family Hub fasse l'objet de modifications sans préavis. Il est également possible qu'il y ait arrêt du soutien conformément à la politique du fabricant.
- L'environnement de communication sans fil peut avoir une incidence sur les réseaux sans fil.
- Si votre fournisseur de services Internet a enregistré l'adresse MAC de votre ordinateur ou de votre modem à des fins d'identification, il est possible que votre réfrigérateur intelligent Samsung ne parvienne pas à se connecter à Internet. Si tel est le cas, communiquez avec votre fournisseur de services Internet pour obtenir du soutien technique.
- Il est possible que les paramètres du pare-feu de votre système de réseau empêchent votre réfrigérateur intelligent Samsung d'accéder à Internet. Si tel est le cas, communiquez avec votre fournisseur de services Internet pour obtenir du soutien technique. Si le problème persiste, communiquez avec un centre de services ou un détaillant Samsung local.

Compte Samsung

Vous devez enregistrer votre compte Samsung pour utiliser l'application. Si vous n'avez pas de compte Samsung, suivez les instructions de l'application affichées à l'écran pour en créer un gratuitement.

REMARQUE

Pour connecter votre téléphone intelligent et votre réfrigérateur, enregistrez votre compte Samsung dans Réglages → Profils.

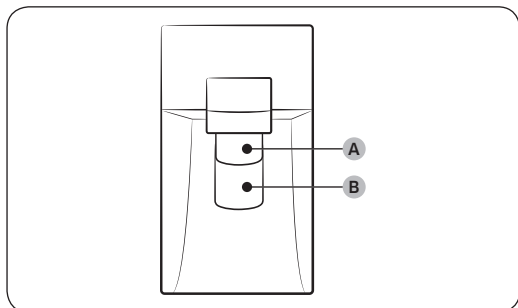
Élément	Description
Calendrier	Vous pouvez partager votre horaire avec votre famille.
Tâche	Vous pouvez créer et modifier une liste de tâches selon vos besoins.
Mémo	Vous pouvez créer et modifier un mémo destiné à certains utilisateurs.
Tableau blanc	Vous pouvez envoyer sur votre téléphone intelligent le contenu du tableau blanc créé sur le réfrigérateur, et vice versa.
Photo	Vous pouvez envoyer sur le réfrigérateur les photos stockées sur votre téléphone intelligent.
View Inside	Vous pouvez voir un aperçu de l'intérieur du réfrigérateur et utiliser différentes étiquettes pour enregistrer les périodes de conservation propres à chaque aliment et en faire le suivi à des fins de gestion.
Shopping list	Vous pouvez créer et modifier une liste d'épicerie selon vos besoins.

Utilisation

Fonctions spéciales

Distributeur d'eau

Grâce au distributeur d'eau, vous pouvez obtenir de l'eau sans ouvrir la porte du réfrigérateur.



Le distributeur d'eau offre 3 options : eau froide, glaçons et glace concassée.

Si vous ne souhaitez pas vous servir de la glace, appuyez simplement sur le **levier de distribution d'eau (B)**.

Une fois la machine à glaçons activée,

1. Sélectionnez un type de glace.
2. Appuyez un verre d'eau contre le **levier de distribution de glace (A)**, puis pressez ce dernier. Le distributeur verse de la glace.
3. Si vous souhaitez vous servir de l'eau, appuyez le verre contre le **levier de distribution d'eau (B)**, puis pressez ce dernier. Le distributeur verse de l'eau.

REMARQUE

- Pour obtenir à la fois de la glace et de l'eau, pressez d'abord **levier de distribution de glace (A)** pour obtenir de la glace, puis abaissez votre verre et appuyez sur le **levier de distribution d'eau (B)** pour obtenir de l'eau.
- Si vous appuyez sur les deux leviers en même temps, seul le premier des deux à avoir été poussé est actionné.
- Pour éviter les éclaboussures, attendez 1 seconde avant de retirer le verre une fois la distribution terminée.
- Veillez à ce que le verre soit aligné avec le distributeur afin d'éviter que de l'eau ne coule à côté.
- Si vous n'utilisez pas le distributeur d'eau pendant 2 à 3 jours, il est possible que l'eau distribuée ait une odeur ou un goût étrange. Il ne s'agit pas d'un dysfonctionnement du système. Jetez le premier ou les deux premiers verres d'eau.

Machine à glaçons

Le réfrigérateur dispose d'une machine à glaçons intégrée qui distribue automatiquement de la glace afin que vous puissiez profiter d'une eau filtrée avec des glaçons ou de la glace concassée.

Fabrication de glaçons

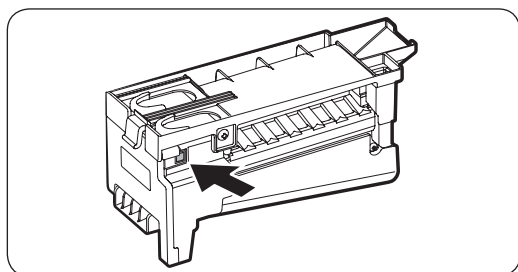
Après avoir installé votre réfrigérateur et l'avoir branché, suivez les instructions suivantes pour garantir une fabrication appropriée de glace et garder le bac à glaçons plein :

1. Pour obtenir un rendement optimal, laissez le réfrigérateur fonctionner pendant au moins 24 heures sans vous servir de la glace.
2. Faites tomber les 4 à 6 premiers glaçons dans un verre.
3. Attendez encore 8 heures, puis faites encore tomber de 4 à 6 glaçons.
4. Ensuite, attendez encore 16 heures avant de remplir un premier verre de glace.

REMARQUE

- Si vous consommez toute la glace en une seule fois, vous devrez attendre 8 heures avant d'obtenir les prochains 4 à 6 glaçons. Ceci garantit que le bac à glaçons se remplit de glaçons de façon appropriée.
- Les glaçons générés rapidement peuvent sembler blancs, mais cela est normal.

Diagnostic



Si aucune glace ne tombe, vérifiez d'abord la machine à glaçons.

Vérification de la machine à glaçons

1. Appuyez sur le bouton **Test** sur le côté de la machine à glaçons. Vous entendrez un signal sonore (« ding-dong ») lorsque vous appuierez sur le bouton.
2. Vous entendrez un autre signal sonore si la machine à glaçons fonctionne correctement.

ATTENTION

- Si la machine à glaçons émet un signal sonore de façon répétitive, communiquez avec l'installateur de la conduite d'eau ou avec un centre de services Samsung local.
- N'appuyez pas sur le bouton **Test** à plusieurs reprises lorsque le bac à glaçons est rempli de glace ou d'eau. De l'eau pourrait déborder ou de la glace pourrait se coincer.
- Ne placez pas d'aliments dans le bac à glaçons. Les aliments gelés pourraient endommager la machine à glaçons, en particulier lors de l'ouverture ou de la fermeture de la porte.
- Lorsque l'alimentation électrique du réfrigérateur est rétablie après une panne de courant, le bac à glaçons peut contenir un mélange de glaçons fondus et agglomérés, ce qui peut empêcher la machine à glaçons de fonctionner correctement. Pour éviter cette situation, assurez-vous de vider le bac à glaçons avant de recommencer à utiliser le réfrigérateur.

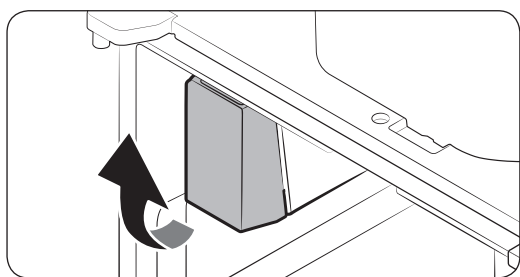
Utilisation

- Ne mettez pas vos doigts ou un objet dans la sortie du distributeur ou de la machine à glaçons. Cela pourrait provoquer des blessures ou des dommages matériels.
- Au moment de la remise en place du plateau de la machine à glaçons, assurez-vous que ce dernier est bien centré au niveau de l'entrée. Autrement, le plateau pourrait se coincer.

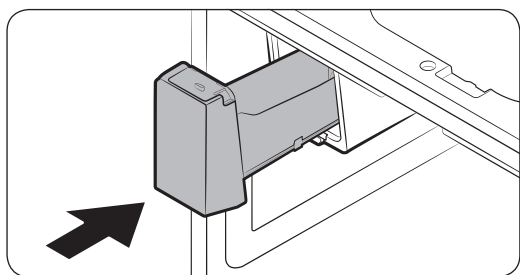
Désactivation de la machine à glaçons

Pour désactiver la machine à glaçons, touchez **Gestionnaire du réfrigérateur > Réglages du réfrigérateur > Fabrication de glaçons** sur l'écran d'accueil, puis sélectionnez **ARRÊT**. Assurez-vous de vider le bac à glaçons. Les glaçons restants pourraient s'agglomérer et devenir difficiles à retirer.

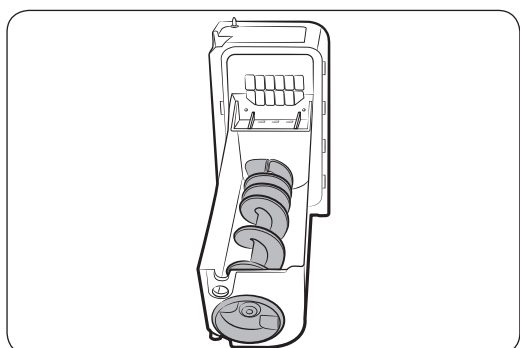
Retrait du bac à glaçons



1. Tenez le bas du bac à glaçons avec une main et le côté avec l'autre main.
2. Soulevez doucement le bac et retirez-le.



3. Retirez les glaçons restants, puis remettez le bac à glaçons en place.



Si le bac ne se fixe pas bien en place, tournez la vis hélicoïdale de 90 degrés et réessayez.

REMARQUE

- Le retrait du bac à glaçons n'a pas d'incidence sur les performances thermiques et mécaniques du réfrigérateur.

Eau trouble

L'eau envoyée dans le réfrigérateur passe à travers un filtre pour eau alcaline. Pendant le processus de filtration, la pression de l'eau augmente et l'eau devient saturée en oxygène et en azote. L'eau semble donc temporairement brouillée ou trouble lorsqu'elle est versée. Ce phénomène est normal; l'eau deviendra transparente après quelques secondes.

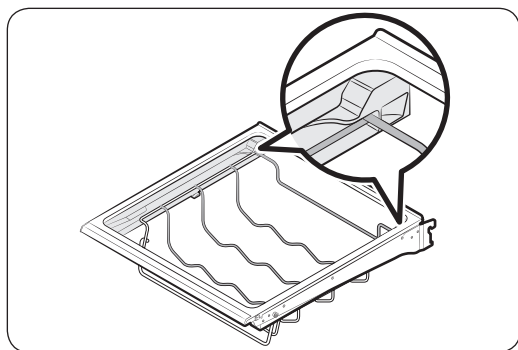
Porte-bouteilles de vin

Le réfrigérateur vous est livré avec le porte-bouteilles de vin, qui peut être placé à l'un des 3 endroits suivants : sous la tablette, dans le guide de séparation ou par-dessus la tablette coulissante du compartiment FlexZone. Les possibilités d'installation dépendent de votre modèle.

⚠ ATTENTION

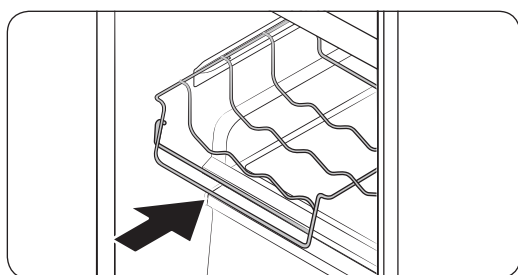
Lorsque vous retirez ou insérez le porte-bouteilles de vin, assurez-vous que ce dernier est vide.

Sous la tablette



Insérez le porte-bouteilles de vin sous la tablette du réfrigérateur. Assurez-vous de l'insérer jusqu'au bout, comme indiqué sur l'illustration.

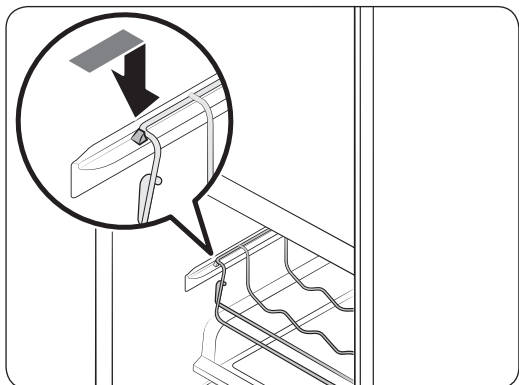
Dans le guide de séparation



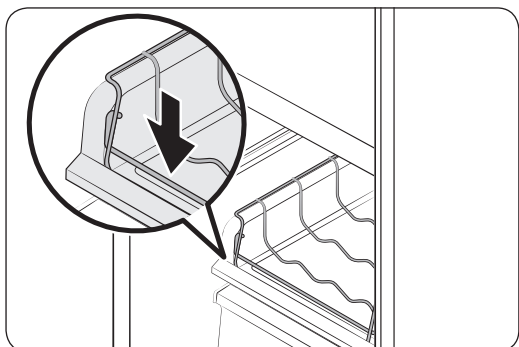
Insérez le porte-bouteilles de vin dans le guide de séparation du compartiment Flex Zone.

- Assurez-vous que l'avant du porte-bouteilles de vin s'insère bien dans le guide de séparation sur le côté intérieur gauche du compartiment FlexZone.
- Réglez la température du compartiment FlexZone à **Vin blanc**.

Utilisation



Sur la tablette coulissante



Insérez le porte-bouteilles de vin sur la tablette coulissante du compartiment FlexZone, laquelle se trouve normalement en dessous du guide de séparation.

- Réglez la température du compartiment FlexZone à **Vin blanc**.

⚠ ATTENTION

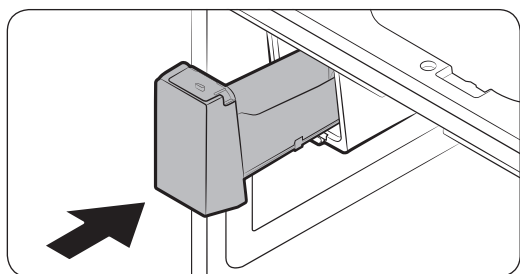
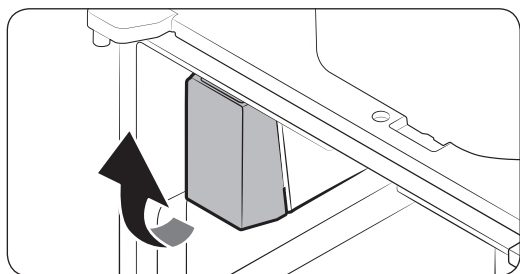
- Ne placez pas de bouteilles de vin dans le congélateur. Les bouteilles pourraient geler et se casser, ce qui pourrait causer des blessures.
- Ne placez pas de bouteilles de vin sur deux rangées. Les bouteilles pourraient tomber et entraîner des blessures.
- N'entrez pas des bouteilles de vin dont la hauteur excède 330 mm (13 po). Les bouteilles pourraient se casser lors de la fermeture de la porte, ce qui pourrait entraîner des blessures.

Entretien

Manipulation et précautions

Bac à glaçons

Si vous n'utilisez pas la machine de glaçons pendant une période prolongée, de la glace peut s'agglomérer à l'intérieur du bac. Si tel est le cas, retirez et videz le bac à glaçons.



1. Pour retirer le bac à glaçons, soulevez-le doucement et retirez-le lentement en tirant dessus, en tenant le bas du bac avec une main et le côté avec l'autre main.
2. Videz le bac.
3. Après avoir vidé le bac, remettez-le en place. Si le bac ne se fixe pas bien en place, tournez la vis hélicoïdale de 90 degrés et réessayez.

ATTENTION

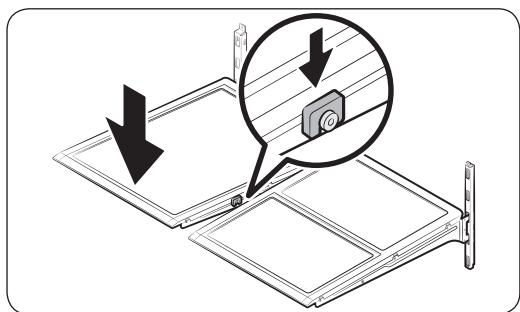
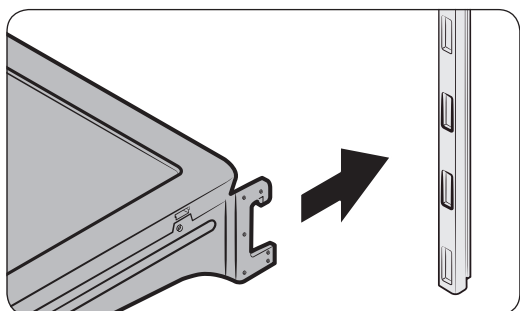
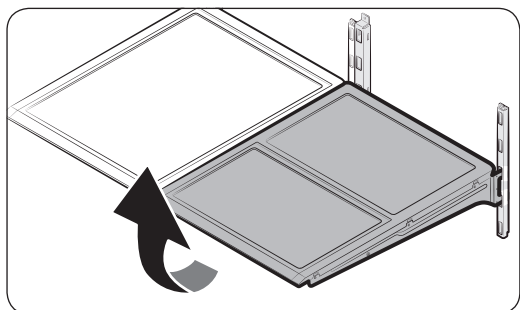
- N'exercez pas de pression excessive sur le couvercle du bac, car celui-ci risquerait de se briser.
- Ne forcez pas la fermeture de la porte. De l'eau pourrait déborder de la machine à glaçons.
- Pour éviter tout risque de blessure, assurez-vous d'essuyer toute la glace ou l'eau qui est tombée sur le sol.
- Pour éviter tout risque d'accident ou de blessure, ne laissez pas les enfants jouer avec le distributeur d'eau ou la machine à glaçons.
- N'insérez jamais vos mains ou un objet dans la glissoire à glace. Cela pourrait provoquer des blessures ou des dommages matériels.
- Utilisez uniquement le bac à glaçons fourni. Les bacs à glaçons de tiers pourraient provoquer une défaillance du système.
- Utilisez uniquement de l'eau potable qui est reliée à la conduite d'alimentation en eau.

REMARQUE

- Pour la fabrication de glace, la pression de l'eau doit se situer entre 20 psi et 125 psi.
- Le bruit produit par la machine à glaçons lors du processus de fabrication de glace est normal.
- Lorsque la porte est ouverte, ni la machine à glaçons ni le distributeur d'eau ne fonctionnent.

Entretien

Tablettes en verre trempé (réfrigérateur)



- Pour retirer une tablette, ouvrez complètement la porte correspondante. Prenez la tablette par l'avant, puis soulevez-la doucement et faites-la glisser pour la retirer.

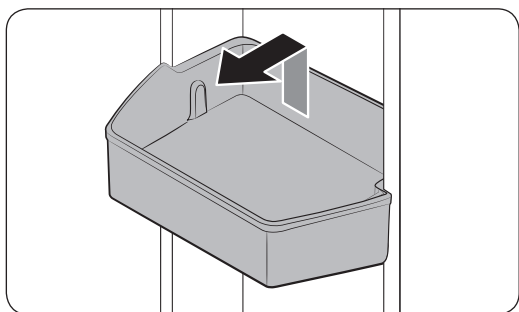
- Pour remettre la tablette en place, maintenez-la en angle de sorte que l'avant soit plus haut que l'arrière, puis insérez le crochet supérieur de la tablette dans l'encoche supérieure. Ensuite, abaissez la tablette et insérez le crochet inférieur de la tablette dans l'encoche inférieure.

! ATTENTION

- Les tablettes en verre trempé sont lourdes. Faites preuve de prudence lorsque vous les retirez.
- La tablette doit être correctement mise en place. Ne l'installez pas à l'envers.
- Les récipients en verre peuvent rayer la surface des tablettes en verre.

Compartiments de porte

La section supérieure des compartiments de porte est marquée d'une ligne qui facilite le retrait et la remise en place de ceux-ci.

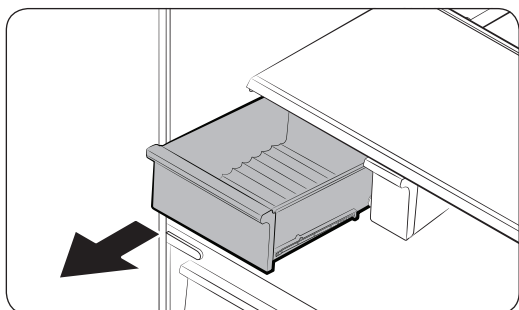


Soulevez le compartiment de porte, puis tirez tout droit pour le retirer.

ATTENTION

Ne laissez pas les enfants jouer avec les compartiments de porte. Les coins tranchants pourraient causer des blessures.

Tiroirs à fruits et légumes frais (zone EZ Fresh)

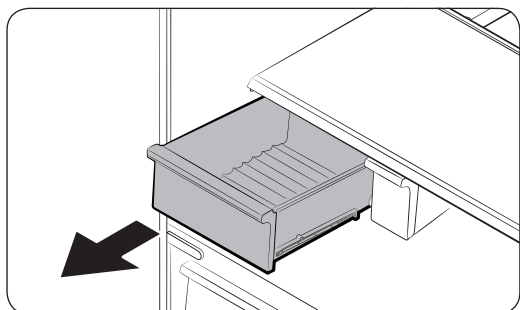


Soulevez doucement l'avant du tiroir et faites-le glisser pour le retirer.

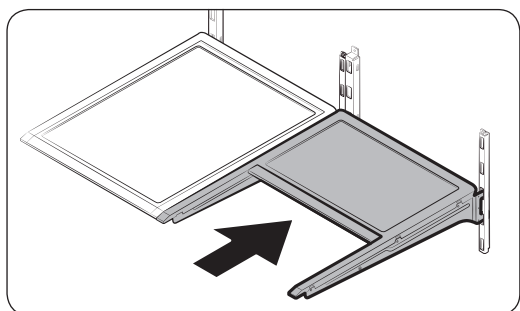
Nous vous recommandons de retirer les compartiments de porte avant de retirer le tiroir. Cela permet d'éviter d'endommager les compartiments de porte.

Entretien

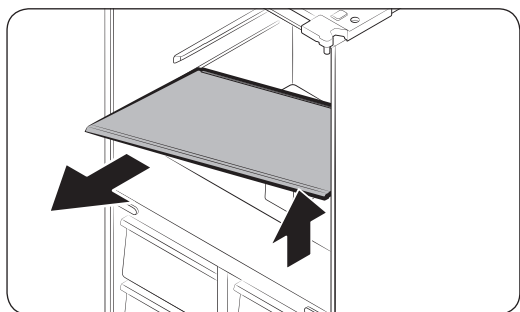
Tablette à légumes



1. Faites glisser le tiroir à légumes de gauche vers l'extérieur pour le retirer.



2. Faites glisser la tablette pliante de droite vers l'intérieur.



3. Tout en soutenant la tablette à légumes avec une main, faites-la glisser vers l'extérieur avec l'autre main pour la retirer.

REMARQUE

Pour utiliser l'espace qui s'est dégagé avec le retrait de la tablette pliante, retirez la tablette à légumes. Pour la remettre en place, suivez les étapes ci-dessus dans l'ordre inverse.

Bac à glaçons

Pour retirer le bac à glaçons, reportez-vous la section Entretien à la page 59.

Nettoyage

Intérieur et extérieur

AVERTISSEMENT

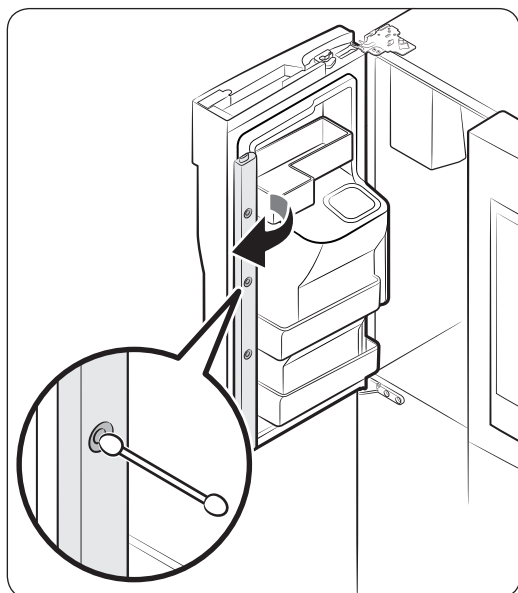
- Ne nettoyez pas le réfrigérateur avec du benzène, du diluant ou du nettoyant domestique/pour voiture comme Clorox™. Ces produits risqueraient d'endommager la surface du réfrigérateur ou de provoquer un incendie.
- Évitez de vaporiser de l'eau directement sur le réfrigérateur. Cela pourrait causer un choc électrique.
- Ne mettez pas vos doigts ou un objet dans la sortie du distributeur.

À l'aide d'un chiffon sec, retirez régulièrement toutes les substances étrangères (poussière, eau, etc.) des broches de la fiche d'alimentation et des points de contact.

Nettoyage du réfrigérateur

1. Débranchez le cordon d'alimentation.
2. Pour nettoyer l'intérieur et l'extérieur du réfrigérateur, utilisez un essuie-tout ou chiffon doux, humide et non pelucheux pour nettoyer l'intérieur et l'extérieur du réfrigérateur.
3. Utilisez ensuite un essuie-tout ou un chiffon sec pour bien sécher les surfaces.
4. Rebranchez le cordon d'alimentation.

Caméra d'aperçu de l'intérieur



REMARQUE

Utilisez un coton-tige ou un chiffon en microfibre pour nettoyer la caméra située sur la porte gauche du réfrigérateur.

Entretien

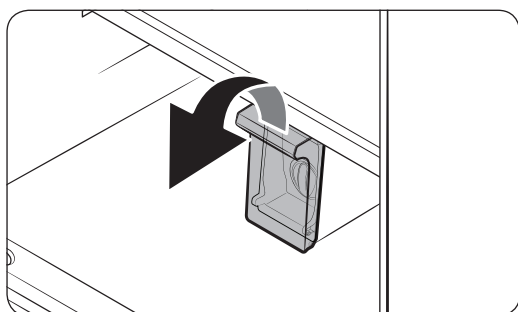
Remplacement

Filtre à eau

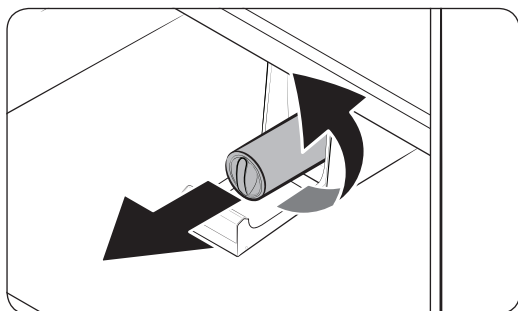
AVERTISSEMENT

- N'utilisez pas de filtres à eau de tiers. Utilisez uniquement des filtres fournis ou approuvés par Samsung.
- Les filtres non approuvés pourraient présenter des fuites et endommager le réfrigérateur, risquant de causer un choc électrique. Samsung ne pourra être tenue responsable en cas de dommages découlant de l'utilisation de filtres à eau de tiers.

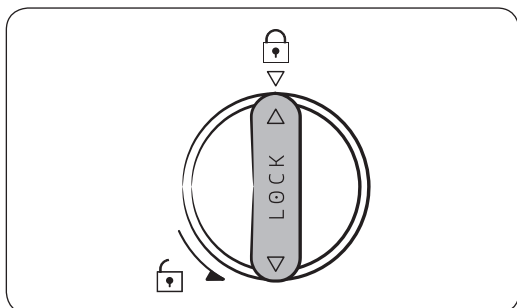
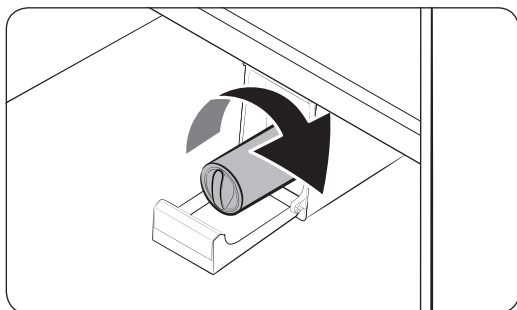
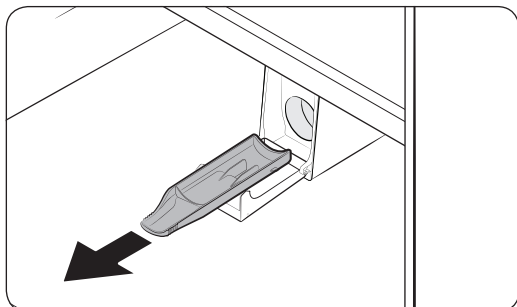
L'indicateur du filtre () devient rouge pour vous indiquer qu'il est temps de remplacer le filtre à eau. Avant de remplacer le filtre, assurez-vous que la conduite d'alimentation en eau est fermée.



1. Ouvrez le couvercle du filtre.
 - Il est possible que certains modèles ne soient pas dotés de couvercle de filtre. Si votre modèle n'en comporte pas, sautez cette étape.



2. Tournez le bouton de la cartouche de filtre de 90 degrés (1/4 de tour) dans le sens antihoraire. La cartouche de filtre se déverrouille.
3. Tirez sur la cartouche pour la retirer.
 - Si le filtre à eau est très contaminé, il est possible que la cartouche soit difficile à retirer. Si tel est le cas, usez de force pour retirer la cartouche
 - Pour éviter que de l'eau ne s'échappe de l'ouverture du filtre, gardez la cartouche droite lors de son retrait.



REMARQUE

Pour éviter un débordement, videz et séchez le plateau du filtre à eau.

4. Insérez la nouvelle cartouche de filtre. Utilisez uniquement des filtres fournis ou approuvés par Samsung.
5. Tournez le bouton de la cartouche dans le sens horaire pour verrouiller celle-ci en place.
6. Sur l'écran d'accueil, touchez **Gestionnaire du réfrigérateur** > **Réglages du réfrigérateur** > **Filtre à eau**, puis sélectionnez **RÉINITIALISER**. Le témoin du filtre s'éteint.
7. Une fois le remplacement du filtre terminé, ouvrez le robinet d'eau et laissez de l'eau s'écouler du distributeur pendant environ 7 minutes. Cela permet d'éliminer les impuretés et l'air provenant de la conduite d'eau.

REMARQUE

- De l'eau peut brièvement gicler du distributeur d'eau si un nouveau filtre a été installé. Ce phénomène est causé par l'air ayant pénétré dans la conduite d'eau.
- Après le processus de remplacement, il est possible que le distributeur d'eau dégoutte pendant une courte durée. S'il dégoutte, essuyez simplement l'eau présente au sol à l'aide d'une serviette sèche.

Entretien

Système de filtration d'eau par osmose inverse

La pression de l'eau partant du système d'alimentation en eau et se dirigeant vers un système de filtration d'eau par osmose inverse doit se situer entre 35 psi et 120 psi (241 kPa et 827 kPa).

La pression de l'eau partant du système de filtration d'eau par osmose inverse et se dirigeant vers la conduite d'eau froide du réfrigérateur doit être d'au moins 40 psi (276 kPa). Si la pression de l'eau est inférieure à ces valeurs :

- Assurez-vous que le filtre à sédiments du système d'osmose inverse n'est pas obstrué. Remplacez le filtre au besoin.
- Remplissez de nouveau le réservoir d'eau dans le système d'osmose inverse.
- Si votre réfrigérateur est équipé d'un filtre à eau, il est possible que la pression de l'eau soit davantage réduite si ce filtre est utilisé conjointement avec un système d'osmose inverse. Retirez le filtre à eau.

Pour obtenir de plus amples renseignements ou une réparation, communiquez avec un plombier professionnel autorisé.

Commande d'un filtre neuf

Pour acheter un nouveau filtre à eau, communiquez avec un centre de services Samsung local ou visitez le site Web www.samsungparts.com.

Ampoules DEL

Pour remplacer les ampoules DEL du réfrigérateur, communiquez avec un centre de services Samsung local.

AVERTISSEMENT

Les ampoules DEL ne peuvent pas être remplacées par l'utilisateur. N'essayez pas de remplacer une ampoule DEL par vous-même. Vous pourriez subir un choc électrique.

Dépannage

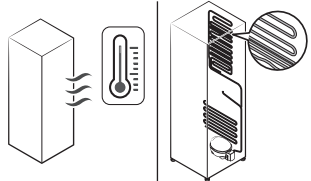
Avant de faire appel à un réparateur, effectuez les vérifications suivantes. Tout appel de service concernant une situation normale (aucune défaillance) sera facturé aux utilisateurs.

Généralités

Température

Problème	Causes possibles	Solution
Le réfrigérateur/ congélateur ne fonctionne pas. La température à l'intérieur du réfrigérateur/ congélateur est tiède.	<ul style="list-style-type: none">Le cordon d'alimentation n'est pas correctement branché.	<ul style="list-style-type: none">Branchez correctement le cordon d'alimentation.
	<ul style="list-style-type: none">La température n'est pas réglée correctement.	<ul style="list-style-type: none">Réglez la température à un degré inférieur.
	<ul style="list-style-type: none">Le réfrigérateur est placé près d'une source de chaleur ou directement sous la lumière du soleil.	<ul style="list-style-type: none">Gardez le réfrigérateur loin d'une source de chaleur ou de la lumière directe du soleil.
	<ul style="list-style-type: none">L'espace entre le réfrigérateur et les murs ou armoires à proximité n'est pas suffisant.	<ul style="list-style-type: none">Assurez-vous qu'il y a un espace d'au moins 2,5 po (5 cm) entre l'arrière et les côtés du réfrigérateur et les murs et armoires à proximité.
Le réfrigérateur/ congélateur refroidit trop.	<ul style="list-style-type: none">Le réfrigérateur est surchargé. Des aliments bloquent les orifices de ventilation du réfrigérateur.	<ul style="list-style-type: none">Ne surchargez pas le réfrigérateur. Ne laissez pas des aliments bloquer les orifices de ventilation.
	<ul style="list-style-type: none">La température n'est pas réglée correctement.	<ul style="list-style-type: none">Réglez la température à un degré supérieur.

Dépannage

Problème	Causes possibles	Solution
La paroi intérieure est chaude.	<ul style="list-style-type: none"> La paroi intérieure du réfrigérateur renferme des tuyaux résistants à la chaleur. 	<ul style="list-style-type: none"> Pour éviter la formation de condensation, les coins avant du réfrigérateur renferment des tuyaux résistants à la chaleur. Si la température ambiante augmente, cet équipement pourrait ne pas fonctionner correctement. Il ne s'agit pas d'un dysfonctionnement du système. 

Odeurs

Problème	Causes possibles	Solution
Une mauvaise odeur provient du réfrigérateur.	<ul style="list-style-type: none"> Il y a des aliments périmés. 	<ul style="list-style-type: none"> Nettoyez le réfrigérateur et jetez tout aliment périmé.
	<ul style="list-style-type: none"> Certains aliments ont une forte odeur. 	<ul style="list-style-type: none"> Assurez-vous que les aliments à forte odeur sont emballés de manière hermétique.

Givre

Problème	Causes possibles	Solution
Du givre se forme autour des orifices de ventilation.	<ul style="list-style-type: none"> Des aliments bloquent les orifices de ventilation. 	<ul style="list-style-type: none"> Assurez-vous qu'aucun aliment ne bloque les orifices de ventilation du réfrigérateur.
Du givre se forme sur les parois intérieures.	<ul style="list-style-type: none"> La porte ne se ferme pas correctement. 	<ul style="list-style-type: none"> Assurez-vous qu'aucun aliment ne bloque la porte. Nettoyez le joint d'étanchéité de la porte.
Des fruits ou des légumes sont gelés.	<ul style="list-style-type: none"> Les fruits/légumes ont été placés dans le compartiment FlexZone et la température réglée est trop basse. 	<ul style="list-style-type: none"> Réglez la température du compartiment FlexZone à une température appropriée pour les fruits/légumes.

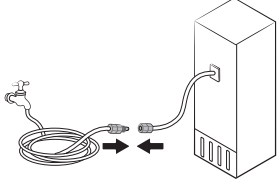
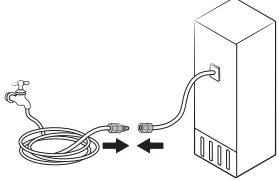
Condensation

Problème	Causes possibles	Solution
De la condensation se forme sur les parois intérieures.	<ul style="list-style-type: none">• Si la porte est laissée ouverte, l'humidité entre dans le réfrigérateur.	<ul style="list-style-type: none">• Retirez l'humidité et ne laissez pas la porte ouverte pendant de longues périodes.
	<ul style="list-style-type: none">• Des aliments ont une teneur élevée en humidité.	<ul style="list-style-type: none">• Assurez-vous que les aliments sont emballés de manière hermétique.

Eau/glace (modèles avec distributeur seulement)

Problème	Causes possibles	Solution
Le débit d'eau est plus faible que la normale.	<ul style="list-style-type: none">• La pression de l'eau est trop basse.	<ul style="list-style-type: none">• Assurez-vous que la pression de l'eau se situe entre 20 psi et 120 psi.
La machine à glaçons émet un bourdonnement.	<ul style="list-style-type: none">• La fonction de machine à glaçons est activée, mais la conduite d'alimentation en eau n'a pas été raccordée au réfrigérateur.	<ul style="list-style-type: none">• Appuyez sur Machine à glaçons désactivée.
La machine à glaçons ne produit pas de glace.	<ul style="list-style-type: none">• La machine à glaçons vient d'être installée.	<ul style="list-style-type: none">• Le réfrigérateur prend 12 heures à faire de la glace.
	<ul style="list-style-type: none">• La température du congélateur est trop basse.	<ul style="list-style-type: none">• Dans un endroit où l'air ambiant est tiède, réglez la température du congélateur sous -18 °C (0 °F) ou -20 °C (-4 °F).
	<ul style="list-style-type: none">• La fonction de verrouillage du distributeur est activée.	<ul style="list-style-type: none">• Désactivez la fonction de verrouillage du distributeur.
	<ul style="list-style-type: none">• La machine à glaçons est éteinte.	<ul style="list-style-type: none">• Mettez la machine à glaçons en marche.

Dépannage

Problème	Causes possibles	Solution
Le distributeur ne fournit pas de glace.	<ul style="list-style-type: none"> La glace peut se coincer si le distributeur de glace n'est pas utilisé pendant une longue période (environ 3 semaines). 	<ul style="list-style-type: none"> Si vous prévoyez ne pas utiliser le réfrigérateur pendant une longue période, videz le bac à glaçons et éteignez la machine à glaçons.
	<ul style="list-style-type: none"> Le bac à glaçons n'est pas correctement installé. 	<ul style="list-style-type: none"> Assurez-vous que le bac à glaçons est correctement installé.
	<ul style="list-style-type: none"> La conduite d'eau n'est pas correctement raccordée ou l'alimentation en eau n'est pas ouverte. 	<ul style="list-style-type: none"> Assurez-vous que la conduite d'eau est correctement installée. Vérifiez si le robinet d'arrêt de la conduite d'eau est fermé. 
Le distributeur ne fournit pas d'eau.	<ul style="list-style-type: none"> La conduite d'eau n'est pas correctement raccordée ou l'alimentation en eau n'est pas ouverte. 	<ul style="list-style-type: none"> Vérifiez les conditions d'installation pour l'alimentation en eau. 
	<ul style="list-style-type: none"> La fonction de verrouillage du distributeur est activée. 	<ul style="list-style-type: none"> Désactivez la fonction de verrouillage du distributeur.
	<ul style="list-style-type: none"> Un filtre à eau d'un tiers a été installé. 	<ul style="list-style-type: none"> Utilisez uniquement des filtres fournis ou approuvés par Samsung. Les filtres non approuvés pourraient présenter des fuites ou endommager le réfrigérateur.
	<ul style="list-style-type: none"> L'indicateur de remplacement du filtre à eau s'allume ou clignote. 	<ul style="list-style-type: none"> Remplacez le filtre à eau. Après l'avoir remplacé, réinitialisez le capteur de l'indicateur de remplacement du filtre.

Samsung Connect

Symptôme	Action
L'application « Samsung Connect » est introuvable sur le marché des applications.	<ul style="list-style-type: none">• L'application Samsung Connect est disponible sur les smartphones qui disposent d'Android 6.0 (Marshmallow) ou une version supérieure, ou d'iOS 9.0 ou une version supérieure.
L'application Samsung Connect ne fonctionne pas.	<ul style="list-style-type: none">• L'application Samsung Connect est disponible pour les modèles applicables uniquement.• L'ancienne application Samsung Smart Refrigerator ne peut pas se connecter à des modèles pour Samsung Smart Home.
L'application Samsung Connect est installée mais n'est pas connectée à mon réfrigérateur.	<ul style="list-style-type: none">• Vous devez vous connecter à votre compte Samsung pour pouvoir utiliser l'application.• Assurez-vous que votre routeur fonctionne normalement.• Si vous n'avez pas connecté votre réfrigérateur à l'application Samsung Connect une fois cette dernière installée, vous devez établir la connexion à l'aide de la fonction d'enregistrement de l'appareil sur l'application.
Connexion à l'application impossible.	<ul style="list-style-type: none">• Vous devez vous connecter à votre compte Samsung pour pouvoir utiliser l'application.• Si vous n'avez pas de compte Samsung, suivez les instructions de l'application affichées à l'écran pour en créer un.
Un message d'erreur apparaît lorsque j'essaie d'enregistrer mon réfrigérateur.	<ul style="list-style-type: none">• Connexion facile peut échouer en raison de la distance par rapport au point d'accès (PA) ou d'interférences électriques provenant de l'environnement. Attendez un moment puis réessayez.
L'application Samsung Connect est bien connectée à mon réfrigérateur mais ne fonctionne pas.	<ul style="list-style-type: none">• Quittez puis relancez l'application Samsung Connect ou déconnectez et reconnectez le routeur.• Débranchez le cordon d'alimentation du réfrigérateur, puis branchez-le à nouveau après 1 minute.

Dépannage

Application Samsung Family Hub

Problème	Action
L'application « Samsung Family Hub » est introuvable sur le marché des applications.	<ul style="list-style-type: none">L'application Samsung Family Hub est disponible sur les téléphones intelligents exploitant Android 4.4 (KitKat) ou une autre version plus récente, ou exploitant iOS 8.0 ou une autre version plus récente.
La connexion à l'application est impossible.	<ul style="list-style-type: none">Vous devez vous connecter à votre compte Samsung pour utiliser l'application.Si vous n'avez pas de compte Samsung, suivez les instructions de l'application affichées à l'écran pour en créer un.

Fonction Smart Grid (Réponse à la demande)

Problème	Action
De quoi ai-je besoin pour utiliser les fonctions Energy Management (Gestion de l'énergie) et Smart Grid (Réponse à la demande)?	<p>Pour utiliser les fonctions Smart Grid (Réponse à la demande) et Energy Management (Gestion de l'énergie) de votre réfrigérateur, vous avez besoin de ce qui suit :</p> <p>Appareils</p> <ul style="list-style-type: none">• Un point d'accès sans fil (routeur)• Un réfrigérateur Samsung prenant en charge la fonction Energy Management (Gestion de l'énergie)• Un téléphone intelligent <p>Enregistrement</p> <ul style="list-style-type: none">• Connectez votre réfrigérateur au réseau Wi-Fi de votre maison.• Souscrivez au service SGEE (système de gestion de l'énergie électrique) auprès de votre fournisseur d'électricité. Celui-ci doit utiliser un SGEE prenant en charge le profil SEP (Smart Energy Profile). <p>Application</p> <ul style="list-style-type: none">• Téléchargez l'application Samsung Connect sur Google Play Store, Apple App Store ou Samsung Galaxy Apps.• Installez et lancez l'application Samsung Connect sur votre smartphone.
Pourquoi la fonction Energy Management (Gestion de l'énergie) ne fonctionne-t-elle pas correctement?	<ul style="list-style-type: none">• Assurez-vous que le routeur de votre maison fonctionne normalement avec un service et une connexion Internet appropriés.• Assurez-vous que le réfrigérateur est connecté au point d'accès (routeur). <p>Vérifications</p> <ul style="list-style-type: none">• Connectez votre téléphone intelligent au routeur (PA, point d'accès), puis vérifiez si vous pouvez naviguer sur Internet depuis le téléphone intelligent.
Pourquoi la fonction de dégivrage différé Delay Defrost Capability ne fonctionne-t-elle pas correctement?	<ul style="list-style-type: none">• Assurez-vous que le routeur de votre maison fonctionne normalement avec un service et une connexion Internet appropriés.

Dépannage

Écran ACL

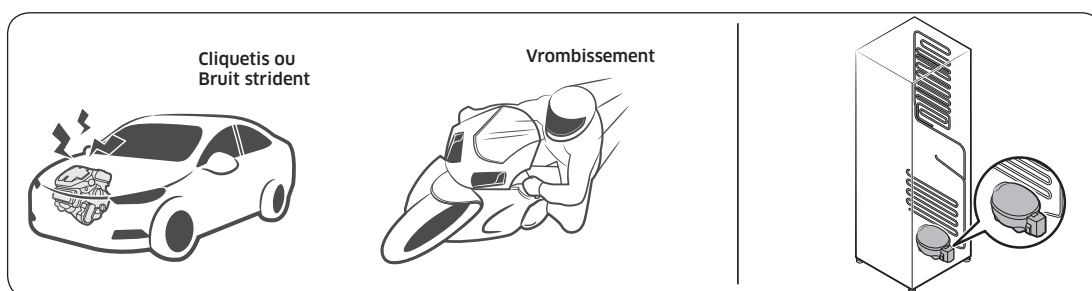
Problème	Action
Je ne parviens pas à établir une connexion avec mon téléviseur.	<ul style="list-style-type: none">• Ce réfrigérateur ne peut se connecter qu'aux téléviseurs intelligents Samsung de série 6400 et aux autres modèles supérieurs lancés depuis 2015. Veuillez d'abord vérifier le nom de modèle de votre téléviseur.• Il est possible que les connexions au réseau fassent l'objet d'interruptions temporaires. Éteignez votre téléviseur, puis réessayez.
L'image d'aperçu de l'intérieur du réfrigérateur semble bombée ou incomplète.	<ul style="list-style-type: none">• Les bords de l'aperçu de l'intérieur du réfrigérateur peuvent sembler bombés en raison de la lentille convexe de la caméra.• L'aperçu de l'intérieur du réfrigérateur peut être incomplet en raison des angles morts à gauche et à droite, ou être gêné par la disposition des aliments. Assurez-vous de placer les aliments sur la partie centrale avant.
Les mesures affichées sur le Fridge Manager (Gestionnaire du réfrigérateur) ne sont pas correctes.	<ul style="list-style-type: none">• Les conditions affichées peuvent différer de la température et du taux d'humidité réels.

Entendez-vous des sons anormaux provenant du réfrigérateur?

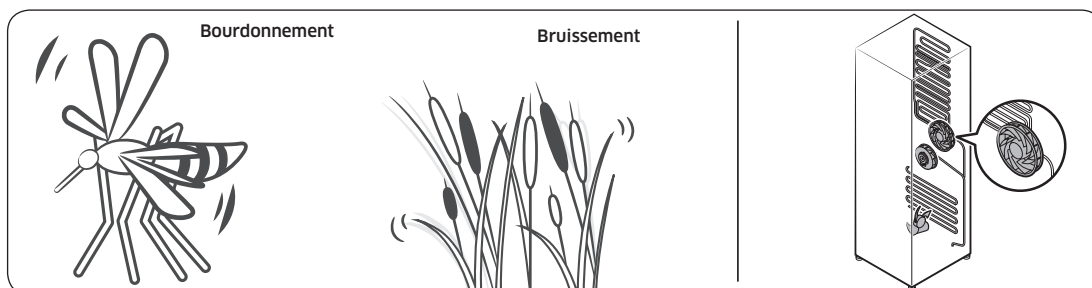
Avant de faire appel à un réparateur, effectuez les vérifications suivantes. Tout appel de service concernant des sons normaux sera facturé à l'utilisateur.

Ces sons sont normaux.

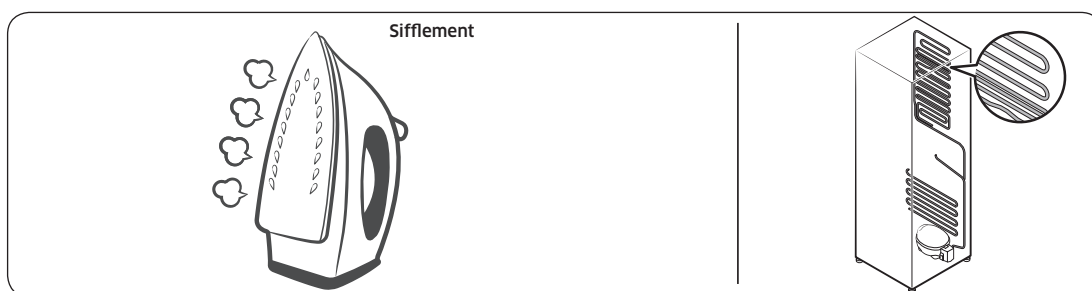
- Lorsqu'il commence ou termine une opération, le réfrigérateur peut émettre des sons semblables à ceux entendus lors de l'allumage d'un moteur de voiture. À mesure que l'opération se stabilise, les sons diminuent.



- Ces sons peuvent être émis lorsque le ventilateur est en fonction. Lorsque le réfrigérateur atteint la température réglée, le son du ventilateur s'arrête.

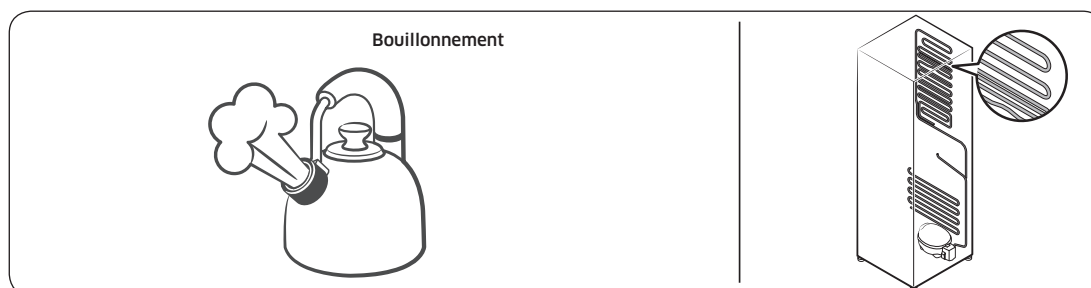


- Pendant un cycle de dégivrage, il est possible que de l'eau coule sur l'élément de dégivrage, créant des grésillements.

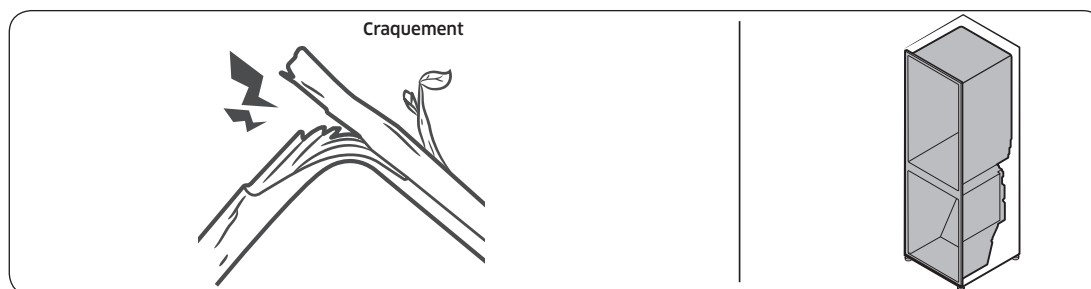


Dépannage

- Lorsque le réfrigérateur refroidit ou congèle, le frigorigène se déplace dans les tuyaux scellés, créant des sons de bouillonnement.



- Lorsque la température du réfrigérateur augmente ou diminue, les pièces en plastique prennent de l'expansion ou se contractent, créant des bruits de cognement. Ces bruits sont émis pendant le cycle de dégivrage ou lorsque des pièces électroniques sont en fonction.



- Pour les modèles avec machine à glaçons : Lorsque le robinet d'eau s'ouvre pour remplir la machine à glaçons, il est possible que des bourdonnements soient émis.
- Lorsque la pression s'égalise quand vous ouvrez et fermez la porte du réfrigérateur, il est possible que des bruissements soient émis.

Informations relatives à la garantie (CANADA)

Si votre réfrigérateur doit être réparé

N'hésitez pas à appeler un centre de service autorisé Samsung proche en lui communiquant vos nom, adresse et numéro de téléphone lorsque votre appareil ne fonctionne pas correctement.

Garantie limitée à l'acheteur initial

Cet appareil Samsung est garanti par Samsung Electronics Canada, Inc. (désigné ci-après par SECA) contre les défauts de fabrication matériels ou une malfaçon durant les périodes suivantes :

Main d'œuvre : 1 an (à domicile)

Pièces : 1 an

Compresseurs Inverter : 10 ans (pièce uniquement)

SECA garantit en outre que si cet appareil ne fonctionne pas correctement durant la période de garantie spécifiée et que le dysfonctionnement est dû à une malfaçon ou à un matériau défectueux, SECA réparera ou remplacera l'appareil à sa discrétion. Le service à domicile n'est pas offert partout. Communiquez avec nous pour savoir si le service à domicile est actuellement offert dans votre région en utilisant les coordonnées se trouvant au dos de votre garantie.

Toutes les réparations ou tous les remplacements de pièces sous garantie doivent être effectués par un centre de service autorisé SECA. (Pour localiser le centre de service SECA le plus proche, appelez le 1 800 SAMSUNG (726-7864) ou visitez notre site Web à l'adresse www.samsung.com/ca)

Obligation du propriétaire initial

Le reçu de vente daté initial doit être conservé par le client et il s'agit de la seule preuve d'achat acceptable. Il doit être présenté au centre de service autorisé SECA au moment de la demande de service avant que les services de garantie ne soient rendus. Pour tous les modèles portatifs, le transport vers et depuis le centre de service autorisé relève de la responsabilité du client.

Informations relatives à la garantie (CANADA)

Exclusions de la garantie

Cette garantie ne couvre pas les dommages provoqués par un accident, un incendie, une inondation et/ou toutes autres catastrophes naturelles, une manipulation, une tension d'alimentation ou une installation incorrectes, des réparations incorrectes ou non-autorisées, une utilisation commerciale ou enfin des dommages survenus au cours de l'expédition. Les ajustements de la part du client qui sont expliqués dans ce guide d'utilisation ne sont pas couverts par les dispositions de la présente garantie. Cette garantie sera automatiquement annulée pour tout appareil reçu avec un numéro de série manquant ou modifié. Cette garantie est valide uniquement pour les produits achetés et utilisés au Canada.

SAMSUNG SERVICE À LA CLIENTÈLE

Samsung Electronics Canada Inc.
2050 Derry Road West,
Mississauga, Ontario L5N 0B9
Canada
1-800-SAMSUNG (726-7864)
www.samsung.com/ca/support (English)
www.samsung.com/ca_fr/support (French)

Mémo

Service has never
been **SMARTer**




ELITE
SERVICE

USA VIP Hotline 1-888-480-5674
Available Monday to Friday 8AM - 12MIDNIGHT ET
Saturday to Sunday 9AM - 11PM ET

Register your product online at www.samsung.com/eliteservice
to receive Samsung Elite Service*

With Samsung Elite Service you will receive:
Complimentary Technician Home Visit
Complimentary VIP Hotline and VIP Website

*Available in Samsung Branded Engineer coverage USA markets only.
Please visit Elite Service website or contact VIP Hotline for eligibility and more details.
Subject to certain restrictions/limitations.

Communiquez avec SAMSUNG WORLD WIDE

Si vous avez des questions ou des commentaires concernant des produits Samsung, veuillez communiquer avec le centre de service à la clientèle de SAMSUNG.

Pays	Centre d'appels	Site Internet
U.S.A	1-800-SAMSUNG (726-7864) 1-844-SAM-PAYS (726-7297)	www.samsung.com/us/support
CANADA	1-800-SAMSUNG(726-7864) 1-844-SAM-PAYS (726-7297)	www.samsung.com/ca/support (English) www.samsung.com/ca_fr/support (French)



DA68-03460F-02