

RF28HFEDTSR

28 cu. ft. French Door Refrigerator with CoolSelect Pantry™ and Dual Ice Maker

Features

- Large Capacity – 28 cu. ft.
- Additional Filtered Ice Maker in the Freezer
- Twin Cooling Plus™
- Ice Master Ice Maker in the Refrigerator
- Cool Select Pantry™ with Temperature Control
- Premium External Filtered Water and Ice Dispenser
- High-Efficiency Top and Side LED Lighting
- EZ-Open Handle™ on Freezer Door
- Adjustable Shelf for Tall Oversized Items
- Two Humidity-Controlled Crispers
- Tempered Glass Spill-Proof Shelves
- Auto Pull-Out Upper Freezer Drawer
- Easy-to-Access Water Filter

Convenience

- Cool Tight Door
- Door Alarm
- Water Filter Indicator



ENERGY STAR® Rated: CEE Tier 1
(10% more efficient than Federal Standard)
725 kWh/yr



Ice Master



Filtered Dual Ice in Freezer

Available Colors



Stainless Steel



White



Black

Signature Features

LARGE CAPACITY

- Our 28 cu. ft. large capacity French Door has enough room to fit up to 28 bags of groceries.¹

¹ Grocery comparison based on each cubic foot of usable space equaling one paper bag.

ICE MASTER

- Our Ice Master makes 12 lbs. of ice per day with storage for nearly 10 lbs.²
- Space-saving design leaves more room in the refrigerator.

² Actual Dual Ice Master storage is 9.7 lbs.

COOL SELECT PANTRY™

- Provides additional temperature control for your food storage needs with Deli, Fresh and Chilled options.



Ranked **“Highest in customer satisfaction with French Door refrigerators, in a tie.”***

—J.D. Power

SAMSUNG

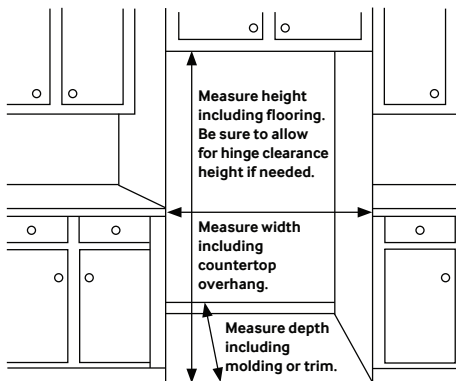
RF28HFEDTSR

28 cu. ft. French Door Refrigerator with Cool Select Pantry™ and Dual Ice Maker

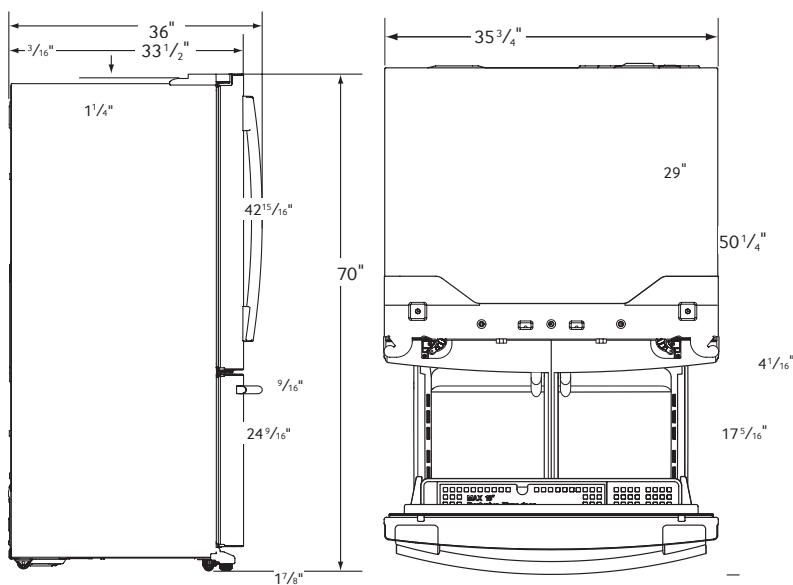
Installing Your Refrigerator

1. Measure the height, width and depth of the opening, making sure to include baseboards, molding tile, countertop overhang, etc. Check to be sure there is enough room to open the door (consider walls, islands or other obstacles when measuring).
2. Refer to illustration below to determine dimensions.
3. Allow 2" of clearance on hinge side of refrigerator when installing next to a wall where handle may make contact.
4. Allow 1" minimum clearance at rear for proper air circulation and water/electrical connections. Allow a 3/8" minimum clearance at sides and top for ease of installation.
5. Ensure each door and entry way in the home is wide enough for the refrigerator to be moved through easily.

Please note: The following dimension and cutout information is for planning purposes only. For complete installation details consult manual packed with product, or download manual on-line at samsung.com.



Dimensions



Total Capacity: 28.07 cu. ft.

Refrigerator: 19.14 cu. ft.

- Premium External Filtered Water and Ice Dispenser
- Ice Master Ice Maker
- CoolSelect Pantry™ with Temperature Control – Deli (41°C), Fresh (38°F) and Chilled (32°F) options
- 2 Humidity-Controlled Crispers
- 5 Tempered Glass Spill-Proof Shelves
- Adjustable Shelf for Tall oversized Items
- 6 Door Bins
 - Right Door: 3 Gallon Bins
 - Left Door: 3 Regular Bins
- High-Efficiency Top and Side LED Lighting

Freezer: 8.93 cu. ft.

- Filtered Ice Maker (Cubed)
- EZ-Open Handle™
- 1 Drawer Divider
- High-Efficiency LED Lighting

Accessories

Water Filter: HAF-CIN

Warranty

One (1) Year Parts and Labor on Refrigerator

Five (5) Years Parts and Labor on Sealed Refrigeration System Only*

Ten (10) Years Parts and Five (5) Years Labor on Digital Inverter Compressor

*Compressor, evaporator, condenser, drier, connecting tubing

Product Dimensions & Weight

Dimensions (WxHxD with hinges, handles and doors): 35 3/4" x 70" x 36"

Dimensions (WxHxD without hinges and door): 35 3/4" x 68 7/8" x 29"

Dimensions (WxHxD with hinge and door, no handle): 35 3/4" x 70" x 33 1/2"

Weight: 326 lbs.

Shipping Dimensions & Weight (WxHxD)

Dimensions: 38 5/8" x 76 5/8" x 36 1/8"

Weight: 352 lbs.

Color	Model #	UPC Code
Stainless Steel	RF28HFEDTSR	887276966076
White	RF28HFEDTWW	887276958408
Black	RF28HFEDTBC	887276967578

SAMSUNG

*Samsung received the highest numerical score for French door refrigerators in a tie in the proprietary J.D. Power 2014 Kitchen Appliance StudySM. Study based on 15,380 total responses measuring 10 French door refrigerator brands and measures opinions of consumers about their new appliance purchased in the past 24 months. Proprietary study results are based on experiences and perceptions of consumers surveyed in January-March 2014. Your experiences may vary. Visit jdpower.com.

Actual color may vary. Design, specifications, and color availability are subject to change without notice. Non-metric weights and measurements are approximate.

©2014 Samsung Electronics America, Inc. 85 Challenger Road, Ridgefield Park, NJ 07660. Tel: 800-SAMSUNG. samsung.com. Samsung is a registered trademark of Samsung Electronics Co. Ltd.