

DV455EVGSGR

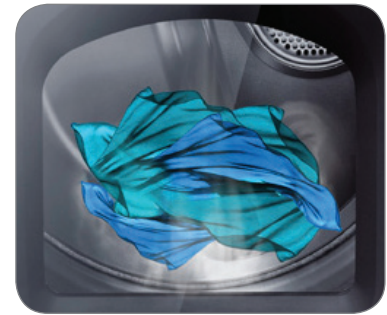
Samsung Front-Load Electric Dryer

Features

- 7.5 cu. ft. Capacity DOE
- Steam Drying Technology:
 - Steam Refresh
 - Steam Wrinkle Away
- Smart Control
- Smart Care
- Eco Normal Dry Cycle
- Stainless Steel Drum
- 14 Preset Drying Cycles
- 11 Options
- 5 Temperature Settings
- 4-Way Venting
- Sensor Dry – Detects Moisture and Adjusts Drying Time
- Drying Rack
- Dryer Drum Light
- Reversible See-Through Door

Convenience

- Child Lock
- My Cycle Option
- Delay Start – Up to 24 Hours
- Lint Filter Indicator
- Remaining Time Display
- Adjustable End-of-Cycle Signal (On/Off)



Steam Dry



Smart Control

Available Colors



Onyx
(shown)



White

Signature Features

STEAM DRY

- Steam Refresh helps remove odors and freshens clothes. Steam Wrinkle Away relaxes wrinkles to reduce ironing.

SMART CONTROL

- This innovative smartphone app lets you remotely start your washer and select the cycle, time and water temperature from anywhere within a wireless network.*

SMART CARE

- Perform a quick diagnosis and get access to troubleshooting options on your smartphone.*

* App Available on Google Play and iTunes App Store.
Available for iPhone 4/4S and Galaxy Series smartphones and Galaxy Note.



Ranked **"Highest in Customer Satisfaction with Clothes Dryers"**
by J.D. Power and Associates.

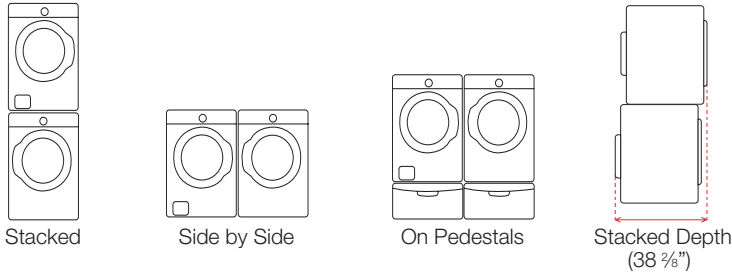
(5 Consecutive Years)

SAMSUNG

DV455EVGSGR

Samsung Front-Load Electric Dryer

Installing Options



7.5 Capacity (cu. ft./DOE)

4-Way Venting

13 Preset Wash Cycles:

Steam Refresh, Steam Wrinkle Away, Eco Normal, Normal, Heavy Duty, Permanent Press, Bedding, Delicates, Wool, Sanitize, Time Dry, Air Fluff, Quick Dry

9 Options:

Mixed Load Bell, Wrinkle Prevent, Delay Start – Up to 24 Hours, My Cycle, Rack Dry, Adjust Time, Drum Light, Smart Control, Smart Care

5 Temperature Settings:

Hot, Warm, Eco Warm, Cold, Tap Cold

5 Spin Settings:

Extra High, High, Medium, Low, No Spin

5 Soil Settings:

Heavy, Heavy Medium, Normal, Low Medium, Light

2 Signal Level Settings:

On/Off

Warranty

One (1) Year Parts and Labor
Two (2) Years Control Board
Three (3) Years Stainless Steel Drum
Ten (10) Years Direct Drive Motor

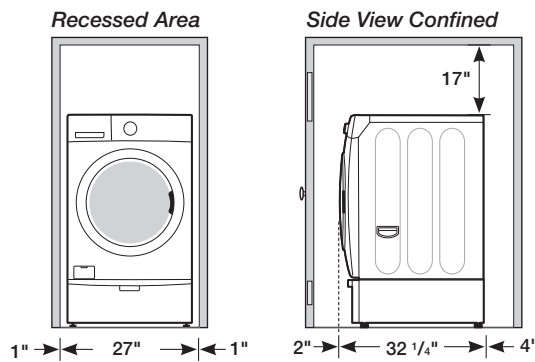
Installing Your Dryer

1. Alcove or closet installation

Minimum clearances for closets and alcove:

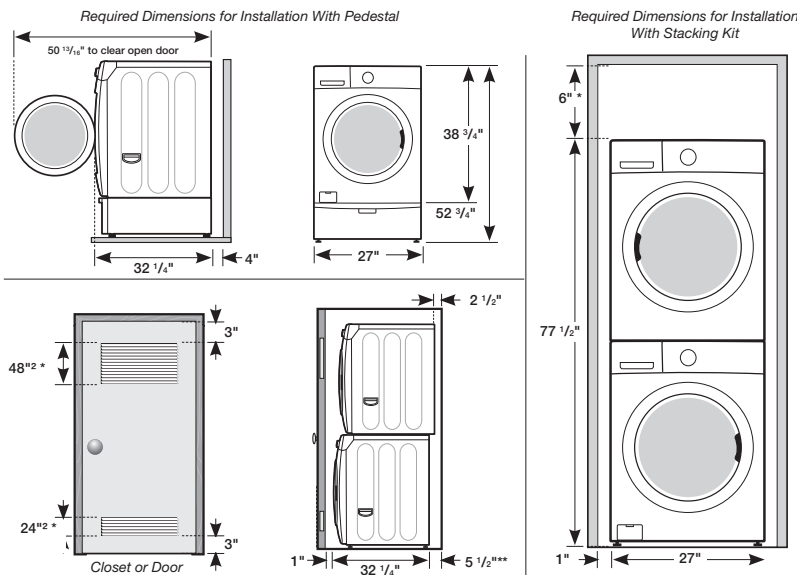
Sides - 1 In. (2.5 cm)
Top - 17 In. (43.2 cm)
Rear - 4 In. (10.2 cm)
Closet Front - 2 In. (5.1 cm)

If the washer and dryer are installed together, the closet front must have at least a 72 in² (465cm²) unobstructed air opening. Your washer alone does not require a specific air opening.



Dimensions

2. With optional pedestal base or stacking kit



* Required spacing

** External exhaust elbow requires additional space.

Product Dimensions & Weight (WxHxD)

Dimensions: 27" x 38³/₄" x 32¹/₄"

Weight: 125.6 lbs

Shipping Dimensions & Weight (WxHxD)

Dimensions: 29³/₈" x 42³/₈" x 33¹/₂"

Weight: 134.4 lbs

Color	Model #	UPC Code
White	DV455EVGSWR	036725570597
Onyx	DV455EVGSGR	036725570818

Matching Dryer (Electric/Gas)

White	WF455ARGSWR	036725570580
Onyx	WF455ARGSGR	036725570801

SAMSUNG

Actual color may vary. Design, specifications, and color availability are subject to change without notice. Non-metric weights and measurements are approximate. Samsung received the highest numerical score for clothes washers (2009-2012) and dryers (2008-2012) in the proprietary J.D. Power and Associates Laundry Appliance Studies. SM 2012 study based on 9,339 total responses measuring 12 brands, and measures opinions of consumers about their washer and dryer obtained new in the past 24 months. Proprietary study results are based on experiences and perceptions of consumers surveyed in January-February 2012. Your experiences may vary. Visit jdpower.com.

©2013 Samsung Electronics America, Inc. 85 Challenger Road, Ridgefield Park, NJ 07660. Tel: 800-SAMSUNG. samsung.com. Samsung is a registered trademark of Samsung Electronics Co. Ltd.