

# DV50F9A8EVP

Samsung Top-Load Electric Dryer

## Features

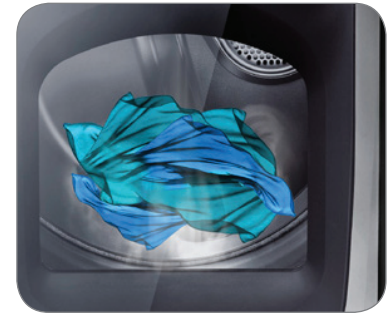
- Steam Drying Technology
- 7.4 cu. ft. Capacity DOE
- Vent Blockage Sensor
- Smart Care
- Moisture Sensor
- Stainless Steel Drum
- 4-Way Venting
- 15 Preset Dry Cycles and 9 Options
- Heating Element: 5300W/22,000 BTU/hr
- LED Display: Ice Blue

## Convenience

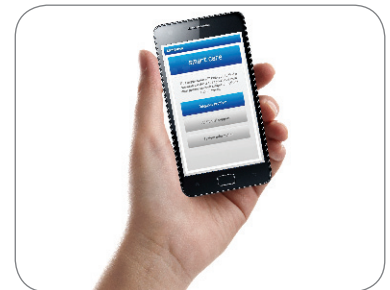
- Reversible See-Through Door
- Dryer Drum Light
- Drying Rack
- Child Lock
- Lint Filter Indicator
- 5 Dry Levels
- 5 Temperature Settings
- 5 Timed Settings
- 2 Signal Level Settings



ENERGY STAR® rated:  
Rated CEE Tier 3  
MEF = 2.7  
WCF = 3.7  
165 kWh/yr



Steam Dry



Smart Care

## Available Colors



Stainless Platinum  
(shown)



Neat White

## Signature Features

### THE POWER OF STEAM

- Helps freshen clothes and remove wrinkles.
- Steam Refresh helps remove odors and freshen clothes.
- Steam Wrinkle Away relaxes wrinkles to reduce ironing.

### SMART CARE

- Perform a quick diagnosis of your dryer right from your smartphone.\*
- Get access to troubleshooting options.

\* Available for iPhone 4/4S and Galaxy S1/S2/S3/NOTE.  
Smart Washer/Dryer App available on Google Play and iTunes.

### VENT SENSOR

- Alerts you when to clean your vent to avoid lint blockages.
- Cleaning vents regularly improves dryer performance.



Ranked **"Highest in Customer Satisfaction with Clothes Dryers"**  
by J.D. Power and Associates.  
(5 Consecutive Years)

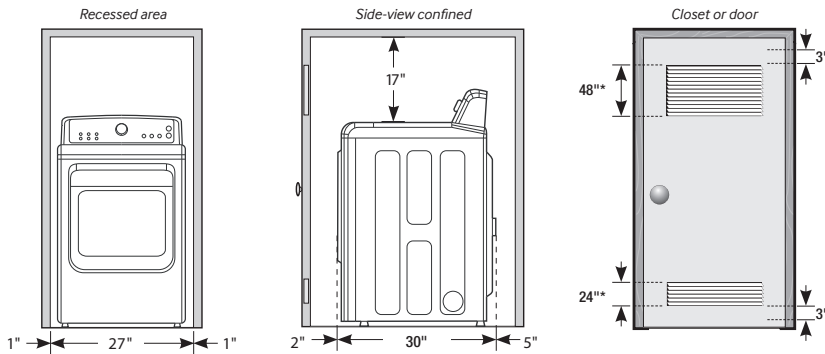
**SAMSUNG**

# DV50F9A8EVP

Samsung Top-Load Electric Dryer

## Installing Your Dryer

### Alcove or closet installation



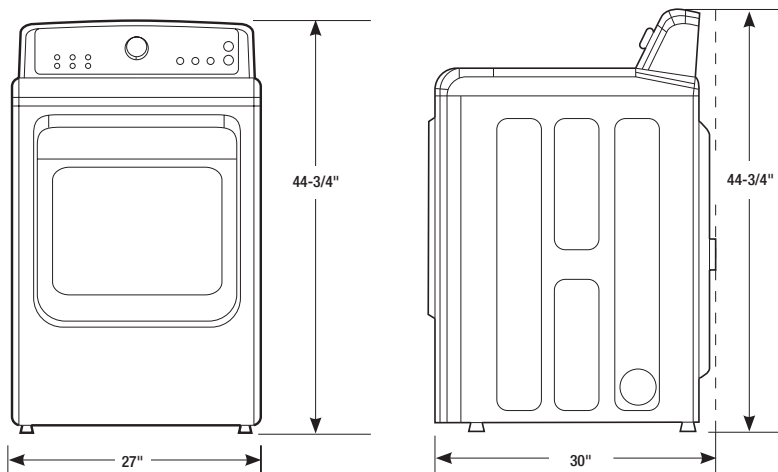
### Minimum clearances for closets and alcoves:

- Sides – 1"
- Top – 17"
- Rear – 5"
- Closet front – 2"

If the washer and dryer are installed together, the closet front must have at least a 72 in (465 cm) unobstructed air opening. Your washer alone does not require a specific air opening.

\* Required spacing.  
(External exhaust elbow requires additional space)

## Dimensions



## 7.4 cu. ft. Capacity DOE

Stainless Steel Drum

4-Way Venting

### 15 Preset Dry Cycles:

Refresh, Steam Sanitize, Wrinkle Away, Normal, Heavy Duty, Towels, Permanent Press, Bedding, Delicates, Jeans, Sanitize, Time Dry, Air Fluff, Quick Dry, Rack Dry

### 9 Options:

Mixed Load Bell, Wrinkle Prevent, Adjust Time, My Cycle, Child Lock, Signal On/Off, Anti Static, Small Load Care, Drum Light, Smart Care

### 5 Dry Levels:

Very Dry, More Dry, Normal Dry, Less Dry, Damp Dry

### 5 Temperature Settings:

High, Medium, Medium Low, Low, Extra Low

### 5 Timed Settings:

60 min., 50 min., 40 min., 30 min., 20 min.

### 2 Signal Level Settings:

On/Off

## Warranty

One (1) Year All Parts and Labor  
Two (2) Years Control Board

## Product Dimensions & Weight (WxHxD)

Dimensions: 27" x 44<sup>3</sup>/<sub>4</sub>" x 30"

Weight: 128.2 lbs

## Shipping Dimensions & Weight (WxHxD)

Dimensions: 29<sup>1</sup>/<sub>2</sub>" x 47" x 31<sup>1</sup>/<sub>8</sub>"

Weight: 139.6 lbs

Electric	Model #	UPC Code
Stainless Platinum	DV50F9A8EVP	887276018461
Neat White	DV50F9A8EVP	887276018003

Gas	Model #	UPC Code
Stainless Platinum	DV50F9A8GVP	887276018713
Neat White	DV50F9A8GVP	887276018010

## Matching Washer

Stainless Platinum	WA50F9A8DSP	887276018140
Neat White	WA50F9A8DSW	887276017860

Actual color may vary. Design, specifications, and color availability are subject to change without notice. Non-metric weights and measurements are approximate.

**SAMSUNG**

Samsung received the highest numerical score for clothes washers in the proprietary J.D. Power and Associates 2009-2012 Laundry Appliance Study<sup>SM</sup> 2012 study based on 9,339 total responses measuring 12 brands and measures opinions of consumers about their washer obtained new in the past 24 months. Proprietary study results are based on experiences and perceptions of consumers surveyed in January-February 2012. Your experiences may vary. Visit [jdpower.com](http://jdpower.com).

©2013 Samsung Electronics America, Inc. 85 Challenger Road, Ridgefield Park, NJ 07660. Tel: 800-SAMSUNG. [samsung.com](http://samsung.com). Samsung is a registered trademark of Samsung Electronics Co. Ltd.