

# WF42H5200AP

Samsung Front-Load Washer

4.2 cu. ft. Capacity DOE

## Features

- Steam Washing
- Smart Care
- Self Clean+
- VRT® – Vibration Reduction Technology
- Diamond Drum Design
- Direct Drive Motor
- 1200 rpm Maximum Spin Speed
- Internal Water Heater
- 9 Preset Wash Cycles
- 10 Options
- Garment+

## Convenience

- Child Lock
- Door Lock
- Dispenser Trays: Main Wash, Softener, Bleach



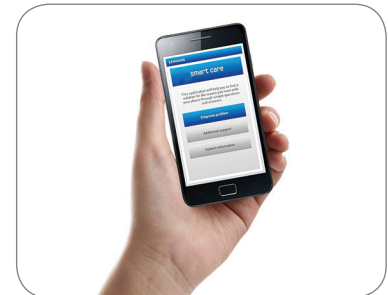
ENERGY STAR® rated:

CEE Tier 3

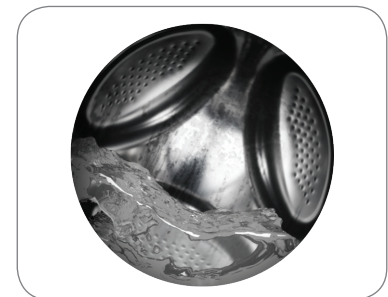
MEF=3.20

WCF=2.90

95 kWh/yr



Smart Care



Self Clean+

## Available Colors:



Platinum  
(shown)



White



Ranked **"Highest in Customer Satisfaction with Front-Load Clothes Washers."**\*

– J.D. Power

This is the sixth consecutive year Samsung has received a Customer Satisfaction Award for Clothes Washers.



Achieved the U.S. Environmental Protection Agency's 2014 ENERGY STAR® "Most Efficient" designation.

## Signature Features

### STEAM WASHING

- Powerful steam removes stains.
- No pre-treatment needed.

### SMART CARE

- Troubleshoot with your smartphone.
- Perform a quick diagnosis of your washer and dryer right from your smartphone.<sup>1</sup>

<sup>1</sup> Available for iPhone 4/4S/5/5S and Galaxy S1/S2/S3/S4 NOTE/NOTE2.

### SELF CLEAN+

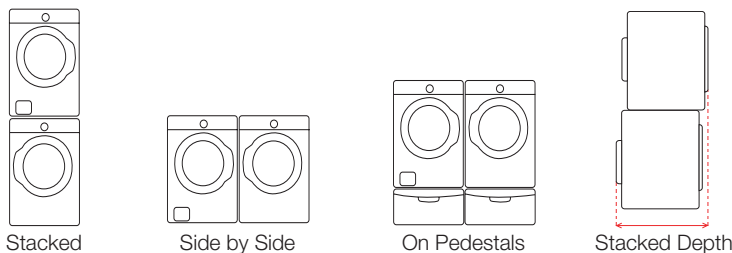
- New self-cleaning technology.
- Keeps your front load washer fresh without the use of harsh chemicals.
- Reminds you to run Self Clean+ every 40 cycles.
- Additional cleaning of the gasket.

**SAMSUNG**

# WF42H5200AP

Samsung Front-Load Washer

## Installing Options



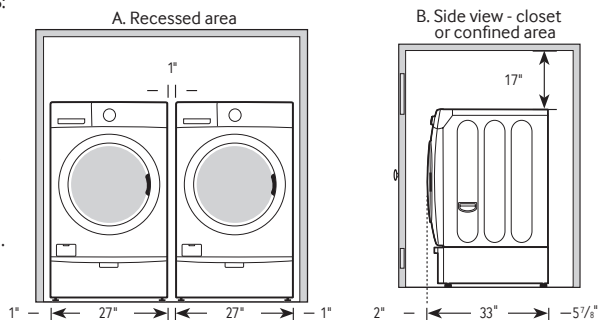
## Installing Your Washer

### 1. Alcove or closet installation

MINIMUM CLEARANCES FOR CLOSET AND ALCOVE INSTALLATIONS:

Sides – 1"  
Rear – 5<sup>7</sup>/<sub>8</sub>"  
Top – 17"  
Closet Front – 2"

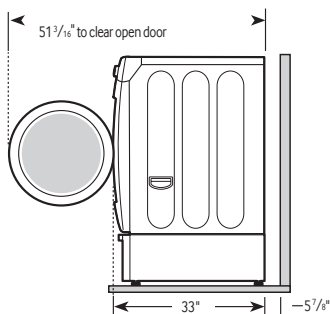
If the washer and dryer are installed together, the closet front must have at least a 72" unobstructed air opening. Your washer alone does not require a specific air opening.



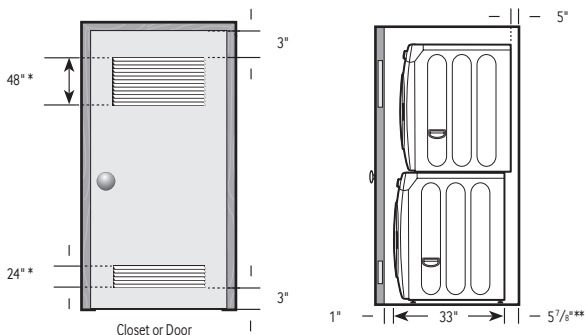
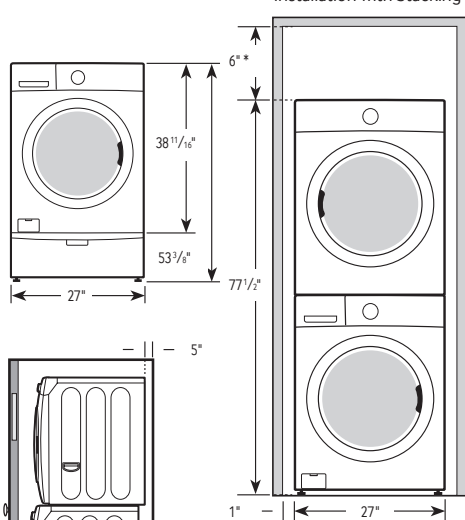
## Dimensions

### 2. With optional pedestal base or stacking kit

Required Dimensions for Installation with Pedestal



Required Dimensions for Installation with Stacking Kit



\*Required spacing.  
\*\*External exhaust elbow requires additional space.

## 4.2 cu. ft. Capacity DOE

### 9 Preset Wash Cycles:

Normal, Heavy Duty, Permanent Press, Sanitize, Allergen, Bedding, Delicates, Quick Wash, Rinse and Spin

### 10 Options:

Steam, Self Clean+, Delay End, My Cycle, Extra Rinse, Extra Spin, Sound, Spin Only, Child Lock, Smart Care

### 4 Temperature Settings:

Hot, Warm, Eco Warm, Cold

### 4 Spin Settings:

High, Medium, Low, No Spin

### 3 Soil Settings:

Heavy, Normal, Light

### Dispenser Trays:

Main Wash, Softener, Bleach

### Warranty

One (1) Year Parts and Labor  
Two (2) Years Control Board  
Three (3) Years Stainless Steel Drum  
Ten (10) Years Direct Drive Motor

### Product Dimensions & Weight (WxHxD)

Dimensions: 27" x 38<sup>11</sup>/<sub>16</sub>" x 33"

Weight: 194 lbs

### Shipping Dimensions & Weight (WxHxD)

Dimensions: 29<sup>1</sup>/<sub>4</sub>" x 41<sup>11</sup>/<sub>16</sub>" x 34<sup>5</sup>/<sub>8</sub>"

Weight: 203 lbs

Color	Model #	UPC Code
Platinum	WF42H5200AP	887276963082
White	WF42H5200AW	887276962993

### Matching Dryer (Electric/Gas)

Platinum	DV42H5200EP	887276963204
White	DV42H5200EW	887276963211
Platinum	DV42H5200GP	887276963235
White	DV42H5200GW	887276963242

**SAMSUNG**

\*Samsung received the highest numerical score for front-load clothes washers in the proprietary J.D. Power 2014 Laundry Appliance Study<sup>SM</sup>. Study based on 6,649 total responses measuring 10 front-load washer brands and measures opinions of consumers about their new appliance purchased in the past 24 months. Proprietary study results are based on experiences and perceptions of consumers surveyed in January-March 2014. Your experiences may vary. Visit [jdpower.com](http://jdpower.com).

Actual color may vary. Design, specifications, and color availability are subject to change without notice. Non-metric weights and measurements are approximate.

The ENERGY STAR Most Efficient 2014 designation recognizes the most efficient products among those that qualify for the ENERGY STAR program. These exceptional clothes washers represent the leading edge in energy efficient products.

©2014 Samsung Electronics America, Inc. 85 Challenger Road, Ridgefield Park, NJ 07660. Tel: 800-SAMSUNG, [samsung.com](http://samsung.com). Samsung is a registered trademark of Samsung Electronics Co. Ltd.