

WF45H6300AG

Samsung Front-Load Washer

4.5 cu. ft. Capacity DOE

Features

- PowerFoam™
- Steam Washing
- SuperSpeed
- Smart Care
- Self Clean+
- VRT Plus™
- Eco Cold Wash
- Diamond Drum Design
- Direct Drive Motor
- 1300 rpm Maximum Spin Speed
- Internal Water Heater
- 13 Preset Wash Cycles
- 13 Options
- Garment+

Convenience

- Child Lock
- Door Lock
- Drum Light
- Dispenser Trays: Prewash, Main Wash, Softener, Bleach



4.5 cu. ft. Capacity



SuperSpeed



ENERGY STAR® rated:
CEE Tier 3
MEF=3.42
WCF=2.70
90 kWh/yr

Available Colors:



Onyx
(shown)



White

Signature Features

POWERFOAM™

- Powerful washing performance.
- Creates a powerful yet gentle foam that easily penetrates through fabrics.
- Confidently wash even your largest loads.

STEAM WASHING

- Powerful steam removes stains.
- No pre-treatment needed.

SUPERSPEED

- 40% faster wash cycle.¹
- Wash a full load in only 36 minutes.¹
- Save over 3 hours of laundry time every week.²
- Laundry gets done quicker without loss of performance.

¹ Normal one-hour wash can now be completed in as little as up to 36 minutes as compared to WF511 washer without SuperSpeed. Based on DOE standard's average of 7.5 loads per week.

² DOE consumer average of 350 10-lb. loads per year with average normal wash cycle of 53 minutes equals a time savings over 3 hours per week.



Ranked **"Highest in Customer Satisfaction with Front-Load Clothes Washers."**^{**}

— J.D. Power

This is the sixth consecutive year Samsung has received a Customer Satisfaction Award for Clothes Washers.



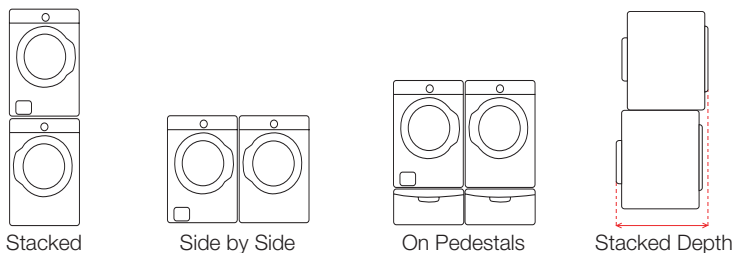
Achieved the U.S. Environmental Protection Agency's 2014 ENERGY STAR® "Most Efficient" designation.

SAMSUNG

WF45H6300AG

Samsung Front-Load Washer

Installing Options



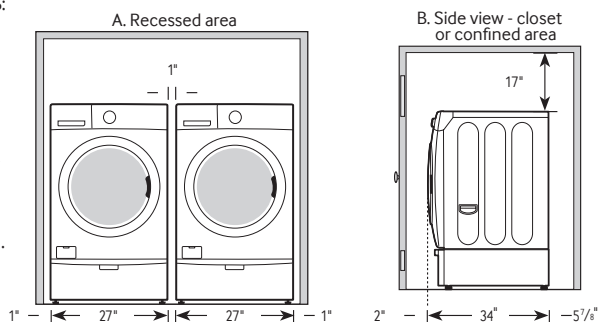
Installing Your Washer

1. Alcove or closet installation

MINIMUM CLEARANCES FOR CLOSET AND ALCOVE INSTALLATIONS:

Sides – 1"
Rear – 5⁷/₈"
Top – 17"
Closet Front – 2"

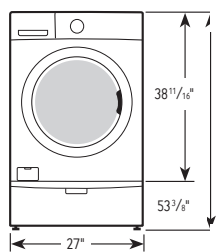
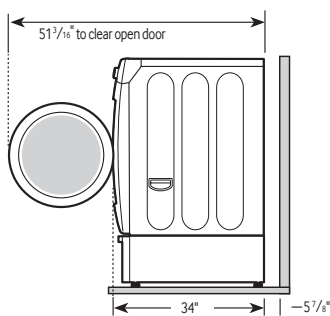
If the washer and dryer are installed together, the closet front must have at least a 72" unobstructed air opening. Your washer alone does not require a specific air opening.



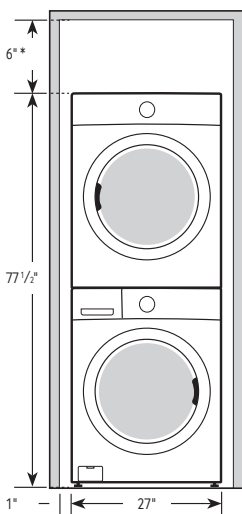
Dimensions

2. With optional pedestal base or stacking kit

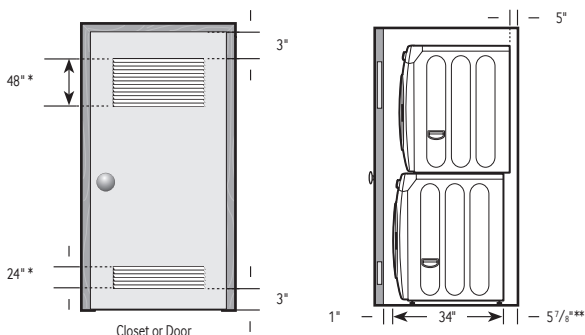
Required Dimensions for Installation with Pedestal



Required Dimensions for Installation with Stacking Kit



*Required spacing.
**External exhaust elbow requires additional space.



4.5 cu. ft. Capacity DOE

13 Preset Wash Cycles:

Eco Cold Wash, Normal, Heavy Duty, Permanent Press, Sanitize, Allergen, Bedding, Deep Steam, Active Wear, Delicates, Wool, Quick Wash, Rinse and Spin

13 Options:

SuperSpeed, Steam, Self Clean+, Delay End, My Cycle, Prewash, Extra Rinse, Extra Spin, Spin Only, Sound, Child Lock, Smart Care, Drum Light

5 Temperature Settings:

Extra Hot, Hot, Warm, Eco Warm, Cold

5 Spin Settings:

Extra High, High, Medium, Low, No Spin

5 Soil Settings:

Heavy, Heavy Medium, Normal, Low Medium, Light

Dispenser Trays:

Prewash, Main Wash, Softener, Bleach

Warranty

One (1) Year Parts and Labor
Two (2) Years Control Board
Three (3) Years Stainless Steel Drum
Ten (10) Years Direct Drive Motor

Product Dimensions & Weight (WxHxD)

Dimensions: 27" x 38¹¹/₁₆" x 34"

Weight: 231 lbs

Shipping Dimensions & Weight (WxHxD)

Dimensions: 29¹/₄" x 41¹¹/₁₆" x 34⁵/₈"

Weight: 242 lbs

Color

Onyx
White

Model

WF45H6300AG
WF45H6300AW

UPC Code

887276963020
887276963037

Matching Dryer (Electric/Gas)

Onyx
White
Onyx
White

DV45H6300EG
DV45H6300EW
DV45H6300GG
DV45H6300GW

887276963372
887276963402
887276963419
887276963433

SAMSUNG

*Samsung received the highest numerical score for front-load clothes washers in the proprietary J.D. Power 2014 Laundry Appliance StudySM. Study based on 6,649 total responses measuring 10 front-load washer brands and measures opinions of consumers about their new appliance purchased in the past 24 months. Proprietary study results are based on experiences and perceptions of consumers surveyed in January-March 2014. Your experiences may vary. Visit jdpower.com.

Actual color may vary. Design, specifications, and color availability are subject to change without notice. Non-metric weights and measurements are approximate.

The ENERGY STAR Most Efficient 2014 designation recognizes the most efficient products among those that qualify for the ENERGY STAR program. These exceptional clothes washers represent the leading edge in energy efficient products.

©2014 Samsung Electronics America, Inc. 85 Challenger Road, Ridgefield Park, NJ 07660. Tel: 800-SAMSUNG, samsung.com. Samsung is a registered trademark of Samsung Electronics Co. Ltd.