

WF45H6300AG

Samsung Front-Load Washer

4.5 cu. ft. Capacity DOE

Features

- PowerFoam™
- Steam Washing
- SuperSpeed
- Smart Care
- Self Clean+
- VRT™ Plus
- Eco Cold Wash
- Diamond Drum Design
- Direct Drive Motor
- 1300 rpm Maximum Spin Speed
- Internal Water Heater
- 13 Preset Wash Cycles
- 13 Options
- Garment+

Convenience

- Child Lock
- Door Lock
- Drum Light
- Dispenser Trays: Prewash, Main Wash, Softener, Bleach



4.5 cu. ft. Capacity



SuperSpeed



ENERGY STAR® rated:

CEE Tier 3

MEF=3.42

WCF=2.70

90 kWh/yr



Available Colors:



Onyx
(shown)



White

Signature Features

POWERFOAM™

- Powerful washing performance.
- Creates a powerful yet gentle foam that easily penetrates through fabrics.
- Confidently wash even your largest loads.

STEAM WASHING

- Powerful steam removes stains.
- No pre-treatment needed.

SUPERSPEED

- 40% faster wash cycle.
- Wash a full load in only 36 minutes.*
- Save over 3 hours of laundry time every week.**
- Laundry gets done quicker without loss of performance.

*Normal one-hour wash can now be completed in as little as up to 36 minutes as compared to WF511 washer without SuperSpeed. Based on DOE standard's average of 7.5 loads per week.

**DOE consumer average of 350 10-lb. loads per year with average normal wash cycle of 53 minutes equals a time savings over 3 hours per week.



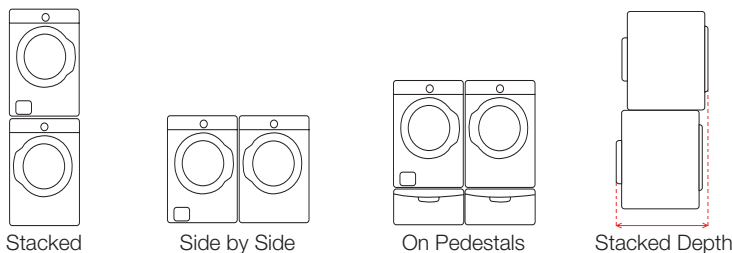
Ranked **"Highest in Customer Satisfaction with Clothes Washers"**
by J.D. Power and Associates.
(5 Consecutive Years)

SAMSUNG

WF45H6300AG

Samsung Front-Load Washer

Installing Options



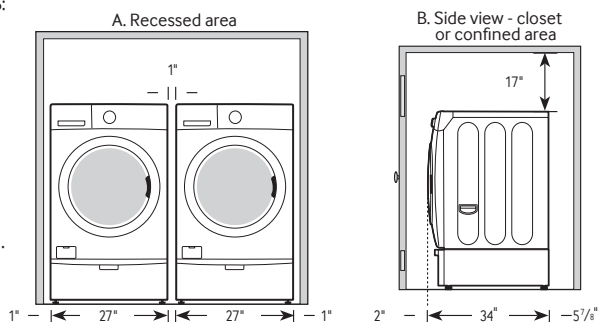
Installing Your Washer

1. Alcove or closet installation

MINIMUM CLEARANCES FOR CLOSET AND ALCOVE INSTALLATIONS:

Sides – 1"
Rear – 5⁷/₈"
Top – 17"
Closet Front – 2"

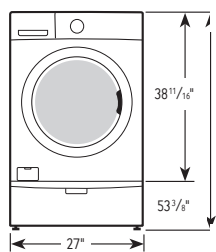
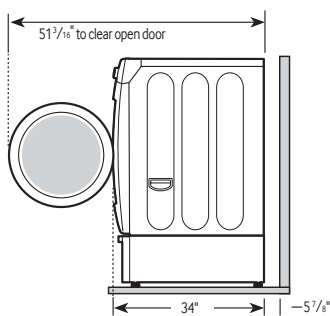
If the washer and dryer are installed together, the closet front must have at least a 72" unobstructed air opening. Your washer alone does not require a specific air opening.



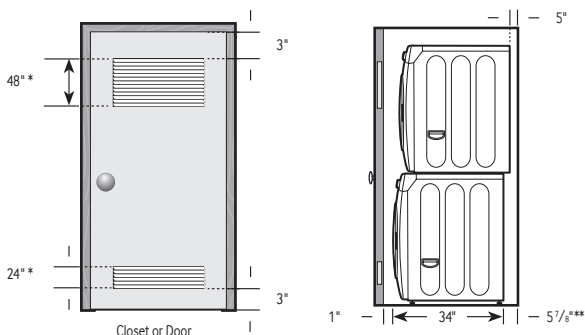
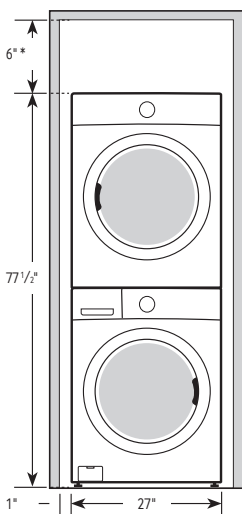
Dimensions

2. With optional pedestal base or stacking kit

Required Dimensions for Installation with Pedestal



Required Dimensions for Installation with Stacking Kit



*Required spacing.
**External exhaust elbow requires additional space.

4.5 cu. ft. Capacity DOE

13 Preset Wash Cycles:

Eco Cold Wash, Normal, Heavy Duty, Permanent Press, Sanitize, Allergen, Bedding, Deep Steam, Active Wear, Delicates, Wool, Quick Wash, Rinse and Spin

13 Options:

SuperSpeed, Steam, Self Clean+, Delay End, My Cycle, Prewash, Extra Rinse, Extra Spin, Spin Only, Sound, Child Lock, Smart Care, Drum Light

5 Temperature Settings:

Extra Hot, Hot, Warm, Eco Warm, Cold

5 Spin Settings:

Extra High, High, Medium, Low, No Spin

5 Soil Settings:

Heavy, Heavy Medium, Normal, Low Medium, Light

Dispenser Trays:

Prewash, Main Wash, Softener, Bleach

Warranty

One (1) Year Parts and Labor
Two (2) Years Control Board
Three (3) Years Stainless Steel Drum
Ten (10) Years Direct Drive Motor

Product Dimensions & Weight (WxHxD)

Dimensions: 27" x 38¹¹/₁₆" x 34"

Weight: 231 lbs

Shipping Dimensions & Weight (WxHxD)

Dimensions: 29¹/₄" x 41¹¹/₁₆" x 34⁵/₈"

Weight: 242 lbs

Color

Color	Model #	UPC Code
Onyx	WF45H6300AG	887276963020
White	WF45H6300AW	887276963037

Matching Dryer (Electric/Gas)

Onyx	DV45H6300EG	887276963372
White	DV45H6300EW	887276963402
Onyx	DV45H6300GG	887276963419
White	DV45H6300GW	887276963433

Actual color may vary. Design, specifications, and color availability are subject to change without notice. Non-metric weights and measurements are approximate.

SAMSUNG

Samsung received the highest numerical score for clothes washers (2009-2012) and dryers (2008-2012) in the proprietary J.D. Power and Associates Laundry Appliance Studies. SM 2012 study based on 9,339 total responses measuring 12 brands, and measures opinions of consumers about their washer and dryer obtained new in the past 24 months. Proprietary study results are based on experiences and perceptions of consumers surveyed in January-February 2012. Your experiences may vary. Visit jdpower.com.

©2014 Samsung Electronics America, Inc. 85 Challenger Road, Ridgefield Park, NJ 07660. Tel: 800-SAMSUNG. samsung.com. Samsung is a registered trademark of Samsung Electronics Co. Ltd.