

NA30K6550TS

30" Gas Cooktop

Features

- Wi-Fi Connectivity
- Powerful Cooktop
 - Right Front: 13K BTU
 - Left Front: 9.5K BTU
 - Right Rear: 5K BTU
 - Left Rear: 9.5K BTU
 - Center: Dual, 19K BTU
- Cast Iron 3-Piece Grates
- Sealed Burners
- Burner On/Off Monitoring



Convenience

- Dishwasher Safe Grates
- LP Conversion Kit



19K Power Burner



LED Illuminated Backlit Knobs

Available Colors



Stainless Steel (shown)



Black Stainless Steel

Signature Features

19K POWER BURNER

- Powerful burner boils water faster.

GRIDDLE

- Cook breakfast foods, grill sandwiches, or sauté vegetables on the griddle.

LED ILLUMINATED BACKLIT KNOBS

- Visually lets you know your cooktop is on, even at a distance.

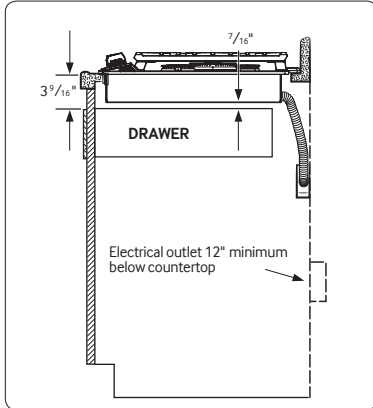
NA30K6550TS

30" Gas Cooktop

Installing Your Cooktop

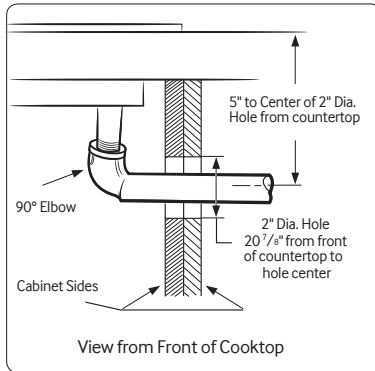
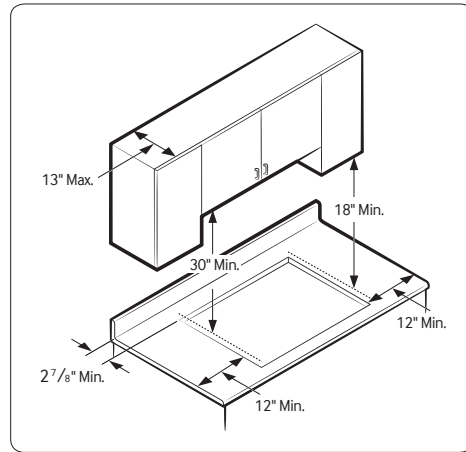
Can be installed over a single oven.

All horizontal clearances must be maintained for a minimum of 18" above the cooking surface.



Allow $\frac{7}{16}$ " minimum vertical clearance from the cooktop bottom (or $\frac{39}{16}$ " minimum depth from the countertop) to any combustible surfaces, including the upper edge of a drawer installed below the cooktop.

Maintain the following minimum clearance dimensions.



See built-in oven manual for complete installation instructions.

Total Power (BTU)

56K

Power Source

120V / 60 Hz / 20A

Gas Cooktop (BTU)

- Right Front: 13K
- Left Front: 9.5K
- Right Rear: 5K Simmer
- Left Rear: 9.5K
- Center: 19K (Dual)

Warranty

One (1) Year All Parts and Labor

Product Dimensions & Weight (WxHxD)

Outside (Max) Cooktop Dimensions:

30" x 5⁴¹/₇₂" x 22¹/₃"

Cooktop Cut-Out Dimensions:

28¹/₂" x 3¹/₈" x 19⁵/₈"

Weight: 27.1 lbs. (27.6 lbs. Black Stainless Steel)

Shipping Dimensions & Weight (WxHxD)

Dimensions:

34¹¹/₁₆" x 10⁵/₈" x 25⁵/₈"

Weight: 74.5 lbs. (75.0 lbs. Black Stainless Steel)

Color

Stainless Steel

Model

NA30K6550TS

UPC Code

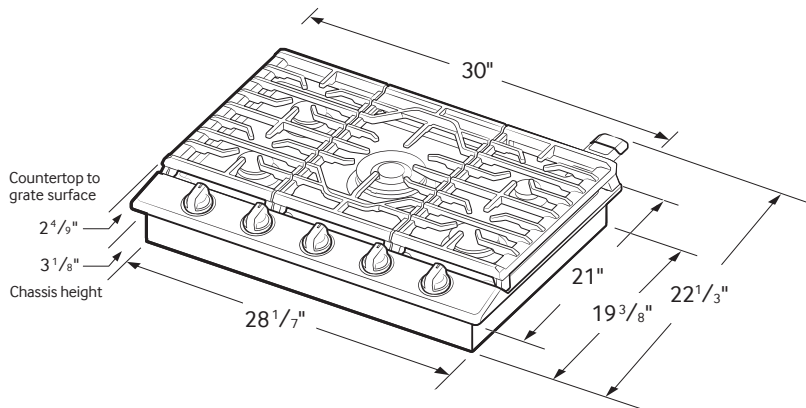
887276183473

Black Stainless Steel

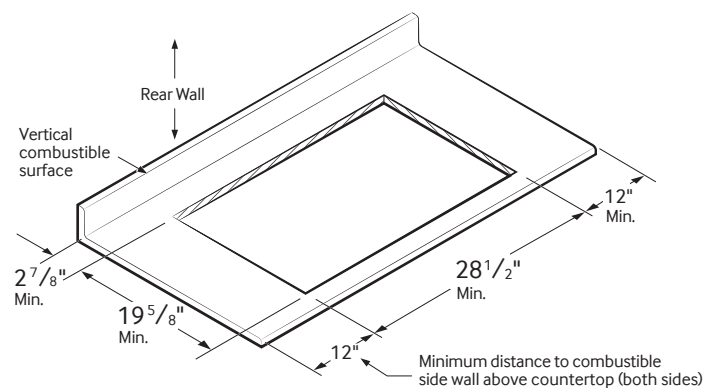
NA30K6550TG

887276183251

Cooktop Dimensions



Cut-Out Dimensions of Countertop



SAMSUNG

Actual color may vary. Design, specifications, and color availability are subject to change without notice. Non-metric weights and measurements are approximate.

©2017 Samsung Electronics America, Inc. 85 Challenger Road, Ridgefield Park, NJ 07660. Tel: 800-SAMSUNG. samsung.com. Samsung is a registered trademark of Samsung Electronics Co., Ltd.