

DW80K7050US

Samsung Dishwasher

Features

- StormWash™ Heavy Duty Wash System
- AutoRelease™ Door
- Third Rack
- Light Indicator
- Five-Layer, Insulated Door
- Digital Leakage Sensor
- FlexLoad™ Racking System
- Touch Control
- ENERGY STAR® rated: 239 kWh/Year
- Half-Load Cycle
- One-Touch Adjustable Racking System
- Quiet Operation – 44 dBA
- Full Stainless Steel Interior
- Hidden Heating Element
- 15 Place Settings
- Filtration System
- Electronic Touch Sensor
- 3 Spray Wash Arms (Upper, Middle, Lower)
- 6 Wash Cycles and 6 Wash Options
- 2 Silverware Baskets



AutoRelease™ Door



StormWash™

Convenience

- Control Lock
- Rinse Refill Indicator
- Cycle Progress Indicator
- Last Cycle Memory
- Five Sensors (Digital Water Leakage, Rinse Refill, Water Temperature, Turbidity, Water Fill)



Available Colors



Stainless Steel
(shown)



Black Stainless Steel

Signature Features

STORMWASH™

- Heavy-duty wash system makes pre-rinsing unnecessary.
- Powerful rotating spray jets positioned to clean dishes at every angle.
- Simply place hard-to-clean items above the StormWash™ wheel on the bottom rack and it scrubs them for you.

AUTORELEASE™ DOOR

- Door opens automatically to dry dishes faster.*

*Improvements versus drying performance of the DW80F600.

THIRD RACK

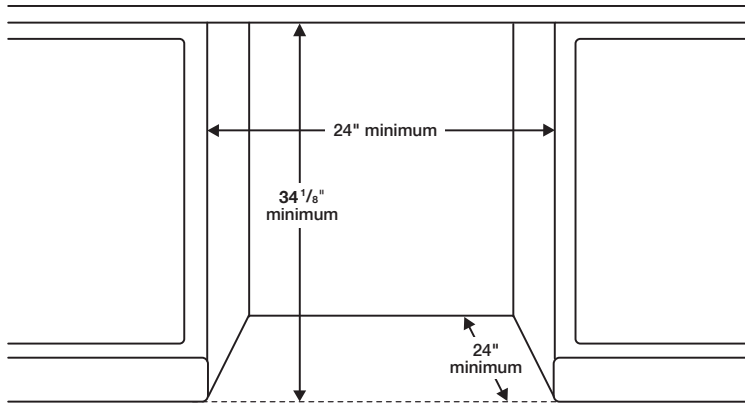
- Dedicated space for cutlery and utensils adds 30% more usable space to your dishwasher.

SAMSUNG

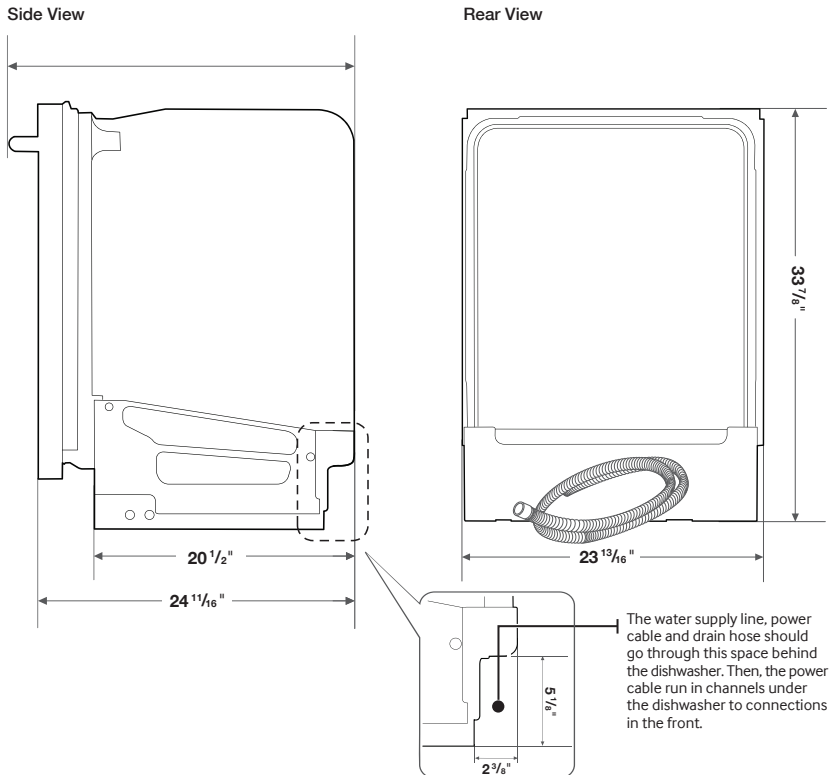
DW80K7050US

Samsung Dishwasher

Installing Your Dishwasher



Dimensions



Features

- 6 Wash Cycles: Auto, Heavy, Normal, Express 60, Delicate, Rinse Only
- 6 Options: StormWash™ Lower Rack Wash, Sanitize (Anti-Bacterial-NSF), Hi-Temp Wash, Delay Start, Control Lock
- Manual Filtration System
- Hidden Heat Element
- Stainless Steel Interior Tub

Convenience

- Control Lock
- Digital Water Leakage Sensor: Detects Water Leaks Before They Happen and Shuts Off the Dishwasher to Prevent Water Damage.
- Nylon Racking
- Upper Rack: 2 Cup Shelves, Adjustable Tines
- Lower Rack: Adjustable Tines
- 2 Silverware Baskets

Warranty

One (1) Year All Parts and Labor

Five (5) Year Limited on Printed Circuit Board and Interior Nylon Racks

Lifetime Limited Warranty on Stainless Steel Door Liner and Tub for Leakage

Product Dimensions & Weight (WxHxD)

Dimensions (height is adjustable):
23⁷/₈" x 33⁷/₈" – 35⁷/₈" x 24³/₄"

Weight: 97 lbs.

Shipping Dimensions & Weight (WxHxD)

Dimensions: 26" x 35" x 29¹/₂"

Weight: 108 lbs.

Color

Stainless Steel

Black Stainless Steel

Model

DW80K7050US

DW80K7050UG

UPC Code

887276166452

887276166438

SAMSUNG

Actual color may vary. Design, specifications, and color availability are subject to change without notice.

Non-metric weights and measurements are approximate.

©2016 Samsung Electronics America, Inc. 85 Challenger Road, Ridgefield Park, NJ 07660. Tel: 800-SAMSUNG. samsung.com. Samsung is a registered trademark of Samsung Electronics Co. Ltd.