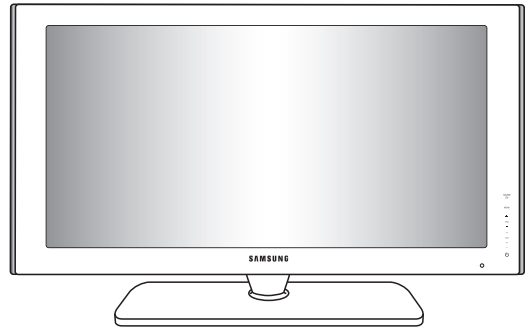


SAMSUNG

Quick Setup Guide



LN37A530P1F/LN40A530P1F/
LN46A530P1F/LN52A530P1F



1-800-SAMSUNG (7267864)

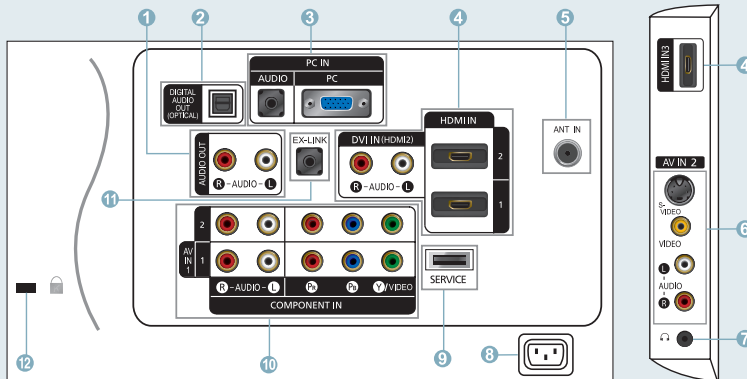
Samsung Electronics America, Inc.
105 Challenger Road Ridgefield Park, NJ 07660-0511

Samsung Electronics Canada Inc., Customer Service
55 Standish Court Mississauga, Ontario L5R 4B2

Call center hours of operation (Mon-Sun 9AM-12AM EST).

To register this product please visit
www.samsung.com/global/register

Rear Panel / Side Panel Jacks



- | | | |
|--|---------------|--------------------------------|
| 1 AUDIO OUT | 5 ANT IN | 9 SERVICE |
| 2 DIGITAL AUDIO OUT (OPTICAL) | 6 AV IN 2 | 10 COMPONENT IN 1, 2 / AV IN 1 |
| 3 PC IN [PC] / [AUDIO] | 7 HEADPHONE | 11 EX-LINK |
| 4 HDMI IN 1, 2, 3 / DVI IN (HDMI2) [R-AUDIO-L] | 8 POWER INPUT | 12 KENSINGTON LOCK |

Video Input Performance Comparison




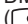



	HDMI/DVI	Best
	PC/COMPONENT	Better
	S-VIDEO	Good
	VIDEO	Normal

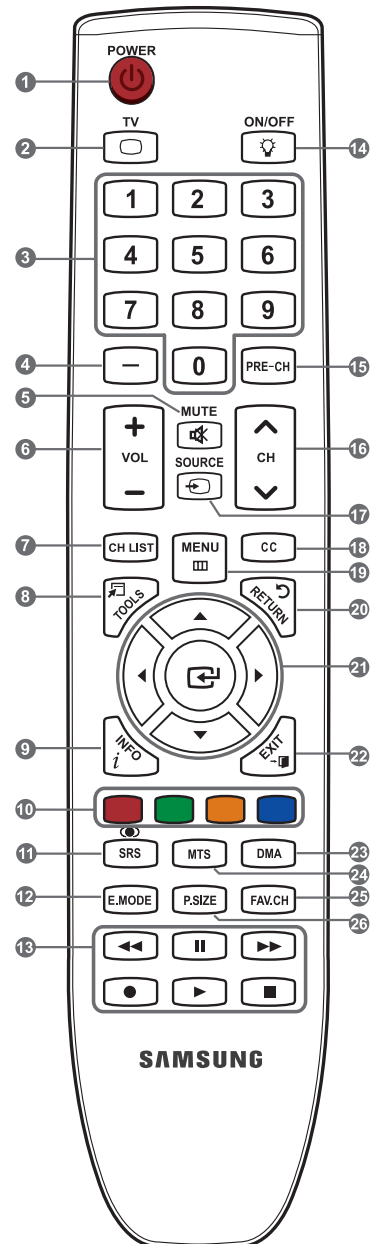
Audio Output Performance Comparison

	OPTICAL (Digital)	Best
	AUDIO (Analog)	Normal

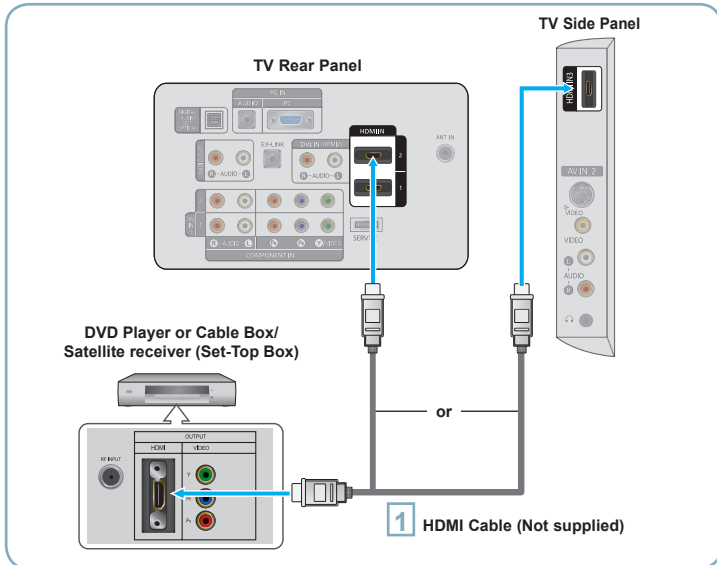
Remote Control

See “Remote Control” in the owner’s instructions for details.

- 1 **POWER**
Turns the TV on and off.
- 2 **TV**
Selects the TV mode directly.
- 3 **NUMERIC BUTTONS**
Press to change the channel.
- 4 
Press to select additional channels (digital and analog) being broadcast by the same station. For example, to select channel “54-3”, press “54”, then press “” and “3”.
- 5  **(MUTE)**
Press to temporarily cut off the sound.
- 6 **VOL – / VOL +**
Press to increase or decrease the volume.
- 7 **CH LIST**
Used to display Channel Lists on the screen.
- 8 **TOOLS**
Use to quickly select frequently used functions.
- 9 **INFO**
Press to display information on the TV screen.
- 10 **COLOR BUTTONS**
Use these buttons in the Channel list, etc.
- 11 **SRS**
Selects SRS TruSurround XT mode.
- 12 **E.MODE**
Press to select the preset display and sound modes for sports, cinema and games.
- 13 Use these buttons in the DMA, and Anynet+ modes.
(): This remote can be used to control recording on Samsung recorders with the Anynet+ feature)
- 14  **ON/OFF**
Press to backlight the buttons on the remote. This function is convenient for using at night or when the room is dark. (Using the remote control with the ON/OFF  light button set to On will reduce the battery usage time.)
- 15 **PRE-CH**
Tunes to the previous channel.
- 16 **CH ∨ / CH ∧**
Press to change channels.
- 17 **SOURCE**
Press to display and select the available video sources.
- 18 **CC**
Controls the caption decoder.
- 19 **MENU**
Displays the main on-screen menu.
- 20 **RETURN**
Returns to the previous menu.
- 21 **UP ▲ / DOWN ▼ / LEFT ◀ / RIGHT ▶ / ENTER** 
Use to select on-screen menu items and change menu values.
- 22 **EXIT**
Press to exit the menu.
- 23 **DMA (Digital Media Adapter)**
Use this when connecting a SAMSUNG DMA device through an HDMI interface and switching to DMA mode.
For more information on the operating procedures, refer to the user manual of the DMA.
- 24 **MTS**
Press to choose stereo, mono or Separate Audio Program (SAP broadcast).
- 25 **FAV.CH**
Press to switch to your favorite channels.
- 26 **P.SIZE**
Picture size selection.



Connecting a DVD Player or Cable Box/Satellite receiver (Set-Top Box) via HDMI



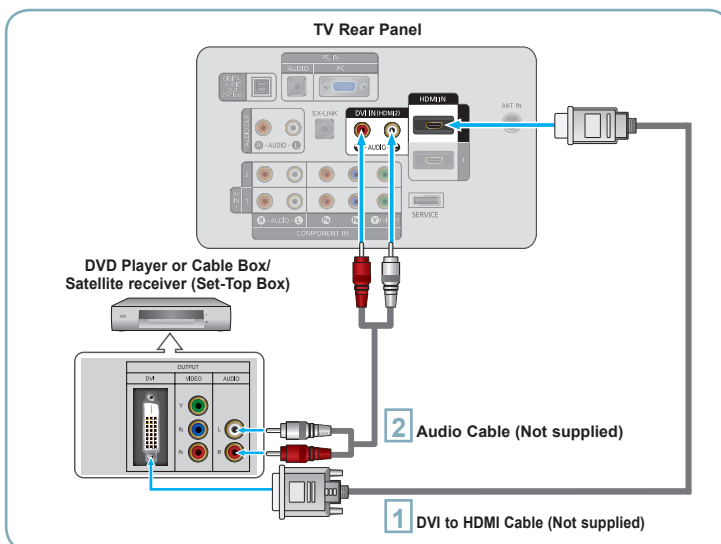
- 1 Connect an HDMI Cable between the HDMI IN (1, 2 or 3) jack on the TV and the HDMI jack on the DVD Player or Cable Box/Satellite receiver (Set-Top Box).

What is HDMI?

- HDMI (High-Definition Multimedia Interface), is an interface that enables the transmission of digital audio and video signals using a single cable.
- The difference between HDMI and DVI is that the HDMI device is smaller in size and has the HDCP (High Bandwidth Digital Copy Protection) coding feature installed.

- Each DVD Player or Cable Box/Satellite receiver (Set-Top Box) has a different back panel configuration.
- The TV may not output sound and pictures may be displayed with abnormal color when DVD players/Cable Boxes/Satellite receivers supporting HDMI versions older than 1.3 are connected. When connecting an older HDMI cable and there is no sound, connect the HDMI cable to the HDMI IN 2 jack and the audio cables to the DVI IN (HDMI2) [R-AUDIO-L] jacks on the back of the TV. If this happens, contact the company that provided the DVD player/Cable Box/Satellite receiver to confirm the HDMI version, then request an upgrade.
- HDMI cables that are not 1.3 may cause annoying flicker or no screen display.

Connecting a DVD Player or Cable Box/Satellite receiver (Set-Top Box) via DVI

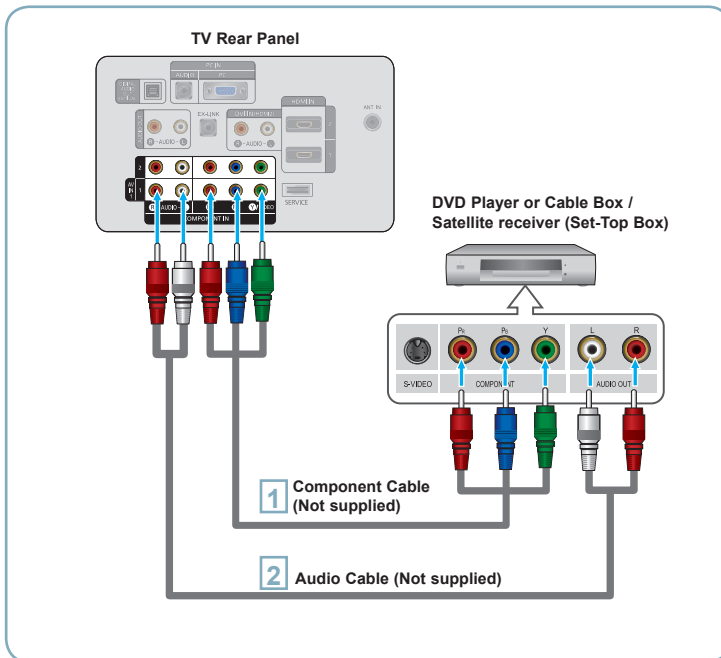


- 1 Connect a DVI to HDMI Cable or DVI-HDMI Adapter between the HDMI IN 2 jack on the TV and the DVI jack on the DVD Player or Cable Box/Satellite receiver (Set-Top Box).

- 2 Connect Audio Cables between the DVI IN (HDMI 2) [R-AUDIO-L] jack on the TV and the DVD Player or Cable Box/Satellite receiver (Set-Top Box).

- Each DVD Player or Cable Box/Satellite receiver (Set-Top Box) has a different back panel configuration.
- When connecting a DVD Player or Cable Box/Satellite receiver (Set-Top Box), match the color of the connection terminal to the cable.
- When using an HDMI/DVI cable connection, you must use the HDMI IN 2 jack.

Connecting a DVD Player or Cable Box/Satellite receiver (Set-Top Box) via Component cables

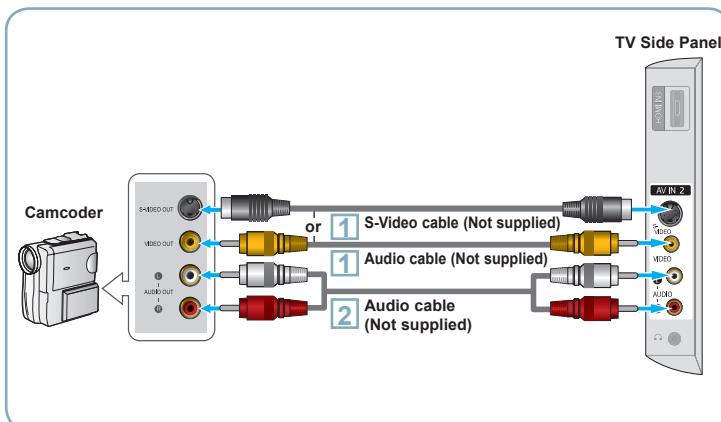


1 Connect a Component Cable between the COMPONENT IN (1 or 2) [Y, Pb, Pr] jacks on the TV and the COMPONENT [Y, Pb, Pr] jacks on the DVD Player or Cable Box/Satellite receiver (Set-Top Box).

2 Connect Audio Cables between the COMPONENT IN(1 or 2) [R-AUDIO-L] jacks on the TV and the AUDIO OUT jacks on the DVD Player or Cable Box/Satellite receiver (Set-Top Box).

- Component video separates the video into Y (Luminance (brightness)), Pb (Blue) and Pr (Red) for enhanced video quality. Be sure to match the component video and audio connections. For example, if connecting a Component video cable to COMPONENT IN 1, connect the audio cable to COMPONENT IN 1 also.
- Each DVD Player or Cable Box/Satellite receiver (Set-Top Box) has a different back panel configuration.
- When connecting a DVD Player or Cable Box/Satellite receiver (Set-Top Box), match the color of the connection terminal to the cable.

Connecting a Camcorder



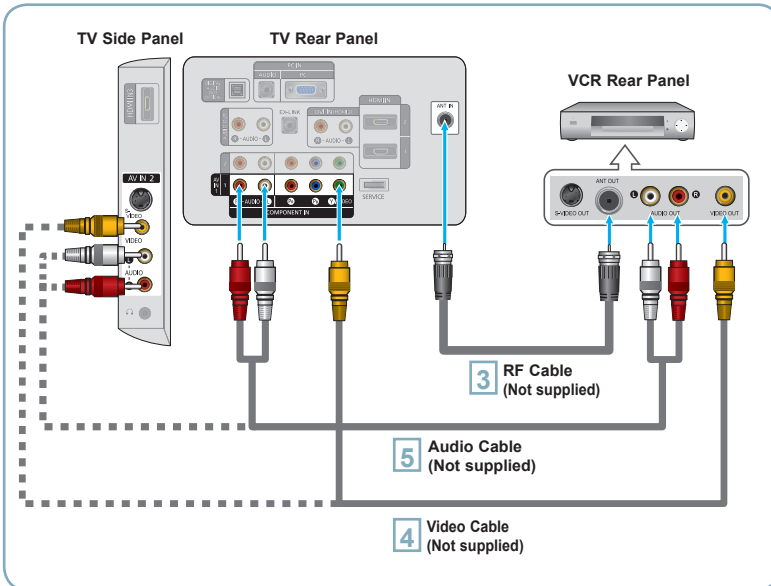
1 Connect a Video Cable (or S-Video Cable) between the AV IN2 [VIDEO] (or S-VIDEO) jack on the TV and the VIDEO OUT jack on the camcorder.

2 Connect Audio Cables between the AV IN2 [R-AUDIO-L] jacks on the TV and the AUDIO OUT jacks on the camcorder.

- Each Camcorder has a different back panel configuration.
- When connecting a Camcorder, match the color of the connection terminal to the cable.

Connecting a VCR

Video Connection

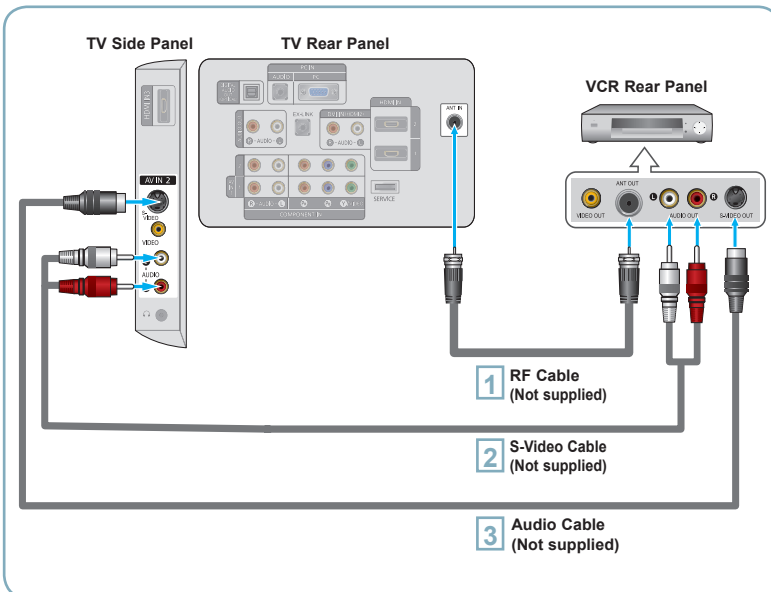


- 1 Unplug the cable or antenna from the back of the TV.
 - 2 Connect the cable or antenna to the ANT IN terminal on the back of the VCR.
 - 3 Connect an RF Cable between the ANT OUT terminal on the VCR and the ANT IN terminal on the TV.
 - 4 Connect a Video Cable between the VIDEO OUT jack on the VCR and the AV IN 1 [Y/VIDEO] or AV IN 2 [VIDEO] jack on the TV.
 - 5 Connect Audio Cables between the AUDIO OUT jacks on the VCR and the AV IN 1 (or AV IN 2) [R-AUDIO-L] jacks on the TV.
- If you have a "mono" (non-stereo) VCR, use a Y-connector (not supplied) to connect to the right and left audio input jacks of the TV. Alternatively, connect the cable to the "R" jack. If your VCR is stereo, you must connect two cables.

Follow the instructions in "Viewing a VCR or Camcorder Tape" to view your VCR tape.

- Each VCR has a different back panel configuration.
- When connecting a VCR, match the color of the connection terminal to the cable.
- When connecting to AV IN 1, the color of the AV IN 1 [Y/VIDEO] jack (Green) does not match the color of the video cable (Yellow).

S-Video Connection

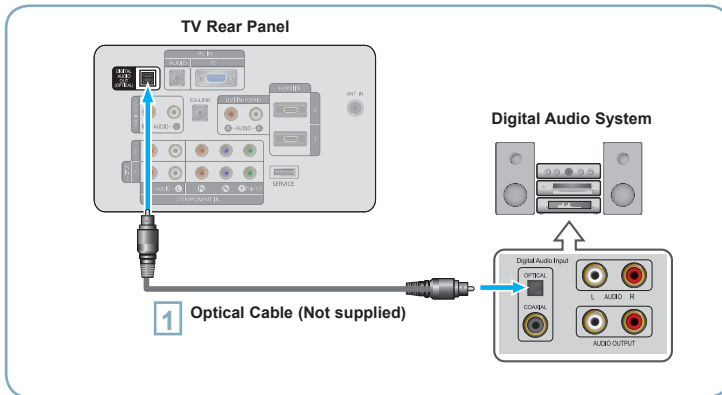


- 1 To begin, follow steps 1–3 in the previous section to connect the antenna or cable to your VCR and your TV.
- 2 Connect an S-Video Cable between the S-VIDEO OUT jack on the VCR and the AV IN 2 [S-VIDEO] jack on the TV.
- 3 Connect Audio Cables between the AUDIO OUT jacks on the VCR and the AV IN 2 [R-AUDIO-L] jacks on the TV.

An S-Video cable may be included with a VCR. (If not, check your local electronics store.)

- Each VCR has a different back panel configuration.
- When connecting a VCR, match the color of the connection terminal to the cable.

Connecting a Digital Audio System



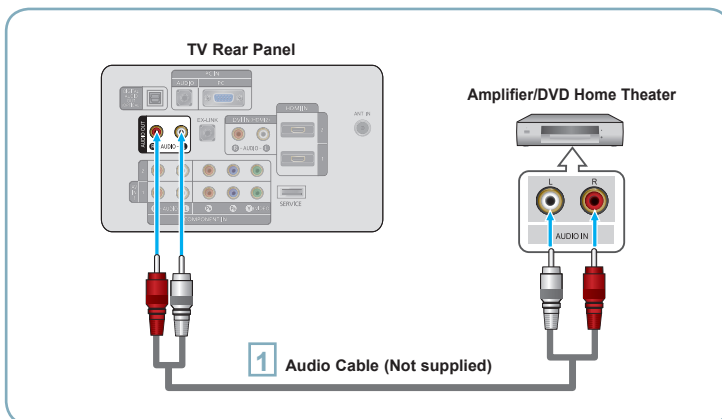
1

Connect an Optical Cable between the “DIGITAL AUDIO OUT (OPTICAL)” jacks on the TV and the Digital Audio Input jacks on the Digital Audio System.

When a Digital Audio System is connected to the “DIGITAL AUDIO OUT (OPTICAL)” jack: Decrease the volume of the TV and adjust the volume level with the system’s volume control.

- 5.1CH audio is possible when the TV is connected to an external device supporting 5.1CH.
- Each Digital Audio System has a different back panel configuration.
- When the receiver (home theater) is set to On, you can hear sound output from the TV’s Optical jack. When the TV is displaying a DTV(air) signal, the TV will send out 5.1 channel sound to the Home theater receiver. When the source is a digital component such as a DVD and is connected to the TV via HDMI, only 2 channel sound will be heard from the Home Theater receiver. If you want to hear 5.1 channel audio, connect the DIGITAL AUDIO OUT (OPTICAL) jack on the DVD player or Cable/Satellite Box directly to an Amplifier or Home Theater, not the TV.

Connecting an Amplifier/DVD Home Theater



1

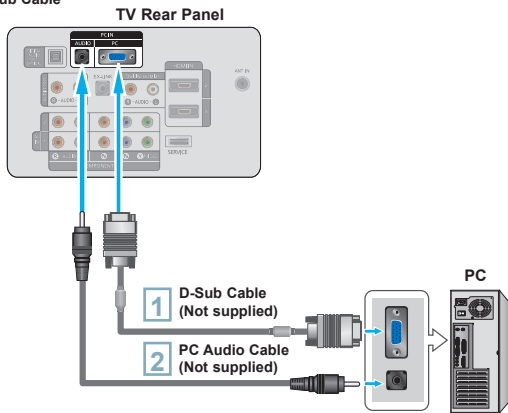
Connect Audio Cables between the AUDIO OUT [R-AUDIO-L] jacks on the TV and AUDIO IN [R-AUDIO-L] jacks on the Amplifier/DVD Home Theater.

When an audio amplifier is connected to the “AUDIO OUT [R-AUDIO-L]” jack: Decrease the volume of the TV and adjust the volume level with the Amplifier’s volume control.

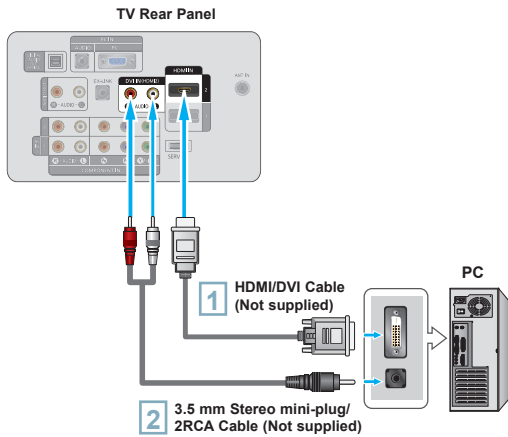
- Each Amplifier/DVD Home Theater has a different back panel configuration.
- When connecting an Amplifier/DVD Home Theater, match the color of the connection terminal to the cable.

Connecting a PC

Using the D-Sub Cable



Using the HDMI/DVI Cable



Using the D-Sub Cable

- 1 Connect a D-Sub Cable between PC IN [PC] connector on the TV and the PC output connector on your computer.
- 2 Connect a PC Audio Cable between the PC IN [AUDIO] jack on the TV and the Audio Out jack of the sound card on your computer.

Using the HDMI/DVI Cable

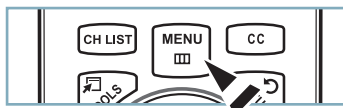
- 1 Connect an HDMI/DVI cable between the HDMI IN 2 jack on the TV and the PC output jack on your computer.
- 2 Connect a 3.5 mm Stereo mini-plug/2RCA Cable between the DVI IN (HDMI2) [R-AUDIO-L] jack on the TV and the Audio Out jack of the sound card on your computer.

- Each PC has a different back panel configuration.
- When connecting a PC, match the color of the connection terminal to the cable.
- When using an HDMI/DVI cable connection, you must use the HDMI IN 2 terminal.

Turning the TV On and Off

Press the **POWER** button on the remote control. You can also use the **POWER** button on the TV.

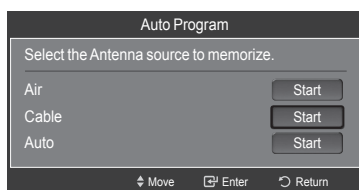
Viewing the Menu



- 1 With the power on, press the **MENU** button. The main menu appears on the screen. The menu's left side has icons: Picture, Sound, Channel, Setup, Input, Application.
- 2 Press the **▲** or **▼** button to select one of the icons. Then press the **ENTER** button to access the icon's sub-menu. Press the **EXIT** button to exit.
 - > The on-screen menus disappear from the screen after about one minute.

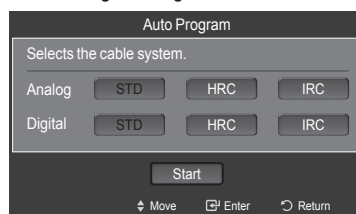
Storing Channels in Memory (Automatic Method)

- 1 Press the **MENU** button to display the menu. Press the **▲** or **▼** button to select "Channel", then press the **ENTER** button.
- 2 Press the **▲** or **▼** button to select "Auto Program", then press the **ENTER** button.
- 3 Press the **▲** or **▼** button to select the antenna connection, then press the **ENTER** button.

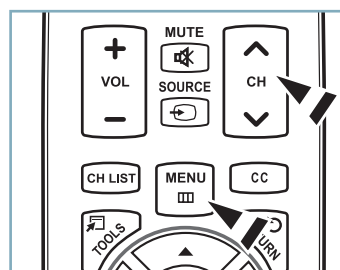
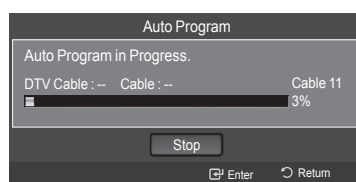


- 4 When selecting the Cable TV system: Press the **ENTER** button to start the auto program.

Press the **▲**, **▼**, **◀** or **▶** to select the correct analog signal cable system source among "STD", "HRC", and "IRC". Press the **▲** or **▼** button to select "Start", then press the **ENTER** button. If you have Digital cable TV, select the cable system signal source for both Analog and Digital.



- 5 The TV begins memorizing all available stations. Press the **EXIT** button to exit.



To Stop the Auto Program Function

Press the **MENU** button while the Auto Program function is being executed. You can also press the **ENTER** button to stop the setup.

Checking to see if Channels were Stored in Memory

Press the **CH** button. Only the channels stored in memory will be selected (in order).

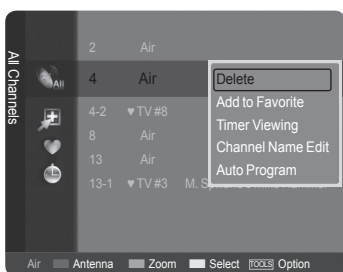
Selecting the antennas

- **Air:** "Air" antenna signal.
- **Cable:** "Cable" antenna signal.
- **Auto:** "Air" and "Cable" antenna signals.

Setting the Channel List

You can delete or add a channel to display the channels you want.

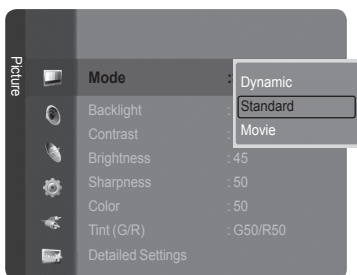
- 1 Press the **MENU** button. Press the **▲** or **▼** button to select "Channel", then press the **ENTER** button. Press the **▲** or **▼** button to select "Channel List", then press the **ENTER** button.
- 2 Press the **◀** button to select "Added Channels". Press the **▲** or **▼** button to select "All Channels". Press the **ENTER** button.
- 3 Press the **▲** or **▼** button to select a channel to delete, then press the **TOOLS** button. Press the **ENTER** button to select "Delete".
- 4 Press the **▲** or **▼** button to select a channel to add, then press the **TOOLS** button. Press the **ENTER** button to select "Add".



Changing the Picture Standard

You can select the type of picture which best corresponds to your viewing requirements.

- 1 Press the **MENU** button to display the menu. Press the **ENTER** button, to select "Picture".
- 2 Press the **ENTER** button to select "Mode". Press the **▲** or **▼** button to select "Dynamic", "Standard" or "Movie". Press the **ENTER** button.



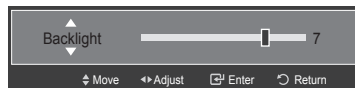
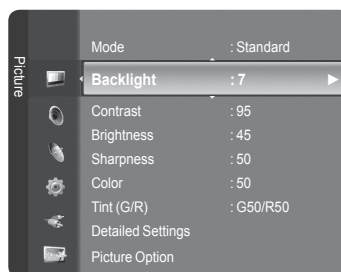
Picture Mode

- **Dynamic:** Selects the picture for high-definition in a bright room.
- **Standard:** Selects the picture for the optimum display in a normal environment.
- **Movie:** Selects the picture for viewing movies in a dark room.

Customizing the Picture Settings

Your television has several setting options that allow you to control the picture quality.

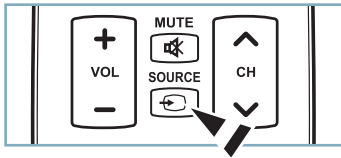
- 1 To select the desired picture mode, follow the "Changing the Picture Standard" instructions numbers 1 and 2.
- 2 Press the **▲** or **▼** button to select "Backlight", "Contrast", "Brightness", "Sharpness", "Color" or "Tint(G/R)", then press the **ENTER** button.
- 3 Press the **◀** or **▶** button to decrease or increase the value of a particular item. Press the **EXIT** button to exit.
 - > When you make changes to "Backlight", "Contrast", "Brightness", "Sharpness", "Color" or "Tint(G/R)", the OSD will be adjusted accordingly.
 - > In PC mode, you can only make changes to "Backlight", "Contrast" and "Brightness".
 - > Settings can be adjusted and stored for each external device you have connected to an input of the TV.



Picture Adjustment

- **Backlight:** Adjusts the brightness of LCD back light.
- **Contrast:** Adjusts the contrast level of the picture.
- **Brightness:** Adjusts the brightness level of the picture.
- **Sharpness:** Adjusts the edge definition of the picture.
- **Color:** Adjusts color saturation of the picture.
- **Tint(G/R):** Adjusts the color tint of the picture.

To Select the Source



Press the SOURCE button on the Remote Control

You can select the TV mode or an input source connected to the TV set. Use this button to choose an input source that you would like to watch.

- Available signal sources: TV, AV1, AV2, S-Video, Component1, Component2, PC, HDMI1, HDMI2/DVI, HDMI3.
- You can choose only those external devices that are connected to the TV. In the "Source List", connected inputs will be highlighted and sorted to the top. Inputs that are not connected will be sorted to the bottom.
- Using the Color buttons on the remote with the Source list
 - Red (Refresh): Refreshes the connecting external devices.
 - TOOLS (Option): Displays the "Edit Name" and "Information" menus.

Troubleshooting

If the TV seems to have a problem, first try this list of possible problems and solutions.

If none of these troubleshooting tips apply, call Samsung customer service at 1-800-SAMSUNG.

Problem	Possible Solution
Poor picture	Try another channel. / Adjust the antenna. / Check all wire connections.
Poor sound quality.	Try another channel. / Adjust the antenna.
No picture or sound.	Try another channel. / Press the SOURCE button. / Make sure the TV is plugged in. / Check the antenna connections.
No sound or sound is too low at maximum volume.	First, check the volume of units connected to your TV (digital broadcasting receiver, DVD, cable broadcasting receiver, VCR, etc.). Then, adjust the TV volume accordingly.
Picture rolls vertically.	Check all wire connections.
The TV operates erratically.	Unplug the TV for 30 seconds, then try operating it again.
The TV won't turn on.	Make sure the wall outlet is working.
Remote control malfunctions	Replace the remote control batteries. Clean the upper edge of the remote control (transmission window). Check the battery terminals.
"Check signal cable" message.	Ensure that the signal cable is firmly connected to the PC source.
"Not Supported Mode" message.	Check the maximum resolution and connected device's Video frequency. Compare these values with the data in the Display Modes.
Digital broadcasting screen problem.	Please check the digital signal strength and input antenna.
The image is too light or too dark.	Adjust the Brightness and Contrast. / Adjust the Fine tuning.
Black bars on the screen.	Make sure the broadcast you're receiving is High Definition (HD). HD channels sometimes broadcast Standard Definition (SD) programming, which can cause black bars. Set your cable/satellite box to stretch or widescreen mode to eliminate the bars.
Picture has a Red/Green or Pink tint.	Make sure the Component cables are connected to the correct jacks.
Closed Captioning not working.	If you are using a Cable/Satellite box, you must set Closed Captioning on the box, not your TV.
Snowy picture.	Your cable box may need a firmware upgrade. Please contact your Cable company.
Ghosting on picture	This is sometimes caused by compatibility issues with your cable box. Try connecting Component cables instead.
Horizontal bars appear to flicker, jitter or shimmer on the image.	Adjust the Coarse tuning and then adjust the Fine tuning.
Vertical bars appear to flicker, jitter or shimmer on the image.	Adjust the Coarse tuning and then adjust the Fine tuning.
Screen is black and power indicator light blinks steadily.	On your computer check: Power, Signal Cable. The TV is using its power management system. Move the computer's mouse or press any key on the keyboard.
Image is not centered on the screen.	Adjust the horizontal and vertical position. The screen position must be adjusted on the output source (i.e. STB) with a digital signal.
The picture appears distorted in the corner of the screen.	If "Just Scan" is selected with some external devices, the picture may appear distorted in the corner of the screen. This symptom is caused by the external devices, not TV.
The "Resets all settings to the default values" message appears.	This appears when you press and hold the EXIT button for a while. The product settings are reset to the factory defaults.

SAMSUNG

Guide d'installation rapide

STOP

Veillez SVP ne pas retourner cet appareil.

En cas de problèmes de fonctionnement, veuillez composer le numéro suivant :

1-800-SAMSUNG (1-800-726-7864)

Pour obtenir de l'assistance en ligne, allez au lien suivant :

www.samsung.com/support

1-800-SAMSUNG (7267864)

Samsung Electronics America, Inc.

105 Challenger Road Ridgefield Park, NJ 07660-0511

Samsung Electronics Canada Inc., Customer Service

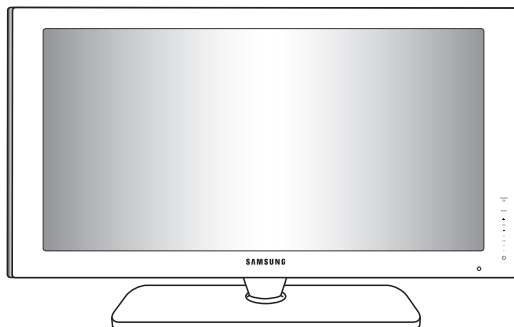
55 Standish Court Mississauga, Ontario L5R 4B2

Centre d'appel – heures de service (du lundi au dimanche, de 9 h à 12 h (HNE))

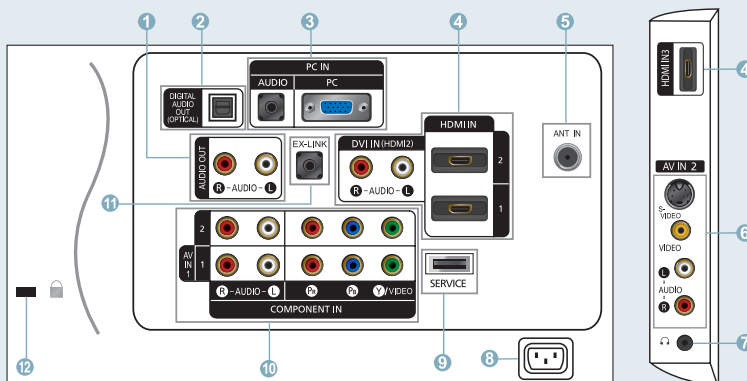
Pour enregistrer ce produit, veuillez SVP aller à :

www.samsung.com/global/register

**LN37A530P1F/LN40A530P1F/
LN46A530P1F/LN52A530P1F**



Panneau arrière / Prises du panneau latéral



- | | | |
|--|------------------------------|---------------------------------------|
| 1 AUDIO OUT | 5 ANT IN | 9 SERVICE |
| 2 DIGITAL AUDIO OUT (OPTICAL) | 6 AV IN 2 / S-VIDEO | 10 COMPONENT IN 1, 2 / AV IN 1 |
| 3 PC IN [PC] / [AUDIO] | 7 ÉCOUTEURS | 11 EX-LINK |
| 4 HDMI IN 1, 2, 3/DVI IN(HDMI2) [R-AUDIO-L] | 8 PUISSANCE CONSOMMÉE | 12 VERROU KENSINGTON |

Entrée vidéo – tableau comparatif des performances






	HDMI/DVI	La meilleure
	PC/COMPONENT	Excellente
	S-VIDÉO	Bonne
	VIDÉO	Normale

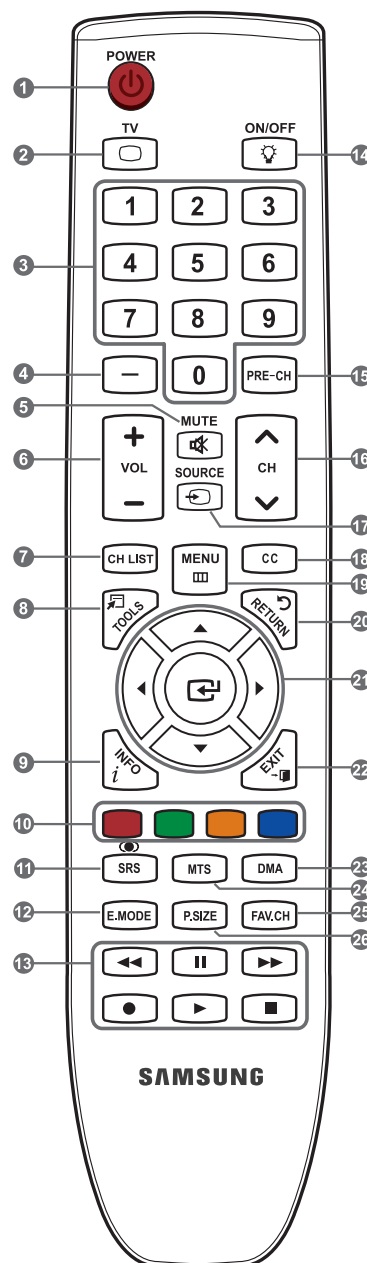
Sortie audio – tableau comparatif des performances

	OPTICAL (numérique)	La meilleure
	AUDIO (analogique)	Normale

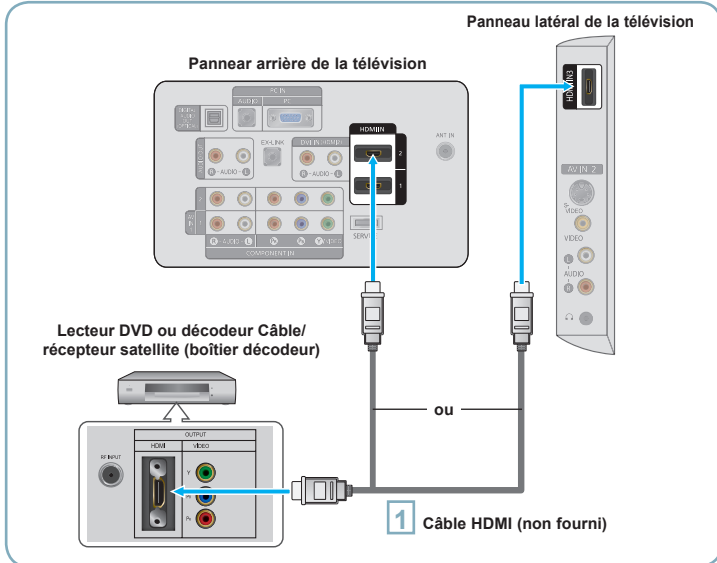
Télécommande

Reportez-vous à la section "Télécommande" du guide de l'utilisateur pour plus de détails.

- 1 **POWER**
Permet d'allumer et d'éteindre le téléviseur.
- 2 **TV**
Pour sélectionner directement le mode TV.
- 3 **BOUTONS NUMÉRIQUES**
Permet de changer de chaîne.
- 4 
Appuyez sur ce bouton pour sélectionner des canaux supplémentaires (numériques et analogiques) diffusés par la même station. Par exemple, pour sélectionner le canal "54-3", appuyez sur "54", puis sur "3", appuyez sur "54", puis sur "3".
- 5  **(MUTE)**
Permet de couper le son temporairement et de le rétablir.
- 6 **VOL - / VOL +**
Appuyer sur ces touches pour augmenter ou diminuer le volume.
- 7 **CH LIST**
Afficher la liste des canaux à l'écran.
- 8 **TOOLS**
Permettent de sélectionner les fonctions fréquemment utilisées.
- 9 **INFO**
Appuyez sur cette touche pour afficher de l'information à l'écran.
- 10 **TOUCHES DE COULEUR**
Utiliser ces touches à partir de la liste des canaux, etc.
- 11 **SRS**
Selects SRS TruSurround XT mode.
- 12 **E.MODE**
Appuyer sur cette touche pour sélectionner l'affichage pré réglé et les modes sonores pour les sports, le cinéma et les jeux.
- 13 Utiliser ces touches pour les modes DMA et Anynet+.
(): Cette télécommande peut servir à commander l'enregistrement sur des enregistreurs Samsung avec la fonction Anynet+.)
- 14  **ON/OFF**
Appuyer sur cette touche pour rétroéclairer les touches de la télécommande. Cette fonction est utile durant la nuit ou lorsque la pièce est sombre. (L'utilisation de la télécommande alors que la touche  **ON/OFF** est réglée à On réduit le temps d'utilisation des piles.)
- 15 **PRE-CH**
Permet d'écouter le canal précédent.
- 16 **CH ∨ / CH ∧**
Permettent de changer de canal.
- 17 **SOURCE**
Appuyer sur cette touche pour afficher et choisir les sources vidéo accessibles.
- 18 **CC**
Permet de commander la fonction de sous-titrage.
- 19 **MENU**
Affiche le menu à l'écran principal.
- 20 **RETURN**
Retourne au menu précédent.
- 21 **HAUT ▲ / BAS ▼ / GAUCHE ◀ / DROITE ▶ / ENTER**
Utiliser pour sélectionner les éléments du menu à l'écran et modifier les valeurs du menu.
- 22 **EXIT**
Appuyer sur cette touche pour sortir du menu.
- 23 **DMA (adaptateur pour les supports numériques)**
Utiliser cette fonction lorsqu'un appareil DMA de SAMSUNG est branché à une interface HDMI ou que le téléviseur est en mode DMA. Pour plus d'information sur les procédures d'utilisation, consulter le guide de l'utilisateur du dispositif DMA. Cette touche est active lorsque le mode "Anynet+(HDMI-CEC)" est activé.
- 24 **MTS**
Appuyez sur ce bouton pour choisir Stéréo, Mono ou Programme audio séparé (Diffusion de programme audio séparé).
- 25 **FAV.CH**
Appuyez sur ce bouton pour naviguer entre vos chaînes favorites.
- 26 **P.SIZE**
Permet de sélectionner la taille d'image.



Connexion d'un lecteur DVD ou d'un décodeur Câble/récepteur satellite (boîtier décodeur) via HDMI



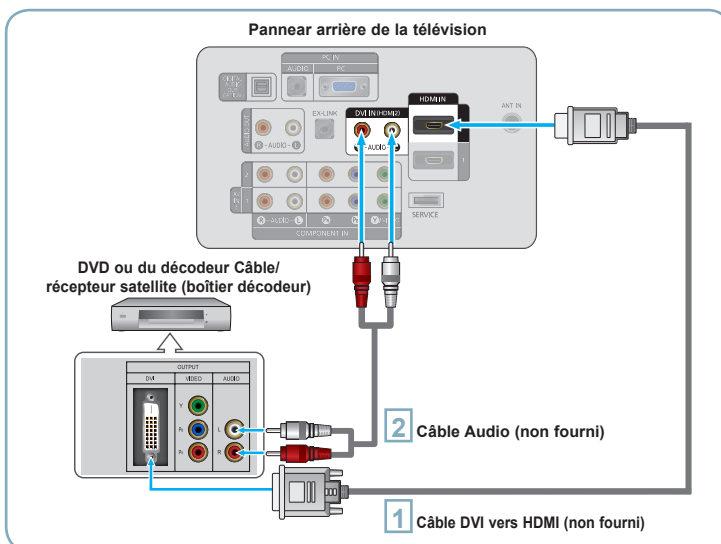
- 1 Branchez un Câble HDMI entre la prise HDMI IN (1, 2 ou 3) du téléviseur et la prise HDMI du lecteur DVD ou du décodeur Câble/récepteur satellite (boîtier décodeur).

Qu'est-ce que le mode HDMI ?

- HDMI ou high-definition multimedia interface (interface multimédia haute définition) est une interface de nouvelle génération qui permet la transmission de signaux numériques audio et vidéo à l'aide d'un simple Câble et sans compression.
- La différence entre les interfaces HDMI et DVI réside dans le fait que la HDMI est de plus petites dimensions, qu'elle est dotée du composant de codage HDCP (protection contre la copie numérique à large bande passante).

- La configuration du panneau arrière de chaque lecteur DVD ou de chaque décodeur Câble/récepteur satellite (boîtier décodeur) diffère.
- Le téléviseur peut n'émettre aucun son et les images peuvent s'afficher avec une couleur anormale lorsque des lecteurs DVD/décodeurs/ récepteurs satellite avec des versions du mode HDMI antérieures à HDMI 1.3 sont branchés. Lorsque vous branchez un Câble HDMI doté d'une version antérieure et qu'aucun son n'est émis, branchez le Câble HDMI à la prise HDMI IN 2 et les câbles audio aux prises DVI IN (HDMI2) [R-AUDIO-L] situées à l'arrière du téléviseur. Dans ce cas, contactez la société qui fournit le lecteur DVD/décodeur Câble/récepteur satellite afin de confirmer votre version HDMI, puis demandez une mise à jour.
- Les câbles HDMI qui ne sont pas de version 1.3 peuvent provoquer des nuisances à l'écran ou une absence d'image.

Connexion d'un lecteur DVD ou d'un décodeur Câble/récepteur satellite (boîtier décodeur) via DVI

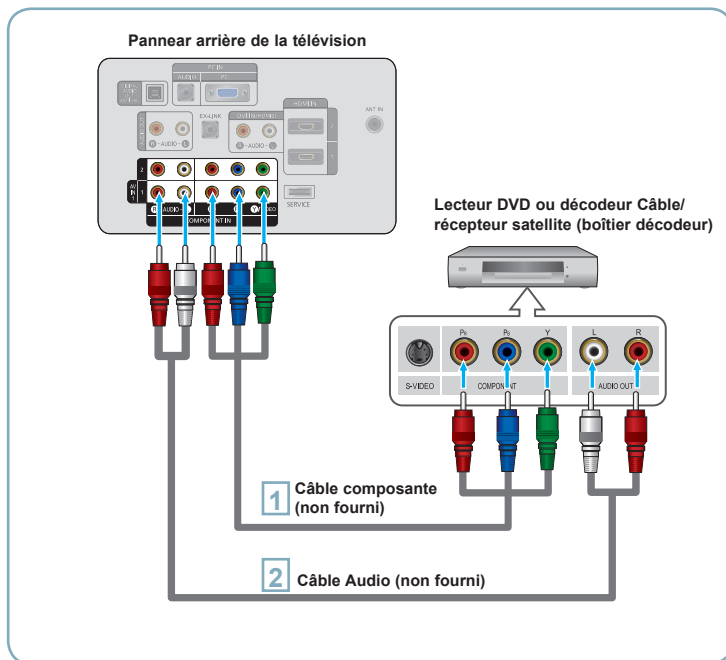


- 1 Branchez un Câble DVI vers HDMI ou un adaptateur DVI-HDMI entre la prise HDMI IN 2 du téléviseur et la prise DVI du lecteur DVD ou du décodeur Câble/récepteur satellite (boîtier décodeur).

- 2 Branchez les câbles audio entre la prise DVI IN (HDMI 2) [R-AUDIO-L] du téléviseur et le lecteur DVD ou le décodeur Câble/récepteur satellite (boîtier décodeur).

- La configuration du panneau arrière de chaque lecteur DVD ou de chaque décodeur Câble/récepteur satellite (boîtier décodeur) diffère.
- Lorsque vous branchez un lecteur DVD ou un décodeur Câble/récepteur satellite (boîtier décodeur), faites correspondre les couleurs de la borne de connexion à celles du Câble.
- La prise d'entrée HDMI IN 2 doit être utilisée pour un branchement de Câble HDMI/DVI.

Branchement d'un lecteur DVD, câblesélecteur ou récepteur satellite à l'aide de câbles composantes

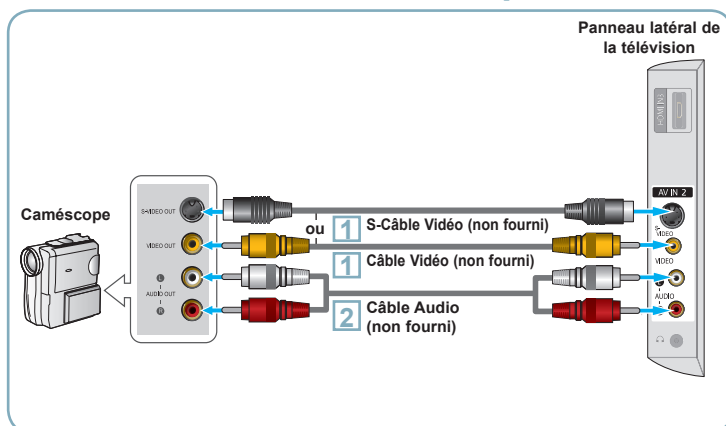


1 Branchez un Câble composante entre les prises COMPONENT IN (1 ou 2) [Y, Pb, Pr] du téléviseur et les prises COMPONENT [Y, Pb, Pr] du lecteur DVD ou du décodeur Câble/récepteur satellite (boîtier décodeur).

2 Branchez les câbles audio entre les prises COMPONENT IN (1 ou 2) [R-AUDIO-L] du téléviseur et les prises AUDIO OUT du lecteur DVD ou du décodeur Câble/récepteur satellite (boîtier décodeur).

- La composante vidéo sépare la vidéo entre Y (Luminosité), Pb (Bleu) et Pr (Rouge) pour une qualité vidéo accrue. Assurez-vous de faire correspondre la composante vidéo et les connexions audio. Par exemple, si un Câble vidéo Composante est branché à la prise d'entrée COMPONENT IN 1, le Câble audio doit être branché à la prise d'entrée COMPONENT IN 1 également.
- La configuration du panneau arrière de chaque lecteur DVD ou de chaque décodeur Câble/récepteur satellite (boîtier décodeur) diffère.
- Lorsque vous branchez un lecteur DVD ou un décodeur Câble/récepteur satellite (boîtier décodeur), faites correspondre les couleurs de la borne de connexion à celles du Câble.

Connexion d'un caméscope



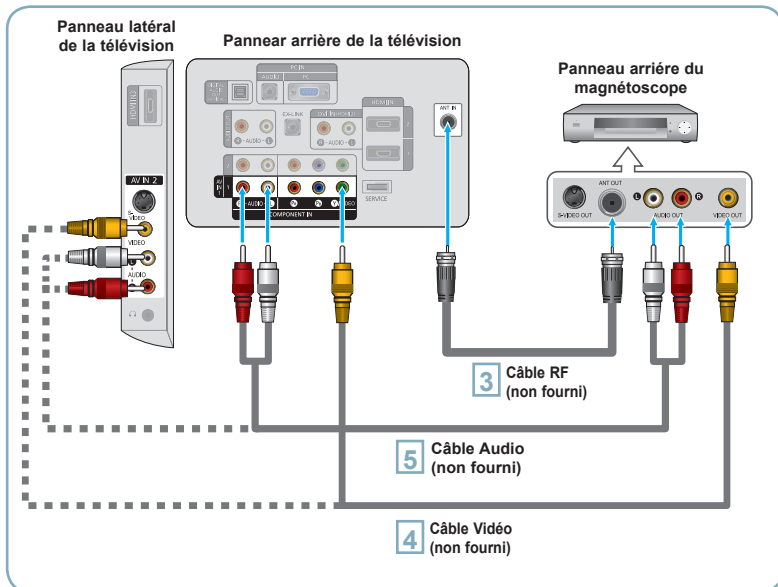
1 Connectez un Câble Vidéo (ou Câble S-Vidéo) entre les prises AV IN2 [VIDEO] (ou S-VIDEO) du téléviseur et les prises AUDIO OUT du caméscope.

2 Connectez un Câble Audio entre les prises AV IN 2 [R-AUDIO-L] du téléviseur et les prises AUDIO OUT du caméscope.

- La configuration arrière de chaque caméscope est différente suivant les appareils.
- Lorsque vous connectez un caméscope, faites correspondre les couleurs de la borne et du Câble.

Branchement d'un magnétoscope

Connexion vidéo



1 Débranchez l'antenne ou le Câble de l'arrière de la télévision.

2 Branchez le Câble ou l'antenne à la prise ANT IN située à l'arrière du magnétoscope.

3 Relier au moyen d'un Câble RF la borne ANT OUT du magnétoscope et la borne ANT IN du téléviseur.

4 Relier au moyen d'un Câble vidéo la prise de sortie vidéo du magnétoscope et la prise AV IN 1 [Y/VIDEO] ou AV IN 2 [VIDEO] du téléviseur.

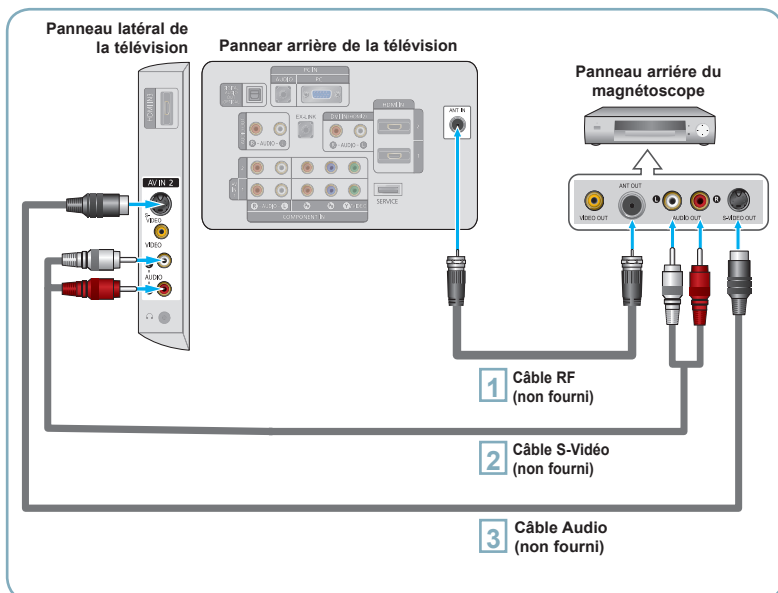
5 Branchez les Câbles Audio entre les prises AUDIO OUT du magnétoscope et les prises AV IN 1 (ou AV IN 2) [R-AUDIO-L] de la télévision.

- Si le magnétoscope est un modèle "mono" (non stéréo), relier les prises d'entrée audio droite et gauche du téléviseur au moyen d'un connecteur en Y (non fourni). Il est également possible de brancher le câble à la prise "R". Si le magnétoscope fonctionne en stéréo, deux câbles distincts doivent être branchés.

Suivez les instructions de "Visualisation d'une cassette à l'aide d'un magnétoscope ou d'un caméscope" pour visualiser une cassette à l'aide de votre magnétoscope.

- La configuration arrière de chaque magnétoscope est différente suivant les appareils.
- Lorsque vous connectez un magnétoscope, faites correspondre les couleurs de la borne et du Câble.
- La couleur de la prise d'entrée AV IN 1 [Y/VIDÉO] (vert) ne correspond pas à la couleur du Câble vidéo (jaune).

Connexion S-Vidéo



1 Tout d'abord, suivez les étapes 1 à 3 de la section précédente pour brancher l'antenne ou le Câble à votre magnétoscope et à votre télévision.

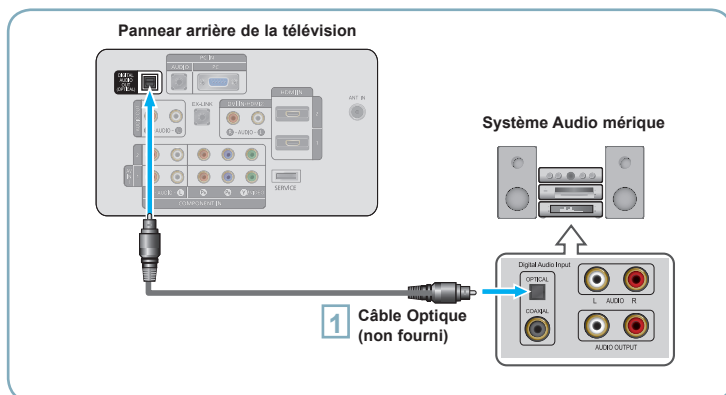
2 Branchez les Câbles Audio entre les prises AUDIO OUT du magnétoscope et les prises AV IN 2 [R-AUDIO-L] de la télévision.

3 Branchez les Câbles Audio entre les prises AUDIO OUT du magnétoscope et les prises AV IN 2 [R-AUDIO-L] de la télévision.

Votre magnétoscope peut avoir une prise S-Vidéo. (Sinon, se procurer les câbles requis dans une boutique d'électronique.)

- Chaque magnétoscope possède une configuration de panneau arrière différente.
- Lors du branchement d'un magnétoscope, les couleurs du Câble et de la borne de branchement doivent correspondre.

Branchement d'un système audio numérique

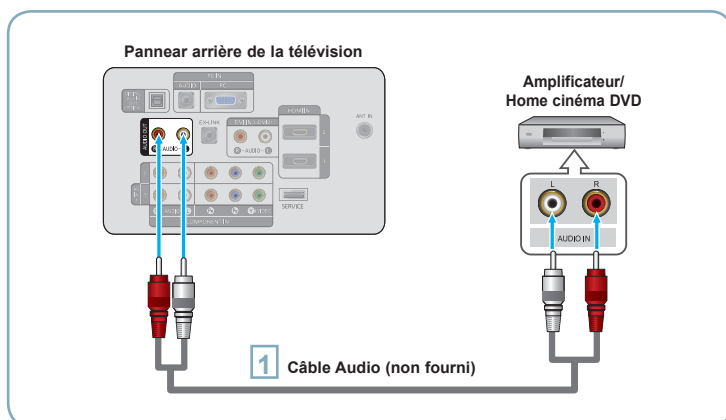


1 Branchez un Câble optique entre les prises "DIGITAL AUDIO OUT (OPTICAL)" (Sortie audio numérique/Optique) du téléviseur et les prises d'entrée numérique du système audio numérique.

Lorsqu'un système audio numérique est connecté à la borne "DIGITAL AUDIO OUT (OPTICAL)" : Baissez le gain (volume) du téléviseur et réglez le volume à l'aide de la commande de volume du système.

- La diffusion audio en 5.1 canaux est possible lorsque le téléviseur est raccordé à un appareil externe doté de cette fonction audio.
- La configuration du panneau arrière de chaque système audio numérique diffère.
- Lorsque le récepteur (chaîne de cinéma maison) est réglé à On, il est possible d'entendre du son provenant de la prise optique du téléviseur. Lorsque le téléviseur émet des signaux numériques (air), il transmet le son en 5.1 canaux au récepteur de la chaîne de cinéma maison. Lorsque la source est un composant numérique, comme un lecteur DVD, et que ce dernier est branché au téléviseur à l'aide d'un Câble HDMI, seul un son deux canaux sera émis par le récepteur de la chaîne de cinéma maison.

Connexion d'un amplificateur/home cinéma DVD



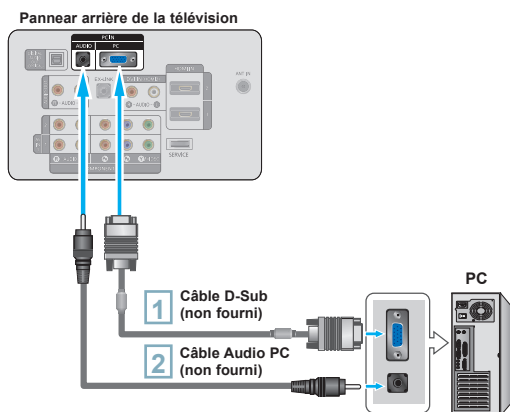
1 Connectez un Câble audio entre les prises AUDIO OUT [R-AUDIO-L] du téléviseur et les prises AUDIO IN [R-AUDIO-L] de l'amplificateur/home cinéma DVD.

Lorsqu'un amplificateur audio est connecté aux bornes "AUDIO OUT [R-AUDIO-L]" : Baissez le gain (volume) du téléviseur et réglez le volume à l'aide de la commande de volume de l'amplificateur.

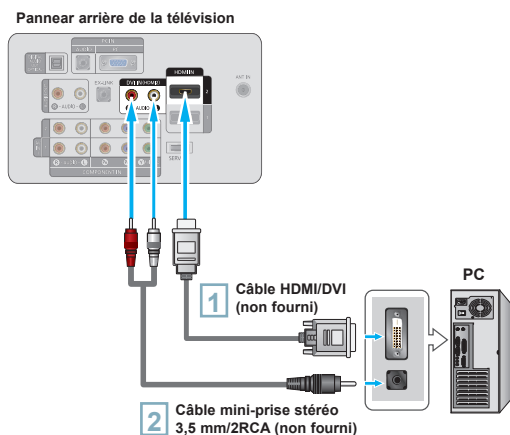
- La configuration arrière de chaque amplificateur/home cinéma DVD est différente suivant les appareils.
- Lorsque vous connectez un amplificateur/home cinéma DVD, faites correspondre les couleurs de la borne et du Câble.

Branchement d'un PC

Utilisation d'un Câble secondaire D



Utilisation d'un Câble HDMI/DVI



Câble HDMI/DVI (non fourni)

- 1 Branchez un Câble secondaire D entre le connecteur PC IN [PC] du téléviseur et le connecteur de sortie PC de votre ordinateur.
- 2 Branchez un Câble audio PC entre la prise PC IN [AUDIO] du téléviseur et la prise Sortie audio de la carte son de votre ordinateur.

Utilisation d'un Câble HDMI/DVI

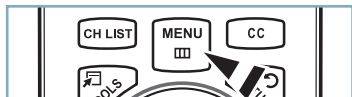
- 1 Connectez le Câble HDMI/DVI à la prise HDMI IN 2 [PC] à l'arrière de votre unité.
- 2 Branchez un Câble mini-prise stéréo 3,5 mm/2RCA entre la prise DVI IN (HDMI2) [R-AUDIO-L] du téléviseur et la prise Sortie audio de la carte son de votre ordinateur.

- La configuration arrière de chaque PC est différente suivant les appareils.
- Lorsque vous connectez un PC, faites correspondre les couleurs de la borne et du Câble.
- La prise d'entrée HDMI IN 2 doit être utilisée pour un branchement de Câble HDMI/DVI.

Mise en marche et arrêt de la télévision

Appuyez sur le bouton **POWER** de la télécommande. Il est aussi possible d'utiliser la touche **POWER** du téléviseur.

Visualisation des menus

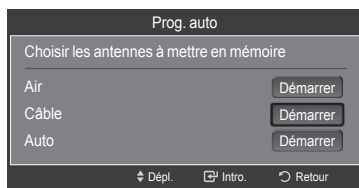


- 1 Une fois l'appareil allumé, appuyez sur le bouton **MENU**. Le menu principal apparaît à l'écran. La partie gauche du menu comprend les icônes suivantes : Image, Son, Chaîne, Configuration, Entrée, Application.
- 2 Appuyer sur la touche **▲** ou **▼** pour sélectionner une des icônes. Puis appuyez sur **ENTER** pour accéder au sous-menu de l'icône. Appuyez sur le bouton **EXIT** pour quitter.

> Les menus affichés à l'écran disparaissent après une minute environ.

Enregistrement des canal dans la mémoire (méthode automatique)

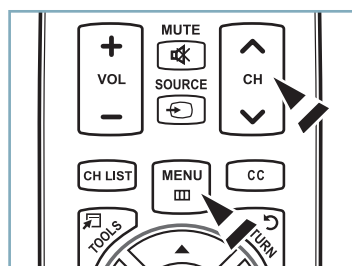
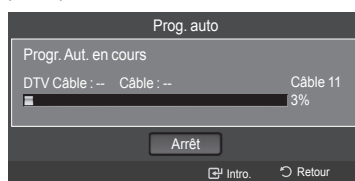
- 1 Appuyez sur le bouton **MENU** pour afficher le menu. Appuyez sur les bouton **▲** ou **▼** pour sélectionner "Chaîne", puis appuyez sur le bouton **ENTER**.
- 2 Appuyez sur les bouton **▲** ou **▼** pour sélectionner "Prog. auto", puis appuyez sur le bouton **ENTER**.
- 3 Utilisez les bouton **▲** ou **▼** pour sélectionner l'antenne souhaitée, puis appuyez sur le bouton **ENTER**.



- 4 Au moment de la sélection du système de télévision par Câble : Appuyez sur **ENTER** pour amorcer la mémorisation automatique. Appuyer sur les touches **▲**, **▼**, **◀** ou **▶** pour choisir la source du signal analogique appropriée "STD", "HRC", ou "IRC". Appuyer sur la touche **▲** ou **▼** pour sélectionner "Démarrer", puis sur **ENTER**. Si le Câble est numérique, sélectionner la source de signal pour une diffusion analogique et numérique.



- 5 Le téléviseur commence alors à mémoriser tous les canaux disponibles. Appuyez sur le bouton **EXIT** pour quitter.



Pour arrêter la fonction de programmation automatique

Appuyez sur la touche **MENU** pendant que la fonction de programmation automatique est en cours d'exécution. Vous pouvez également appuyer sur **ENTER** pour interrompre la configuration.

Pour vérifier si les canaux ont été mémorisés

Appuyez sur la touche **CH**. Seuls les canaux mémorisés seront sélectionnés (dans l'ordre).

Sélection du mode de réception

- **Air**: Signal d'antenne de type "Air".
- **Câble**: signal d'antenne de type "Câble".
- **Auto**: Signaux d'antenne de type "Air" et "Câble".

Réglage de la liste de canaux

Il est possible d'ajouter ou de supprimer un canal pour afficher seulement les canaux désirés.

1 Appuyez sur le bouton **MENU**. Appuyez sur les boutons **▲** ou **▼** pour sélectionner "Chaîne", puis appuyez sur le bouton **ENTER** . Appuyez sur les boutons **▲** ou **▼** pour sélectionner "Liste des canaux", puis appuyez sur le bouton **ENTER** .

2 Appuyez sur la touche **◀** pour sélectionner "Canaux ajoutés". Appuyez sur la touche **▲** ou **▼** pour choisir "Tous les canaux". Appuyez sur la touche **ENTER** .

3 Appuyez sur la touche **▲** ou **▼** pour sélectionner un canal à supprimer, puis sur la touche **TOOLS**. Appuyez sur la touche **ENTER** pour choisir "Supprimer".

4 Appuyez sur la touche **▲** ou **▼** pour sélectionner un canal à supprimer, puis sur la touche **TOOLS**. Appuyez sur la touche **ENTER** pour choisir "Ajouter".



Changement du format normal de l'image

Il est possible de choisir le type d'image qui correspond le plus à ses exigences.

1 Appuyez sur le bouton **MENU** pour afficher le menu. Appuyez sur le bouton **ENTER** pour sélectionner "Image".

2 Appuyez sur le bouton **ENTER** pour sélectionner "Mode". Appuyez sur les boutons **▲** ou **▼** pour sélectionner "Dynamique", "Standard" ou "Film". Appuyez sur le bouton **ENTER** .



Image Mode

- **Dynamique** : choisit l'image pour la haute définition dans une pièce claire.
- **Standard** : choisit la meilleure image possible dans un environnement normal.
- **Film** : choisit une définition d'image pour regarder des films dans une pièce sombre.

Personnalisation des réglages de l'image

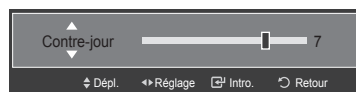
Le téléviseur offre plusieurs options de réglage de la qualité de l'image.

1 Pour sélectionner le mode souhaité, suivre les instructions 1 et 2 de la rubrique 'Changement du format normal de l'image'.

2 Appuyez sur les boutons **▲** ou **▼** pour sélectionner "Contre-jour", "Contraste", "Luminosité", "Netteté", "Couleur" ou "Teinte (V/R)", puis appuyez sur le bouton **ENTER** .

3 Appuyez sur la touche **◀** ou **▶** pour augmenter ou réduire la valeur d'un élément particulier. Appuyez sur le bouton **EXIT** pour quitter.

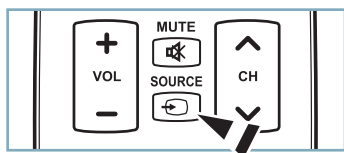
- Après la modification des paramètres "Contre-jour", "Contraste", "Luminosité", "Netteté", "Couleur" et "Teinte (V/R)", l'image est ajustée en conséquence.
- En mode PC, il est possible de modifier uniquement les fonctions "Contre-jour", "Contraste" et "Luminosité".
- Les réglages peuvent être définis et mémorisés pour chacun des appareils externes branchés à une entrée sur le téléviseur.



Réglage de l'image

- **Contre-jour** : règle la brillance du rétroéclairage de l'affichage LCD.
- **Contraste** : règle le niveau de contraste de l'image.
- **Luminosité** : règle le niveau de luminosité de l'image.
- **Netteté** : règle la définition du bord de l'image.
- **Couleur** : règle la saturation des couleurs de l'image.
- **Teinte (V/R)** : règle la teinte de couleur de l'image.

Pour sélectionner la source



Appuyez sur la touche SOURCE de la télécommande.

Vous pouvez sélectionner le mode TV ou une source d'entrée branchée au téléviseur. Cette touche permet de choisir la source d'entrée désirée.

- Sources de signal accessibles : TV, AV1, AV2, S-Vidéo, Composante1, Composante2, PC, HDMI1, HDMI2/DVI, HDMI3.
- Vous pouvez sélectionner uniquement les appareils externes déjà branchés sur le téléviseur. Dans la "Liste source", les entrées branchées sont en surbrillance et se trouvent en haut de la liste. Les entrées non branchées figurent au bas de la liste.
- Utilisation des touches de couleur de la télécommande avec la Liste source
 - Rouge (Rafraîchir) : permet de rafraîchir les appareils externes branchés.
 - TOOLS (Option) : affiche les menus "Entrer le nom" et "Information".

Identification des problèmes

Le tableau ci-dessous dresse la liste des problèmes courants et suggère des solutions.

Si aucun de ces conseils ne permet de corriger le problème, communiquer avec le service à la clientèle de Samsung en composant le 1-800-SAMSUNG.

Problème	Solution possible
Image de qualité médiocre.	Essayez une autre canal. / Réglez l'antenne. / Vérifiez tous les branchements.
Son de qualité médiocre.	Essayez une autre canal. / Réglez l'antenne.
Aucune image ou aucun son.	Essayez une autre canal. / Appuyez sur le bouton SOURCE . / Vérifiez que la télévision est branchée. / Vérifiez les branchements de l'antenne.
Il n'y a pas de son ou le son est trop bas alors que le volume est réglé au maximum.	Dans un premier temps, vérifiez le volume pour les éléments branchés sur votre téléviseur (récepteur de diffusion numérique, DTV, DVD, récepteur de diffusion par câble, magnétoscope, etc.). Puis, réglez le volume du téléviseur en conséquence.
L'image roule verticalement.	Vérifiez tous les branchements des câbles.
La télévision fonctionne irrégulièrement.	Débranchez la télévision pendant 30 secondes puis essayez de nouveau.
Le téléviseur ne s'allume pas.	Vérifiez que la prise électrique fonctionne correctement.
Dysfonctionnement de la télécommande.	Remplacez les piles de la télécommande. Nettoyez la partie supérieure de la télécommande (fenêtre de transmission). Vérifiez les bornes de la batterie.
Message 'Vérifier signal câble.'	Assurez-vous que le câble d'interface est solidement branché aux sources PC.
Message 'Mode non disponible'.	Vérifier la résolution maximale et la fréquence vidéo de l'appareil raccordé. Comparez ces valeurs aux données des modes.
Problème d'écran en diffusion numérique.	Vérifiez la puissance du signal numérique et l'entrée de l'antenne.
L'image est trop claire ou trop sombre.	Réglez la luminosité et le contraste. / Utilisez la fonction de réglage fin.
Barres noires à l'écran.	Assurez-vous que votre réception est en haute définition (HD). Les stations des canaux à haute définition émettent parfois en signaux à définition standard (SD), ce qui peut causer la formation de barres noires. Réglez votre câblosélecteur ou récepteur satellite sur le mode Étirer ou format large pour éliminer les barres.
L'image a une teinte rouge/verte ou rose.	Assurez-vous que les câbles pour composants sont branchés aux prises correspondantes.
Le mode Sous-titres ne fonctionne pas.	Si vous utilisez un câblosélecteur ou un récepteur satellite, vous devez régler le mode Sous-titres sur le récepteur et non sur le téléviseur.
Image embrouillée	Le logiciel de votre câblosélecteur a besoin d'une mise à niveau. Communiquez avec votre câblodistributeur.
Images fantômes.	La raison peut être une incompatibilité avec votre câblosélecteur. Pour supprimer ce problème, branchez les câbles pour composants.
Des barres horizontales et clignotent, scintillent ou tremblent sur l'image.	Ajustez la fonction de réglage de base, puis réglez la fonction de réglage fin.
Des barres verticales et clignotent, scintillent ou tremblent sur l'image.	Ajustez la fonction de réglage de base, puis réglez la fonction de réglage fin.
L'écran est noir et l'Indicateur d'alimentation clignote.	A partir de votre ordinateur, vérifiez: l'alimentation, le câble signal. La télévision est en mode gestion d'énergie. Déplacez la souris de l'ordinateur ou appuyez sur n'importe quelle touche du clavier.
L'image n'est pas centrée sur l'écran.	Réglez la position horizontale et verticale. Ne réglez pas la position de l'écran en Signal Numérique.
L'image semble déformée dans un angle de l'écran.	Si la fonction "Numérisation seulement" est sélectionnée avec certains appareils externes, l'image peut sembler déformée dans un angle de l'écran. Ce dommage est causé par les appareils externes et non par le téléviseur.
Le message 'rétablit tous les paramètres aux réglages prédéfinis' s'affiche.	Ce message s'affiche lorsqu'on maintient la touche EXIT enfoncée pendant quelques instants. Les paramètres sont rétablis aux réglages prédéfinis en usine.

***Cette page est laissée
intentionnellement en blanc.***



Contact SAMSUNG WORLDWIDE

If you have any questions or comments relating to Samsung products, please contact the SAMSUNG customer care center.

Comment contacter Samsung dans le monde

Si vous avez des suggestions ou des questions concernant les produits Samsung, veuillez contacter le Service Consommateurs Samsung.

Country	Customer Care Center ☎	Web Site	Address
CANADA	1-800-SAMSUNG(726-7864)	www.samsung.com/ca	Samsung Electronics Canada Inc., Customer Service 55 Standish Court Mississauga, Ontario L5R 4B2 Canada
			Samsung Electronique Canada Inc., Service à la Clientèle 55 Standish Court Mississauga, Ontario L5R 4B2 Canada
U.S.A	1-800-SAMSUNG(726-7864)	www.samsung.com	Samsung Electronics America, Inc. 105 Challenger Road Ridgefield Park, NJ 07660-0511

