

MC17F808KDT

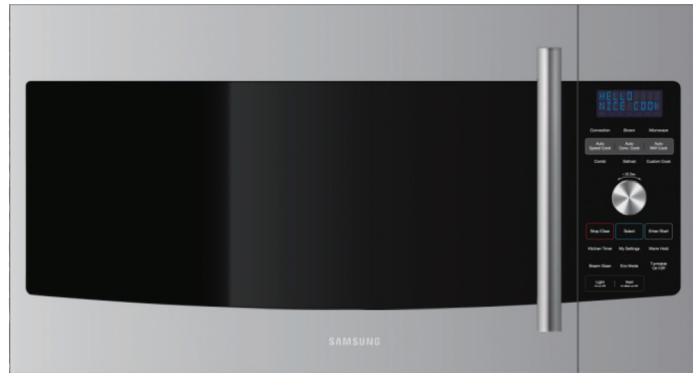
1.7 cu. ft. Over-the-Range Convection Microwave

Features

- 1.7 cu. ft. Oven Capacity
- 950 Watts Microwave Cooking Power
- 1750 W Convection
- 900 W Grill
- Slim Fry
- Simple Clean Filter
- LED Cooktop Light
- Ceramic Enamel Interior
- Steam Clean
- 115 Preset Menu Options
- 300 CFM Ventilation System
- Charcoal/Grease Vent Filter
- 10 Power Levels
- 12 Sensor Cook Options
- Two-Stage Programmable Cooking
- Auto Defrost/Sensor Reheat
- Auto Cook: Kids Meals (4), Snacks (4), Soften/Melt (4), 1 lb. Defrost, Auto Defrost, Custom Cook

Convenience

- Clock (12hr/24hr) with Daylight Savings Time Adjustment
- Kitchen Timer
- End Signal
- Interior Light: Halogen (1)
- LED Cooktop Lighting (2): High/Low/Off
- Vent Fan Control: Turbo/Hi/Low/Off
- Child Safety Lock
- Sound On/Off
- Eco Mode (Reduces Standby Power)



Convection Cooking



LED Cooktop Light

Available Color



Stainless Steel

Signature Features

CONVECTION COOKING

- Everything you need in one powerful appliance: convection oven for even cooking, toaster oven, broiler, microwave oven and range hood.

SLIM FRY

- With breakthrough Slim Fry technology, you can prepare great-tasting and healthier foods without the use of oil. Hot air is circulated in such a way that your favorite foods, like french fries and chicken nuggets, are cooked to crispy perfection in minutes.

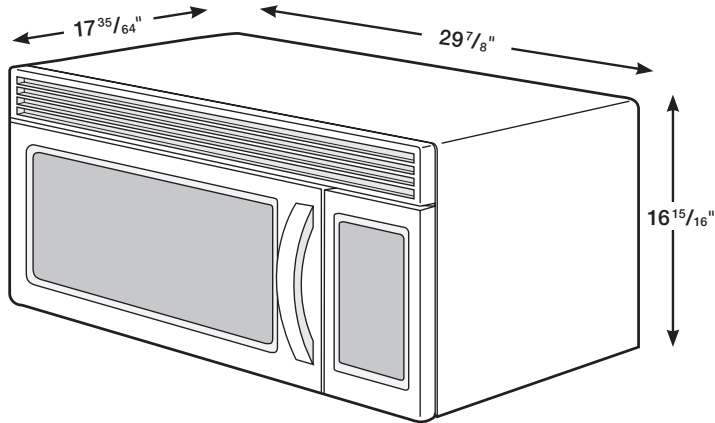
LED COOKTOP LIGHT

- LED lights are significantly brighter than halogen or incandescent bulbs and save more energy. It evenly distributes a soft, bright light across your cooktop.

MC17F808KDT

1.7 cu. ft. Over-the-Range Convection Microwave

Dimensions



Installing your Microwave

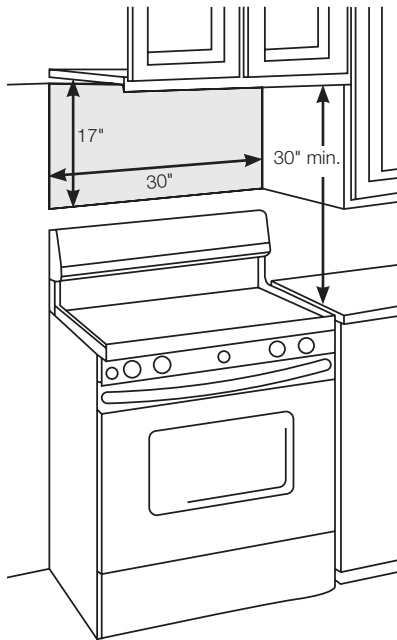
• This microwave oven is designed for adaptation to the following three types of ventilation:

- A. Outside Top Exhaust (Vertical Duct)
- B. Recirculating (Non-Vented Ductless)
- C. Outside Back Exhaust (Horizontal Duct)

• The space between the cabinets must be 30" wide and free of obstructions.

• This microwave oven is for installation over ranges up to 36" wide.

• The Microwave must be level. Use a level to make sure the cabinet bottom is level. If the cabinets have a front overhang only, with no back or side frame, install the mounting plate down the same distance as the front overhang depth. This will keep the microwave level.



FOR EASIER INSTALLATION AND PERSONAL SAFETY, WE RECOMMEND THAT TWO PEOPLE INSTALL THIS MICROWAVE OVEN. IMPORTANT: Do not grip or use handle during installation.

NOTE: If your cabinet is metal, use the nylon grommet around the power cord hole to prevent cutting of the cord.

NOTE: We recommend using filler blocks if the cabinet front hangs below the cabinet bottom shelf.

IMPORTANT: If filler blocks are not used, case damage may occur from over tightening screws.

NOTE: When mounting the microwave oven, thread power cord through hole in bottom of top cabinet. Do not pinch cord or lift oven by pulling cord.

Specifications

- Oven Cavity: 1.7 cu. ft.
- Power Output: 950 W
- Microwave Cooking Power
 - 1750 W Convection
 - 900 W Grilling
- Power Consumption: 1700 W/14.5 A
- Power Source: 120 V/60 Hz
- Control Method: Glass Touch + Knob
- Display: 2 Line VFD
- Cooking Control: 10 Power Levels including Defrost
- Cooking Timer: Digital, up to 99 Minutes, 99 Seconds
- Microwave Distribution System: Stirrer + Turntable
- Glass Turntable Diameter: 13 9/16"
- Vent Fan: 300 CFM
- Vent Fan Control: Turbo/Hi/Low/Off
- LED Cooktop Lighting: High/Low/Off
- Halogen Interior Light

Warranty

One (1) Year All Parts and Labor
Ten (10) Years Parts on Magnetron

Product Dimensions & Weight (WxHxD)

Cavity Dimensions:
20 1/8" x 10 9/32" x 14"

Outside Net Dimensions:
29 7/8" x 16 15/16" x 17 35/64"

Weight: 77 lbs.

Shipping Dimensions & Weight (WxHxD)

Dimensions:
33 3/8" x 19 7/16" x 20 3/16"

Weight: 87 lbs.

Color	Model #	UPC Code
Stainless Steel	MC17F808KDT	887276851952

SAMSUNG

Actual color may vary. Design, specifications, and color availability are subject to change without notice. Non-metric weights and measurements are approximate.

©2013 Samsung Electronics America, Inc. 85 Challenger Road, Ridgefield Park, NJ 07660. Tel: 800-SAMSUNG. samsung.com. Samsung is a registered trademark of Samsung Electronics Co. Ltd.