

ME16K3000AS

1.6 cu. ft. OTR Microwave

Features

- 1.6 cu. ft. Oven Capacity
- 2-Speed/300 CFM Ventilation System
- LED Display
- Cooking Presets
- Eco Mode
- Turntable On/Off

Convenience

- Interior Light: Incandescent (1)
- Cooktop Lighting: High/Low/Off
- Vent Fan Control: On/Off



2-Speed/300 CFM Ventilation System



LED Display

Available Colors



Stainless Steel
(shown)



White



Black

Signature Features

1.6 CU. FT. CAPACITY

- Accommodates a variety of snacks and meals.
- Enough room to accommodate everyday meals.

2-SPEED/300 CFM VENTILATION SYSTEM

- Powerful ventilation system that eliminates steam, fumes, and odor from the kitchen.
- Quiet system clears the air with 300 cubic feet per minute of turbo ventilation.

LED DISPLAY

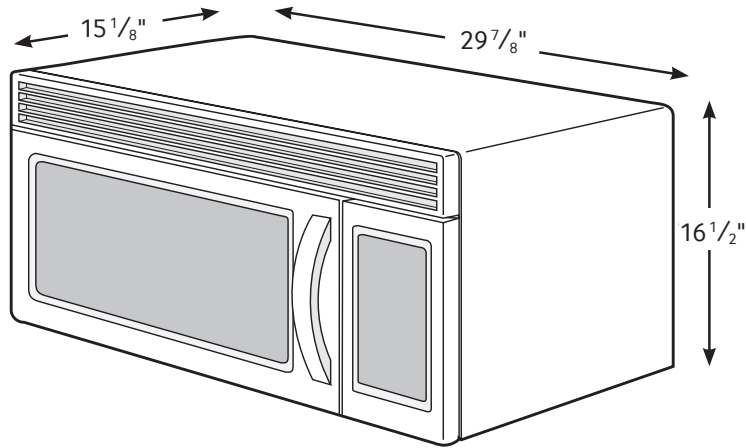
- Striking ice blue LED display provides a stylish accent to enhance any kitchen interior.
- Time and setting are clearly visible for greater cooking convenience.

SAMSUNG

ME16K3000AS

1.6 cu. ft. OTR Microwave

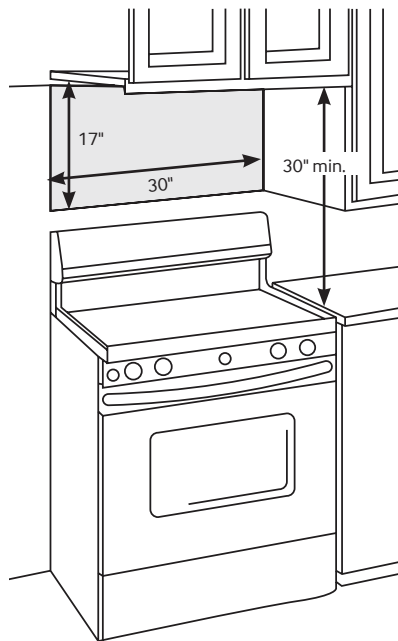
Installing Your Microwave



This microwave oven is designed for adaptation to the following three types of ventilation:

- A. Outside Top Exhaust (Vertical Duct)
- B. Recirculating (Non-Vented Ductless)
- C. Outside Back Exhaust (Horizontal Duct)

- The space between the cabinets must be 30" wide and free of obstructions.
- This microwave oven is for installation over ranges up to 36" wide.
- The microwave must be level. Use a level to make sure the cabinet bottom is level. If the cabinets have a front overhang only, with no back or side frame, install the mounting plate down the same distance as the front overhang depth. This will keep the microwave level.



Specifications

- Oven Cavity: 1.6 cu. ft.
- Power Output: 1000 W
- Power Consumption: 1580 W/13.5 A
- Power Source: 120 V/60 Hz
- Control Method: Digital (Membrane Touch)
- Display: LED
- Cooking Control: 10 Power Levels Including Defrost
- Cooking Timer: Digital, up to 99 Minutes, 99 Seconds
- Microwave Distribution System: Turntable
- Glass Turntable Diameter: 11 8/16"
- Vent Fan: 300 CFM
- Vent Fan Control: On/Off
- Cooktop Lighting: High/Low/Off

Warranty

One (1) Year All Parts and Labor
Ten (10) Years Parts on Magnetron

Product Dimensions & Weight (WxHxD)

Cavity Dimensions:
19 5/16" x 9 5/8" x 14 3/8"

Outside Net Dimensions:
29 7/8" x 16 1/2" x 15 1/8"

Weight: 44.2 lbs. (Stainless)
43.3 lbs. (White, Black)

Shipping Dimensions & Weight (WxHxD)

Dimensions:
33 3/8" x 19 15/16" x 19 7/16"

Weight: 51.8 lbs. (Stainless)
50.8 lbs. (White, Black)

Color	Model #	UPC Code
Stainless Steel	ME16K3000AS	887276120287
White	ME16K3000AW	887276120300
Black	ME16K3000AB	887276120270

FOR EASIER INSTALLATION AND PERSONAL SAFETY, WE RECOMMEND THAT TWO PEOPLE INSTALL THIS MICROWAVE OVEN.

IMPORTANT: Do not grip or use handle during installation.

NOTE: If your cabinet is metal, use the nylon grommet around the power cord hole to prevent cutting of the cord.

NOTE: We recommend using filler blocks if the cabinet front hangs below the cabinet bottom shelf.

IMPORTANT: If filler blocks are not used, case damage may occur from overtightening screws.

NOTE: When mounting the microwave oven, thread power cord through hole in bottom of top cabinet.

Do not pinch cord or lift oven by pulling cord.

SAMSUNG

Actual color may vary. Design, specifications, and color availability are subject to change without notice.
Non-metric weights and measurements are approximate.

©2017 Samsung Electronics America, Inc. 85 Challenger Road, Ridgefield Park, NJ 07660. Tel: 800-SAMSUNG. samsung.com.
Samsung is a registered trademark of Samsung Electronics Co. Ltd.