

# WA422PRHDWR

Samsung Top-Load Washer

## 4.2 cu. ft. Capacity DOE

### Features

- VRT™ – Vibration Reduction Technology
- Diamond Drum™ Design
- PureCycle™ (Tub Clean)
- 9 Preset Wash Cycles
- 6 Options
- Direct Drive Motor
- 800 rpm Maximum Spin Speed
- End-of-Cycle Signal

### Convenience

- Delay Start – Up to 19 Hours
- Automatic Dispensers: Main Wash, Softener, Bleach



ENERGY STAR® rated:  
Rated CEE Tier 3  
MEF = 3.42  
WCF = 3.6  
199 kWh/yr



PureCycle™



4.2 cu. ft. Capacity

### Available Color



White

### Signature Features

#### LARGE CAPACITY

- Our super 4.2 cu. ft. capacity top-load washer easily handles 2.2 laundry baskets full of clothes in a single load.

#### VRT™ TECHNOLOGY

- Special sensors keep your load balanced, so you'll hardly know your washer is on.

#### PURECYCLE™

- Special cleaning cycle that runs hot water (rather than harsh chemicals) through the spinning drum, to remove dirt and detergent residue.



Ranked **"Highest in Customer Satisfaction with Clothes Washers"**  
by J.D. Power and Associates.  
(4 Consecutive Years)

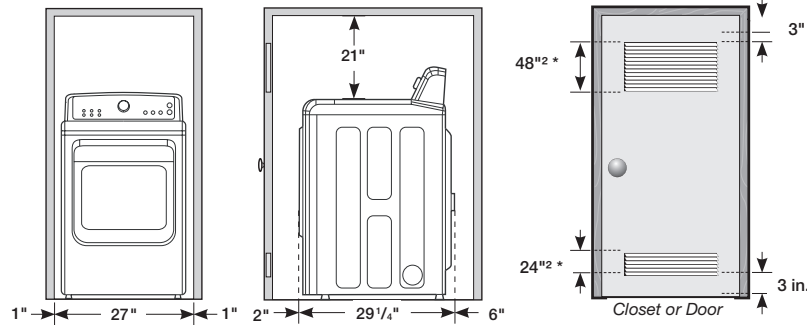
**SAMSUNG**

# WA422PRHDWR

Samsung Top-Load Washer

## Installing Your Washer

Alcove or closet installation



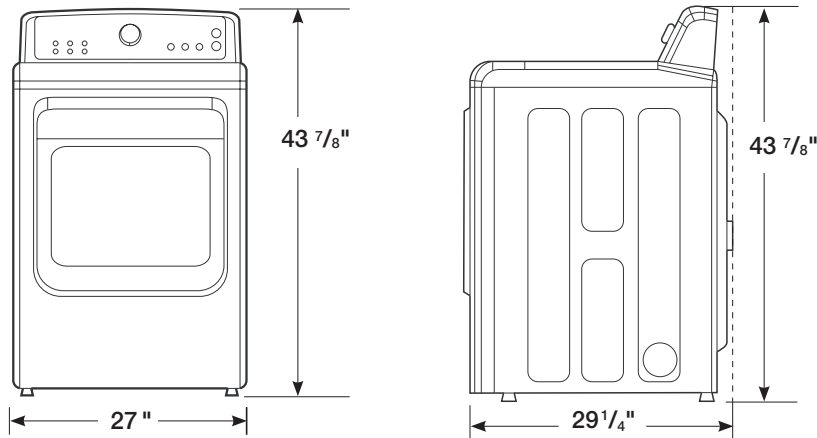
### Minimum clearances for closets and alcove:

Sides - 1"  
Top - 17"  
Rear - 5"  
Closet Front - 2"

If the washer and dryer are installed together, the closet front must have at least a 72 in<sup>2</sup> (465cm<sup>2</sup>) unobstructed air opening. Your washer alone does not require a specific air opening.

\* Required spacing  
\*\* External exhaust elbow requires additional space.

## Dimensions



## 4.2 cu. ft. Capacity DOE

### 9 Preset Wash Cycles:

Normal, Heavy Duty, Permanent Press, Bedding, Delicates/Hand Wash, Quick Wash, PureCycle,<sup>™</sup> Rinse and Spin, Spin Only

### 6 Options:

Delay Start – Up to 19 Hours, My Cycle, Pre Soak, Extra Rinse, Signal On/Off, Child Lock

### 5 Temperature Settings:

Hot, Warm, Eco Warm, Cold, Tap Cold

### 5 Spin Settings:

Extra High, High, Medium, Low, No Spin

### 5 Soil Settings:

Heavy, Heavy Medium, Normal, Low Medium, Light

### 2 Signal Level Settings:

On/Off

## Warranty

One (1) Year Parts and Labor  
Two (2) Years Control Board  
Three (3) Years Stainless Steel Drum  
Ten (10) Years Direct Drive Motor

## Product Dimensions & Weight (WxHxD)

Dimensions: 27" x 43<sup>7/8</sup>" x 29<sup>1/4</sup>"

Weight: 120 lbs

## Shipping Dimensions & Weight (WxHxD)

Dimensions: 29<sup>1/2</sup>" x 46<sup>1/2</sup>" x 31"

Weight: 131.7 lbs

Color	Model #	UPC Code
White	WA422PRHDWR	036725590397

## Matching Dryer (Electric/Gas)

White	DV422EWHDR	036725590403
White	DV422GWHDR	036725590410

**SAMSUNG**

Actual color may vary. Design, specifications, and color availability are subject to change without notice. Non-metric weights and measurements are approximate. Samsung received the highest numerical score for clothes washers (2009-2012) and dryers (2008-2012) in the proprietary J.D. Power and Associates Laundry Appliance Studies. SM 2012 study based on 9,339 total responses measuring 12 brands, and measures opinions of consumers about their washer and dryer obtained new in the past 24 months. Proprietary study results are based on experiences and perceptions of consumers surveyed in January-February 2012. Your experiences may vary. Visit [jdpower.com](http://jdpower.com).

©2013 Samsung Electronics America, Inc. 85 Challenger Road, Ridgefield Park, NJ 07660. Tel: 800-SAMSUNG. [samsung.com](http://samsung.com). Samsung is a registered trademark of Samsung Electronics Co. Ltd.