

WA50K8600AV

Samsung Top-Load Washer

5.0 cu. ft. Capacity DOE

Features

- activewash™
- Integrated Touch Controls
- Super Speed
- VRT™ – Vibration Reduction Technology
- Self Clean
- Smart Care
- Diamond Drum Design
- EZ Drawer Dispenser
- 1100 RPM Maximum Spin Speed
- Stainless Steel Pulsator
- Direct Drive Motor
- 12 Preset Wash Cycles
- 10 Options
- LED Display: Ice Blue
- Door Lid: Transparent Curved Glass

Convenience

- Child Lock
- Delay End
- 5 Temperature Settings
- 5 Spin Settings
- 5 Soil Settings
- Dispenser Trays: Main Wash, Softener, Bleach (Manual)



ENERGY STAR®-rated

CEE Tier 1

IMEF = 2.38



IWF = 3.7

120 kWh/yr



Integrated Touch Controls



activewash™

Available Colors:



Black Stainless Steel
(shown)



White

Signature Features

ACTIVEWASH™

- Includes a built-in sink and water jet for a one-stop solution for stain removal and pre-washing.
- Patented activewash™ allows you to pre-treat your clothes with care.

INTEGRATED TOUCH CONTROLS

- Sleek, contemporary, ergonomic design with digital touchscreen control panel.
- Gives you the perfect blend of form and function with a beautiful design aesthetic.

SUPER SPEED

- Breakthrough technology provides a 40% faster and thorough wash cycle.*
- Wash a full load in only 36 minutes.*

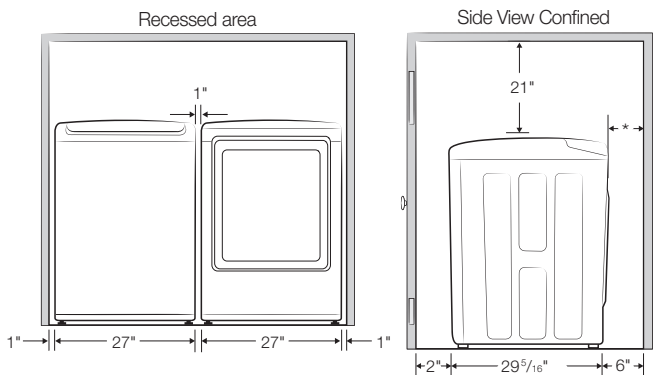
* Normal one-hour wash can now be completed in as little as up to 36 minutes as compared to WF511 washer without SuperSpeed. Based on DOE standard's average of 7.5 loads per week.

SAMSUNG

WA50K8600AV

Samsung Top-Load Washer

Installation Specifications

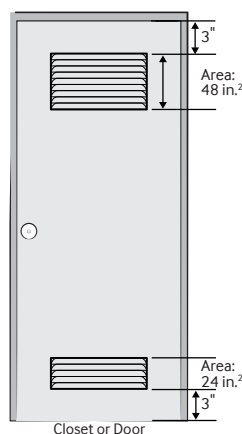


Minimum clearances for closets and alcoves:

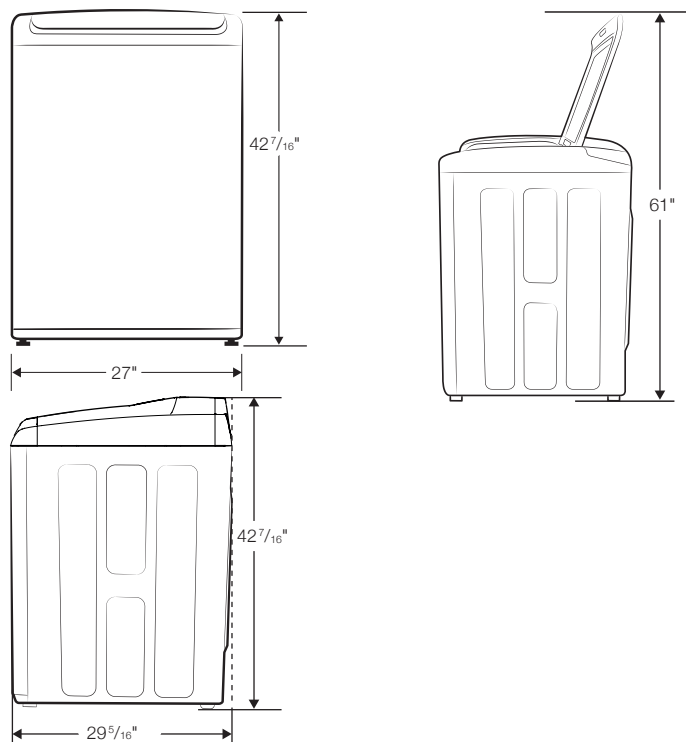
Sides - 1"
Top - 21"
Rear - 6"
Closet Front - 2"

If the washer and dryer are installed together, the closet front must have at least a 72 in.² unobstructed air opening. Your washer alone does not require a specific air opening.

*External exhaust elbow may require additional space.



Dimensions



5.0 cu. ft. Capacity DOE

12 Preset Wash Cycles:

Normal, SuperSpeed, WaterProof, Heavy Duty, Permanent Press, Bedding, Colors/Darks, Brilliant Whites, Delicates/Hand Wash, Quick Wash, Rinse and Spin, Spin Only

10 Options:

Self Clean, Delay End, My Cycle, Pre Soak, Extra Rinse, Sound On/Off, Child Lock, Fabric Softener, Smart Care, Eco Plus

5 Temperature Settings:

Hot, Warm, Eco Warm, Cold, Tap Cold

5 Spin Settings:

Extra High, High, Medium, Low, No Spin

5 Soil Settings:

Heavy, Heavy Medium, Normal, Low Medium, Light

2 Signal Level Settings:

On/Off

Dispenser Trays:

Main Wash, Softener, Bleach (Manual)

Warranty

One (1) Year Parts and Labor
One (1) Year Control Board
Three (3) Years Stainless Steel Drum
Ten (10) Years Direct Drive Motor

Product Dimensions & Weight (WxHxD)

Dimensions: 27" x 42 7/16" x 29 5/16"

Weight: 136.7 lbs

Shipping Dimensions & Weight (WxHxD)

Dimensions: 29 9/16" x 45 5/8" x 31"

Weight: 145.5 lbs

Color	Model #	UPC Code
Black Stainless	WA50K8600AV	887276145969
White	WA50K8600AW	887276126937

Matching Dryer (Electric/Gas)

Black Stainless	DV50K8600EV	887276145938
White	DV50K8600EW	887276132679
Black Stainless	DV50K8600GV	887276145952
White	DV50K8600GW	887276132693

SAMSUNG

Actual color may vary. Design, specifications, and color availability are subject to change without notice. Non-metric weights and measurements are approximate.

©2016 Samsung Electronics America, Inc. 85 Challenger Road, Ridgefield Park, NJ 07660. Tel: 800-SAMSUNG. samsung.com. Samsung is a registered trademark of Samsung Electronics Co. Ltd.