

Danby

Silhouette®

- OWNER'S MANUAL
- GUIDE DU PROPRIÉTAIRE
- MANUAL DEL USUARIO
- RANGE HOOD
- HOTTE DE CUISINE
- CAMPANA DE COCINA

⚠ CAUTION

Read and follow all safety rules and operating instructions before first use of this product.

⚠ PRECAUTION

Veuillez lire attentivement les consignes de sécurité et les instructions d'utilisation avant l'utilisation initiale de ce produit.

⚠ PRECAUCIÓN

Lea y observe todas las reglas de seguridad y las instrucciones de operación antes de usar esto producto por primera vez.

Model • Modèle • Modelo
DURH301SSSL / DURH361SSSL

Model Number: _____

Serial Number: _____

Date of Purchase: _____

Dealer: _____

PLEASE STAPLE YOUR SALES RECEIPT TO THE INSIDE FRONT
COVER

TABLE OF CONTENTS

ENGLISH

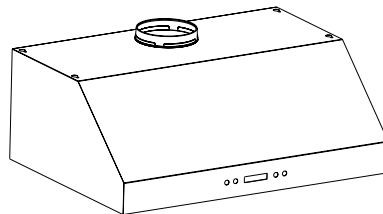
Important Safety Instructions	2
Ducting.....	3
Installation.....	3
Operation	4
Cleaning and Maintenance	5
Lamp replacement	5
Troubleshooting	6
Warranty	7

FRANÇAIS

Consignes importantes relatives à la sécurité	9
Conduits	10
Installation	10
Fonctionnement.....	11
Nettoyage et entretien	12
Remplacement de l'ampoule	12
Dépannage.....	13
Garantie.....	14

ESPAÑOL

Instrucciones de Seguridad Importantes	16
Ubicar el Conducto.....	17
Instalación.....	17
Operación.....	18
Limpieza y Mantenimiento	19
Reemplazar la Bombilla.....	19
Resolución de Problemas	20
Garantía	21



DURH301SSSL / DURH361SSSL

IMPORTANT SAFETY INSTRUCTIONS

READ AND SAVE THESE INSTRUCTIONS

FOR DOMESTIC COOKING ONLY

1. Read all instructions before using the appliance
2. Install or locate this appliance only in accordance with the provided installation instructions.
3. Clean Ranges/Hoods Frequently. Grease should not be allowed to accumulate on the rangehood or filters.
4. Always turn the fan on when flambéing foods on the range.
5. This appliance is suitable for use in combination with both gas and electric cooking equipment
6. Use care when cleaning the rangehood filter. Corrosive cleaning agents, such as lye-based oven cleaners, may damage the filter.

GROUNDING INSTRUCTIONS

- 1) If it is necessary to use an extension cord, use only a 3-wire extension cord that has a 3-blade electrical plug, and a 3-slot power outlet that will accept the plug on the appliance. The marked rating of the extension cord must be equal to or greater than the electrical rating of the appliance. Otherwise,
- 2) Do not use an extension cord. If the power supply cord is too short, have a qualified electrician or serviceperson install a power outlet near the appliance.

WARNING



TO REDUCE THE RISK OF FIRE, ELECTRIC SHOCK, OR INJURY TO PERSONS, OBSERVE THE FOLLOWING:

1. Use this unit only in the manner intended by the manufacturer. If you have questions, contact the manufacturer at the address or telephone number listed in the warranty.
2. Before servicing or cleaning the unit, switch the power off at the service panel. Lock and tag the service panel to prevent power from being switched on accidentally.
3. Installation work and electrical wiring (including switch location) must be done by a qualified person(s) in accordance with all applicable codes and standards.
4. To prevent backdrafting, provide sufficient air for proper combustion and exhausting of gases through the flue (vent) of the fuel burning equipment. Follow combustion equipment standards such as those published by the National Fire Protection Association (NFPA,) the American Society for Heating, Refrigeration and Air Conditioning Engineers (ASHRAE,) and local codes.
5. This product may have sharp edges. Be careful to avoid cuts and abrasions during installation and cleaning.
6. When cutting or drilling into a wall or ceiling, do not damage electrical wiring and other hidden utilities.
7. Ducted fans must always be vented to the outdoors.
8. Use only metal ductwork.
9. As an alternative, this product may be installed following instructions from the designated UL-approved cord kit
10. This unit must be grounded.

TO REDUCE THE RISK OF A RANGE TOP GREASE FIRE:

1. Never leave surface units unattended. Rapid boiling causes smoke and grease spills that may ignite. Heat oils slowly on a low or medium setting.
2. Always turn hood ON when cooking at high heat or when flambéing food.
3. Clean the ventilating fans frequently. Do not allow grease to accumulate on the fan, fan blades and filter.
4. Use the proper pan size. Always use cookware appropriate for the size of the surface element.

WARNING



TO REDUCE THE RISK OF INJURY TO PERSONS IN THE EVENT OF A RANGE TOP GREASE FIRE, OBSERVE THE FOLLOWING:*

1. SMOTHER FLAMES with a close-fitting lid, cookie sheet, or metal tray, then turn off the burner. BE CAREFUL TO AVOID BURNS. If the flames do not go out immediately, EVACUATE THE AREA AND CALL THE FIRE DEPARTMENT.
2. NEVER PICK UP A FLAMING PAN. You may get burned or spread the fire.
3. DO NOT USE WATER, including wet dishclothes or towels; a violent steam explosion could result.
4. Use an extinguisher ONLY if:
 - A. You know you have a Class ABC extinguisher and you already know how to operate it.
 - B. The fire is small and contained in the area where it started.
 - C. The fire department has already been called.
 - D. You can fight the fire with your back to an exit.

*Based on "Kitchen Fire Safety Tips" published by NFPA.

CAUTION



1. For indoor use only.
2. For general ventilating use only. Do not use to exhaust hazardous or explosive materials and vapors.
3. To best capture cooking impurities, the range hood should be mounted so that the bottom of the hood is 26"-34" above the cooking surface.
4. Read the specification label on this product for information and requirements.

NOTE: These instructions are for ducted installations only.

Installer: Leave this manual with the homeowner.

Homeowner: Cleaning, maintenance, and operating instructions begin on page 3.

DUCTING

Determine whether the hood will discharge vertically or horizontally. For vertical or horizontal discharge, run ductwork between the hood location and roof cap or wall cap.

A minimum 6" round duct must be used to maintain maximum airflow efficiency.

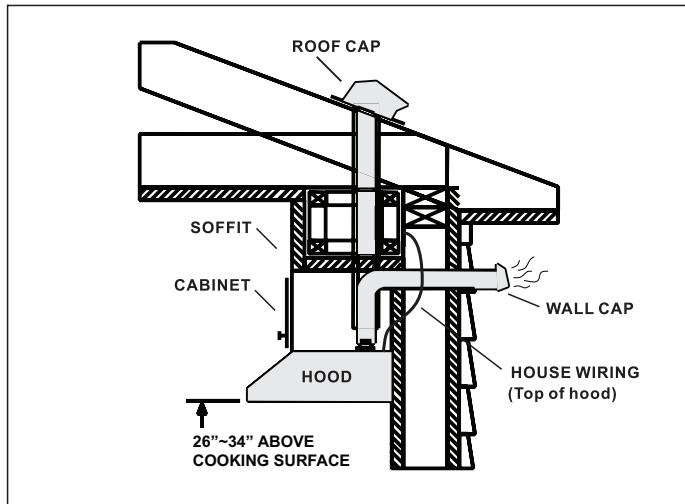
Always use rigid type metal ducts only.

Whenever possible reduce the number of transitions and turns in the ductwork. If a long duct run is required increase the duct size from 6" to 7".

If elbows or bends are required; install as far away from the hood as possible.

Minimum mounting height between the range and the bottom of the hood should be no less than 26".

Maximum mounting height between the range and the bottom of the hood should be no more than 34"

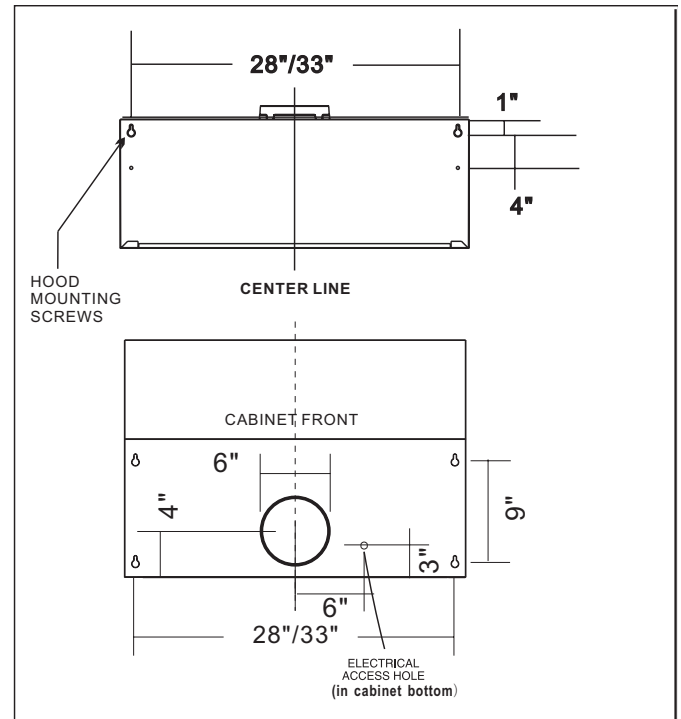


WARNING! FIRE HAZARD



NEVER implement ductwork in a space between walls, crawl spaces, attics or garages. All exhaust must be vented outside. Use metal ductwork only. Fasten all connections with sheet metal screws and certified silver tape or duct tape.

2. Use the following diagram for placement of ductwork and electrical cutout in cabinet. For a non-ducted installation, DO NOT cut a duct access hole.



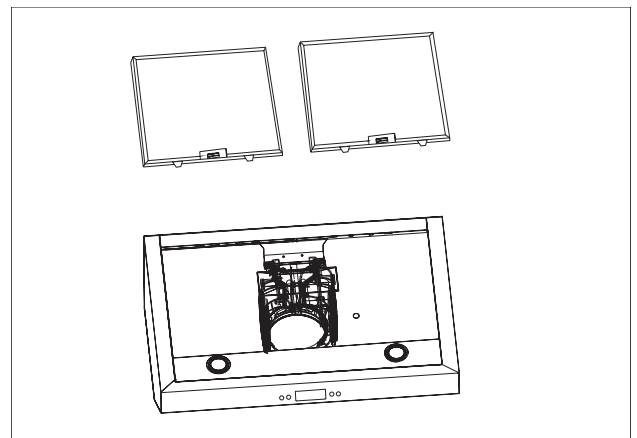
INSTALLATION

WARNING

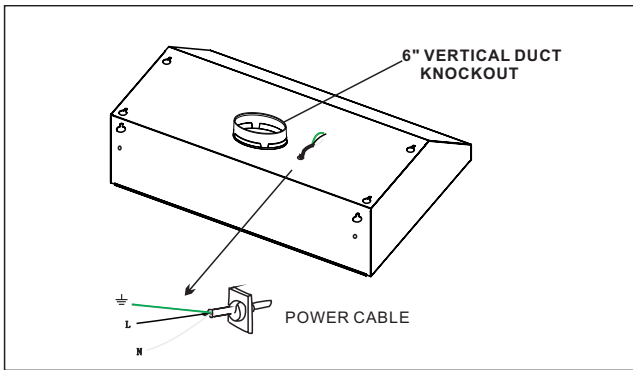


To reduce the risk of electrical shock, switch the power off at the service panel. Lock or tag the service panel to prevent power from being switched on accidentally.

The hood is designed for installation under a kitchen cabinet:



1. Remove the mesh filters from the unit
2. Reinforce cabinet with 1" x 2" wood strips if additional support is required.

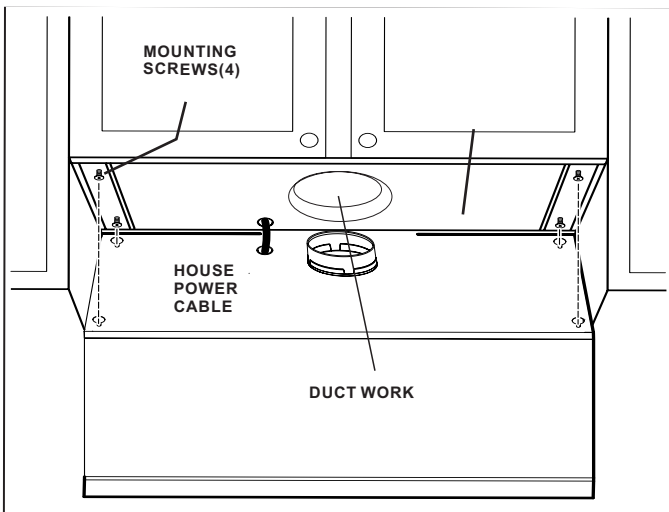


3. Temporarily position the rangehood in its intended place. Using a pencil measure, mark the mounting holes, duct and electrical locations.

4. Drill/cut out the required openings for duct and electrical access; ensure the damper/duct connector enter the ductwork and the damper opens and closes freely

5. Connect the electrical supply wiring (make sure power supply is off)

6. Leave enough space to apply duct tape to the connection



7. Securely fasten the hood to the **cabinet** with the mounting screws

8. Securely fasten the hood to the **wall** with the mounting screws

9. Install the filters

OPERATION

Always turn the hood ON before cooking in order to establish an air flow in the kitchen. After turning off the range, let the hood run for a few minutes to clear the air.



 Power

To activate the rangehood, press the power button. Once activated, the buttons and LED light up.

 Light

The Silhouette Select™ rangehood are equipped with 3 light settings High, Low and Off. Press the light icon once and the 20w halogen bulbs turn on providing full task lighting. Press the icon again and this reduces the illumination to 50%. Press the icon a third time to turn the lights off.

 Filter

After 100 hours, the filter icon lights up and the user must remove the filter, clean it and replace it in order to reset the icon. Press and hold the power button for 3 seconds to reset after cleaning the filter.


 Timer


Silhouette Select™ rangehoods include a convenient feature that allows the range hood to continue to run for an additional 5 minutes to expel residual vapors and odours after cooking. When the timer button is pressed once the current fan speed will continue to run for a duration of 5 minutes and the timer icon appears on the LED display. Push the timer button a second time to cancel the timer and remove the icon from the LED display.

 Fan

Your Silhouette Select™ rangehood offers 3 fans settings low, medium and high. To activate the fan press the fan button and the fan starts at the low setting and the corresponding icon appears on the LED display. Press the fan button again and the blower increases to the medium speed. Press a third time for the highest speed and a fourth time to turn the fan off.

 Icon for low speed

 Icon for medium speed

 Icon for high speed

Heat Sensor:

The hood is equipped with a heat sensing thermostat. If the safety device detects heat in excess of 158°F (70°C) above the cooking surface, it will turn on or speed up the fan. If the fan is not on or running at a low speed, the heat sensor will override the normal fan control and run the fan on high speed. When the temperature level drops below 158°F (70°C) the fan speed will revert back to its original setting.

CLEANING & MAINTENANCE

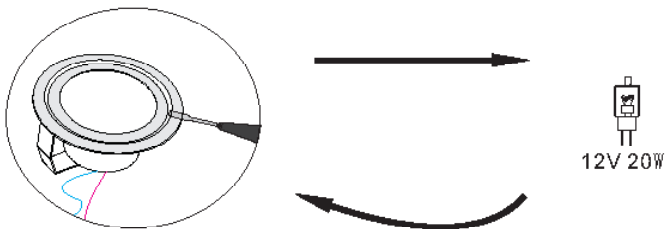
The mesh filters are intended to trap residue and grease from the cooking process. To ensure optimal performance, appearance, and a sanitary cooking environment, clean the filters, fan and grease laden surfaces regularly. Use only a clean cloth and mild detergent solution on stainless steel and painted surfaces. Do not use corrosive or abrasive cleaning agents or steel wool or scouring pads as these will scratch the surface. Do not use cleaning products that use chlorine bleach or orange cleaners.

The grease filters, bottom panel surrounding the grease filters, and the blower should be cleaned frequently. When washing by hand use warm soapy (mild detergent) water. The grease filter and blower wheels are dishwasher safe.

The motor is permanently lubricated and never needs oiling. If the motor bearings make unusual or excessive noise, call for service at 1-800-263-2629.

REPLACING LIGHT BULBS

CAUTION: the light bulbs and glass cover become extremely hot when running. Shut off the lights and allow them to cool prior to changing the bulb. Failing to do so could result in serious burns.



1. Make sure the power is off and the bulbs have cooled.
2. Remove the grease filters.
3. Using a small slot screw driver pop off the glass plate.
4. Remove the burnt out 2-pronged 20 watt Halogen bulb. Replace with a new 20 watt Halogen bulb.
5. Caution: the lights are designed for 20 watt Halogen bulbs only. Replacing with high wattage bulbs can result in damage to the rangehood or fire and not recommended.

TROUBLESHOOTING

Issue	Cause	What to do
After installation, the unit doesn't work.	<ol style="list-style-type: none"> 1. The power source is not turned ON. 2. The power line and the cable locking connector is not connecting properly. 	<ol style="list-style-type: none"> 1. Call for service. 2. Call for service.
Light works, but motor is not turning.	<ol style="list-style-type: none"> 1. The blower is defective, possibly seized. 2. Damaged capacitor. 	<ol style="list-style-type: none"> 1. Call for service. 2. Call for service.
The unit is vibrating.	<ol style="list-style-type: none"> 1. The blower is not secure in place. 2. Damaged blower wheel. 3. The hood is not secured in place. 	<ol style="list-style-type: none"> 1. Tighten the blower in place. 2. Change the blower. 3. Check the installation of the hood.
The motor is working, but the lights are not.	<ol style="list-style-type: none"> 1. Defective halogen bulb. 	<ol style="list-style-type: none"> 1. Change the halogen bulb.
The hood is not venting out properly.	<ol style="list-style-type: none"> 1. The hood might be hanging too high from the cook top. 2. The wind from the opened windows or opened doors in the surrounding area are affecting the ventilation of the hood. 3. Blockage in the duct opening or duct work. 4. The direction of duct opening is against the wind. 5. Using the wrong size of ducting. 	<ol style="list-style-type: none"> 1. Adjust the distance between the range and the bottom of the hood to within 26"~34". 2. Close all windows and doors to eliminate the outside wind flow. 3. Remove all the blocking from the duct work or duct opening. 4. Adjust the duct opening direction. 5. Change the ducting to at least 6" or higher.
Metal filter is vibrating.	<ol style="list-style-type: none"> 1. Spring clip is broken. 2. Metal filter is loose. 	<ol style="list-style-type: none"> 1. Verify spring clip is not broken. 2. Replace the metal filter.

Danby

Silhouette

LIMITED IN-HOME APPLIANCE WARRANTY

This quality product is warranted to be free from manufacturer's defects in material and workmanship, provided that the unit is used under the normal operating conditions intended by the manufacturer.

This warranty is available only to the person to whom the unit was originally sold by Danby Products Limited (Canada) or Danby Products Inc. (U.S.A.) (hereafter "Danby") or by an authorized distributor of Danby, and is non-transferable.

TERMS OF WARRANTY

Consumable parts (ie. light bulbs, filters, glass trays, etc.) are under warranty for thirty (30) days from purchase date, with no extensions provided.

First 24 Months During the first twenty four (24) months, any functional parts of this product found to be defective, will be repaired or replaced, at warrantor's option, at no charge to the ORIGINAL purchaser.

To obtain Service Danby reserves the right to limit the boundaries of "In Home Service" to the proximity of an Authorized Service Depot. Any appliance requiring service outside the limited boundaries of "In Home Service", it will be the consumer's responsibility to transport the appliance (at their own expense) to the original retailer (point of purchase) or a service depot for repair. See "Boundaries of In Home Service" below. Contact your dealer from whom your unit was purchased, or contact your nearest authorized Danby service depot, where service must be performed by a qualified service technician.

If service is performed on the unit by anyone other than an authorized service depot, or the unit is used for commercial application, all obligations of Danby under this warranty shall be void.

Boundaries of In Home Service If the appliance is installed in a location that is 100 kilometers (62 miles) or more from the nearest service center your unit must be delivered to the nearest authorized Danby Service Depot, as service must only be performed by a technician qualified and certified for warranty service by Danby. Transportation charges to and from the service location are not protected by this warranty and are the responsibility of the purchaser.

Nothing within this warranty shall imply that Danby will be responsible or liable for any spoilage or damage to food or other contents of this appliance, whether due to any defect of the appliance, or its use, whether proper or improper.

EXCLUSIONS

Save as herein provided, Danby, there are no other warranties, conditions, representations or guarantees, express or implied, made or intended by Danby or its authorized distributors and all other warranties, conditions, representations or guarantees, including any warranties, conditions, representations or guarantees under any Sale of Goods Act or like legislation or statute is hereby expressly excluded. Save as herein provided, Danby shall not be responsible for any damages to persons or property, including the unit itself, howsoever caused or any consequential damages arising from the malfunction of the unit and by the purchase of the unit, the purchaser does hereby agree to indemnify and hold harmless Danby from any claim for damages to persons or property caused by the unit.

GENERAL PROVISIONS

No warranty or insurance herein contained or set out shall apply when damage or repair is caused by any of the following:

- 1) Power failure.
- 2) Damage in transit or when moving the appliance.
- 3) Improper power supply such as low voltage, defective house wiring or inadequate fuses.
- 4) Accident, alteration, abuse or misuse of the appliance such as inadequate air circulation in the room or abnormal operating conditions (extremely high or low room temperature).
- 5) Use for commercial or industrial purposes (ie. If the appliance is not installed in a domestic residence).
- 6) Fire, water damage, theft, war, riot, hostility, acts of God such as hurricanes, floods etc.
- 7) Service calls resulting in customer education.
- 8) Improper Installation (ie. Building-in of a free standing appliance or using an appliance outdoors that is not approved for outdoor application).

Proof of purchase date will be required for warranty claims; so, please retain bills of sale. In the event warranty service is required, present this document to our AUTHORIZED SERVICE DEPOT.

Warranty Service
In-home

Danby Products Limited
PO Box 1778, Guelph, Ontario, Canada N1H 6Z9
Telephone: (519) 837-0920 FAX: (519) 837-0449

1-800-263-2629

Danby Products Inc.
PO Box 669, Findlay, Ohio, U.S.A. 45840
Telephone: (419) 425-8627 FAX: (419) 425-8629

Numéro de modèle : _____

Numéro de série : _____

Date d'achat : _____

Détaillant : _____

VEUILLEZ AGRAFER VOTRE REÇU DE VENTE À LA
COUVERTURE INTÉRIEURE AVANT.

CONSIGNES IMPORTANTES RELATIVES À LA SÉCURITÉ

LISEZ ET CONSERVEZ CES INSTRUCTIONS



POUR LA CUISSON RÉSIDENIELLE SEULEMENT



1. Veuillez lire toutes les consignes avant d'utiliser l'appareil
2. Installez ou placez cet appareil conformément aux instructions d'installation fournies.
3. Nettoyez souvent les hottes de cuisine. Il ne faut pas laisser la graisse s'accumuler sur la hotte ou les filtres.
4. Mettez toujours le ventilateur en marche lorsque vous faites flamber des aliments sur la cuisinière.
5. Cet appareil peut être utilisé avec de l'équipement de cuisine au gaz ou électrique
6. Soyez prudent lorsque vous nettoyez le filtre de la hotte. Des agents de nettoyage corrosifs, comme des produits à nettoyer les fours à base d'hydroxyde de sodium, peuvent endommager le filtre.

MISE À LA TERRE

- 1) S'il est nécessaire d'utiliser une rallonge, n'utilisez qu'une rallonge à 3 fils munie d'une fiche électrique à 3 lames, et une prise de courant à 3 trous qui acceptera la fiche de l'appareil. La valeur nominale indiquée sur la rallonge doit être égale ou supérieure à la capacité électrique de l'appareil. Sinon,
- 2) N'utilisez pas de rallonge. Si le cordon d'alimentation est trop court, faites installer une prise près de l'appareil par un électricien ou un technicien d'entretien qualifié.

AVERTISSEMENT



POUR RÉDUIRE LE RISQUE D'INCENDIE, DE CHOC ÉLECTRIQUE OU DE BLESSURE, PRENEZ LES PRÉCAUTIONS SUIVANTES :

1. Utilisez cet appareil uniquement aux fins pour lesquelles il a été conçu par le fabricant. Si vous avez des questions, communiquez avec le fabricant à l'adresse ou au numéro de téléphone qui figure sur la garantie.
2. Avant de procéder à l'entretien ou au nettoyage de l'appareil, coupez l'électricité au panneau de service. Dérouillez et étiquetez le panneau de service afin d'empêcher que l'alimentation soit rallumée accidentellement.
3. L'installation et le câblage électrique (y compris l'emplacement du commutateur) doivent être effectués par des personnes qualifiées, conformément à l'ensemble des codes et des normes applicables.
4. Pour éviter le refoulement de l'air assurez-vous d'avoir suffisamment d'air pour une combustion et une évacuation adéquates des gaz dans le conduit d'air de l'équipement à combustible. Suivez les normes en matière d'équipement à combustible, comme celles publiées par la National Fire Protection Association (NFPA), l'American Society for Heating, Refrigeration and Air Conditioning Engineers (ASHRAE) et les codes locaux.
5. Ce produit peut avoir des bords tranchants. Assurez-vous d'éviter les coupures et les abrasions pendant l'installation et le nettoyage.
6. Lorsque vous découpez ou percez un mur ou un plafond, n'endommagez pas le câblage électrique ou les autres services dissimulés.
7. Les ventilateurs à évacuation doivent toujours évacuer l'air vers l'extérieur
8. Utilisez uniquement des conduits métalliques.
9. Ce produit peut également être installé en suivant les instructions fournies avec la trousse de cordon approuvée par UL.
10. Cet appareil doit être mis à la terre.

POUR RÉDUIRE LE RISQUE D'UN FEU DE GRAISSE SUR LE DESSUS DE LA CUISINIÈRE :

1. Ne laissez jamais les unités de surface sans surveillance. L'ébullition rapide cause de la fumée et des déversements de graisse qui peuvent s'allumer. Faites chauffer les huiles lentement, à température basse ou moyenne.
2. Mettez toujours la hotte en MARCHE lorsque vous cuisinez à température élevée ou que vous flambez des aliments.
3. Nettoyez fréquemment les ventilateurs. Ne laissez pas la graisse s'accumuler sur les ventilateurs, les pales du ventilateur et le filtre.
4. Utilisez toujours un plat de la bonne taille. Utilisez toujours une batterie de cuisine qui convient à la taille de l'élément de surface.

Installateur : veuillez laisser ce manuel au propriétaire.

Propriétaire : les instructions relatives au nettoyage, à l'entretien et au fonctionnement commencent à la page 10.

AVERTISSEMENT



POUR RÉDUIRE LE RISQUE DE BLESSURES EN CAS DE FEU DE GRAISSE DÉCLENCHÉ SUR LE DESSUS DE LA CUISINIÈRE, PRENEZ LES PRÉCAUTIONS SUIVANTES :*

1. ÉTOUFFEZ LES FLAMMES au moyen d'un couvercle bien ajusté, d'une plaque à biscuits ou d'un plateau métallique, puis éteignez le brûleur. SOYEZ PRUDENT AFIN D'ÉVITER LES BRÛLURES. Si les flammes ne s'éteignent pas immédiatement, ÉVACUEZ LES ALENTOURS ET APPELEZ LES POMPIERS.
2. NE JAMAIS PRENDRE UNE POËLE ENFLAMMÉE. Vous pourriez vous brûler ou propager l'incendie.
3. NE PAS UTILISER D'EAU, y compris des serviettes ou des linges à vaisselle mouillés, car une explosion de vapeur violente pourrait s'ensuivre.
4. Utilisez un extincteur SEULEMENT si :
 - A. Vous savez que vous avez un extincteur de classe ABC et vous savez l'utiliser.
 - B. Le feu est petit et ne s'est pas étendu au-delà de l'endroit où il s'est déclenché.
 - C. Vous avez déjà appelé les pompiers.
 - D. Vous pouvez combattre l'incendie alors que vous avez une sortie derrière vous.

*Basé sur « Kitchen Fire Safety Tips », publié par le NFPA.

MISE EN GARDE



1. Pour utilisation à l'intérieur seulement.
2. Pour ventilation générale seulement. Ne pas utiliser pour évacuer des substances et des vapeurs dangereuses ou explosives.
3. Pour capter le mieux possible les impuretés générées lors de la cuisson, la hotte de cuisine doit être installée de façon à ce que le bas soit situé à entre 26 po et 34 po au-dessus de la surface de cuisson.
4. Lisez l'étiquette des caractéristiques qui se trouve sur ce produit pour obtenir des informations et les exigences.

REMARQUE : ces instructions s'appliquent uniquement aux installations à évacuation.

CONDUITS

Déterminez si la hotte sera évacuée verticalement ou horizontalement. Pour une évacuation verticale ou horizontale, faites courir le conduit entre l'emplacement de la hotte et l'évent de toiture ou l'évent mural.

Un conduit rond d'un diamètre minimal de 6 po doit être utilisé pour que la circulation d'air soit la plus efficace possible.

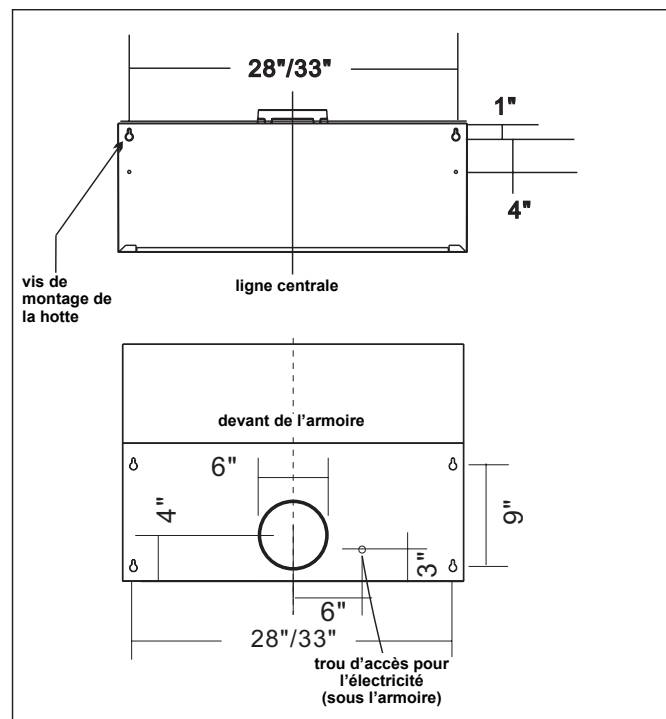
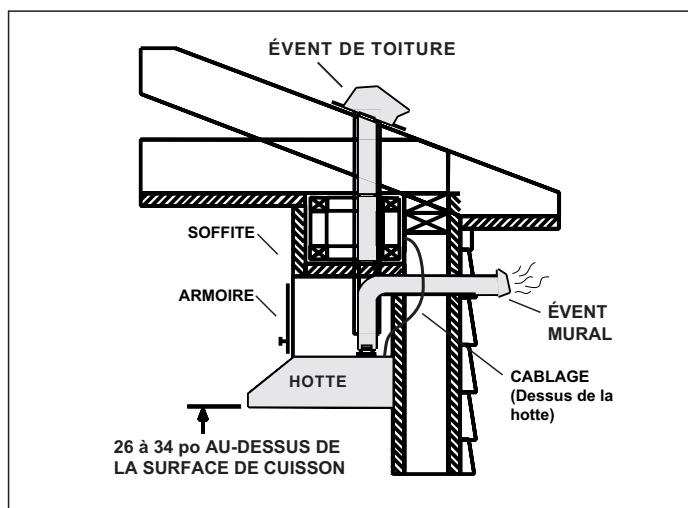
Utilisez toujours des conduits métalliques rigides.

Lorsque c'est possible, réduisez le nombre de transitions et de coudes dans le conduit. Si un long conduit est requis, augmentez le diamètre de 6 po à 7 po.

Si des coudes sont requis, installez-les le plus loin possible de la hotte.

La hauteur d'installation entre la cuisinière et le bas de la hotte doit être d'au moins 26 po.

La hauteur d'installation entre la cuisinière et le bas de la hotte doit être d'au plus 34 po.

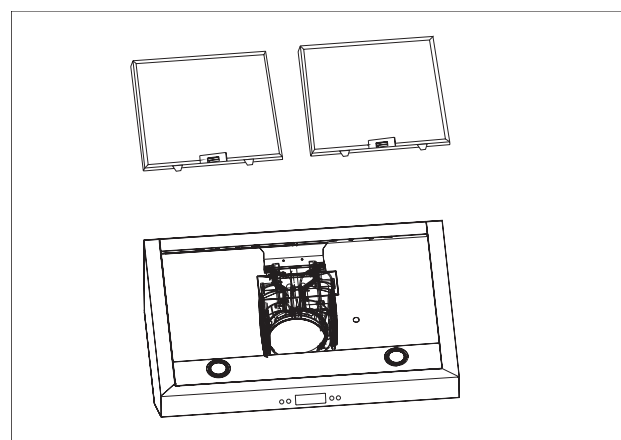


INSTALLATION

AVERTISSEMENT

Pour réduire le risque de choc électrique, coupez l'alimentation au panneau de service. Verrouillez ou étiquetez le panneau de service afin d'empêcher que l'alimentation soit rallumée accidentellement.

La hotte est conçue pour être installée sous une armoire de cuisine :

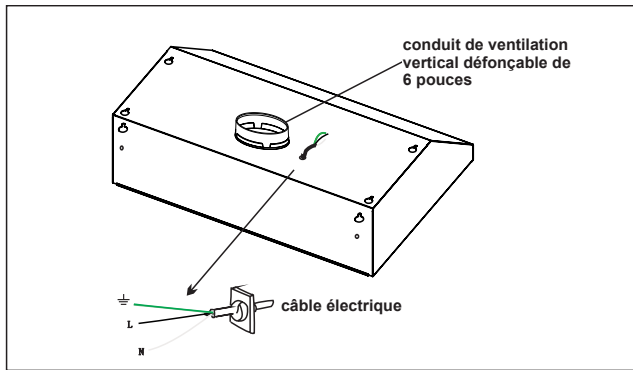


1. Sortez les filtres à tamis de l'appareil.
2. Si un soutien supplémentaire est requis, renforcez l'armoire au moyen de languettes en bois de 1 po × 2 po.

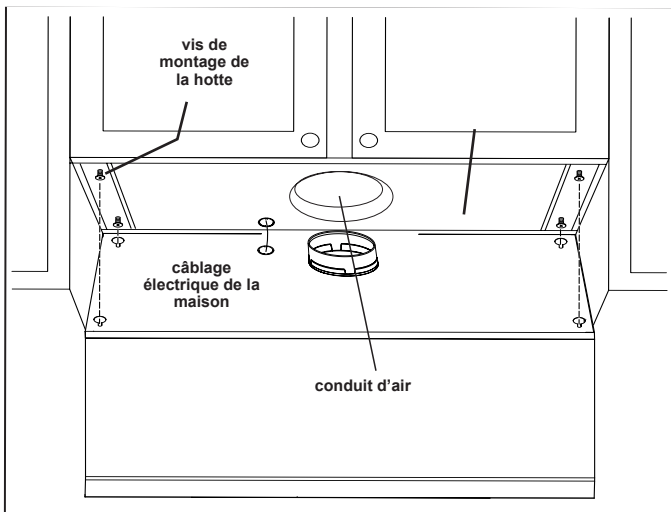
AVERTISSEMENT! RISQUE D'INCENDIE

NE JAMAIS installer des conduits d'air dans un espace situé entre deux murs ou dans un vide sanitaire, un grenier ou un garage. L'air doit toujours être évacué à l'extérieur. Utilisez uniquement des conduits métalliques. Fixez tous les raccords au moyen de vis à tôle et de ruban en argent certifié ou de ruban à conduits.

2. Utilisez le diagramme suivant pour le placement de la découpe pour le conduit et l'accès électrique dans l'armoire. Pour une installation sans évacuation, NE DÉCOUPEZ PAS une ouverture pour le conduit.



3. Positionnez temporairement la hotte de cuisine à l'endroit où vous voulez l'installer. À l'aide d'un crayon, marquez l'emplacement des trois de fixation, du conduit et de l'accès électrique.
4. Percez/découpez les ouvertures pour le conduit et l'accès électrique; assurez-vous que le registre/connecteur du conduit entre dans le conduit d'air et que le registre s'ouvre et se ferme sans obstruction.
5. Branchez le câblage de l'alimentation en électricité (assurez-vous que l'électricité est coupée).
6. Laissez suffisamment d'espace pour appliquer du ruban à conduits autour du raccord.



7. Fixez solidement la hotte à l'**armoire** au moyen des vis de montage.
8. Fixez solidement la hotte au **mur** au moyen des vis de montage.
9. Installez les filtres.

FUNCTIONNEMENT

Mettez toujours la hotte en **MARCHE** avant la cuisson afin de créer une circulation d'air dans la cuisine. Après avoir arrêté la cuisinière, laissez fonctionner la hotte pendant quelques minutes pour nettoyer l'air.



Alimentation

Pour mettre la hotte de cuisine en marche, appuyez sur le bouton de mise en marche. Après la mise en marche, les boutons et les DEL s'allument.

Éclairage

La hotte de cuisine Silhouette Select™ est dotée de trois niveaux d'éclairage : élevé, bas et arrêt. Appuyez une fois sur l'icône de l'éclairage, et les ampoules de 20 W s'allument pour fournir un éclairage de l'aire de travail au niveau élevé. Appuyez une deuxième fois sur l'icône, et l'éclairage est réduit à 50 %. Appuyez une troisième fois sur l'icône pour éteindre l'éclairage.

Filtre

Au bout de 100 heures, l'icône du filtre s'allume et l'utilisateur doit enlever le filtre, le nettoyer et le remettre en place pour réinitialiser l'icône. Appuyez sur le bouton d'alimentation et tenez-le enfoncé pendant 3 secondes pour réinitialiser l'icône après le nettoyage du filtre.

Minuteur

Les hottes de cuisine Silhouette Select™ comprennent une caractéristique commode qui leur permet de fonctionner pendant 5 minutes supplémentaires pour expulser les vapeurs et les odeurs résiduelles après la cuisson. Lorsque l'on appuie une fois sur le bouton du minuteur, le ventilateur continue de fonctionner à sa vitesse actuelle pendant 5 minutes, et l'icône du minuteur apparaît sur l'affichage à DEL. Appuyez une deuxième fois sur le bouton du minuteur pour annuler le minuteur et faire disparaître l'icône de l'affichage à DEL.

Ventilateur

Votre hotte de cuisine Silhouette Select™ est dotée de 3 réglages du ventilateur, soit vitesse basse, moyenne et élevée. Pour mettre le ventilateur en marche, appuyez sur le bouton du ventilateur. Celui-ci démarre à basse vitesse et l'icône correspondante apparaît sur l'affichage à DEL. Appuyez à nouveau sur le bouton pour faire fonctionner le ventilateur de refoulement à vitesse moyenne. Appuyez sur le bouton une troisième fois pour la vitesse élevée, et une quatrième fois pour arrêter le ventilateur.

☼ Icône pour vitesse basse

☼ Icône pour vitesse moyenne

☼ Icône pour vitesse élevée

Sonde de température

Le hotte de cuisinière est équipé avec un Thermostat de détection de chaleur. Ce dispositif de sécurité va allumer ou accélérer le ventilateur s'il détecte la chaleur plus de 158 ° F (70 ° C), au-dessus de la surface de cuisson. Si le ventilateur n'est pas en marche ou fonctionne à une vitesse faible, le capteur de chaleur remplacera le contrôle du ventilateur normale et exécuter le ventilateur à haute vitesse. Lorsque le niveau de température tombe en dessous de 158 ° F (70 ° C) la vitesse du ventilateur reviendra à sa configuration originale.

NETTOYAGE ET ENTRETIEN

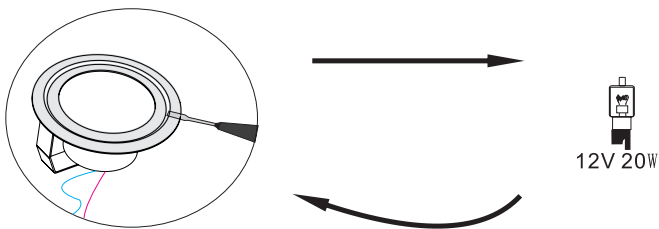
Les filtres à tamis sont conçus pour emprisonner les résidus et la graisse générés lors de la cuisson. Pour assurer un rendement et un aspect optimaux et un environnement de cuisson hygiénique, nettoyez régulièrement les filtres, le ventilateur et les surfaces recouvertes de graisse. Utilisez uniquement un chiffon propre et une solution de détergent doux sur l'acier inoxydable et les surfaces peintes. N'utilisez pas des agents nettoyants corrosifs ou abrasifs, de la laine d'acier ou des tampons à récurer, car cela égratignera la surface. N'utilisez pas des produits de nettoyage contenant un produit à blanchir au chlore ou de l'orange.

Les filtres à graisse, le panneau inférieur qui les entoure et le ventilateur de refoulement doivent être nettoyés fréquemment. Lorsque vous les lavez à la main, utilisez de l'eau chaude savonneuse (détergent doux). Le filtre à graisse et les roulettes du ventilateur de refoulement vont au lave-vaisselle.

Le moteur est lubrifié de façon permanente et n'a jamais besoin d'être graissé. Si les roulements du moteur produisent un bruit inhabituel ou excessif, appelez le service d'entretien au 1-800-263-2629.

REMPACEMENT DES AMPOULES

MISE EN GARDE : les ampoules et le couvercle en verre deviennent extrêmement chauds pendant l'utilisation. Éteignez l'éclairage et laissez refroidir les ampoules avant de les changer. Si vous ne le faites pas, vous pourriez subir des brûlures graves.



1. Assurez-vous que l'alimentation est éteinte et que les ampoules ont refroidi.
2. Enlevez les filtres à graisse.
3. Au moyen d'un petit tournevis à tête plate, enlevez la plaque en verre.
4. Enlevez l'ampoule halogène de 20 watts à 2 broches grillée. Remplacez-la par une nouvelle ampoule halogène de 20 watts.
5. Mise en garde : seules des ampoules halogène de 20 watts peuvent être utilisées. L'utilisation d'ampoules à puissance plus élevée pourrait endommager la hotte de cuisine ou causer un incendie et n'est pas recommandée.

DÉPANNAGE

Problème	Cause	Ce qu'il faut faire
Après l'installation, l'appareil ne fonctionne pas.	<ol style="list-style-type: none"> 1. La source d'alimentation n'est pas EN MARCHÉ. 2. La conduite d'alimentation et le connecteur de blocage du câble ne sont pas connectés correctement. 	<ol style="list-style-type: none"> 1. Appelez pour demander un service d'entretien. 2. Appelez pour demander un service d'entretien.
L'éclairage fonctionne, mais le moteur ne tourne pas.	<ol style="list-style-type: none"> 1. Le ventilateur de refoulement est défectueux; il est possible qu'il soit grippé. 2. Condensateur endommagé. 	<ol style="list-style-type: none"> 1. Appelez pour demander un service d'entretien. 2. Appelez pour demander un service d'entretien.
L'appareil vibre.	<ol style="list-style-type: none"> 1. Le ventilateur de refoulement n'est pas bien fixé en place. 2. La roue du ventilateur de refoulement est endommagée. 3. La hotte n'est pas bien fixée en place. 	<ol style="list-style-type: none"> 1. Serrez le ventilateur de refoulement. 2. Remplacez le ventilateur de refoulement. 3. Vérifiez l'installation de la hotte.
Le moteur fonctionne, mais l'éclairage ne fonctionne pas.	<ol style="list-style-type: none"> 1. Ampoule halogène défectueuse. 	<ol style="list-style-type: none"> 1. Changez l'ampoule halogène.
La hotte n'évacue pas l'air vers l'extérieur correctement.	<ol style="list-style-type: none"> 1. La hotte est peut-être installée à une distance trop grande du dessus de la cuisinière. 2. Les courants d'air provenant des fenêtres ou des portes ouvertes dans les alentours affectent la ventilation de la hotte. 3. Obstruction dans l'ouverture du conduit ou les conduits. 4. L'orientation de l'ouverture du conduit est contre le vent. 5. Le conduit utilisé a les mauvaises dimensions. 	<ol style="list-style-type: none"> 1. Ajustez la distance entre la cuisinière et le bas de la hotte afin qu'elle se situe entre 26 po et 34 po. 2. Fermez toutes les portes et les fenêtres afin d'éliminer les courants d'air provenant de l'extérieur. 3. Enlevez toutes les obstructions des conduits ou de l'ouverture du conduit. 4. Ajustez l'orientation de l'ouverture du conduit. 5. Changez les conduits afin qu'ils mesurent 6 po ou plus.
Le filtre métallique vibre.	<ol style="list-style-type: none"> 1. L'agrafe élastique est cassée. 2. Le filtre métallique a du jeu. 	<ol style="list-style-type: none"> 1. Assurez-vous que l'agrafe élastique n'est pas cassée. 2. Remplacez le filtre métallique.

GARANTIE LIMITÉE SUR APPAREIL ÉLECTROMÉNAGER À DOMICILE

Cet appareil de qualité est garanti exempt de tout vice de matière première et de fabrication, s'il est utilisé dans les conditions normales recommandées par le fabricant.

Cette garantie n'est offerte qu'à l'acheteur initial de l'appareil vendu par Danby Products Limited (Canada) ou Danby Products Inc. (E.-U. d'A) (ci-après "Danby") ou par l'un des ses distributeurs agréés et elle ne peut être transférée.

CONDITIONS

Le consommable sépare (ie. les ampoules légères, les filtres, les plateaux de verre, etc.) sont warrantiés pour trente (30) les jours de la date d'achat, avec aucunes extensions fournies.

Première 24 mois Pendant les vent quatre (24) mois, toutes pièces fonctionnelles de ce produit s'avèrent défectueuses, seront réparées ou remplacées, selon le choix du garant, sans frais à l'acheteur INITIAL.

Pour bénéficié du Service Le client sera responsable pour le transport et tous les frais d'expédition de tout appareil exigeant le service au dépôt de service autorisé le plus proche. S'adresser au détaillant qui a vendu l'appareil, ou à la station technique agréée de service la plus proche, où les réparations doivent être effectuées par un technicien qualifié. Si les réparations sont effectuées par quiconque autre que la station de service agréée où à des fins commerciales, toutes les obligations de Danby en vertu de cette garantie seront annulées.

Limites de l'entretien à domicile Si l'appareil est installé à plus de 100 kilomètres (62 milles) du centre de service le plus proche, il doit être livré à l'atelier de réparation autorisé par Danby le plus proche, car l'entretien doit uniquement être réalisé par un technicien qualifié et certifié pour effectuer un entretien couvert par la garantie de Danby. Les frais de transport entre votre domicile et le lieu de l'entretien ne sont pas couverts par la présente garantie et doivent être acquittés par l'acheteur.

Cette garantie indique en aucun temps la responsabilité de Danby de l'avarie ou dommage de la vin ou autre contenu, soit par les vices de l'appareil, ou soit par l'utilisation convenable ou inexacte.

EXCLUSIONS

En vertu de la présente, il n'existe aucune autre garantie, condition ou représentation, qu'elle soit exprimée ou tacite, de façon manifeste ou intentionnelle, par Danby ou ses distributeurs agréés. De même, sont exclues toutes les autres garanties, conditions ou représentations, y compris les garanties, conditions ou représentations en vertu de toute loi régissant la vente de produits ou de toute autre législation ou règlement semblables.

En vertu de la présente, Danby ne peut être tenue responsable en cas de blessures corporelles ou des dégâts matériels, y compris à l'appareil, quelle qu'en soit les causes. Danby ne peut pas être tenue responsable des dommages indirects dus au fonctionnement défectueux de l'appareil. En achetant l'appareil, l'acheteur accepte de mettre à couvert et de dégager Danby de toute responsabilité en cas de réclamation pour toute blessure corporelle ou tout dégât matériel causé par cet appareil.

CONDITIONS GÉNÉRALES

La garantie ou assurance ci-dessus ne s'applique pas si les dégâts ou réparations sont dus aux cas suivants:

- 1) Panne de courant.
- 2) Dommage subis pendant le transport ou le déplacement de l'appareil.
- 3) Alimentation électrique incorrecte (tension faible, câblage défectueux, fusibles incorrects).
- 4) Accident, modification, emploi abusif ou incorrect de l'appareil tel qu'une circulation d'air inadéquate dans la pièce ou des conditions de fonctionnement anormales (température extrêmement élevée ou basse).
- 5) Utilisation dans un but commercial ou industriel (à savoir, si l'appareil n'est pas installé dans un domicile résidentiel).
- 6) Incendie, dommage causés par l'eau, vol, guerre, émeute, hostilités, cas de force majeure (ouragan, inondation, etc.).
- 7) Visites d'un technicien pour expliquer le fonctionnement de l'appareil au propriétaire.
- 8) Installation inappropriée (par exemple, encastré d'un appareil autoportant, ou utilisation extérieure d'un appareil non conçu à cet effet).

Une preuve d'achat doit être présentée pour toute demande de réparation sous garantie. Prière de garder le reçu. Pour faire honorer la garantie, présenter ce document à la station technique agréée ou s'adresser à:

Service sous-garantie
Service au domicile

Danby Products Limited
PO Box 1778, Guelph, Ontario, Canada N1H 6Z9
Telephone: (519) 837-0920 FAX: (519) 837-0449

1-800-263-2629

Danby Products Inc.
PO Box 669, Findlay, Ohio, U.S.A. 45840
Telephone: (419) 425-8627 FAX: (419) 425-8629

Número de modelo: _____

Número de serie: _____

Fecha de la compra: _____

Distribuidor: _____

ENGRAPE EL RECIBO DE COMPRA AL INTERIOR DE LA
PORTADA

INSTRUCCIONES IMPORTANTES DE SEGURIDAD

LEA Y GUARDE ESTAS INSTRUCCIONES



SOLO PARA USO DOMÉSTICO



1. Lea todas las instrucciones antes de usar este aparato
2. Instalar o ubicar este aparato solamente en acuerdo con las instrucciones de instalación proporcionadas.
3. Limpie los conos extractores frecuentemente. No permita que se acumule grasa en los conos o filtros.
4. Enciende siempre el ventilador cuando flamee comidas en el hornillo.
5. Este aparato es adecuado para usar en combinación con equipo de cocinar de gas y eléctrico.
6. Tenga cuidado limpiar el filtro del cono extractor. Los productos de limpieza corrosivos, tal como limpiahornos a base de lejía, puedan dañar el filtro.

INSTRUCCIONES DE CONEXIÓN A TIERRA

- 1) Si hay que utilizar una extensión eléctrica, utilice una de tres cables, que tiene una clavija de alimentación de 3 dientes, y un tomacorriente de 3 ranuras que puede aceptar la clavija del aparato. La clasificación de la extensión eléctrica tiene que ser igual o mayor que la clasificación eléctrica del aparato. De no ser así,
- 2) No utilice una extensión. Si el cable de alimentación es demasiado corto, un electricista o técnico debe instalar un tomacorriente más cerca al aparato.

ADVERTENCIA



PARA ELIMINAR EL RIESGO DE INCENDIOS, DESCARGAS ELÉCTRICAS O LESIONES, TENGA EN CUENTA LO SIGUIENTE:

1. Use esta unidad sólo en la forma en que fue diseñada por el fabricante. Si tiene preguntas, comuníquese con el fabricante a la dirección o el teléfono que aparecen en la garantía.
2. Antes de hacer reparar la unidad o limpiarla, apague el suministro eléctrico en el panel de servicio. Bloquee y coloque una cinta sobre el panel de servicio para evitar que se encienda en forma accidental.
3. Los trabajos de instalación y de cableado eléctrico (incluida la ubicación del interruptor) debe realizarlos personal especializado, de conformidad con los códigos y normas correspondientes.
4. Para evitar contracorrientes, proporcione suficiente aire para la combustión y la expulsión adecuada de gases a través de la chimenea (ventilación) del equipo de combustión. Siga la normativa para equipos de combustión, tales como las publicadas por la National Fire Protection Association (NFPA), la American Society for Heating, Refrigeration and Air Conditioning Engineers (ASHRAE) y los códigos locales.
5. Este producto puede tener bordes filosos. Evite los cortes y las abrasiones durante la instalación y la limpieza.
6. Cuando corte o haga un orificio en una pared o en el techo, no dañe el cableado y otras instalaciones ocultas.
7. Los ventiladores con conducto siempre deben tener la salida hacia el exterior.
8. Use solo conductos metálicos.
9. Como alternativa, este producto puede instalarse siguiendo las instrucciones del juego designado de cables, aprobado por UL.
10. Esta unidad debe contar con una toma a tierra.

PARA REDUCIR EL RIESGO DE INCENDIOS POR GRASA EN LA PARTE SUPERIOR DE LA COCINA:

1. Nunca deje desatendidos los objetos que se encuentren en la parte superior de la cocina. El hervor rápido produce humo y desbordes de grasa que pueden encenderse. Caliente los aceites lentamente, a temperaturas medias o bajas.
2. Siempre encienda la campana al cocinar a altas temperaturas o cuando flambee alimentos.
3. Limpie los ventiladores con frecuencia. No permita que se acumule grasa en el ventilador, en sus paletas o en el filtro.
4. Use cacerolas del tamaño adecuado. Siempre use los utensilios de cocina adecuados para el tamaño del objeto que se encuentra sobre las hornallas.

ADVERTENCIA



PARA REDUCIR EL RIESGO DE SUFRIR LESIONES EN CASO DE QUE SE PRODUZCA UN INCENDIO POR GRASA EN LA PARTE SUPERIOR DE LA COCINA, TENGA EN CUENTA LO SIGUIENTE:*

1. EXTINGA LAS LLAMAS con una tapa hermética, plancha para galletas o bandeja de metal y luego apague la estufa. TENGA CUIDADO PARA EVITAR QUEMADURAS. Si las llamas no se apagan de inmediato, EVACÚE EL ÁREA Y LLAME A LOS BOMBEROS.
2. NUNCA LEVANTE UNA CACEROLA EN LLAMAS. Puede quemarse o diseminar las llamas.
3. NO USE AGUA, ni paños o toallas mojados, ya que podría producirse una violenta explosión de vapor.
4. Use un extintor de incendios SOLAMENTE si:
 - A. Sabe que cuenta con un extintor Clase ABC y sabe cómo manejarlo.
 - B. El incendio es pequeño y está contenido en el área donde se inició.
 - C. Ya ha llamado a los bomberos.
 - D. Puede combatir el fuego con la espalda hacia una salida.

*De acuerdo con los "Consejos de seguridad para incendios en la cocina", publicados por NFPA.

ADVERTENCIA



1. Solo para uso en interiores.
2. Solo para uso de ventilación general. No la use para expulsar materiales y vapores peligrosos o explosivos.
3. Para capturar mejor las impurezas de la cocción, la campana debe colocarse de manera tal que la parte inferior de ella esté a una distancia de entre 26" y 34" por sobre la superficie de cocción.
4. Lea la etiqueta de especificación que se encuentra en este producto para obtener información y conocer los requisitos.

NOTA: Estas instrucciones son solo para las instalaciones por conductos.

Instalador: Deje este manual con el propietario.

Propietario: Las instrucciones de limpieza, mantenimiento y funcionamiento comienzan en la página 17.

CONDUCTOS

Determine si la campana tendrá un escape horizontal o vertical. Para un escape horizontal o vertical, coloque el conducto entre la ubicación de la campana y la cubierta para pared o techo.

Debe utilizarse un conducto de, como mínimo, 6" de diámetro para mantener un máximo flujo de aire.

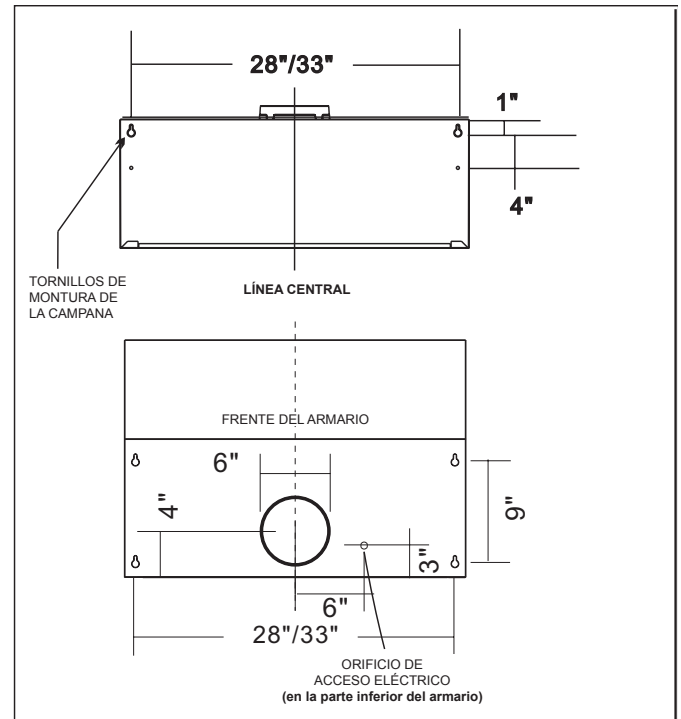
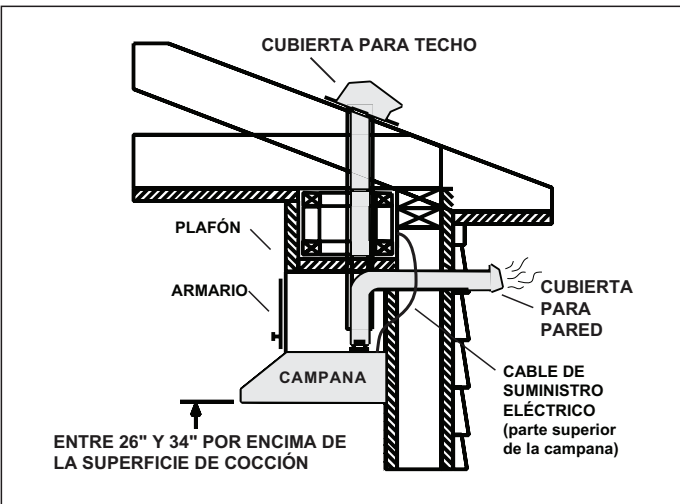
Siempre utilice conductos de metal de tipo rígido.

Cuando sea posible, reduzca el número de transiciones y curvas en el conducto. Si necesita tender un conducto largo, aumente el tamaño del conducto de 6" a 7".

Si se necesitan codos, instálelos lo más lejos posible de la campana.

La altura mínima de fijación entre la cocina y la parte inferior de la campana no debe ser menor que 26".

La altura máxima de fijación entre la cocina y la parte inferior de la campana no debe ser mayor que 34".

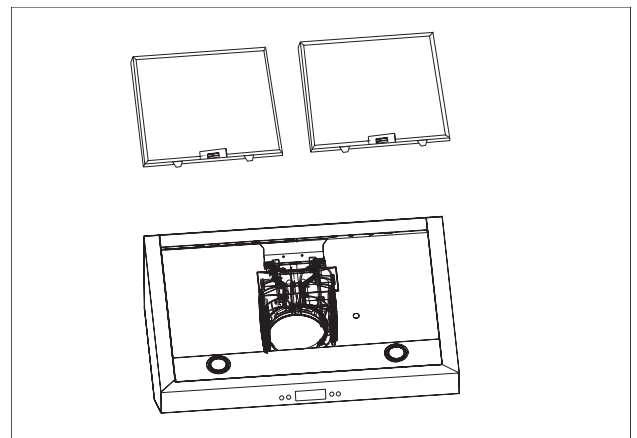


INSTALACIÓN

ADVERTENCIA

Para reducir el riesgo de sufrir descargas eléctricas, apague el suministro eléctrico desde el panel de servicio. Bloquee el panel de servicio o colóquelo una cinta para evitar que se encienda en forma accidental.

La campana de cocina está diseñada para ser instalada debajo de un armario de cocina:

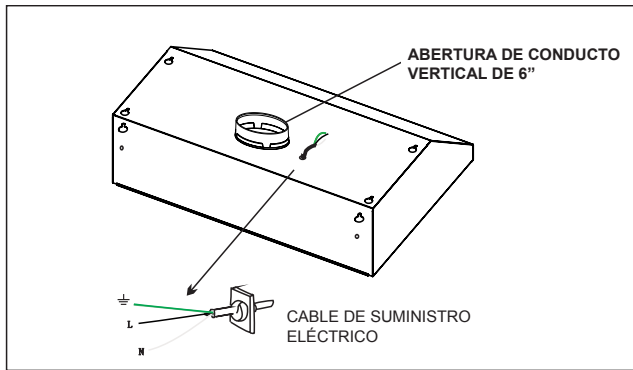


1. Retire los filtros de malla de la unidad
2. Refuerce el armario con tablas de madera de 1" x 2" si se necesita un soporte adicional.

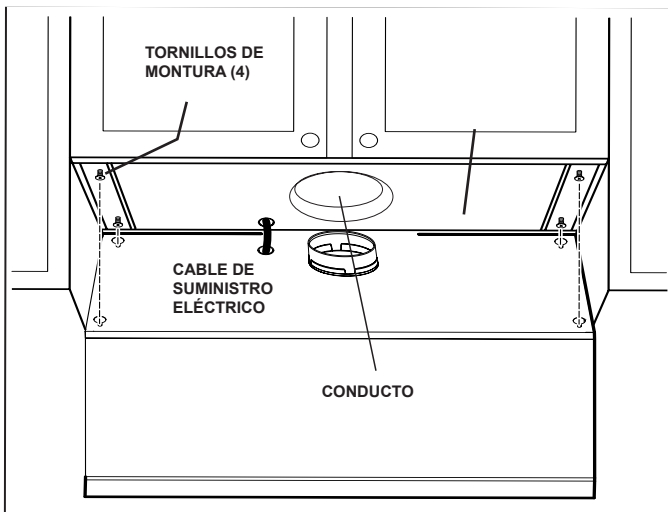
¡ADVERTENCIA! PELIGRO DE INCENDIO

NUNCA use los conductos en un espacio que se encuentre entre paredes, en espacios angostos, áticos o garajes. Los tubos de escape deben tener salida al exterior. Solo use conductos de metal. Ajuste todas las conexiones con tornillos para láminas de metal y cinta plateada o cinta para conductos certificada.

2. Use el siguiente diagrama para la colocación de los conductos y de las aberturas eléctricas en los armarios. Para una instalación no canalizada, NO haga un orificio de acceso para conductos.



3. Coloque la campana de cocina temporalmente en el lugar donde se instalará. Con un lápiz, mida y marque los orificios de montura y la ubicación de los conductos y de las tomas de electricidad.
4. Perfore o corte las aberturas necesarias para el conducto y el acceso eléctrico; asegúrese de que el conector del regulador de tiro/conducto entre en los conductos y que el regulador de tiro se abra y cierre libremente.
5. Conecte el cable de suministro eléctrico (asegúrese de que el suministro eléctrico esté apagado).
6. Deje suficiente espacio para colocar cinta para conductos en la conexión.



7. Fije la campana al **armario** con los tornillos de montura.
8. Fije la campana a la **pared** con los tornillos de montura.
9. Instale los filtros.

OPERACIÓN

Siempre encienda la campana antes de cocinar, para establecer un flujo de aire en la cocina. Después de apagar la cocina, deje que la campana continúe funcionando durante unos minutos para limpiar el aire.



Suministro eléctrico

Para activar la campana de cocina, pulse el botón de encendido. Una vez activada, se encienden los botones y la pantalla de LED.

Luz

La campana de cocina Silhouette Select™ cuenta con 3 configuraciones de luces: alta, baja y apagada. Pulse el ícono de luz una vez y se encenderán las lámparas halógenas de 20 vatios para brindar una iluminación completa. Pulse el ícono nuevamente y la iluminación se reducirá al 50%. Pulse el ícono una tercera vez para apagar las luces.

Filtro

Después de 100 horas, el ícono de filtro se ilumina y el usuario debe retirar el filtro, limpiarlo y volver a colocarlo para poder reestablecer el ícono. Mantenga presionado el botón de encendido durante 3 segundos para reiniciar después de haber limpiado el filtro.

Temporizador

Las campanas de cocina Silhouette Select™ tienen una práctica función que permite que la campana continúe funcionando durante otros 5 minutos para expulsar los vapores y olores residuales después de cocinar. Cuando se pulsa el botón del temporizador una vez, la velocidad actual del ventilador se mantiene durante 5 minutos y aparece el ícono del temporizador en la pantalla de LED. Pulse el botón del temporizador una segunda vez para cancelar el temporizador y eliminar el ícono de la pantalla de LED.

Ventilador

La campana de aire Silhouette Select™ ofrece 3 configuraciones de ventilador: baja, media y alta. Para activar el ventilador, pulse el botón de ventilador y se iniciará en la configuración de velocidad baja, al tiempo que aparecerá el ícono correspondiente en la pantalla de LED. Pulse el botón de ventilador nuevamente y el fuelle aumentará la velocidad al nivel medio. Pulse el botón una tercera vez para lograr la velocidad más alta y, una cuarta vez, para apagar el ventilador.

Ícono de baja velocidad

Ícono de velocidad media

Ícono de alta velocidad

Sensor de temperatura:

El cono es equipado con un termostato que detecta el calor. Este dispositivo de seguridad encenderá o acelerará el ventilador si detecta calor de más de 158°F (70°C) sobre la superficie del hornillo. Si el ventilador está apagado o está operando a velocidad baja, el sensor de temperatura tomará control del ventilador y lo hará operar a alta velocidad. Cuando el nivel de temperatura baja a menos de 158°F (70°C,) la velocidad del ventilador volverá al ajuste original.

LIMPIEZA Y MANTENIMIENTO

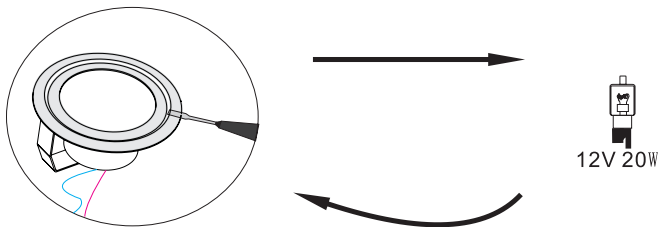
Los filtros de malla están diseñados para atrapar los residuos y la grasa provenientes de la cocción. Para garantizar un rendimiento óptimo, buen aspecto y un entorno de cocción higiénico, limpie periódicamente los filtros, el ventilador y las superficies que tengan grasa. Utilice solamente un paño limpio y una solución con detergente suave sobre las superficies pintadas y las de acero inoxidable. No utilice productos de limpieza abrasivos o corrosivos, ni lana de vidrio o estropajos plásticos, ya que pueden rayar las superficies. No use productos de limpieza que tengan blanqueadores o limpiadores con naranja.

Los filtros de grasa, el panel inferior que rodea estos filtros y el fuelle deben limpiarse frecuentemente. Si los lava a mano, utilice agua jabonosa (detergente suave) tibia. El filtro de grasa y las ruedas del fuelle se pueden lavar en lavavajillas.

El motor tiene lubricación permanente y no necesita aceitarse en ningún momento. Si los rodamientos del motor hacen un ruido extraño o excesivo, llame al servicio técnico, al 1-800-263-2629.

CÓMO CAMBIAR LAS BOMBILLAS

PRECAUCIÓN: Las bombillas y la cubierta de vidrio pueden recalentarse en exceso durante el funcionamiento. Apague las luces y deje que se enfríen antes de cambiar las bombillas. Si no lo hace, podría sufrir quemaduras graves.



1. Asegúrese de que el suministro eléctrico esté apagado y de que las lámparas se hayan enfriado.
2. Retire los filtros de grasa.
3. Con un destornillador plano pequeño, retire la placa de vidrio.
4. Retire la bombilla halógena de 20 vatios de 2 patas que esté quemada. Cámbiela por una nueva bombilla halógena de 20 vatios.
5. Precaución: Las luces están diseñadas para utilizar solamente bombillas halógenas de 20 vatios. No se recomienda usar bombillas de más vatios, ya que pueden dañar la campana o producir incendios.

RESOLUCIÓN DE FALLAS

Problema	Causa	Qué hacer
Después de la instalación, la unidad no funciona.	<ol style="list-style-type: none"> 1. La fuente de suministro eléctrico no está encendida. 2. La línea de suministro eléctrico y el conector del cable no se conectan adecuadamente. 	<ol style="list-style-type: none"> 1. Llame al servicio técnico. 2. Llame al servicio técnico.
La luz funciona, pero el motor no se enciende.	<ol style="list-style-type: none"> 1. El fuelle está defectuoso, posiblemente, atascado. 2. Condensador dañado. 	<ol style="list-style-type: none"> 1. Llame al servicio técnico. 2. Llame al servicio técnico.
La unidad vibra.	<ol style="list-style-type: none"> 1. El fuelle no está bien puesto en su lugar. 2. Rueda del fuelle dañada. 3. La campana no está bien puesta en su lugar. 	<ol style="list-style-type: none"> 1. Ajuste el fuelle en su lugar. 2. Cambie el fuelle. 3. Verifique la instalación de la campana.
El motor está funcionando, pero las luces, no.	<ol style="list-style-type: none"> 1. Bombilla halógena defectuosa. 	<ol style="list-style-type: none"> 1. Cambie la bombilla halógena.
La campana no tiene un escape adecuado.	<ol style="list-style-type: none"> 1. La campana podría estar demasiado alta con respecto a la parte superior de la cocina. 2. El viento proveniente de ventanas y puertas abiertas en el área circundante afecta la ventilación de la campana. 3. Obstrucciones en el conducto o en la abertura del conducto. 4. La orientación de la abertura del conducto está contra el viento. 5. Uso del tamaño de conducto incorrecto. 	<ol style="list-style-type: none"> 1. Ajuste la distancia entre la cocina y la parte inferior de la campana a una distancia de entre 26" y 34". 2. Cierre todas las puertas y ventanas para impedir la entrada de corrientes de aire del exterior. 3. Elimine todas las obstrucciones del conducto o de la abertura del conducto. 4. Ajuste la orientación de la abertura del conducto. 5. Cambie el conducto a uno de 6" o más.
El filtro metálico vibra.	<ol style="list-style-type: none"> 1. La abrazadera de resorte está rota. 2. El filtro metálico está flojo. 	<ol style="list-style-type: none"> 1. Verifique que la abrazadera de resorte no esté rota. 2. Sustituya el filtro metálico.

Danby

Silhouette

GARANTÍA LIMITADA PARA ELECTRODOMESTICO

Este producto de calidad está garantizado contra defectos de fabricación, incluyendo partes y mano de obra, siempre y cuando la unidad se utilice bajo las condiciones normales de funcionamiento para las que fue diseñado.

Esta garantía está solamente disponible para la persona que haya comprado originalmente esta unidad directamente de Danby Products Limited (Canada) o Danby Products Inc. (U.S.A.) (en adelante "Danby") o uno de sus distribuidores autorizados, y no es transferible.

CONDICIONES DE LA GARANTÍA

Los consumibles (ej. bombillas, filtros, bandejas de vidrio, etc.) están en garantía para (30) días desde la fecha de compra, sin la posibilidad de extensión.

Primeros 24 Meses Durante los primer 24 meses, cualquier parte en buen estado de este producto que resulte defectuosa, incluyendo cualquier sistema sellado, será reparado o reemplazado, a opción del fabricante, sin cargo para el comprador ORIGINAL.

Para obtener Servicio

Danby se reserva el derecho de limitar la cobertura de "Servicio en Domicilio" sujeto a la proximidad de un Taller de Servicio Autorizado. Para todo artefacto que requiera servicio fuera del área limitada de "Servicio en Domicilio", el cliente será responsable por transportar dicho artefacto hasta el Taller de Servicio Autorizado mas cercano. Consulte "Límites del servicio técnico a domicilio", a continuación. Comuníquese con el distribuidor donde haya comprado la unidad, o llame al Taller de Servicio Autorizado más cercano, donde debe ser reparada por un técnico calificado. Si esta unidad es reparada en otro lugar que no sea un Taller de Servicio Autorizado, o si la unidad se utiliza para aplicaciones comerciales, Danby no se hará responsable de ninguna forma y la garantía será anulada.

Límites del servicio técnico a domicilio

Si el electrodoméstico está instalado en un lugar que se encuentra a 100 kilómetros (62 millas) o más del centro de servicios más cercano, se debe llevar la unidad al Centro de servicios Danby autorizado más cercano, ya que dicho servicio sólo puede realizarlo un técnico calificado y certificado por Danby para prestar servicios de garantía. Los cargos por transporte desde y hacia el lugar en que se efectúe el servicio técnico no están cubiertos por esta garantía y son de responsabilidad del comprador.

Nada dentro de esta garantía implica que Danby será responsable por cualquier daño que hayan sufrido los alimentos u otros contenidos de este aparato, ya sea debido a un defecto del aparato, o su uso, adecuado o inadecuado.

EXCLUSIONES

Salvo lo aquí indicado por Danby, no existen otras garantías, condiciones o representaciones, explícitas o implícitas, concretas o intencionales por parte de Danby o sus distribuidores autorizados y todas las demás garantías, condiciones o representaciones, incluyendo cualquier garantía, condiciones o representaciones bajo cualquier Acta de Venta de Productos o legislación o estatuto similar, quedan de esta forma expresamente excluidas. Salvo lo aquí indicado, Danby no serán responsables por ningún daño a personas o bienes, incluyendo la propia unidad, sin importar su causa, o de ningún daño indirecto causado por el desperfecto de la unidad, y al comprar esta unidad, el comprador acepta por la presente, indemnizar y proteger a Danby contra cualquier reclamo por daños a personas o bienes causados por la unidad.

CONDICIONES GENERALES

No se considerará ninguna de estas garantías o seguros cuando el daño o la necesidad de reparación sea el producto de los siguientes casos:

- 1) Falla del suministro eléctrico.
- 2) Daños en tránsito o durante el transporte de la unidad.
- 3) Alimentación incorrecta, como bajo voltaje, instalación eléctrica defectuosa o fusibles inadecuados.
- 4) Accidente, modificación, abuso o uso incorrecto del artefacto, tal como insuficiente ventilación del ambiente o condiciones de operación anormales (temperatura ambiente extremadamente alta o baja).
- 5) Utilización comercial o industrial (v.g., si el electrodoméstico no está instalado en una vivienda particular).
- 6) Incendio, daños por agua, robo, guerra, disturbios, hostilidades, actos de fuerza mayor como huracanes, inundaciones, etc.
- 7) Pedidos de servicio debido a desinformación del usuario.
- 8) Instalación inadecuada (v.g., instalación empotrada de un electrodoméstico diseñado como unidad independiente o uso de un electrodoméstico al aire libre que no esté aprobado para dicho fin).

Para acceder a la garantía se solicitará un comprobante de compra; por lo tanto, guarde su recibo. En caso de necesitar servicio de garantía, presente ese documento al TALLER DE SERVICIO AUTORIZADO.

Servicio de Garantía
Servicio en Domicilio

Danby Products Limited
PO Box 1778, Guelph, Ontario, Canada N1H 6Z9
Telephone: (519) 837-0920 FAX: (519) 837-0449

1-800-263-2629

Danby Products Inc.
PO Box 669, Findlay, Ohio, U.S.A. 45840
Telephone: (419) 425-8627 FAX: (419) 425-8629

04/09

Model • Modèle • Modelo

DURH301SSSL / DURH361SSSL

HOOD RANGE

The model number can be found on the serial plate located on the back panel of the unit.

All repair parts available for purchase or special order when you visit your nearest service depot. To request service and/or the location of the service depot nearest you, call the TOLL FREE number.

When requesting service or ordering parts, always provide the following information:

- Product Type
- Model Number
- Part Description

CAMPANA DE COCINA

El número de modelo se encuentra en la placa ubicada en el panel posterior de la unidad. Todas las partes de recambio pueden comprarse o encargarse especialmente en su taller de reparación autorizado. Para solicitar servicio y/o localizar el taller de servicio mas cercano, llame a nuestro NÚMERO SIN CARGO.

Proporcione siempre la siguiente información al solicitar servicio o al ordenar partes:

- Tipo de Producto
- Número de Modelo
- Descripción de la Parte

HOTTE DE CUISINE

Le numéro de modèle se trouve sur la plaque signalétique au dos de l'unité.

Vous pouvez vous procurer/commander toute pièce de rechange chez votre dépositaire le plus rapproché. Pour toute demande de service ou pour localiser le dépositaire/centre de service le plus rapproché, composez le numéro SANS FRAIS.

Pour toute demande de service ou commande de pièces, fournissez toujours l'information suivante :

- Type de produit
- Numéro de modèle
- Description de la pièce requise

