

# *Silhouette* SELECT®

- OWNER'S MANUAL
- GUIDE DU PROPRIÉTAIRE
- MANUAL DEL USUARIO
- RANGE HOOD
- HOTTE DE CUISINE
- CAMPANA DE COCINA

## CAUTION

Read and follow all safety rules and operating instructions before first use of this product.

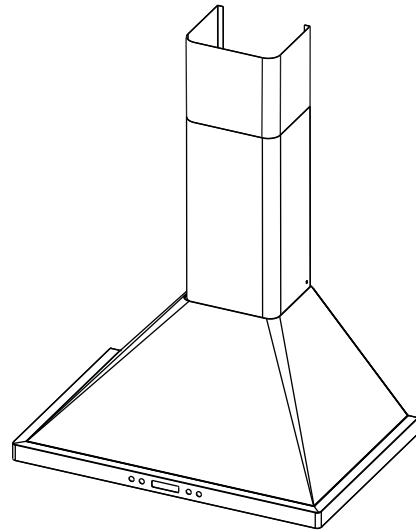
## PRECAUTION

Veillez lire attentivement les consignes de sécurité et les instructions d'utilisation avant l'utilisation initiale de ce produit.

## PRECAUCIÓN

Lea y observe todas las reglas de seguridad y las instrucciones de operación antes de usar este producto por primera vez.

**Model • Modèle • Modelo**  
**DWRH301SSST & DWRH361SSST**



Model Number:

\_\_\_\_\_

Serial Number:

\_\_\_\_\_

Date of Purchase:

\_\_\_\_\_

Dealer:

\_\_\_\_\_

PLEASE STAPLE YOUR SALES RECEIPT TO THE INSIDE FRONT COVER

# TABLE OF CONTENTS

## ENGLISH

---

Important Safety Instructions .....	2
Ducting.....	3
Installation.....	4-8
Operation .....	9
Bulb Replacement .....	10
Cleaning and Maintenance .....	10
Troubleshooting .....	11
Warranty .....	12

## FRANÇAIS

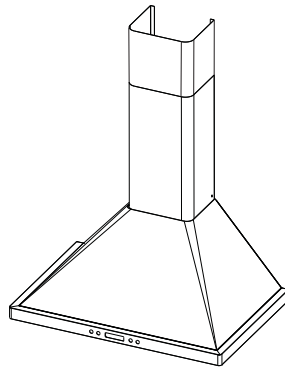
---

Consignes importantes relatives à la sécurité .....	14
Conduits .....	15
Installation .....	16-20
Fonctionnement.....	21
Remplacement de l'ampoule .....	22
Nettoyage et entretien .....	22
Dépannage.....	23
Garantie.....	24

## ESPAÑOL

---

Instrucciones de Seguridad Importantes .....	26
Ubicar el Conducto.....	27
Instalación.....	28-32
Operación.....	33
Reemplazar la Bombilla .....	34
Limpieza y Mantenimiento .....	34
Resolución de Problemas .....	35
Garantía .....	36



**DWRH301SSST & DWRH361SSST**

# IMPORTANT SAFETY INSTRUCTIONS

## READ AND SAVE THESE INSTRUCTIONS

### **FOR DOMESTIC COOKING ONLY**

1. Read all instructions before using the appliance
2. Install or locate this appliance only in accordance with the provided installation instructions.
3. Clean range hoods frequently. Grease should not be allowed to accumulate on the range hood or filters.
4. Always turn the fan on when flambéing foods on the range.
5. This appliance is suitable for use in combination with both gas and electric cooking equipment.
6. Use care when cleaning the range hood filter. Corrosive cleaning agents, such as lye-based oven cleaners, may damage the filter.

## GROUNDING INSTRUCTIONS

- 1) If it is necessary to use an extension cord, use only a 3-wire extension cord that has a 3-blade electrical plug, and 3-slot power outlet that will accept the plug on the appliance. The marked rating of the extension cord must be equal to or greater than the electrical rating of the appliance. Otherwise, do not use an extension cord.

### **WARNING**



TO REDUCE THE RISK OF FIRE, ELECTRIC SHOCK, OR INJURY TO PERSONS, OBSERVE THE FOLLOWING:

1. Use this unit only in the manner intended by the manufacturer. If you have questions, contact the manufacturer at the address or telephone number listed in the warranty.
2. Before servicing or cleaning the unit, switch the power off at the service panel. Lock and tag the service panel to prevent power from being switched on accidentally.
3. Installation work and electrical wiring (including switch location) must be done by a qualified person(s) in accordance with all applicable codes and standards.
4. To prevent backdrafting, provide sufficient air for proper combustion and exhausting of gases through the flue (vent) of the fuel burning equipment. Follow combustion equipment standards such as those published by the National Fire Protection Association (NFPA,) the American Society for Heating, Refrigeration and Air Conditioning Engineers (ASHRAE,) and local codes.
5. This product may have sharp edges. Be careful to avoid cuts and abrasions during installation and cleaning.
6. When cutting or drilling into a wall or ceiling, do not damage electrical wiring and other hidden utilities.
7. Fans must always be vented to the outdoors.
8. Use only metal ductwork.
9. This unit must be grounded.

TO REDUCE THE RISK OF A RANGE TOP GREASE FIRE:

1. Never leave surface units unattended. Rapid boiling causes smoke and grease spills that may ignite. Heat oils slowly on a low or medium setting.
2. Always turn hood ON when cooking at high heat or when flambéing food.
3. Clean the ventilating fans frequently. Do not allow grease to accumulate on the fan, fan blades and filter.
4. Use the proper pan size. Always use cookware appropriate for the size of the surface element.

### **WARNING**



TO REDUCE THE RISK OF INJURY TO PERSONS IN THE EVENT OF A RANGE TOP GREASE FIRE, OBSERVE THE FOLLOWING:\*

1. SMOTHER FLAMES with a close-fitting lid, cookie sheet, or metal tray, then turn off the burner. BE CAREFUL TO AVOID BURNS. If the flames do not go out immediately, EVACUATE THE AREA AND CALL THE FIRE DEPARTMENT.
  2. NEVER PICK UP A FLAMING PAN. You may get burned or spread the fire.
  3. DO NOT USE WATER, including wet dishcloths or towels; a violent steam explosion could result.
  4. Use an extinguisher ONLY if:
    - A. You know you have a Class ABC extinguisher and you already know how to operate it.
    - B. The fire is small and contained in the area where it started.
    - C. The fire department has already been called.
    - D. You can fight the fire with your back to an exit.
- \*Based on "Kitchen Fire Safety Tips" published by NFPA.

### **CAUTION**



1. To reduce risk of fire and to properly exhaust air, be sure to duct air outside. Do not vent exhaust air into spaces within walls or ceilings, or into attics, crawl spaces, or garages.
2. Take care when using cleaning agents or detergents.
3. Avoid using food products that produce flames under the range hood.
4. For general ventilating use only. Do not use to exhaust hazardous or explosive materials and vapors.
5. To avoid motor bearing damage and noisy / unbalanced impellers, keep drywall spray, construction dust, etc off the power unit.
6. Your hood motor has a thermal overload which will automatically shut off the motor if it becomes overheated. The motor will restart when it cools down. If the motor continues to shut off and restart, have the hood serviced.
7. To best capture cooking impurities, the bottom of the hood should be a minimum of 26" and a maximum of 34" above the cooking surface.
8. Two installers are recommended because of the large size and weight of this hood.
9. Please read specification label on product for further information and requirements.

**Installer: Leave this manual with the homeowner.**

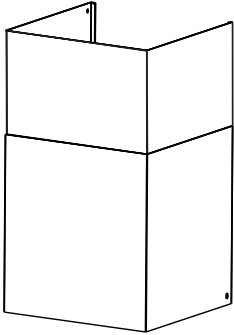
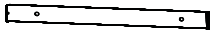
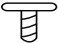


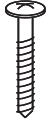


**Homeowner: Cleaning, maintenance, and operating instructions begin on page 3.**

# PREPARE THE HOOD

Unpack hood and check contents.

You should receive:

- 1 - Hood
- 2 - (A) Decorative Flue Assembly
- 1 - Parts Bag containing:
  - 2 - (B) Flue Mounting Bracket
  - 2 - (C) Mounting Screws (M3 x 8mm Pan Head)
  - 2 - (D) Mounting Screws (M4 x 8mm Round Head)
  - 2 - (E) Mounting Screws (ST4 x 12mm Self Tapping)
  - 2 - (F) Mounting Screws (ST4 x 35mm Self Tapping)
  - 4 - Drywall Anchors [(G)  $\Phi 6$  x 30mm &  $\Phi$  (H) 8 x 35mm]
- 1 - Installation Instructions

<b>A</b>	
<b>B</b>	
<b>C</b>	
<b>D</b>	
<b>E</b>	
<b>F</b>	
<b>G</b>	
<b>H</b>	

# DUCTING

## WARNING! FIRE HAZARD



1. NEVER implement ducting in a space between walls, crawl spaces, attics or garages. All exhaust must be vented outside. Use metal ducting only. Fasten all connections with sheet metal screws and certified silver tape or duct tape.

2. See Fig. 1 below for placement of ducting and electrical cutout in wall. For a non-ducted installation, DO NOT cut a duct access hole.

Determine whether the hood will discharge vertically or horizontally. For vertical or horizontal discharge, run ductwork between the hood location and roof cap or wall cap.

A minimum 6" round duct must be used to maintain maximum airflow efficiency.

Always use rigid type metal ducts only.

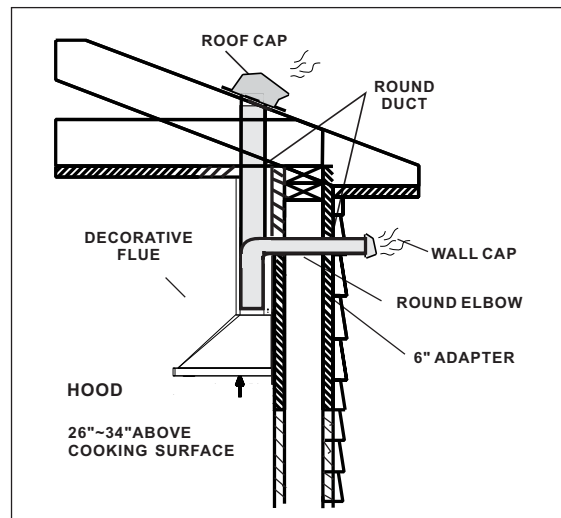
Whenever possible, reduce the number of transitions and turns in the ducting. If a long duct length is required, increase the duct size from 6" to 7".

If elbows or bends are required; install them as far away from the hood as possible.

Minimum mounting height between the range and the bottom of the hood should be no less than 26".

Maximum mounting height between the range and the bottom of the hood should be no more than 34".

**FIG. 1**

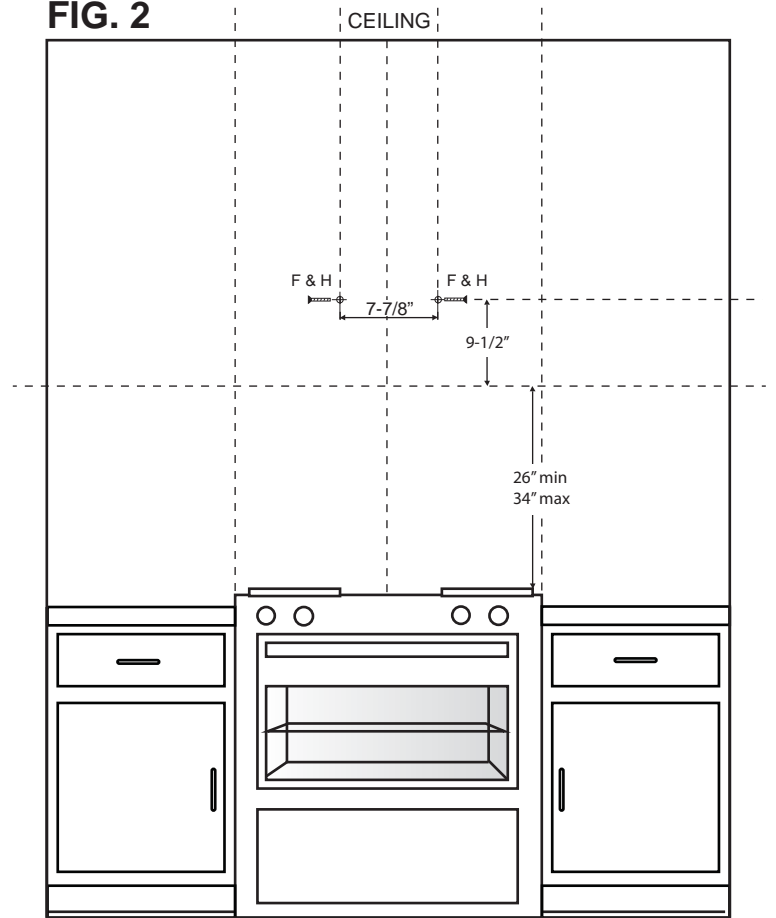


# INSTALLATION INSTRUCTIONS

## 1) MARK REFERENCE POINTS ON WALL

The bottom of the range hood must sit between 26" (min) and 36" (max) above the stove top. The screw holes must be situated 9 1/2" above the point where the bottom of the range hood will hang. The screw holes for mounting the range hood must be 7 7/8" apart. Refer to Fig. 2 and mark these reference points on the wall before installing the range hood. Then, drill 2 screws into the wall but not tightly: you must leave some of the screw (roughly half an inch) out of the wall until after the range hood is mounted.

FIG. 2

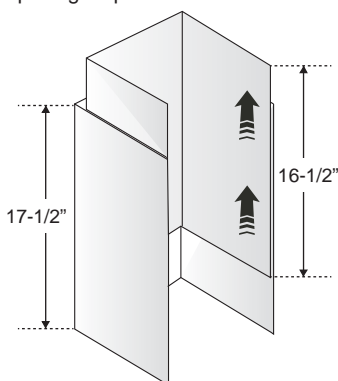


## 2) MOUNTING THE RANGE HOOD ON THE WALL

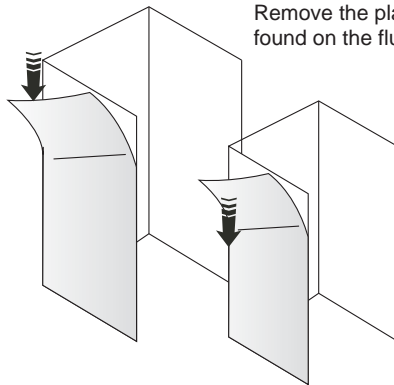
Before mounting the range hood on the wall please take out the filters and remove any plastic or styrofoam found inside the range hood (see Fig. 3 and Fig. 4.) Leave the filters out until Step 3 is finished.

### FIG. 4 - PEEL OFF PLASTIC FROM THE FLUES

Separate the extension flue by pulling it upward.

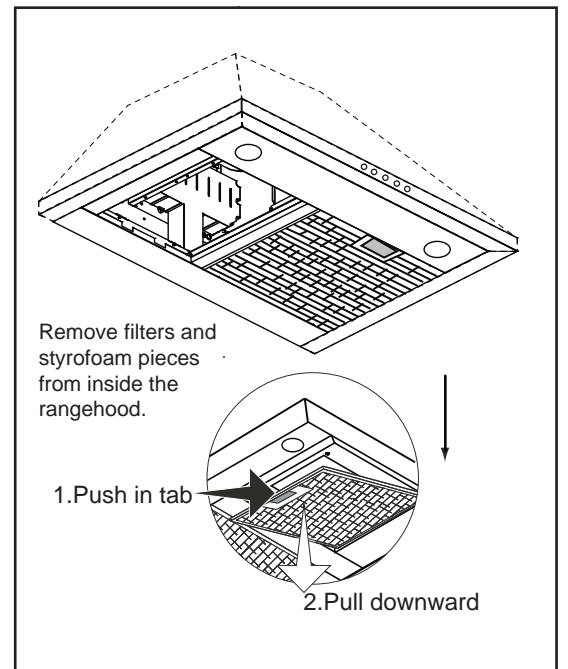


Remove the plastic found on the flues.



4

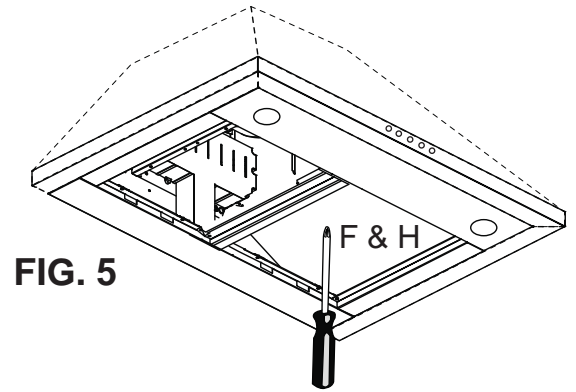
FIG. 3



# INSTALLATION INSTRUCTIONS

## 3) MOUNTING TO THE WALL

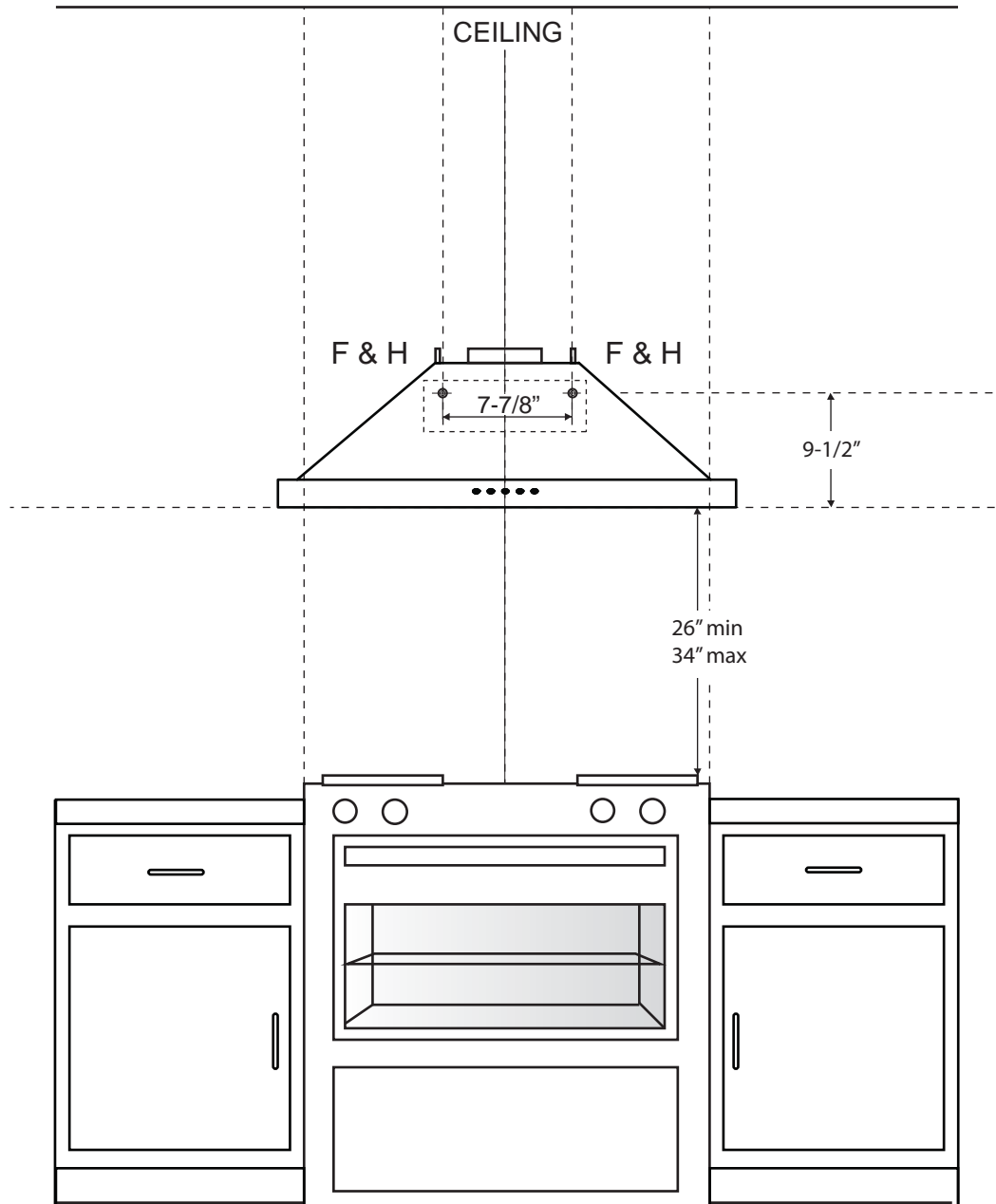
Position the range hood by hanging it onto the screws. Once it is level, tighten the screws all the way from inside the range hood (Fig 5.) Please note: a stubby screwdriver may be required to access the screws from inside the range hood. Once the range hood is securely fastened, the filters can be put back in. At this point, the range hood should match Fig. 6.



**FIG. 5**

Please tighten the 2 screws from the inside.

**FIG. 6**

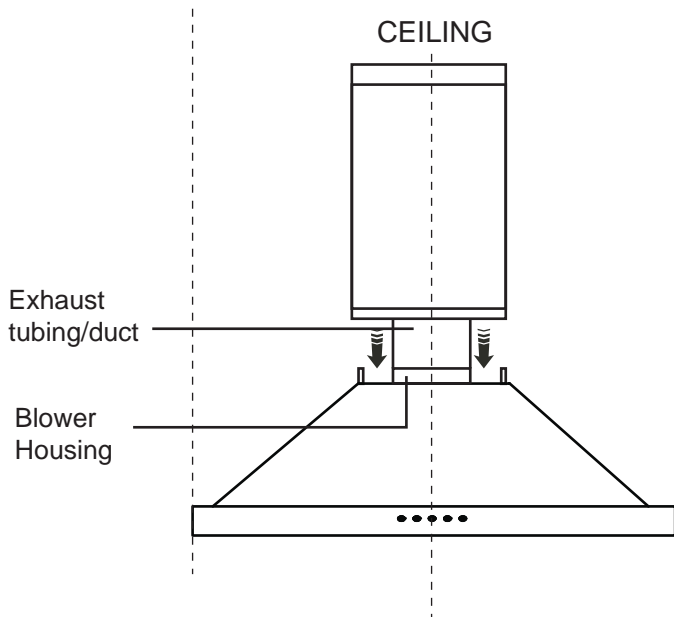


# INSTALLATION INSTRUCTIONS

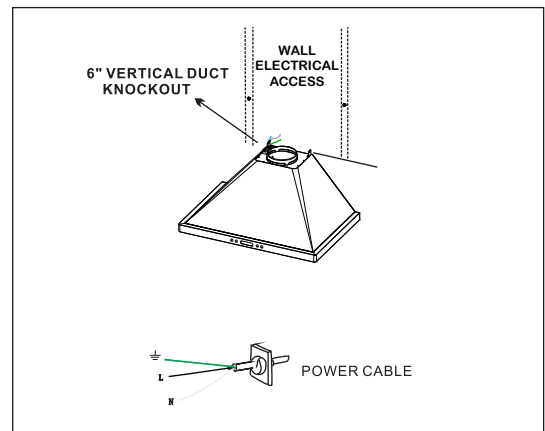
## 4) MOUNTING THE DECORATIVE FLUE (REQUIRES 2 PEOPLE)

Before you mount the decorative flue to the range hood, fasten the exhaust tubing to the blower housing and make sure all ducting is correct (see Fig. 7.) Have a qualified electrician connect the power supply (see Fig. 8.) Next, fasten the decorative flue onto the range hood. **DO NOT SEPARATE THE EXTENSION FLUE!** Have one person hold the flue and the other person align the holes on the decorative flue with the holes on the range hood brackets. Fasten the 2 screws on each side (see Fig. 9.)

**FIG. 7**

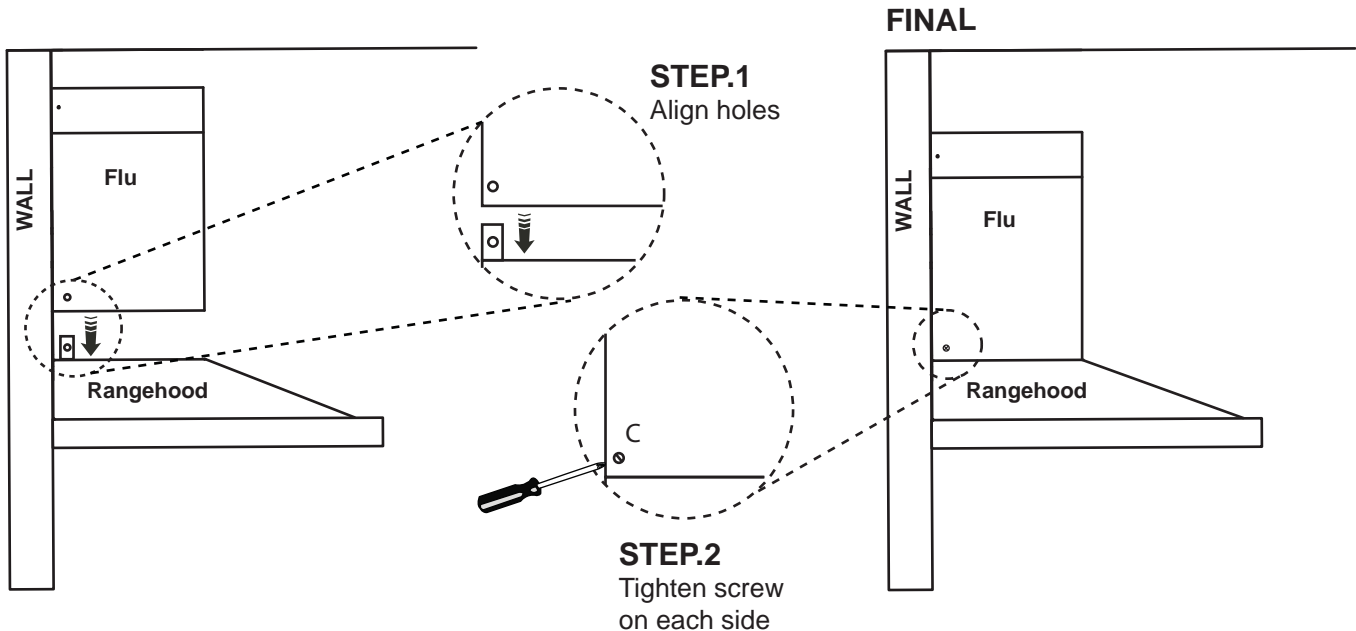


**FIG. 8 - Wiring diagram**



Connect house power cable to range hood wiring,  
⊥ Ground Wire : GREEN  
L Fire Wire : BLACK  
N Zero Line : WHITE

**FIG. 9 - Side of unit**



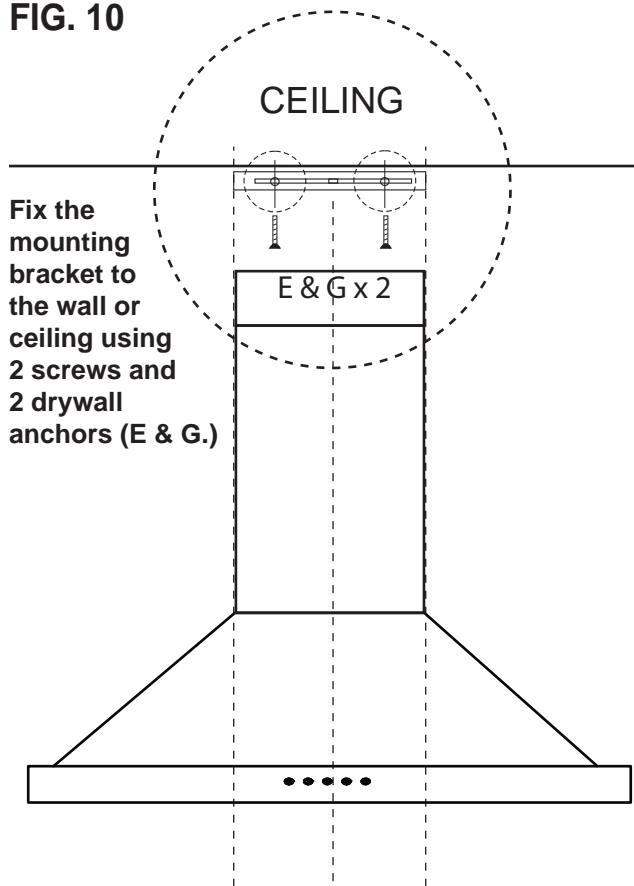


# INSTALLATION INSTRUCTIONS

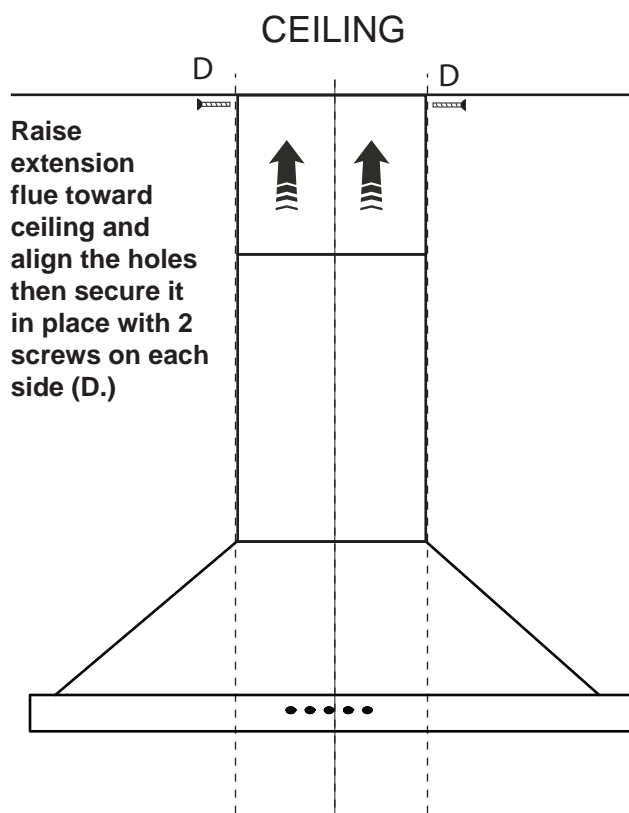
## 5) MOUNTING BRACKET INSTALL

Locate the mounting bracket and center it on the wall just below the ceiling (Option A) or on the ceiling with the hooks facing downward (Option B) using 2 screws (see Fig. 10.) Once the bracket has been mounted on the wall or ceiling, raise the extension flue toward the ceiling and line up the holes in the flue with the holes in the mounting bracket. Secure the extension flue by fastening it with 2 screws on each side (see Fig. 11.) Final install see Figs. 12 and 13.

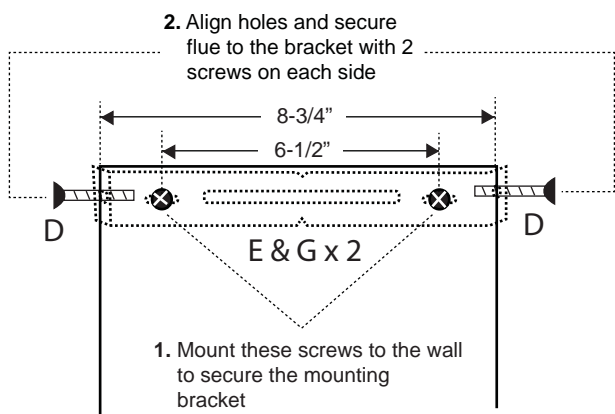
**FIG. 10**



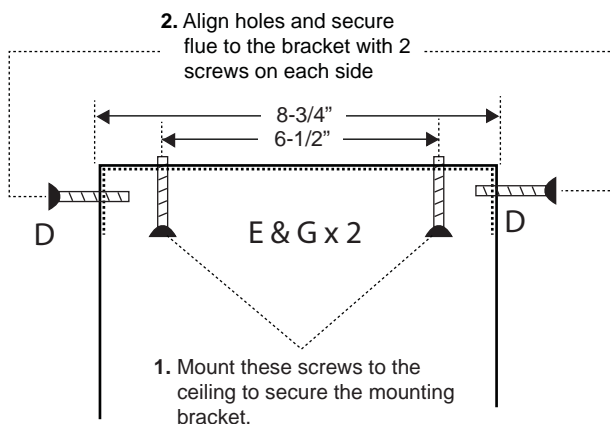
**FIG. 11**



**FIG. 12 - Bracket on wall (Option A)**



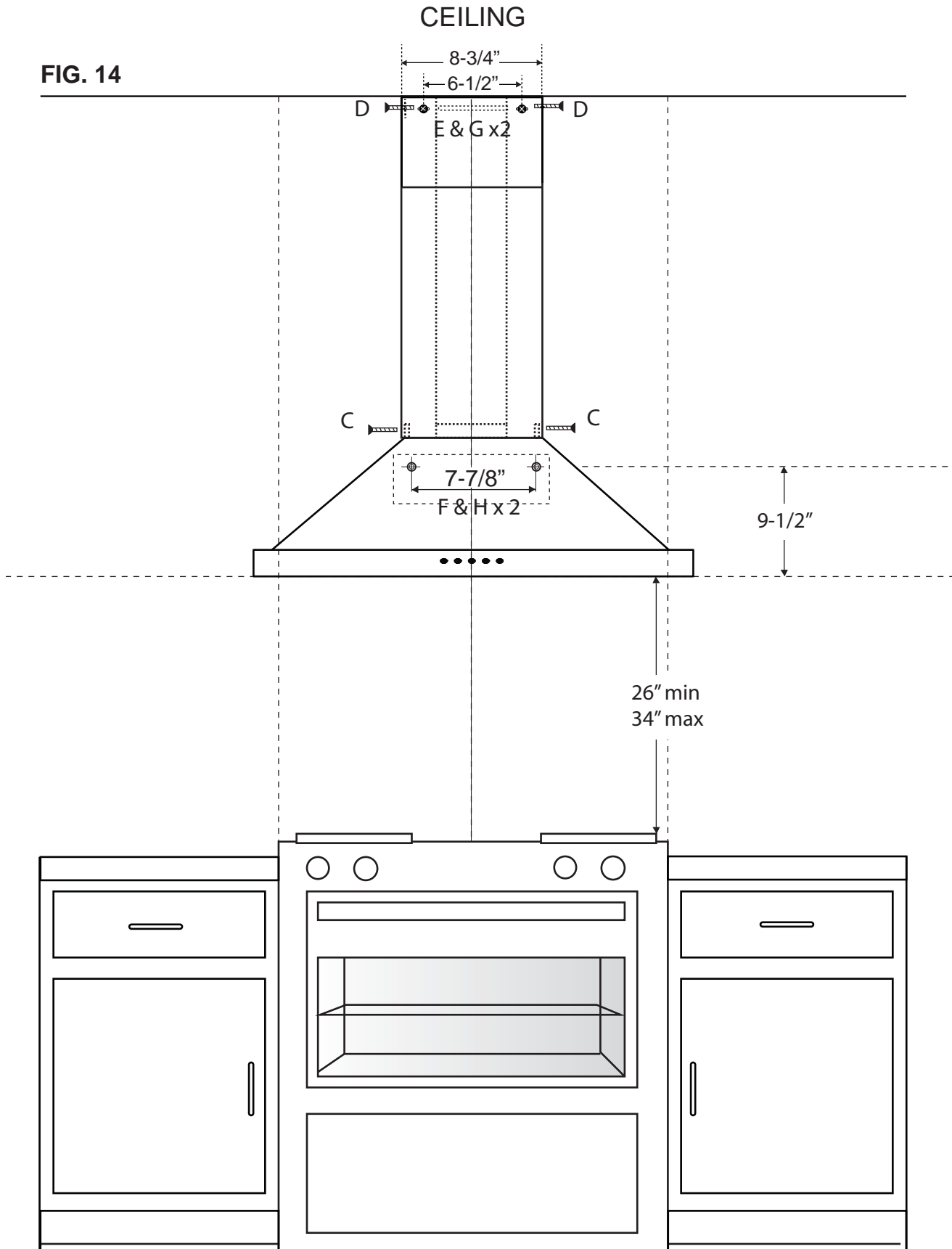
**FIG. 13 - Bracket on ceiling (Option B)**



# INSTALLATION INSTRUCTIONS

## 5) FINAL INSTALLATION IMAGE

FIG. 14



# OPERATION

Always turn the hood ON before cooking in order to establish an air flow in the kitchen. After turning off the range, let the hood run for a few minutes to clear the air.

## HEAT SENTRY™

The hood is equipped with a Heat Sentry™ thermostat. This safety device will turn on or speed up the fan if it senses excess heat above the cooking surface. If the fan is not on, or if it is running at low speed, the Heat Sentry™ will override the normal fan control and run the fan on the high speed. When the temperature level drops to normal levels, the fan will return to its original setting.

## Operate the hood as follows:



### Power

To activate the range hood, press the power button. Once activated, the buttons and LED light up.

### Light

The Silhouette Select™ range hood are equipped with 3 light settings High, Low and Off. Press the light icon once and the 20w halogen bulbs turn on providing full task lighting. Press the icon again and this reduces the illumination to 50%. Press the icon a third time to turn the lights off.

### Filter


After 100 hours, the filter icon lights up and the user must remove the filter, clean it and replace it in order to reset the icon. Press and hold the power button for 3 seconds to reset after cleaning the filter.


### Timer


Silhouette Select™ range hoods include a convenient feature that allows the range hood to continue to run for an additional 5 minutes to expel residual vapors and odors after cooking. When the timer button is pressed once the current fan speed will continue to run for a duration of 5 minutes and the timer icon appears on the LED display. Push the timer button a second time to cancel the timer and remove the icon from the LED display.

### Fan

Your Silhouette Select™ range hood offers 3 fan settings: low, medium and high. To activate the fan press the fan button and the fan starts at the low setting and the corresponding icon appears on the LED display. Press the fan button again and the blower increases to the medium speed. Press a third time for the highest speed and a fourth time to turn the fan off.

 \* Icon for low speed

 \* Icon for medium speed

 \* Icon for high speed

## BULB REPLACEMENT

**CAUTION:** the light bulbs and glass cover become extremely hot when running. Shut off the lights and allow them to cool prior to changing the bulb. Failing to do so could result in serious burns. Turn off power to the unit before replacing bulb. Be careful around sharp edges.

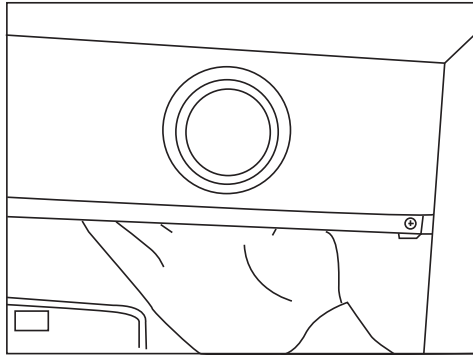


FIG. 15

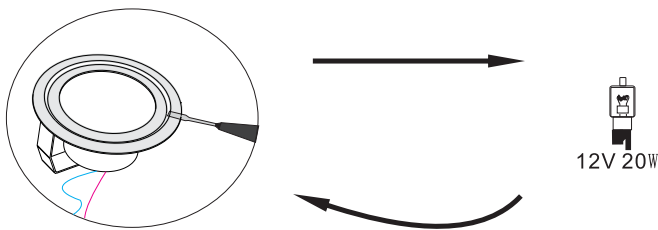


FIG. 16

1. Remove the grease filters.
2. Reach within the unit and push out the lamp housing towards you. See Fig. 15.
3. Using a small, flat-head screw driver pop off the glass plate. See Fig. 16 above.
4. Remove the burnt out 2-pronged 20 watt Halogen bulb. Replace with a new 20 watt Halogen bulb. Wipe the new bulb with a clean cloth before replacing the cover.
5. Caution: the lights are designed for 20 watt Halogen bulbs only. Replacing with high wattage bulbs can result in damage to the range hood or fire and not recommended
6. Replace lamp cover and press lamp housing back into place.

## CLEANING & MAINTENANCE

The mesh filters are intended to trap residue and grease produced during cooking process. To ensure optimal performance, appearance, and a sanitary cooking environment, clean the filters, fan and grease laden surfaces regularly. Use only a clean cloth and mild detergent solution on stainless steel and painted surfaces. Do not use corrosive or abrasive cleaning agents or steel wool or scouring pads as these will scratch the surface. Do not use cleaning products that use chlorine bleach or orange cleaners.

The grease filters, bottom panel surrounding the grease filters, and the blower should be cleaned frequently. When washing by hand use warm soapy (mild detergent) water. The grease filter and blower wheels are dishwasher safe.

The motor is permanently lubricated and never needs oiling. If the motor bearings make unusual or excessive noise, call for service at 1-800-263-2629.

### Hood Cleaning

Stainless steel is one of the easiest materials to keep clean. Occasional care will help preserve its fine appearance.

### Cleaning tips:

Hot water with soap or detergent is all that is usually needed. Follow all cleaning with rinsing with clear water. Wipe dry with a clean, soft cloth to avoid water marks.

For discolorations or deposits that persist, use a non-scratching household cleanser or stainless steel polishing powder with a little water and a soft cloth.

For stubborn messes, use a plastic scouring pad or soft bristle brush together with cleaning solution and water. Rub lightly in direction of polishing lines or "grain" of the stainless finish. Avoid using too much pressure which may alter the surface.

**DO NOT** allow deposits to remain for long periods of time.  
**DO NOT** use ordinary steel wool or steel brushes. Small bits of steel may adhere to the surface causing rust.  
**DO NOT** allow salt solutions, disinfectants, bleaches, or cleaning compounds to remain in contact with stainless steel for extended periods.

Many of these compounds contain chemicals which may be harmful.

Rinse with water after exposure and wipe dry with a clean cloth.

Painted surfaces should be cleaned with warm water and mild detergent only.

# TROUBLESHOOTING

Issue	Cause	What to do
After installation, the unit doesn't work.	<ol style="list-style-type: none"> <li>1. The power source is not turned ON.</li> <li>2. The power line and the cable locking connector are not connecting properly.</li> </ol>	<ol style="list-style-type: none"> <li>1. Call for service.</li> <li>2. Call for service.</li> </ol>
Light works, but motor is not turning.	<ol style="list-style-type: none"> <li>1. The blower is defective, possibly seized.</li> <li>2. Damaged capacitor.</li> </ol>	<ol style="list-style-type: none"> <li>1. Call for service.</li> <li>2. Call for service.</li> </ol>
The unit is vibrating.	<ol style="list-style-type: none"> <li>1. The blower is not secure in place.</li> <li>2. Damaged blower wheel.</li> <li>3. The hood is not secured in place.</li> </ol>	<ol style="list-style-type: none"> <li>1. Tighten the blower in place.</li> <li>2. Change the blower.</li> <li>3. Check the installation of the hood.</li> </ol>
The motor is working, but the lights are not.	<ol style="list-style-type: none"> <li>1. Defective halogen bulb.</li> </ol>	<ol style="list-style-type: none"> <li>1. Change the halogen bulb.</li> </ol>
The hood is not venting out properly.	<ol style="list-style-type: none"> <li>1. The hood might be hanging too high from the cook top.</li> <li>2. The wind from the opened windows or opened doors in the surrounding area are affecting the ventilation of the hood.</li> <li>3. Blockage in the duct opening or duct work.</li> <li>4. The direction of duct opening is against the wind.</li> <li>5. Using the wrong size of ducting.</li> </ol>	<ol style="list-style-type: none"> <li>1. Adjust the distance between the range and the bottom of the hood within 26"–34"</li> <li>2. Close all windows and doors to eliminate the outside wind flow.</li> <li>3. Remove all the blocking from the duct work or duct opening.</li> <li>4. Adjust the duct opening direction.</li> <li>5. Change the ducting to at least 6" or higher.</li> </ol>
Metal filter is vibrating.	<ol style="list-style-type: none"> <li>1. Spring clip is broken.</li> <li>2. Metal filter is loose.</li> </ol>	<ol style="list-style-type: none"> <li>1. Verify spring clip is not broken.</li> <li>2. Replace the metal filter.</li> </ol>



# LIMITED IN-HOME APPLIANCE WARRANTY

This quality product is warranted to be free from manufacturer's defects in material and workmanship, provided that the unit is used under the normal operating conditions intended by the manufacturer.

This warranty is available only to the person to whom the unit was originally sold by Danby Products Limited (Canada) or Danby Products Inc. (U.S.A.) (hereafter "Danby") or by an authorized distributor of Danby, and is non-transferable.

## TERMS OF WARRANTY

Consumable parts (ie. light bulbs, filters, glass trays, etc.) are warranted for thirty (30) days from purchase date, with no extensions provided.

*First 24 Months* During the first twenty four (24) months, any functional parts of this product found to be defective, will be repaired or replaced, at warrantor's option, at no charge to the ORIGINAL purchaser.

*To obtain Service* Danby reserves the right to limit the boundaries of "In Home Service" to the proximity of an Authorized Service Depot. Any appliance requiring service outside the limited boundaries of "In Home Service", it will be the consumer's responsibility to transport the appliance (at their own expense) to the original retailer (point of purchase) or a service depot for repair. See "Boundaries of In Home Service" below. Contact your dealer from whom your unit was purchased, or contact your nearest authorized Danby service depot, where service must be performed by a qualified service technician.

If service is performed on the unit by anyone other than an authorized service depot, or the unit is used for commercial application, all obligations of Danby under this warranty shall be void.

*Boundaries of In Home Service* If the appliance is installed in a location that is 100 kilometers (62 miles) or more from the nearest service center your unit must be delivered to the nearest authorized Danby Service Depot, as service must only be performed by a technician qualified and certified for warranty service by Danby. Transportation charges to and from the service location are not protected by this warranty and are the responsibility of the purchaser.

## EXCLUSIONS

Save as herein provided, Danby, there are no other warranties, conditions, representations or guarantees, express or implied, made or intended by Danby or its authorized distributors and all other warranties, conditions, representations or guarantees, including any warranties, conditions, representations or guarantees under any Sale of Goods Act or like legislation or statute is hereby expressly excluded. Save as herein provided, Danby shall not be responsible for any damages to persons or property, including the unit itself, howsoever caused or any consequential damages arising from the malfunction of the unit and by the purchase of the unit, the purchaser does hereby agree to indemnify and hold harmless Danby from any claim for damages to persons or property caused by the unit.

## GENERAL PROVISIONS

No warranty or insurance herein contained or set out shall apply when damage or repair is caused by any of the following:

- 1) Power failure.
- 2) Damage in transit or when moving the appliance.
- 3) Improper power supply such as low voltage, defective house wiring or inadequate fuses.
- 4) Accident, alteration, abuse or misuse of the appliance such as inadequate air circulation in the room or abnormal operating conditions (extremely high or low room temperature).
- 5) Use for commercial or industrial purposes (ie. If the appliance is not installed in a domestic residence).
- 6) Fire, water damage, theft, war, riot, hostility, acts of God such as hurricanes, floods etc.
- 7) Service calls resulting in customer education.
- 8) Improper Installation (ie. Building-in of a free standing appliance or using an appliance outdoors that is not approved for outdoor application).

Proof of purchase date will be required for warranty claims; so, please retain bills of sale. In the event warranty service is required, present this document to our AUTHORIZED SERVICE DEPOT.

**Warranty Service**  
In-home

Danby Products Limited  
PO Box 1778, Guelph, Ontario, Canada N1H 6Z9  
Telephone: (519) 837-0920 FAX: (519) 837-0449

**1-800-263-2629**

Danby Products Inc.  
PO Box 669, Findlay, Ohio, U.S.A. 45840  
Telephone: (419) 425-8627 FAX: (419) 425-8629

04/09

# Model • Modèle • Modelo

## DWRH301SSST & DWRH361SSST

### HOOD RANGE

The model number can be found on the serial plate located on the back panel of the unit.

All repair parts available for purchase or special order when you visit your nearest service depot. To request service and/or the location of the service depot nearest you, call the TOLL FREE number.

When requesting service or ordering parts, always provide the following information:

- Product Type
- Model Number
- Part Description

---

### CAMPANA DE COCINA

El número de modelo se encuentra en la placa ubicada en el panel posterior de la unidad. Todas las partes de recambio pueden comprarse o encargarse especialmente en su taller de reparación autorizado. Para solicitar servicio y/o localizar el taller de servicio mas cercano, llame a nuestro NÚMERO SIN CARGO.

Proporcione siempre la siguiente información al solicitar servicio o al ordenar partes:

- Tipo de Producto
- Número de Modelo
- Descripción de la Parte

### HOTTE DE CUISINE

Le numéro de modèle se trouve sur la plaque signalétique au dos de l'unité.

Vous pouvez vous procurer/commander toute pièce de rechange chez votre dépositaire le plus rapproché. Pour toute demande de service ou pour localiser le dépositaire/centre de service le plus rapproché, composez le numéro SANS FRAIS.

Pour toute demande de service ou commande de pièces, fournissez toujours l'information suivante :

- Type de produit
- Numéro de modèle
- Description de la pièce requise

