



ARWDF129SNA



33" x 23.63" x 22.75" (H x W x D)

24" wide washer/dryer combo in platinum finish, built by Ariston for non-vented use, with 15 lb. wash capacity

Highlights:

Energy efficient design saves on water use and electricity

10 wash cycles offer the proper care for all fabric types

Super silent operation with a unique tri-phase motor

24" footprint is ideal for space-challenged homes

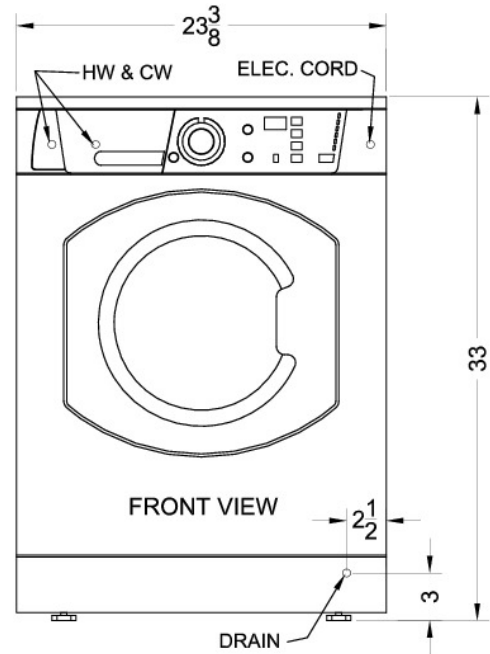
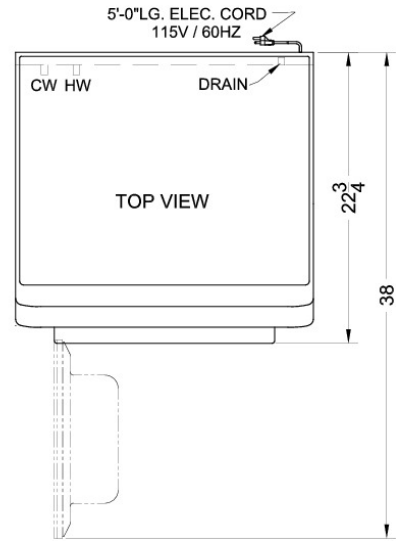
Product Features:

Slim undercounter dimensions	Just under 24" wide for an easy fit
Energy efficient	Smart design uses less energy than many appliances in its class. This model is ENERGY STAR qualified in Canada (Note: There is no washer/dryer combo category for U.S. ENERGY STAR ratings)
10 wash settings	Get the proper fabric care with settings for regular cottons, colored cottons, permanent press, mixed load, quick wash & dry, bright white, active wear, lightly soiled, wool, and delicates
Woolmark Silver Care setting	Perfect for keeping your wools clean and soft
Quick Wash & Dry setting	Extra fast wash and dry cycle cleans small loads in just 60 minutes
Active Wear setting	Ideal for giving common workout fabric a thorough cleaning
Stainless steel drum	Durable interior holds up load after load
Extra Rinse option	Removes all traces of detergent so fabric is safe for those with sensitive skin
Bright White setting	Ensures your white fabric retains its brightness



ARWDF129SNA Specifications:

Overview	
Height	33.0"
Width	23.63"
Depth	22.75"
Depth with door at 90°	38.0"
Door	Glass
Cabinet	Platinum
US Electrical Safety	UL
Canadian Electrical Safety	ULC
Energy Usage/Year	105.0kWh/year
Amps	11.0
Voltage/Frequency	115 V AC/60 Hz
Weight	148.0 lbs.
Shipping Weight	172.0 lbs.
Parts & Labor Warranty	1 Year
Washer-Dryer	
Loading Style	Front Loading
Door Window	Yes
Door Swing	LHD
Reversible	No
Maximum Wash Weight	15.0 lbs.
Maximum Dry Weight	11.0 lbs.
Lint Trap	Yes
Control Type	Digital & Dial
Dispenser Compartment	Yes
Wash Cycles	10
Maximum Drum Speed	1200.0
Maximum Temperature	134.0 °F
Delayed Start	Yes
Delicate Cycle	Yes
Permanent Press Cycle	Yes
Pedestal	Optional



SUMMIT APPLIANCE DIVISION FELIX STORCH, INC.

770 Garrison Avenue, Bronx, NY 10474 USA TEL 718-893-3900 FAX 844-478-8799 info@summitappliance.com www.summitappliance.com