

ARWDF129SNA

33.0" x 23.63" x 22.75" (H x W x D)

24" wide washer/dryer combo in platinum finish, built by Ariston for non-vented use, with 15 lb. wash capacity

Highlights:

- Energy efficient design saves on water use and electricity
- 10 wash cycles offer the proper care for all fabric types
- Super silent operation with a unique tri-phase motor
- 24" footprint is ideal for space-challenged homes



Slim undercounter dimensions	Just under 24" wide for an easy fit
Energy efficient	Smart design uses less energy than many appliances in its class. This model is ENERGY STAR qualified in Canada (Note: There is no washer/dryer combo category for U.S. ENERGY STAR ratings)
10 wash settings	Get the proper fabric care with settings for regular cottons, colored cottons, permanent press, mixed load, quick wash & dry, bright white, active wear, lightly soiled, wool, and delicates
Woolmark Silver Care setting	Perfect for keeping your wools clean and soft
Quick Wash & Dry setting	Extra fast wash and dry cycle cleans small loads in just 60 minutes
Active Wear setting	Ideal for giving common workout fabric a thorough cleaning
Stainless steel drum	Durable interior holds up load after load
Extra Rinse option	Removes all traces of detergent so fabric is safe for those with sensitive skin

Bright White
setting

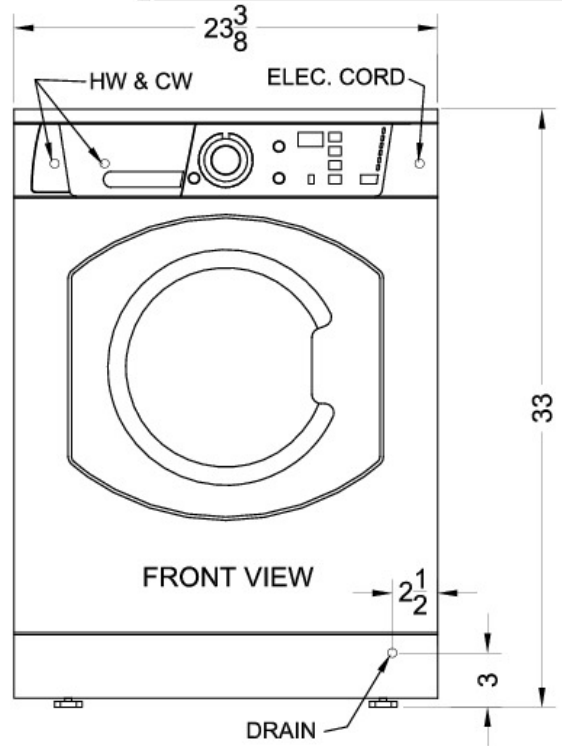
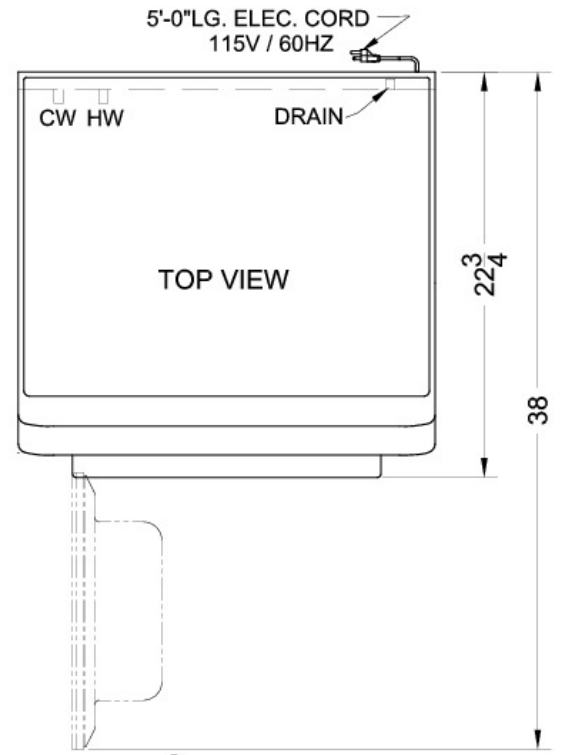
Ensures your white fabric retains its brightness

Time display

Digital readout of time remaining lets you keep track of each cycle

ARWDF129SNA Specifications:

Height	33.0"
Width	23.63"
Depth	22.75"
Shipping Weight	172.0 lbs.
Weight	148.0 lbs.
US Electrical Safety	UL
Energy Usage/Year	105.0 kWh/year
Canadian Electrical Safety	ULC
Amps	11.0
Voltage/Frequency	115 V AC/60 Hz
Depth with door at 90°	38.0"
Door Window	true
Style	Front Loading
Control Type	Dial
Max Temperature	134.0 °F
Max Clothes Weight per Wash	15.0 lbs.
Dispenser Compartment	true
Number of Cycles	10
Leveling Legs	true
Max Drum Spin Speed	1200.0
Number of Dispensers	3
Parts/Labor Warranty	1 Year



Summit Appliance Division, Felix Storch, Inc.
 770 Garrison Ave • Bronx, NY 10474
 Phone: 718-893-3900 • Fax: 718-842-3093
 Email: info@summitappliance.com