

T36IB800SP

36-INCH FLUSH CUSTOM 2-DOOR BOTTOM FREEZER

FREEDOM® COLLECTION



FEATURES & BENEFITS

- Freedom® Hinge enables true flush design
- Full-height door—true cabinet integration without exposed venting grille
- All-LED sidewall and theater lighting
- Brightspace interior design
- Accepts custom or stainless steel panel kit panels

TEMPERATURE RANGES

| | |
|-------------------------------|--|
| Refrigeration | 35°F (2°C) to 46°F (8°C) |
| Temperature Controlled Drawer | Fish 32°F (0°C) Meat 35°F (1.5°C) Produce 37°F (3°C) |
| Deli Drawer | Just above 32°F (0°C) |
| SuperCool | 35.5°F (2°C) for approximately 9 hours |
| Energy Saving (Economy) Mode | Refrigerator: 45°F (7°C) Freezer: 3°F (-16°C) |
| Freezer | -9°F (-23°C) to 7°F (-14°C) |
| SuperFreeze® | -9°F (-23°C) for approximately 52 hours |

SEE PAGE 2 FOR OPTIONAL ACCESSORIES

GENERAL PROPERTIES

| | |
|--|---------------------------------------|
| Panel Ready | Yes |
| Reversible Door Swing | Yes |
| Lighting | All-LED Sidewall and Theater Lighting |
| Full Width Shelves - Refrigerator | 3 |
| Adjustable Shelves - Refrigerator | 2 |
| Shelf Material - Refrigerator | Glass Shelves w/Metal Trim |
| Full Extension Drawers at 90° Door Opening Angle | Yes |
| Humidity Control Drawer | Yes |
| Door Bins - Refrigerator | 3 |
| Gallon Door Bins | 1 |
| Defrost Process - Freezer | Frost-Free |
| Freezer Drawers | 1 |
| Ice Maker | Yes |
| Door Open Alarm | Yes |
| SuperCool | Yes |
| SuperFreeze® | Yes |
| Special Modes | Sabbath, Economy, Vacation |

CAPACITY

| | |
|--|------------|
| Total Unit Gross Capacity (cu. ft.) - AHAM | 20 cu. ft. |
| Refrigerator Gross Capacity (cu. ft.) | 14 cu. ft. |
| Freezer Gross Capacity (cu. ft.) | 6 cu. ft. |

TECHNICAL DETAILS

| | |
|-------------------------|-------------|
| Watts (W) | 588 W |
| Current (A) | 15 A |
| Volts (V) | 120 V |
| Frequency (Hz) | 60 Hz |
| Power Cord Length (in.) | 78 3/4" |
| Plug Type | 120V 3-Wire |

DIMENSIONS & WEIGHT

| | |
|--|---------------------|
| Appliance Dimensions (H x W x D) (in.) | 84" x 35 3/4" x 24" |
| Required Cutout Size (H x W x D) (in.) | 84" x 36" x 24 3/4" |
| Net / Gross Weight (lbs) | 427 / 470 lbs |

EFFICIENCY

| | |
|---------------------------|---------|
| ENERGY STAR® Qualified | Yes |
| Annual Energy Consumption | 591 kWh |

WARRANTY

| | |
|---|------------------|
| Limited, Entire Appliance, Parts and Labor on Any Part of the Refrigerator that Fails Because of a Manufacturing Defect | 2 Year |
| Limited Warranty for Sealed Refrigeration System*; Parts And Labor | 3rd to 6th Year |
| Limited Warranty for Sealed Refrigeration System*; Parts Only | 7th to 12th Year |

* Sealed refrigeration system includes compressor, evaporator, condenser, dryer / strainer and connection tubing

T36IB800SP

36-INCH FLUSH CUSTOM 2-DOOR BOTTOM FREEZER

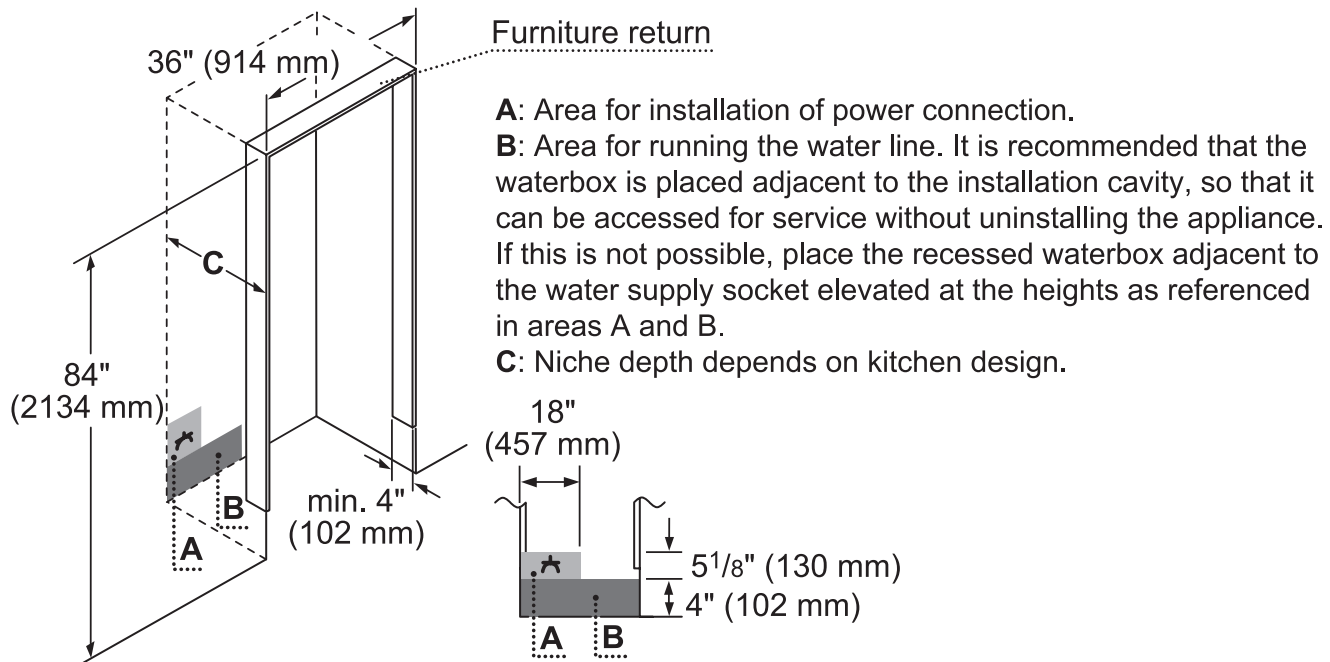
FREEDOM® COLLECTION



ACCESSORIES (OPTIONAL)

- Stainless Steel Panel Options:
 TFL36IB800 - Flat Stainless Steel Panel Kit
 TCH36IB800 - Chiseled Stainless Steel Panel Kit
-
- Handle Options:
 PR36HNDL10 - 36" Professional Handle
 MS36HNDL10 - 36" Masterpiece® Handle
-
- FRAMEKIT10 - Freedom® Frame Kit
-
- HEATRKIT10 - Freedom® Heater Kit
-
- Filters:
 REPLFLTR10 - Freedom® Water Filter
 SCRNFLTR10 - Filter By-Pass

CUTOUT DIMENSIONS



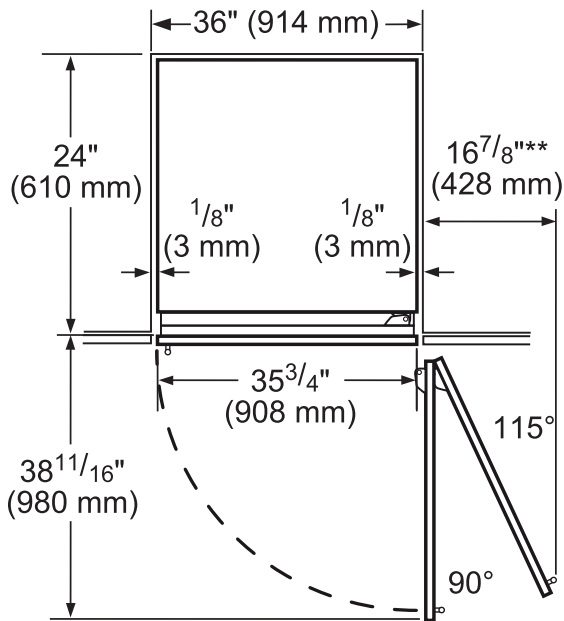
T36IB800SP

36-INCH FLUSH CUSTOM 2-DOOR BOTTOM FREEZER

FREEDOM® COLLECTION

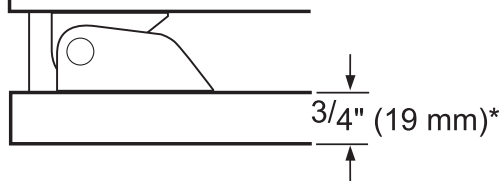


TOP VIEW CLEARANCE

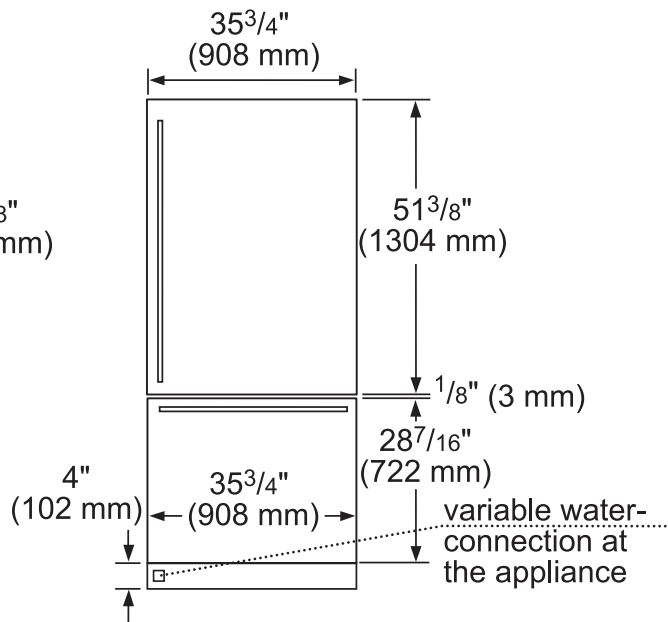
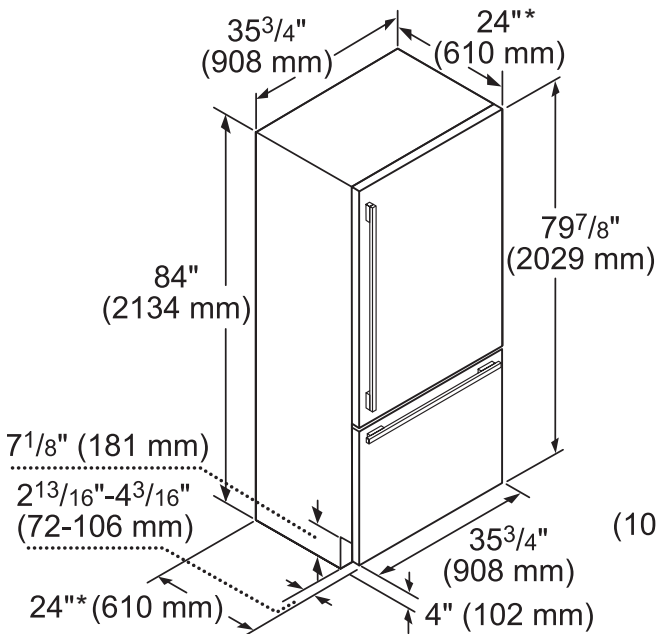


** Door handle must be added to this measurement

* Depends on the thickness of the furniture door.
 $\frac{3}{4}$ " (19 mm) refers to the stainless steel door. (special accessory).



PANEL DIMENSIONS



*Excludes thickness of door panel. If standard panel with $\frac{3}{4}$ " thickness is mounted, total depth is $24 \frac{3}{4}$ ".

These warranties give you specific legal rights and you may have other rights that vary from state to state. Full warranty and limited warranty from date of installation. For complete warranty details, refer to your Use & Care manual, or ask your dealer.

Specifications are for planning purposes only. Refer to installation instructions and consult your countertop supplier prior to making counter opening. Consult with a heating and ventilation engineer for your specific ventilation requirements. For the most detailed information, refer to installation instructions accompanying product or write to Thermador indicating the model number. Specifications are correct at time of printing. Thermador reserves the right to change product specifications or design without notice. Some models are certified for use in Canada. Thermador is not responsible for products that are transported from the U.S. for use in Canada.