



### **DWHD640JPR Stainless steel**

- Panel Ready
- Topaz 24"
- 6 Programs and 4 options
- DWHD640JPR

#### **Quality**

- Blue PowerBeam® operating indicator lets you know when the unit is running
- Dosage Assist optimizes break down of detergent tablets

#### **Performance**

- Crystal Protection™ System ensures perfect results for fine crystal
- PowerBoost® option increases temperature and pressure in the lower rack for the ultimate in heavy-duty cleaning
- Sens-A-Wash® ensures superior washing and drying guaranteed
- Extra Dry option ensures perfectly dry dishes
- Hand Wash allows you to delicately wash fine items and wine glasses
- Powerfully Quiet® - 44 dBA for peaceful kitchen experience
- ENERGY STAR® Qualified - uses only 279kWh/Yr
- Extra-Tall-Item™ Sprinkler allows large items (22" high) to be washed

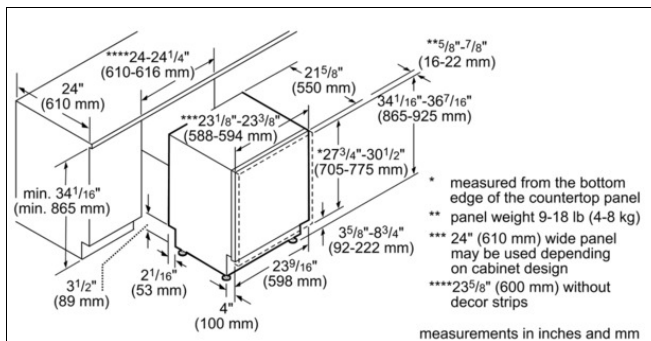
#### **Design**

- Accepts custom panel with flush installation to match kitchen cabinetry
- Stainless Steel Control Panel
- Chef's Tool Drawer® delivers added loading capacity for a range of small and large utensils
- Sleek charcoal-grey racks with height-adjustment ability for added flexibility
- Blue LED Display
- 18/10 high-grade stainless steel interior offers long-lasting reliability, never rusts and resists nicks and chips
- Accommodates 15 plate settings for your dinner parties

#### **Optional accessories**

- SGZ1010UC Drain hose extension kit
- SGZ9091UC finish salt for dishwashers
- SMZ5000 Dishwashing aid set
- SMZ5002UC Silverware box

825225900122

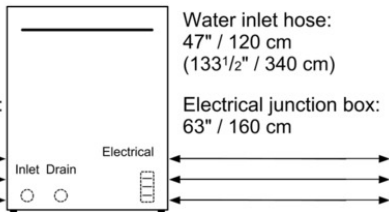


Drain hose:  
63" / 160 cm  
(141 1/2" / 360 cm)

Water inlet hose:  
55" / 140 cm  
(141 1/2" / 360 cm)

Electrical junction box:  
47 1/2" / 120 cm

Front view



Drain hose:  
59" / 150 cm  
(137 1/2" / 350 cm)

Water inlet hose:  
47" / 120 cm  
(133 1/2" / 340 cm)

Electrical junction box:  
63" / 160 cm

All connections in the rear of the appliance.  
( ) values with extension kit.

## Product Features

Upper Rack: mid

Adjustable upper rack: Rackmatic 3-stage

Upper rack cup shelf: 2

Lower Rack: mid

3rd Rack: 3rd Rack 1.0

Silverware Basket: Standard

Accessories Parts: baking-sheet spray head grey

Optional accessories: DWHDZHCMD, DWHDZHCPD,  
DWHDZJCMD, DWHDZJCPD, SGZ1010UC, SGZ9091UC,  
SMZ5000, SMZ5002UC

## Consumption and connection features

UPC code: 825225900122

Variant color:

Panel ready: Yes

Alternative colors available:

Silence level (dBA): 44

Watts (W): 1300

Current (A): 12

Volts (V): 120

Frequency (Hz): 60

Energy Consumption (kWh/yr): 279

Energy Star® qualified: Yes

Plug type: 120V-3 prong

Required cutout size (HxWxD) (in): 34 1/16" x 24" x 24"

Required cutout size (HxWxD) (mm): 865 x 610 x 610

Overall appliance dimensions (HxWxD) (in): 34 1/16" x 23 9/16" x 21 5/8"

Power cord length (in): 47 1/4"

Power cord length (cm): 120.0

Length outlet hose (in): 55 1/8"

Length outlet hose (cm): 170

Length inlet hose (in): 55 1/8"

Length inlet hose (cm): 140

Product packaging dimensions (HxWxD) (in): 36 7/16" x 26" x 26 3/4"

Tube material: Stainless steel

Tube type: TallTub

ADA Compliant: No

Number of place settings: 14

2013-07-12