

DWHD651JFP Stainless steel

- Professional Handle and Fully Flush Stainless Steel Panel
- Star-Sapphire 24"
- 6 Programs and 5 options
- DWHD651JFP

Quality

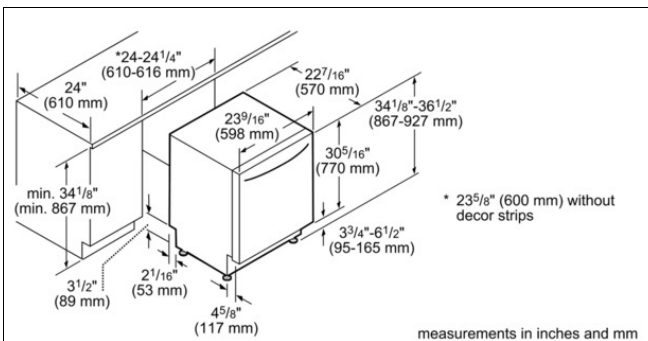
- Star Speed™ is a full wash cycle in just 20 minutes
- Largest Wine Glass Capacity- 18 large wine glasses
- Piezo Touch Control communicates slick design and performance
- Time Remaining PowerBeam® shines the actual remaining time of the cycle on the floor
- Sapphire Glow™ internal light illuminates glassware
- Blue PowerBeam® operating indicator lets you know when the unit is running
- Flexible 3rd Rack delivers added loading capacity as well as adjustability to accommodate larger items, wider ends and utensil handles
- Flexible Folding Tines fold down to accommodate larger pots, pans and dishes and add flexibility to hold items twice as wide as standard models and significantly wider than competitors
- Dosage Assist optimizes break down of detergent tablets

Performance

- Crystal Protection™ System ensures perfect results for fine crystal
- PowerBoost® option increases temperature and pressure in the lower rack for the ultimate in heavy-duty cleaning
- Sens-A-Wash® ensures superior washing and drying guaranteed
- Extra Dry option ensures perfectly dry dishes
- Hand Wash allows you to delicately wash fine items and wine glasses
- Powerfully Quiet® - 44 dBA for peaceful kitchen experience
- ENERGY STAR® Qualified - uses only 260kWh/Yr
- Extra-Tall-Item™ Sprinkler allows large items (22" high) to be washed

Design

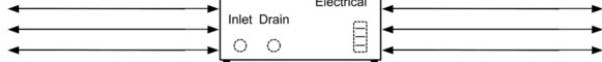
- Professional Handle
- Stainless Steel Control Panel
- Sleek charcoal-grey racks with height-adjustment ability for added flexibility



Drain hose:
63" / 160 cm
(141 1/2" / 360 cm)

Water inlet hose:
55" / 140 cm
(141 1/2" / 360 cm)

Electrical junction box:
47 1/2" / 120 cm



All connections in the rear of the appliance.
() values with extension kit.

Drain hose:
59" / 150 cm
(137 1/2" / 350 cm)

Water inlet hose:
47" / 120 cm
(133 1/2" / 340 cm)

Electrical junction box:
63" / 160 cm

Product Features

Upper Rack: high

Adjustable upper rack: Rackmatic 3-stage

Upper rack cup shelf: 2

Lower Rack: high

Lower rack cup shelf: 2

3rd Rack: 3rd Rack 2.0

Silverware Basket: Standard

Accessories Parts: baking-sheet spray head grey

Optional accessories: SGZ1010, SGZ9091UC, SMZ2014, SMZ5000, SMZ5002

Consumption and connection features

UPC code: 825225900290

Variant color: Stainless steel

Panel ready: No

Alternative colors available:

Silence level (dBA): 44

Watts (W): 1300

Current (A): 12

Volts (V): 120

Frequency (Hz): 60

Energy Consumption (kWh/yr): 260

Energy Star® qualified: Yes

Plug type: 120V-3 prong

Required cutout size (HxWxD) (in): 34 1/8" x 24" x 24"

Required cutout size (HxWxD) (mm): 867 x 610 x 610

Overall appliance dimensions (HxWxD) (in): 34 1/8" x 23 9/16" x 22 7/16"

Power cord length (in): 47 1/4"

Power cord length (cm): 120.0

Length outlet hose (in): 55 1/8"

Length outlet hose (cm): 170

Length inlet hose (in): 55 1/8"

Length inlet hose (cm): 140

Product packaging dimensions (HxWxD) (in): 36 13/16" x 26" x 28"

Tub material: Stainless steel

Tub type: TallTub

ADA Compliant: No

Number of place settings: 14

2013-07-12