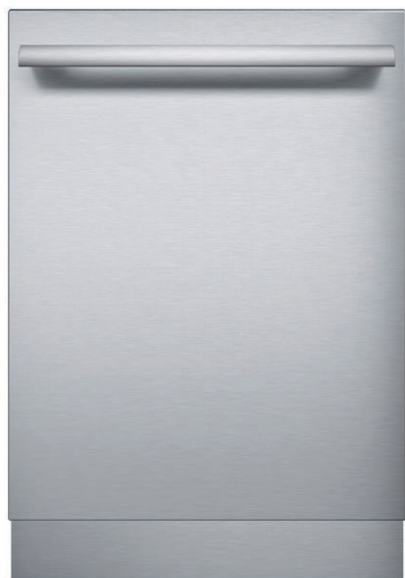


DWHD860RFM

STAR SAPPHIRE® 8-PROGRAM DISHWASHER

MASTERPIECE® SERIES HANDLE



Also Available In:
 (DWHD860RFP) - Flat Stainless Steel Panel
 with Professional Series Handle
 (DWHD860RPR) - Custom Panel

FEATURES & BENEFITS

- ★ - Entertainer's Drawer (3rd Rack) – provides the ultimate flexibility in cleaning your culinary kitchen tools
- ★ - Star Glow light illuminates your dishwasher with 3 levels of Sapphire Blue and introducing 3 levels of sparkling white light
 - Premium Control Panel: Capacitive Touch offering the ultimate in design to match your complete Thermador kitchen
- ★ - Wine Caddy Accessory – providing ultimate peace of mind when washing even your most delicate wine glasses
- ★ - Star Speed® is a full wash cycle in just 20 minutes – industry fastest hot water wash
 - Time remaining PowerBeam® shines the actual remaining time of the cycle on the floor

ACCESSORIES (OPTIONAL)

| | |
|---|-----------|
| Dishwasher Softener Salt (4.4 lbs) | SGZ9091UC |
| Dishwasher Supply and Drainage Hose Extension 76 3/4" | SGZ1010 |
| Dishwasher Accessory Kit | SMZ5000 |
| Fine Silverware Carafe | SMZ5002UC |



Accessory Kit includes Extra-Tall-Item Sprinkler, Vase / Bottle Holder, 3 Plastic Item Clips and Small Item Basket



Fine Silverware Carafe

★ THERMADOR® EXCLUSIVE

GENERAL PROPERTIES

| | |
|---------------------------|----------------------|
| Number Of Wash Cycles | 8 |
| Number Of Options | 6 |
| dBA | 44 |
| Third Rack | Entertainer's Drawer |
| Rack Adjustability | Rackmatic 3-Stage |
| Tub Material | Stainless Steel |
| Control Type | Touch Controls |
| Concealed Heating Element | Yes |
| Leak Protection System | 24/7 AquaStop® Plus |
| Water Softener | Yes |
| Five-Level Wash | Yes |
| Childlock | No |

EFFICIENCY

| | |
|---------------------------------------|---------|
| Water Usage Per Cycle (g) | 2.9 g |
| Energy Efficiency Class | Tier 1 |
| ENERGY STAR® Qualified | Yes |
| Total Annual Energy Consumption (kWh) | 269 kWh |
| Total Annual Water Consumption (g) | 623.5 g |

CAPACITY

| | |
|--------------------------|----|
| Number Of Place Settings | 15 |
|--------------------------|----|

TECHNICAL DETAILS

| | |
|-----------------------------------|---------|
| Watts (W) | 1440 W |
| Current (A) | 12 A |
| Volts (V) | 120 V |
| Frequency (Hz) | 60 Hz |
| Power Cord Length (in) | 47 1/4" |
| Minimum Water Pressure (lb/sin) | 7 |
| Max. Temperature for Water Intake | 140° F |
| Length Inlet Hose (in) | 55 1/8" |
| Length Outlet Hose (in) | 55 1/8" |

DIMENSIONS & WEIGHT

| | |
|---|--------------------------------|
| Overall Appliance Dimensions (HxWxD) (in) | 34 1/16" x 23 9/16" x 22 9/16" |
| Required Cutout Size (H*xWxD) (in) | 34 1/16" x 24" x 24" |
| Adjustable Feet | Yes |
| Net Weight (lbs) | 105 lbs |

ACCESSORIES (INCLUDED)

Extra Tall Item Sprinkler, Wine Caddy

WARRANTY

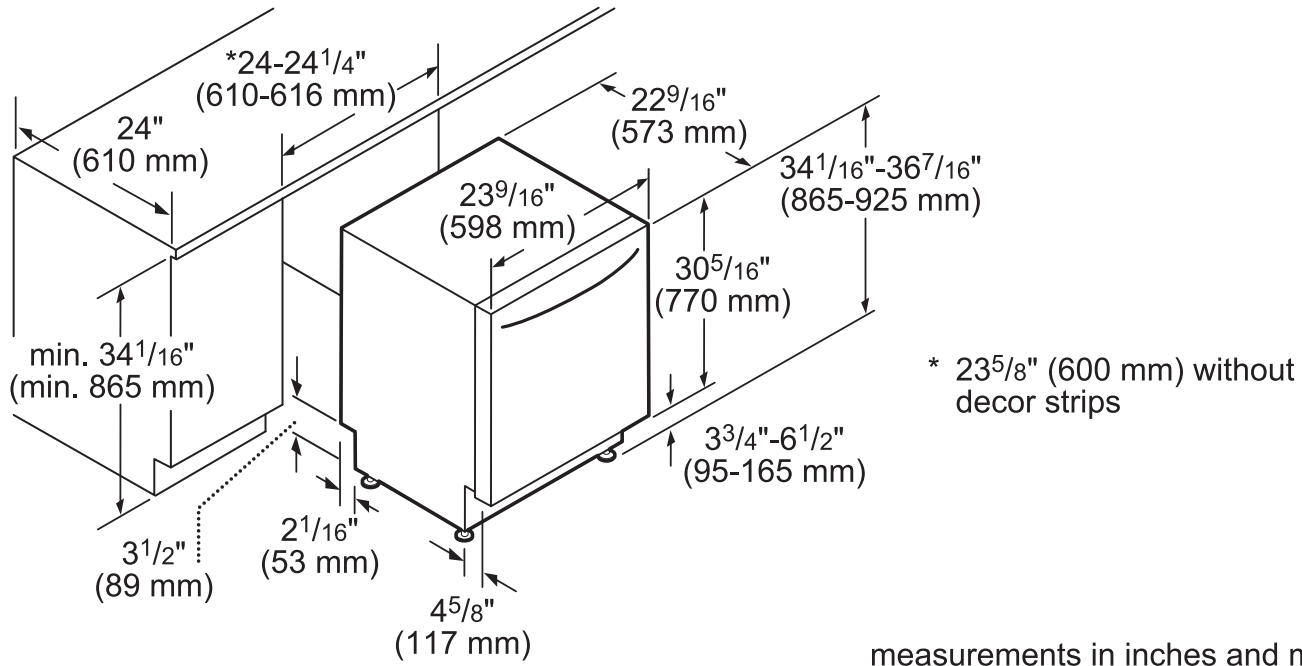
| | |
|---|-----------------|
| Limited Warranty, Entire Appliance, Parts and Labor | 2 Year |
| Limited Warranty for Microprocessor or Printed Circuit Board; Parts Only | 3rd to 5th Year |
| Limited Warranty for Racks (Does Not Include Rack Components); Parts Only | 3rd to 5th Year |
| Limited Warranty for Rust-through On Inner Tub Liner; Parts Only | Lifetime |

*minimum height requirement

DWHD860RFM
STAR SAPPHIRE® 8-PROGRAM DISHWASHER
MASTERPIECE® SERIES HANDLE



DISHWASHER & CUTOUT DIMENSIONS



Drain hose:
63" (160 cm)

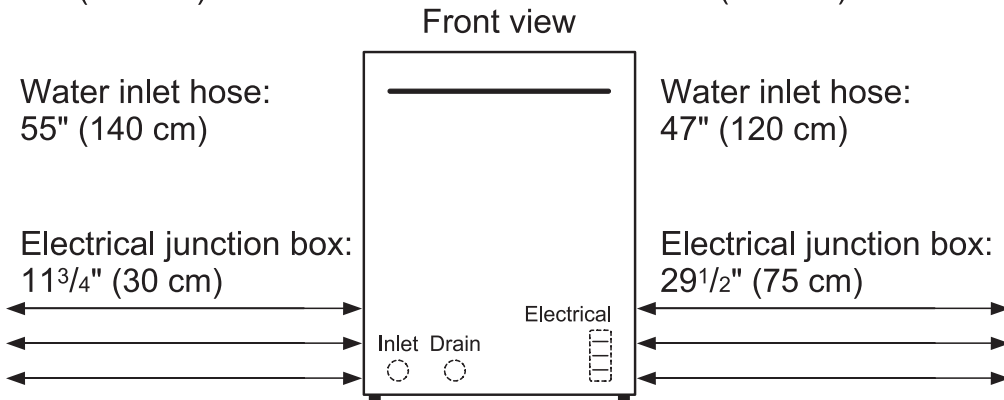
Drain hose:
59" (150 cm)

Water inlet hose:
55" (140 cm)

Water inlet hose:
47" (120 cm)

Electrical junction box:
11³/₄" (30 cm)

Electrical junction box:
29¹/₂" (75 cm)



All connections are at the rear of the appliance.
 Extension for drain hose available as accessory.
 Power cord for connection to electrical outlet (3-prong plug)
 available as accessory.

These warranties give you specific legal rights and you may have other rights that vary from state to state. Full warranty and limited warranty from date of installation. For complete warranty details, refer to your Use & Care manual, or ask your dealer.

Specifications are for planning purposes only. Refer to installation instructions and consult your countertop supplier prior to making counter opening. Consult with a heating and ventilation engineer for your specific ventilation requirements. For the most detailed information, refer to installation instructions accompanying product or write to Thermador indicating the model number. Specifications are correct at time of printing. Thermador reserves the right to change product specifications or design without notice. Some models are certified for use in Canada. Thermador is not responsible for products that are transported from the U.S. for use in Canada.