



ELECTRIC COOKTOPS MASTERPIECE® SERIES

Excellent performance, precise control and a sleek elegant profile are just a few of the benefits of these re-engineered electric cooktops. Our 13-inch element is the industry's largest and most powerful electric round element, and our CookSmart® system offers nine pre-programmed settings to effortlessly cook a wide range of foods. With a variety of state-of-the-art features, Masterpiece® Series Electric Cooktops allow you to elevate your cooking to levels never imagined.

ELECTRIC COOKTOPS FEATURES & BENEFITS



★ LARGEST ELECTRIC ELEMENT ON THE MARKET

This huge element is the widest and most powerful round electric element on the market, with 4,000 watts of power for faster heat-up and three zones to efficiently heat a variety of pot sizes, such as a 16" skillet (e.g. accessory CHEFSPAN13-16" pan which fits perfectly on the 13" element).

★ COOKSMART®

Never guess cooking time or temperature again. With 9 pre-programmed modes and auto shut-off, you'll get perfect results every time you cook. Cooking modes: pasta, potatoes, rice, dumplings, vegetables, sausages, milk, rice pudding, and deep frying.



★ BRIDGE ELEMENT

Only Thermador offers a bridge element that incorporates a dual-zone element. Use the bridge element to heat oblong pans and the dual-zone element to heat pans of different diameters.



TOUCH CONTROL

The handsome control panel gives you immediate access to 17 power settings, a keep warm, fast preheat and a panel lock function.

ELECTRIC COOKTOPS PLANNING INFORMATION

MODEL OPTIONS

There are two sizes of Masterpiece® Electric Cooktops to choose from—30-inch and 36-inch. Models are available with mechanical controls and touch controls in a variety of cooktop configurations to fit your client’s cooking style. Be sure to reference the correct model information in this design guide.

INSTALLATION CONSIDERATIONS

The information in this design guide provides key features, product dimensions, cutouts and installation specifications. Before installing a Thermador Masterpiece® Electric Cooktop, be sure to verify the cutout dimensions and electrical connections. Also, always consult with the installation manual packed with the product for complete details before installing.

Thermador Masterpiece® Electric Cooktops may be installed above a Thermador Single Built-in Oven as long as there is no contact between the bottom of the cooktop and the top of the oven. **See below for approved cooktop over oven installation.**

| MODEL | APPROVED COOKTOP OVER THERMADOR OVEN INSTALLATION |
|----------|---|
| CEM304NS | • |
| CET304NS | • |
| CEM365NS | • |
| CET365NS | • |
| CET366NS | • |

Cooktops that are not listed above, must be approved under local code and / or by the local authority having jurisdictions.

Thermador Masterpiece® Electric Cooktops may also be installed above a Thermador Warming Drawer to create a convenient cooking center. Refer to the warming drawer section for additional specifications.

Solid surface countertops require a special cutout size and installation. For example, heat reflective tape or rounded corners may be necessary. Contact the countertop manufacturer for instructions specific to your countertop.

We strongly recommend the installation of a Thermador Ventilation System with all Masterpiece® Electric Cooktops. Refer to the ventilation section for specifications.

WARRANTY

Limited warranty parts and labor (2 year)



Limited warranty for glass ceramic surface / electronic elements and switches; Parts only (2nd to 5th year)

See page 298 for additional warranty details.

ELECTRICAL SPECIFICATIONS

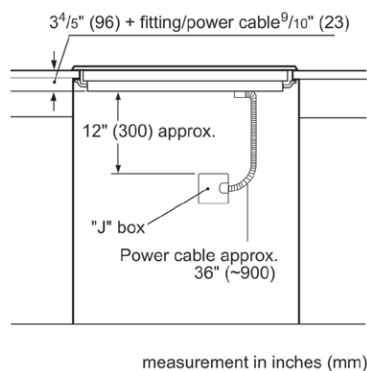
Be sure your appliance is properly installed and grounded by a qualified technician. Installation, electrical connections and grounding must comply with all applicable local codes.

All Thermador Electric Cooktops are dual rated, designed to be connected to either 240/208V AC, 60 Hz, 3-wire, single-phase power supply.

Install a suitable conduit box (not furnished). An appropriately-sized, UL-listed conduit connector must be used to correctly attach the conduit to the junction box.

| MODEL | REQUIRED CIRCUIT BREAKER | |
|----------|--------------------------|---------------------|
| | 240V, 3-Wire, 60 Hz | 208V, 3-Wire, 60 Hz |
| CEM304NS | 40 Amp | 30 Amp |
| CET304NS | 30 Amp | 30 Amp |
| CEM365NS | 50 Amp | 40 Amp |
| CET365NS | 50 Amp | 40 Amp |
| CET366NS | 50 Amp | 40 Amp |

IMPORTANT: Local Codes may vary; installation, electrical connections and grounding must comply with all applicable local codes. If required by the National Electrical Code (or Canadian Electrical Code), this appliance must be installed on a separate branch circuit.

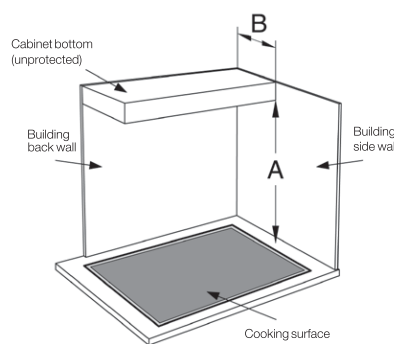


ELECTRICAL LOCATION

The junction box must be located within 3 feet (~900 mm) of the cooktop connection. It should be easily accessible for service purposes.

CABINET REQUIREMENTS

The distance from the top of the cooktop to the bottom of the cabinets above it must be A = 30" (762 mm) minimum. This distance can be reduced to A = 24" (610 mm) when the bottom of the wood or metal cabinet is protected by not less than 1/4" (6.35 mm) flame retardant millboard, covered by no. 28 steel sheet 0.015 (.4 mm) thick stainless steel, 0.024" (0.6 mm) aluminum, or 0.020" (0.5 mm) thick copper, at a minimum. Verify that the cabinets above the cooktop are a maximum of B = 13" (330 mm) deep.



COOKTOPS 30-INCH ELECTRIC

CEM304NS



MASTERPIECE®

CEM304NS

Mechanical Controls

CEM304NS

PERFORMANCE

- Dual element offers the capability to use multiple pan sizes
- Cooktop indicates when elements are still hot

DESIGN

- Heavy-duty, high quality metal knobs
- Chiseled, angular design coordinates with the suite of Thermador Masterpiece® Collection appliances
- Full stainless steel frame
- Trapezoid design control panel

SPECIFICATIONS

| | |
|-------------------------------------|---------------------------|
| Total Number of Cooktop Elements | 4 |
| Product Width | 31" |
| Product Depth | 21 1/4" |
| Cutout Width | 28 3/4" – 28 7/8" |
| Cutout Height | 3 15/16" |
| Minimum Air Clearance | 1/4" |
| Cutout Depth | 19 7/8" – 20" |
| Minimum Distance from Counter Front | 2 1/4" |
| Minimum Distance from Rear Wall | 2 3/4" |
| Left Front Element | 6" @ 1,200 W |
| Right Front Element | 7" @ 1,800 W |
| Left Rear Element | 6" / 9" @ 1,300 / 3,100 W |
| Right Rear Element | 5" / 8" @ 750 / 2,200 W |
| Center Element | N/A |
| Electrical Supply | 240/208V AC, 60 Hz |
| Required Circuit Breaker | 40 Amp / 30 Amp |
| Conduit | 3/8" Flexible 3-Wire |
| Shipping Weight (lbs.) | 34 |

INSTALLATION OPTIONS

INSTALLATION ABOVE A WALL OVEN OR WARMING DRAWER

Thermador Masterpiece® Electric Cooktops may be installed above a Thermador Single Built-in Oven as long as there is no contact between the bottom of the cooktop and the top of the oven.

Thermador Masterpiece® Electric Cooktops may also be installed above a Thermador Warming Drawer to create a convenient cooking center. Refer to the warming drawer section for additional specifications.

IMPORTANT

We strongly recommend the installation of a Thermador Ventilation System with all Masterpiece® Electric Cooktops.

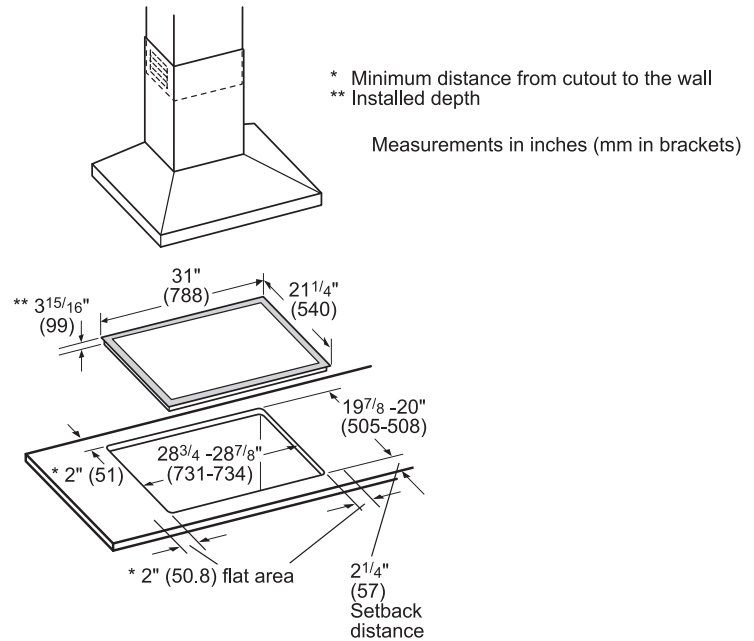
Seal the surfaces of the cutout to make them heat resistant. This prevents the surfaces from expanding as a result of humidity.

Solid surface countertops require a special cutout and installation. For example, heat reflective tape or rounded corners may be necessary. Contact the countertop manufacturer for instructions specific to your countertop.

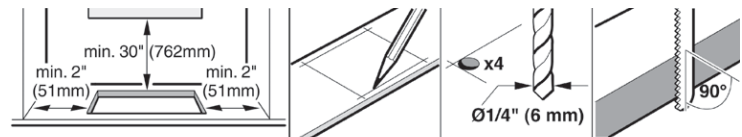
WARNING

To reduce the risk of ignition of nearby combustible materials, install the countertop with a minimum distance of 2" (51 mm) from both side walls and the back wall.

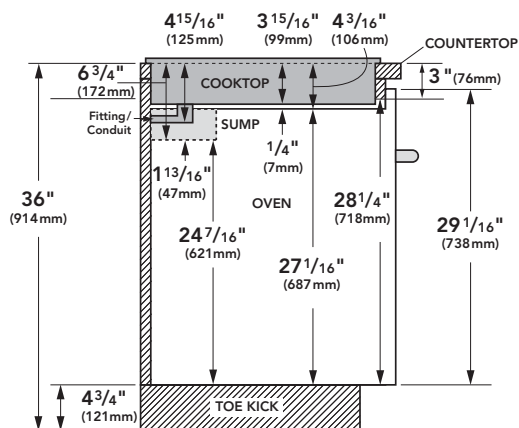
30-INCH ELECTRIC COOKTOP AND CUTOUT DIMENSIONS



COUNTERTOP REQUIREMENTS



INSTALLATION ABOVE A THERMADOR BUILT-IN OVEN



Note: Dimensions based on standard countertop height (36" with 4 3/4" toe kick including base plate).

The built-in oven can be installed below the electric cooktop as long as there is no contact between the bottom of the cooktop and the top of the oven.

Sump applies to 30-inch Wall Ovens only.

COOKTOPS 30-INCH ELECTRIC

CET304NS



MASTERPIECE®

CET304NS

Touch Controls, CookSmart®

SPECIFICATIONS

| | |
|-------------------------------------|---|
| Total Number of Cooktop Elements | 4 |
| Product Width | 31" |
| Product Depth | 21 1/4" |
| Cutout Width | 28 3/4" – 28 7/8" |
| Cutout Height | 3 15/16" |
| Minimum Air Clearance | 1/4" |
| Cutout Depth | 19 7/8" – 20" |
| Minimum Distance from Counter Front | 2 1/4" |
| Minimum Distance from Rear Wall | 2 3/4" |
| Left Front Element | 6" @ 1,200 W |
| Right Front Element | 5" / 7" @ 700 / 1,700 W |
| Left Rear Element | 6" / 8" / 11" @ 1,050 / 2,200 / 3,080 W |
| Right Rear Element | 7" @ 1,800 W |
| Center Element | N/A |
| Electrical Supply | 240/208V AC, 60 Hz |
| Required Circuit Breaker | 30 Amp / 30 Amp |
| Conduit | 38" Flexible 3-Wire |
| Shipping Weight (lbs.) | 36 |

CET304NS

INNOVATION

- ★ - CookSmart® feature – 9 pre-programmed cooking modes

PERFORMANCE

- Triple and dual elements offers the capability to use multiple pan sizes
- Auto Shut-Off Timer enables the user to set desired cooking time
- Keep Warm function allows meals to remain ready to serve
- Fast Preheat mode – accelerates the heating process – for quicker results
- Child safety lock
- 2-level digital control panel indicates when elements are still hot

DESIGN

- Touch control panel with blue light illumination offers 17 power settings
- Chiseled, angular design coordinates with the suite of Thermador Masterpiece® Collection appliances
- Full stainless steel frame
- Trapezoid design control panel

★ THERMADOR EXCLUSIVE

ACCESSORIES



SENSORPOT7
7" Ceramic Pot with Glass Lid



SENSORSTRP
Additional stickers for non-enameled and non-sensor cookware

INSTALLATION OPTIONS

INSTALLATION ABOVE A WALL OVEN OR WARMING DRAWER

Thermador Masterpiece® Electric Cooktops may be installed above a Thermador Single Built-in Oven as long as there is no contact between the bottom of the cooktop and the top of the oven.

Thermador Masterpiece® Electric Cooktops may also be installed above a Thermador Warming Drawer to create a convenient cooking center. Refer to the warming drawer section for additional specifications.

IMPORTANT

We strongly recommend the installation of a Thermador Ventilation System with all Masterpiece® Electric Cooktops.

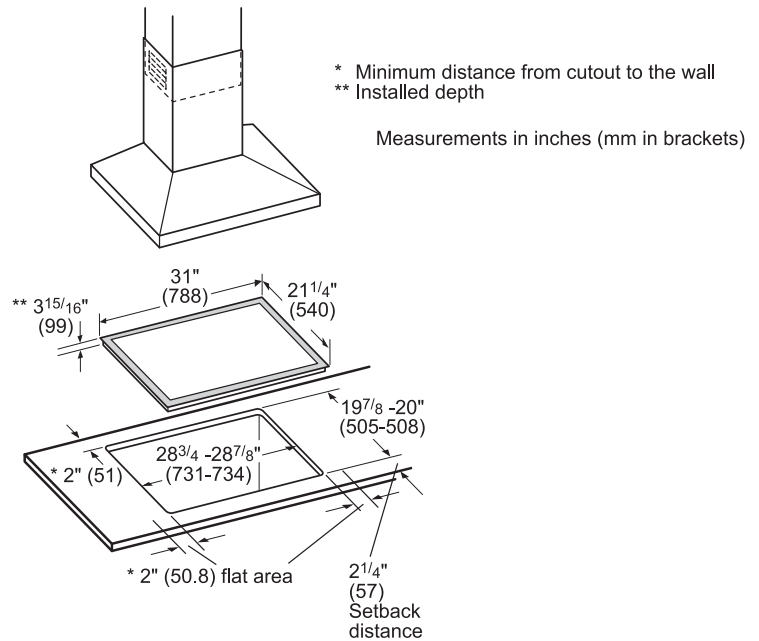
Seal the surfaces of the cutout to make them heat resistant. This prevents the surfaces from expanding as a result of humidity.

Solid surface countertops require a special cutout and installation. For example, heat reflective tape or rounded corners may be necessary. Contact the countertop manufacturer for instructions specific to your countertop.

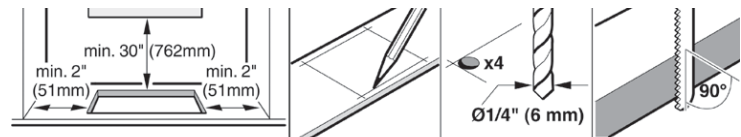
WARNING

To reduce the risk of ignition of nearby combustible materials, install the countertop with a minimum distance of 2" (51 mm) from both side walls and the back wall.

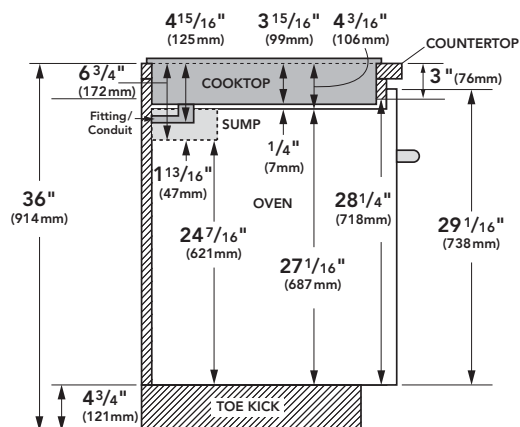
30-INCH ELECTRIC COOKTOP AND CUTOUT DIMENSIONS



COUNTERTOP REQUIREMENTS



INSTALLATION ABOVE A THERMADOR BUILT-IN OVEN



Note: Dimensions based on standard countertop height (36" with 4 3/4" toe kick including base plate).

The built-in oven can be installed below the electric cooktop as long as there is no contact between the bottom of the cooktop and the top of the oven.

Sump applies to 30-inch Wall Ovens only.

COOKTOPS 36-INCH ELECTRIC

CEM365NS



MASTERPIECE®

CEM365NS

Mechanical Controls

CEM365NS

PERFORMANCE

- Dual element offers the capability to use multiple pan sizes
- 2-level digital control panel indicates when elements are still hot

DESIGN

- Heavy-duty, high quality metal knobs
- Full stainless steel frame
- Trapezoid design control panel

SPECIFICATIONS

| | |
|-------------------------------------|---------------------------|
| Total Number of Cooktop Elements | 5 |
| Product Width | 37" |
| Product Depth | 21 1/4" |
| Cutout Width | 34 3/4"–34 7/8" |
| Cutout Height | 3 15/16" |
| Minimum Air Clearance | 1/4" |
| Cutout Depth | 19 7/8"–20" |
| Minimum Distance from Counter Front | 2 1/4" |
| Minimum Distance from Rear Wall | 2 3/4" |
| Left Front Element | 5" / 8" @ 750 / 2,200 W |
| Right Front Element | 7" @ 1,800 W |
| Left Rear Element | 6" @ 1,200 W |
| Right Rear Element | 7" @ 1,800 W |
| Center Element | 6" / 9" @ 1,300 / 3,100 W |
| Electrical Supply | 240/208V AC, 60 Hz |
| Required Circuit Breaker | 50 Amp / 40 Amp |
| Conduit | 3/8" Flexible 3-Wire |
| Shipping Weight (lbs.) | 39 |

INSTALLATION OPTIONS

INSTALLATION ABOVE A WALL OVEN OR WARMING DRAWER

Thermador Masterpiece® Electric Cooktops may be installed above a Thermador Single Built-in Oven as long as there is no contact between the bottom of the cooktop and the top of the oven.

Thermador Masterpiece® Electric Cooktops may also be installed above a Thermador Warming Drawer to create a convenient cooking center. Refer to the warming drawer section for additional specifications.

IMPORTANT

We strongly recommend the installation of a Thermador Ventilation System with all Masterpiece® Electric Cooktops.

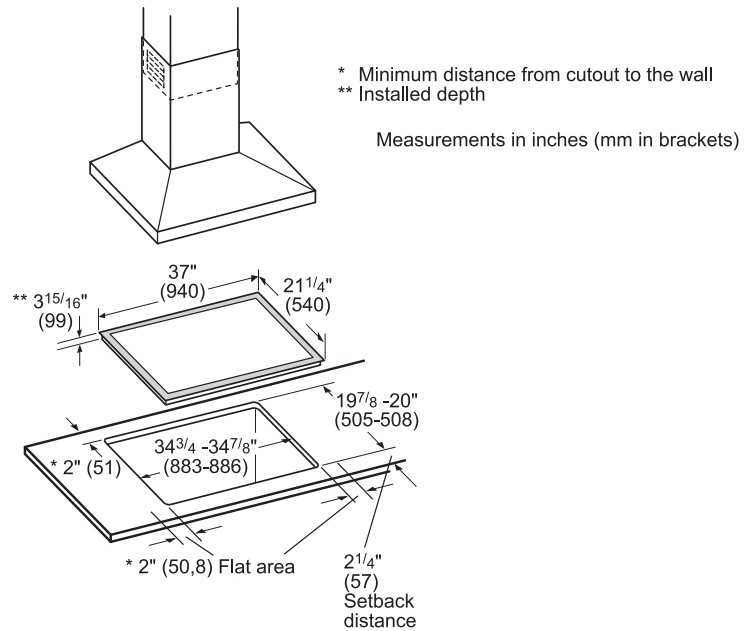
Seal the surfaces of the cutout to make them heat resistant. This prevents the surfaces from expanding as a result of humidity.

Solid surface countertops require a special cutout and installation. For example, heat reflective tape or rounded corners may be necessary. Contact the countertop manufacturer for instructions specific to your countertop.

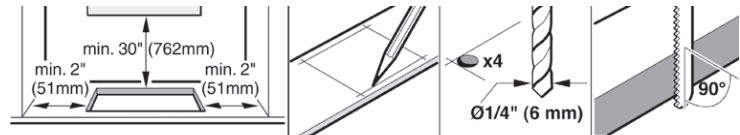
WARNING

To reduce the risk of ignition of nearby combustible materials, install the countertop with a minimum distance of 2" (51 mm) from both side walls and the back wall.

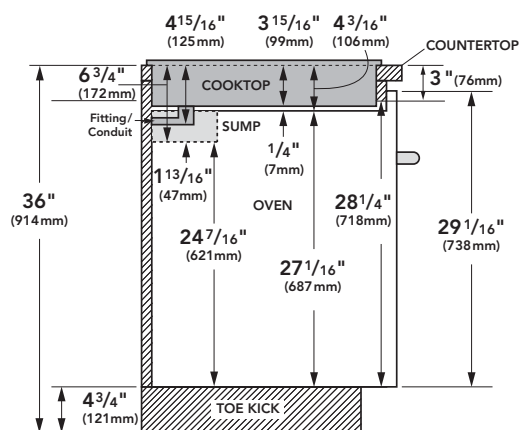
36-INCH ELECTRIC COOKTOP AND CUTOUT DIMENSIONS



COUNTERTOP REQUIREMENTS



INSTALLATION ABOVE A THERMADOR BUILT-IN OVEN



Note: Dimensions based on standard countertop height (36" with 4 3/4" toe kick including base plate).

The built-in oven can be installed below the electric cooktop as long as there is no contact between the bottom of the cooktop and the top of the oven.

Sump applies to 30-inch Wall Ovens only.

COOKTOPS

36-INCH ELECTRIC

CET365NS / CET366NS



MASTERPIECE®

CET365NS

Touch Controls, CookSmart®



MASTERPIECE®

CET366NS

Touch Controls, CookSmart®

SPECIFICATIONS

| | CET365NS | CET366NS |
|-------------------------------------|--|--------------------------------------|
| Total Number of Cooktop Elements | 5 | 6 |
| Product Width | 37" | |
| Product Depth | 21 1/4" | |
| Cutout Width | 34 3/4"–34 7/8" | |
| Cutout Height | 3 15/16" | |
| Minimum Air Clearance | 1/4" | |
| Cutout Depth | 19 7/8"–20" | |
| Minimum Distance from Counter Front | 2 1/4" | |
| Minimum Distance from Rear Wall | 2 3/4" | |
| Left Front Element | 5" / 7" @ 700 / 1,700 W | 5" / 8" @ 750 / 2,200 W |
| Right Front Element | 5" / 8" @ 750 / 2,200 W | 5" / 7" @ 700 / 1,700 W |
| Left Rear Element | 5" / 7" @ 700 / 1,700 W | 6" @ 1,200 W |
| Right Rear Element | 6" @ 1,200 W | 7" @ 1,700 W (600 W Bridge) |
| Center Element | 8" / 11" / 13" @ 2,000 / 3,000 / 4,000 W | 5" / 7" / 9" @ 800 / 1,600 / 2,500 W |
| Electrical Supply | 240/208V AC, 60 Hz | |
| Required Circuit Breaker | 50 Amp / 40 Amp | |
| Conduit | 38" Flexible 3-Wire | |
| Shipping Weight (lbs.) | 43 | |

ACCESSORIES



SENSORPOT7
7" Ceramic Pot with Glass Lid
(CET366NS Only)



CHEFSPAN13
16" Round Skillet
(CET365NS Only)



SENSORSTRP
Additional stickers for non-enameled and non-sensor cookware

CET365NS

INNOVATION

- ★ - CookSmart® feature – 9 pre-programmed cooking modes
- ★ - Largest (13") and most powerful (4,000 W) round heating element on the market

PERFORMANCE

- Triple element offers the capability to use multiple pan sizes
- Dual element offers the capability to use multiple pan sizes
- Auto Shut-Off Timer enables the user to set desired cooking time
- Fast Preheat mode – accelerates the heating process – for quicker results
- Keep Warm function allows meals to remain ready to serve
- 2-level digital control panel indicates when elements are still hot

DESIGN

- Touch control panel with blue light illumination offers 17 power settings
- Full stainless steel frame
- Trapezoid design control panel

★ THERMADOR EXCLUSIVE

CET366NS

INNOVATION

- ★ - CookSmart® feature – 9 pre-programmed cooking modes

PERFORMANCE

- Triple element offers the capability to use multiple pan sizes
- Dual zone bridge element accommodates oblong pans and multiple diameter sizes
- Auto Shut-Off Timer enables the user to set desired cooking time
- Fast Preheat mode – accelerates the heating process – for quicker results
- Keep Warm function allows meals to remain ready to serve
- 2-level digital control panel indicates when elements are still hot

DESIGN

- Touch control panel with blue light illumination offers 17 power settings
- Full stainless steel frame
- Trapezoid design control panel

INSTALLATION OPTIONS

INSTALLATION ABOVE A WALL OVEN OR WARMING DRAWER

Thermador Masterpiece® Electric Cooktops may be installed above a Thermador Single Built-in Oven as long as there is no contact between the bottom of the cooktop and the top of the oven.

Thermador Masterpiece® Electric Cooktops may also be installed above a Thermador Warming Drawer to create a convenient cooking center. Refer to the warming drawer section for additional specifications.

IMPORTANT

We strongly recommend the installation of a Thermador Ventilation System with all Masterpiece® Electric Cooktops.

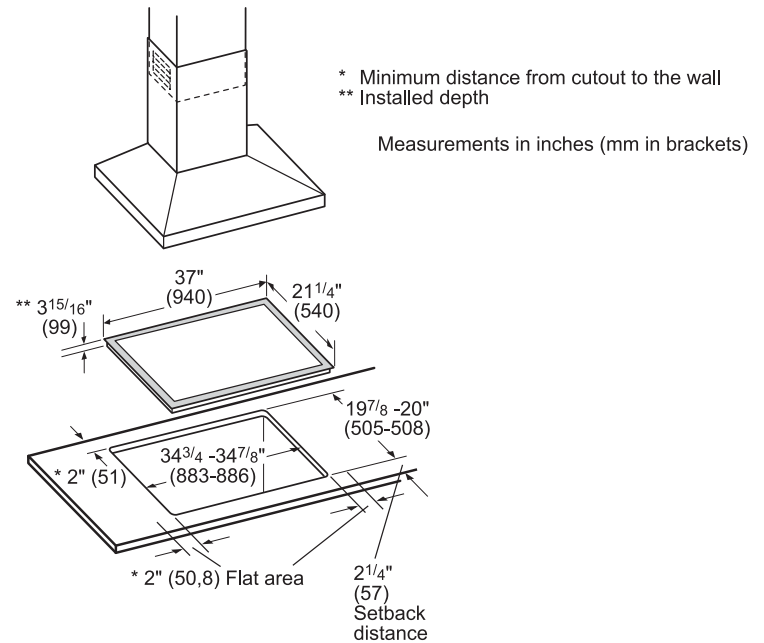
Seal the surfaces of the cutout to make them heat resistant. This prevents the surfaces from expanding as a result of humidity.

Solid surface countertops require a special cutout and installation. For example, heat reflective tape or rounded corners may be necessary. Contact the countertop manufacturer for instructions specific to your countertop.

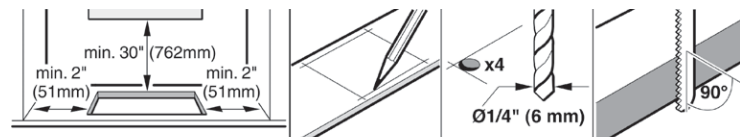
WARNING

To reduce the risk of ignition of nearby combustible materials, install the countertop with a minimum distance of 2" (51 mm) from both side walls and the back wall.

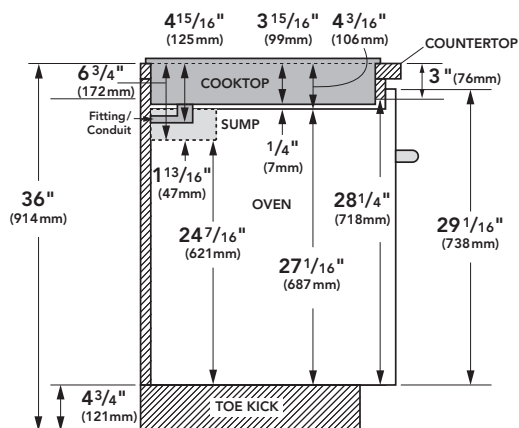
36-INCH ELECTRIC COOKTOP AND CUTOUT DIMENSIONS



COUNTERTOP REQUIREMENTS



INSTALLATION ABOVE A THERMADOR BUILT-IN OVEN



Note: Dimensions based on standard countertop height (36" with 4 3/4" toe kick including base plate).

The built-in oven can be installed below the electric cooktop as long as there is no contact between the bottom of the cooktop and the top of the oven.

Sump applies to 30-inch Wall Ovens only.

WARRANTY

PROFESSIONAL RANGES

Limited warranty, entire appliance, parts and labor (2 year)

PROFESSIONAL RANGETOPS

Limited warranty, entire appliance, parts and labor (2 year)

BUILT-IN OVENS

Limited warranty parts and labor (2 year)

INDUCTION COOKTOPS

Limited warranty, entire appliance, parts and labor (2 year)

Limited warranty for glass ceramic surface / electronic elements and switches; parts only (3rd to 5th year)

GAS COOKTOPS

Limited warranty, entire appliance, parts and labor (2 year)

ELECTRIC COOKTOPS

Limited warranty, entire appliance, parts and labor (2 year)

Limited warranty for glass ceramic surface / electronic elements and switches; parts only (3rd to 5th year)

VENTILATION

Limited warranty, entire appliance, parts and labor (2 year)

WARMING DRAWERS

Limited warranty, entire appliance, parts and labor (2 year)

MICROWAVE OVENS

Limited warranty, entire appliance, parts and labor (2 year)

REFRIGERATION

Limited two-year warranty, entire appliance, parts and labor on any part of the refrigerator that fails because of a manufacturing defect

Limited warranty for sealed refrigeration system*; parts and labor (3rd to 6th year)

Limited warranty for sealed refrigeration system*; parts only (7th to 12th year)

DISHWASHERS

Full warranty, entire appliance, parts and labor (2 year)

Limited warranty for microprocessor or printed circuit board; parts only (3rd to 5th year)

Limited warranty for racks (does not include rack components); parts only (3rd to 5th year)

Limited warranty for rust-through on inner tub liner; parts only (Lifetime)

COFFEE MACHINES

Limited warranty, entire appliance, parts and labor (2 year)

These warranties give you specific legal rights and you may have other rights that vary from state to state. Full warranty and limited warranty from date of installation. For complete warranty details, refer to your Use & Care manual, or ask your dealer.

Specifications are for planning purposes only. Refer to installation instructions and consult your countertop supplier prior to making counter opening. Consult with a heating and ventilation engineer for your specific ventilation requirements. For the most detailed information, refer to installation instructions accompanying product or write to Thermador indicating the model number. Specifications are correct at time of printing. Thermador reserves the right to change product specifications or design without notice. Some models are certified for use in Canada. Thermador is not responsible for products that are transported from the U.S. for use in Canada.

©2014 BSH Home Appliances Corporation. PDF update: 11/2014

*Sealed refrigeration system includes compressor, evaporator, condenser, dryer / strainer and connection tubing

EXPERIENCE THERMADOR®

Thermador is committed to giving you an enjoyable, creative and rewarding cooking experience. Whether you would like to research our products, watch a video of our chef searing the perfect scallop, or have questions on the use and care of your product, simply browse our online resource library at thermador.com

CONNECT WITH US

thermador.com/blog

 [facebook.com](https://www.facebook.com/thermador)

 twitter.com/thermador

 [youtube.com/thermadorhome](https://www.youtube.com/thermadorhome)

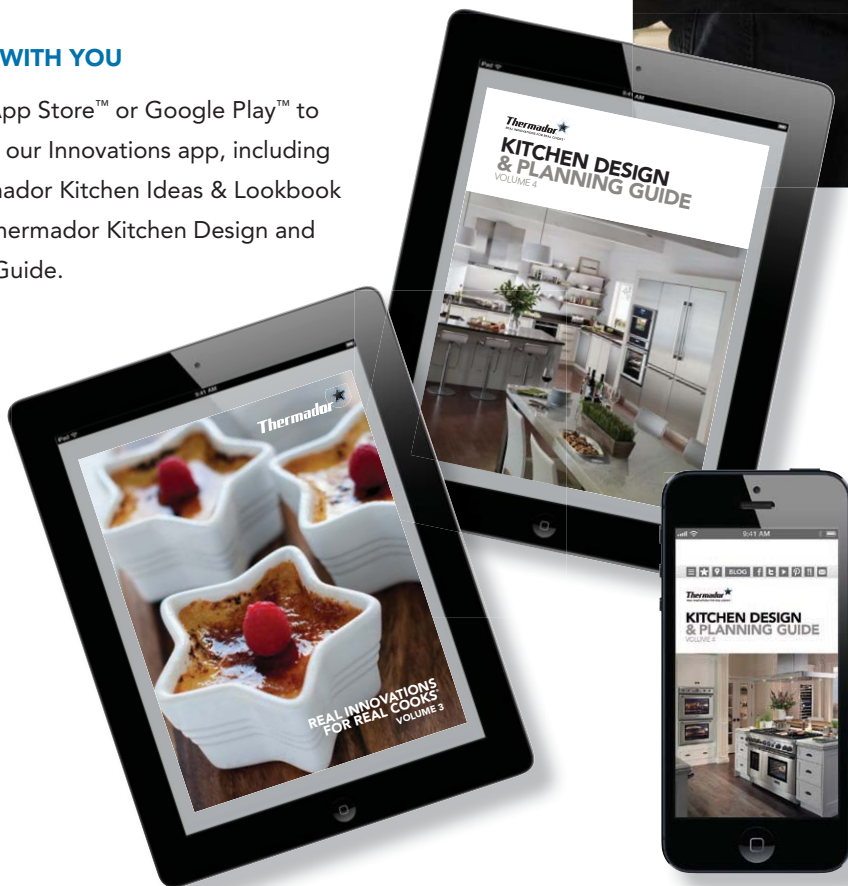
 [pinterest.com/thermador](https://www.pinterest.com/thermador)

 [instagram.com/thermadorhome](https://www.instagram.com/thermadorhome)

VISIT THE ABOVE SITES TO SHARE PHOTOS OF
YOUR NEW KITCHEN AND CREATIVE DISHES.

TAKE US WITH YOU

Visit the App Store™ or Google Play™ to download our Innovations app, including the Thermador Kitchen Ideas & Lookbook and the Thermador Kitchen Design and Planning Guide.



CUSTOMER SERVICE

For dedicated customer service on any Thermador product, please call: 1-800-735-4328 or contact us at thermador.com



1 800 735 4328

USA THERMADOR.COM
CANADA THERMADOR.CA