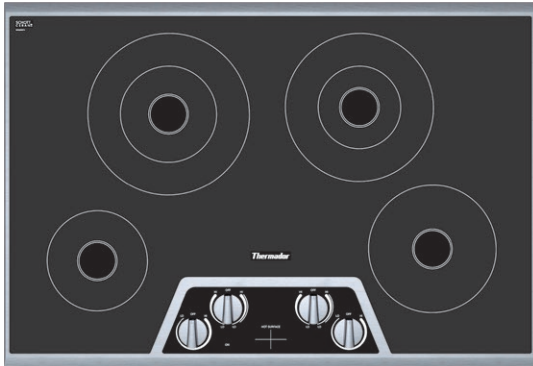


CEM304NS

30-INCH ELECTRIC COOKTOP

MASTERPIECE® SERIES



FEATURES & BENEFITS

- Dual element offers the capability to use multiple pan sizes
- Cooktop indicates when elements are still hot
- Full stainless steel frame
- Chiseled, angular design coordinates with the suite of Thermador Masterpiece® Collection appliances
- Heavy-duty, high quality metal knobs

GENERAL PROPERTIES

Controls	Metal Knobs
----------	-------------

ELEMENT PERFORMANCE

Power of Front Left Heating Element	1,200 W
Power of Back Left Heating Element	3,100 / 1,300 W
Power of Center Heating Element	N/A
Power of Back Right Heating Element	2,200 / 750 W
Power of Front Right Heating Element	1,800 W

ELEMENT SIZE

Dimension of Front Left Heating Element	6"
Dimension of Back Left Heating Element	9", 6"
Dimension of Center Heating Element	N/A
Dimension of Back Right Heating Element	8", 5"
Dimension of Front Right Heating Element	7"

TECHNICAL DETAILS

Watts (W)	8,300 W
Circuit Breaker (A)	40 / 30 A
Volts (V)	240 / 208 V
Frequency (Hz)	60 Hz
Plug Type	No Plug
Conduit	38" Flexible 3-Wire
Energy Source	Electric

DIMENSIONS & WEIGHT

Overall Appliance Dimensions (HxWxD) (in)	7/16"+3 15/16" x 31" x 21 1/4"
Required Cutout Size (HxWxD) (in)	3 15/16" x 28 3/4" x 19 7/8"
Minimum Distance From Counter Front (in)	2 1/4"
Minimum Distance From Rear Wall (in)	2 3/4"
Net Weight (lbs)	26 lbs

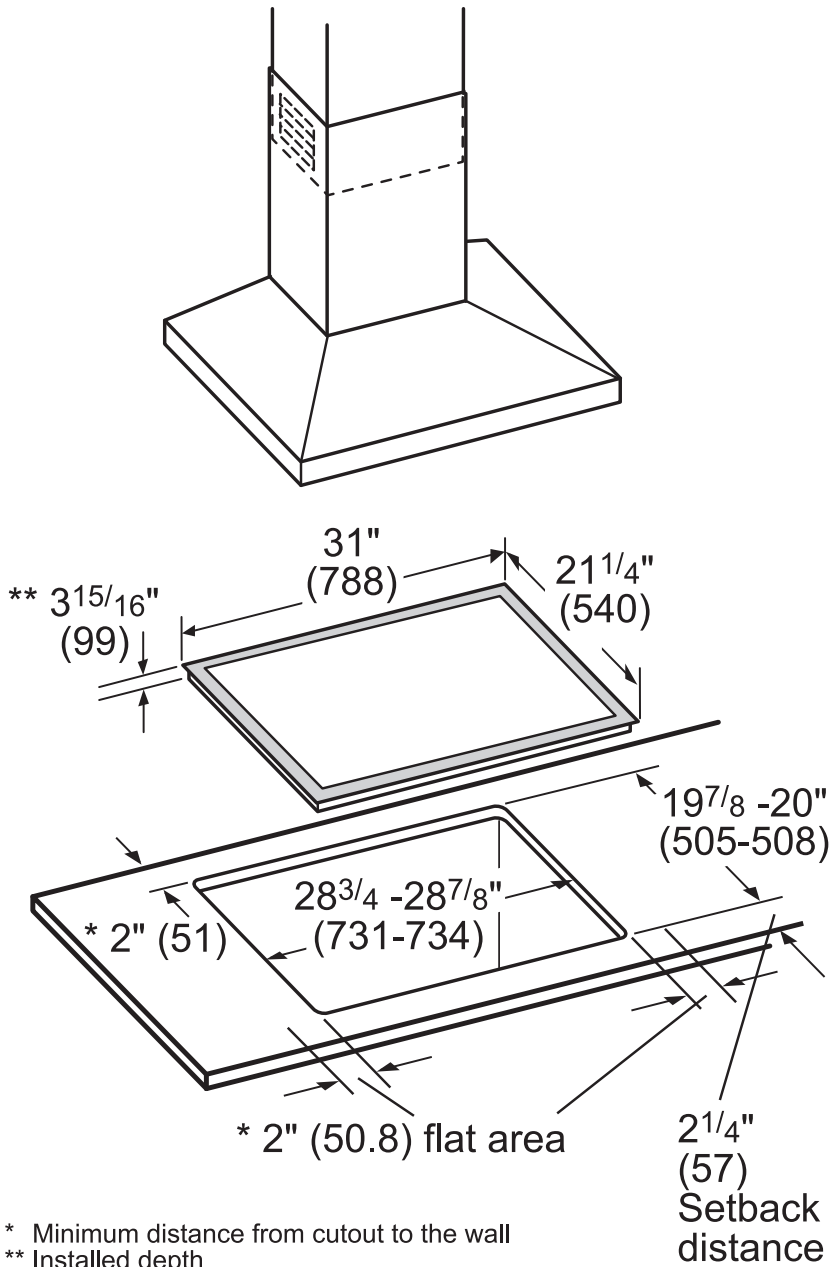
WARRANTY

Limited Warranty, Entire Appliance, Parts and Labor	2 Year
Limited warranty for glass ceramic surface / electronic elements and switches; parts only	3rd to 5th Year

CEM304NS
30-INCH ELECTRIC COOKTOP
 MASTERPIECE® SERIES



30-INCH ELECTRIC COOKTOP AND CUTOUT DIMENSIONS



Measurements in inches (mm in brackets)

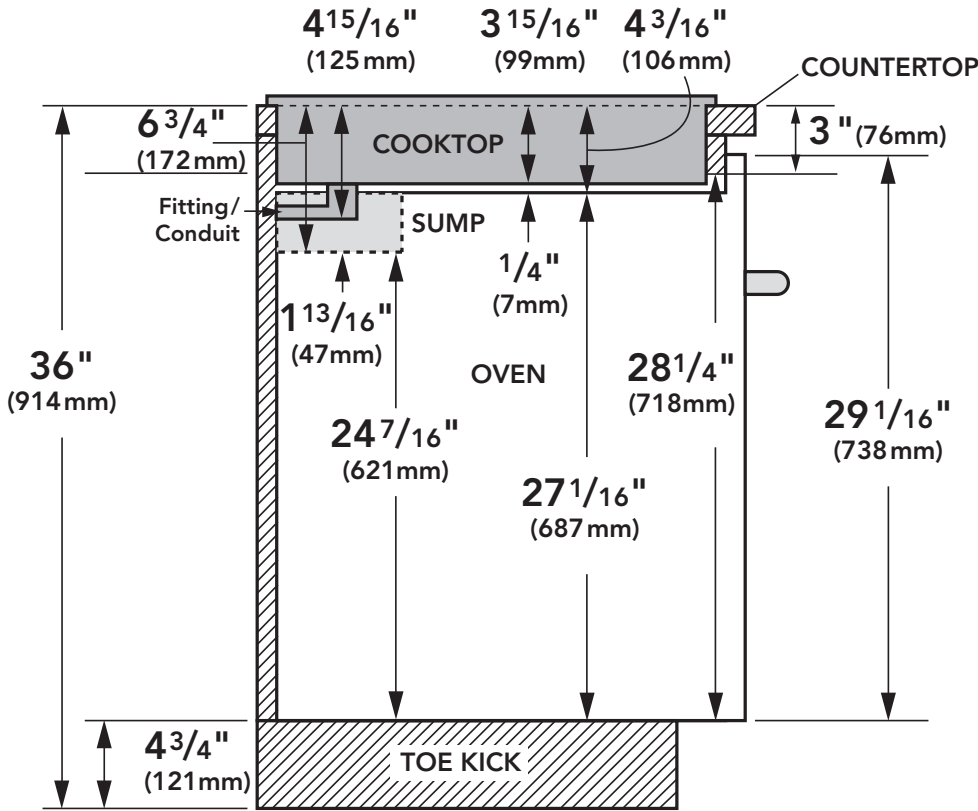
CEM304NS

30-INCH ELECTRIC COOKTOP

MASTERPIECE® SERIES



INSTALLATION ABOVE A THERMADOR BUILT-IN OVEN

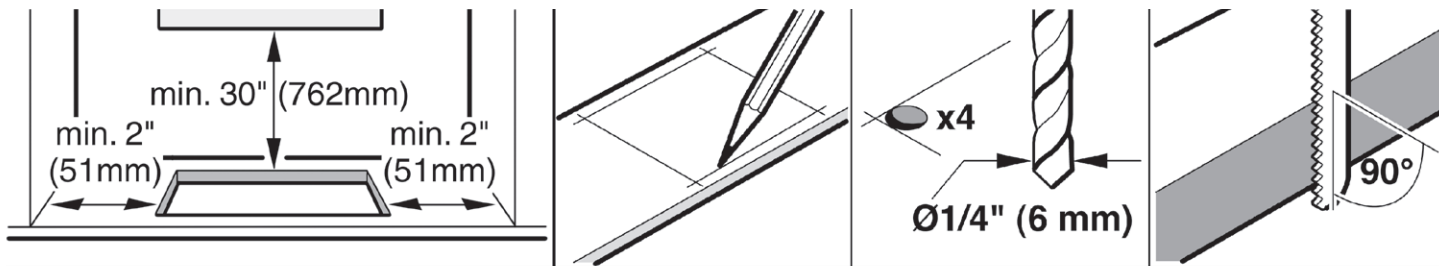


Note: Dimensions based on standard countertop height (36" with 4 3/4" toe kick including base plate).

The built-in oven can be installed below the electric cooktop as long as there is no contact between the bottom of the cooktop and the top of the oven.

Sump applies to 30-inch Wall Ovens only.

COUNTERTOP REQUIREMENTS



These warranties give you specific legal rights and you may have other rights that vary from state to state. Full warranty and limited warranty from date of installation. For complete warranty details, refer to your Use & Care manual, or ask your dealer.

Specifications are for planning purposes only. Refer to installation instructions and consult your countertop supplier prior to making counter opening. Consult with a heating and ventilation engineer for your specific ventilation requirements. For the most detailed information, refer to installation instructions accompanying product or write to Thermador indicating the model number. Specifications are correct at time of printing. Thermador reserves the right to change product specifications or design without notice. Some models are certified for use in Canada. Thermador is not responsible for products that are transported from the U.S. for use in Canada.