

# CET304NS

## 30-INCH ELECTRIC COOKTOP

MASTERPIECE® SERIES



### FEATURES & BENEFITS

- ★ - CookSmart® feature—9 pre-programmed cooking modes
- Triple and dual elements offers the capability to use multiple pan sizes
- Auto Shut-Off Timer enables the user to set desired cooking time
- Keep Warm function allows meals to remain ready to serve
- Touch control panel with blue light illumination offers 17 power settings

### ACCESSORIES (OPTIONAL)



CHEFSPAN08  
10" Stainless Steel Pan



SENSORPOT7  
7" Ceramic Pot with Glass Lid

### GENERAL PROPERTIES

Controls	Touch Controls
----------	----------------

### ELEMENT PERFORMANCE

Power of Front Left Heating Element	1,200 W
Power of Back Left Heating Element	3,080 / 2,200 / 1,050 W
Power of Center Heating Element	N/A
Power of Back Right Heating Element	1,800 W
Power of Front Right Heating Element	1,700 / 700 W

### ELEMENT SIZE

Dimension of Front Left Heating Element	6"
Dimension of Back Left Heating Element	11", 8", 6"
Dimension of Center Heating Element	N/A
Dimension of Back Right Heating Element	7"
Dimension of Front Right Heating Element	7", 5"

### TECHNICAL DETAILS

Watts (W)	7,300 W
Circuit Breaker (A)	30 / 30 A
Volts (V)	240 / 208 V
Frequency (Hz)	60 Hz
Plug Type	No Plug
Conduit	38" Flexible 3-Wire
Energy Source	Electric

### DIMENSIONS & WEIGHT

Overall Appliance Dimensions (HxWxD) (in)	7 <sup>1</sup> / <sub>16</sub> " + 3 15 <sup>1</sup> / <sub>16</sub> " x 31" x 21 1 <sup>1</sup> / <sub>4</sub> "
Required Cutout Size (HxWxD) (in)	3 15 <sup>1</sup> / <sub>16</sub> " x 28 3 <sup>3</sup> / <sub>4</sub> " x 19 7 <sup>7</sup> / <sub>8</sub> "
Minimum Distance From Counter Front (in)	2 1 <sup>1</sup> / <sub>4</sub> "
Minimum Distance From Rear Wall (in)	2 3 <sup>3</sup> / <sub>4</sub> "
Net Weight (lbs)	28 lbs

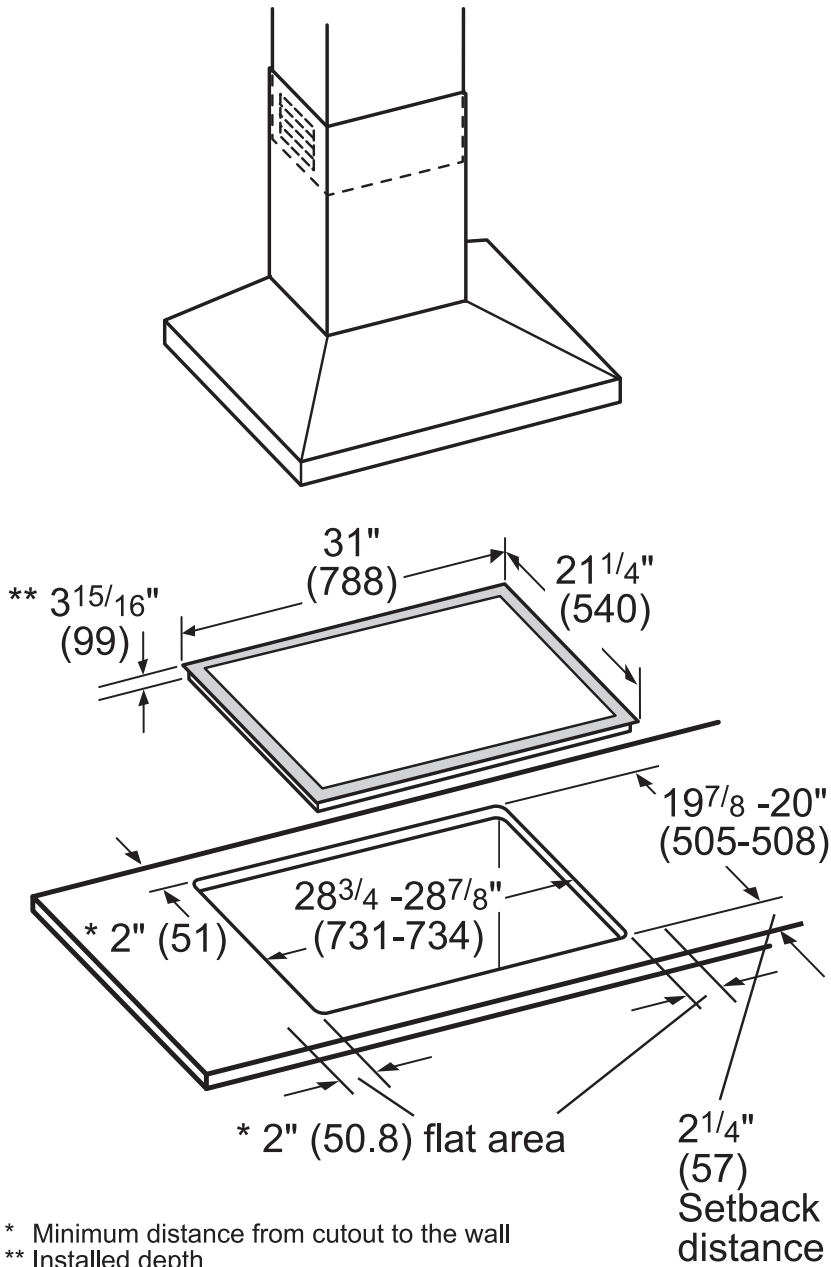
### WARRANTY

Limited Warranty, Entire Appliance, Parts and Labor	2 Year
Limited warranty for glass ceramic surface / electronic elements and switches; parts only	3rd to 5th Year

**CET304NS**  
**30-INCH ELECTRIC COOKTOP**  
 MASTERPIECE® SERIES



**30-INCH ELECTRIC COOKTOP AND CUTOUT DIMENSIONS**

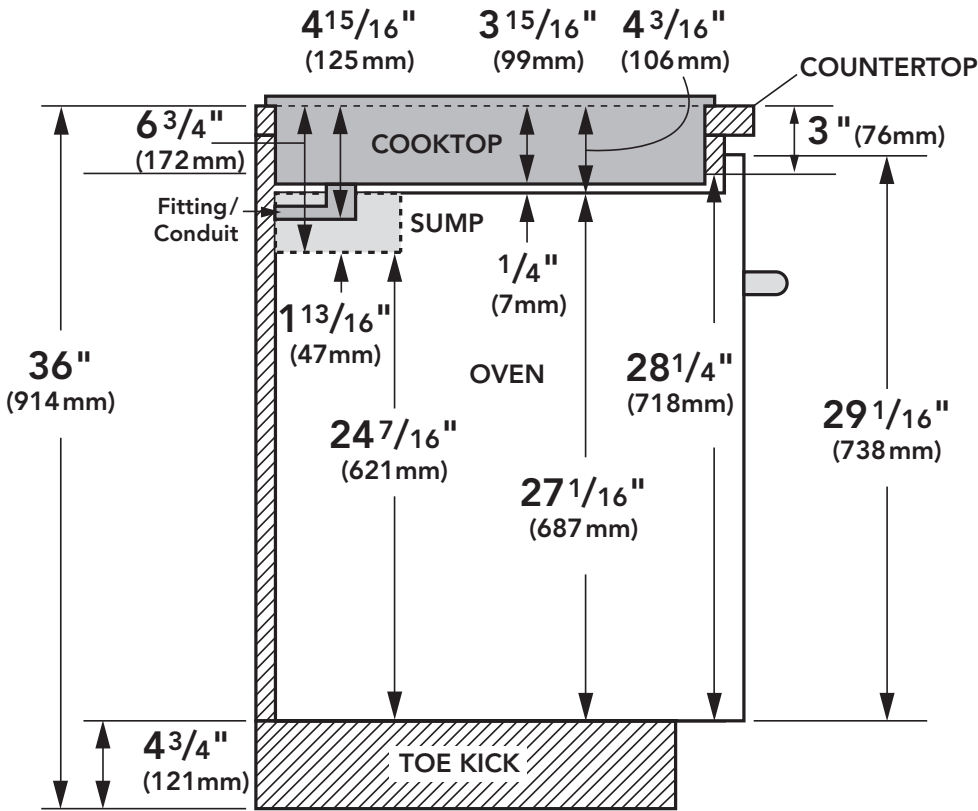


Measurements in inches (mm in brackets)

**CET304NS**  
**30-INCH ELECTRIC COOKTOP**  
**MASTERPIECE® SERIES**



**INSTALLATION ABOVE A THERMADOR BUILT-IN OVEN**

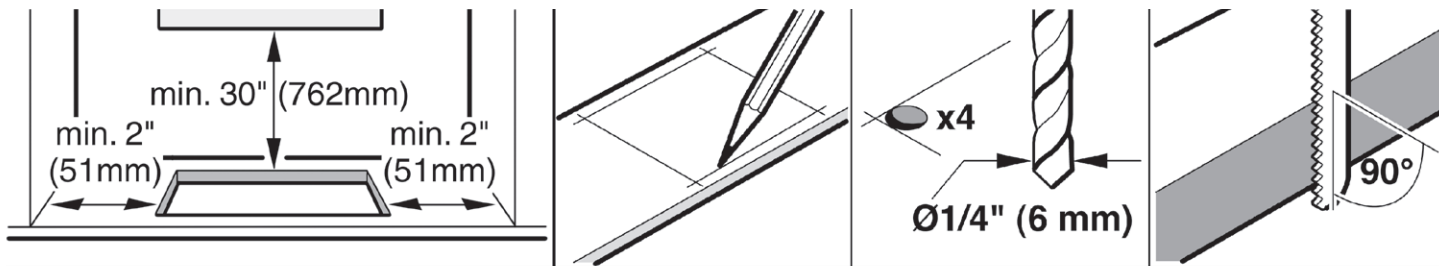


Note: Dimensions based on standard countertop height (36" with 4 3/4" toe kick including base plate).

The built-in oven can be installed below the electric cooktop as long as there is no contact between the bottom of the cooktop and the top of the oven.

Sump applies to 30-inch Wall Ovens only.

**COUNTERTOP REQUIREMENTS**



These warranties give you specific legal rights and you may have other rights that vary from state to state. Full warranty and limited warranty from date of installation. For complete warranty details, refer to your Use & Care manual, or ask your dealer.

Specifications are for planning purposes only. Refer to installation instructions and consult your countertop supplier prior to making counter opening. Consult with a heating and ventilation engineer for your specific ventilation requirements. For the most detailed information, refer to installation instructions accompanying product or write to Thermador indicating the model number. Specifications are correct at time of printing. Thermador reserves the right to change product specifications or design without notice. Some models are certified for use in Canada. Thermador is not responsible for products that are transported from the U.S. for use in Canada.