

36-Inch Masterpiece® Electric Cooktop
CET366TB



Product Features

Innovation

Cooksmart® feature - 4 preset frying levels controlled by a sensor

Performance

Five elements and ten cooking zones provides the space and power for most cookware

Dual zone bridge element connects front and rear elements to accommodate oblong cookware and multiple diameter sizes

Large triple element offers the capability to use multiple pan sizes

Auto shut-off timer enables the user to set desired cooking time

Residual heat indicator shows you what elements are still hot

Wipe protection function allows user to clean the surface of the control panel without risk of changing the settings

Touch control panel with blue light illumination offers 17 power settings

Design

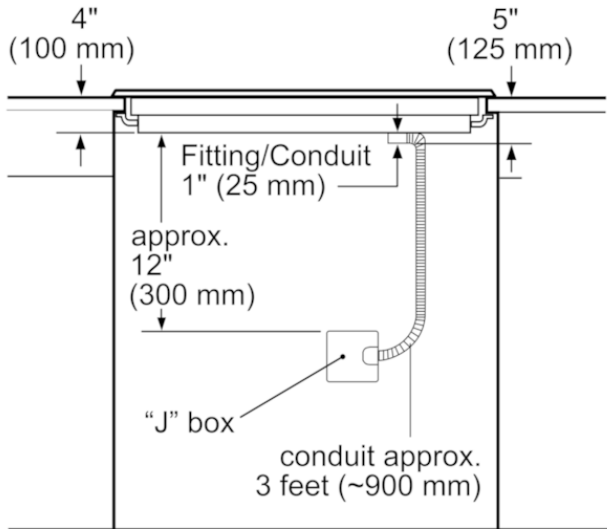
Full stainless steel frame

BSH reserves the absolute and unrestricted right to change product materials and specifications, at any time, without notice. Consult the product's installation instructions for final dimensional data and other details. Applicable product warranty can be found in accompanying product literature (or you may contact your account manager for further details). Notes: All height, width and depth dimensions are shown in inches. *According to AHAM standards. **Please refer to installation instructions prior to making cutout.

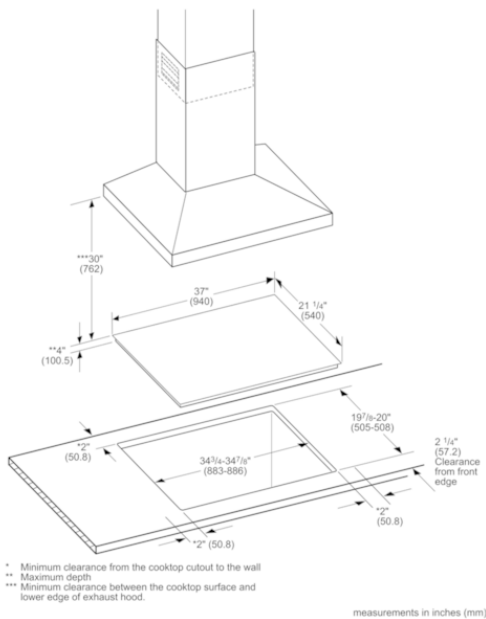
1 800 735 4328 | WWW.THERMADOR.COM | 1901 Main Street, Suite 600 Irvine, CA 92614

©2018 BSH HOME APPLIANCES CORPORATION, ALL RIGHTS RESERVED LITHO DATE: 09/2018

36-Inch Masterpiece® Electric Cooktop
CET366TB



measurement in inches (mm)



Product Features

| | |
|---------------------------------------|-------------|
| Sealed Burners | No |
| Burners with booster | Front right |
| Dimension of 1st heating element (in) | 7" |
| Dimension of 3rd heating element (in) | 5" ; 7" |
| Dimension of 5th heating element (in) | 6" |

Technical Specification

| | |
|---|-----------------------------------|
| UPC code | 825225924876 |
| Variant color | Black |
| Energy source | Electric |
| Watts (W) | 10520 |
| Current (A) | 50/40 |
| Volts (V) | 240/208 |
| Frequency (Hz) | 60 |
| Approval certificates | CSA, CSA |
| Plug type | no plug |
| Minimum distance from counter front (in) | 2 1/4" |
| Minimum distance from rear wall (in) | 2 3/4" |
| Overall appliance dimensions (HxWxD) (in) | 7/16"+3 15/16" x 37" x 21 1/4" |

| | |
|---|-------------------------|
| Product packaging dimensions (HxWxD) (in) | 8 1/4" x 43 5/16" x 24" |
| Net weight (lbs) | 34 |
| Gross weight (lbs) | 43 |
| Total number of cooktop burners | 5 |

BSH reserves the absolute and unrestricted right to change product materials and specifications, at any time, without notice. Consult the product's installation instructions for final dimensional data and other details. Applicable product warranty can be found in accompanying product literature (or you may contact your account manager for further details). Notes: All height, width and depth dimensions are shown in inches. *According to AHAM standards. **Please refer to installation instructions prior to making cutout.

1 800 735 4328 | WWW.THERMADOR.COM | 1901 Main Street, Suite 600 Irvine, CA 92614

©2018 BSH HOME APPLIANCES CORPORATION, ALL RIGHTS RESERVED LITHO DATE: 09/2018