

30" Masterpiece® Series Induction Cooktop

CIT304KBB



CIT304KBB Black

PERFORMANCE

- Speed Heating - Induction cooktops heat 50% faster than traditional gas cooktops
- Large and powerful 11" element with 3600W
- Our Induction PowerBoost™ feature heats cookware faster than any other type of cooking technology.
- Auto Shut Off Timer available for all elements enables user to set desired cooking times. Separate kitchen timer also available.
- Keep Warm function allows meals to remain ready to serve
- Pan Recognition - Element will not turn on if other small objects are placed on the cooking zone
- Anti-Overflow System - exclusive feature prevents spills by automatically shutting off and sounding alarm when liquids are detected on surface
- 2-step digital control panel indicates when elements are hot or very hot
- Child safety Lock

DESIGN

- Frameless design
- Touch control panel with blue light illumination offers 17 power settings
- Angular, modern design coordinates with the suite of Thermador Masterpiece™ Collection appliances
- Trapezoid design control panel

Optional accessories

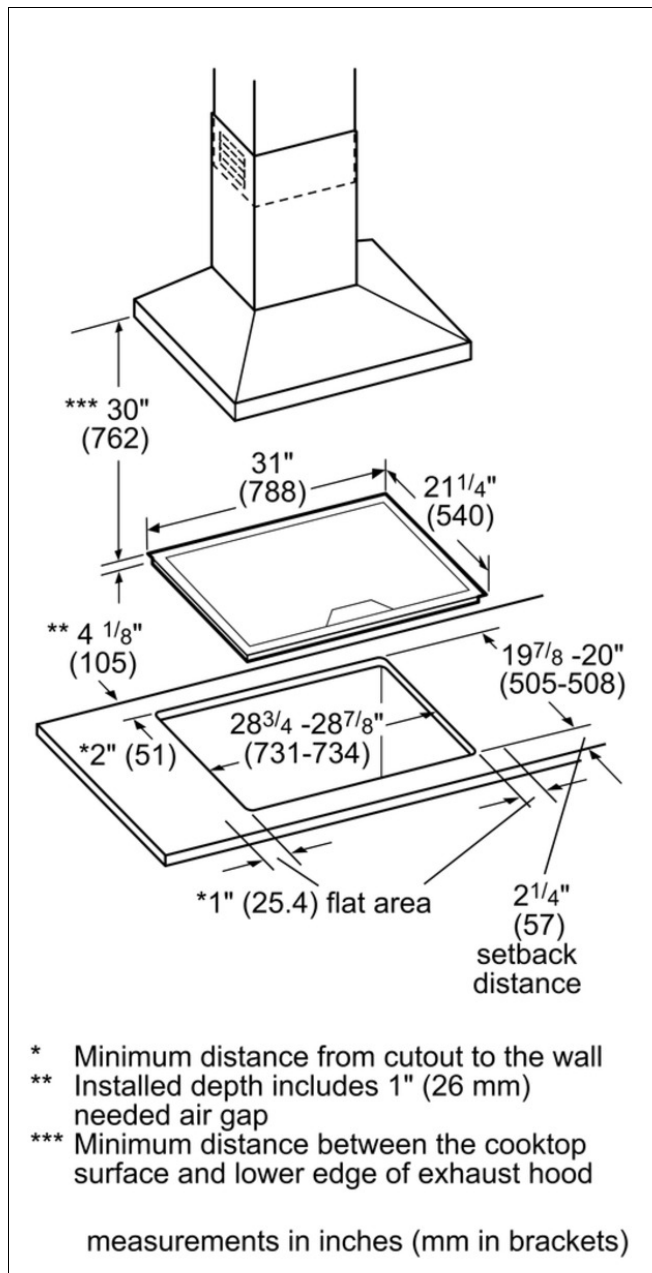
SENSORPOT6 Sensor pot Ø 6"

SENSORPOT7 Sensor pot Ø 7"

SENSORPOTH 6" Inch Skillet with Lid

825225900108

30" Masterpiece® Series Induction Cooktop CIT304KBB



Product Features

Sealed Burners: No

Burners with booster: All

Dimension of 1st heating element (in): 9"

Power of 1st heating element (W): 2.2

Dimension of 2nd heating element (in): 6"

Power of 2nd heating element (W): 1.4

Dimension of 3rd heating element (in): 11"

Power of 3rd heating element (W): 2.4

Dimension of 4th heating element (in): 6"

Power of 4th heating element (W): 1.4

Consumption and connection features

UPC code: 825225900108

Variant color: Black

Energy source: Electric

Gas type:

Alternative gas type:

Watts (W): 7200

Current (A): 40

Volts (V): 208-240

Frequency (Hz): 60; 50

Approval certificates: CSA

Power cord length (in): 37

Power cord length (cm): 96.0

Plug type: no plug

Required cutout size (HxWxD) (in): 3 7/8" x 28 3/4" x 19 7/8"

Required cutout size (HxWxD) (mm): 98 x 731-734 x 508-505

Minimum distance from counter front (in): 2 1/2"

Minimum distance from rear wall (in): 2 3/8"

Overall appliance dimensions (HxWxD) (in): 3/8"+3 7/8" x 31" x 21 1/4"

Overall appliance dimensions (HxWxD) (mm): 108.0 x 788 x 540

Product packaging dimensions (HxWxD) (in): 7 1/16" x 36 5/8" x 26 5/8"

Net weight (lbs): 39

Net weight (kg): 18.000

Gross weight (lbs): 49

Gross weight (kg): 22.000

Total number of cooktop burners: 4

2013-07-12