

# 36" Masterpiece® Series Induction Cooktop

## CIT365KBB



### **CIT365KBB Black**

#### **INNOVATION**

- Largest (13") and most powerful (4600W) round heating element in its class
- Industry exclusive triple zone - accommodates multiple size pans with 3 diameter sizes

#### **PERFORMANCE**

- Speed Heating - Induction cooktops heat 50% faster than traditional gas cooktops
- Our Induction PowerBoost™ feature heats cookware faster than any other type of cooking technology.
- Auto Shut Off Timer available for all elements enables user to set desired cooking times. Separate kitchen timer also available.
- Keep Warm function allows meals to remain ready to serve
- Pan Recognition - Element will not turn on if other small objects are placed on the cooking zone
- Anti-Overflow System - exclusive feature prevents spills by automatically shutting off and sounding alarm when liquids are detected on surface
- 2-step digital control panel indicates when elements are hot or very hot
- Child safety Lock

#### **DESIGN**

- Frameless design
- Touch control panel with blue light illumination offers 17 power settings
- Angular, modern design coordinates with the suite of Thermador Masterpiece™ Collection appliances
- Trapezoid design control panel

#### **Optional accessories**

CHEFSPAN13 Chefspan Ø 13"

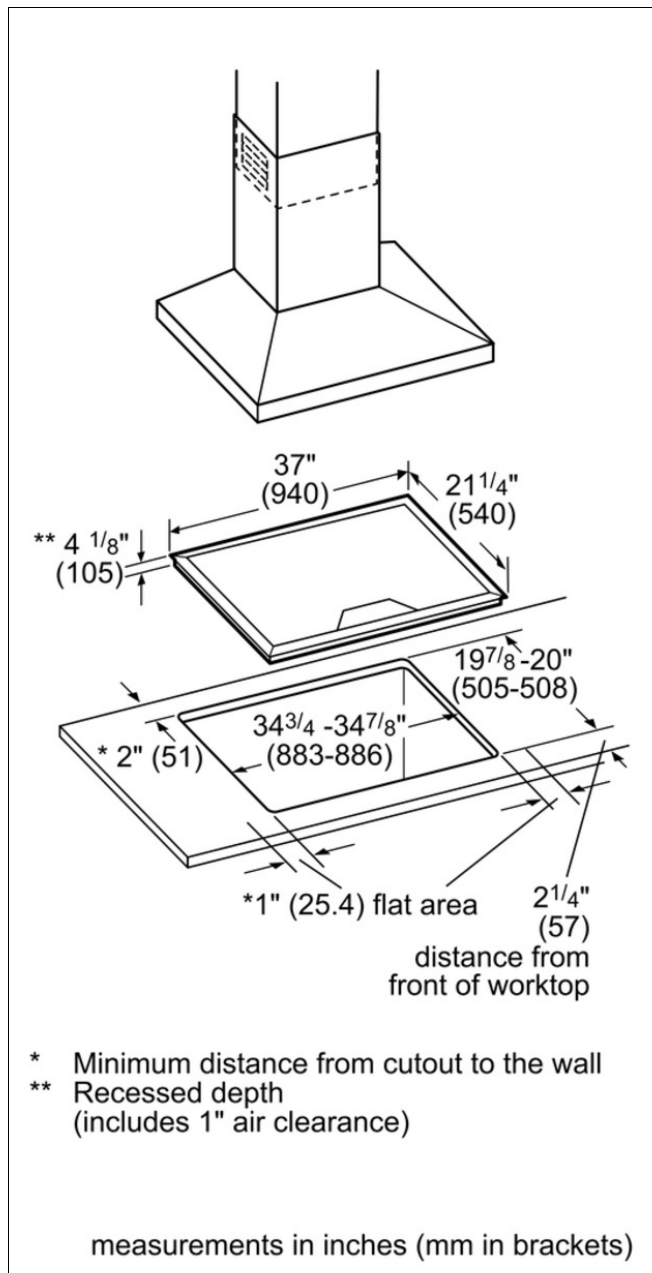
SENSORPOT6 Sensor pot Ø 6"

SENSORPOT7 Sensor pot Ø 7"

SENSORPOTH 6" Inch Skillet with Lid

825225900115

# 36" Masterpiece® Series Induction Cooktop CIT365KBB



## Product Features

- Sealed Burners: No
- Burners with booster: All
- Dimension of 1st heating element (in): 7"
- Power of 1st heating element (W): 1.8
- Dimension of 2nd heating element (in): 7"
- Power of 2nd heating element (W): 1.8
- Dimension of 3rd heating element (in): 11", 13", 9"
- Power of 3rd heating element (W): 2.2 ; 2.6 ; 3.3
- Dimension of 4th heating element (in): 6"
- Power of 4th heating element (W): 1.4

## Consumption and connection features

- UPC code: 825225900115
- Variant color: Black
- Energy source: Electric
- Gas type:
- Alternative gas type:
- Watts (W): 10800
- Current (A): 50
- Volts (V): 208-240
- Frequency (Hz): 60; 50
- Approval certificates: CSA
- Power cord length (in): 37
- Power cord length (cm): 96.0
- Plug type: no plug
- Required cutout size (HxWxD) (in): 3 7/8" x 34 3/4" x 19 7/8"
- Required cutout size (HxWxD) (mm): 98 x 883-886 x 505-508
- Minimum distance from counter front (in): 2 1/2"
- Minimum distance from rear wall (in): 2 3/8"
- Overall appliance dimensions (HxWxD) (in): 3/8"+3 7/8" x 37" x 21 1/4"
- Overall appliance dimensions (HxWxD) (mm): 108.0 x 940 x 540
- Product packaging dimensions (HxWxD) (in): 7 1/16" x 42 1/8" x 26 3/4"
- Net weight (lbs): 51
- Net weight (kg): 23.000
- Gross weight (lbs): 61
- Gross weight (kg): 28.000
- Total number of cooktop burners: 5

2013-07-12