

30" Masterpiece® Series Combination Oven (oven and convection microwave)

MEDMC301JS



MEDMC301JS Stainless steel

INNOVATION

- NEW The only SoftClose® door on the market. Thermador exclusive feature
- Massive Capacity - Largest oven cavity at 4.7 cu.ft. (AHAM)
- Fastest preheat in the luxury segment (around 7 minutes). Thermador exclusive feature
- Superfast 2-hour self clean mode - fastest on the market. Thermador exclusive feature

PERFORMANCE

- True Convection offers precise airflow for cooking on multiple levels without flavor transfer
- NEW 2 Full Access® telescopic racks hold up to 45 pounds each, integrated easy grip handle
- No preheat needed. Industry leading Speed Convection system reduces cooking time by 30%
- CookControl™ temperature probe
- EasyCook offers 20 pre-programmed recipes
- Powerful halogen light with automatic dimming
- 10-pass recessed broil element with 3,500 Watt
- 14 advanced cooking modes
- Advanced culinary modes - Warm, Proof and Dehydrate
- Fast Preheat available for 5 cooking modes
- Large oven door window for maximum viewing
- Timer offers automatic delay start mode
- Hidden bake element for easy cleaning
- Digital indicator shows progress of preheat cycle
- Six adjustable rack levels for multiple item cooking
- NEW Star-K certified

DESIGN

- NEW Side strips, manifold and exhaust baffle now in bold stainless steel design
- Modern angular design
- Premium glass touch control
- Striking blue full text display
- See MCES for Microwave feature

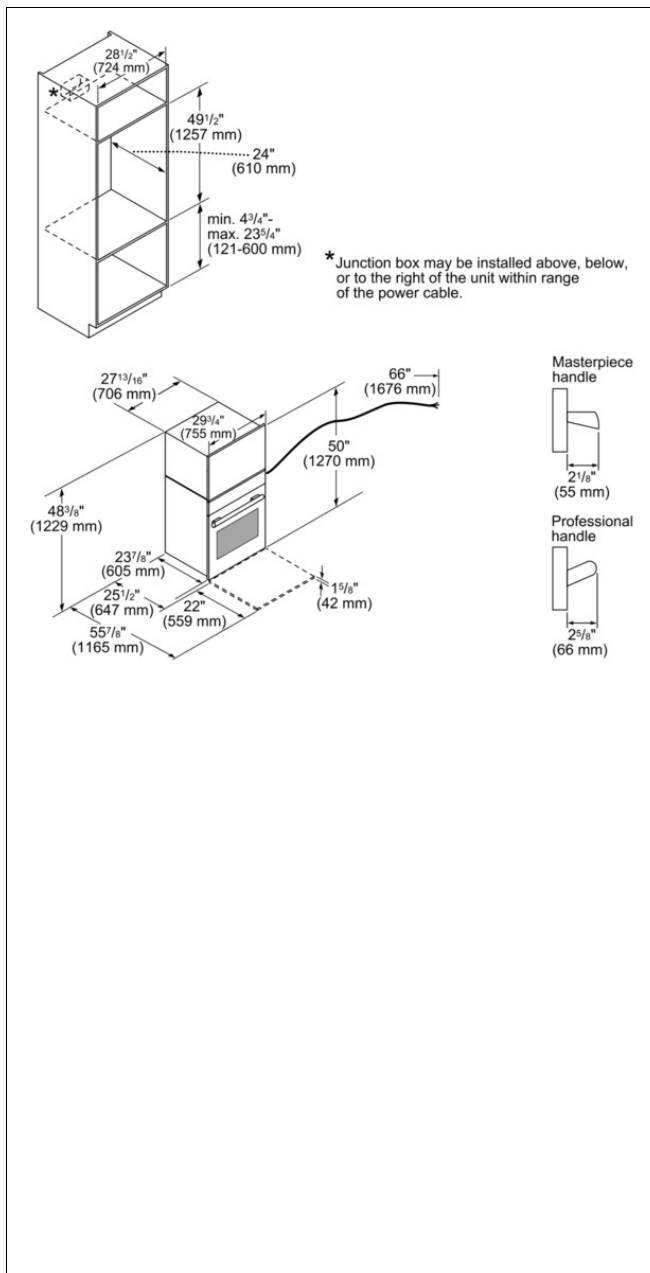
Optional accessories

TLSCPRCK30 Telescopic Oven Rack 30"

825225900146

30" Masterpiece® Series Combination Oven (oven and convection microwave)

MEDMC301JS



Product Features

Cooking method first cavity: Microwave, True Convection
 Cooking method second cavity: Bake, Broil, Convection Bake, Convection Broil, Convection Roast, Dehydrate, Pizza, Proof, Speed Convection, Top heating, 1/3 bottom heat., True Convection, Warm
 Cleaning system - cavity 1: Self Clean
 Number of interior lights: 1
 Included accessories: 3 x Oven racks /lower, 1 x Broiler pan /lower, 1 x Temperature probe /lower
 Bake Element Wattages cavity 1 (W): 0
 Convection Element Wattages cavity 1 (W): 1400
 Microwave Wattages (W): 1000

Consumption and connection features

UPC code: 825225900146
 Product color: Stainless steel
 Alternative colors available:
 Energy source: Electric
 Watts (W): 10200
 Current (A): 50
 Volts (V): 240/208
 Frequency (Hz): 60
 Approval certificates: CSA, STAR-K
 Power cord length (in): 66"
 Power cord length (cm): 167.6
 Appliance Dimensions (h x w x d) (cm): 127.0 x 75.5 x 60.6
 Required cutout size (HxWxD) (in): 49 1/2" x 28 1/2" x 24"
 Overall appliance dimensions (HxWxD) (in): 50" x 29 3/4" x 23 7/8"
 Overall appliance dimensions (HxWxD) (mm): 1270 x 755 x 606
 Product packaging dimensions (HxWxD) (in): 56 3/4" x 34" x 31"
 Net weight (lbs): 250
 Net weight (kg): 114.000
 Gross weight (lbs): 287
 Gross weight (kg): 130.000

2013-07-12