

# MEDMCW31JP 30-INCH TRIPLE COMBINATION BUILT-IN OVEN

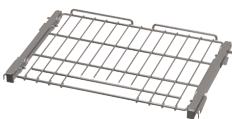
MASTERPIECE® SERIES WITH PROFESSIONAL HANDLE



## FEATURES & BENEFITS

- ★ - SoftClose® door ensures ultra smooth closing of the oven door
- ★ - Fastest preheat in the luxury segment (around 7 minutes)
- ★ - Superfast 2-hour self clean mode-fastest on the market
  - 2 Full Access® telescopic racks
  - No preheat Speed Convection mode

## ACCESSORIES (OPTIONAL)



TLSCPCK30  
30-Inch Oven Telescopic Rack

\* Valid for wall oven and warming drawer

★ THERMADOR EXCLUSIVE

## GENERAL PROPERTIES

Modes – Upper Cavity	See MCES for Microwave Features
Modes – Lower Cavity	(18) Bake, Roast, True Convection, Convection Bake, Convection Roast, No Preheat Speed Convection, Warm, EasyCook®, Broil, Convection Broil, Pizza, Proof, Dehydrate, Cook Control™ Probe, Self Clean, Sabbath, Favorites, Fast Preheat
Warming Drawer	See WD30JS for all Warming Drawer Details
Cleaning Type – Lower Cavity	Self Clean
Telescopic Rack(s)	2
Illumination Type – Upper & Lower Cavity	Halogen with SoftLight Function
Interior Lights – Upper & Lower Cavity	1 / 3

## OVEN PERFORMANCE

Microwave Power	1,000 W
Bake / Broil Element Wattages – Lower Cavity	2,000 / 3,600 W
Convection Element Wattages – Lower Cavity	2,000 W
Warming Drawer Wattage	450 W

## TECHNICAL DETAILS

Watts (W)	10,500 W
Circuit Breaker (A)	50 A
Volts (V); Frequency (Hz)	240 / 208 V; 60 Hz
Plug Type	Fixed Connection, No Plug
Conduit	66" Flexible 4-Wire
Energy Source	Electric

## DIMENSIONS & WEIGHT

Overall Appliance Dimensions (HxWxD) (in)	61 3/8" x 29 3/4" x 23 7/8"
Required Cutout Size (HxWxD) (in)	60 3/4" x 28 1/2" x 24"
Microwave Cavity Size (cu. ft.)	1.5 cu. ft.
Oven Cavity Size – Upper / Lower Cavity (cu. ft.)	4.7 cu. ft.
Warming Drawer Cavity Size (cu. ft.)	2.6 cu. ft.
Overall Oven Interior Dimensions (HxWxD) (in)	17 7/8" x 25" x 17 7/8"
Usable Oven Interior Dimensions (HxWxD) (in)	12 3/4" x 22 3/4" x 17 1/4"
Net Weight (lbs)	324 lbs

## ACCESSORIES (INCLUDED)

Upper Cavity: 1 Oven Rack, 1 Ceramic Glass Tray, 1 Roller Ring Lower Cavity: 2 Telescopic and 1 Standard Oven Rack, Temperature Probe, Broiler Pan

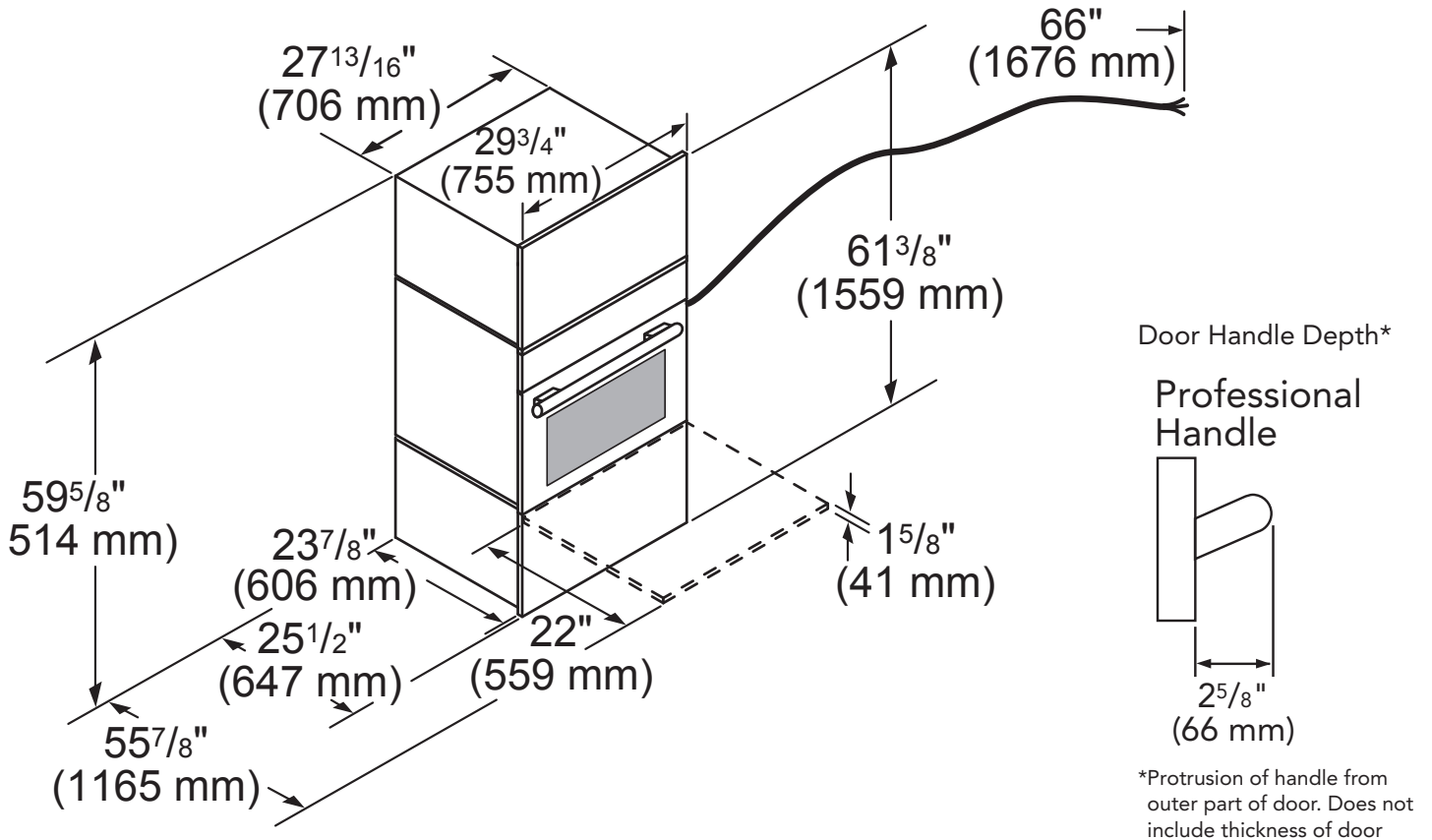
## WARRANTY

Limited Warranty Parts and Labor	2 Year
----------------------------------	--------

**MEDMCW31JP**  
**30-INCH TRIPLE COMBINATION BUILT-IN OVEN**  
 MASTERPIECE® SERIES WITH PROFESSIONAL HANDLE



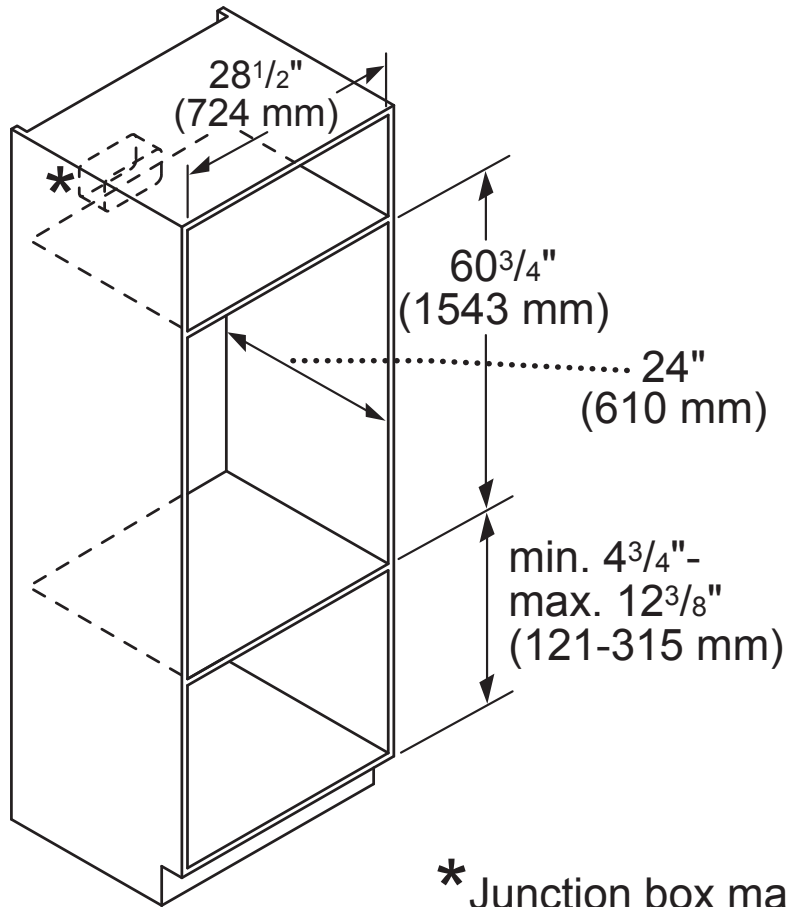
**30-INCH TRIPLE COMBINATION OVEN WITH MICROWAVE AND WARMING DRAWER**



**MEDMCW31JP**  
**30-INCH TRIPLE COMBINATION BUILT-IN OVEN**  
MASTERPIECE® SERIES WITH PROFESSIONAL HANDLE



**30-INCH TRIPLE COMBINATION OVEN WITH MICROWAVE AND WARMING DRAWER**



\* Junction box may be installed above, or to the right of the unit within range of the power cable.

These warranties give you specific legal rights and you may have other rights that vary from state to state. Full warranty and limited warranty from date of installation. For complete warranty details, refer to your Use & Care manual, or ask your dealer.

Specifications are for planning purposes only. Refer to installation instructions and consult your countertop supplier prior to making counter opening. Consult with a heating and ventilation engineer for your specific ventilation requirements. For the most detailed information, refer to installation instructions accompanying product or write to Thermador indicating the model number. Specifications are correct at time of printing. Thermador reserves the right to change product specifications or design without notice. Some models are certified for use in Canada. Thermador is not responsible for products that are transported from the U.S. for use in Canada.