

30" Masterpiece® Series Triple Oven (oven, convection microwave and warming drawer) with professional handle MEDMCW31JP



MEDMCW31JP Stainless steel

INNOVATION

- NEW The only SoftClose® door on the market. Thermador exclusive feature
- Massive Capacity - Largest oven cavity at 4.7 cu.ft. (AHAM)
- Fastest preheat in the luxury segment (around 7 minutes). Thermador exclusive feature
- Superfast 2-hour self clean mode - fastest on the market. Thermador exclusive feature

PERFORMANCE

- True Convection offers precise airflow for cooking on multiple levels without flavor transfer
- NEW 2 Full Access® telescopic racks hold up to 45 pounds each, integrated easy grip handle
- No preheat needed. Industry leading Speed Convection system reduces cooking time by 30%
- CookControl™ temperature probe
- EasyCook offers 20 pre-programmed recipes
- Powerful halogen light with automatic dimming
- 10-pass recessed broil element with 3,500 Watt
- 14 advanced cooking modes
- Advanced culinary modes - Warm, Proof and Dehydrate
- Fast Preheat available for 5 cooking modes
- Large oven door window for maximum viewing
- Timer offers automatic delay start mode
- Hidden bake element for easy cleaning
- Digital indicator shows progress of preheat cycle
- Six adjustable rack levels for multiple item cooking
- NEW Star-K certified

DESIGN

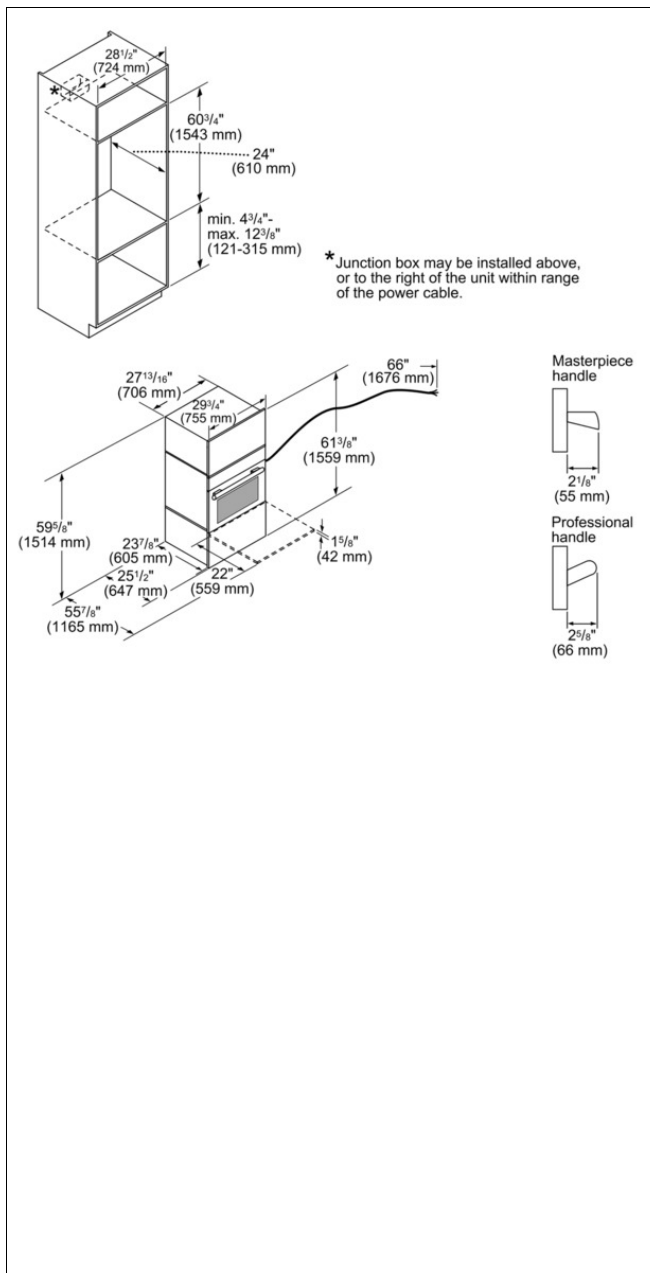
- NEW Side strips, manifold and exhaust baffle now in bold stainless steel design
- Professional style handle
- Modern angular design
- Premium glass touch control
- Striking blue full text display
- See MCES for Microwave feature
- See WD30JS for Warming Drawer feature

Optional accessories

TLSCPRCK30 Telescopic Oven Rack 30"

30" Masterpiece® Series Triple Oven (oven, convection microwave and warming drawer) with professional handle

MEDMCW31JP



Product Features

- Cooking method first cavity: Microwave, True Convection
- Cooking method second cavity: Bake, Broil, Convection Bake, Convection Broil, Convection Roast, Dehydrate, Pizza, Proof, Speed Convection, Top heating, 1/3 bottom heat., True Convection, Warm
- Cleaning system - cavity 2: Self Clean
- Number of interior lights: 1
- Number of interior lights, cavity 2: 3
- Telescopic rack: 2-level, full extension
- Electronic timer: programmable
- Included accessories: 3 x Oven racks /upper, 1 x Broiler pan /upper, 1 x Temperature probe /upper
- Bake Element Wattages cavity 2 (W): 2000
- Broil Element Wattages cavity 2 (W): 3600
- Convection Element Wattages cavity 2 (W): 2000
- Microwave Wattages (W): 1000
- Drawer wattage (W): 450

Consumption and connection features

- UPC code: 825225900184
- Product color: Stainless steel
- Alternative colors available:
- Energy source: Electric
- Watts (W): 10500
- Current (A): 50
- Volts (V): 240/208
- Frequency (Hz): 60
- Approval certificates: CSA, STAR-K
- Power cord length (in): 66"
- Plug type: fixed connection, no plug
- Required cutout size (HxWxD) (in): 60 3/4" x 28 1/2" x 24"
- Maximum height for installation (mm): 1543
- Maximum width for installation (mm): 724
- Depth for installation (mm): 610
- Overall appliance dimensions (HxWxD) (in): 61 3/8" x 29 3/4" x 23 7/8"
- Product packaging dimensions (HxWxD) (in): 68 1/2" x 34" x 31"
- Appliance Dimensions (h x w x d) (cm): 155.9 x 75.5 x 60.6
- Dimensions of the packed product (cm): 173.99 x 86.36 x 78.74
- Net weight (lbs): 324
- Gross weight (lbs): 364
- Net weight (kg): 147.00
- Gross weight (kg): 165.000

2013-07-12